

# Guidelines

FAILURE TO FOLLOW THESE WARNINGS  
WHEN IN USE COULD RESULT IN INJURY

- Do not stand on the item or use as a step ladder
- Do not use this item unless all bolts and screws are firmly secured and fastened.
- Check all bolts and screws every 90 days. As necessary tighten if any are loose.
- Lift up then move. Pushing over or dragging this product can result in an injury or cause damage to the floor and piece.

# **WARNING:**

DO NOT LET CHILDREN PLAY IN OR AROUND THE UNIT DUE TO THE POSSIBLE RISK OF INJURY.

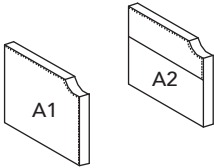
## **Pre-Assembly Preparation:**

Please read through this instruction booklet before beginning assembly of this item.

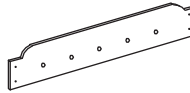
## **Two adults are recommended for assembly.**

- Clear out the space for assembly and lay out all parts on Parts List, extra room will allow you to easily determine if all the pieces are present.
- Save all packing materials until assembly is complete to avoid accidentally discarding smaller parts or hardware.
- Keep small parts and pieces away from children and pets until fully assembled.
- Please check for any loose screws and tighten them before you use.

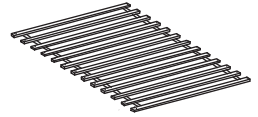
# Parts List



(A) Arm (2)



(B) Back Panel (1)



(C) Slat 13 Pcs (1)



(D) Front Side Rail [PU] (1)



(E) Back Side Rail (1)



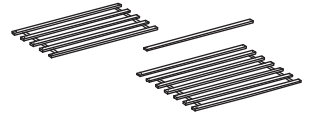
(F) Trundle Front Panel [PU] (1)



(G) Trundle Back Panel (1)



(H) Trundle Side Panel (2)



(I) Slat 13 Pcs (1)



(J) Wooden Block (4)

# Parts List



1 M5x70mm (1)



2 M5x65mm (1)



3 CSK M4x32mm (64)



4 CSK M4x16mm (24)



5 JCBC M6x50 (4)



6 Spring Washer (4)



7 Flat Washer (4)



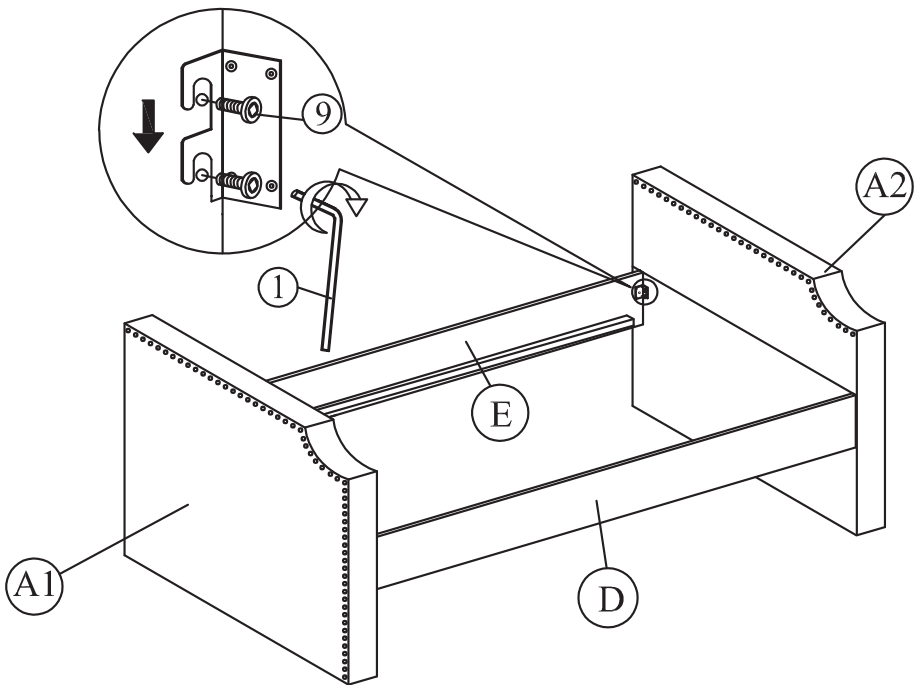
8 Roller (6)



9 JCBB M8x20 (8)

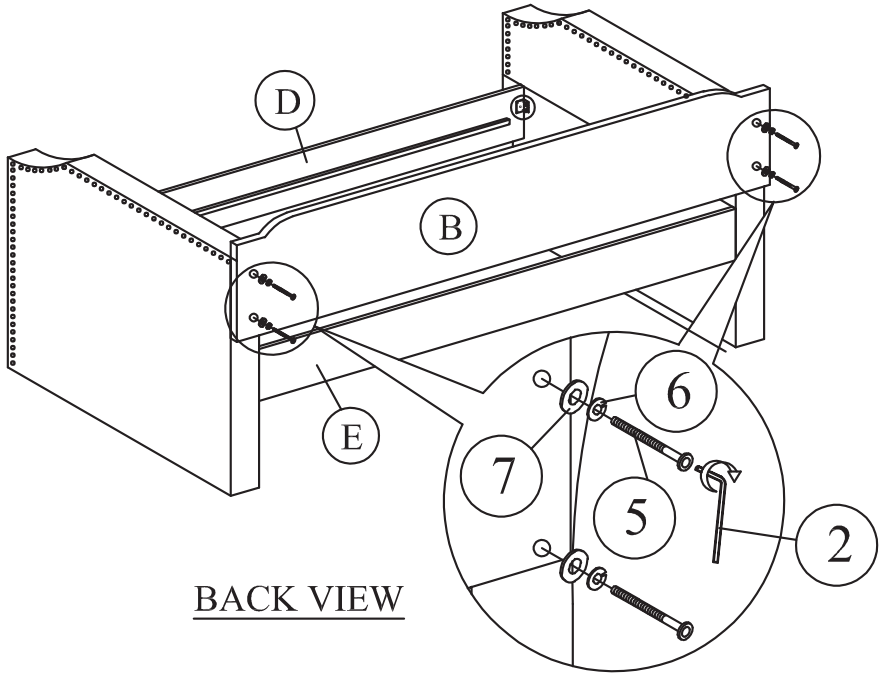
# Step 1

Attach the side rails (D) and (E) to the arm by pushing down on the bracket. Use M8 x 20 screws to secure the side rails to the arms and tighten with the M5 x 70mm Allen key (1).



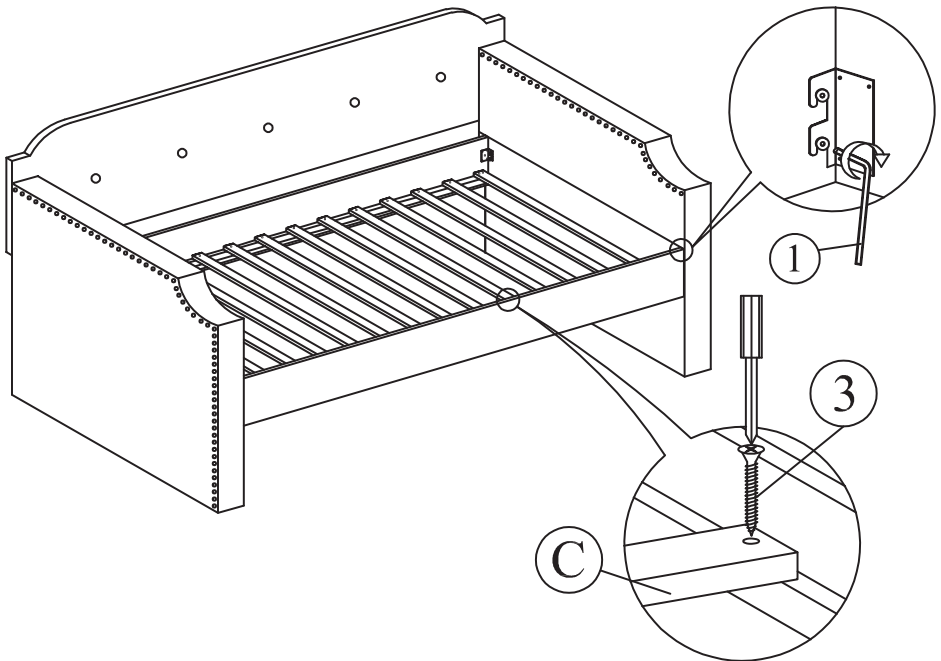
## Step 2

Attach the back panel (B) to the arms (A) as shown using M6 x 50 screws (5), spring washers (6) and flat washers (7). Tighten the screws by using the M6 x 70mm Allen key.



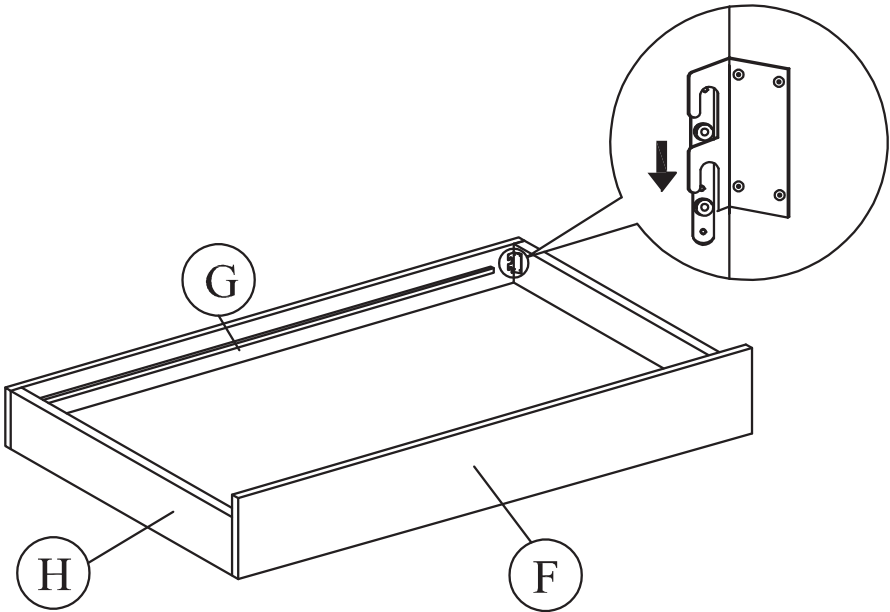
## Step 3

Tighten the four corners by using the M6 x 70mm Allen key (1). Install the slats (C) to the side rail and tighten with the CSK screw (3). The distance of the slats is designed for desirable bed stability.



## Step 4

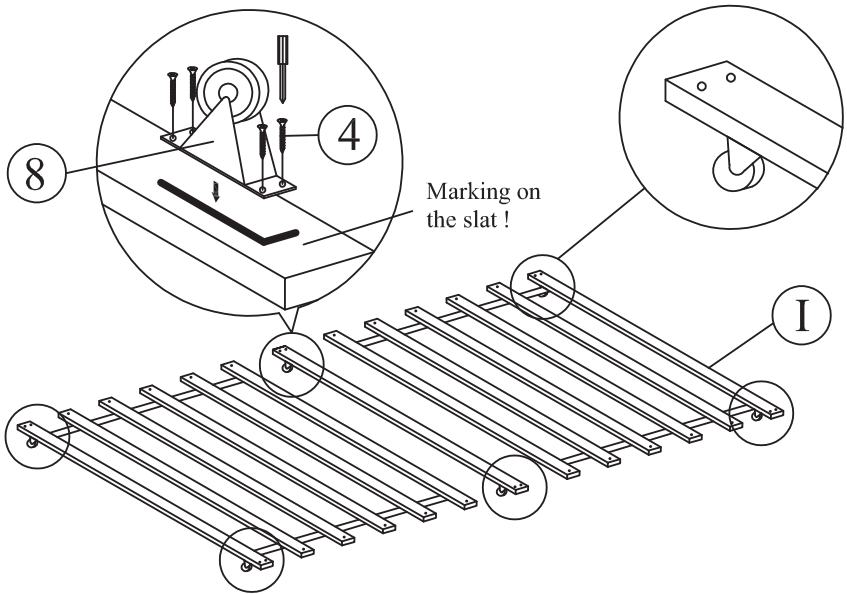
Attach the trundle side panel (H) and trundle front panel (F) to the trundle back panel (G) by pushing the bracket down for a secure fit.





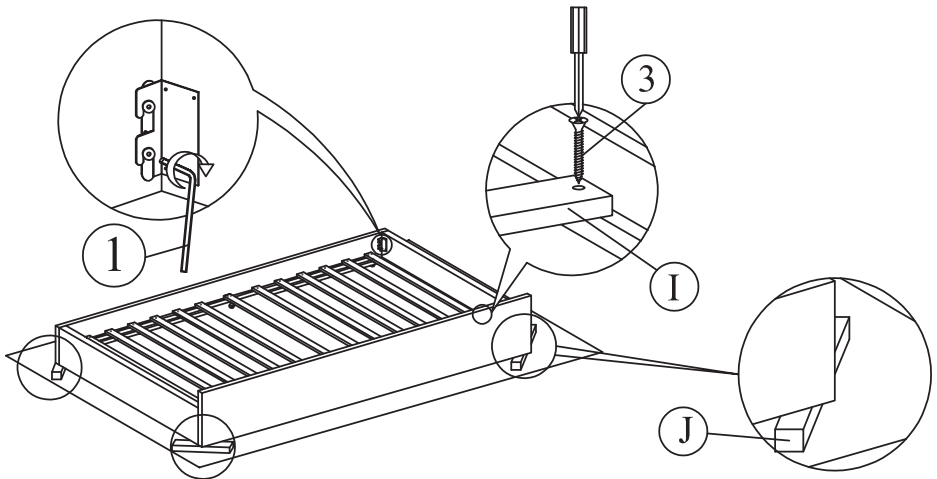
# Step 5

Attach the rollers (8) to the slats (I). Follow the markings on the slat and secure the rollers by using M4 x 16mm screws.



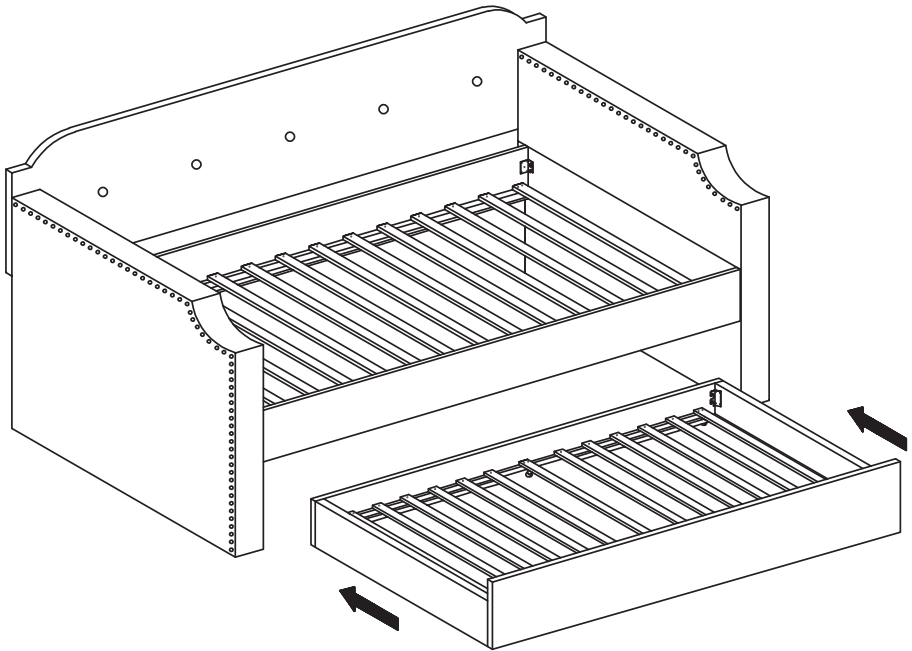
## Step 6

Place the wooden blocks (J) at the corner of the trundle and attach the slats (I) to the side rails (E) and (F) using CSK M4 x 32mm screws.

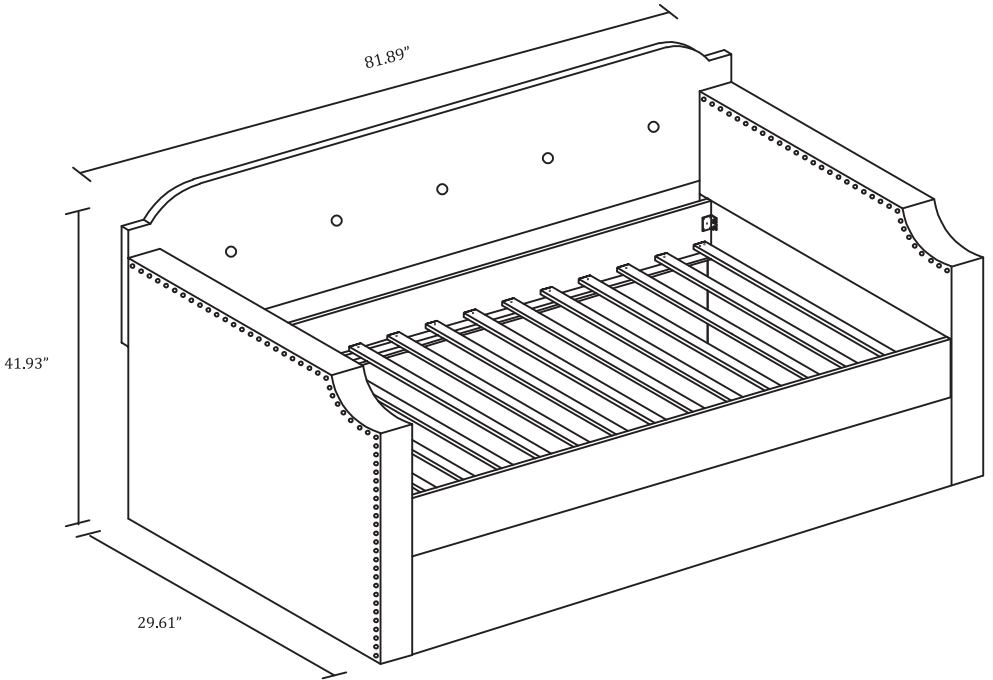


# Step 7

Assembly is complete.



# Product Dimension



# Limited Warranty

The products are warranted against defects in material and workmanship while owned by the "Original Purchaser". The term "Original Purchaser" is defined as the party or entity which purchases this furniture from an authorized retailer as shown by the original sales receipt. This warranty does not apply to "as is" or previously owned products.

The warrants its products to be free from defects in materials and workmanship (normal wear and tear, fading and stretching excepted), for one year from the date of purchase, except as provided below under the limited warranty. The exceptions or exclusions to this warranty are as follows:

1. Any warranty claim that is submitted after the limited warranty period, or without proper proof of purchase will not include the cost of parts, labor, or delivery.
2. This warranty shall not apply to the products which have been subjected to misuse, neglect, alteration, modification, or attachments, either caused by the Original Purchaser, shipping, storage, accident, fire, flood, or acts of God.

In the event of a defect in material or workmanship covered by this warranty, We will repair or replace, at their discretion, without charge the warranted parts within a reasonable amount of time. We reserve the right to require damaged parts be returned to us upon request. Natural markings such as scars, brands, grain variations, wrinkles, color variations, etc. will be considered normal characteristics and not construed as defects.

For claims or questions concerning this warranty, please contact customer service department. Be prepared to provide your name, address, daytime phone number, the model and purchase order number of the product, date of purchase, and the website where it was purchased. We requires that the original sales receipt be submitted with all requests to confirm that you are the Original Purchaser according to our written warranty.

This warranty gives you specific rights, and you may also have other rights, which vary from state to state (or country to country). All warranties are limited to the Original Purchaser for normal use.