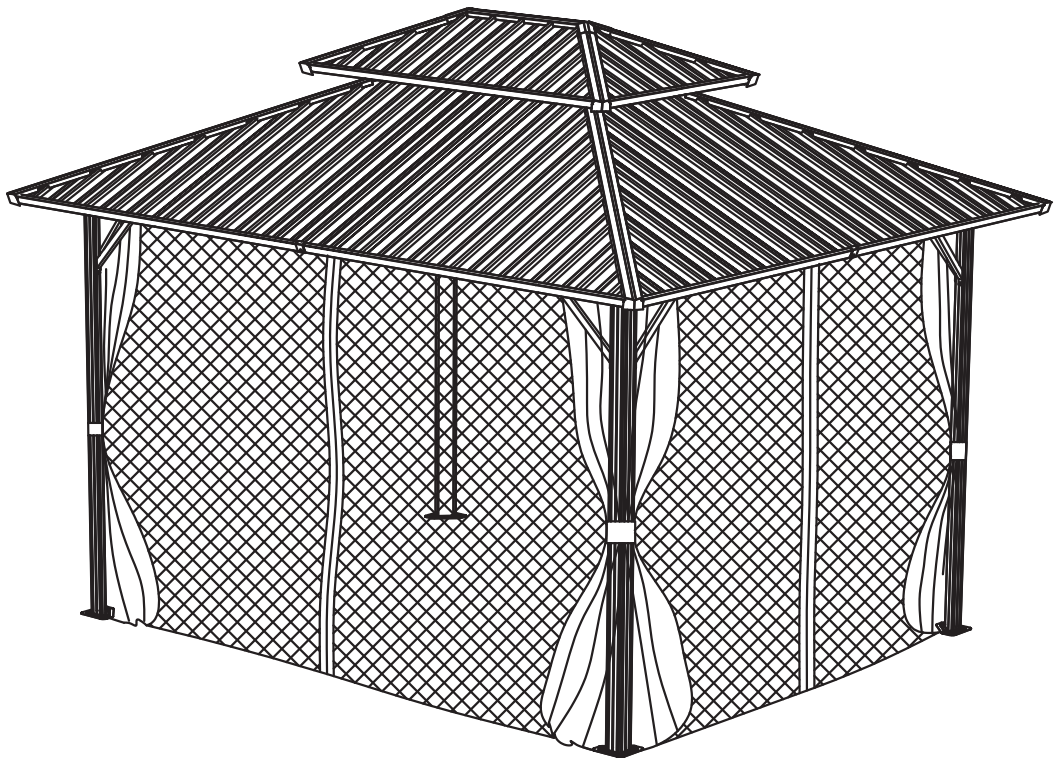


OWNER'S MANUAL

Hardtop Gazebo



Contact Us

If you have any questions,
Please contact customer service.

Email: support@seehill.com

Tel: (720)850-6385

SAFETY PRECAUTIONS

WARNING



Please read and understand this entire manual before attempting to assemble or install the product.



Some parts may have sharp edges. Please wear protective gloves when assemble or install the product.



Assemble the item on a soft, non-abrasive surface to avoid damage, such as carpeting.



Keep all the children and pets away from assembly area. Children and pets should be supervised when they are in the area of the dining set construction.

CAUTION

- ★ Please do not exceed the weight limitations of this item.
 - ★ Firmly secure all bolts, screws and knobs before use. Reconfirm that all bolts, screws, and knobs are secure every 90 days.
 - ★ Do not use or store this item in the proximity of open flame or flammable/combustible chemicals.
 - ★ If any parts are missing, broken, damaged, or worn, stop using this product until repairs are made and/or factory replacement parts are installed.
-

ATTENTION

- ★ Check every part with the part list before assembly. If any part is missing or damaged, do not attempt to assemble the product and contact us immediately.
 - ★ We care about every customer's experience. Please feel free to contact us if you have any advice. We will offer you efficient solutions ASAP.
 - ★ We recommend you to use waterproof furniture cover for the entire patio dining set when out of use to keep them longer performance.
 - ★ You could adjust the foot leveler to keep table or chair in balance.
-

WARRANTY COVERAGE REQUIREMENTS

- ★ Pictures of the damaged parts. The order number of your product.
 - ★ Please gather all of this information BEFORE you contact us.
 - ★ Do not use this item in a way inconsistent with the manufacturer's instructions as this could void the product warranty.
-

Email :
support@seehill.com

PRODUCT WARRANTY INSTRUCTION



Free Warranty Period:

The free warranty period starts from the product receipt date and lasts one year.



Coverage during the Free Warranty Period:

1. If any components of the purchased product are damaged due to non-human-induced reasons natural wear and tear excluded , corresponding new parts will be replaced free of charge.

2. If the entire purchased product is damaged due to non-human-induced reasons natural wear and tear excluded and cannot be further used, corresponding parts or a brand-new product will be replaced free of charge.



Coverage after the Free Warranty Period:

After the warranty period expires, replacement components will be provided to customers at cost price for continued service.



Additional Services:

After purchasing the product, customers can consult our staff for any product-related inquiries.



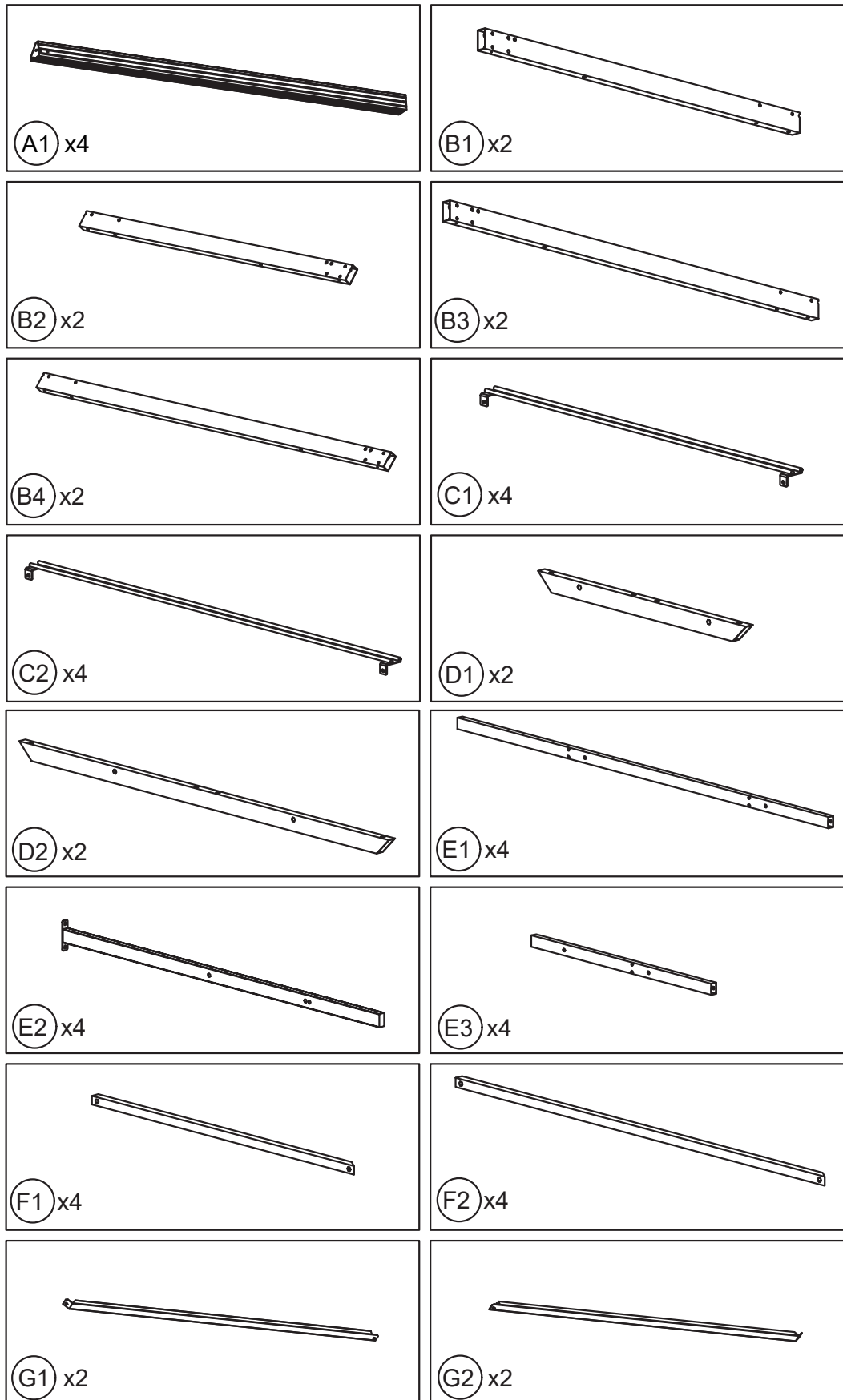
Contact Email :

support@seehill.com

ACCESSORIES DISPLAY

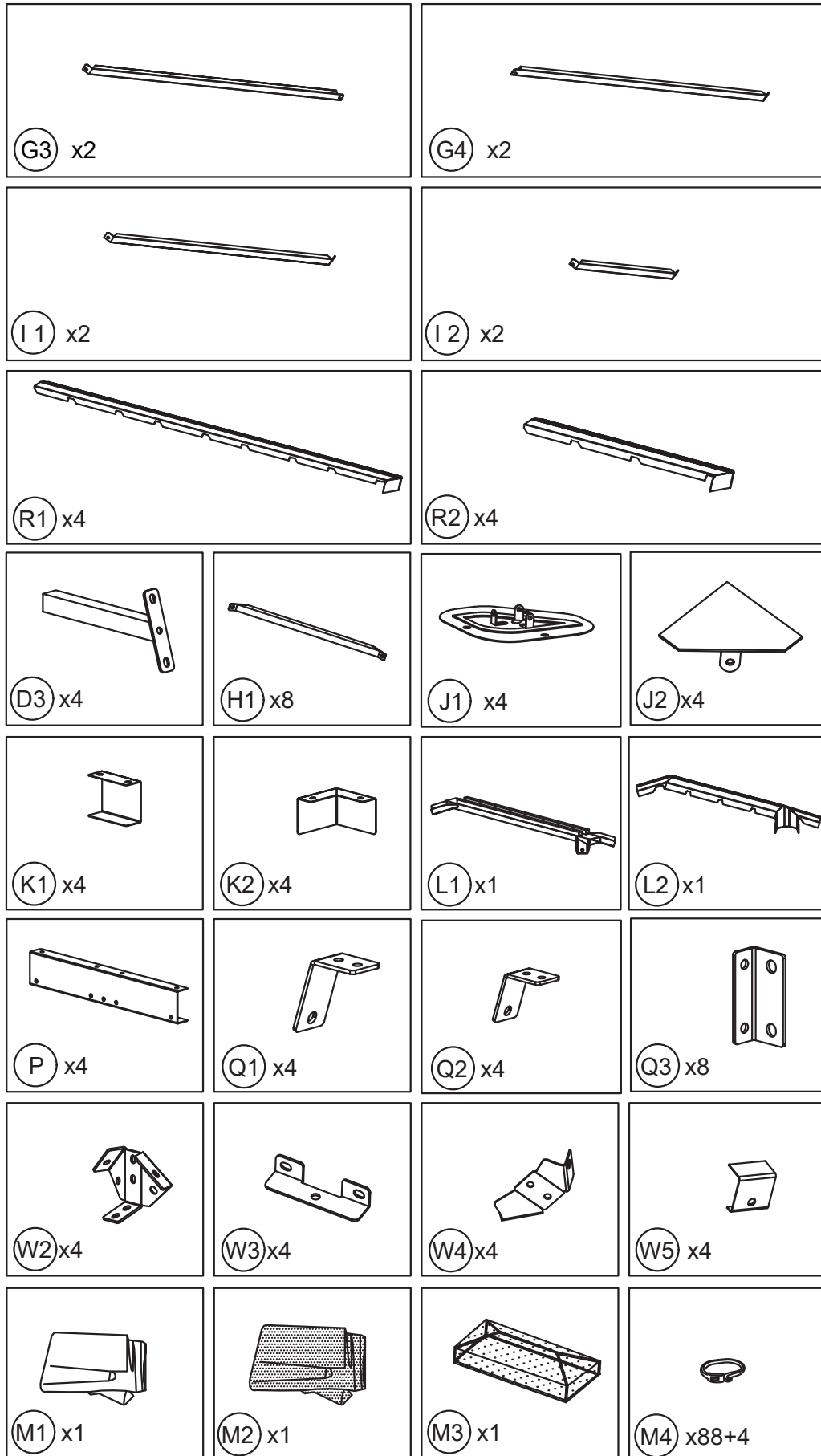
Part List

KWAP301











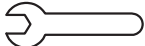



PRODUCT ASSEMBLY

STEP 1



PRODUCT ASSEMBLY

STEP 2

 M6x15 (X1) x248+4	 M5*10 (X2) x8+1	 M6x40 (X3) x16+1	 M6x40 (X4) x16+1
 M6x25 (X5) x4+1	 M6x45 (X6) x12+2	 M6x55 (X7) x2	 (S1) x1
 (S2) x1	 (S3) x1	 (S4) x12	 (S5) x 1

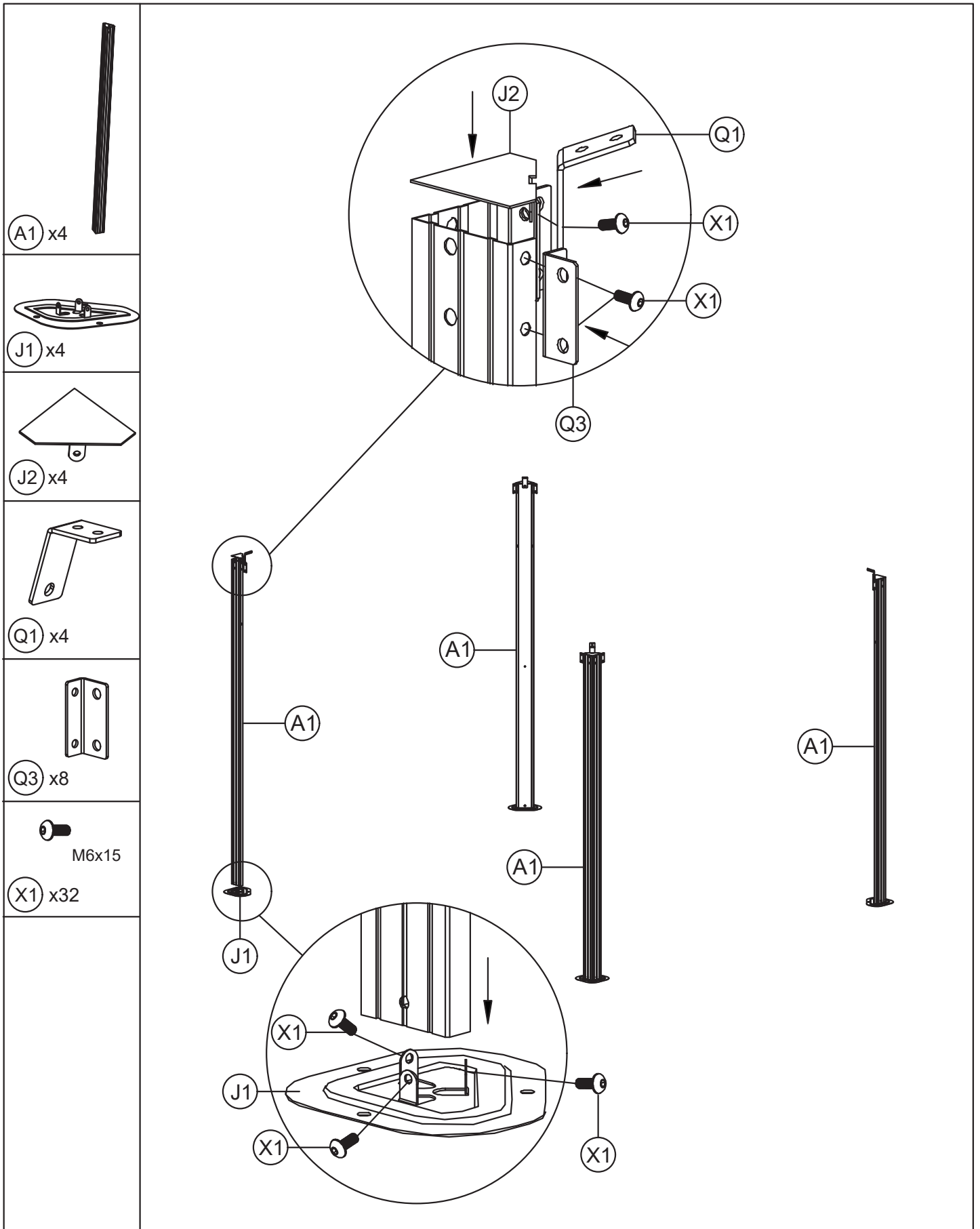
PRODUCT ASSEMBLY

STEP 3



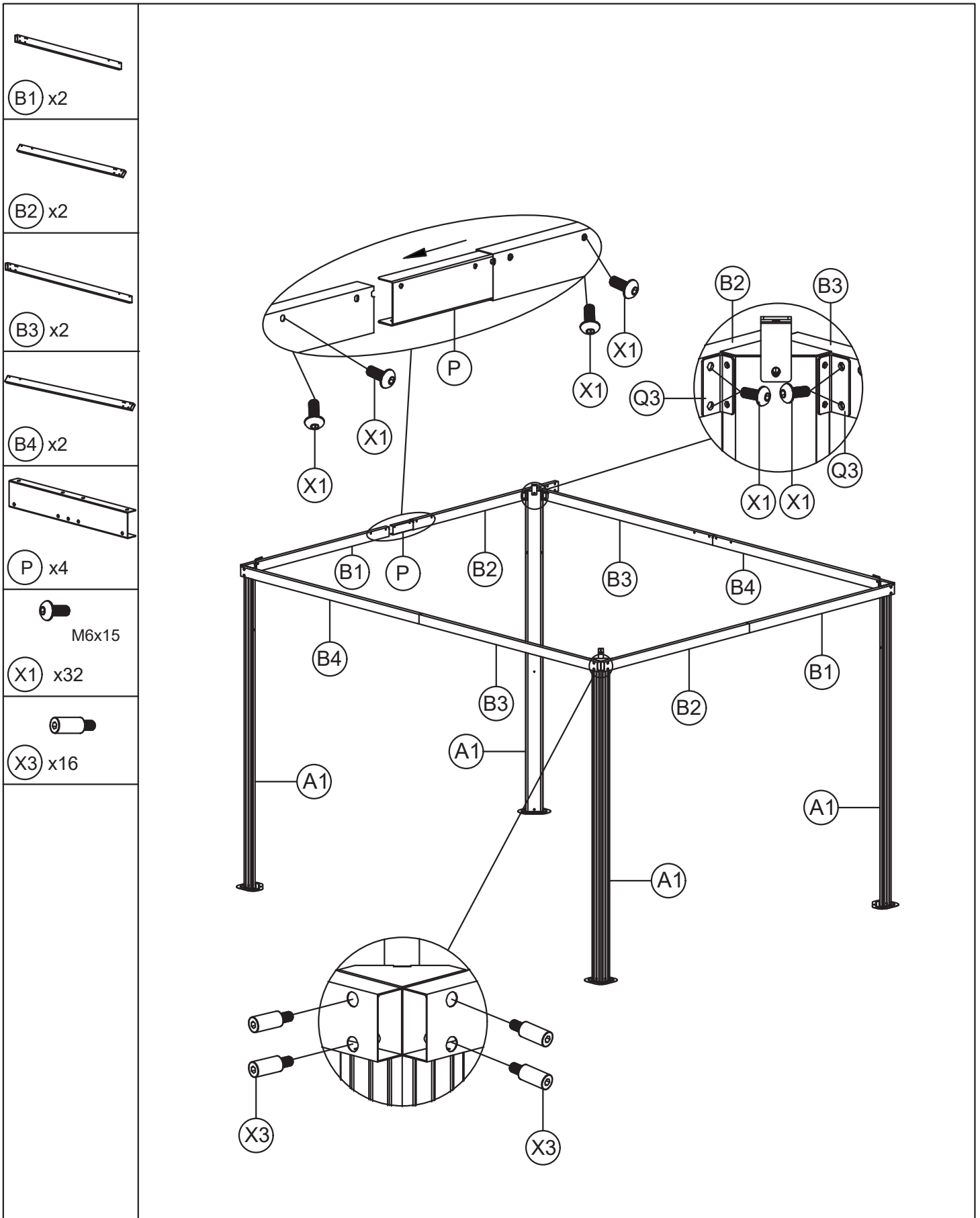
PRODUCT ASSEMBLY

STEP 4



PRODUCT ASSEMBLY

STEP 5



PRODUCT ASSEMBLY

STEP 6



(H1) x8

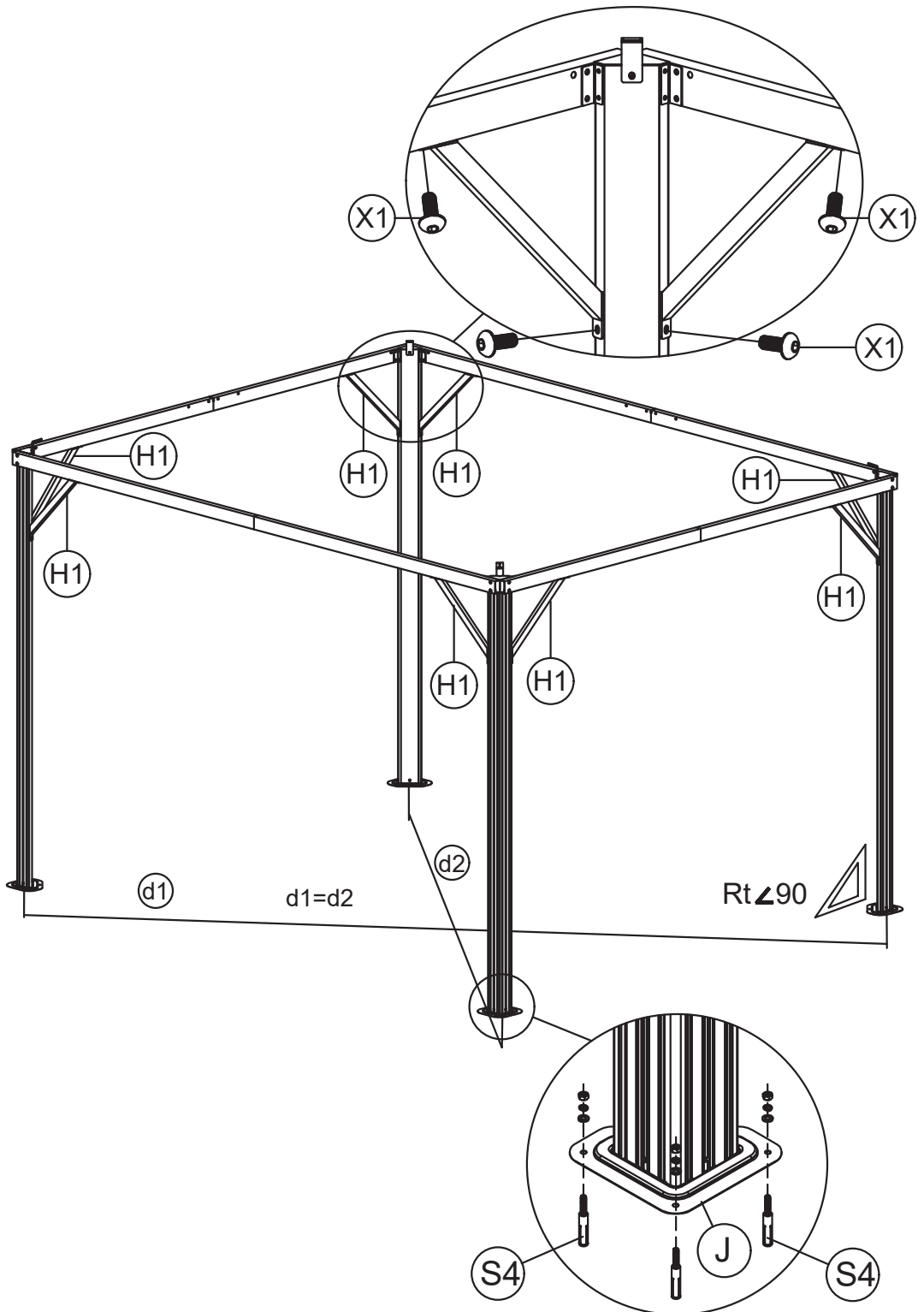


M6x15

(X1) x16

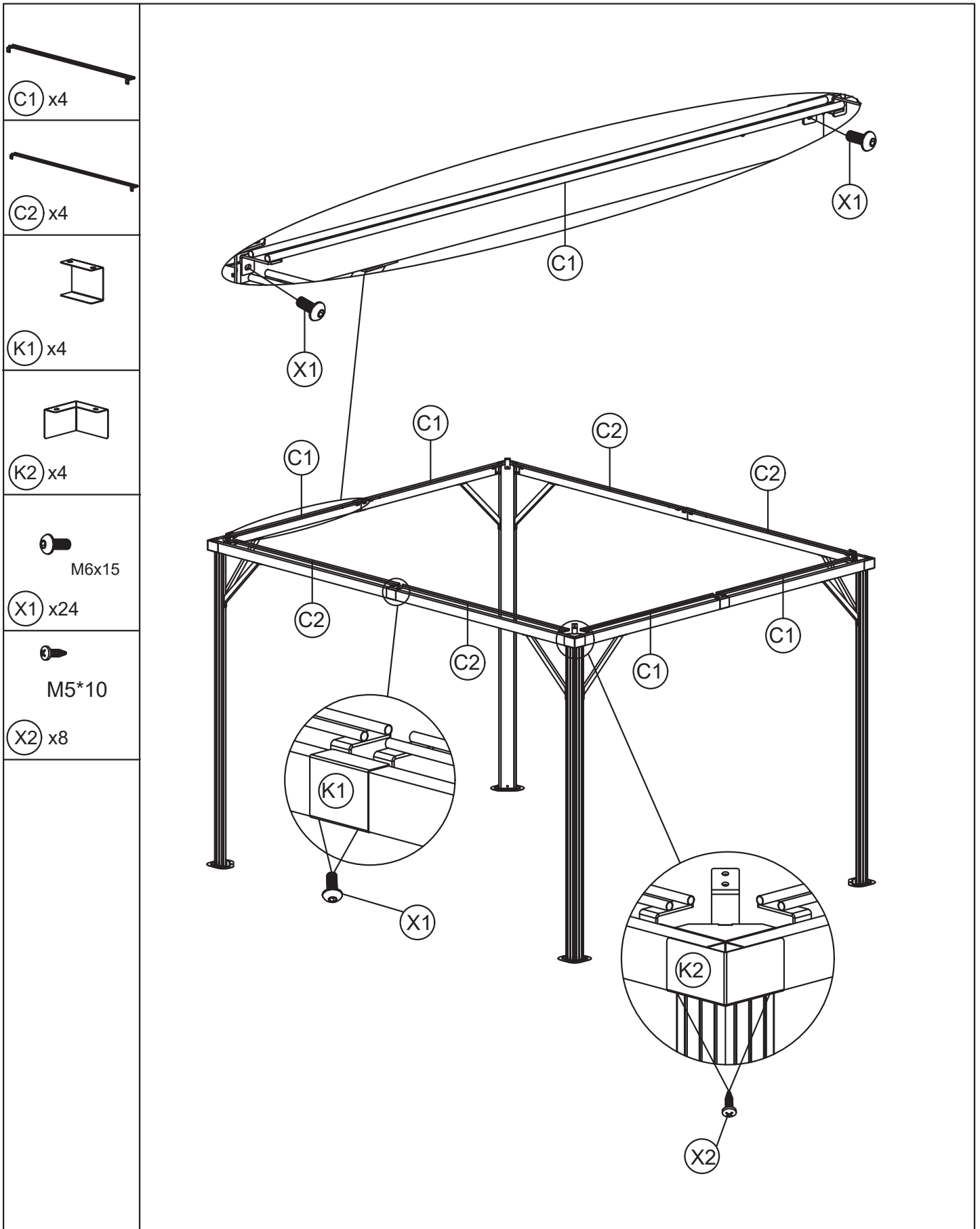


(S4) x12



PRODUCT ASSEMBLY

STEP 7



PRODUCT ASSEMBLY

STEP 8



D1 x2



D2 x2

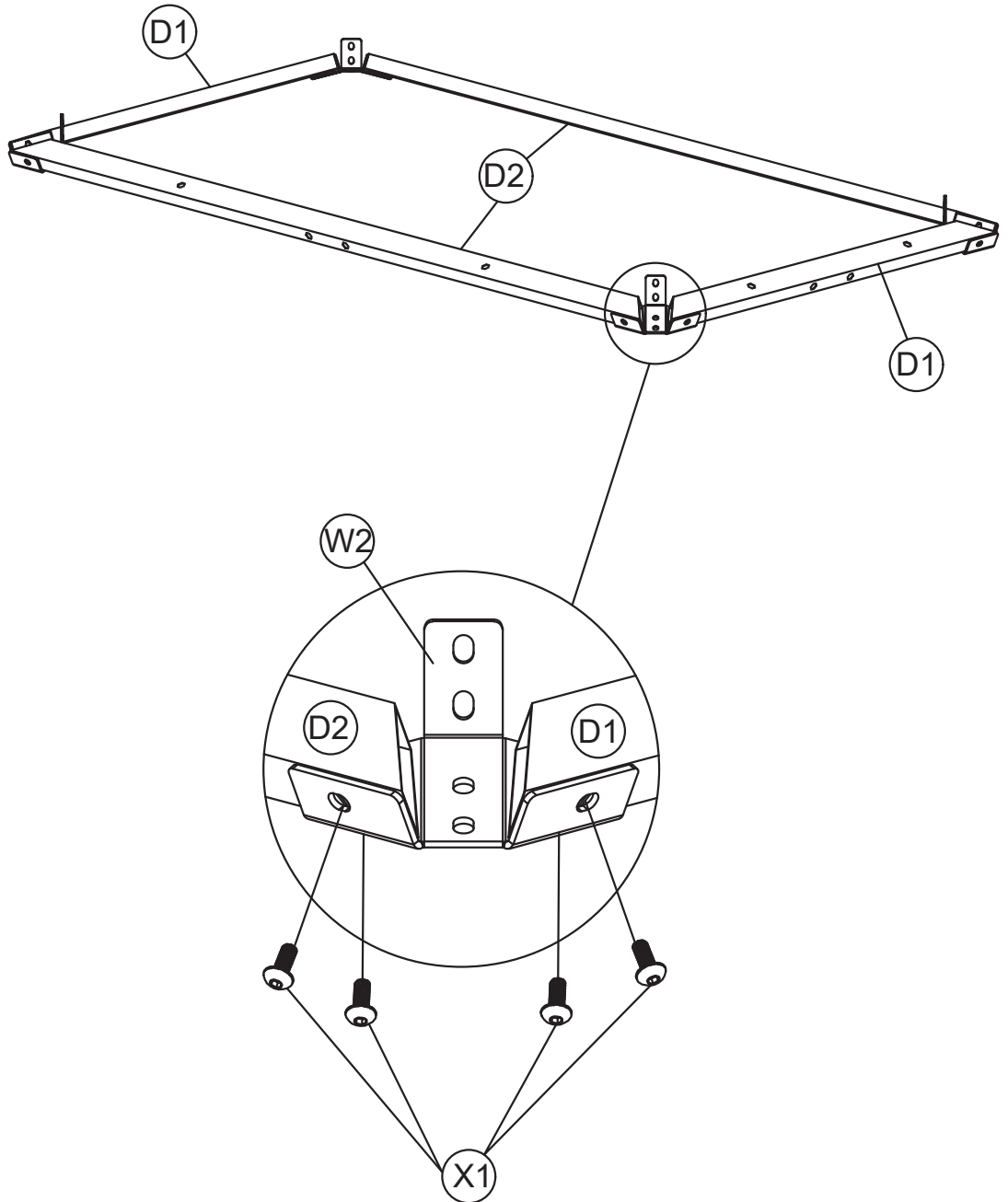


W2 x4



M6x15

X1 x16

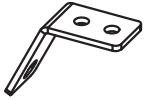


PRODUCT ASSEMBLY

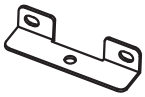
STEP 9



(E2) x4



(Q2) x4

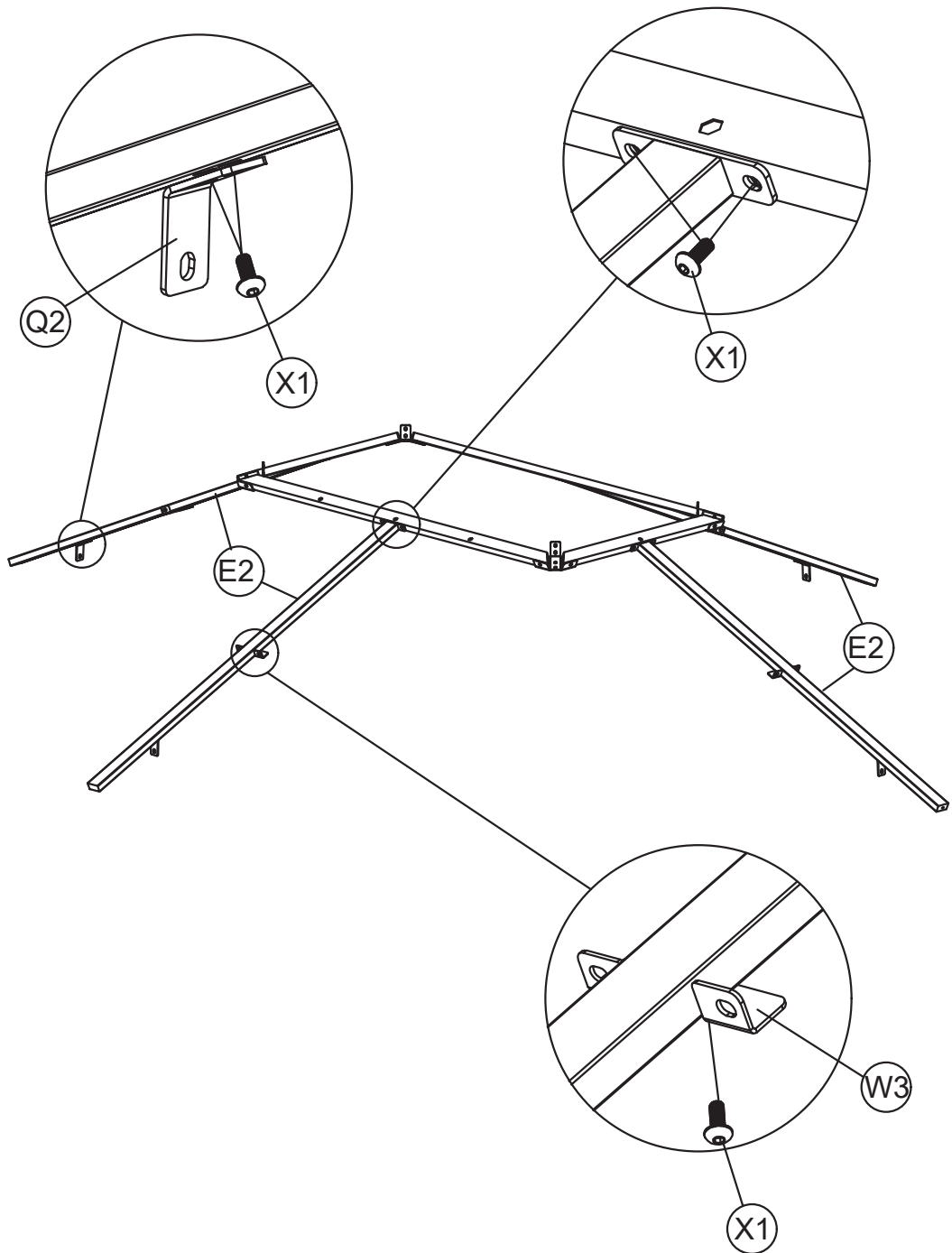


(W3) x4



M6x15

(X1) x20

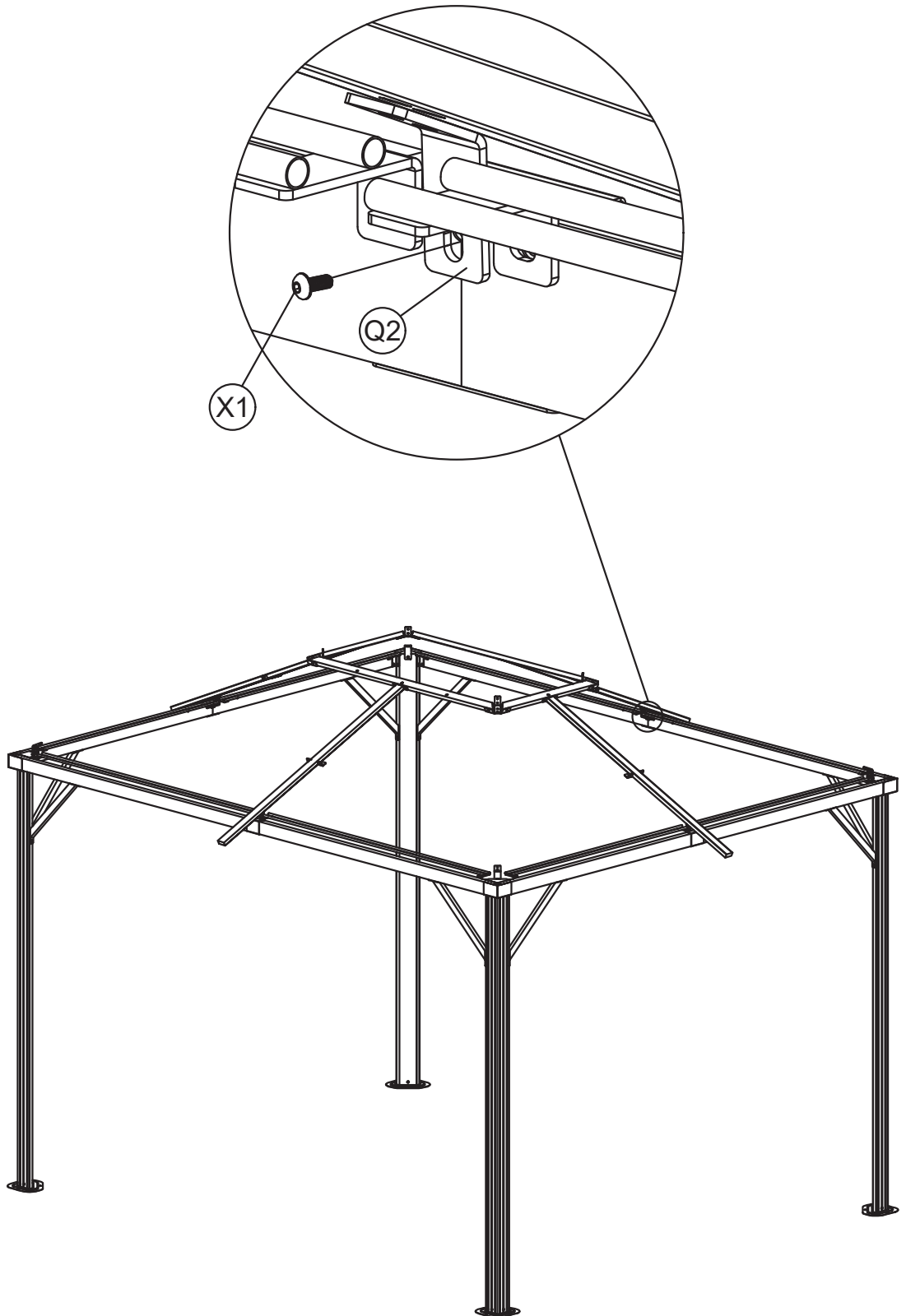


PRODUCT ASSEMBLY

STEP 10

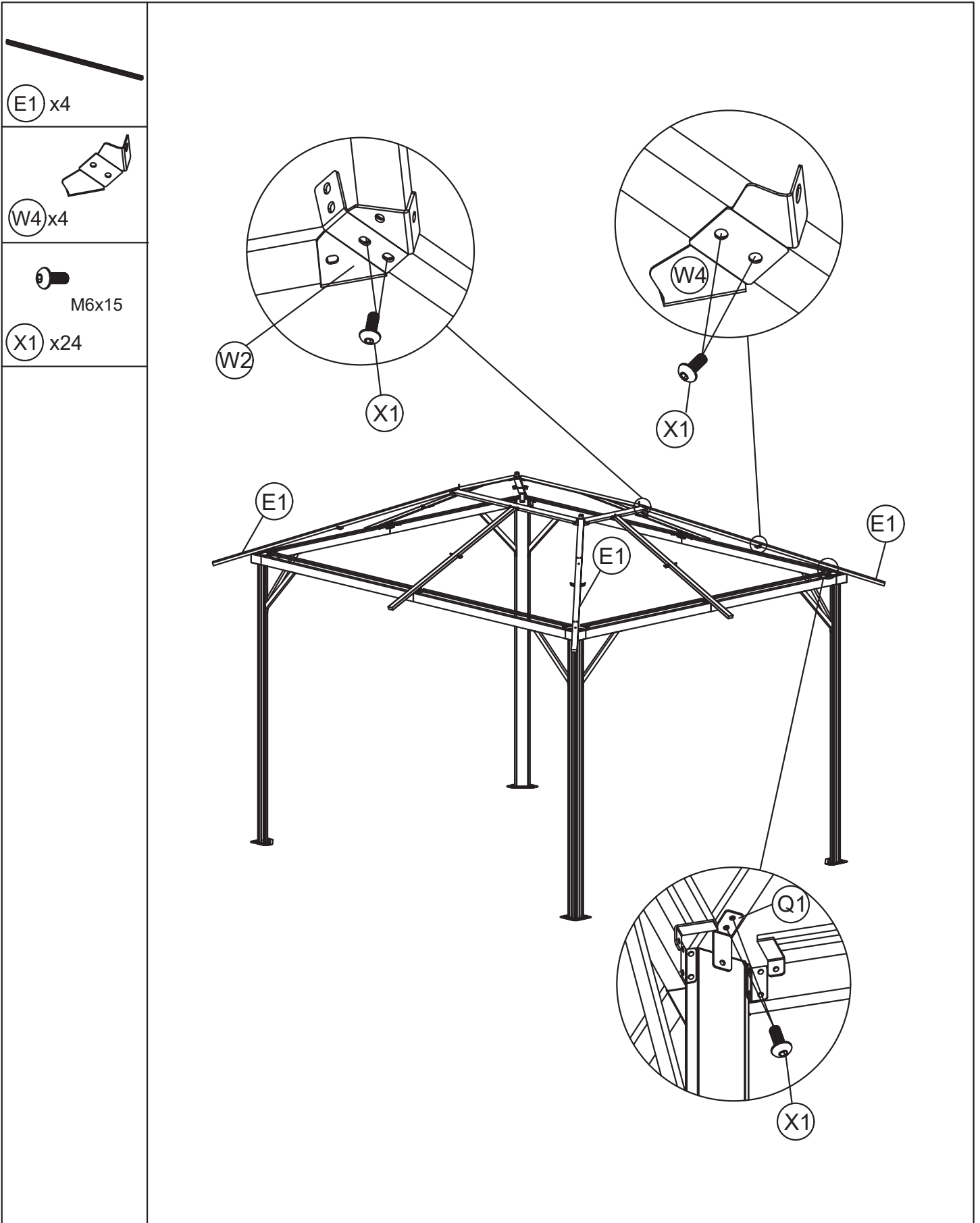
 M6x15

(X1) x4



PRODUCT ASSEMBLY

STEP 11



PRODUCT ASSEMBLY

STEP 12



(F1) x4

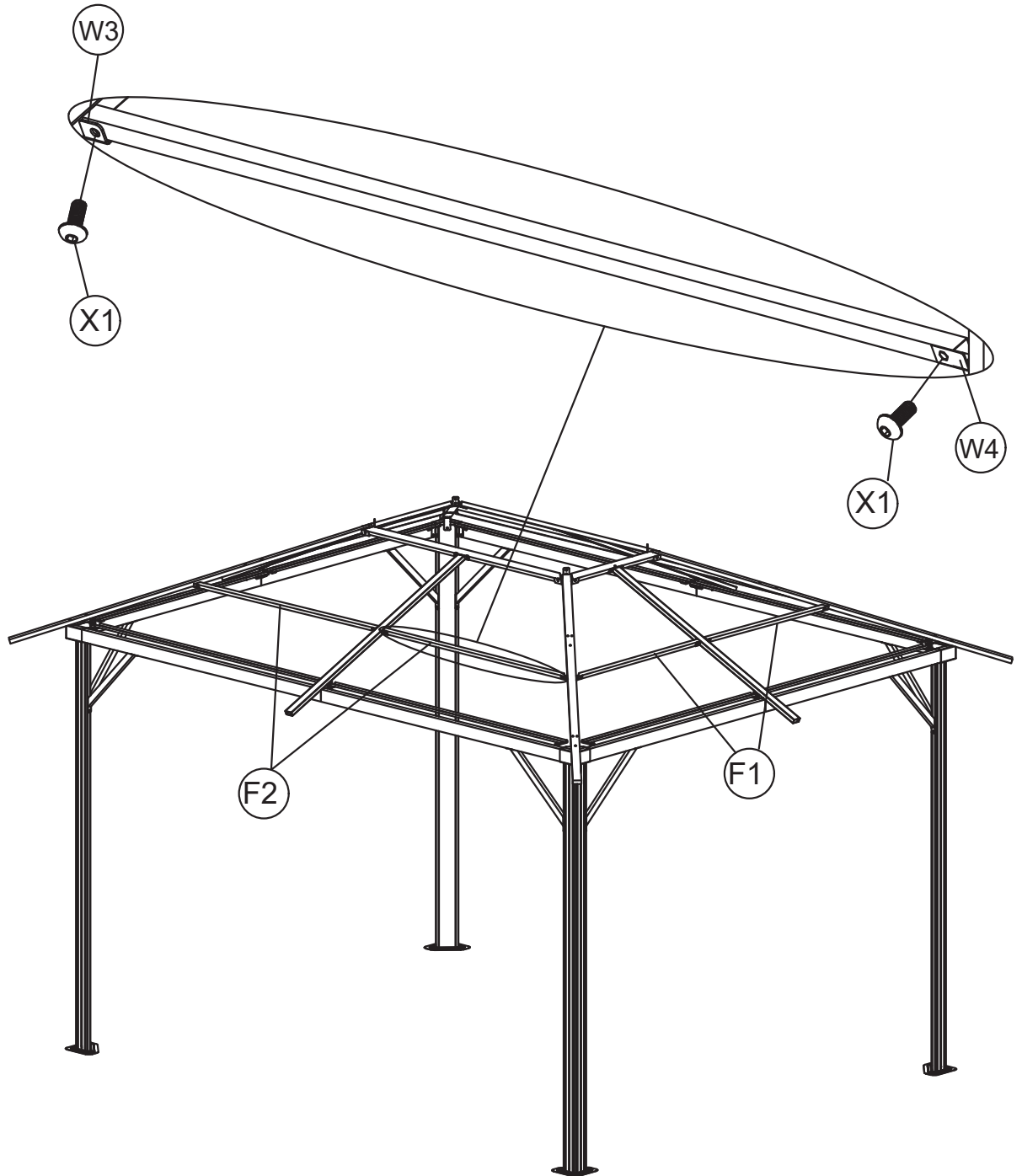


(F2) x4



M6x15

(X1) x16



PRODUCT ASSEMBLY

STEP 13



G1 x2



G2 x2



G3 x2



G4 x2

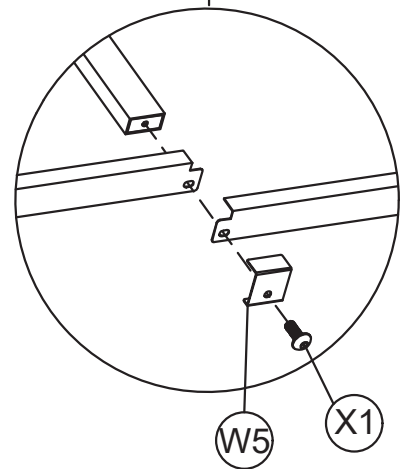
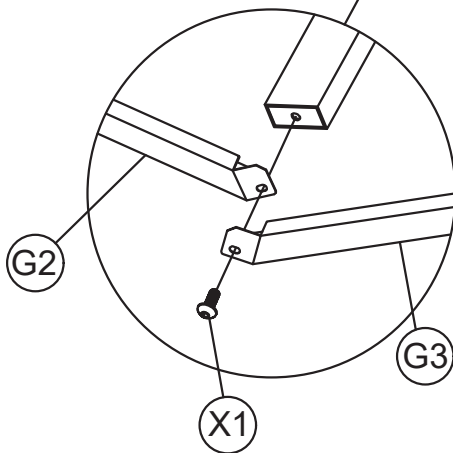
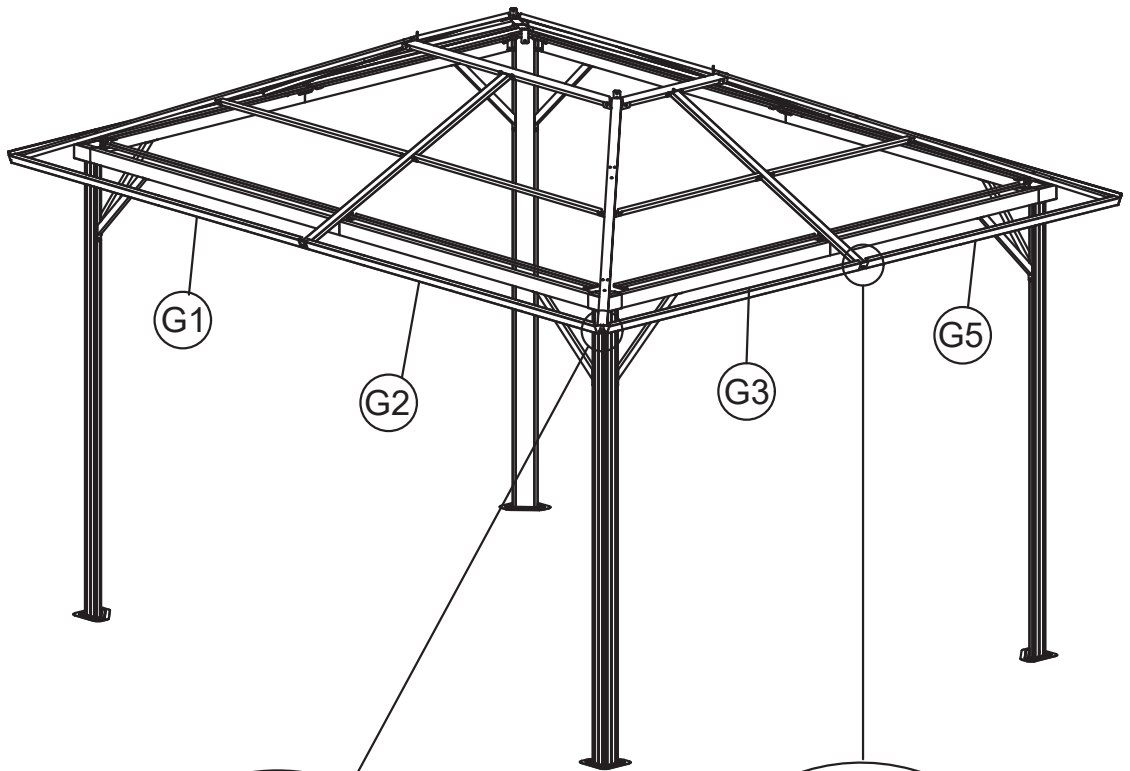


W5 x4



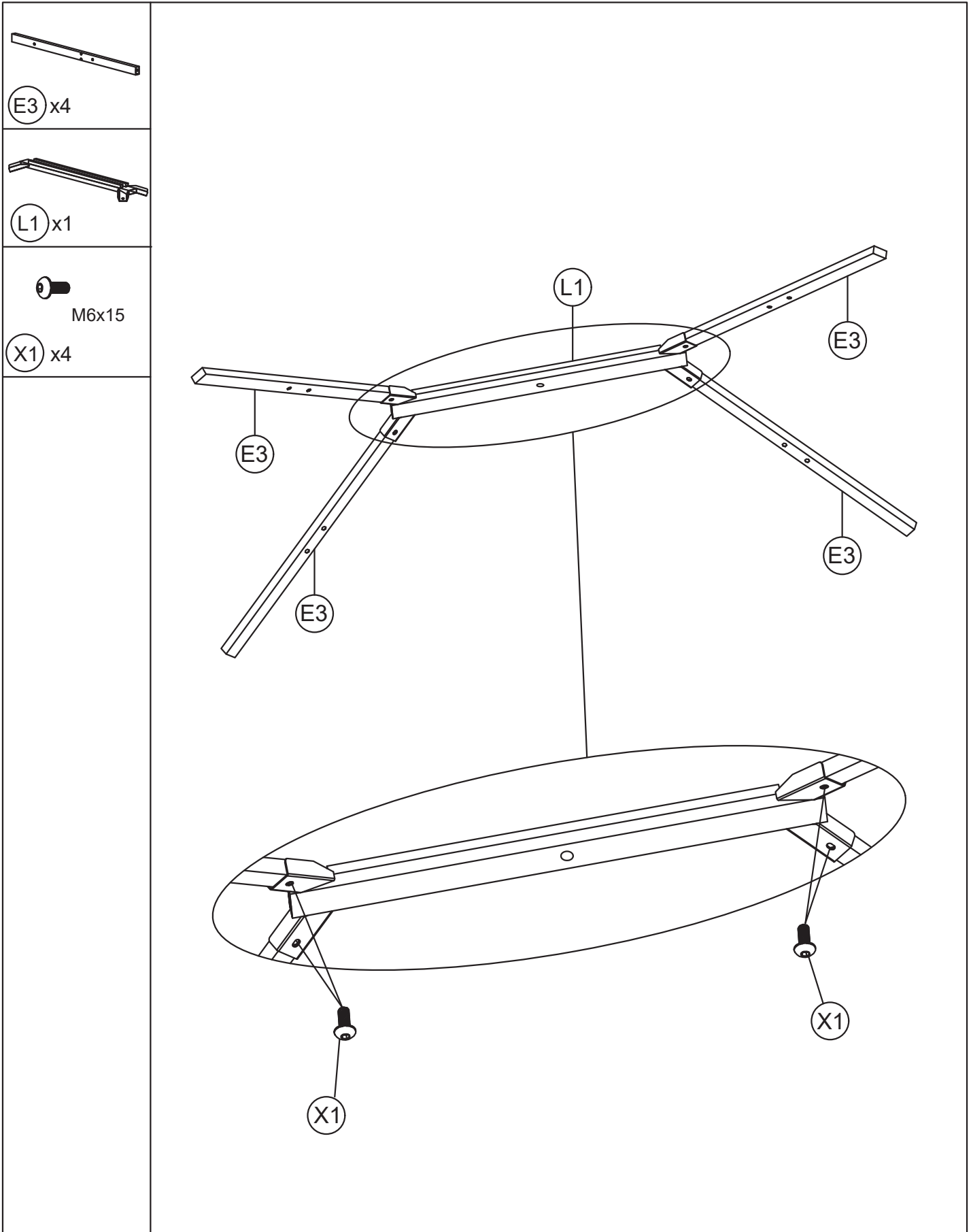
M6x15

X1 x8



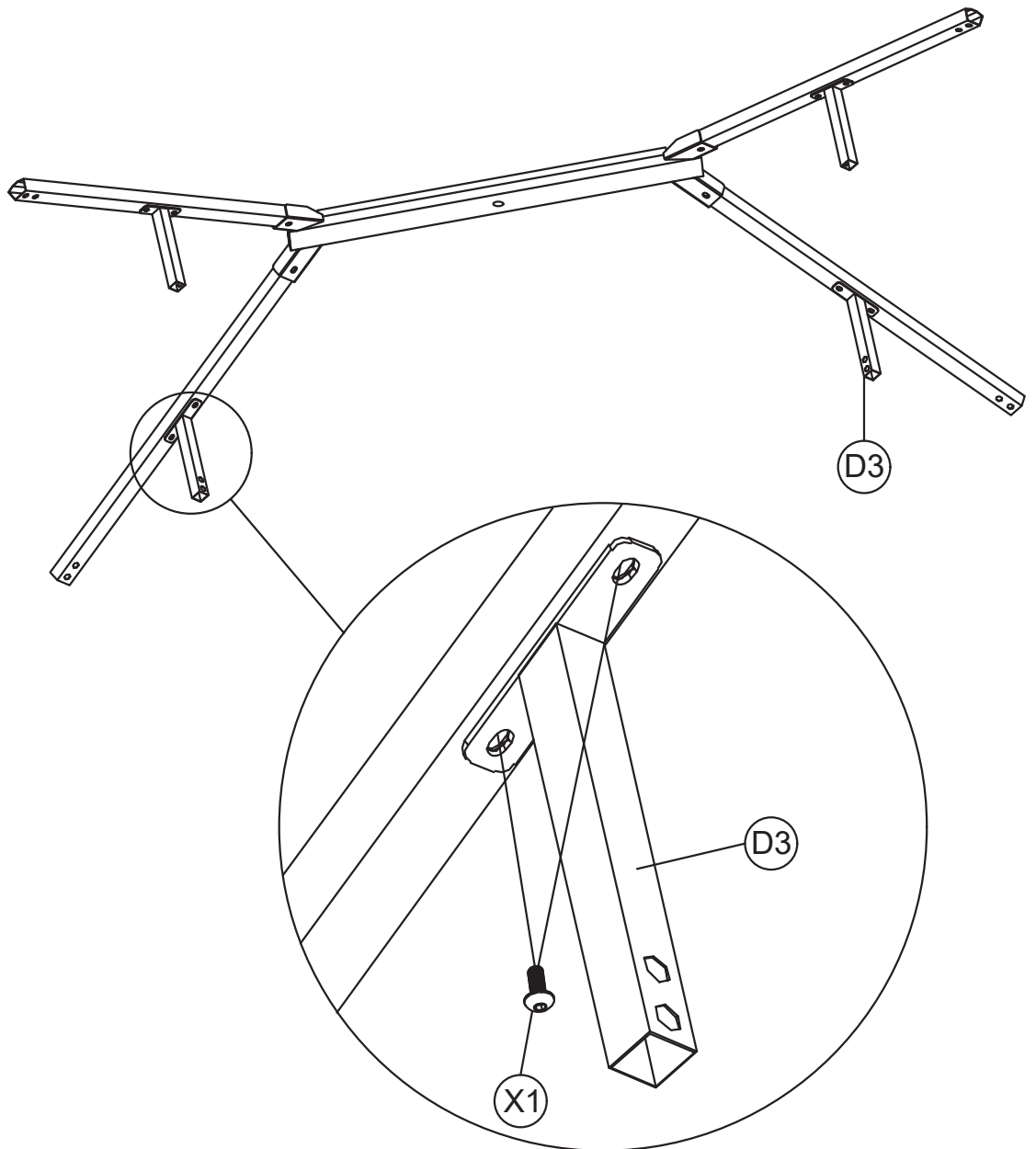
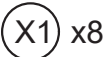
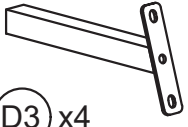
PRODUCT ASSEMBLY

STEP 14



PRODUCT ASSEMBLY

STEP 15



PRODUCT ASSEMBLY

STEP 16



I1 x2

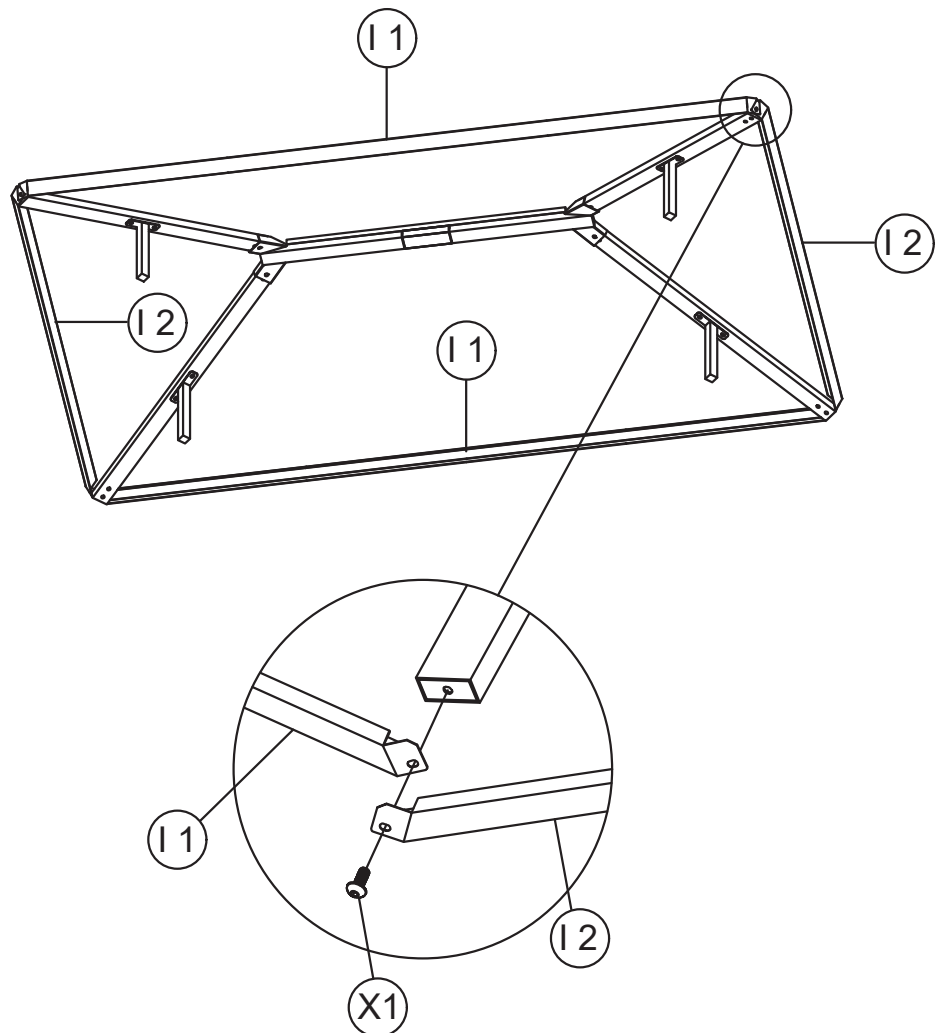


I2 x2



M6x15

X1 x4



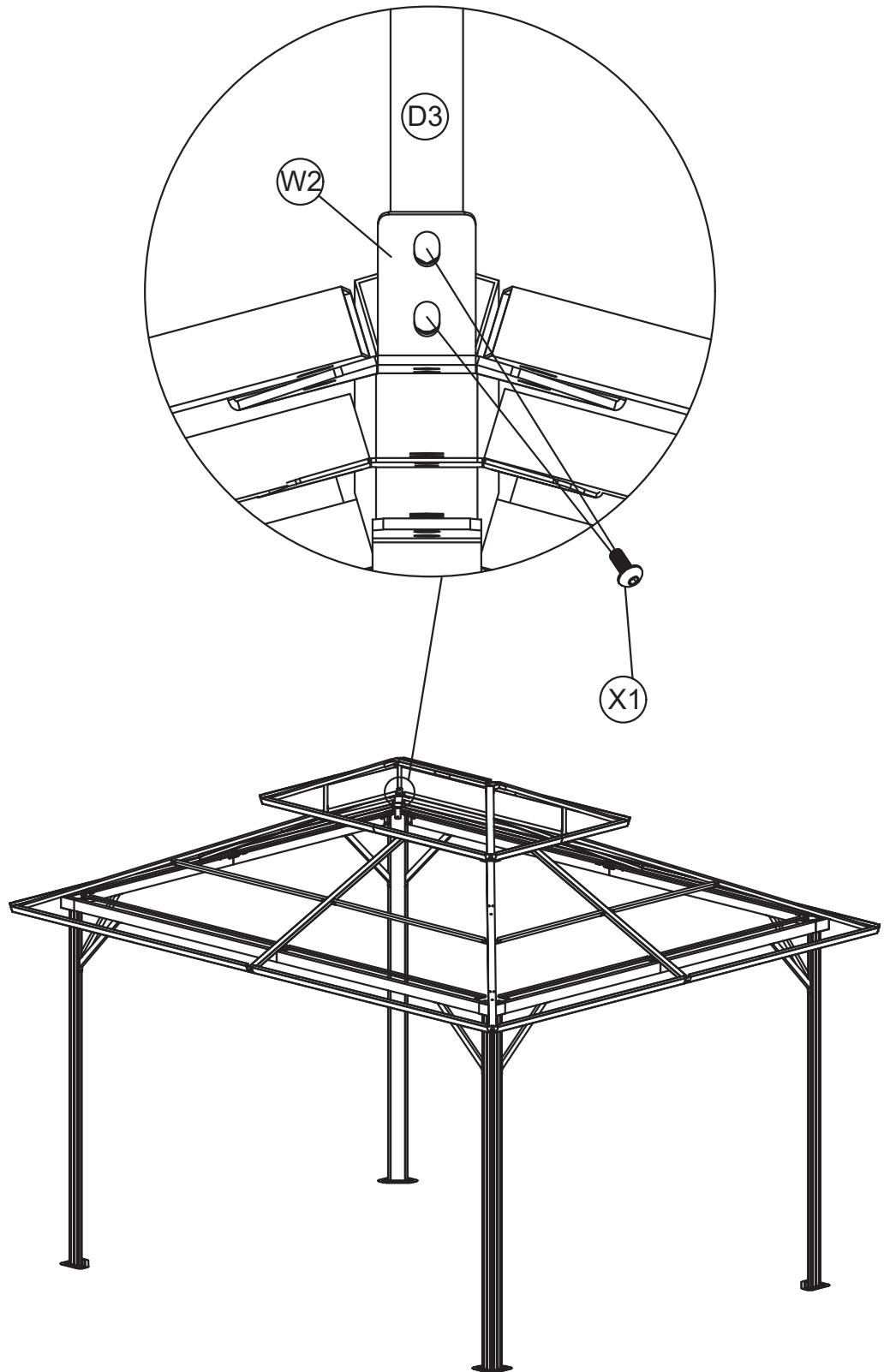
PRODUCT ASSEMBLY

STEP 17



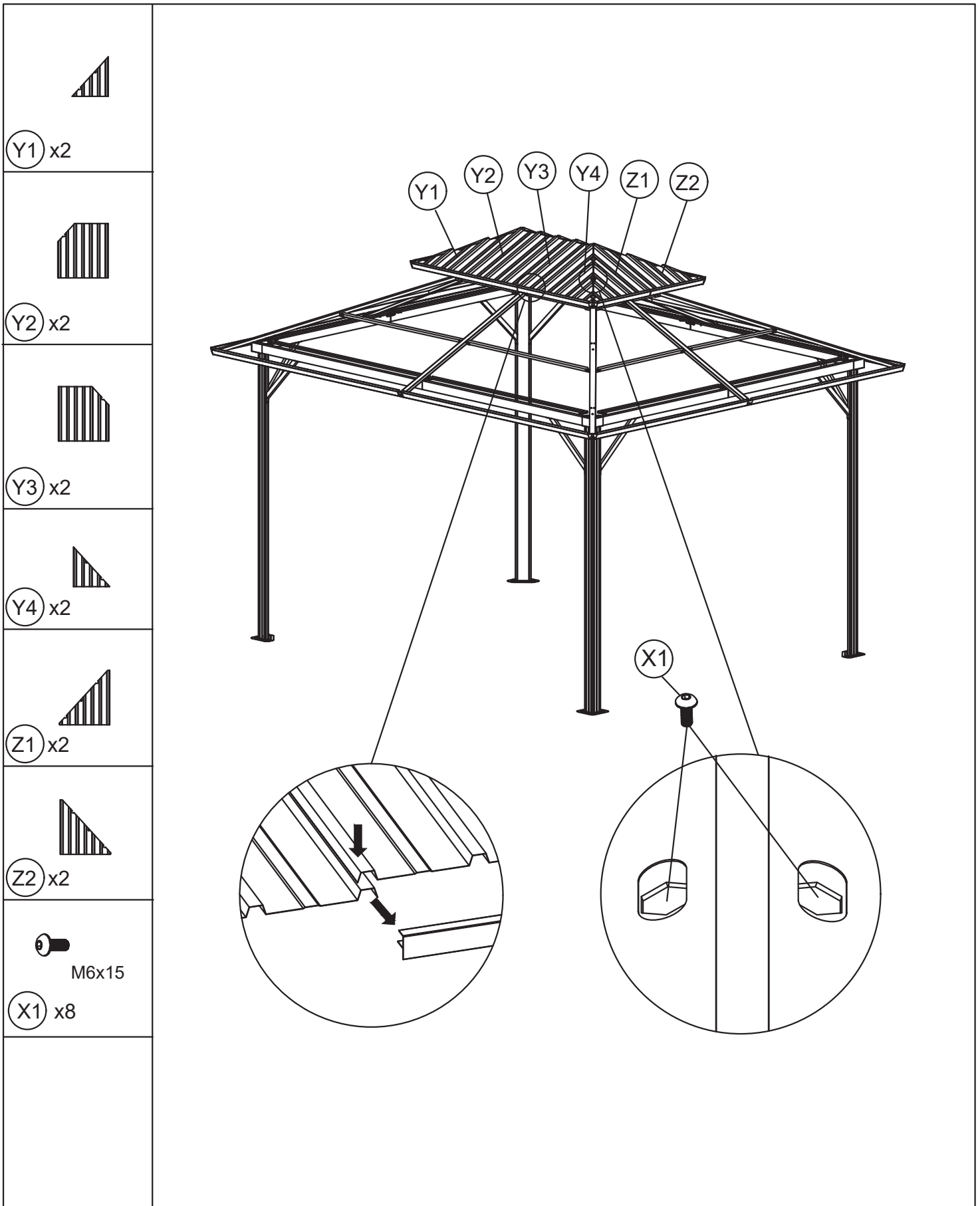
M6x15

(X1) x8



PRODUCT ASSEMBLY

STEP 18



PRODUCT ASSEMBLY

STEP 19

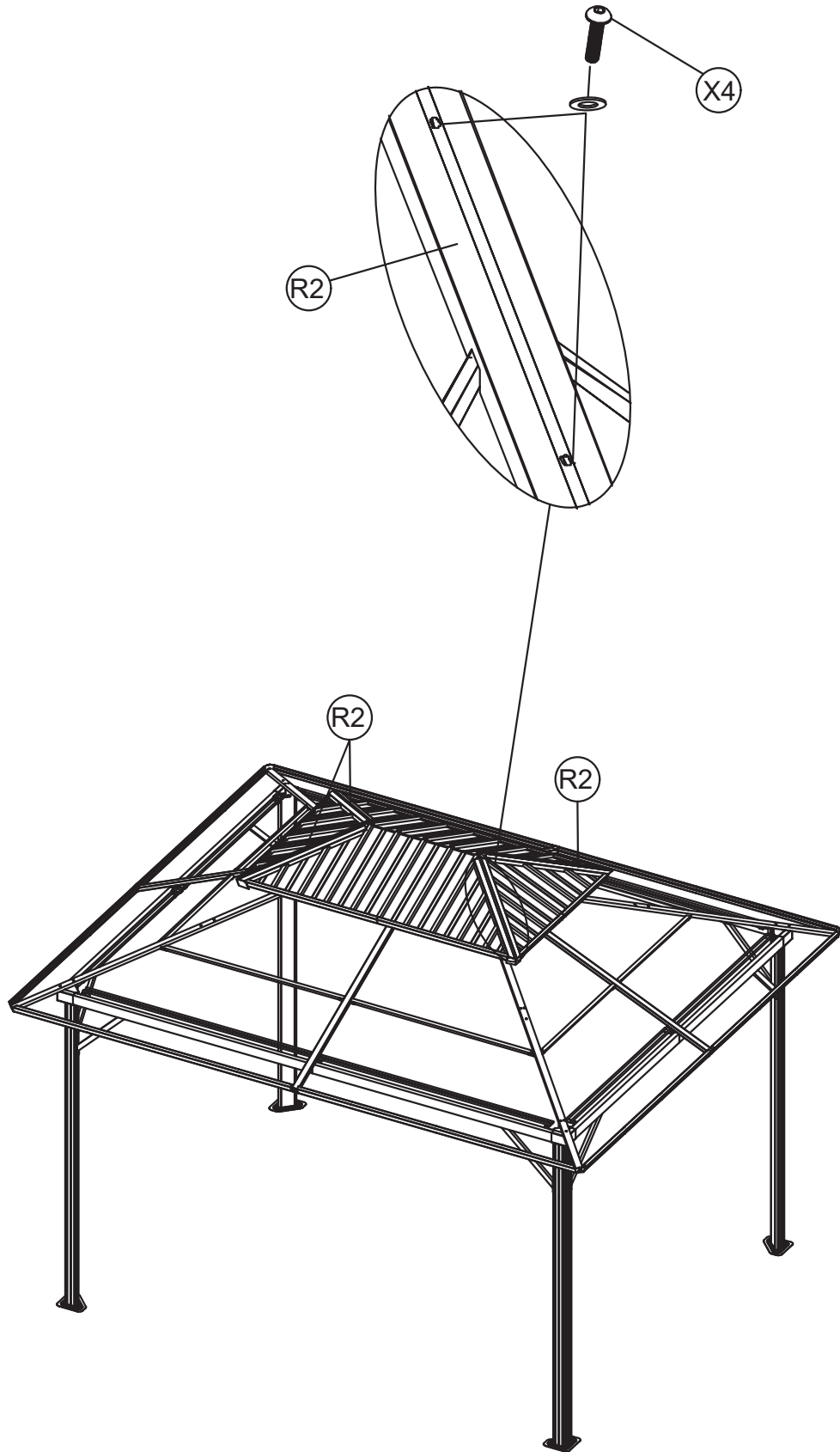


(R2) x4



M6x40

(X4) x8

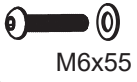


PRODUCT ASSEMBLY

STEP 20

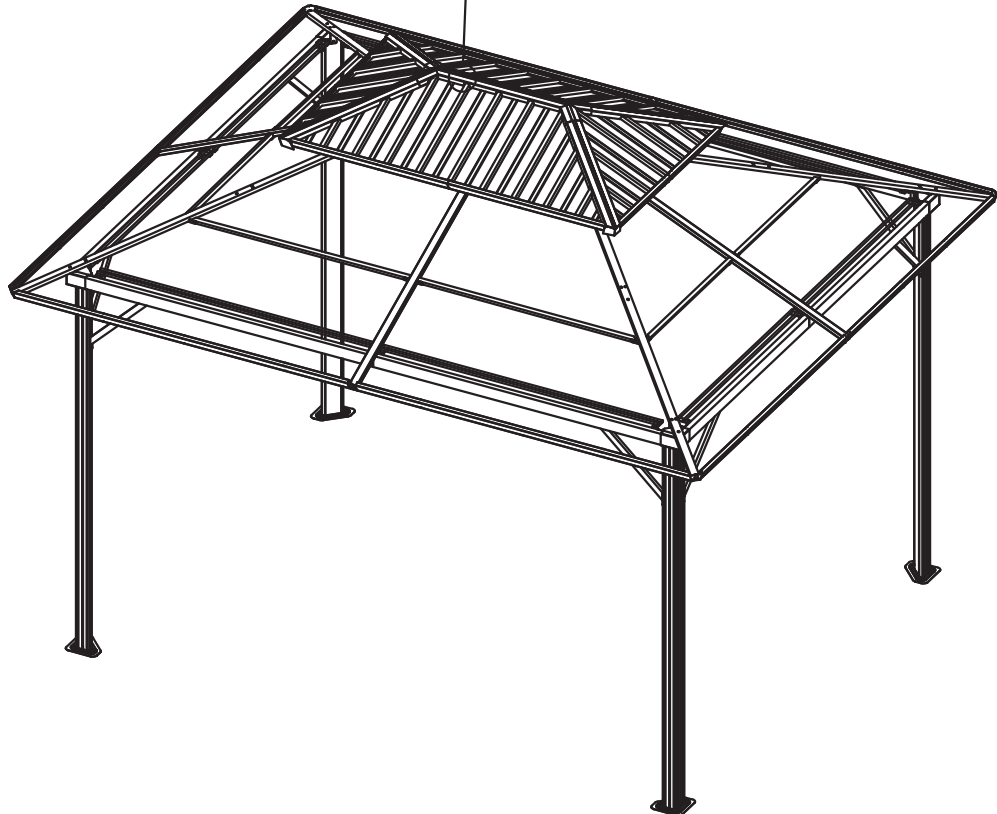
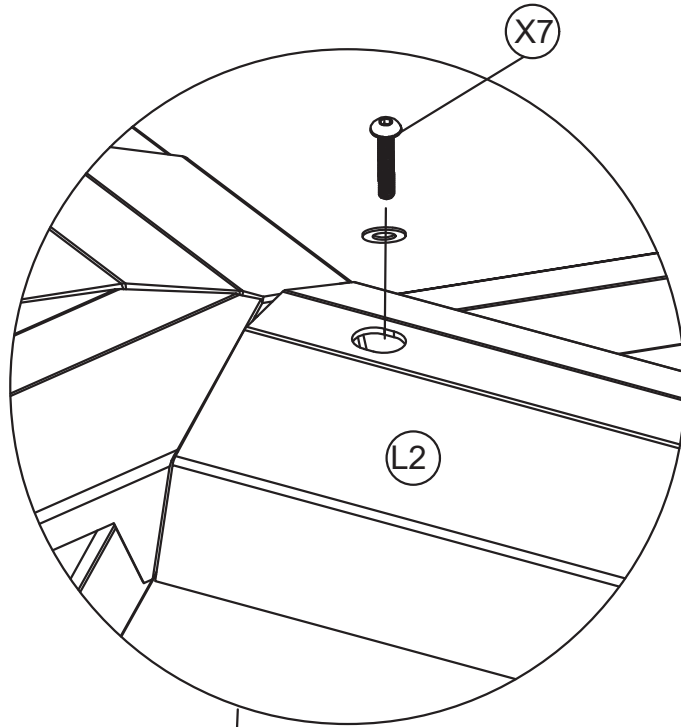


(L2) x1



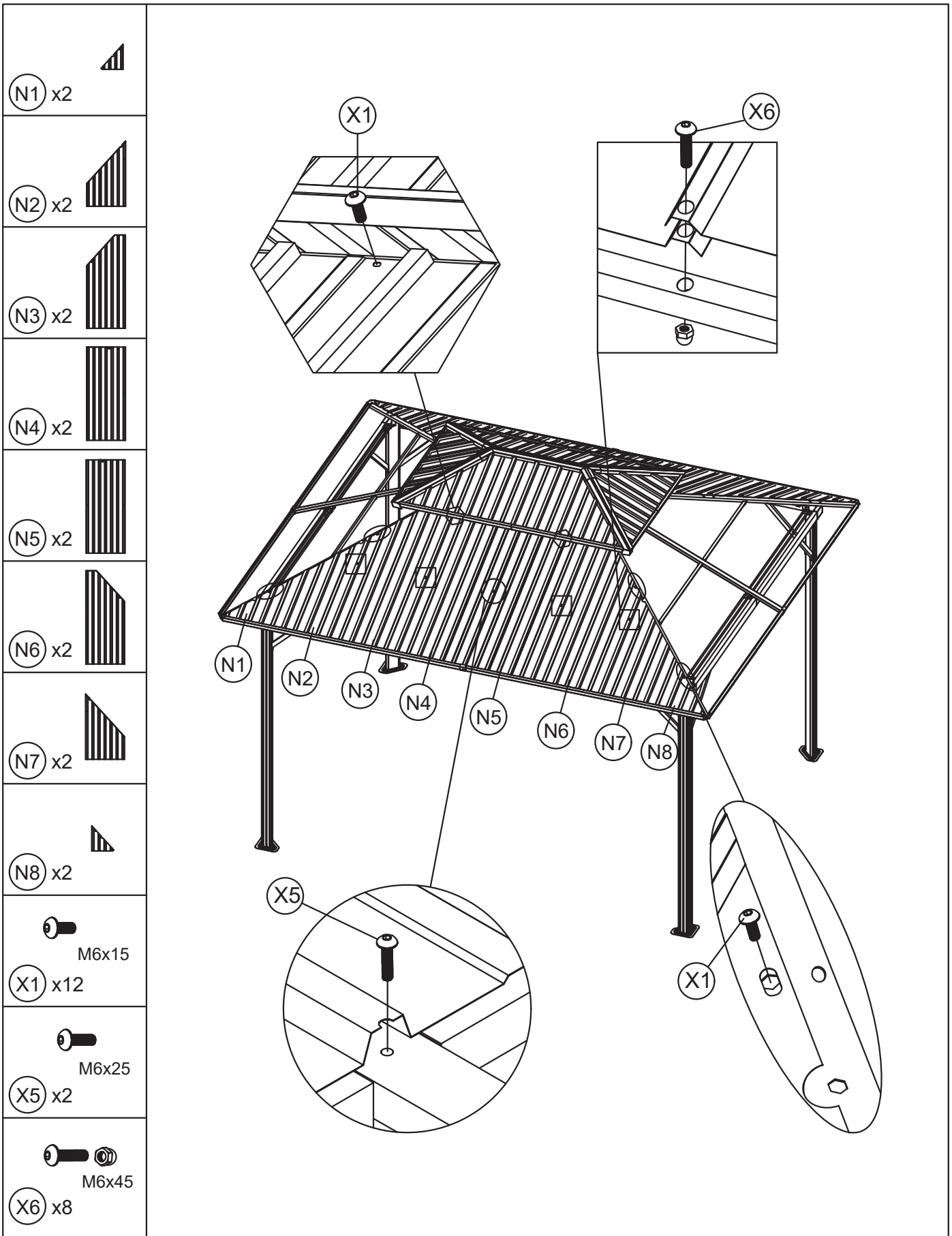
M6x55

(X7) x2



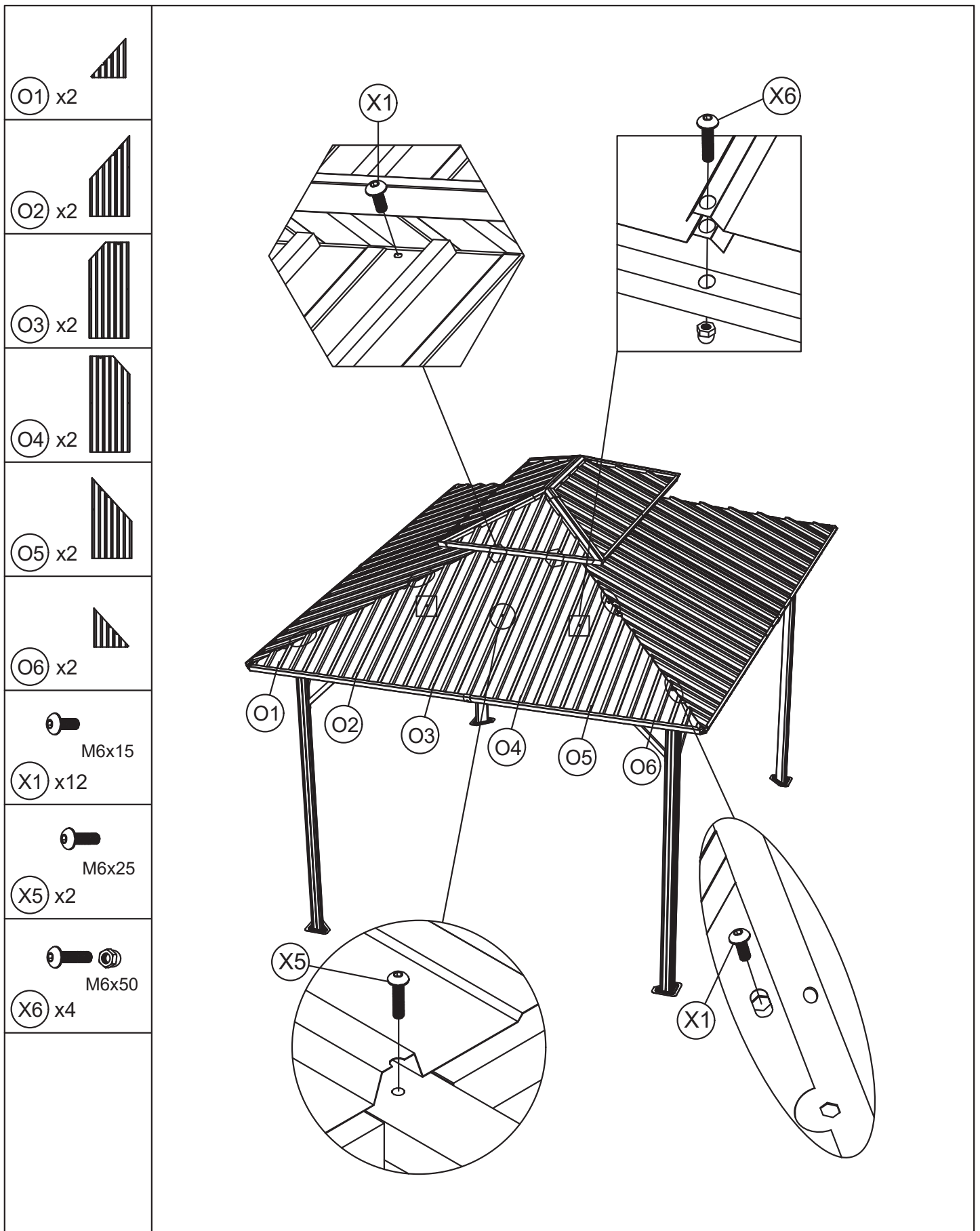
PRODUCT ASSEMBLY

STEP 21



PRODUCT ASSEMBLY

STEP 22



PRODUCT ASSEMBLY

STEP 23

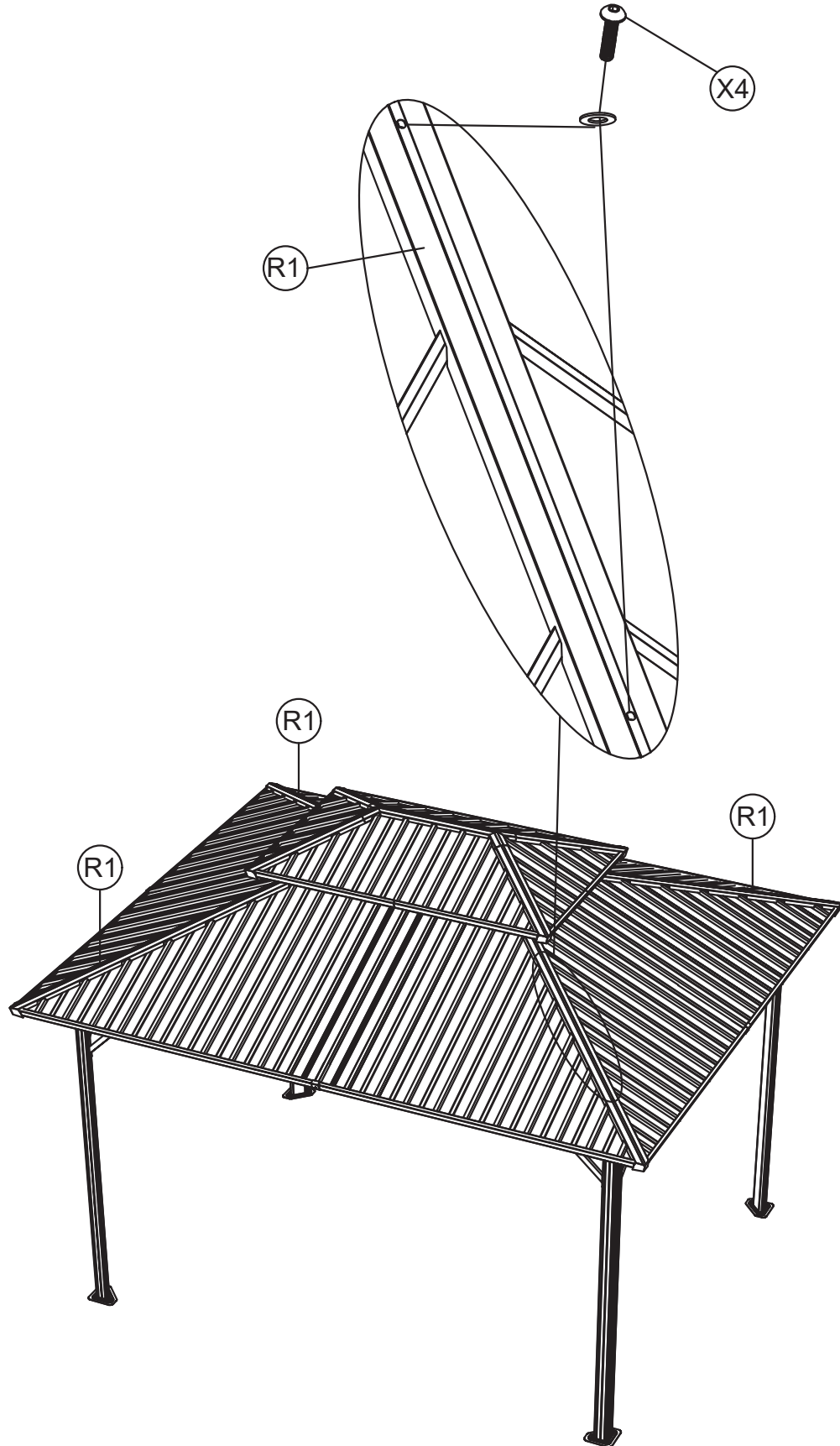


(R1)x4



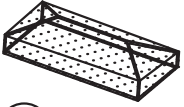
M6x40

(X4)x8



PRODUCT ASSEMBLY

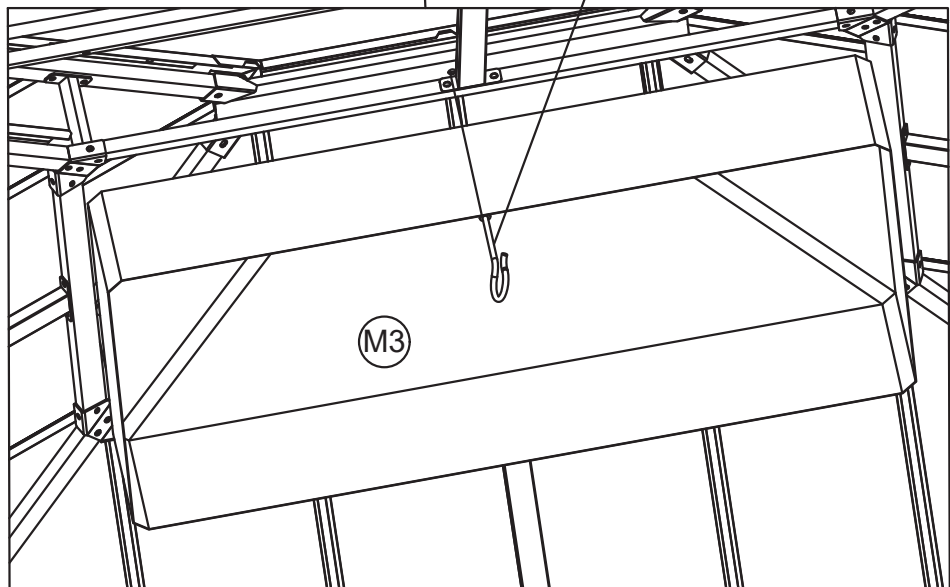
STEP 24



(M3) x1

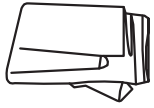


(S5) x1

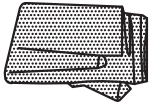


PRODUCT ASSEMBLY

STEP 25



(M1) x1



(M2) x1



(M4) x88

