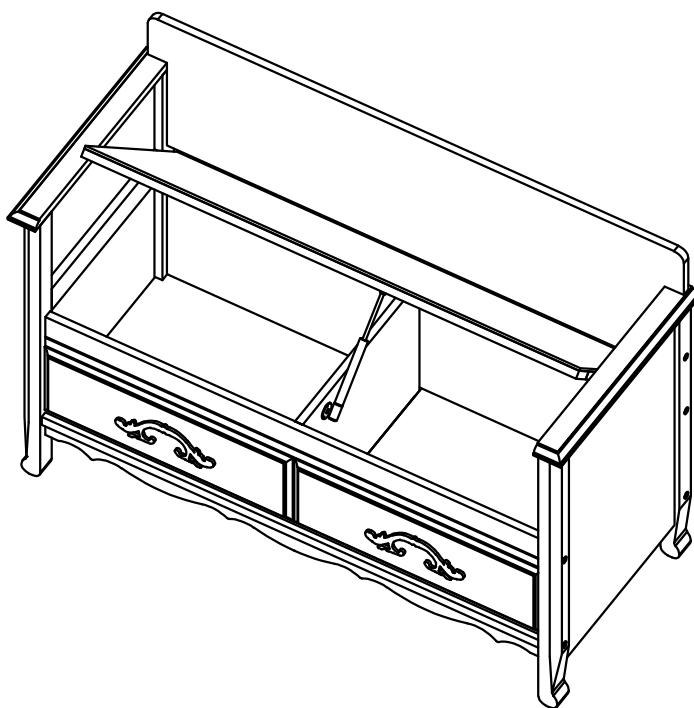
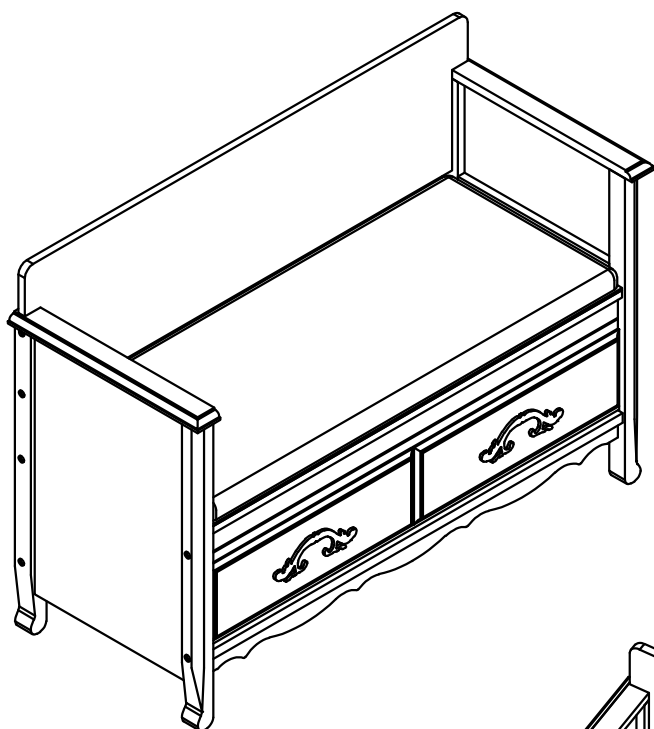


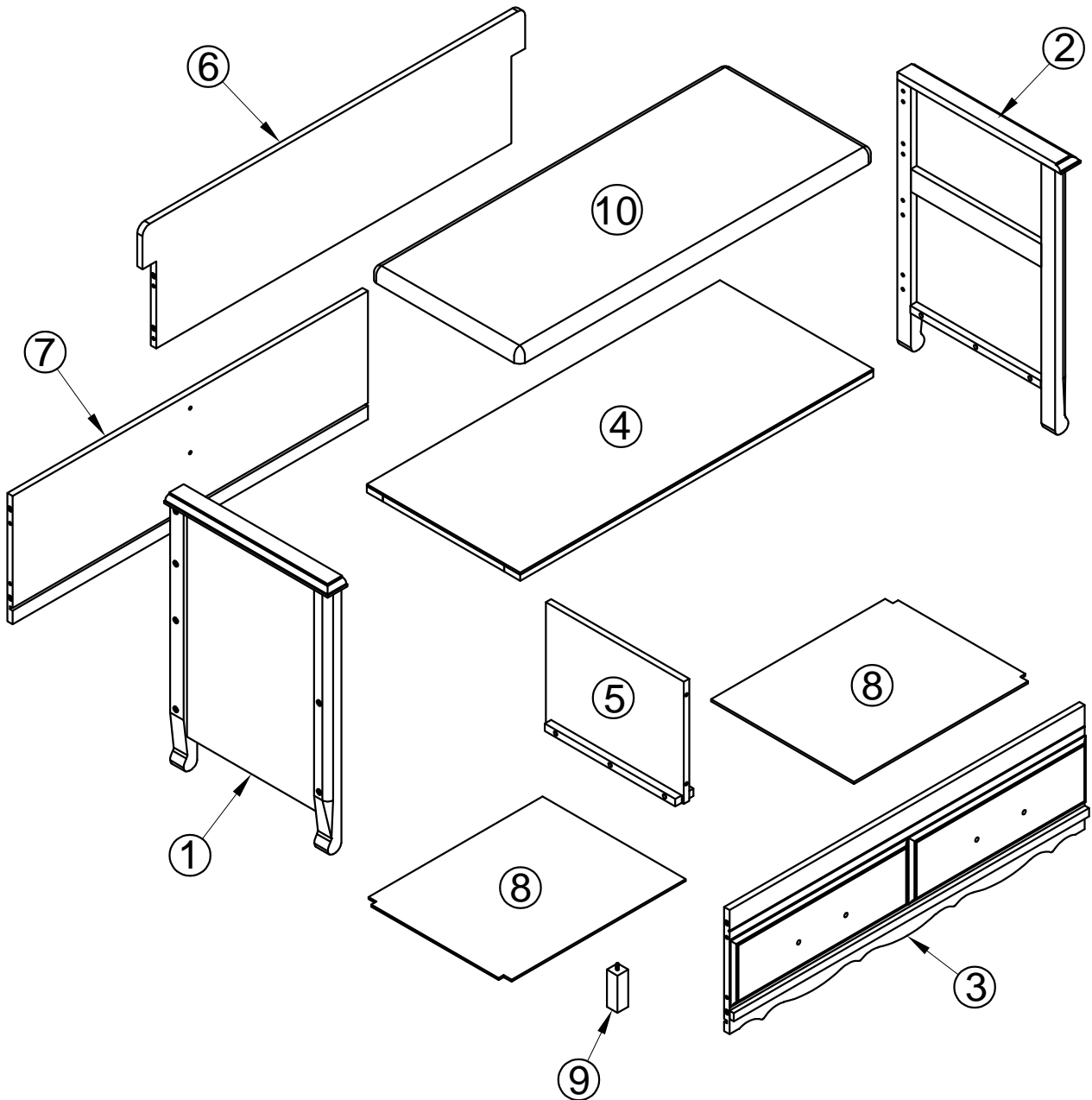
# ASSEMBLY INSTRUCTION

## STORAGE BENCH

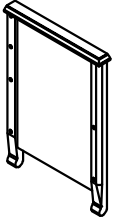
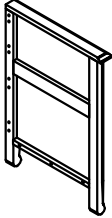
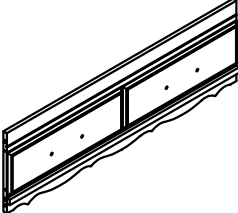
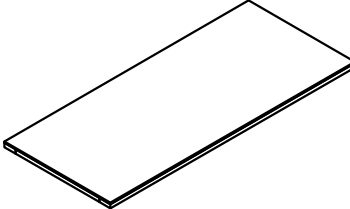
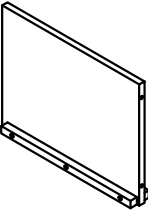
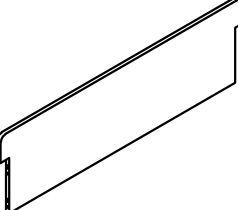
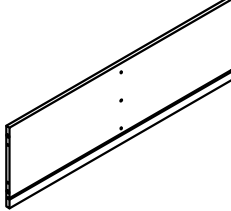
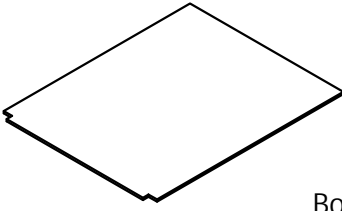
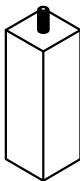
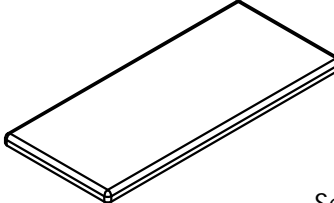


# ASSEMBLY INSTRUCTION


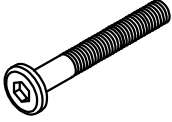

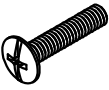

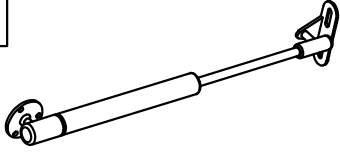
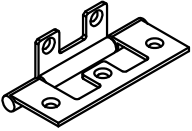


## STORAGE BENCH



# PART LIST

<p>① x 1</p>  <p>Side frame - left</p>	<p>② x 1</p>  <p>Side frame - right</p>
<p>③ x 1</p>  <p>Front Frame</p>	<p>④ x 1</p>  <p>Seat</p>
<p>⑤ x 1</p>  <p>Divider panel</p>	<p>⑥ x 1</p>  <p>Backrest panel</p>
<p>⑦ x 1</p>  <p>Rear panel</p>	<p>⑧ x 2</p>  <p>Bottom panel</p>
<p>⑨ x 1</p>  <p>Support leg</p>	<p>⑩ x 1</p>  <p>Seat cushion</p>




# HARDWARE LIST

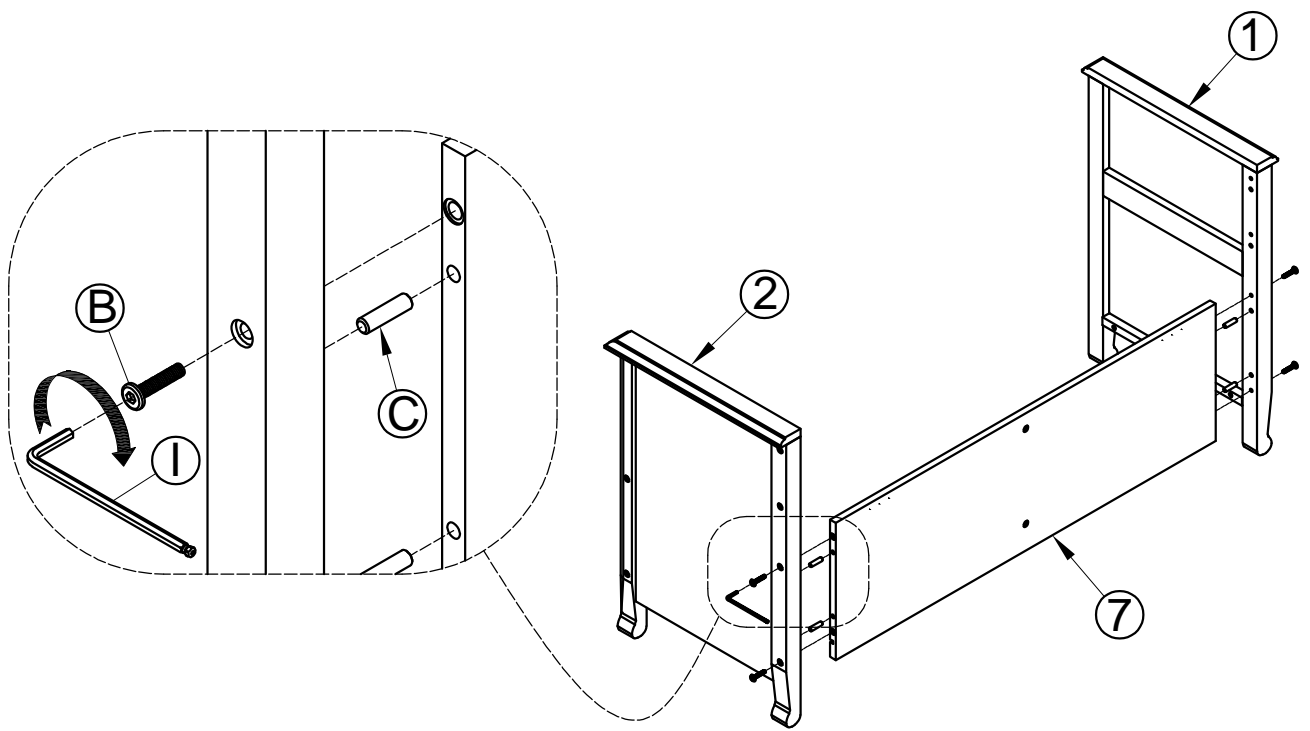
<b>A</b>  M6 x 30 mm Bolt 2pcs	<b>B</b>  M6 x 50 mm Bolt 12pcs	<b>C</b>  Ø8 x 30 mm Wood dowel 13pcs
<b>D</b>  M4 x 25 mm Round head bolt 4pcs	<b>E</b>  Handle 2pcs	<b>F</b>  Hydraulic Lifting Arm 1pc
<b>G</b>  Hinge 2pcs	<b>H</b>  M3.5x12mm Wood Screw 15pcs	<b>I</b>  Allen key 1pcs

ASSEMBLY TOOLS REQUIRED (NOT INCLUDED)






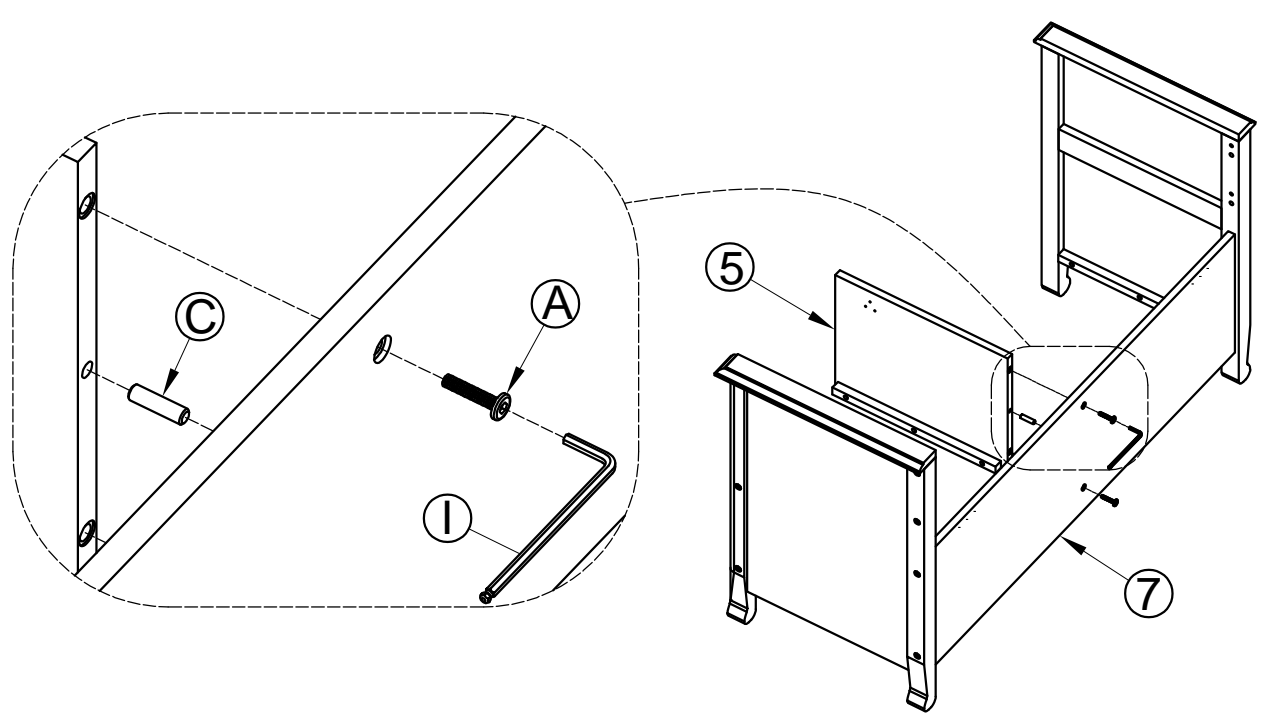
**STEP 1:** Following below illustration  
 -Using hardware #B, #C connect 1, 2 with 7

B		4	C		4
I					1

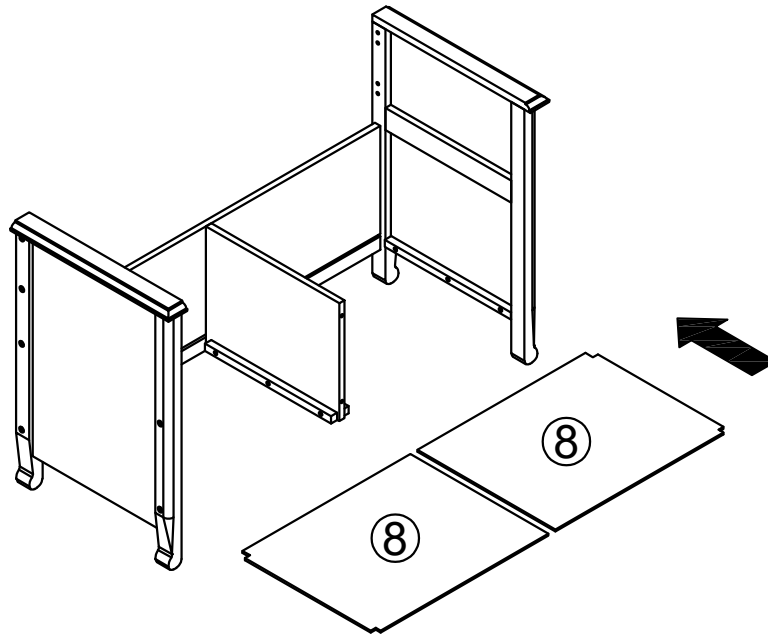


**STEP 2:** Following below illustration  
 -Using hardware #A, #C connect 5 with 7

A		2	C		1
I					1






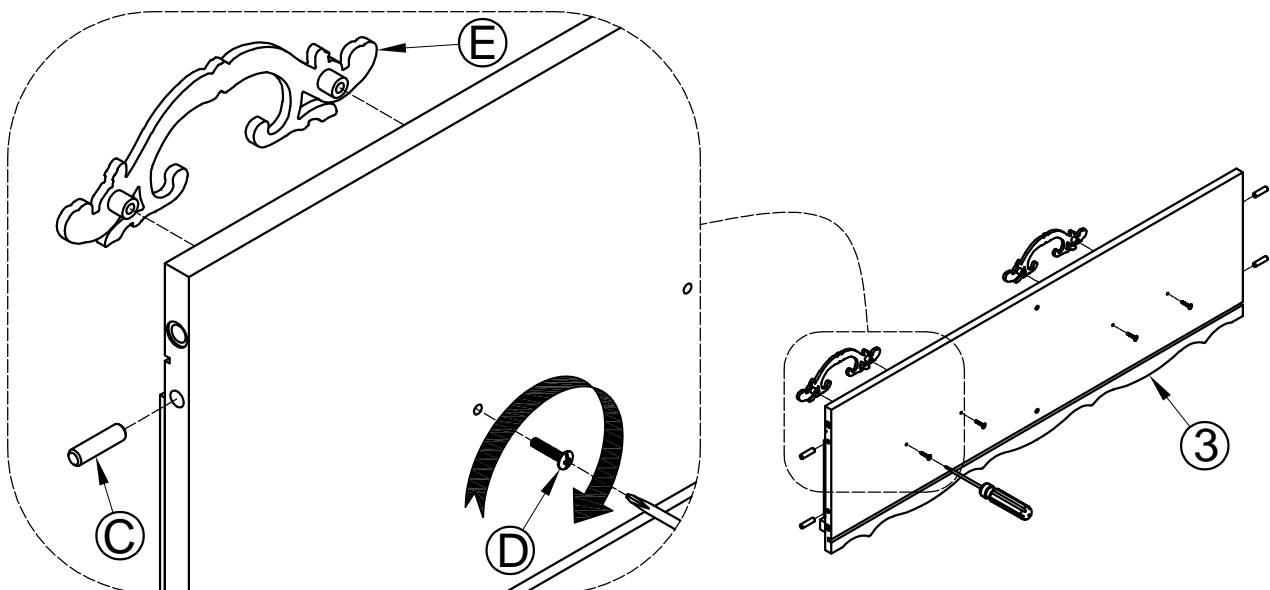
**STEP 3:** Following below illustration



**STEP 4:** Following below illustration

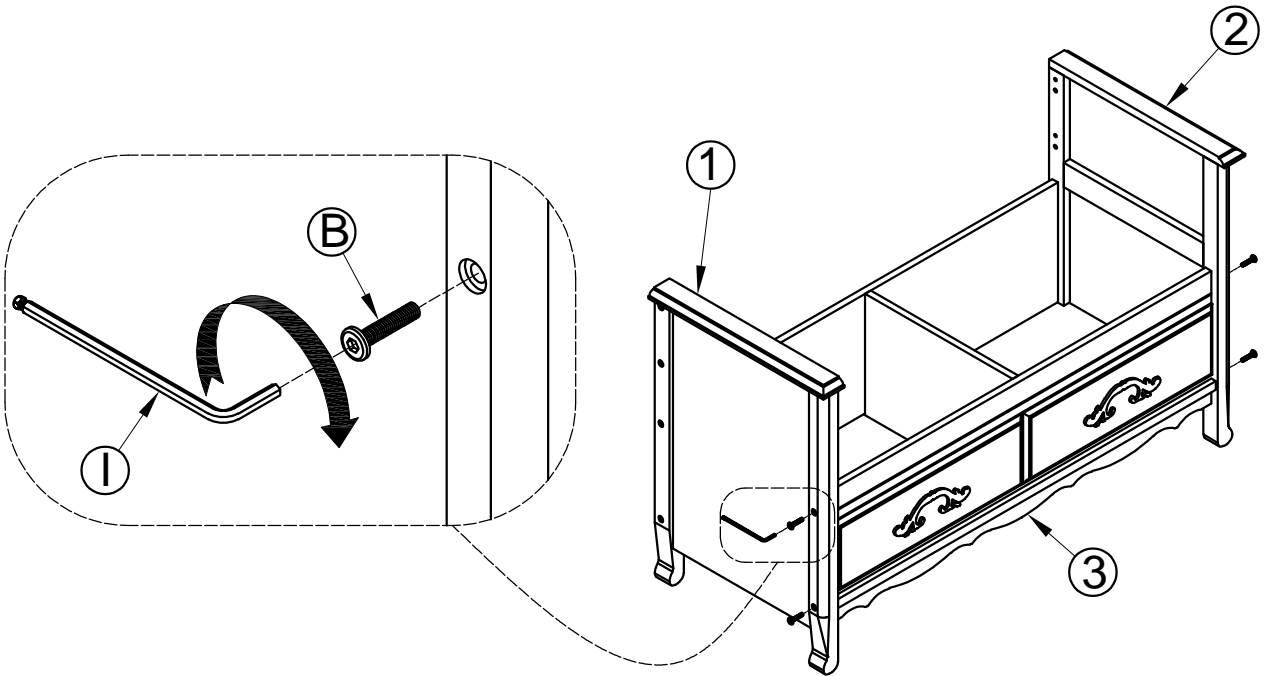
- Using hardware #D connect hardware #E with 3
- Insert wood dowel (C) into (3)

C		4	D		4
E					2

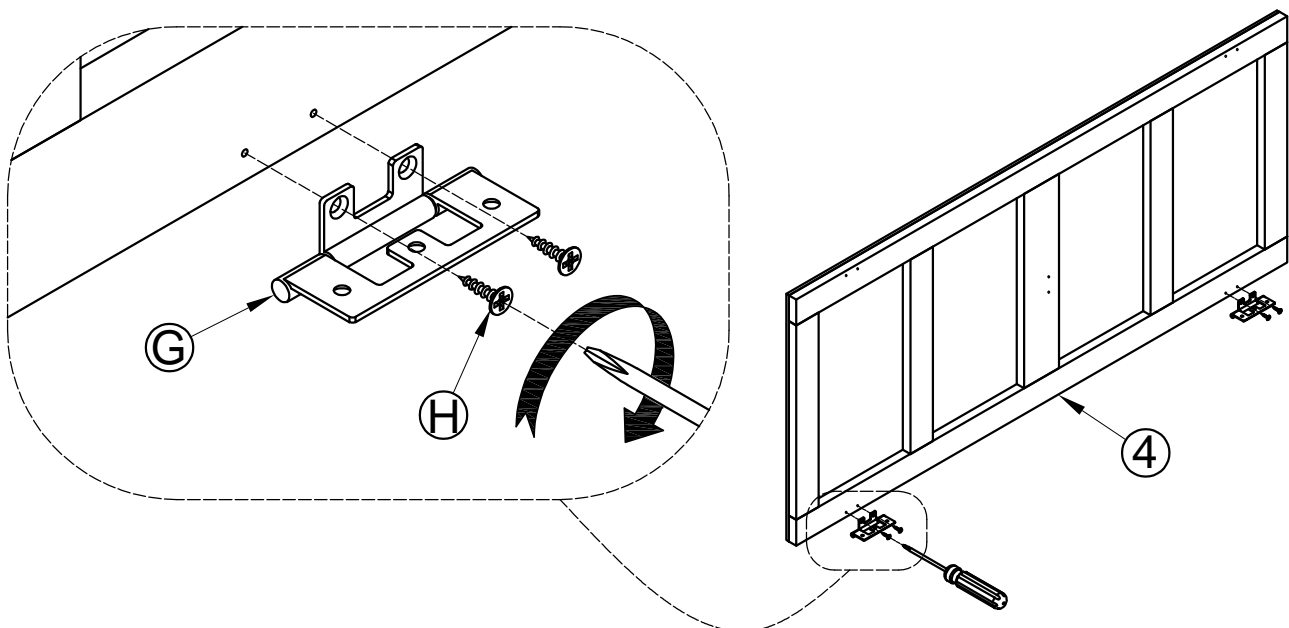





**STEP 5:** Following below illustration  
-Using hardware #B connect 3 with 1, 2

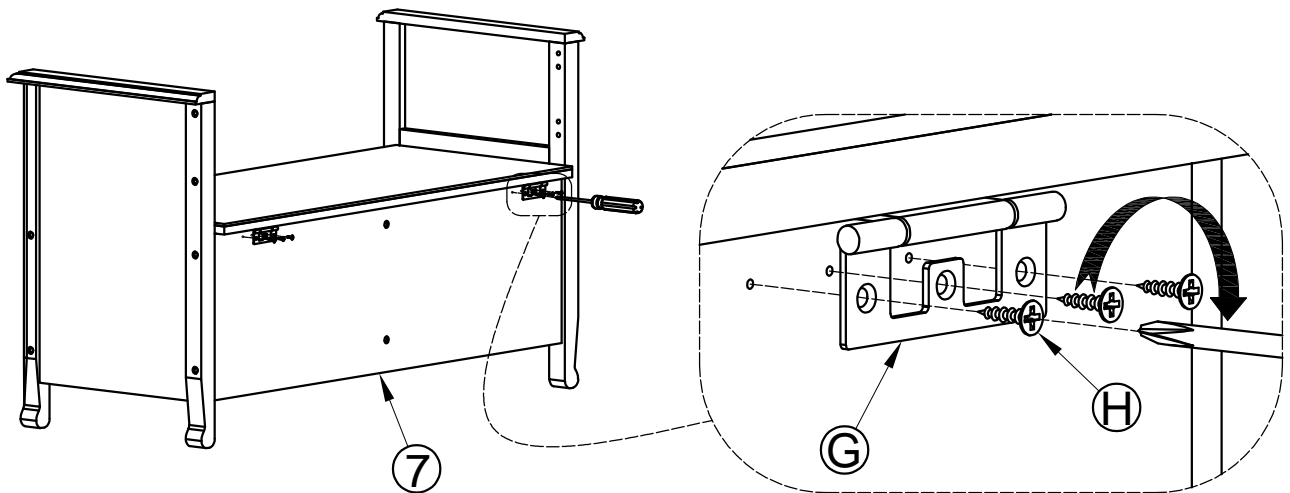


**STEP 6:** Following below illustration  
-Using hardware #H connect hardware #G with 4



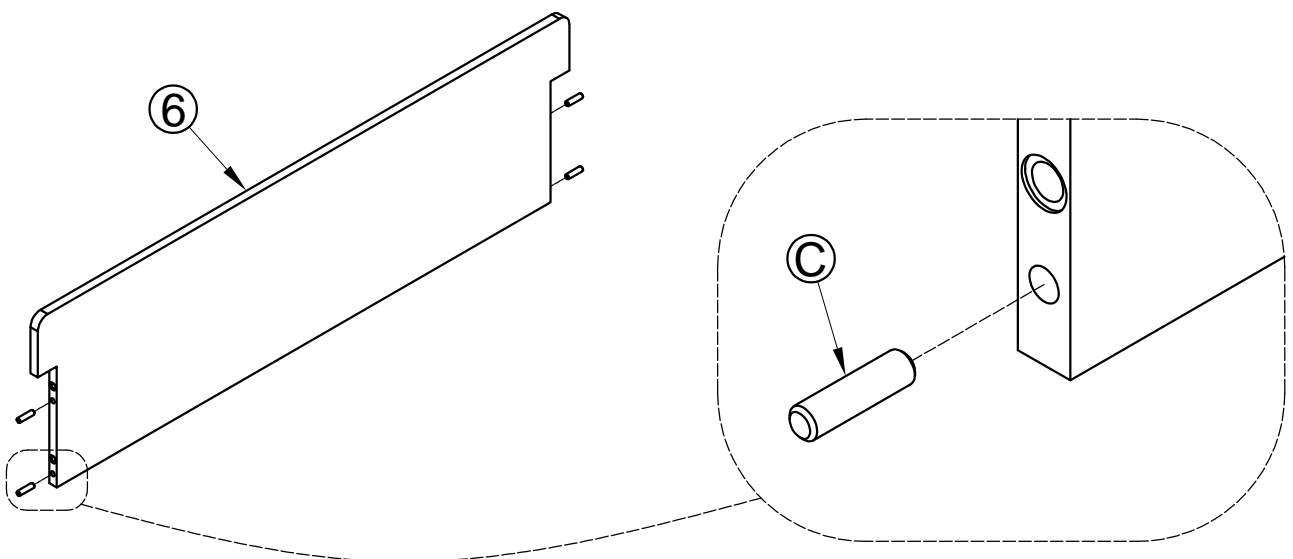
H		6
---	---	---

**STEP 7:** Following below illustration  
-Using hardware #H connect hardware #G with 7



C		4
---	---	---

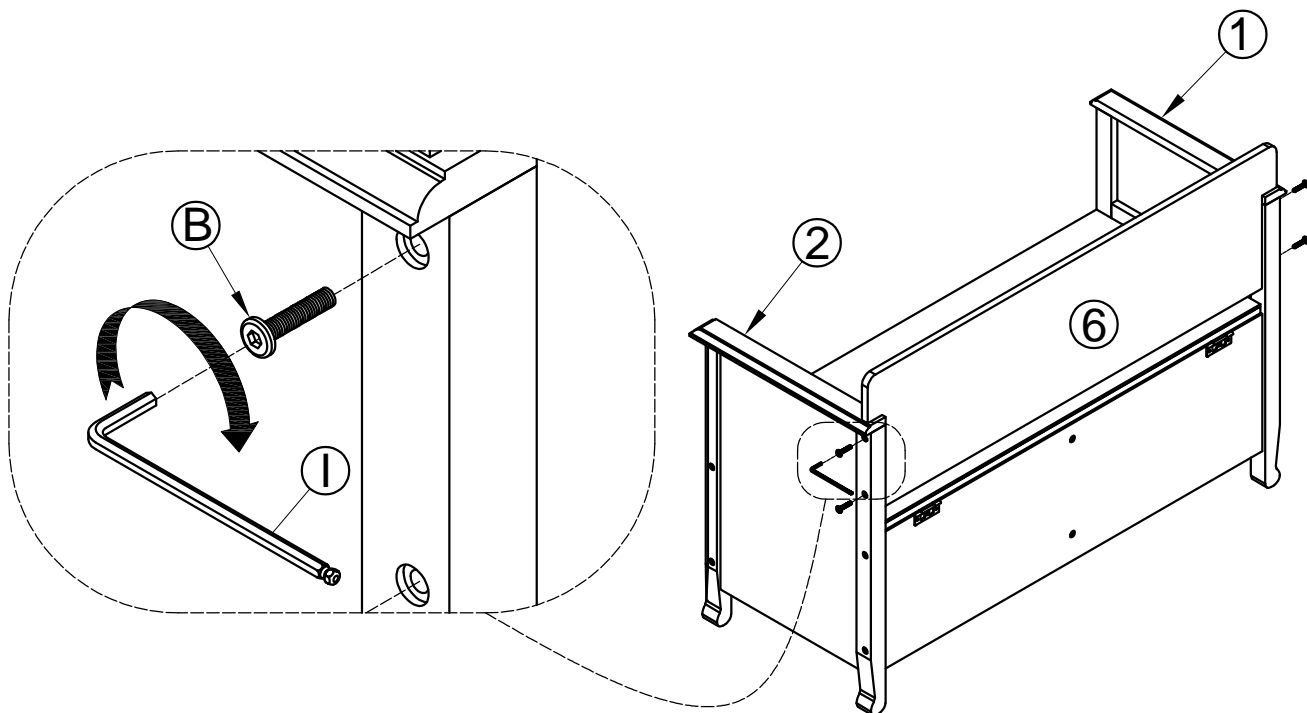
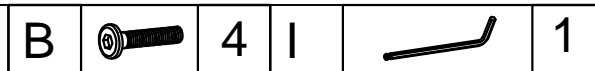
**STEP 8:** Following below illustration  
-Insert wood dowel (C) into (6)



### STEP 9:

Following below illustration

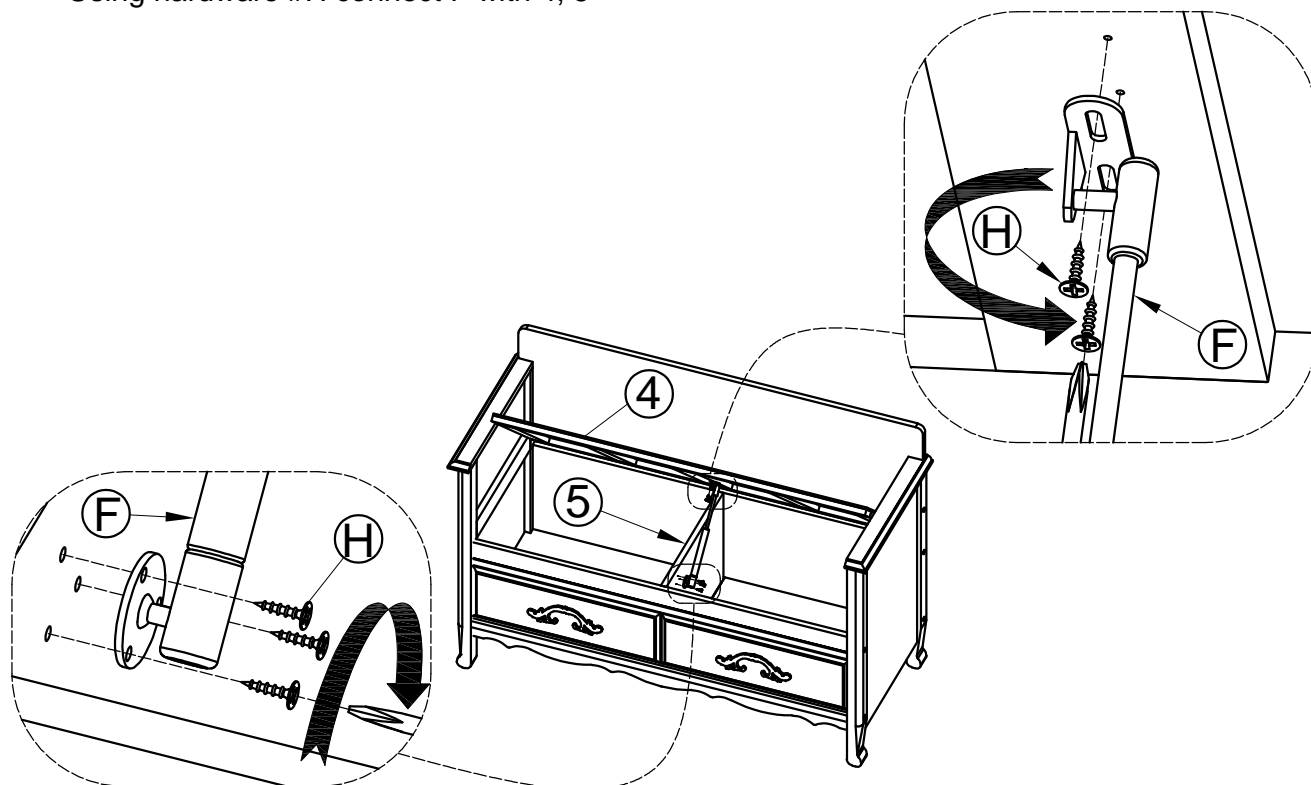
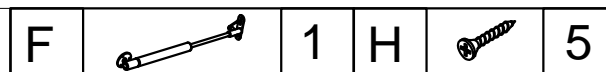
-Using hardware #B connect 6 with 1, 2



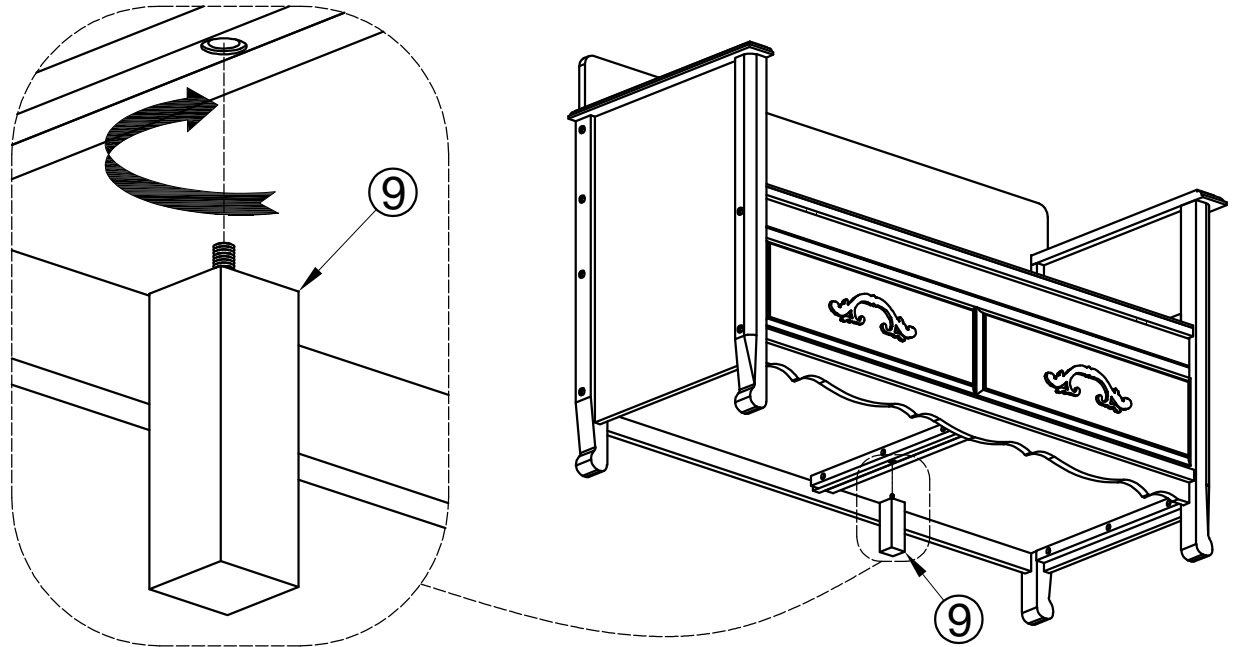
### STEP 10:

Following below illustration

-Using hardware #H connect F with 4, 5

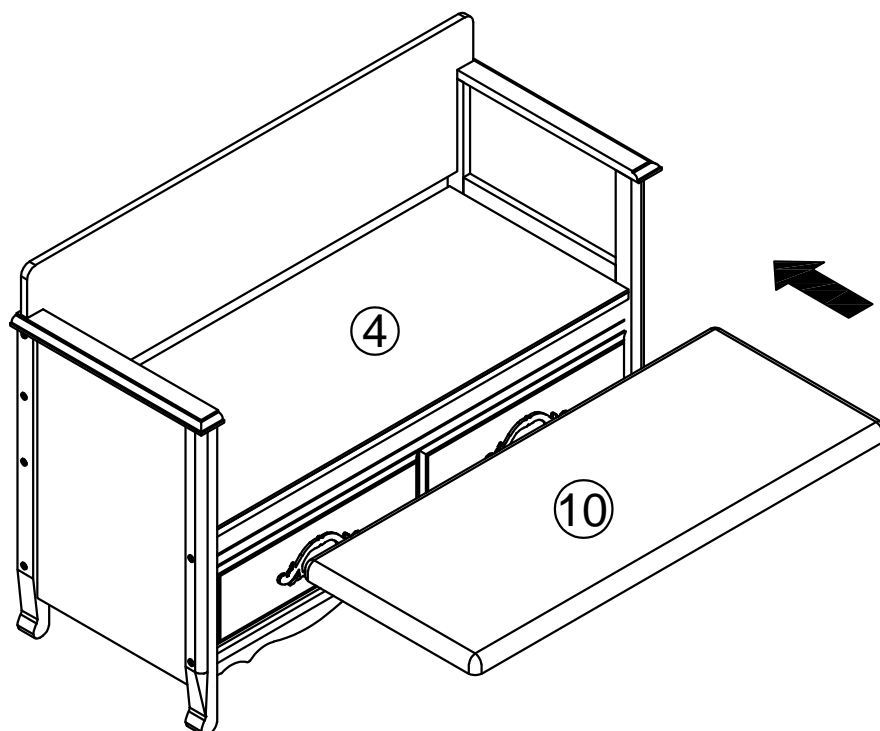


**STEP 11:** Following below illustration



**STEP 12:** Following below illustration

-Put the cushion seat (10) on the seat (4)



**STEP 13:** Complete

