

# **Fairfield Garden Hose Bin Instructions**



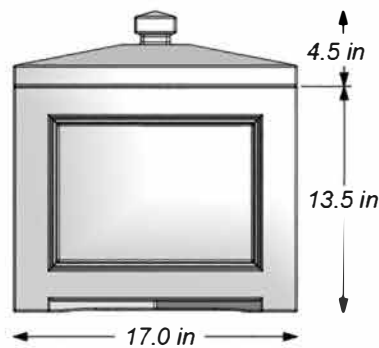
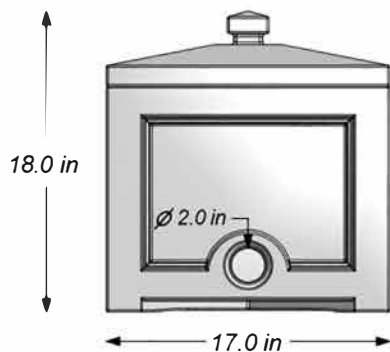
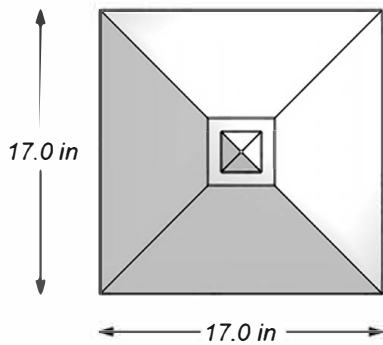
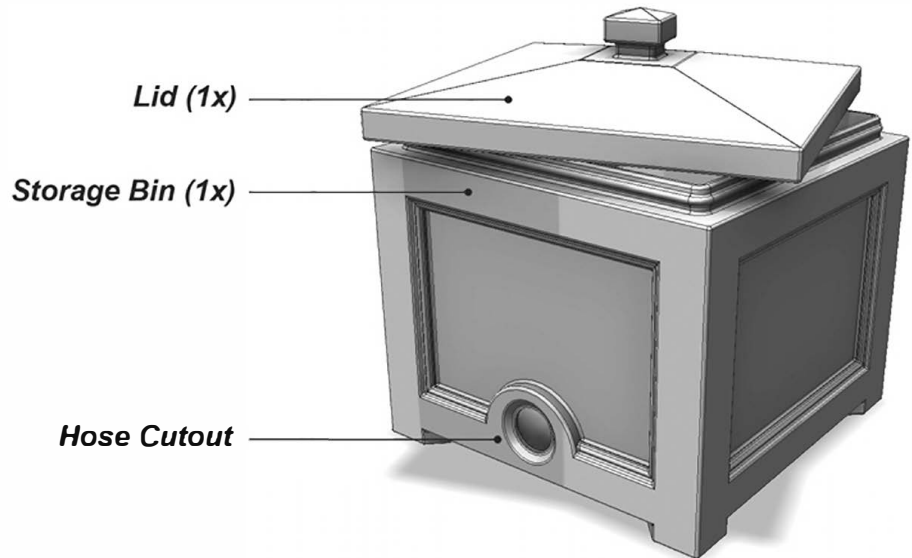
**PACKAGE CONTENTS:** 1x Bin and 1x Lid

**MATERIAL:** Polyethylene

**IMPORTANT NOTES:**

- The Fairfield Hose Bin is designed to hold up to 100 feet of garden hose (*garden hose not included*)
- To clean the product, for best results use a soap solution and high-pressure water
- The molded polyethylene construction is designed to withstand cold temperatures but you may wish to winter store the hose bin in a shed or garage to offer the best protection from extreme cold.

In the event of missing or defective parts, please email [customerservice@gomayne.com](mailto:customerservice@gomayne.com) or call our customer service department toll free at 866-363-8834 (available Monday through Friday, 8am-5pm EST).



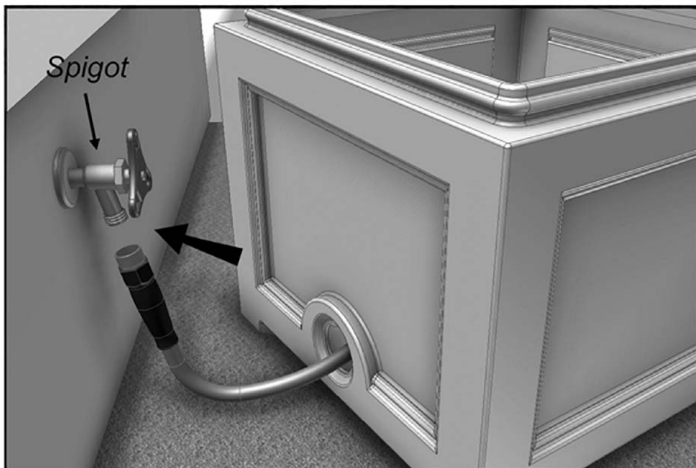
## Fairfield Garden Hose Bin Instructions

1



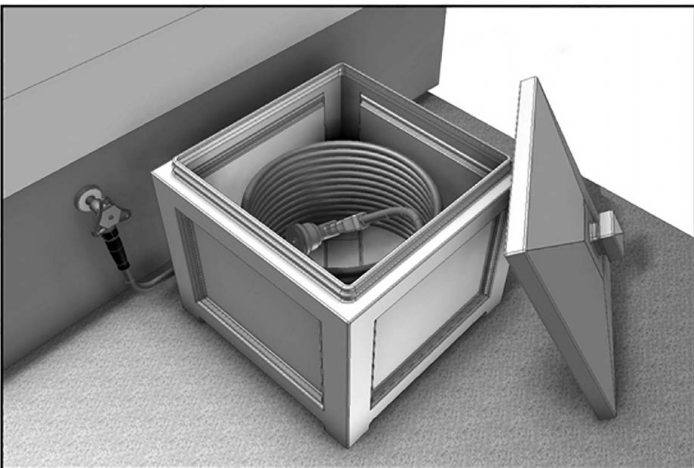
Insert the female end of the garden hose through the hole in the side of the bin.

2



Leave enough extra hose so you can move the bin around after the hose is attached to the spigot.

3



Place the hose bin in the desired location and coil up the garden hose inside.