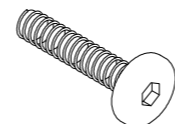
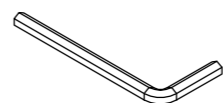
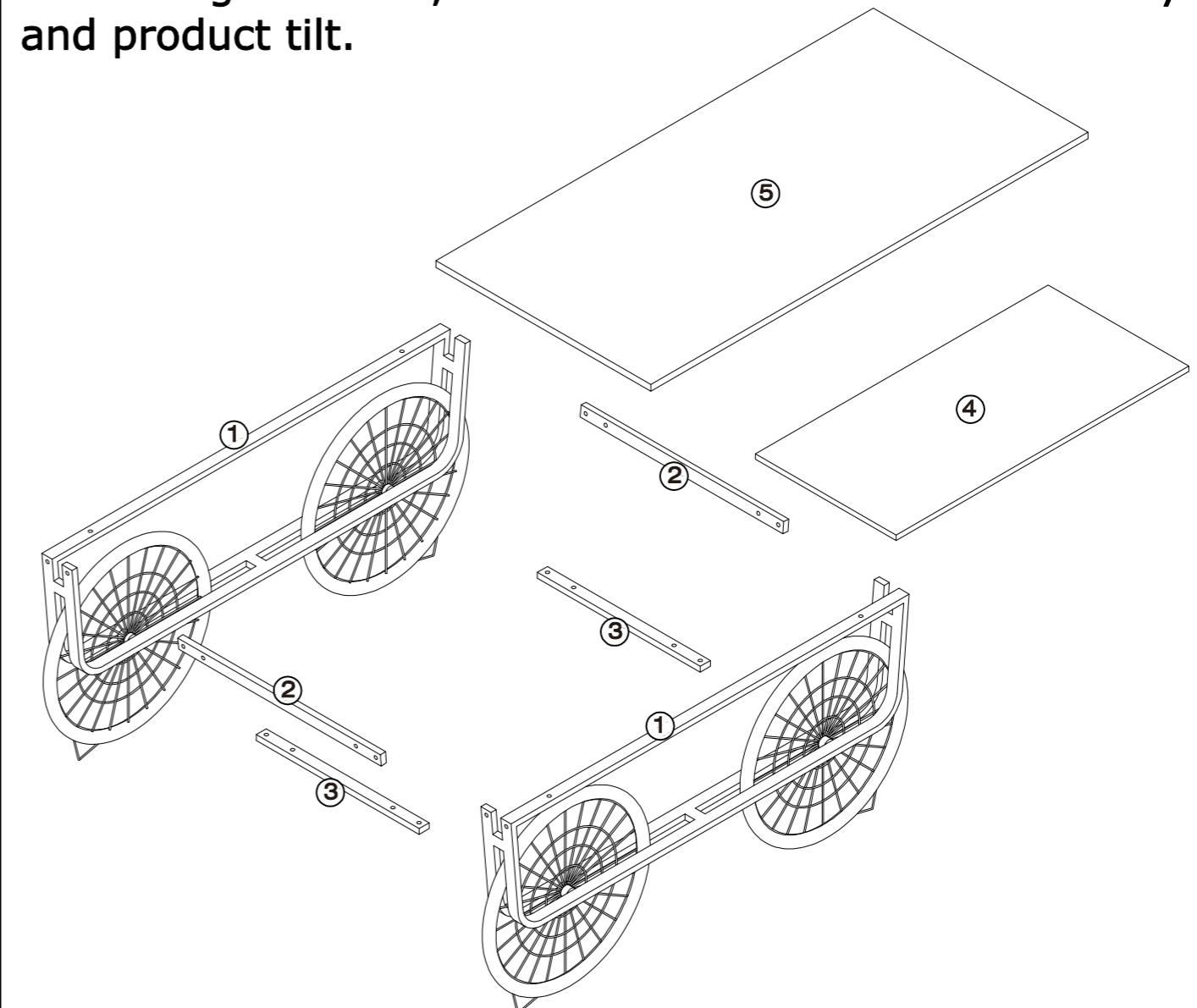


ASSEMBLY INSTRUCTIONS

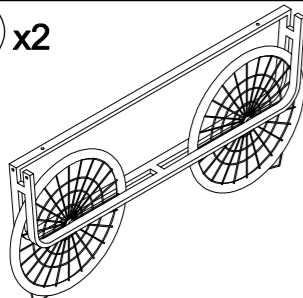
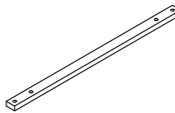
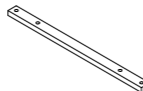
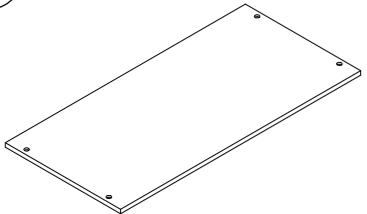
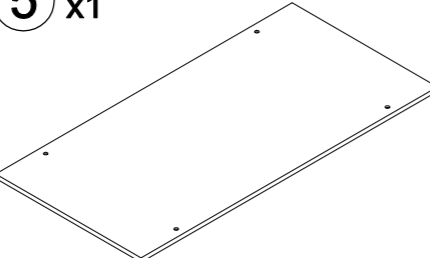
HARDWARE LIST

A x20  1/4 X 7/8	B x1 
--	--

When the process of product assembly, please do not lock the screws at one time, but wait until all the screws are assembled to the position, and then straighten and flatten the product, and then tighten the screws of the same height in turn, so as to avoid unsmooth assembly and product tilt.



PARTS LIST

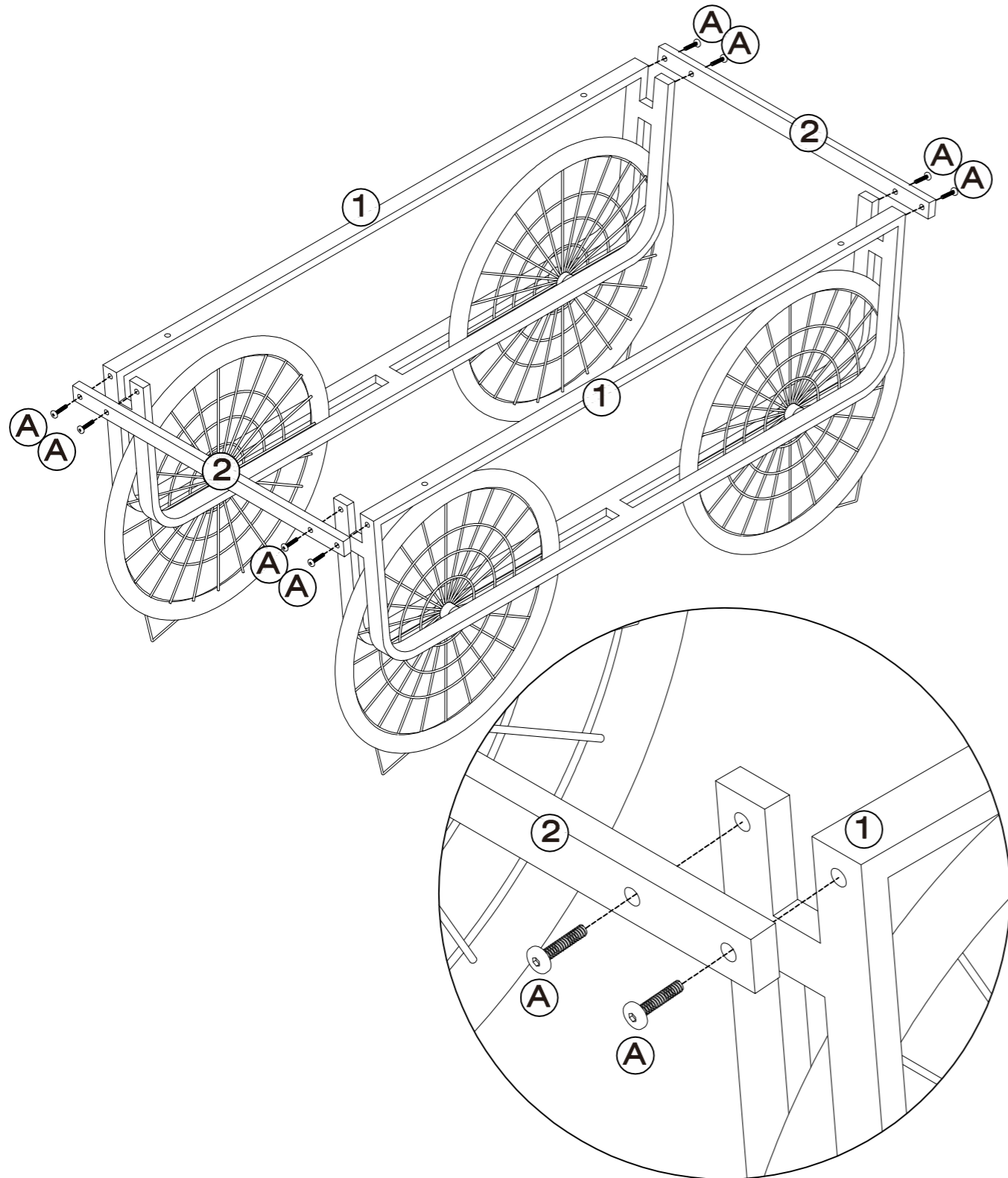
1 x2 	2 x2 	3 x2 
4 x1 	5 x1 	



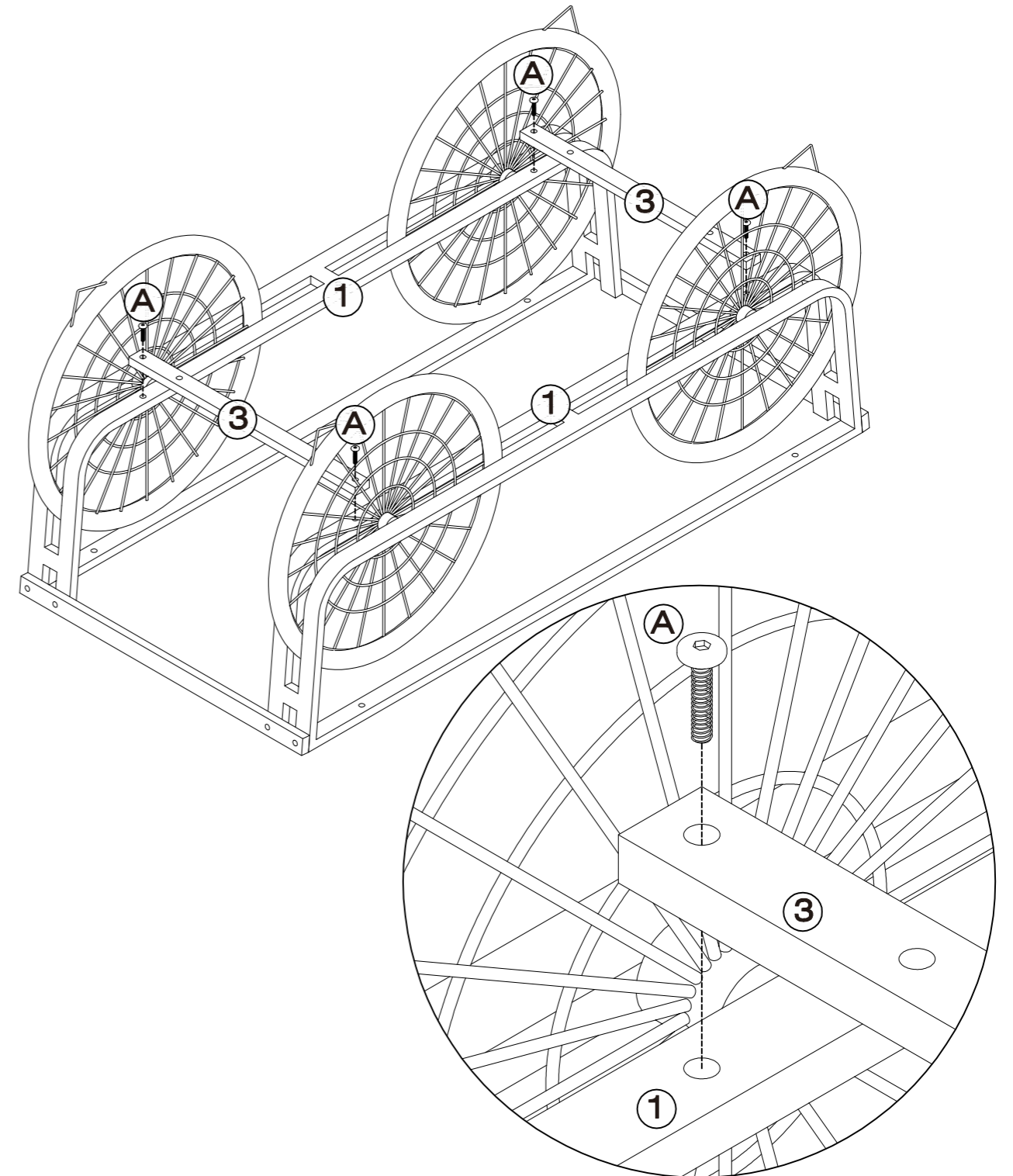
DURING THE ASSEMBLY PROCESS, DO NOT TIGHTEN ALL SCREWS AFTER ASSEMBLY, AND TIGHTEN ALL SCREWS.

ASSEMBLY INSTRUCTIONS

STEP 1

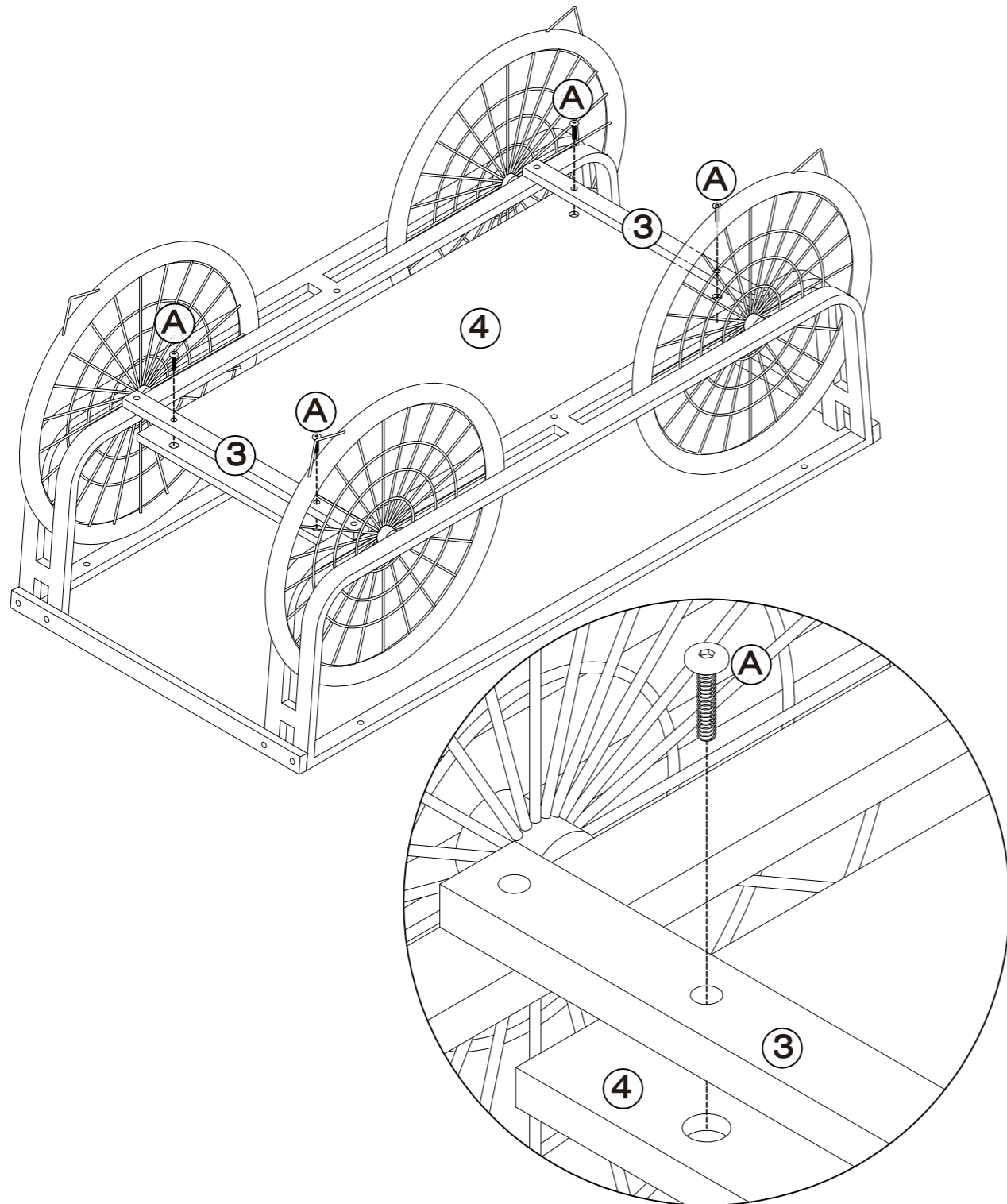


STEP 2

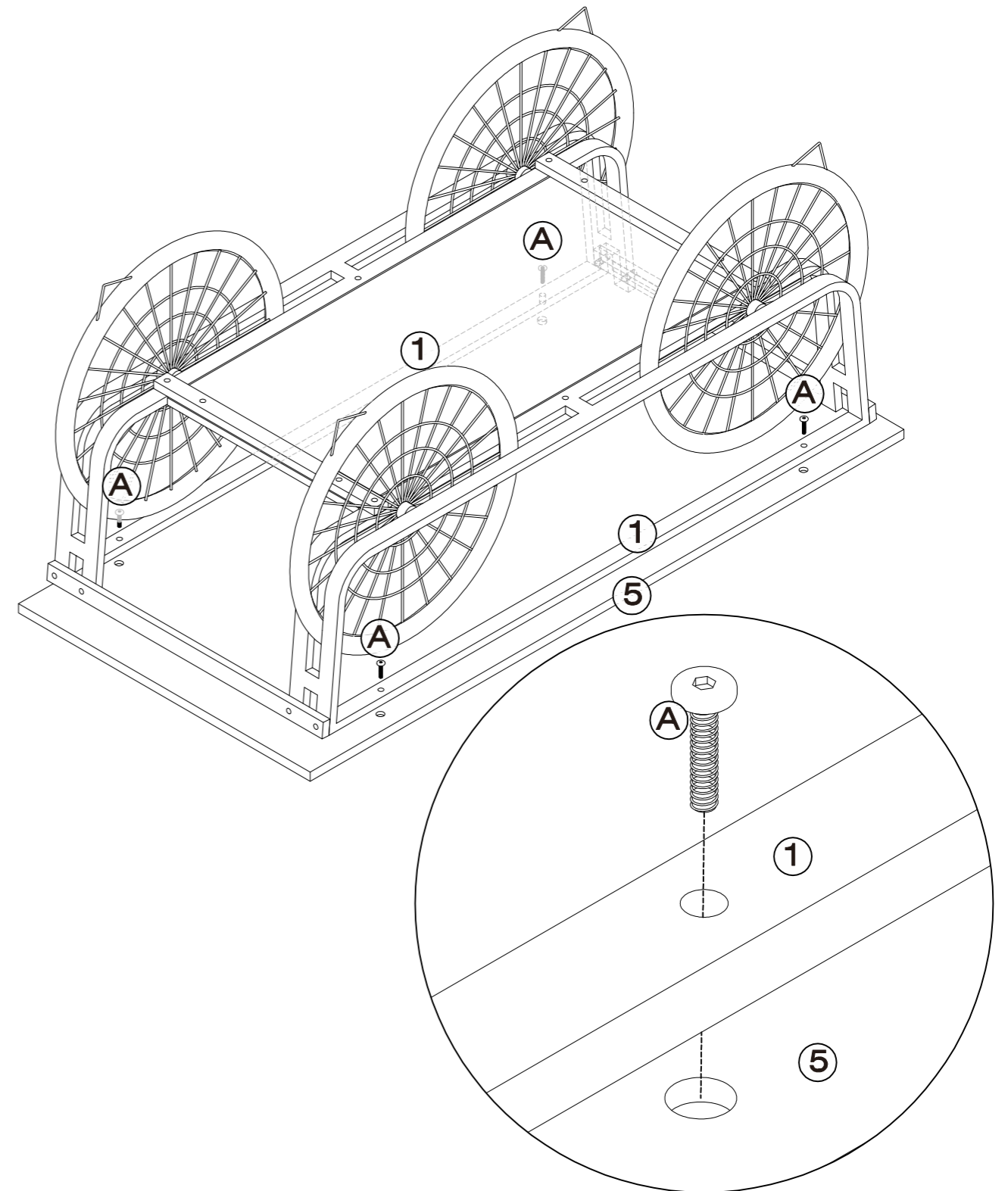


ASSEMBLY INSTRUCTIONS

STEP 3



STEP 4



Check and tighten all screws