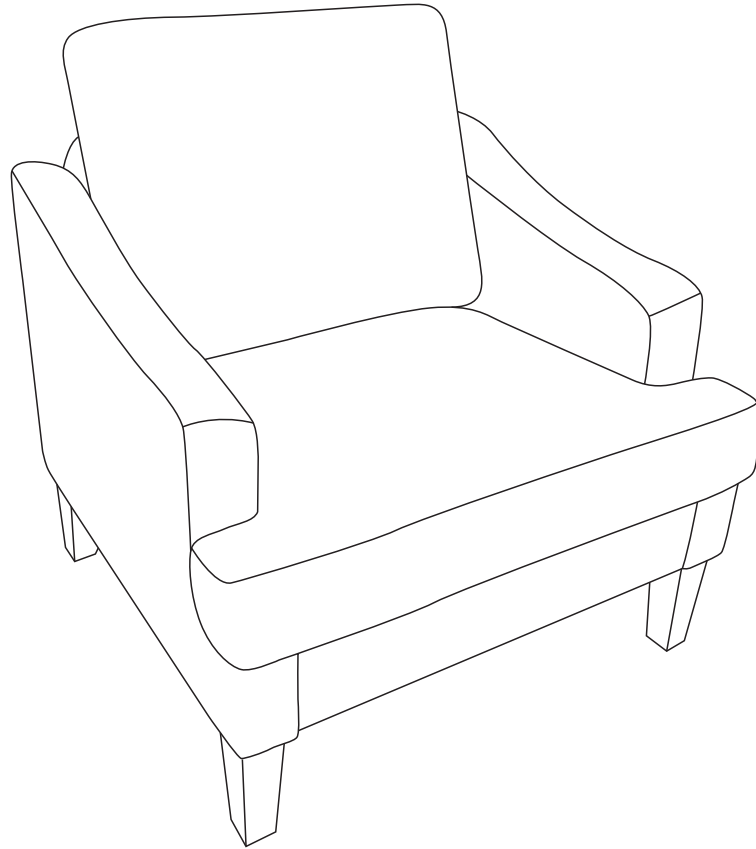


# Assembly Instruction

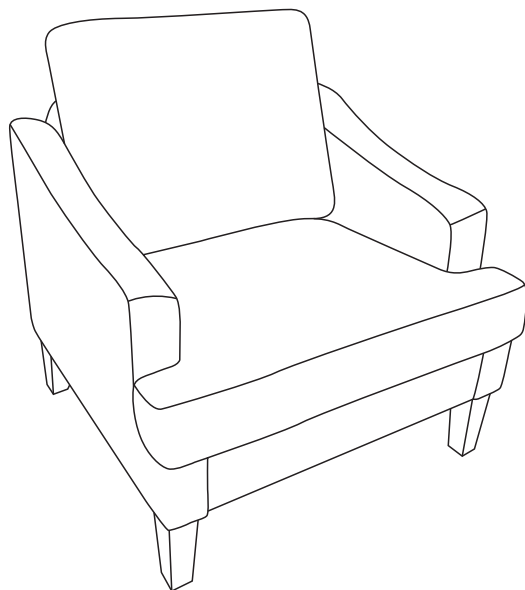
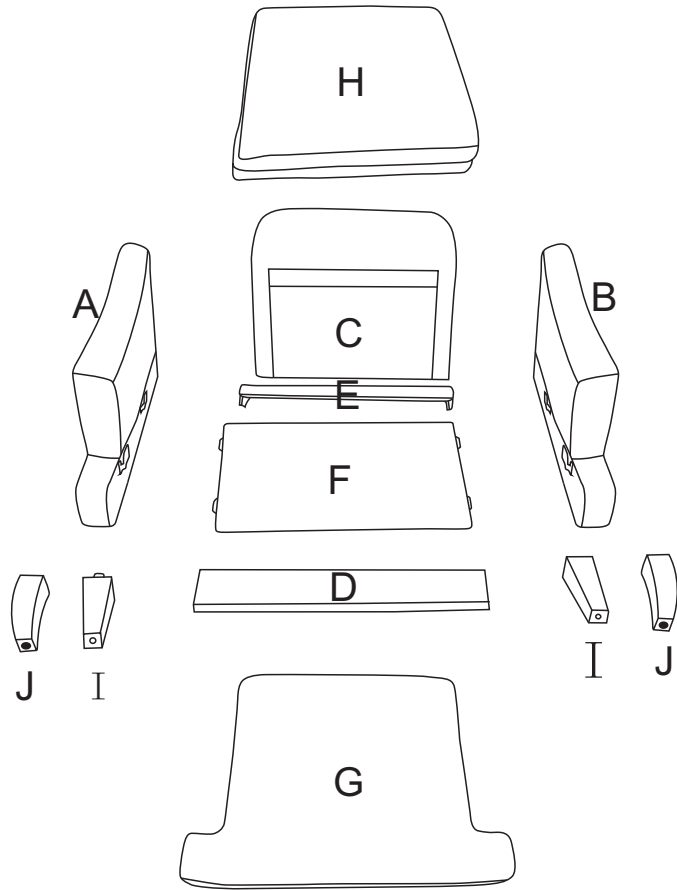




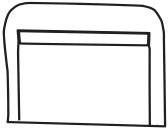
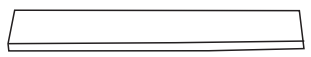

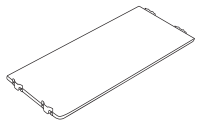





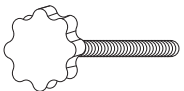
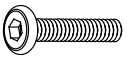

If you have trouble assembling or find any parts missing or damaged, please feel free to contact us for a solution.

The customer service team will work hard to put a smile on your face.

**Note:** If you have any questions about the product, please contact us first and do not open the vacuum compression bag in advance.

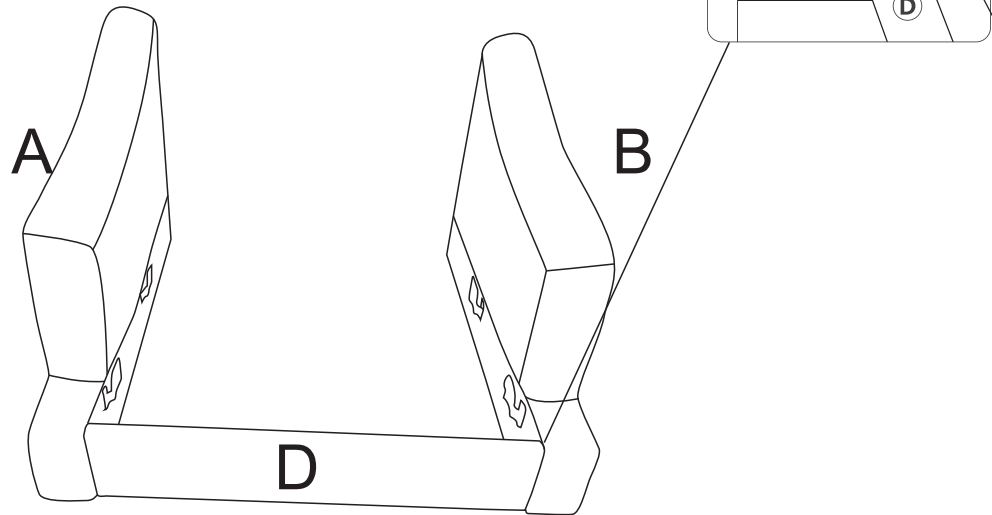
# Components



NO	PARTS	QTY	DESCRIPTION
A		1 PC	Left Armrest
B		1 PC	Right Armrest
C		1 PC	Back Frame
D		1 PC	Front Panel
E		1 PC	Back Panel
F		1 PC	Seat Frame
G		1 PC	Seat Cushion
H		1 PC	Back Cushion
I		2 PCS	Front Leg
J		2 PCS	Back Leg
K		4 PCS+1	Washer
L		4 PCS+1	M8*50mm Plum Flower Screw
M		2 PCS+1	M6*20mm Screw
N		1 PC	Allen Key

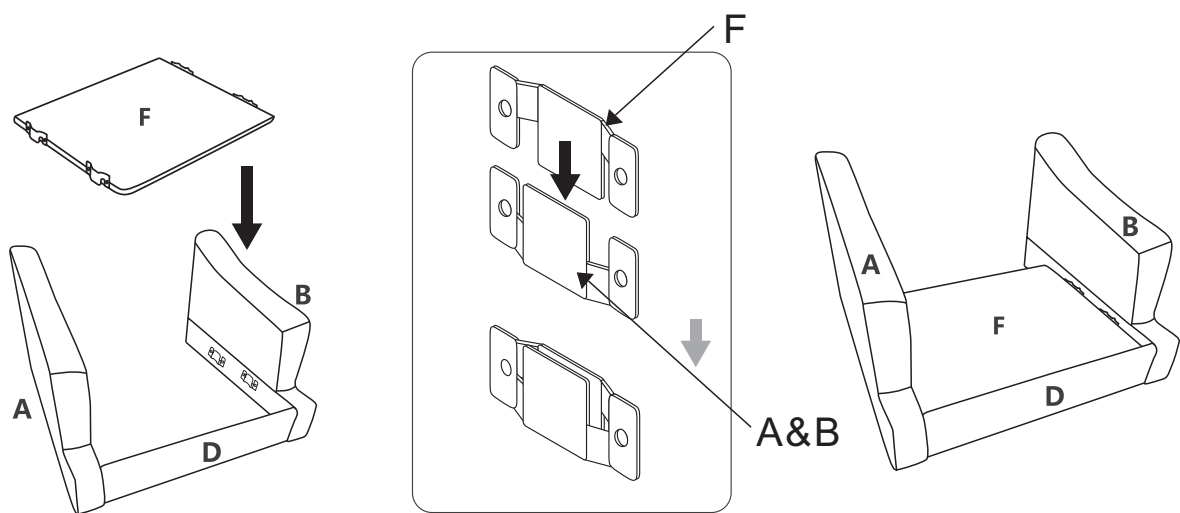
## STEP 1

Insert the Front Panel D into the screws pre-installed in the Left and Right Armrest A and B  
Note: No need to tighten the screws



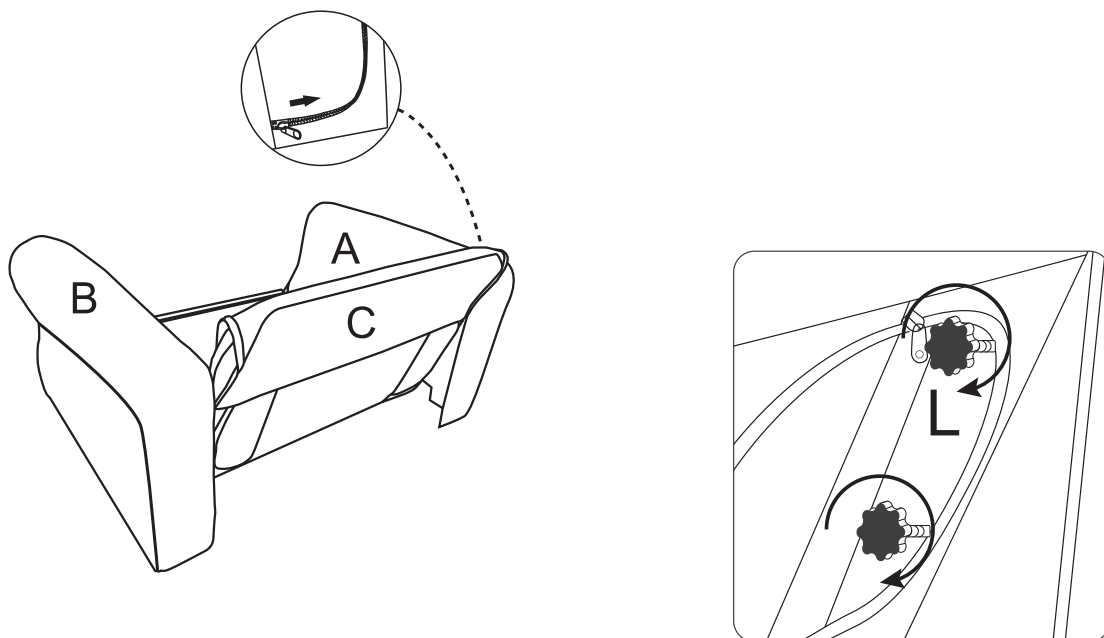
## STEP 2

Insert the Seat Frame F into Left and Right Armrest A and B



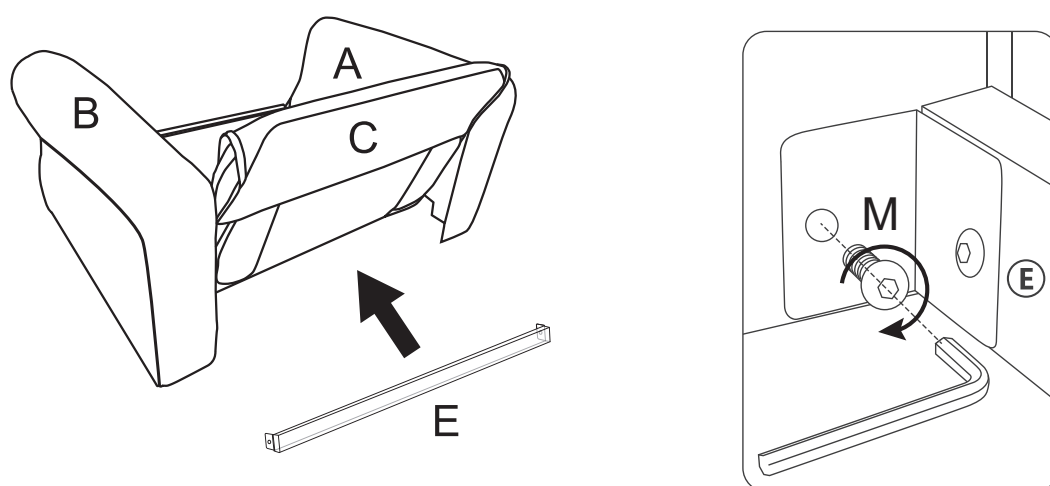
### STEP 3

1. Open the back zipper first
2. Connect C to handrail A/B with screw L



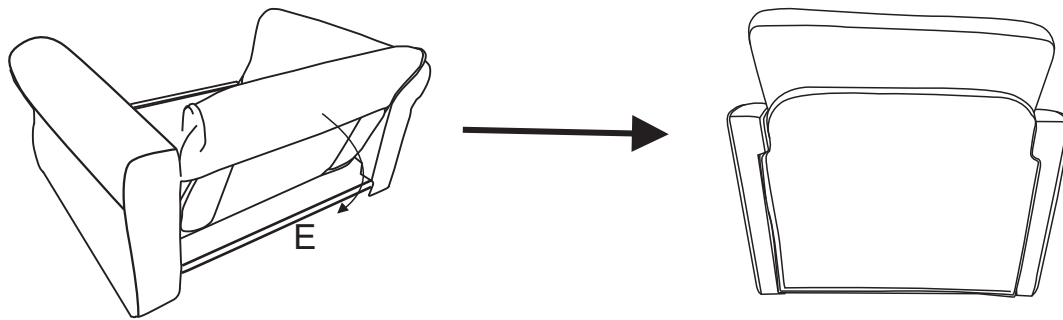
### STEP 4

Secure the Back Panel E and Armrest A and B with screw M



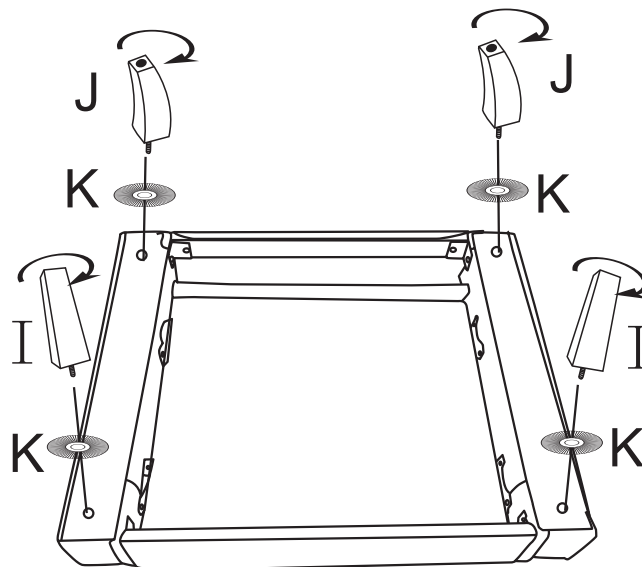
**STEP 5**

Secure it in place using velcro



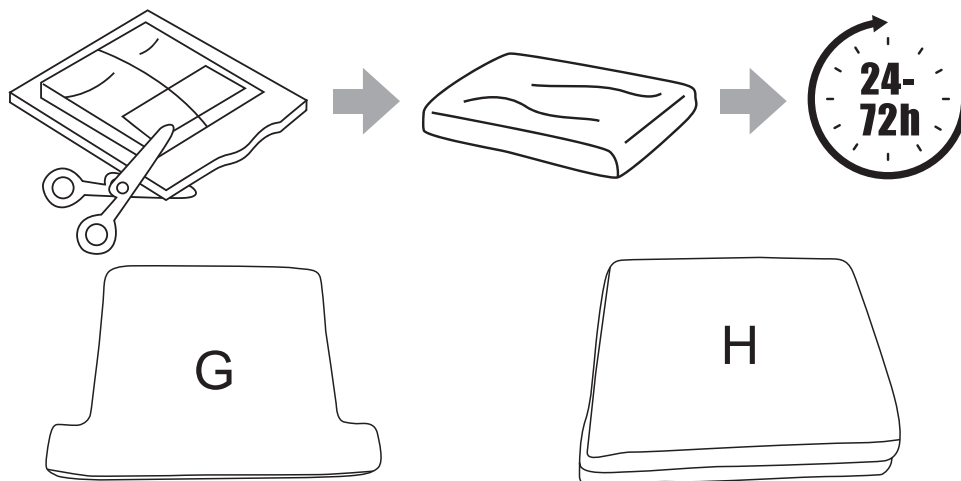
**STEP 6**

Attach the Front Legs I and Back Legs J with Washer K



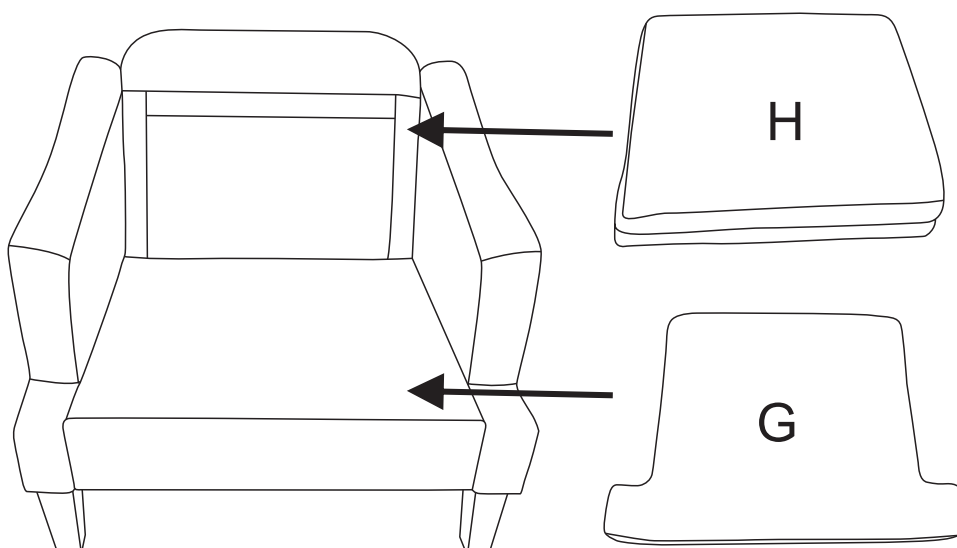
## STEP 7

If you confirmed the sofa frame fits your space and are satisfied with this product, then just go ahead to open the vacuum G and H



## STEP 8

Place the Back Cushion H and Seat Cushion G into position. Congrates! Enjoy your new sofa



**STEP 9**

Well done!

