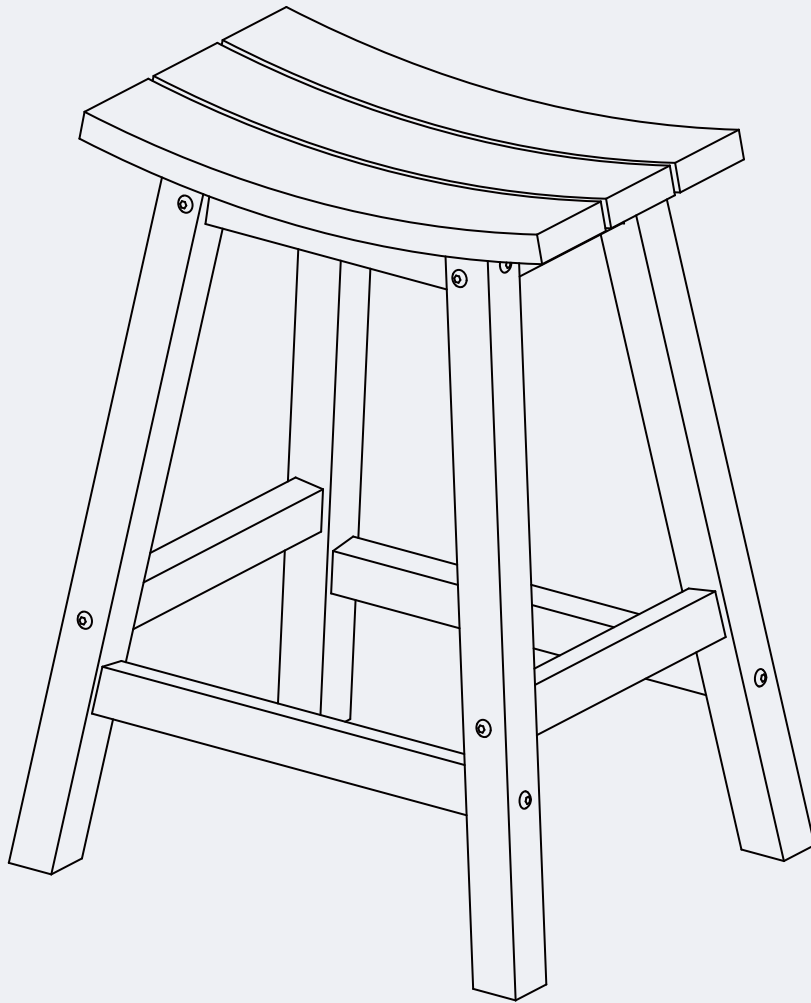


# INSTRUCTION MANUAL



24" Saddle Bar Stool

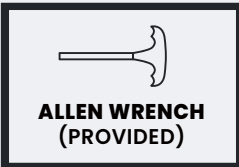
V1.0

## ! CARE & MAINTENANCE

### Do not overtighten screws. (Insert all screws before tighten screws.)

- Please do not exceed the weight limitations of this item.
- Do not stand on or use any part of this item as a step ladder.
- Firmly secure all bolts, screws and nuts before use.
- Reconfirm that all bolts, screws, and nuts are secure every 90 days.
- Do not use or store this item in the proximity of open flame or flammable/combustible chemicals.
- Be aware that some parts are heavy and have sharp edges.

## TOOLS REQUIRED



**STOOL  
330 LBS  
CAPACITY**

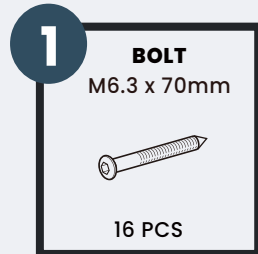


**1 PERSON  
ASSEMBLY**

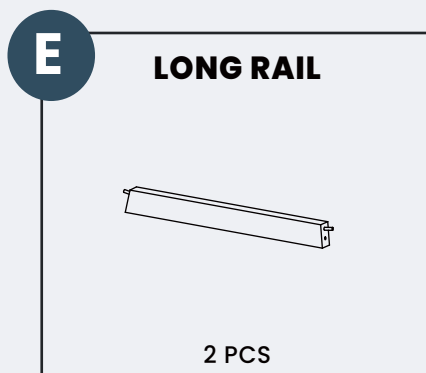
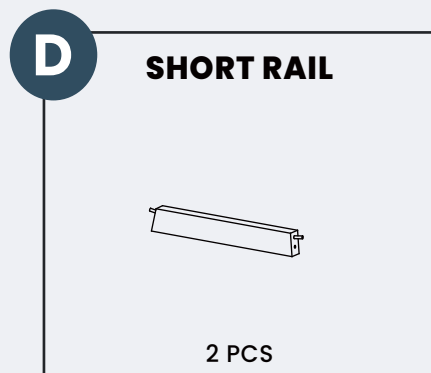
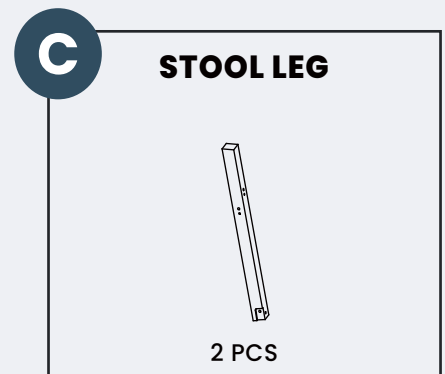
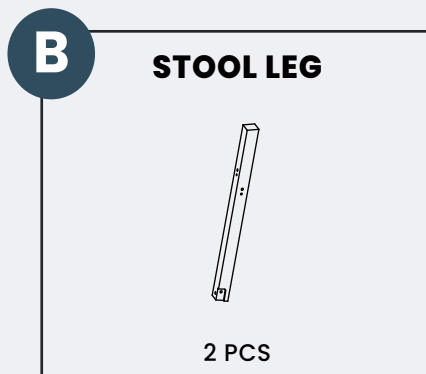
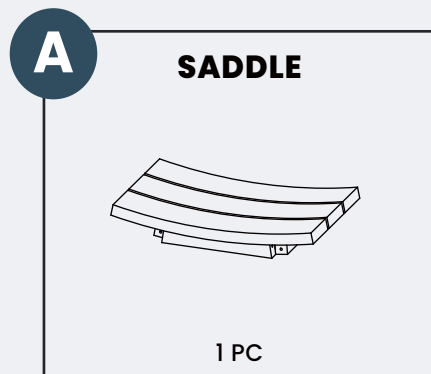


**UP TO 20 MIN.  
ASSEMBLY**

## HARDWARE

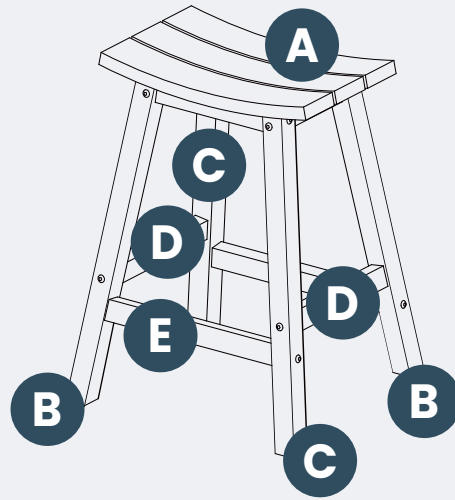


## PARTS



## PRODUCT ASSEMBLY – OVERALL VIEW

Look at following overall view of this stool and exact position of each parts to be assembled.

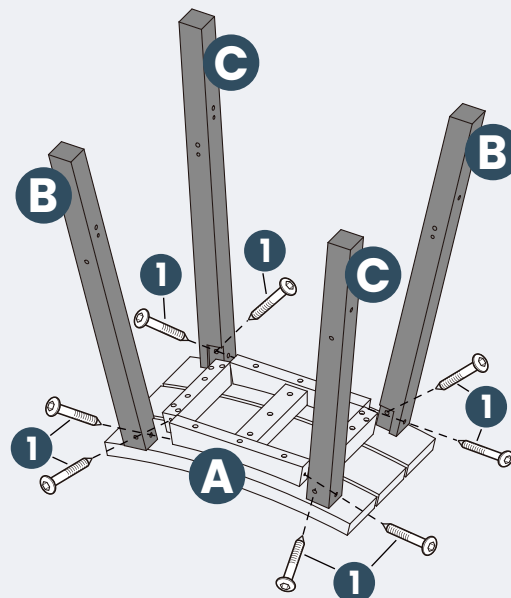


## PRODUCT ASSEMBLY

**1**

Attach **Part B & C Stool Legs** to **Part A Saddle** with 8 pcs of **Hardware #1 Bolt**.

Do not tighten screws too much at this step.

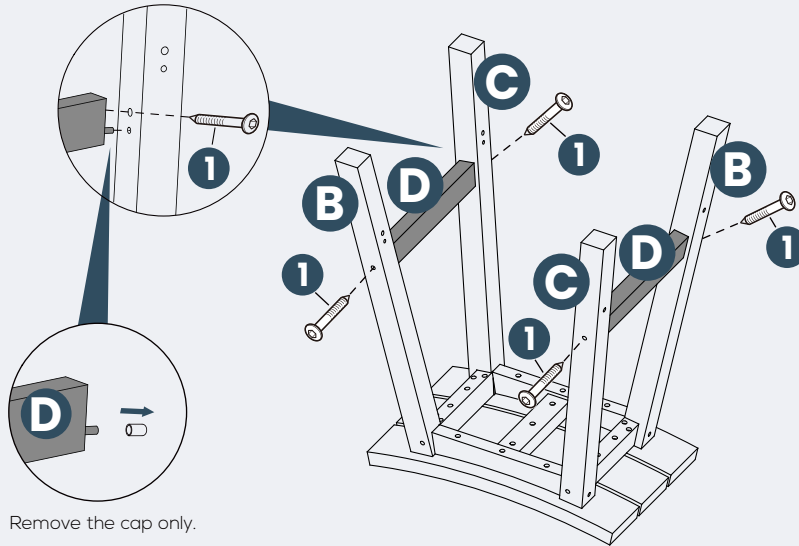


## PRODUCT ASSEMBLY

2

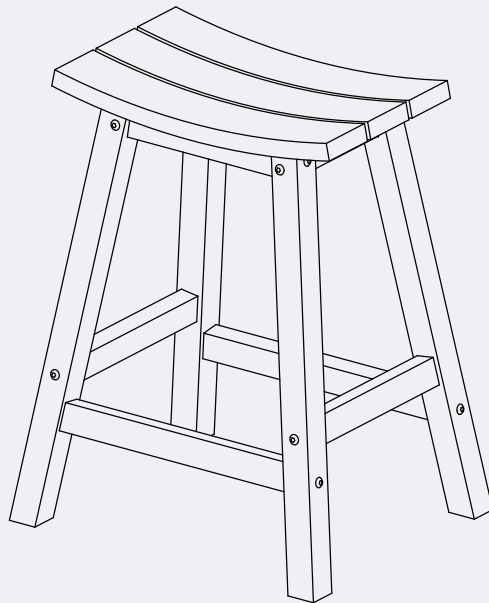
Remove the cap from the safety pin before you fix the **Part D Short Rail** to **Part B & C Stool Legs**.

Attach **Part D Short Rail** to **Part B & C Stool Legs** with 4 pcs of **Hardware #1 Bolt**. Do not tighten screws too much at this step.



3

Tighten all the bolts and finish the assembly.



---

## CLEANING TIPS

**REGULAR CLEAN:** Use a mixture of warm water and mild soap. Gently scrub the surface with a soft bristle brush to remove any dirt or stains.

**QUICK CLEAN:** You can simply wipe down the furniture with a damp cloth.

Regular cleaning not only preserves the aesthetic appeal of your furniture, but also helps extend its lifespan.