

# GG500SV

## GE® 500 Series 30" Slide-in Gas Range

### DIMENSIONS AND INSTALLATION INFORMATION (IN INCHES)

Provide adequate clearances between the range and adjacent combustible surfaces. These dimensions must be met for safe use of your range.

Allow 30" (76.2 cm) minimum clearance between burners and bottom of unprotected wood or metal cabinet, or allow a 24" (61 cm) minimum when bottom of wood or metal cabinet is protected by no less than 1/4" (6.4 mm) thick flame-retardant millboard covered with no less than No. 28 MSG sheet metal (.015" [.38 mm] thick), .015" (.38 mm) thick stainless steel, .025" (0.64 mm) aluminum or .020" (0.5 mm) copper.

Installation of a listed microwave oven or cooking appliance over the cooktop shall conform to the installation instructions packed with that appliance.

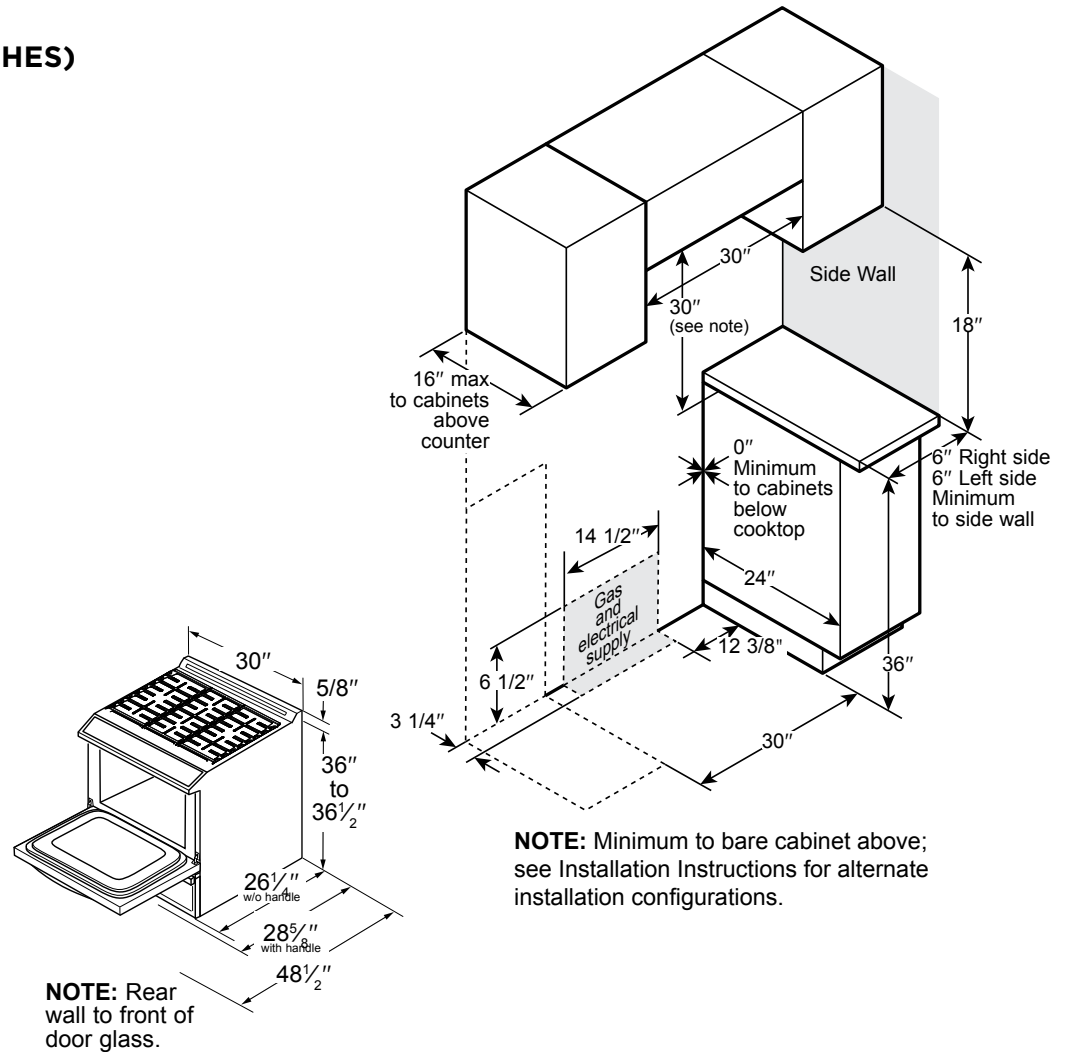
For island installation, maintain 2-1/2" minimum from cutout to back edge of countertop and 3" minimum from cutout to side edges of countertop.

**NOTE:** Door handle protrudes 3" from door face. Cabinets and drawers on adjacent 45° and 90° walls should be placed to avoid interference with the handle.

**NOTE:** Cabinets installed adjacent to slide-in ranges must have an adhesion spec of at least 194° temperature rating.

**INSTALLATION INFORMATION:** Before installing, consult installation instructions packed with product for current dimensional data.

For all installations, install the required rear trim to back of range with 4 screws provided.



For answers to your Monogram, GE Café™, GE Profile™ or GE Appliances product questions, visit our website at [geappliances.com](http://geappliances.com) or call GE Answer Center® Service, 800.626.2000.



All GE ranges are equipped with an Anti-Tip device. The installation of this device is an important, required step in the installation of the range.

# GG500SV

## GE® 500 Series 30" Slide-in Gas Range

### FEATURES AND BENEFITS

Slide-In Range - Easily upgrade your kitchen with this new slide-in range that is guaranteed to fit into your existing space.

Crisp Mode - Crisp Mode uses the bake and broil elements to deliver air-fry like results. Perfect for your favorite air-fried foods, this mode uses a preheat to get to temperature, then delivers fantastic crispy results.

Express Preheat

5-Burner Gas - Five powerful gas burners make for an efficient cooking experience on this expansive and flexible cooktop.

15,000 BTU Power Boil Burner - Boil water faster with a 15,000 BTU Power Boil element that delivers high heat for quick boiling.

Extra-Large Integrated Non-Stick Griddle - With an integrated griddle that is 20% larger than leading competition, you can cook up to six grilled cheeses at once.

Edge-to-Edge Cooktop - A large cooking surface gives you extra room for pots and pans of all sizes and lets cookware move easily from burner to burner

Center Oval Burner - Custom cookware and griddles easily fit on this powerful fifth central oval burner that offers a flexible cooking solution.

Precise Simmer Burner - Prepare your delicate dishes over the low, even heat of this precise simmer burner.

Steam Clean - Save time and effort by steam-cleaning the oven after use without the need for special water, kits or extra steps thanks to this simple steam clean oven function.

Heavy Duty, Dishwasher-Safe Grates - Enjoy a safe and easy-to-clean solution thanks to these heavy duty, dishwasher-safe grates.

Oven Storage Drawer - This model features a removable oven storage drawer that offers the perfect place to store cookware and other kitchen accessories.

Large Capacity Oven - Cook an entire meal at once with room to spare in this oven with 5.3 cubic foot capacity.

In-Oven Broil - This oven with full coverage broil element means hassle-free meal preparation with simple, in-oven broiling.

Model GGS500SVSS - Stainless Steel



### FIT GUARANTEE

Replace your old 30" free-standing range with a new 30" slide-in model. GE slide-in ranges are guaranteed for an exact fit or GE Appliances will pay up to \$300 toward modifications.

Visit [geappliances.com](http://geappliances.com) for more info.

