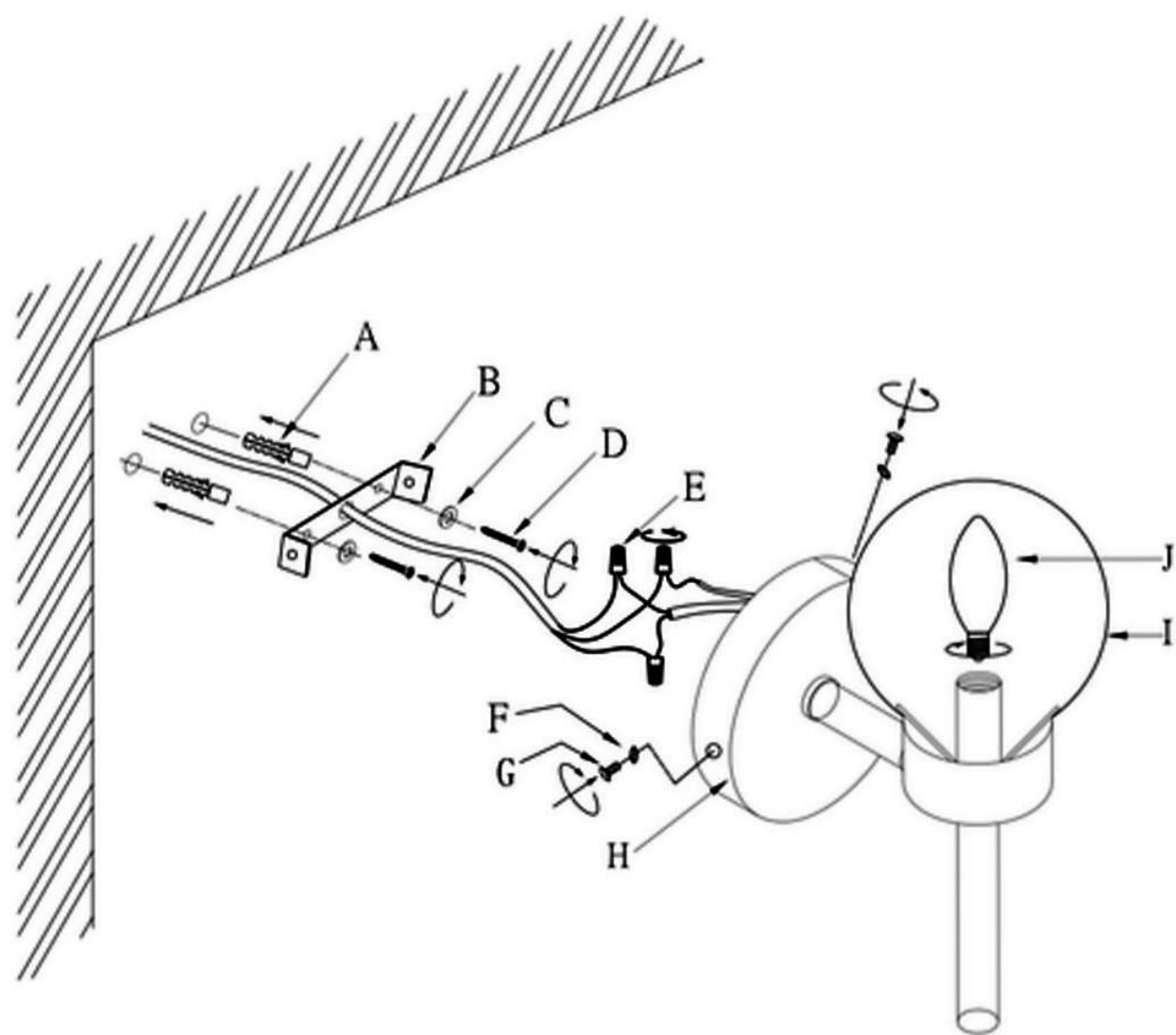


## Assembly Instructions



120V E12 MAX 15W