



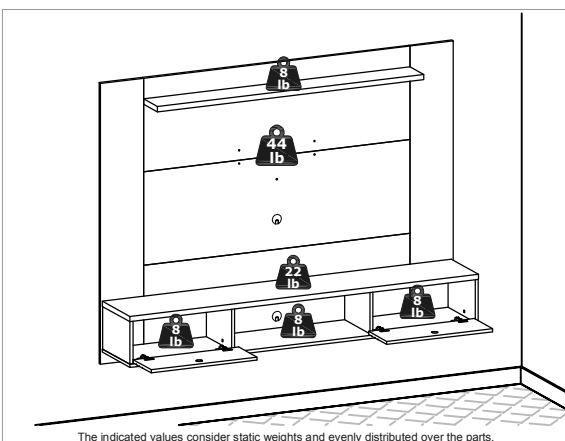
MANHATTAN
COMFORT

888-230-2225
help@manhattancomfort.com



Liberty 70.86 Floating Entertainment Center

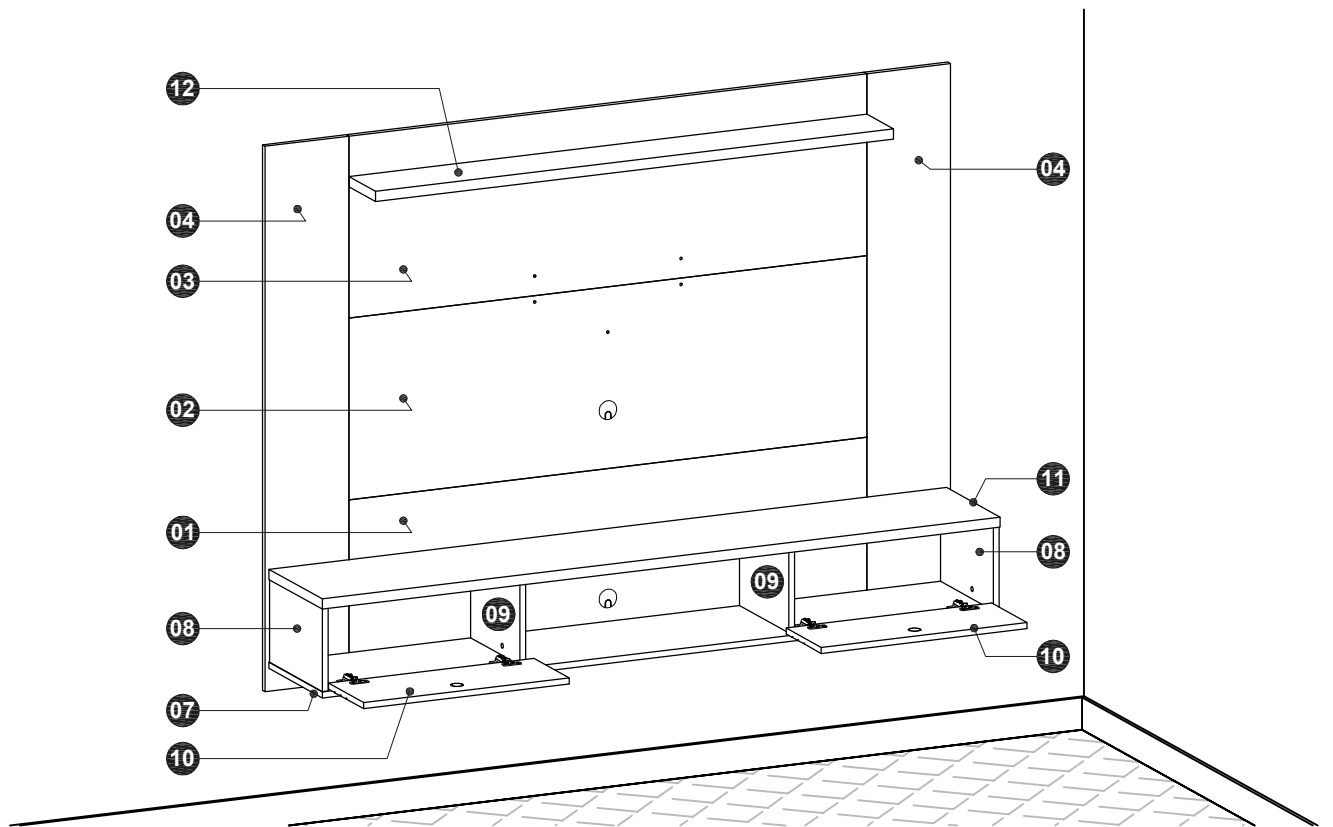
Model # 235BMC6, 235BMC8, 235BMC9



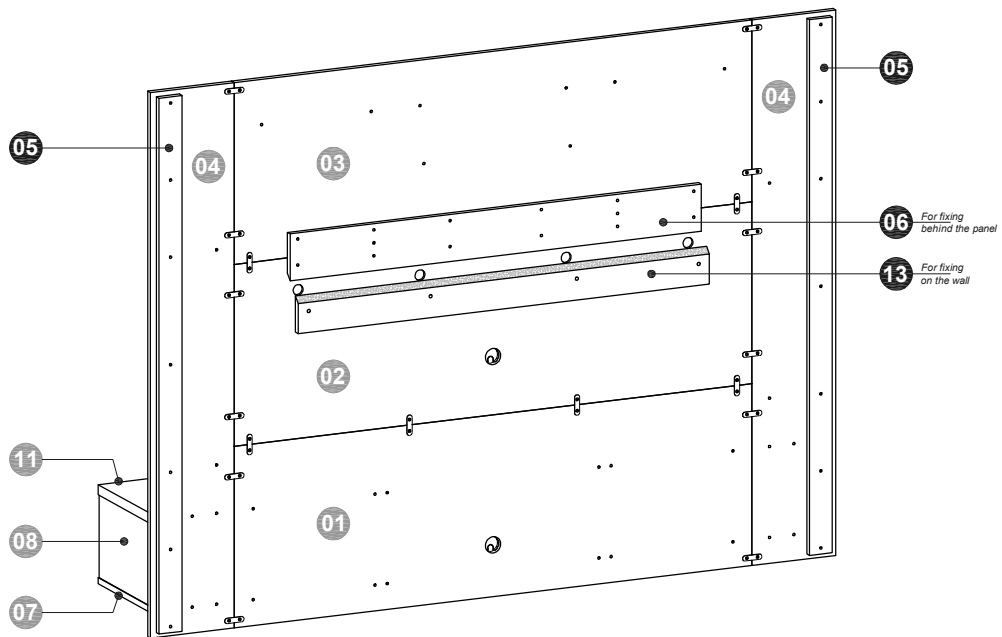
The indicated values consider static weights and evenly distributed over the parts.



INCLUDED IN THE PACKAGE



REAR VIEW



n.° ID	Parts Identification (Description)	Quantity
01	Lower Panel	1
02	Middle Panel	1
03	Upper Panel	1
04	Left/Right Panel	2
05	Rear Column	2
06	Rear Bar	1
07	Lower Shelf	1
08	Side Panel	2
09	Partition	2
10	Tilting Door	2
11	Middle Shelf	1
12	Upper Shelf	1
13	Bar for wall	1

TOOLS NEEDED

Flat head and phillips screwdriver.



Simple hammer.



Level indicator.



Electric drill and electric screwdriver with drill bit Ø1/2 inch and phillips tips.



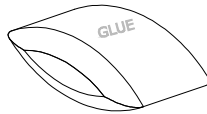
⚠ IMPORTANT! Two people are recommended to assemble and install this product.

INCLUDED IN THE HARDWARE

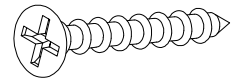
A 6x



B 2x



C 27x



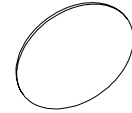
D 18x



E 36x



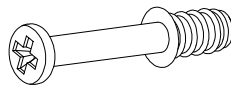
F 5x (main color)



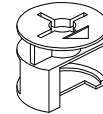
G 22x



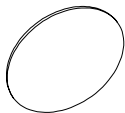
H 8x



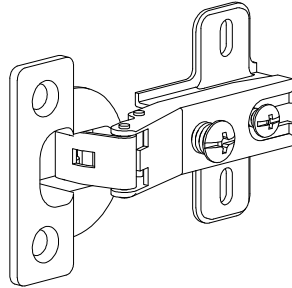
I 8x



J 8x (secondary color)



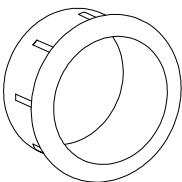
K 4x



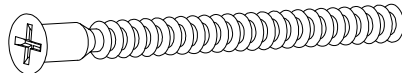
L 16x



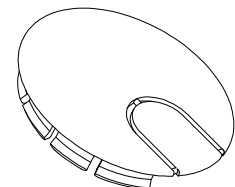
M 2x



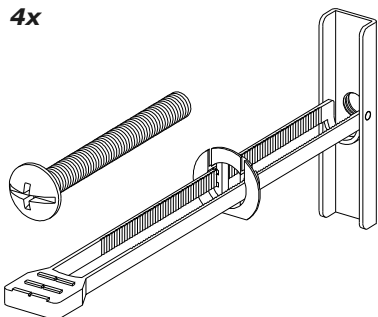
N 20x



O 2x

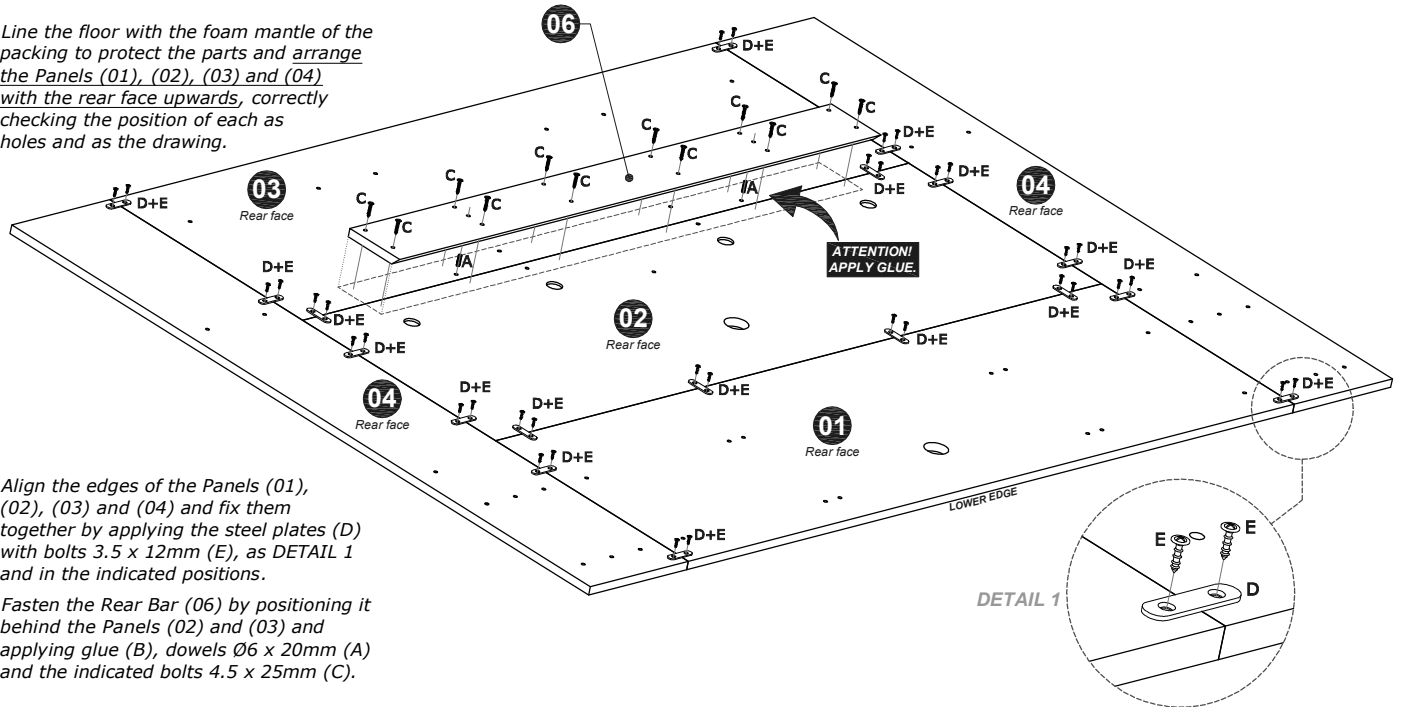


P 4x



STEP 1

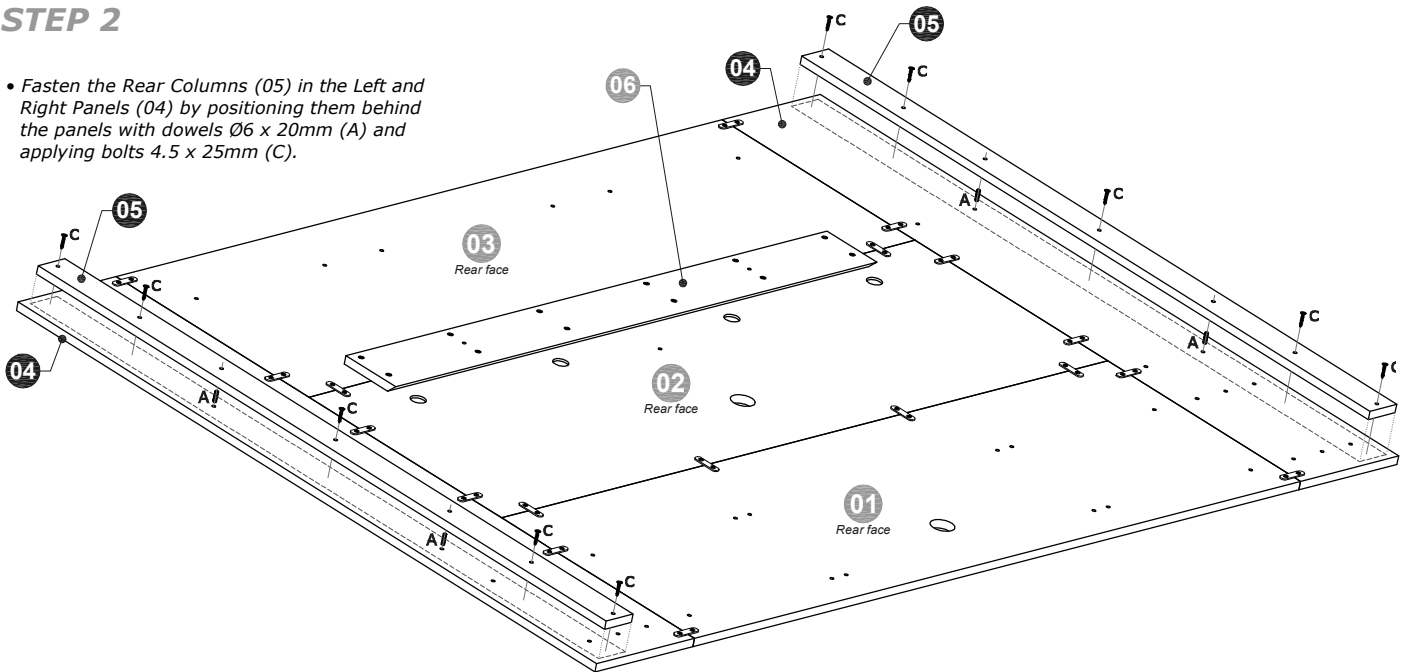
- Line the floor with the foam mantle of the packing to protect the parts and arrange the Panels (01), (02), (03) and (04) with the rear face upwards, correctly checking the position of each as holes and as the drawing.



- Align the edges of the Panels (01), (02), (03) and (04) and fix them together by applying the steel plates (D) with bolts 3.5 x 12mm (E), as DETAIL 1 and in the indicated positions.
- Fasten the Rear Bar (06) by positioning it behind the Panels (02) and (03) and applying glue (B), dowels $\varnothing 6 \times 20$ mm (A) and the indicated bolts 4.5 x 25mm (C).

STEP 2

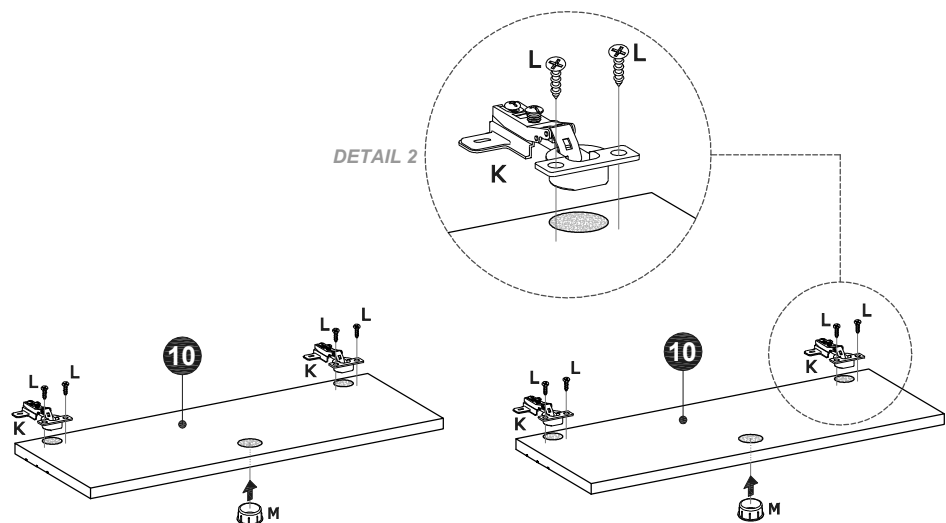
- Fasten the Rear Columns (05) in the Left and Right Panels (04) by positioning them behind the panels with dowels $\varnothing 6 \times 20$ mm (A) and applying bolts 4.5 x 25mm (C).



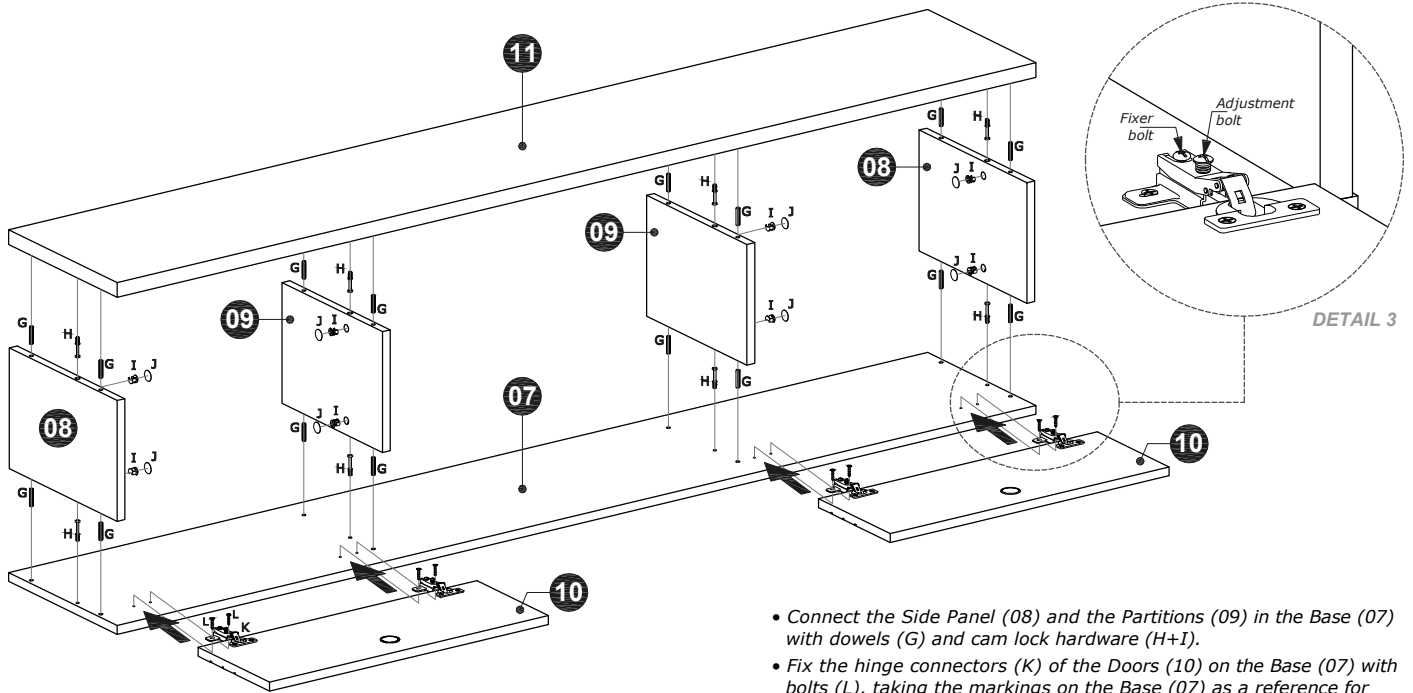
STEP 3

Preparing the Doors (10):

- Fix the hinges (K) on the Doors (10) with bolts 4.0 x 14mm (L), as shown in DETAIL 2.
- Insert the plastic ring (M) in the Doors (10).

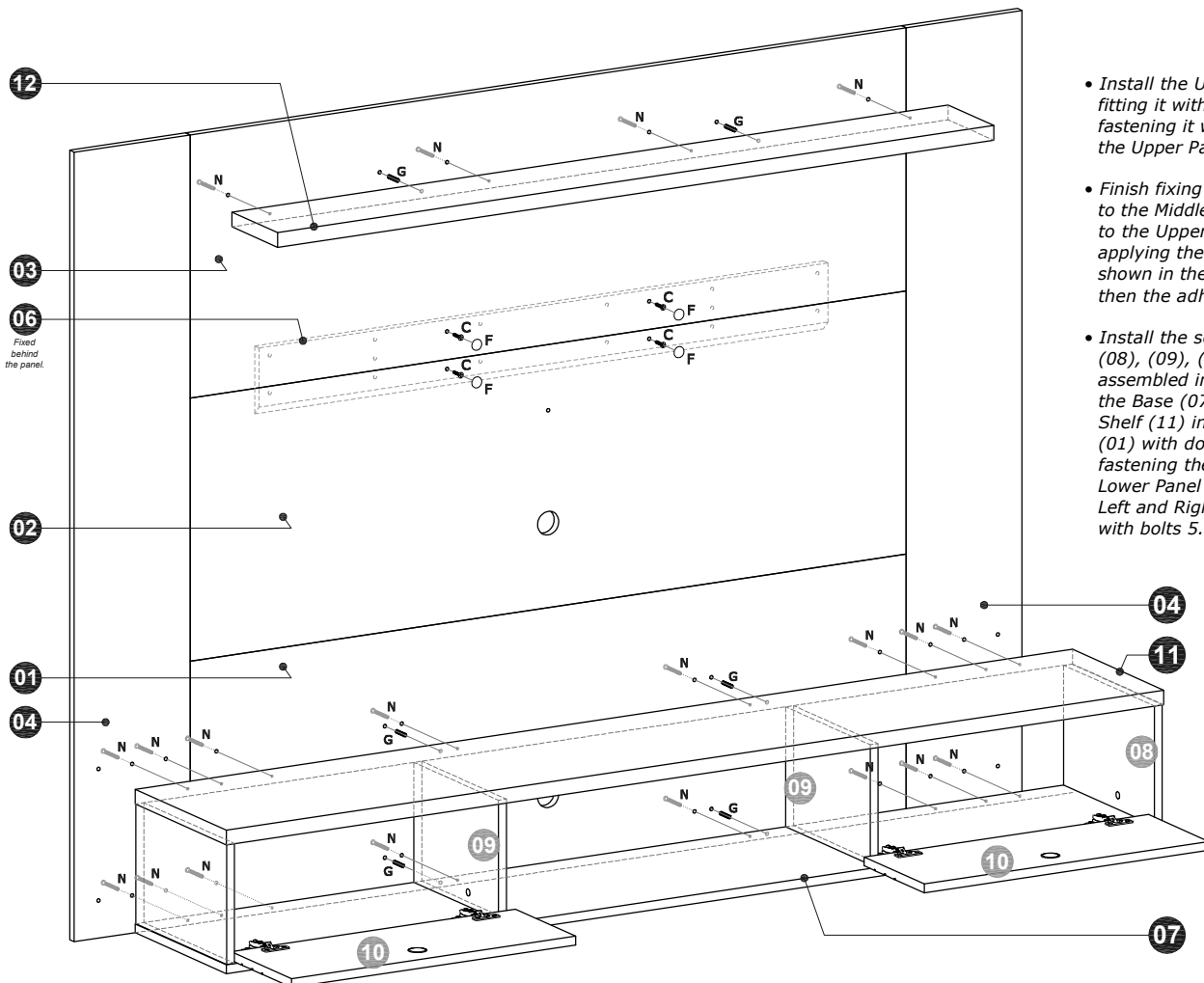


STEP 4



- Connect the Side Panel (08) and the Partitions (09) in the Base (07) with dowels (G) and cam lock hardware (H+I).
- Fix the hinge connectors (K) of the Doors (10) on the Base (07) with bolts (L), taking the markings on the Base (07) as a reference for correct positioning. The hinge connector includes two bolts, shown in the DETAIL 3. Use these fixer and adjustment bolts to tighten, adjust and align the doors.
- Connect the Middle Shelf (11) on the Side Panels (08) and on the Partitions (09) with dowels (G) and cam lock hardware (H+I).
- At the end, apply the adhesive covers (J).

STEP 5



- Install the Upper Shelf (12) fitting it with dowels (G) and fastening it with bolts (N) to the Upper Panel (03).
- Finish fixing the Rear Bar (06) to the Middle Panel (02) and to the Upper Panel (03) applying the four bolts (C) shown in the drawing and then the adhesive covers (F).
- Install the set of parts (07), (08), (09), (10) and (11) assembled in STEP 4, fitting the Base (07) and the Middle Shelf (11) in the Lower Panel (01) with dowels (G) and fastening them to the Lower Panel (01) and to the Left and Right Panels (04) with bolts 5.0 x 50mm (N).

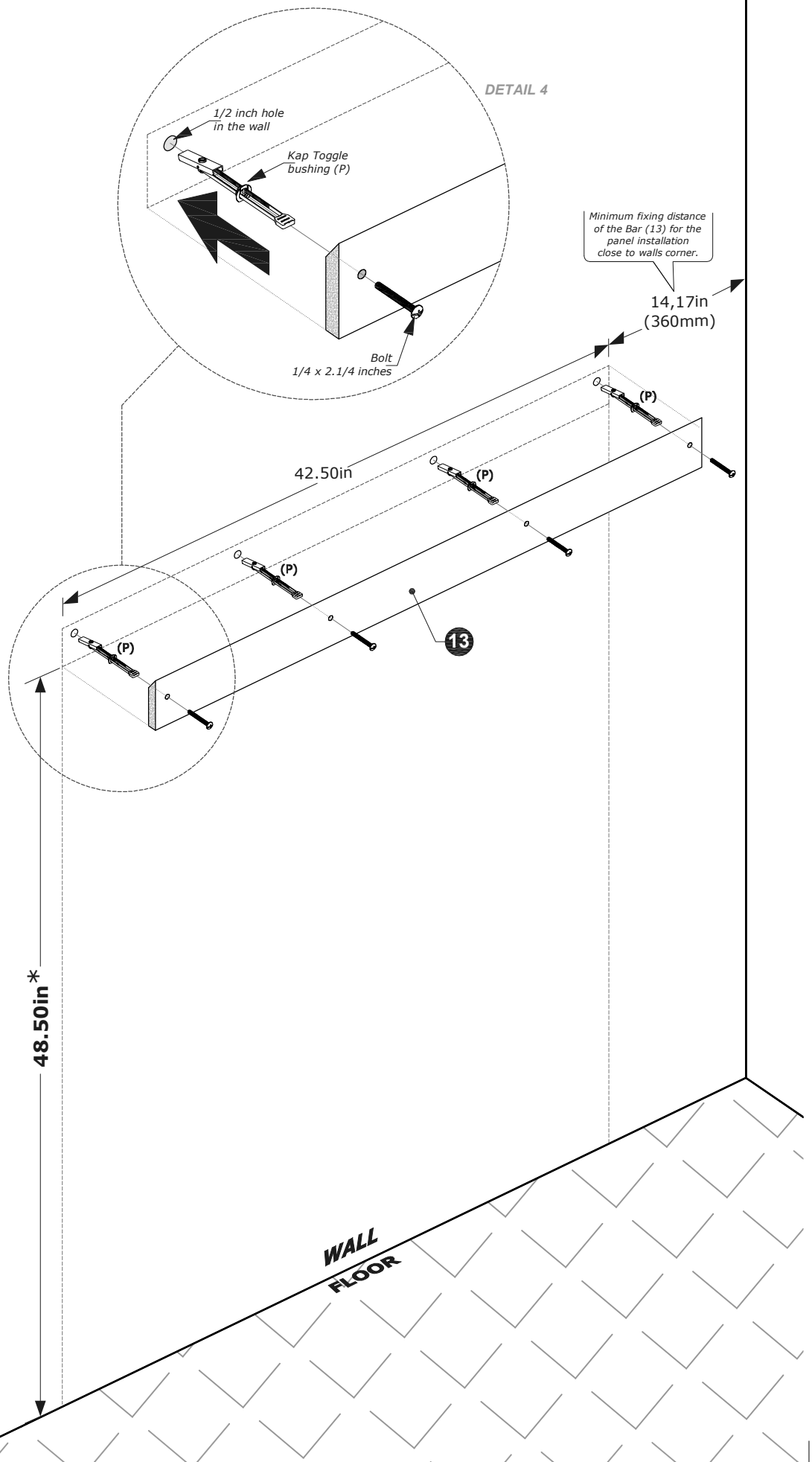
STEP 6

ATTENTION!

Before installing the panel, check the conditions of the wall for strength to properly support and anchor the weight of the suspended furniture, including equipment and objects that may be fixed to the panel.

The Kap Toggle bushings (P) supplied with the product are for hollow walls or dry wall type. Check the type of wall on which the installation will be made and, if necessary, look for more suitable bushings or fastening systems. To mark the position and fix the Bar (13) on the wall, check the level of the part.

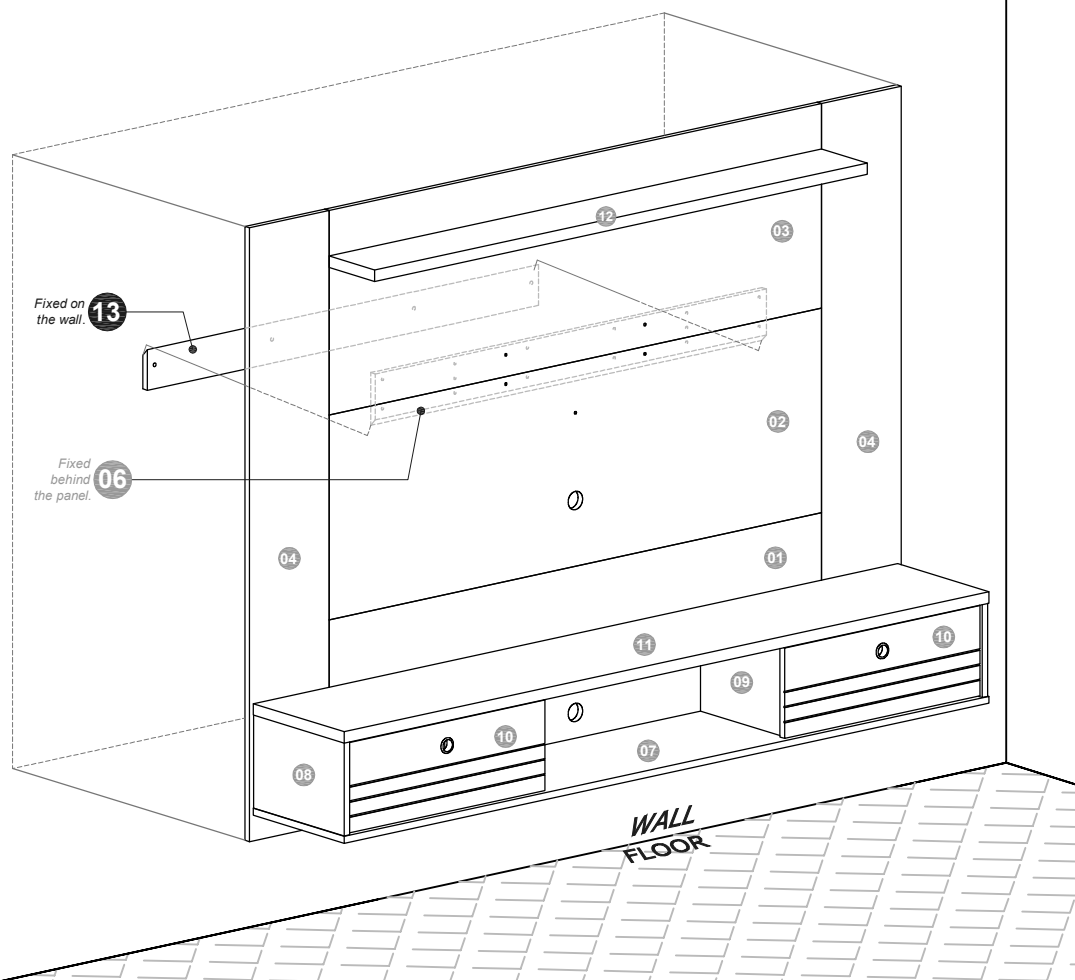
- Mark the position of the holes on the wall to fix the Bar (13), as shown in the drawing and using the bar itself as a reference.
- With electric drill and drill bit $\varnothing 1/2"$, make the holes in the wall.
- Apply the bushings (P) into the holes in the wall and fix the Bar (13) with the bevelled edge facing up and to the wall, applying the bolts $1/4 \times 2.1/4"$ as indicated in the drawing.



* The height of 48.50 inches indicated in the drawing, between the floor and the lower edge of the Bar (13) is only suggestive to install the Panel with its lower edge at approximately 18.20 inches from the floor.

STEP 7

- With the Panel already assembled, fit the Bar (06) fixed behind the panel in the Bar (13) fixed on the wall.



STEP 8

- At the end of the installation, apply the security bolt (C) in the indicated hole, to fix the Middle Panel (02) in the Bar (13) on the wall and prevent movement and accidentally dropping the panel; and then, apply the adhesive cover (F).
- Insert the plastic covers (O) into the holes for pass wires in the Panels (01) and (02).

IMPORTANT! To remove the panel from the wall, to unscrew the security bolt (C) applied as in STEP 8 and moving it upwards slightly so as to disengage the chamfered edges of the Bars (06) and (13) fixed behind the panel and on the wall. Before moving the panel, remove TV and other objects that are installed and ensure that the entire set is safe, preventing falls and damage to the panel and equipment.

