

## CARE AND MAINTENANCE










Unplug lamps before using any cleaning solutions. Dust shades with a feather duster or with an appropriate vacuum-brush attachment. Wipe with a soft, dry cloth and clean lamp bases with the methods appropriate to the material. Avoid the use of chemicals and household cleaners as they may damage the finish.

## NOTICE & IMPORTANT SAFETY INSTRUCTIONS

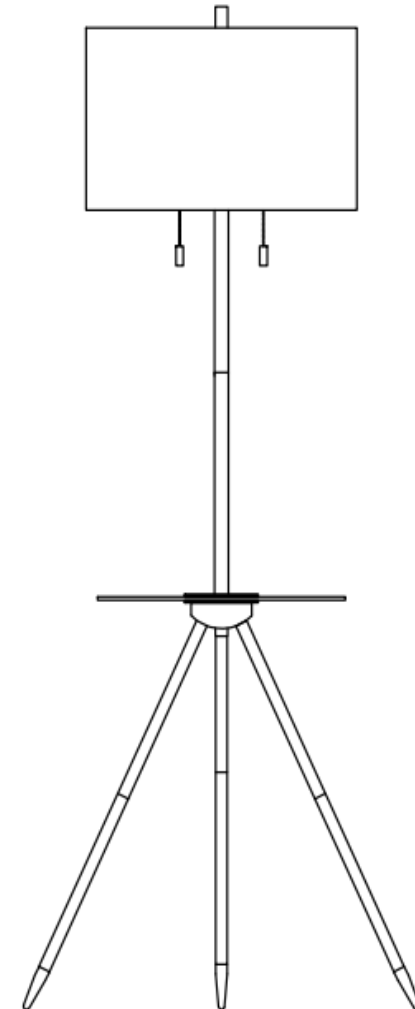
- \* Please make sure that you have all parts indicated before you begin assembly of this item
- \* This item should be assembled on a soft surface to prevent scratching the finish during assembly
- \* To reduce the risk of fire, electrical shock or injury to persons or property, please follow the guideline below for safe use and installation
- \*The external flexible cable or cord of this luminaire cannot be replaced;  
If the cord is damaged, the luminaire shall be destroyed

\*\*This portable lamp has a polarized plug (one blade is wider than the other) as a safety feature to reduce the risk of electric shock. this plug will fit in a polarized outlet only one way. if the plug does not fit fully in the outlet, reverse the plug, if it still does not fit, contact a qualified electrician. never use with an extension cord unless the plug can be fully inserted. do not attempt to defeat this safety feature.

### Part List and Hardware List

PIECE	DESCRIPTION	PICTURE	QUANTITY	PIECE	DESCRIPTION	PICTURE	QUANTITY
A	Leg-I		3X	F	Pipe		1X
B	Leg-II		3X	G	Shade		1X
C	Glass Tracy		1X	H	Finial		1X
D	Tube		2X	I	Bulb		2X
E	Socket		2X				

**Product Dimensions: 22"L X 22"W X 60"H**



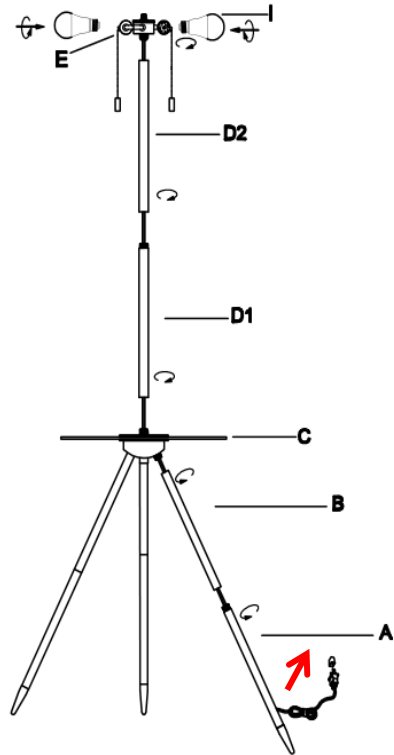
## PREPARATION

Before beginning assembly of product, make sure all parts are present. Compare parts with package contents list and hardware contents list. If any part is missing or damaged, do not attempt to assemble the product.

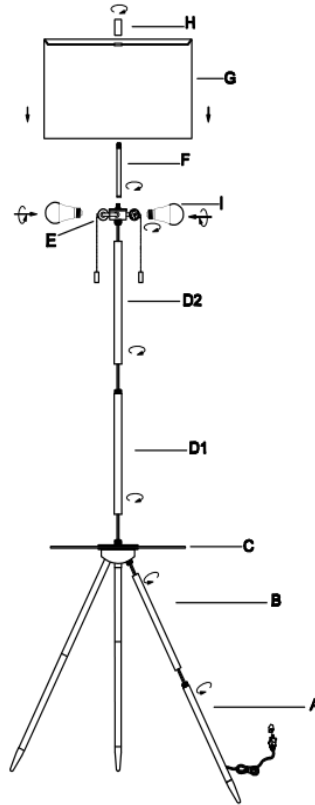
Estimated Assembly Time: 6 minutes.

**PLEASE USE ON/OFF TYPE "A" BULB MAX 60-WATT OR CFL BULB MAX 13-WATT OR LED BULB MAX 9-WATT  
THERE IS LED 9-WATT BULB IN THE BOX**

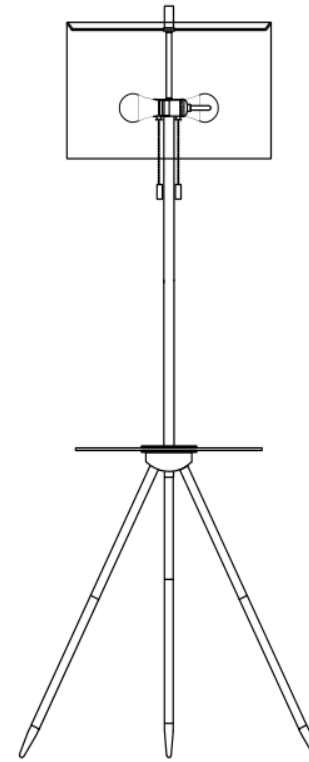
1



2



3



### Step 1

Make sure all parts could be aligned before assemble  
Do not rotate lamp body too hard avoid base screw broken.  
Screw the Leg-I(A) onto the Leg-II(B).  
Screw the Leg-II(B) onto glass Tray(C)  
Screw the Tube(D1) onto glass Tray(C)  
Screw the Tube(D2) onto Tube(D1)  
Screw the Socket (E) onto the Tube (D2),  
Be careful not to twist the power cord and tighten securely.

### Step2

Screw the Pipe (F) onto the Socket (E),  
Put the Shade(G) on the Pipe(F), then  
tighten the Finial (H) into the Pipe (F)  
Insert the bulb(I) into the socket(E).

### Step3

Put the light on a level surface to check  
if everything is stable.

**ENJOY YOUR LAMP**