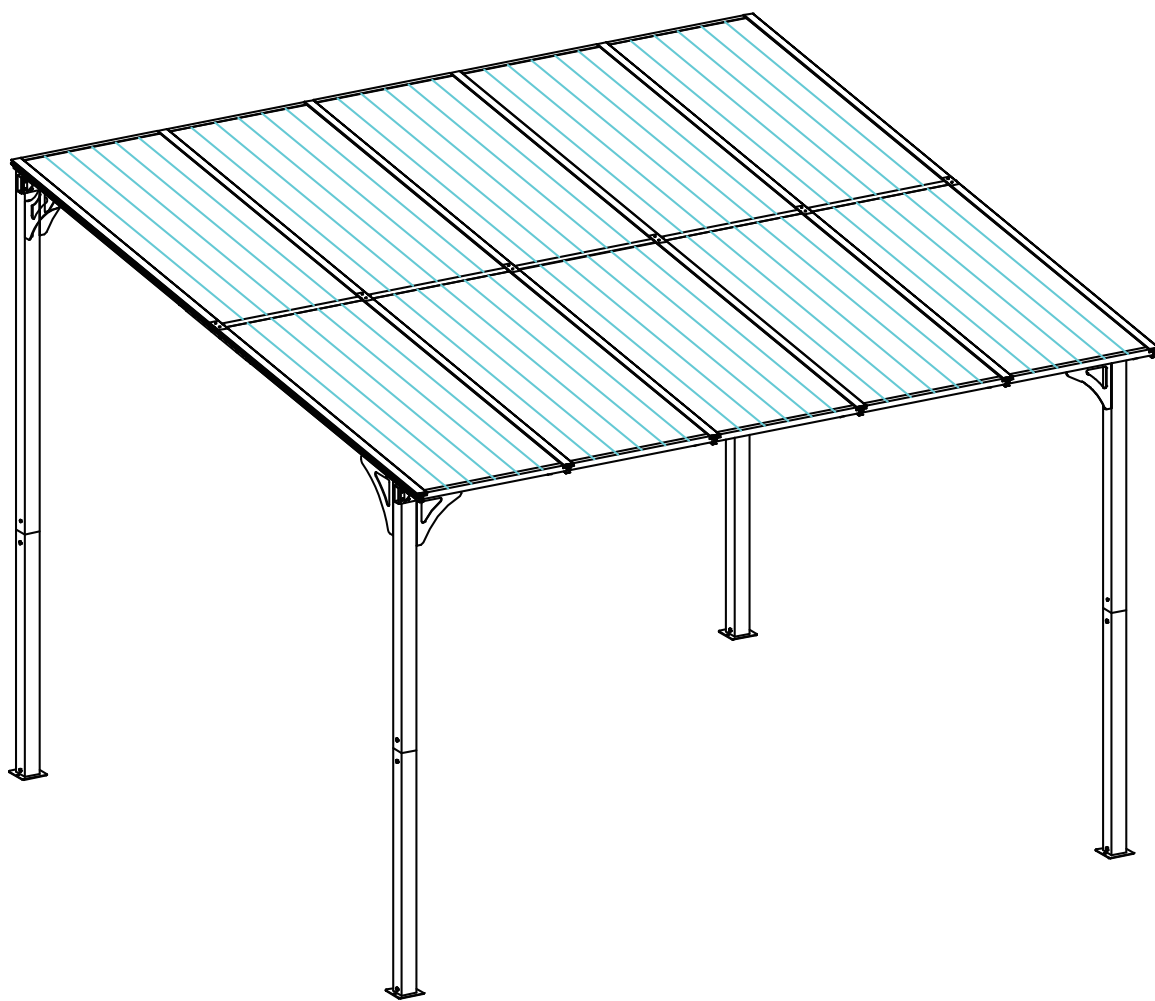


INSTALLATION INSTRUCTIONS

10X10 ft Gazebo



Our team is available 24/7 to help with any product questions. Contact us anytime!

Warning

- Please read and understand this manual carefully before assembly. Before starting to assemble the product, please ensure that all parts are present. Please check the parts against the packing list. If you find any missing parts, please contact us.
- Any assembly or maintenance work on this product must be performed by adults. We recommend that at least two adults be involved.
- Please check your state and local regulations before purchasing. Some areas may require a permit for the installation and use of this product. There may be specific procedures in your area.
- Please install the Pergola on a flat surface. Ground stakes are included with the product to secure the Pergola to the ground.
- Do not assemble the Pergola on sandy, muddy, or loose soil, as the ground stakes will not provide sufficient anchoring in these types of soil.
- If you wish to secure the Pergola to a wooden deck or concrete surface, please use anchor bolts suitable for these surfaces.
- Some parts may contain sharp edges. Protective gloves are recommended.
- Keep children and pets away while assembling the Pergola.
- Regularly check all nuts and bolts to ensure they are tightened.
- Before starting assembly, carefully read each step and ensure you understand each step.
- Please refer to the diagrams. Place all parts from the box in a clean area and lay them flat on the floor in front of you.
- Remove all packaging materials and place them back in the box. Do not discard the packaging materials until assembly is complete.

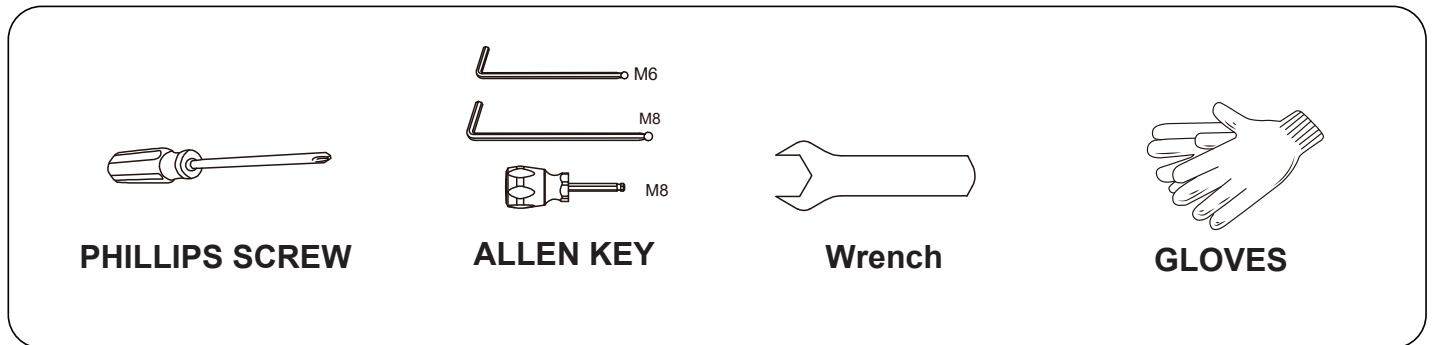
Maintenance

- Snow must be removed regularly during snowy weather. Remove snow when the snow accumulation on the roof exceeds 2 inches (5 cm). To avoid damage, use a plastic snow rake to remove excess snow and ice from the roof, and be careful to stay clear of falling debris.
- This Pergola is for decorative and shading purposes only and is not designed to withstand severe weather conditions, including strong winds, heavy rain, and heavy snow.
- The steel components of this Pergola are coated with rust-resistant paint. However, due to the inherent properties of steel, oxidation (rusting) may still occur on the surface if the protective coating is scratched. This is not a product defect and is therefore not covered under warranty.
- To minimize this occurrence, it is recommended to handle the product carefully during assembly and handling to avoid scratching the paint. If any scratches or damage occur, it is recommended to immediately repair the scratches with rust-resistant paint (not included).
- Do not use bleach, acid, or other abrasive cleaners on the roof or frame components.
- Please keep these instructions for future reference.

Pre-assembly

TOOLS THAT MAY BE REQUIRED (included in boxes)

***NOTE: Tools /equipment are not shown to actual size and scale.**



EQUIPMENT REQUIRED (Not included in boxes)

***NOTE: Equipment are not shown to actual size and scale.**



Matters needing attention



1. Two or more people are required for assembly.



2. Do not fully tighten screws prior to complete assembly.



3. Use a spirit level. Before proceeding, check that the device or component is perfectly level.



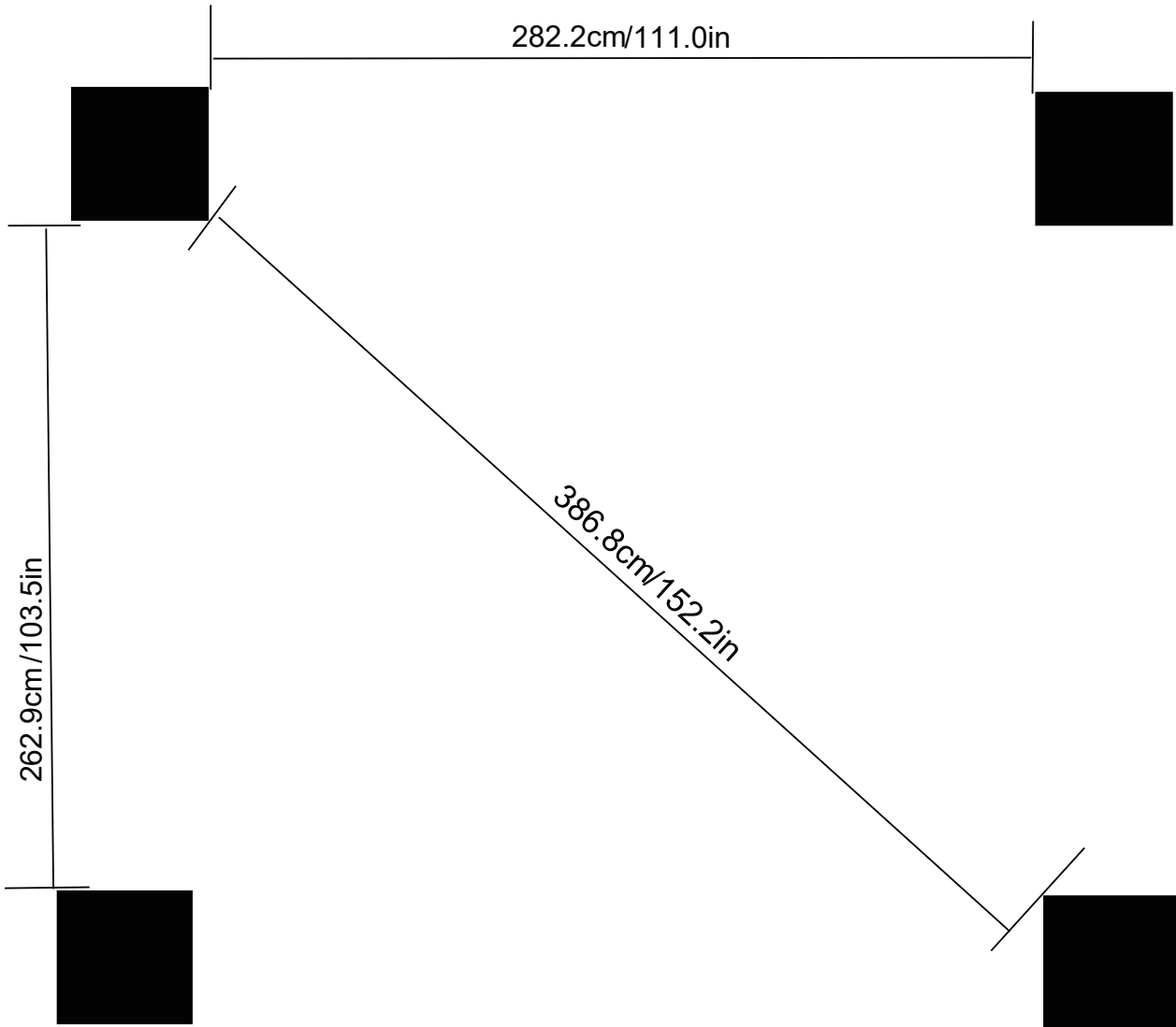
4. Use a square to check: Before tightening the bolts, check that the assembly is square.



5. Do not overtighten the mounting bolts. Overtightening can cause the wood to crack, splinter, and result in other structural damage.

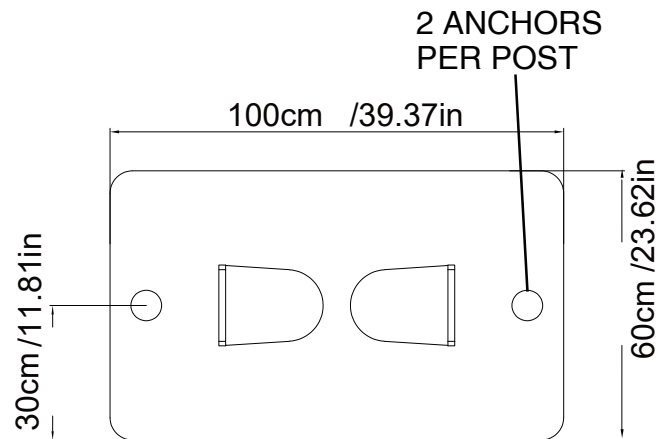
INSTALLATION BLUEPRINT

10'x10'



The width dimension error is restricted to 0.118

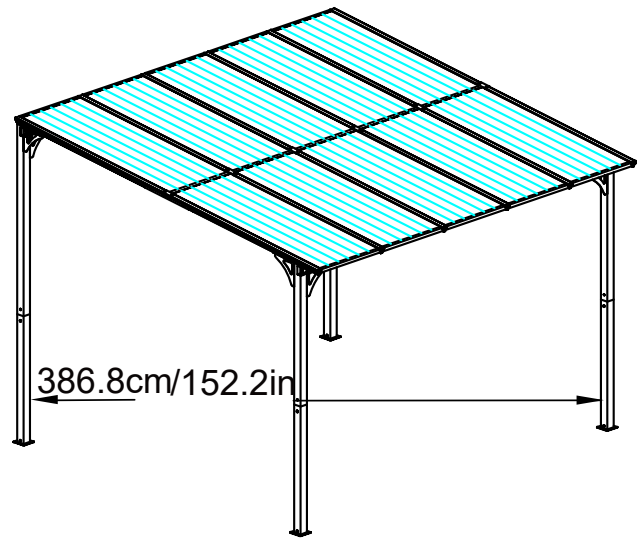
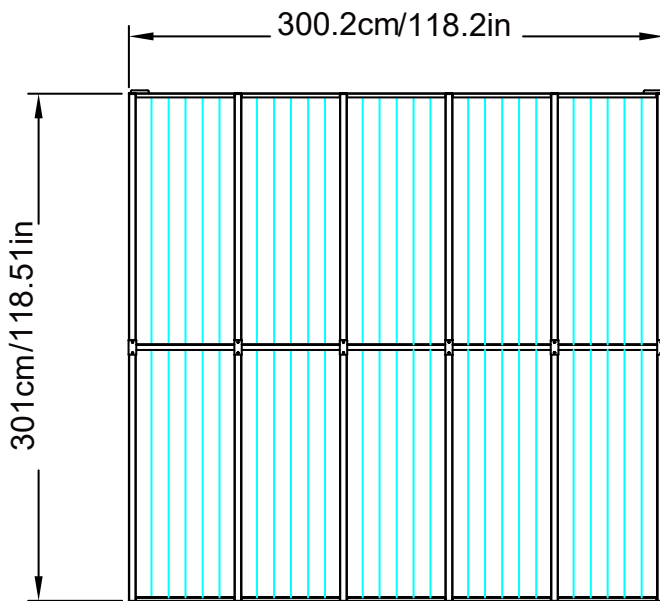
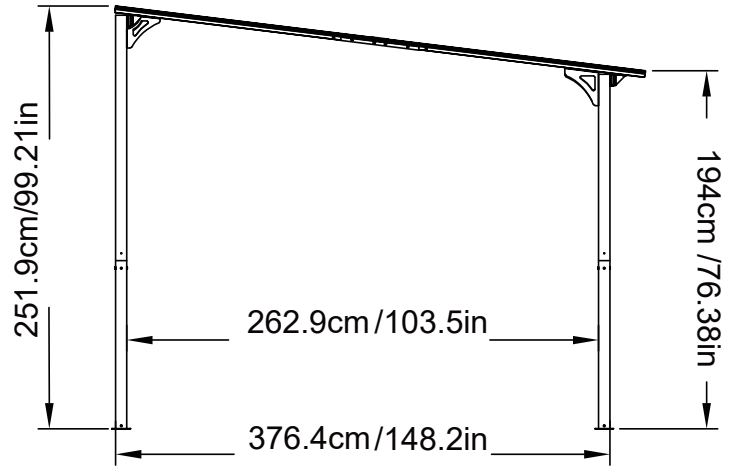
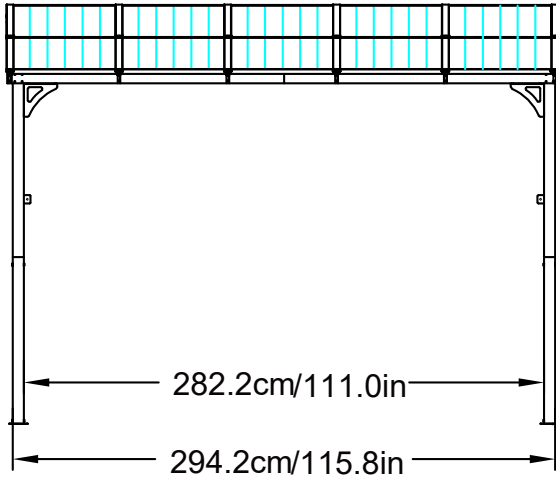
Diagonal line error should be limited to 0.197

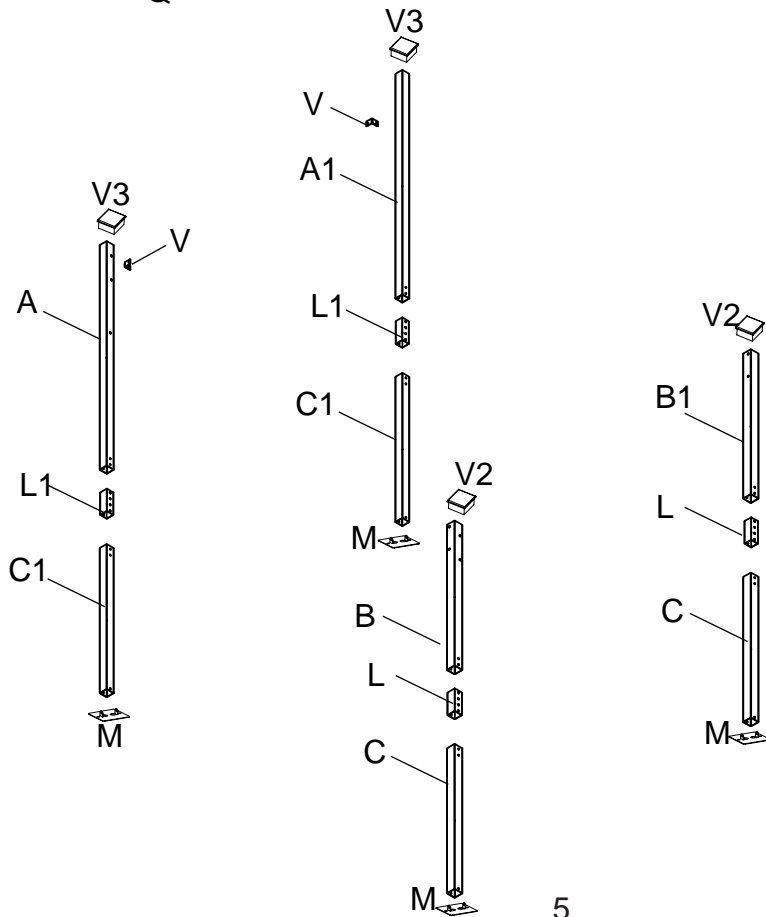
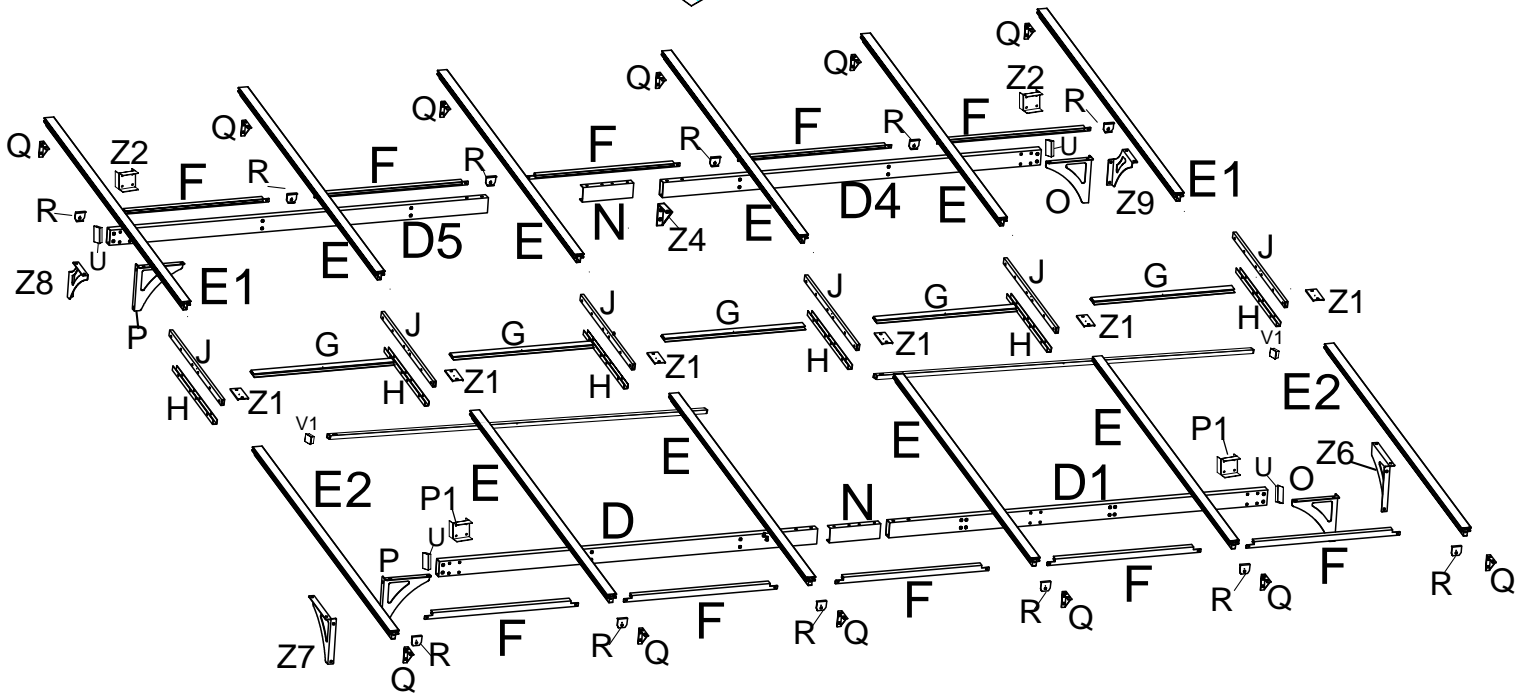
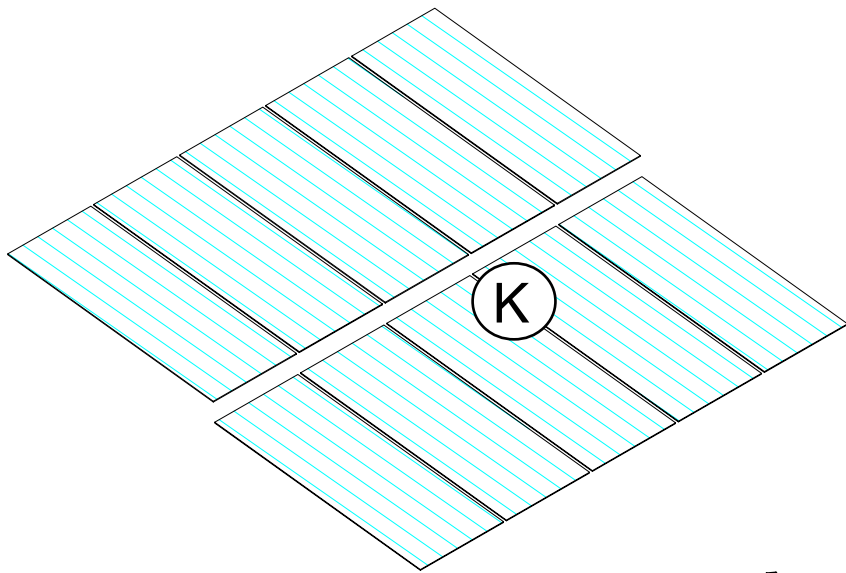


NOTE: DIMENSIONS ARE TO ANCHOR PLATES MOUNTED TO POSTS EXCEPT WHERE NOTED

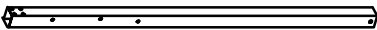
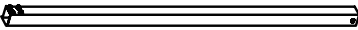
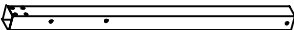
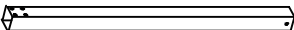
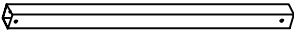
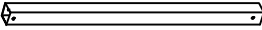
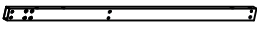

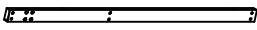







PRODUCT DIMENSIONS

10'x10'



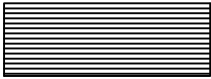



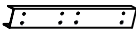
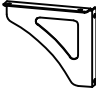
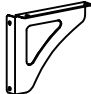
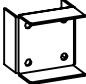
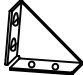













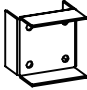


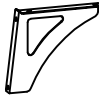



Part Lists

Part Number	Part Image	Description	QTY
A		Top Back Leg(Left)	1
A1		Top Back Leg(Right)	1
B		Top Front Leg(Left)	1
B1		Top Front Leg(Right)	1
C		Bottom Leg	2
C1		Bottom Leg	2
D		Side Beam	1
D1		Side Beam	1
D4		Side Beam	1
D5		Side Beam	1
E		Board Arm	8
E1		Board Arm	2
E2		Board Arm	2
F		Board Arm	10
G		Middle Board Connection	5
H		Arm Down Connection	6



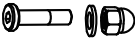
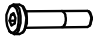

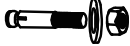
Part Lists

Part Number	Part Image	Description	QTY
I1		Arm Hold Tube(Side)	2
J		Arm Up Connection	6
K		UV Protected Board	10
L		Leg Connection	2
L1		Leg Connection	2
M		Wall & Beam Connection	4
N		Back Connection	2
O		Right Beam Hold	2
P		Left Beam Hold	2
P1		Front leg hoop	2
Q		Arm & Beam Connection	12
R		Arm Protection	12
S		Arm Hold Tube Connection	1
U		Beam Plug	4
V		Wall Connection	2
V1		Hold Plug	2

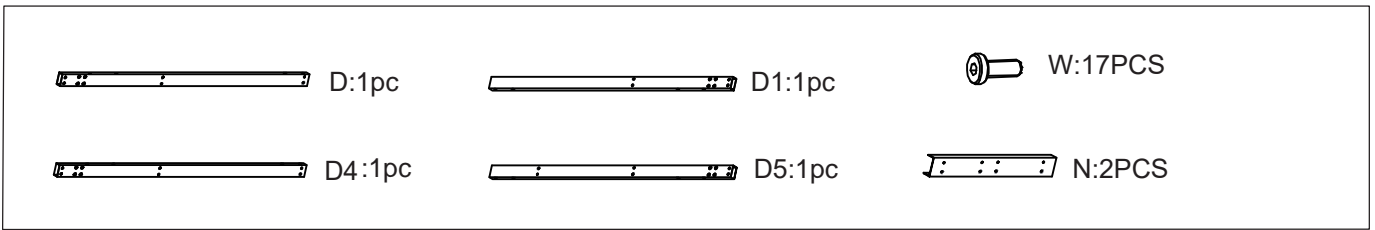
Part Lists

Part Number	Part Image	Description	QTY
V2		Top Leg Plug	2
V3		Top Leg Plug	2
Z		Allen Wrench	1
Z1		Arm Up Connection	6
Z2		Hind leg hoop	2
Z3		Plastic tape	1
Z4		Middle Wall Connection	1
Z6		Beam Hold	1
Z7		Beam Hold	1
Z8		Beam Hold	1
Z9		Beam Hold	1

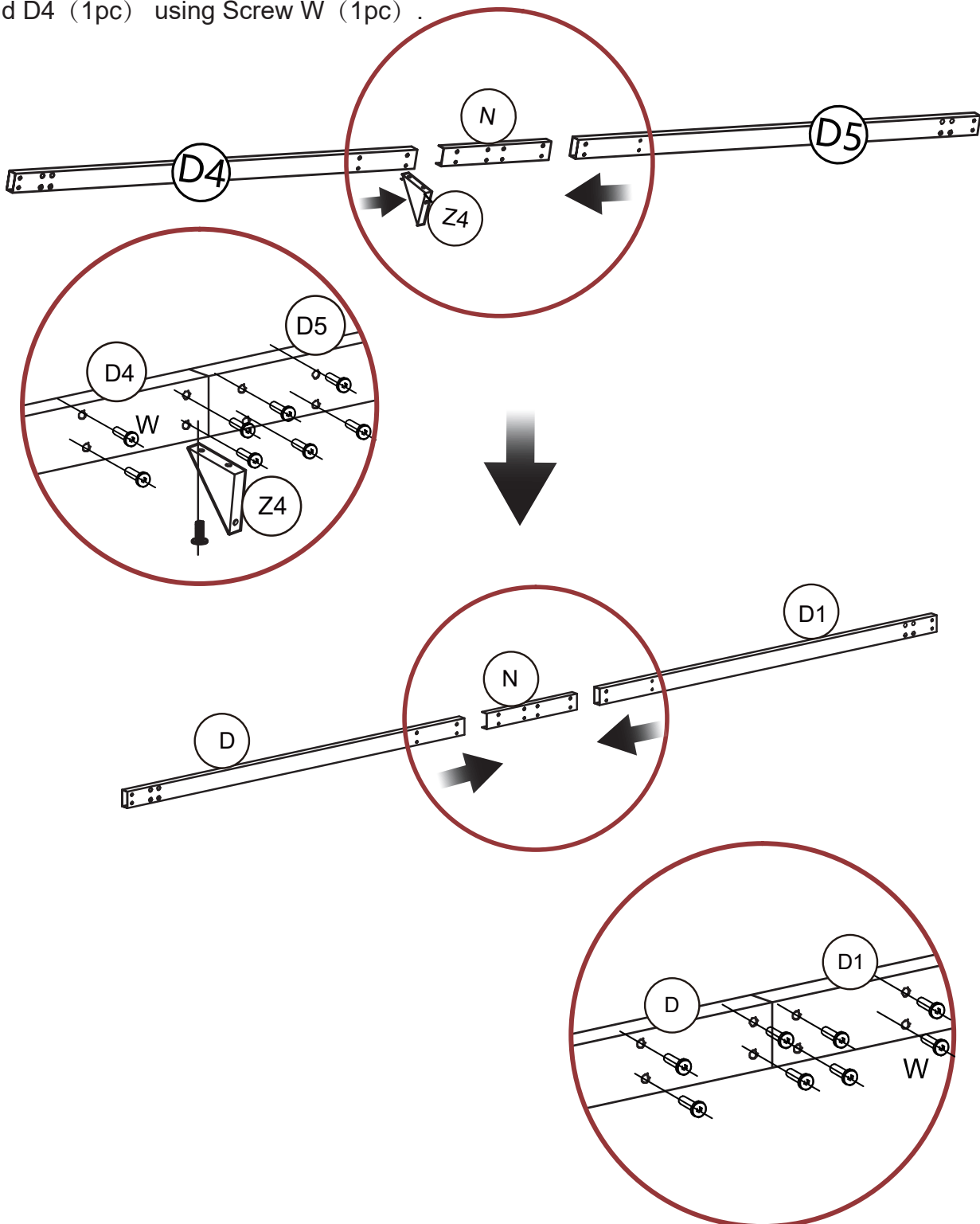
Hardware Pack

Part Number	Part Image	Description	QTY
T		Bolt 6*12mm	14
W		Bolt M6*12mm	151
X		Bolt M6*25mm	36
X1		Bolt M6*40mm	6
Y		Bolt M6*36mm	16
Z5		Expansion Bolts	11

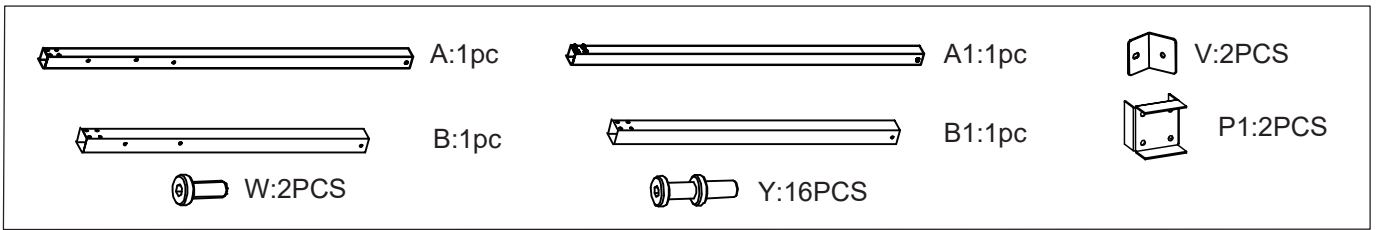
STEP 1: Install crossbeam.



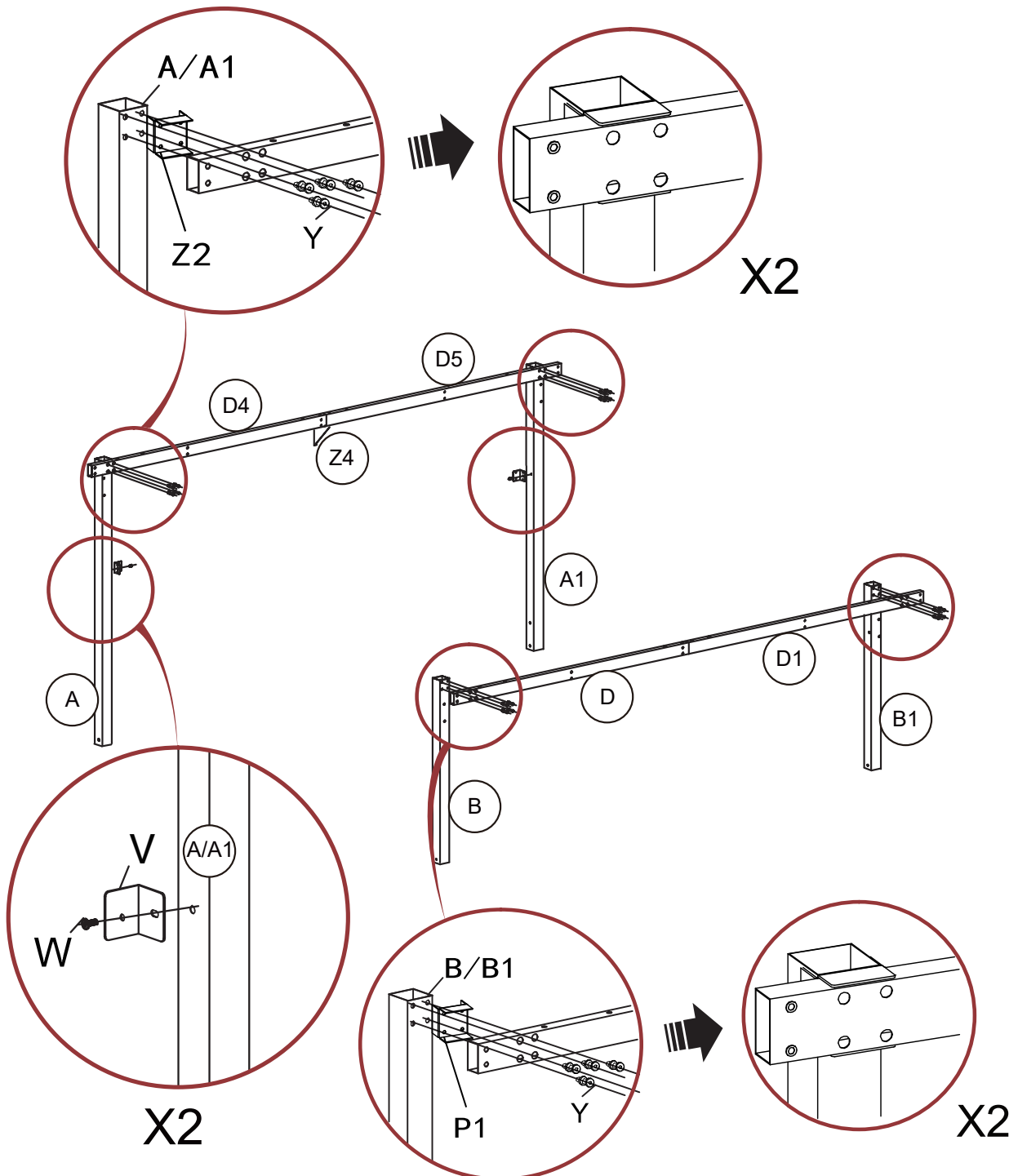
1. Connect Side Beam D5 (1pc) to Side Beam D4 (1pc) using Back Connection N (1pc) and secure with Screw W (8pcs) .
2. Connect Side Beam D (1pc) to Side Beam D1 (1pc) with Back Connection N (1pc) , secured by Screw W (8pcs) .
3. Fasten Middle Wall Connection Z4 (1pc) to the joint of Side Beam D5 (1pc) and D4 (1pc) using Screw W (1pc) .



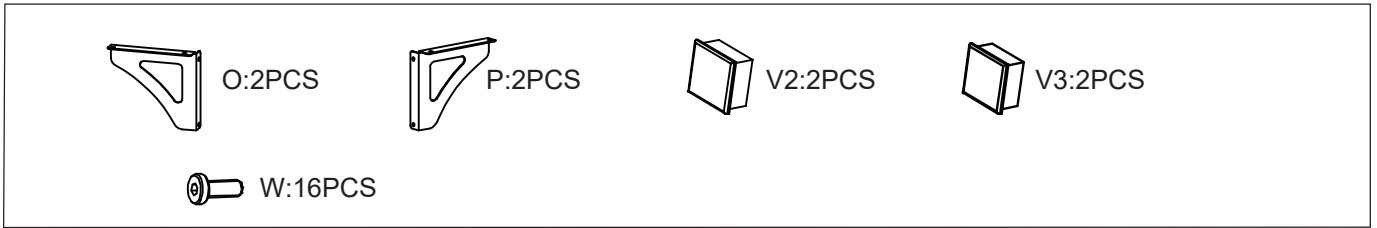
STEP 2: Assemble frame.



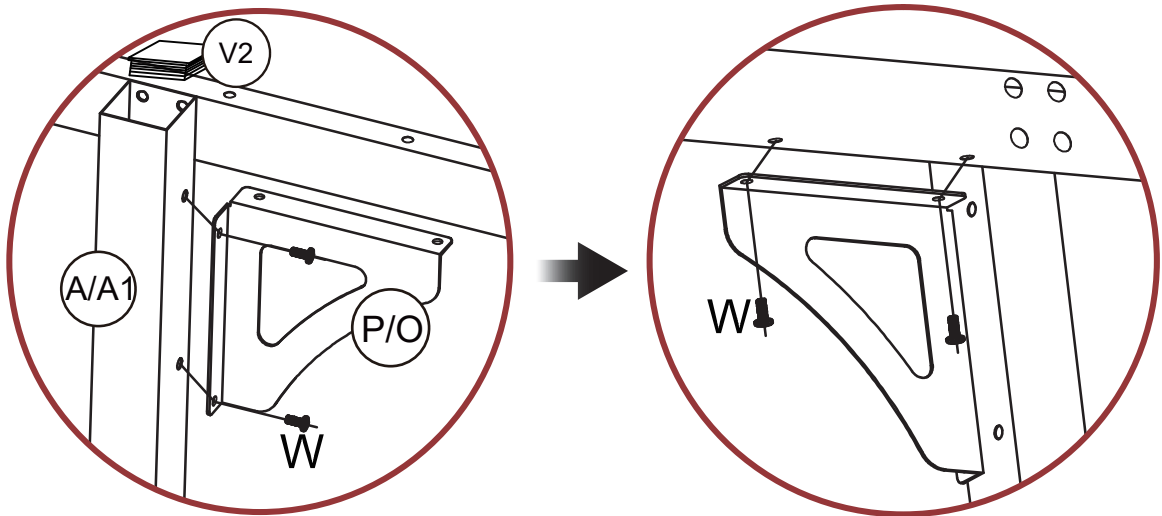
1. Connect the pre-assembled side beam to Top Back Leg A (1pc) and Top Back Leg A1 (1pc) using Hind Leg Hoop Z2 (2pcs), and fasten with Screw Y (8pcs).
2. Connect the pre-assembled side beam to Top Back Leg B (1pc) and Top Back Leg B1 (1pc) using Hind Leg Hoop P1 (2pcs), and fasten with Screw Y (8pcs).
3. Fix Wall Connection V (2pcs) to Top Back Leg A (1pc) and Top Back Leg A1 (1pc) with Screw W (1pc).
4. **Note: Top Back Leg A (1pc) / Top Back Leg A1 (1pc) holes must face inward.**



STEP 3: Install support.

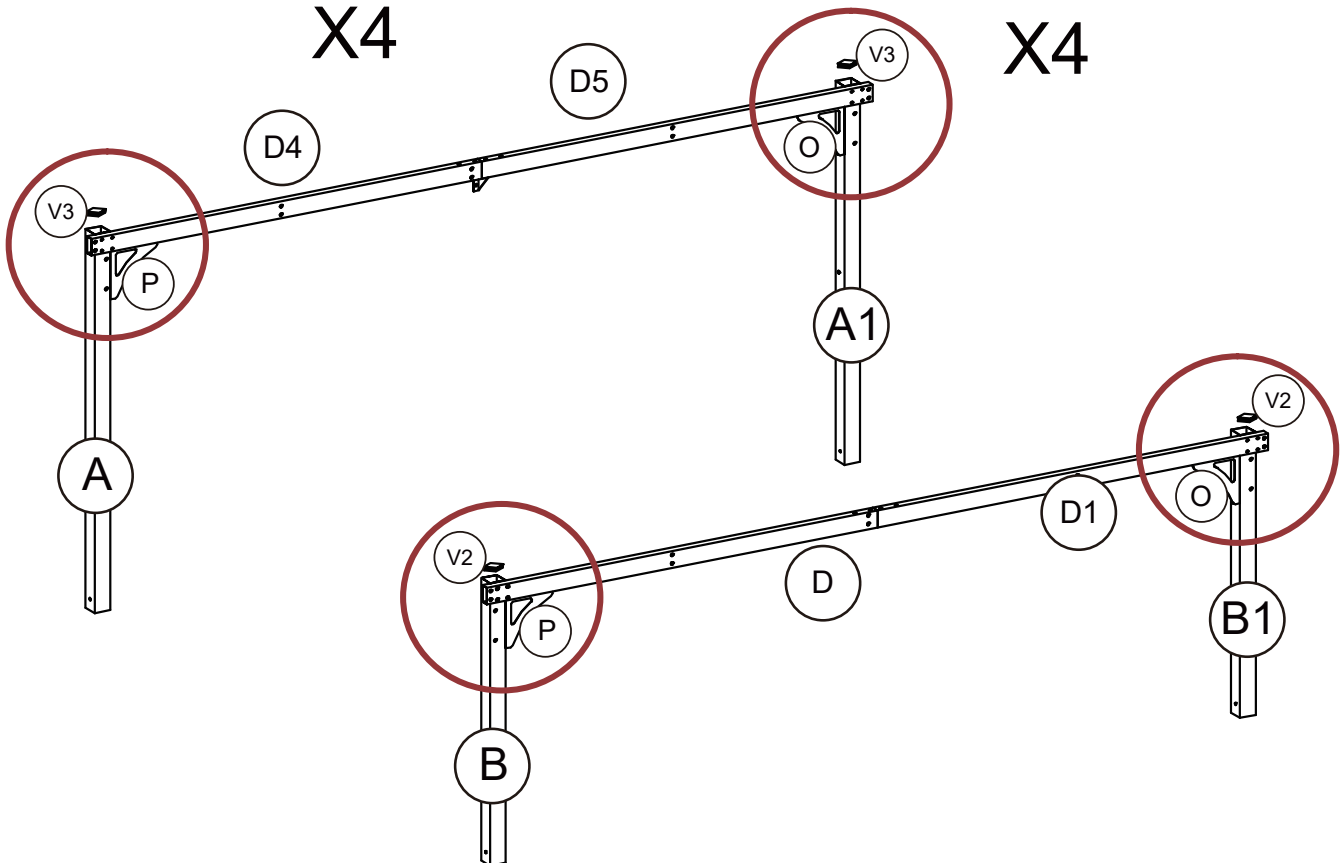


1. Secure Right Beam Hold O (2pcs) at the intersection of Top Back Leg A1 (1pc) / Top Back Leg B1 (1pc) and Side Beam D5 (1pc) /Side Beam D1 (1pc) with Screw W (8pcs) .
2. Secure Right Beam Hold P (2pcs) at the intersection of Top Back Leg A (1pc) / Top Back Leg B (1pc) and Side Beam D4 (1pc) /Side Beam D (1pc) with Screw W (8pcs) .
3. Insert Top Leg Plug V2 (4pcs) into top of Top Leg.

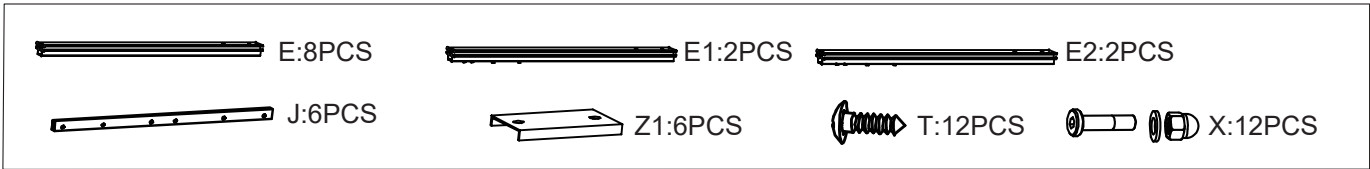


X4

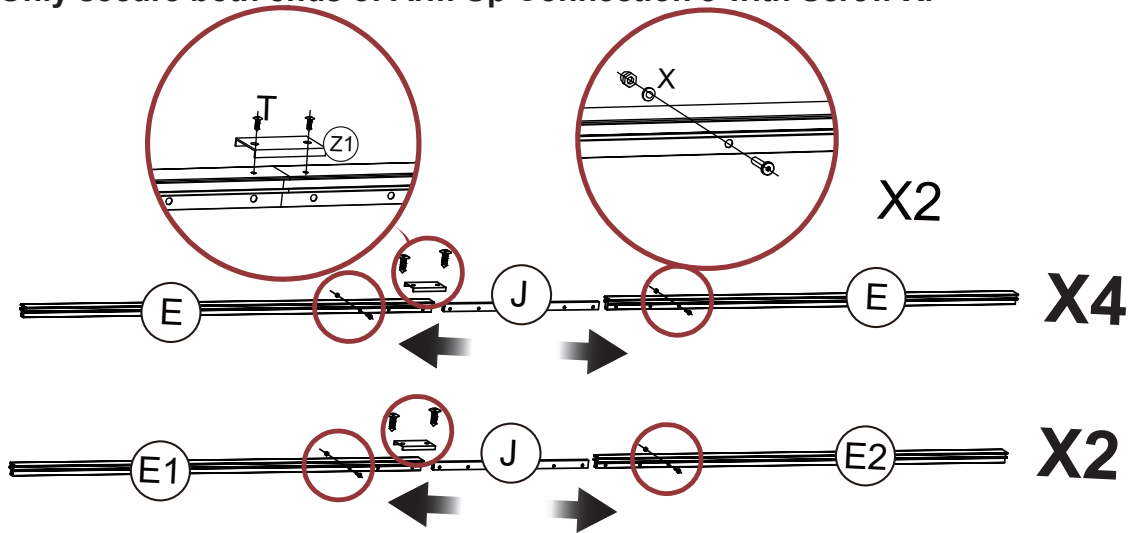
X4



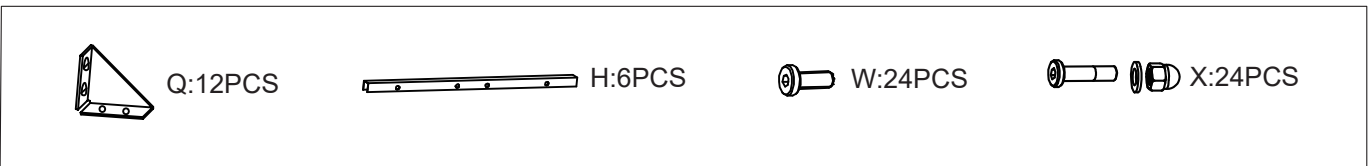
STEP 4: Install board arm.



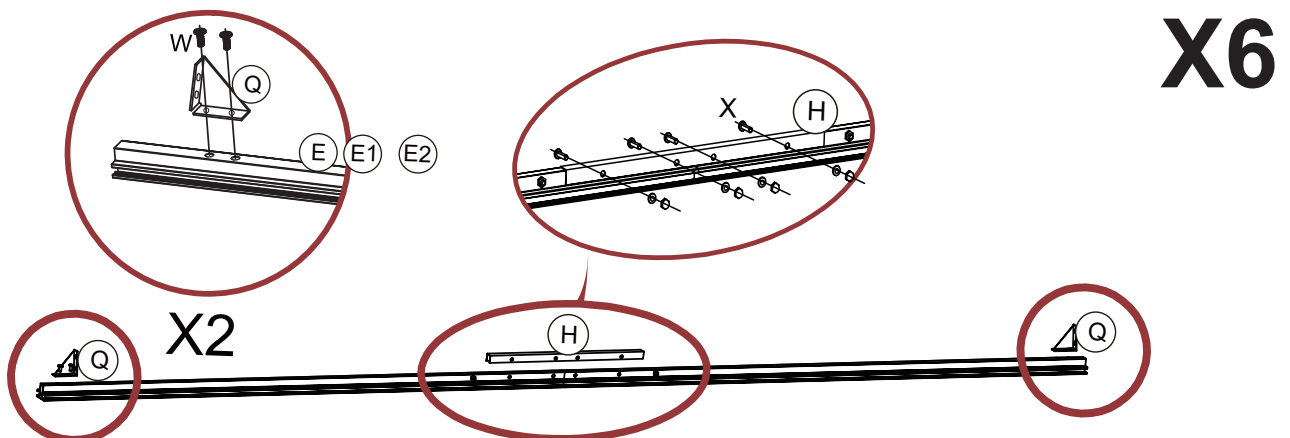
1. Connect board arm E (4pcs) to board arm E (4pcs) with Arm Up Connection J (4pcs), and fasten with screw X (8pcs).
2. Connect board arm E1 (2pcs) to board arm E2 (2pcs) with Arm Up Connection J (2pcs), and fasten with screw X (4pcs).
3. Fasten Arm Up Connection Z1 (6pcs) with Screw T (12pcs) at the joints of board arm E (4pcs) /board arm E (4pcs) and board arm E1 (2pcs)/board arm E2 (2pcs).
4. **Note: Only secure both ends of Arm Up Connection J with Screw X.**



STEP 5: Install board arm.



1. Secure Arm & Beam Connection Q (12pcs) to both ends of the part from Step 4 using screw W (24pcs).
2. Fix Arm Down Connection H (6pcs) centrally to the part from Step 4 with screw X (24pcs).

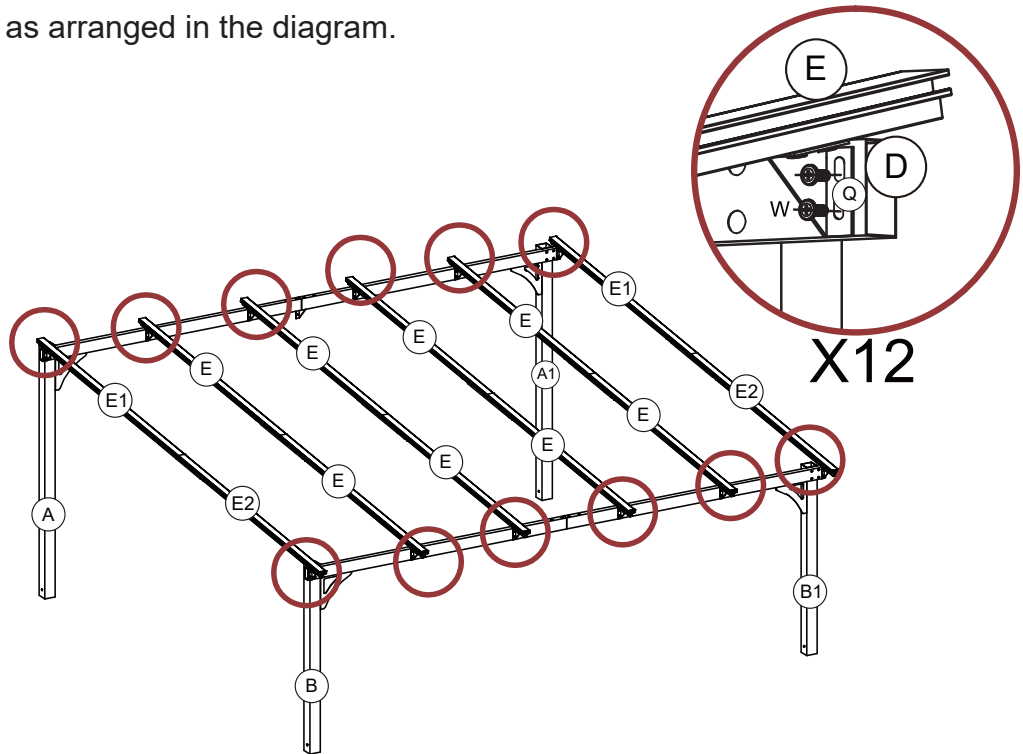


STEP 6: Install top frame.

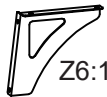


1. Fix Q onto D/D1/D4/D5 with screws W (24pcs) , using the assembled E-E/E1-E2 from Step 5 as arranged in the diagram.

TIPS: Part Q is used by slotted holes that please use the same sides of both holes to make top side of Q higher than Part D . Slotted holes will support the cover board more strongly.



STEP 7: Install support.



Z6:1pc



Z7:1pc



Z8:1pc

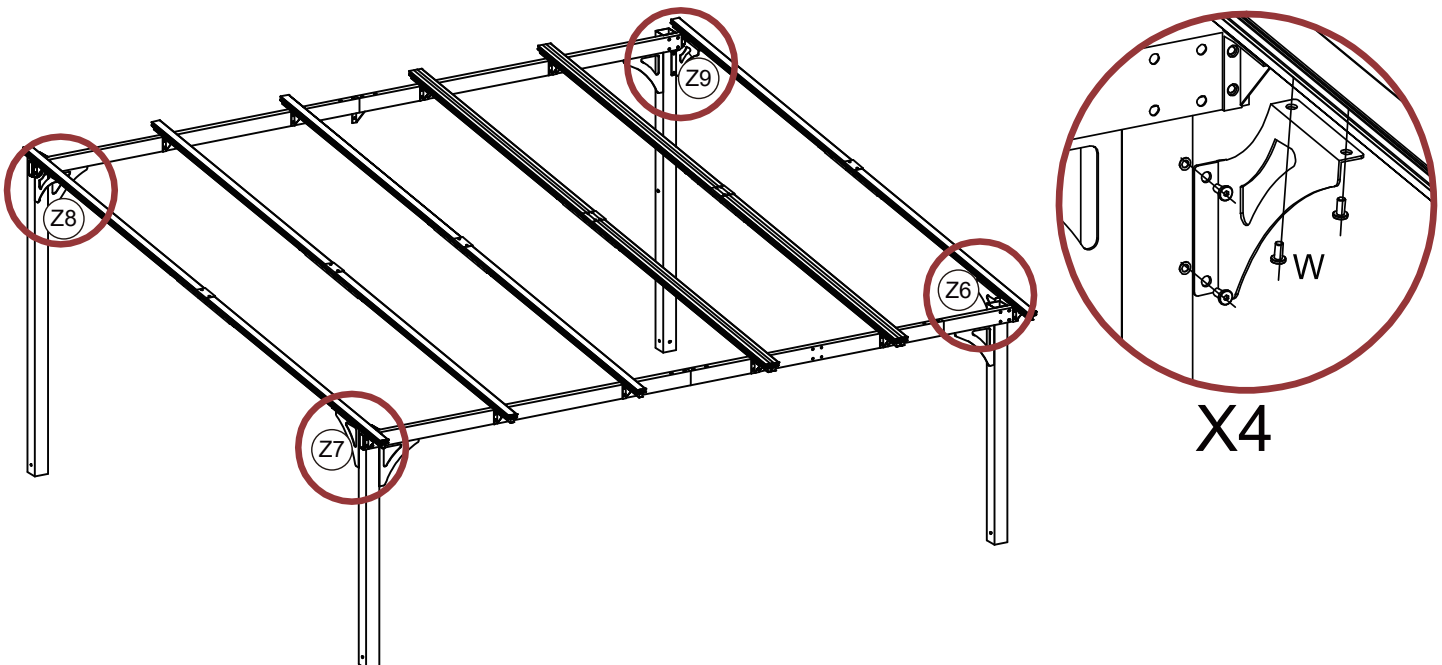


Z9:1pc

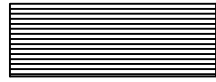


W:16PCS

1. Connect A/A1 and B/B1 to E1/E2 using screws W (16pcs) via Z6/Z7/Z8/Z9.

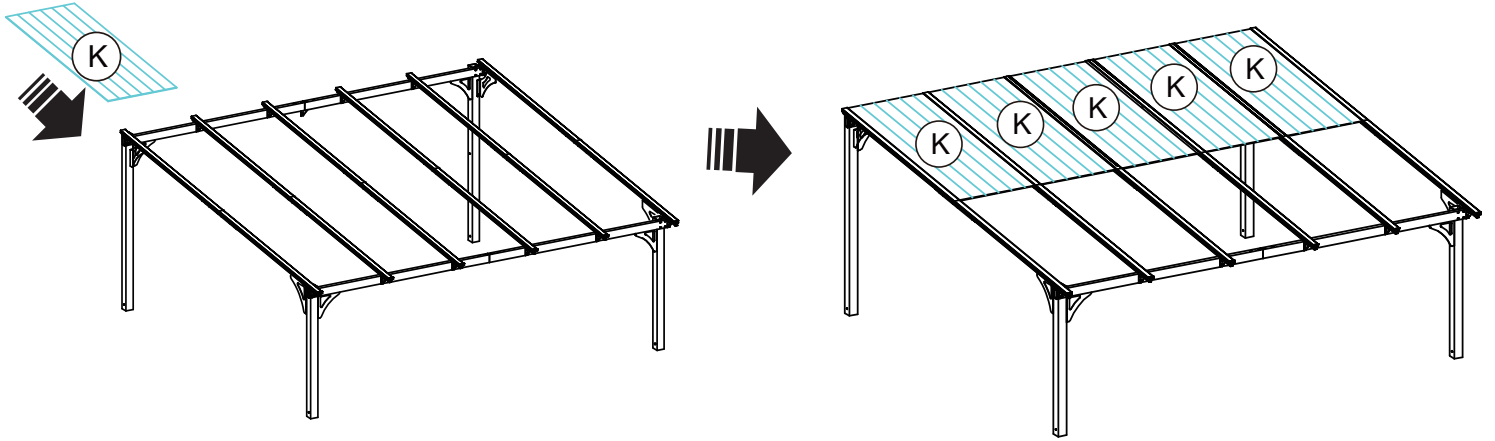


STEP 8: Install the canopy.



K:5PCS

1. Insert UV Protected Board K (5pcs) into the slots of E-E/E1-E2, with the sunlight-resistant side facing out.



STEP 9: Install the canopy.



W:6PCS

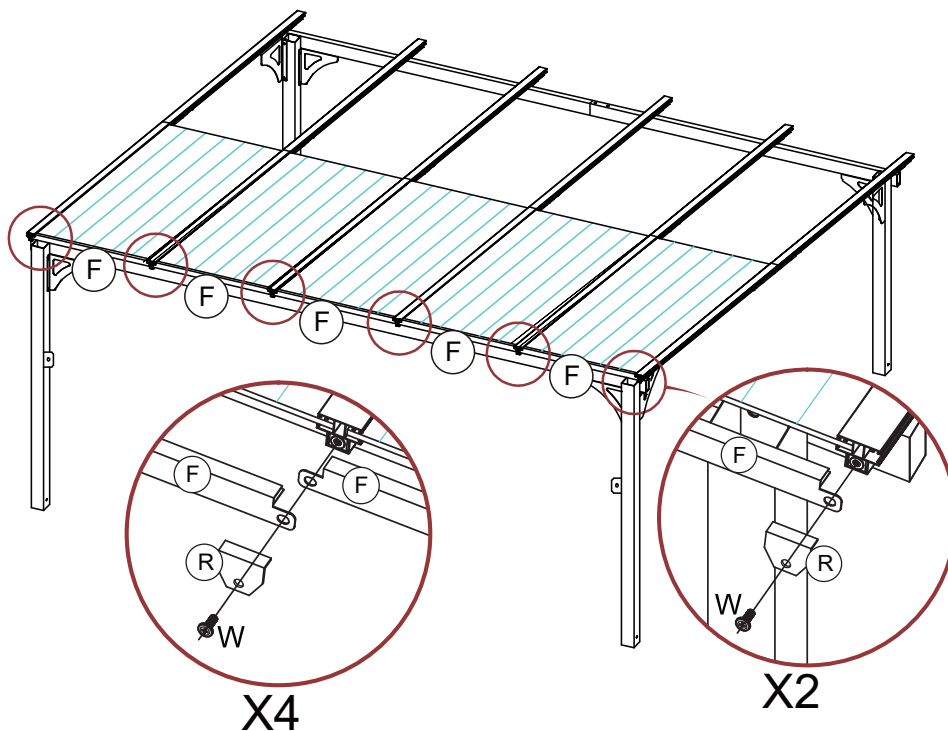


R:6PCS



F:5PCS

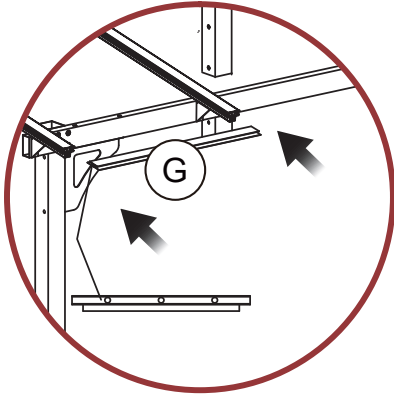
1. Snap Board Protection F (4pcs) onto the edge of UV Protected Board K (4pcs), then secure the center hole with screw W (5pcs) and Arm Protection R (5pcs).



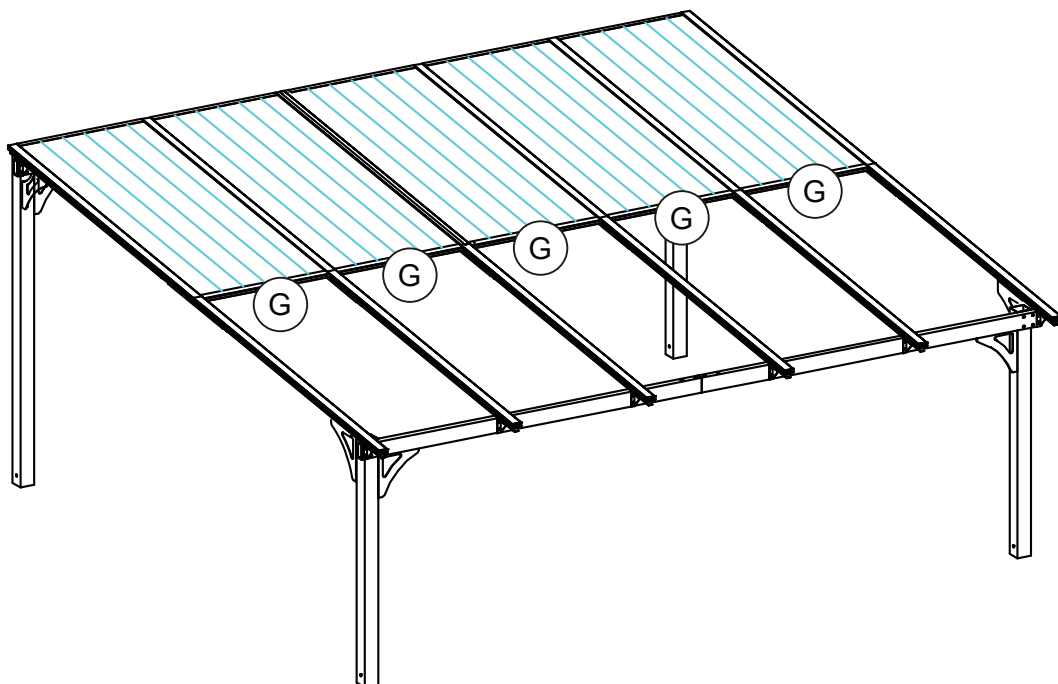
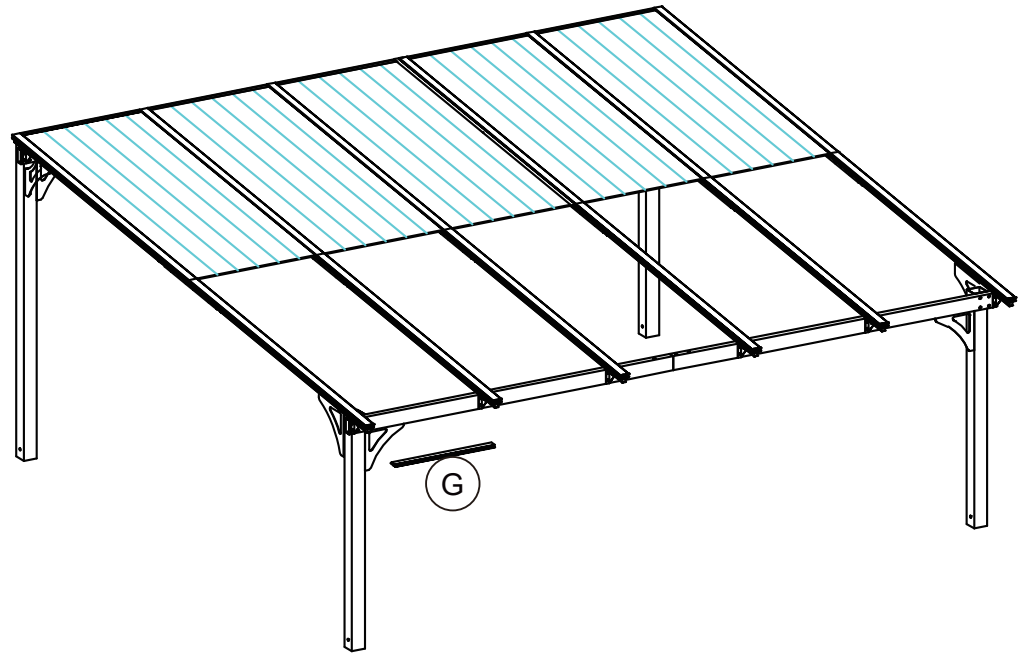
STEP 10: Install the canopy.

 G:5PCS

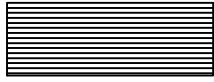
1. Insert Middle Board Connection G (4pcs) into the slots of E-E/E1-E2 to secure UV Protected Board K (4pcs) .



Up the side with
leaking hole

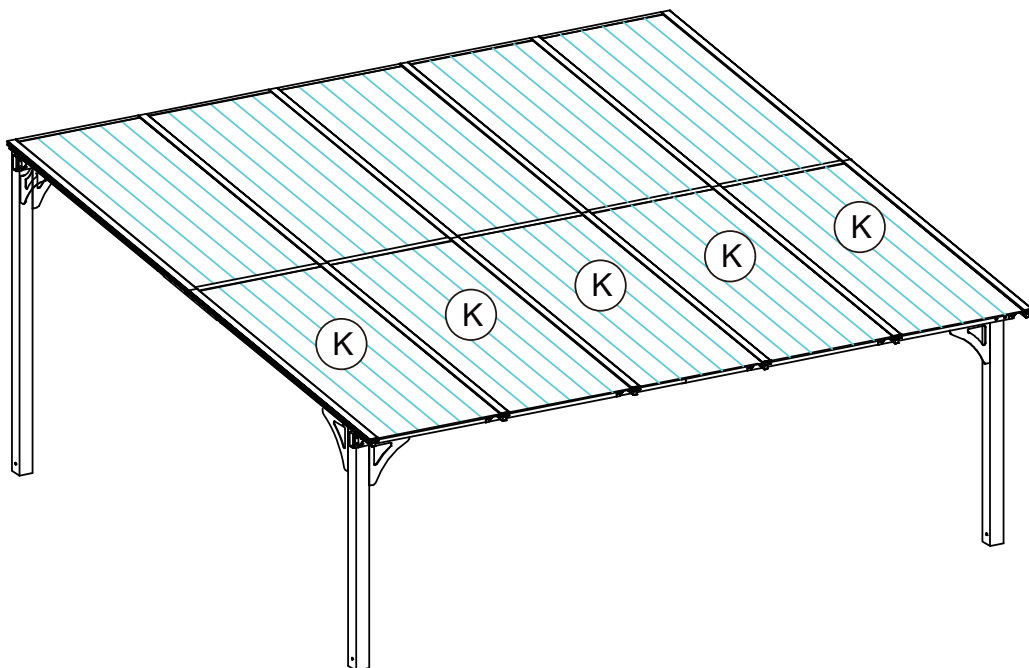
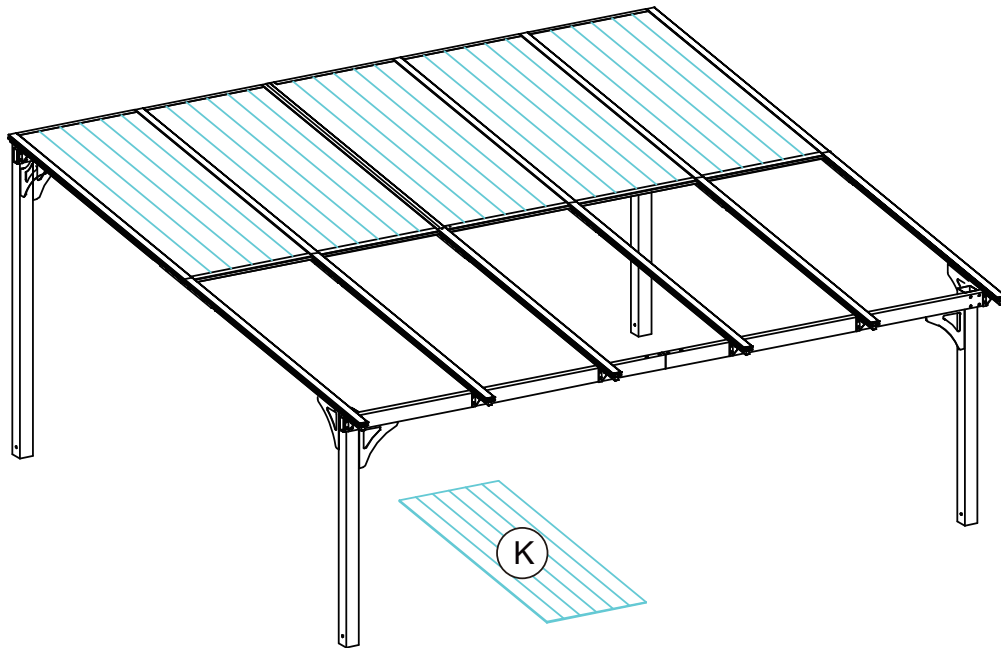


STEP 11: Install the canopy.

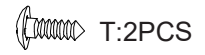
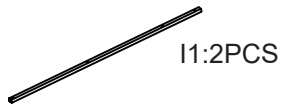


K:5PCS

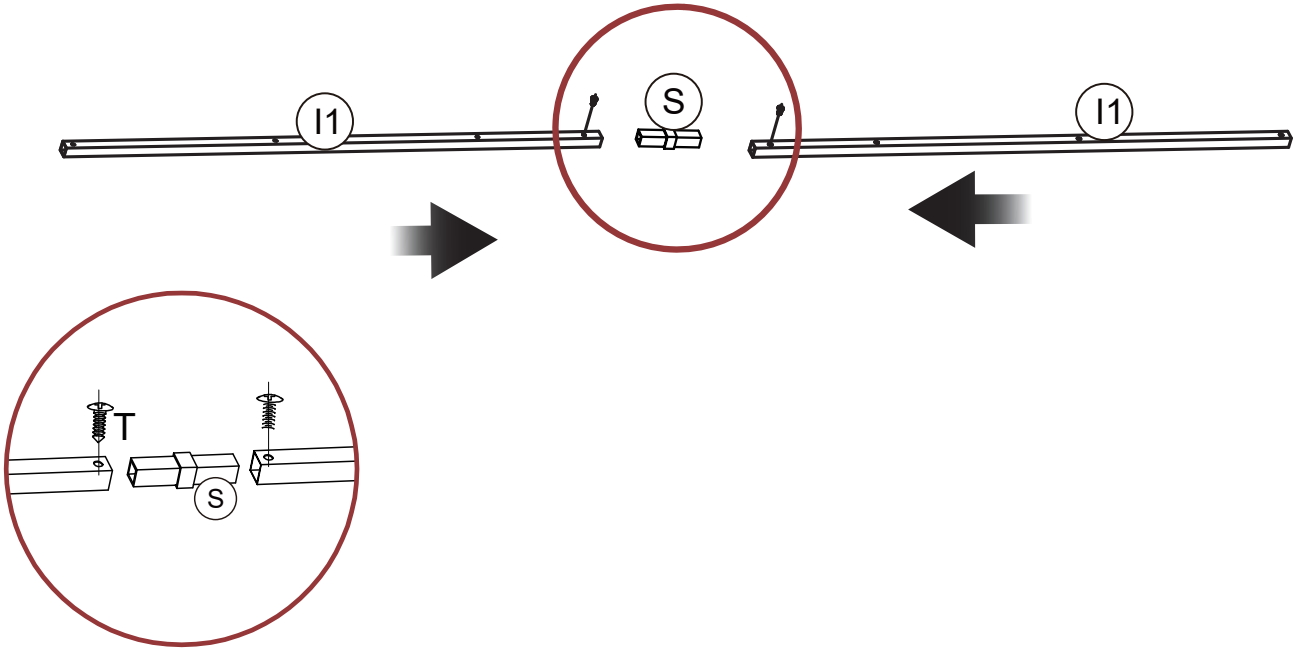
1. Insert UV Protected Board K (5pcs) into the slots of E-E/E1-E2, with the sunlight-resistant side facing out.



STEP 13: Install the canopy.



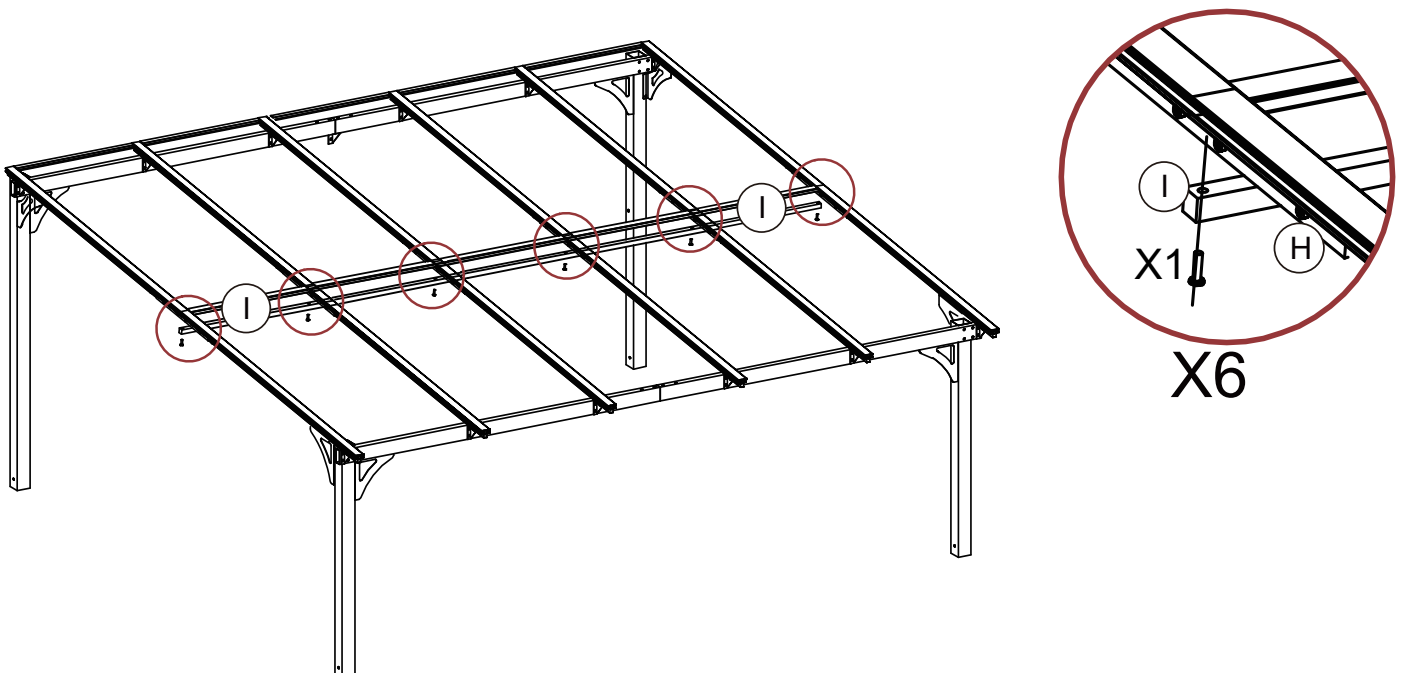
1. Connect I1 (2pcs) through S (1pc) and fix them with T (2pcs)



STEP 14: Install the canopy.



1. Connect the assembly from Step 13 to E-E/E1-E2 via screw X1 (6pcs) .



STEP 15: Install the canopy.

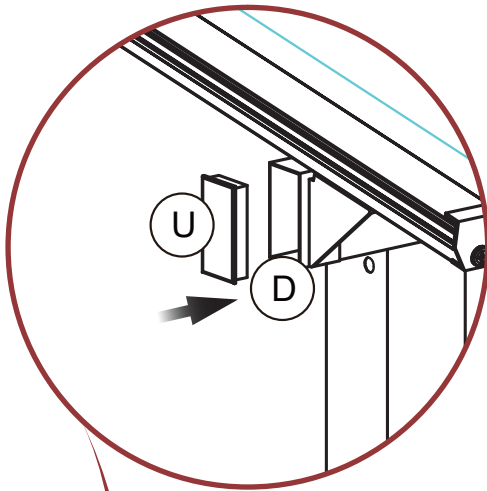


U:4PCS

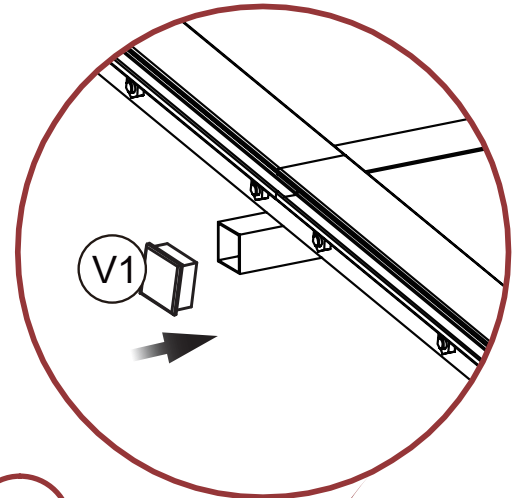


V1:2PCS

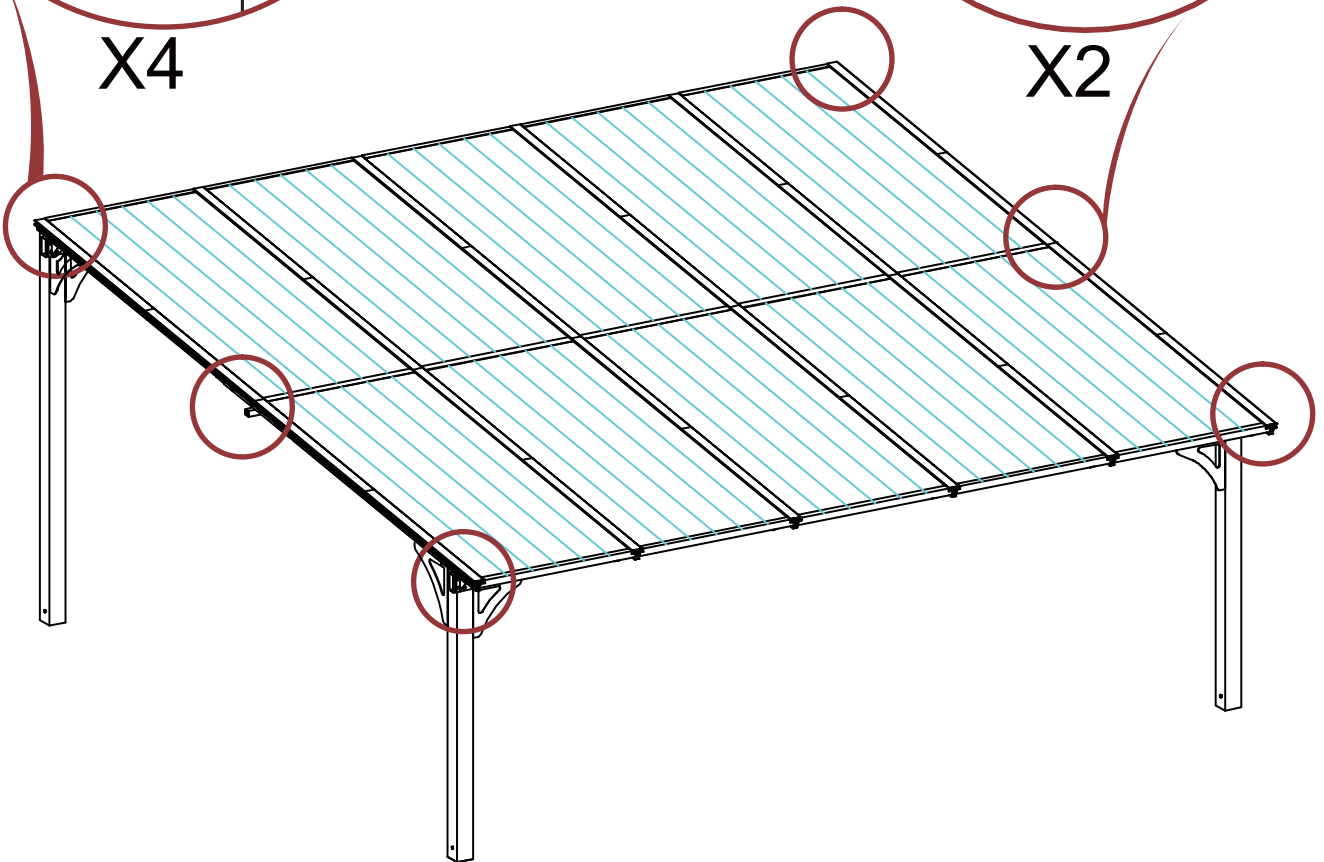
1. Insert Plug U (4pcs) into the ends of D/D1/D4/D5.
2. Insert Plug V1 (2pcs) into the ends of I.



X4



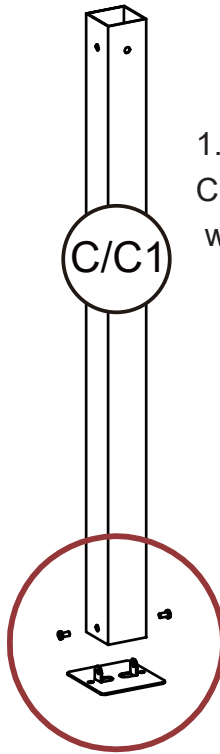
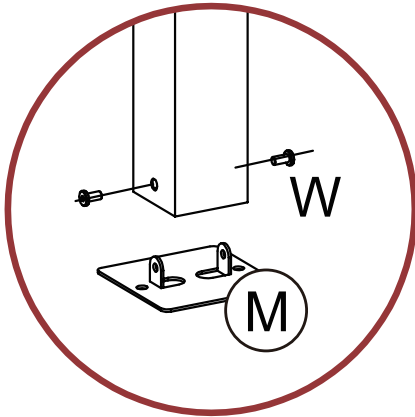
X2



STEP 16: Install the column(s).

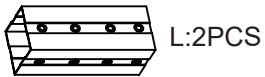


X4



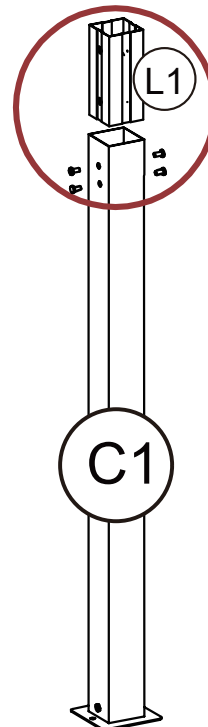
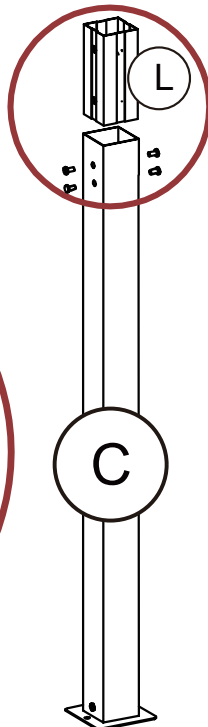
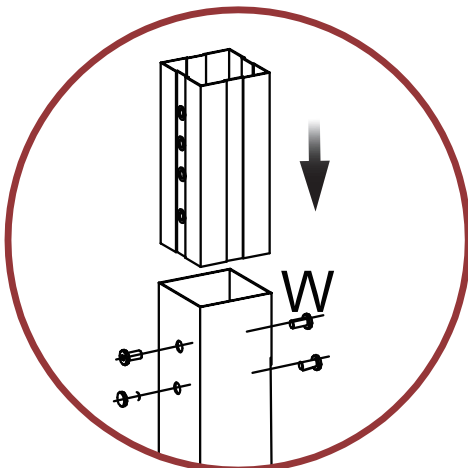
1. Connect Bottom Leg C (2pcs) /Bottom Leg C1 (2pcs) to Wall & Beam Connection M (4pcs) with screw W (8pcs) .

STEP 17: Install the column(s).

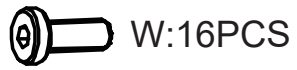


X2

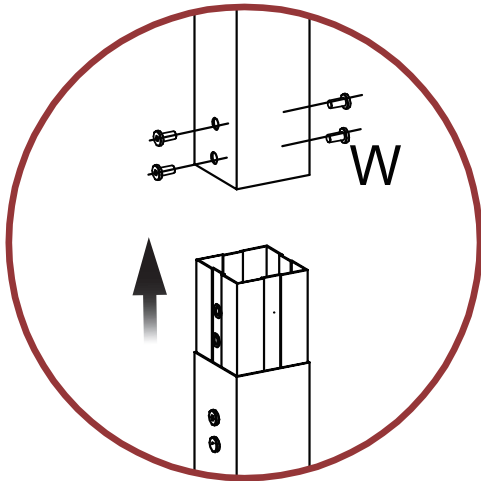
1. Connect Leg Connection L (2pcs) /Leg Connection L1 (2pcs) to C/C1 with screw W (16pcs) .



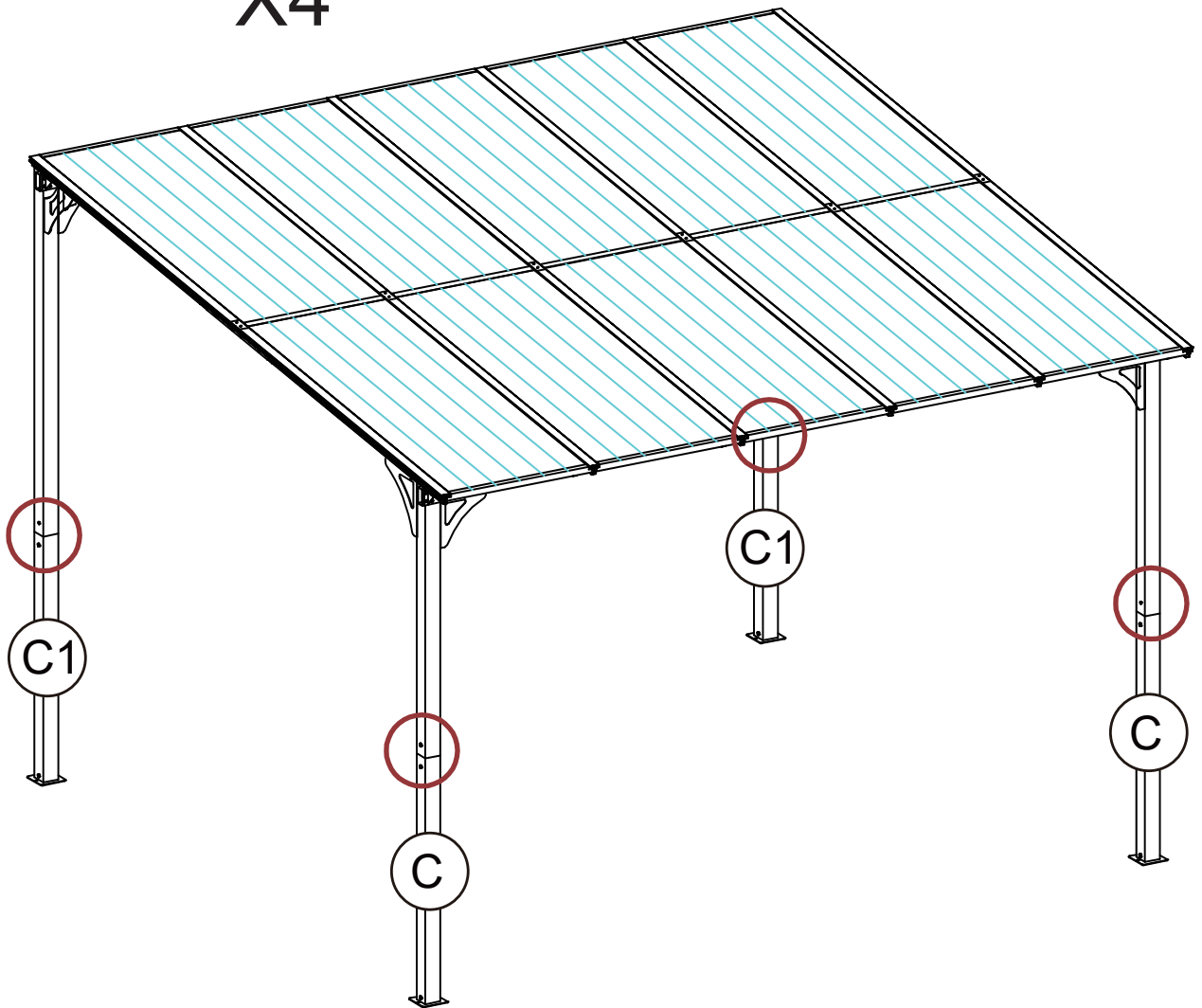
STEP 18: Install the column(s).



1. Connect the assemblies from Steps 15 and 17 with W (16pcs) .



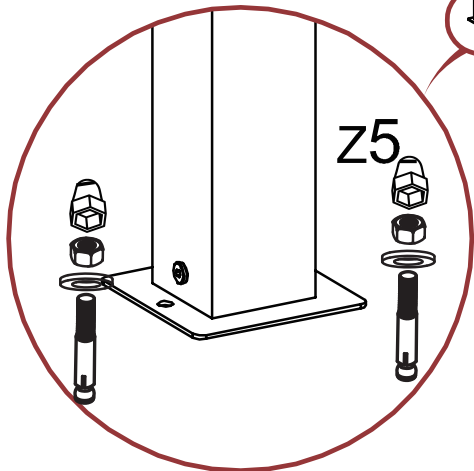
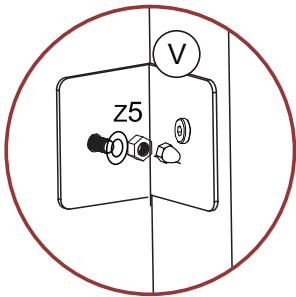
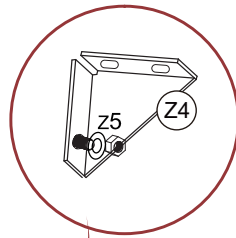
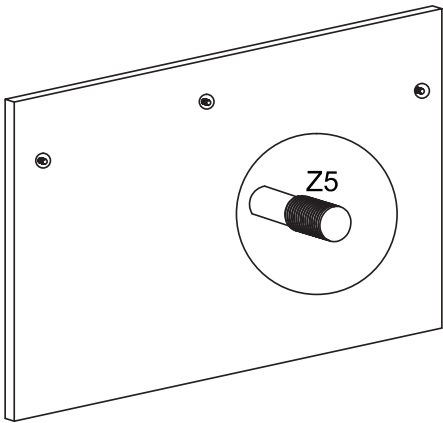
X4



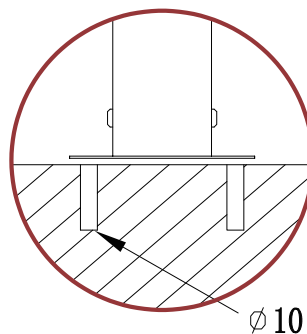
STEP 19: Position and secure.

Z5:11pcs

1. Secure Middle Wall Connection Z4 and Wall Connection V against the wall with expansion screw Z5 (3pcs) .
2. Secure it to the ground using expansion screw Z5 (8pcs) .



X4



Ø10

