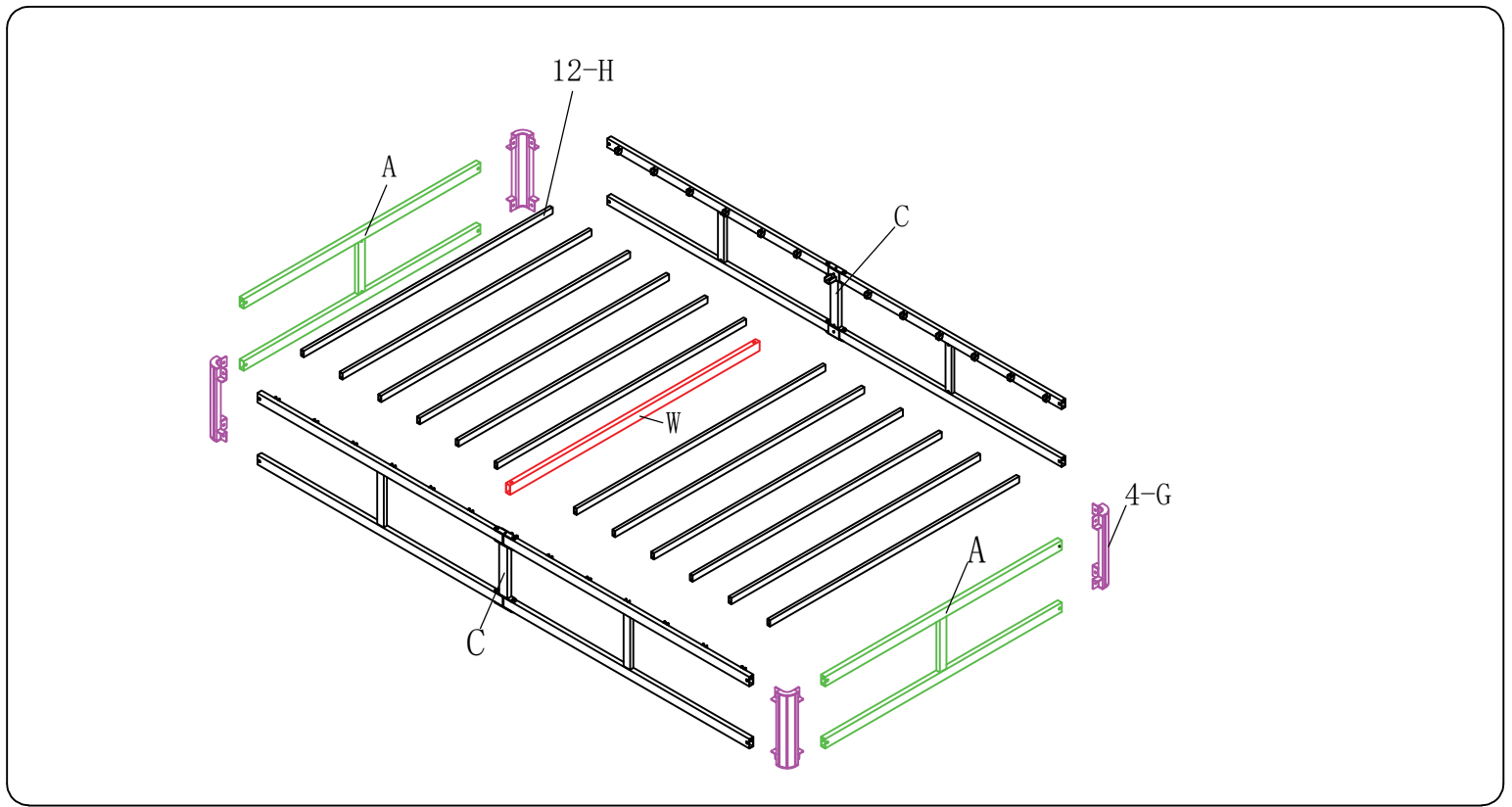
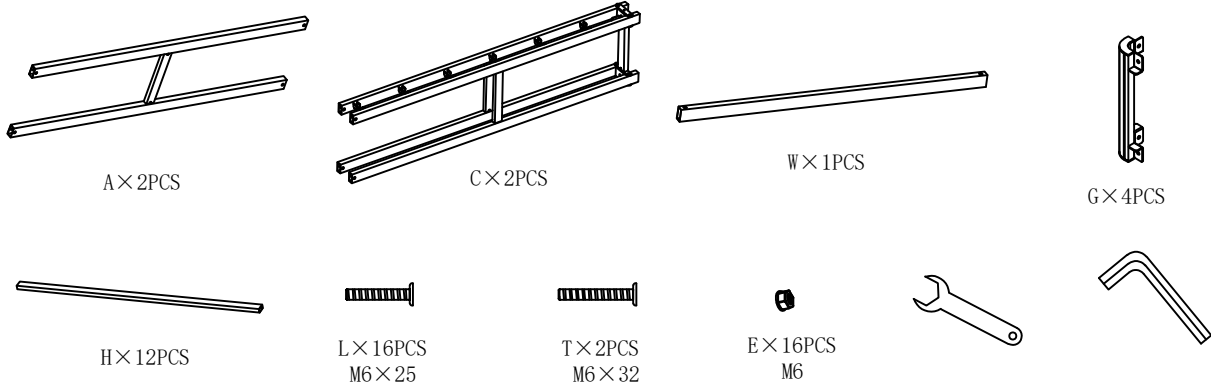
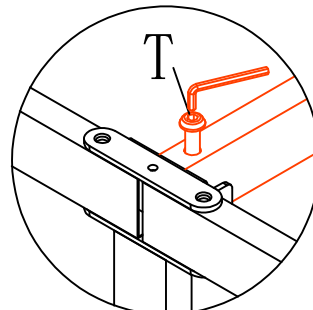
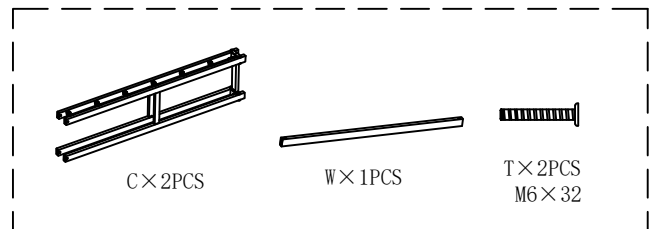
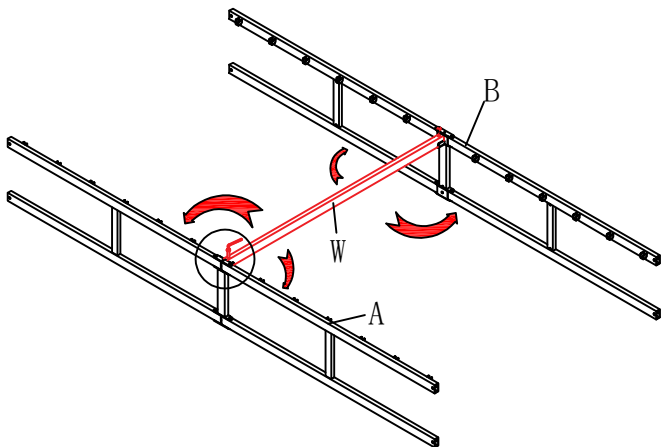


BOX SPRING Set-up Instruction

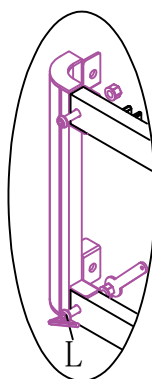
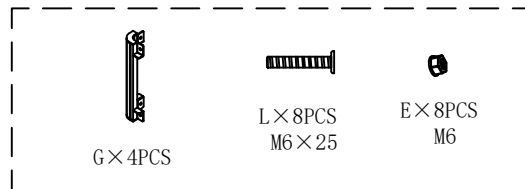
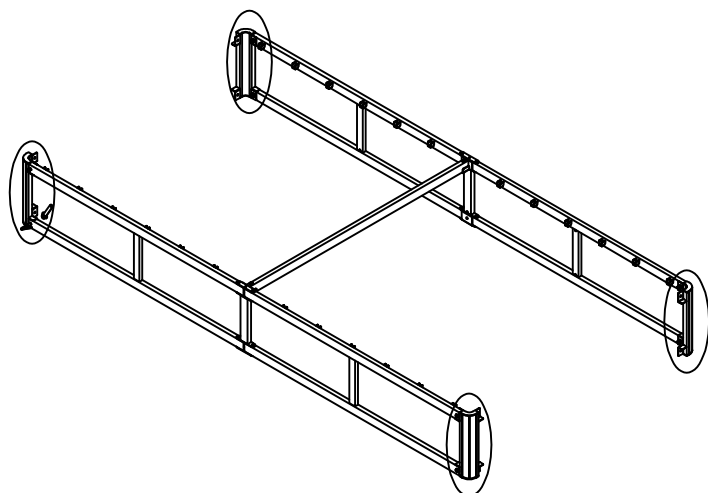
Size:Twin/ Twin XL



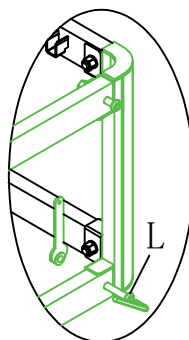
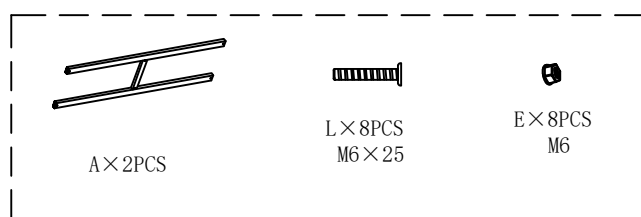
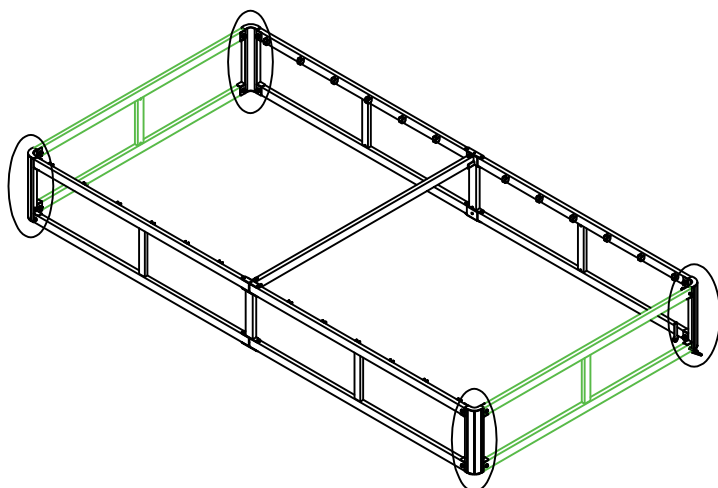
Step1:Unfold and layout parts A&D;
Join them with screws as shown



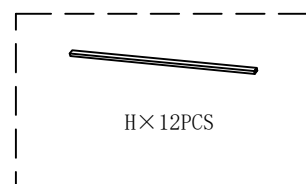
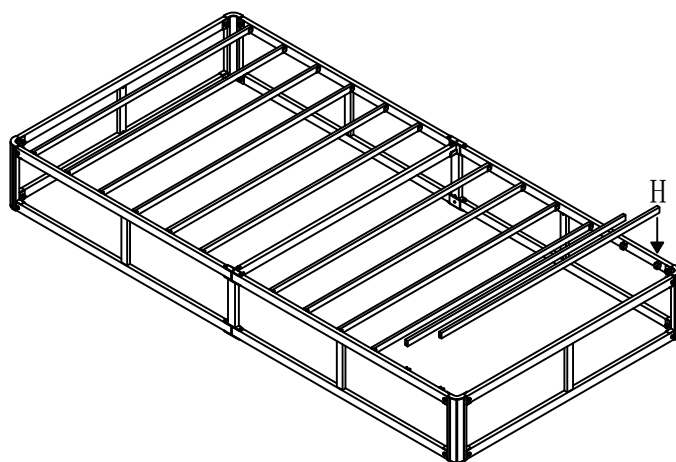
Step2: Joint four corners with screws as shown



Step3: Joint parts B with screws as shown



Step4: Insert 12 E slats



If you have any questions about the product, please don't hesitate to contact us. You can reach us through your order. Thanks for your support!