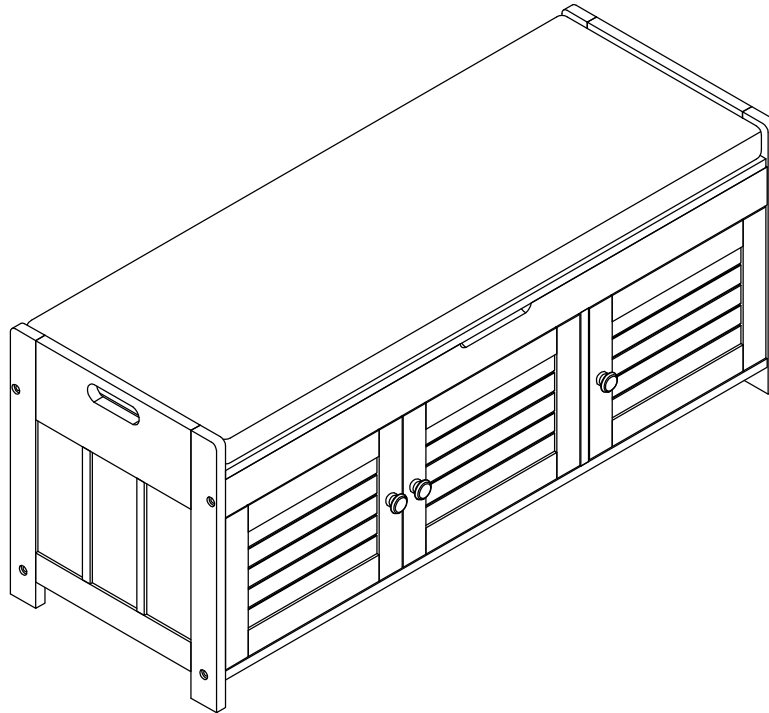


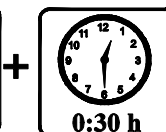
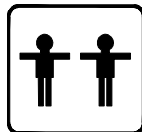
ASSEMBLY INSTRUCTIONS

CABINET

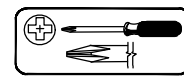


Thank you for purchasing this quality product. Be sure to check all packing material carefully for small parts which may have come loose inside the carton during shipment. Separate, identify and count all parts and hardware. Compare with the parts list to be sure all parts are present.
"DO NOT TIGHTEN SCREWS UNTIL COMPLETELY ASSEMBLED"

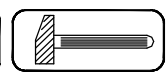
*** Use of power tool to assemble this product will invalidate any claim and damage this product making unsafe !!!**
*** Please assemble on a clean soft surface to avoid damage.**



Tools Required



(Not included)



(Not included)

IMPORTANT:

PLEASE READ INSTRUCTION BEFORE STARTING THE ASSEMBLY

Thank you for buying our products.

Please read the installation manual carefully before installation,

we need you to follow the instructions on the accessories and hardware

step by step assembly complete, our instructions are very detailed.

Products are environmentally friendly products,

Please rest assured that you do not soak in water, do not place very heavy items,

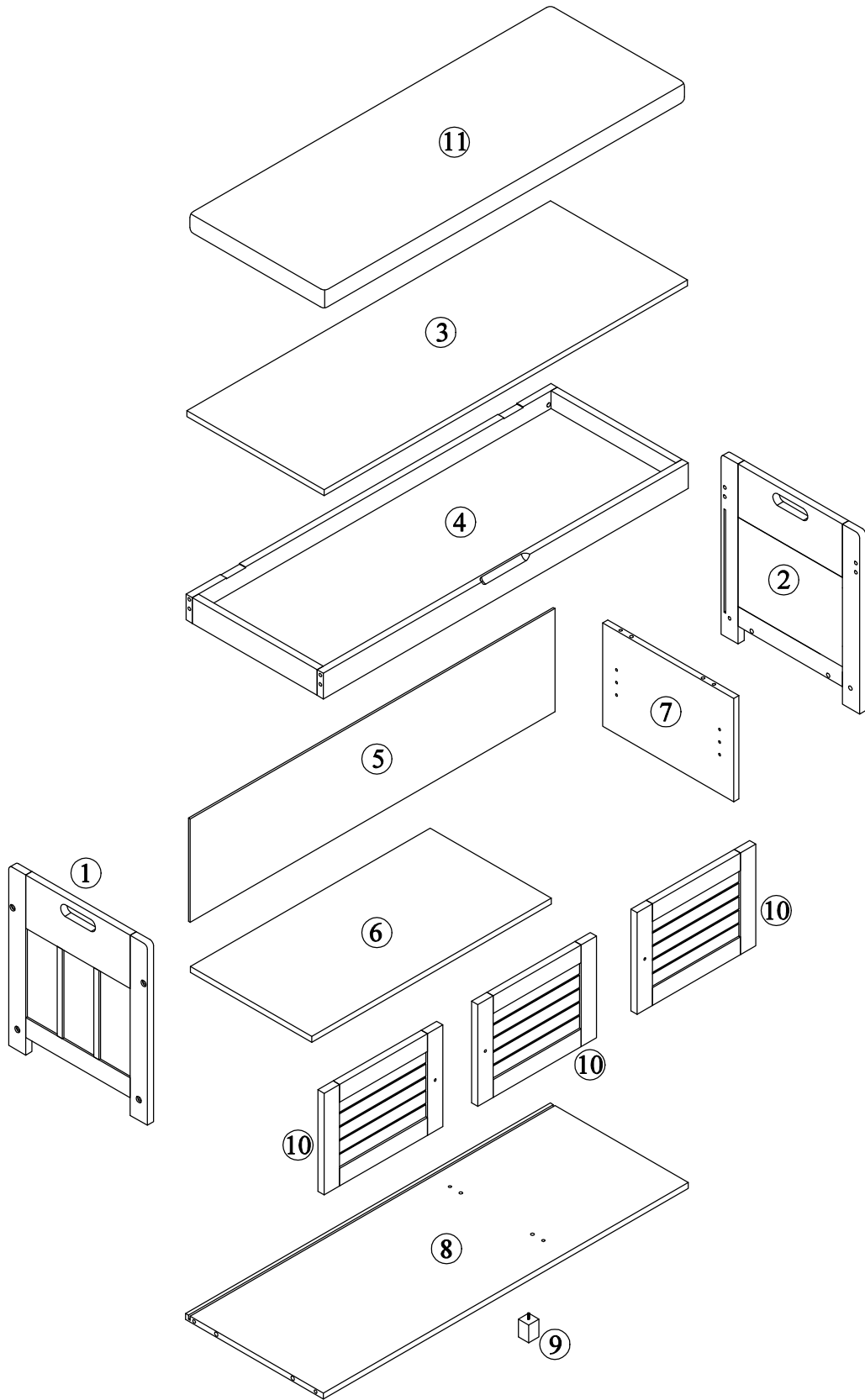
do not malicious push and pull,

if you have any problems in the process of assembly and use, please contact us.

Thank you again for your purchase of our products,

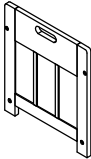
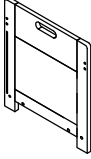
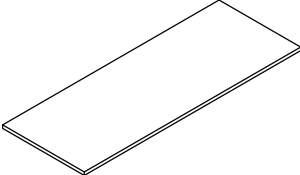
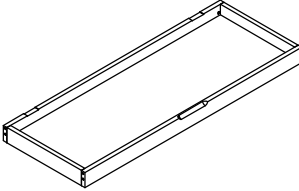
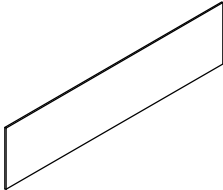
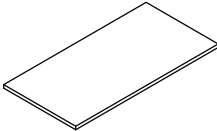
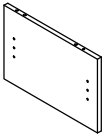
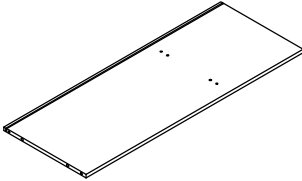
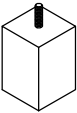
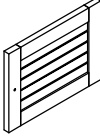
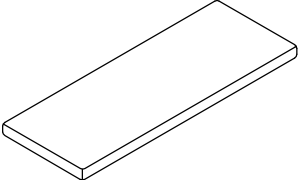
I wish you a happy life.

Detail View - CABINET



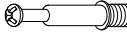

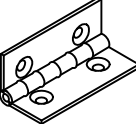
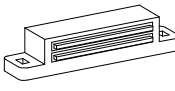

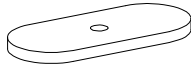
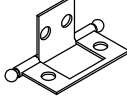

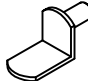


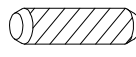



Identifying the Hardware-Identify the hardware using the illustrations below.

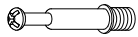
Part List-

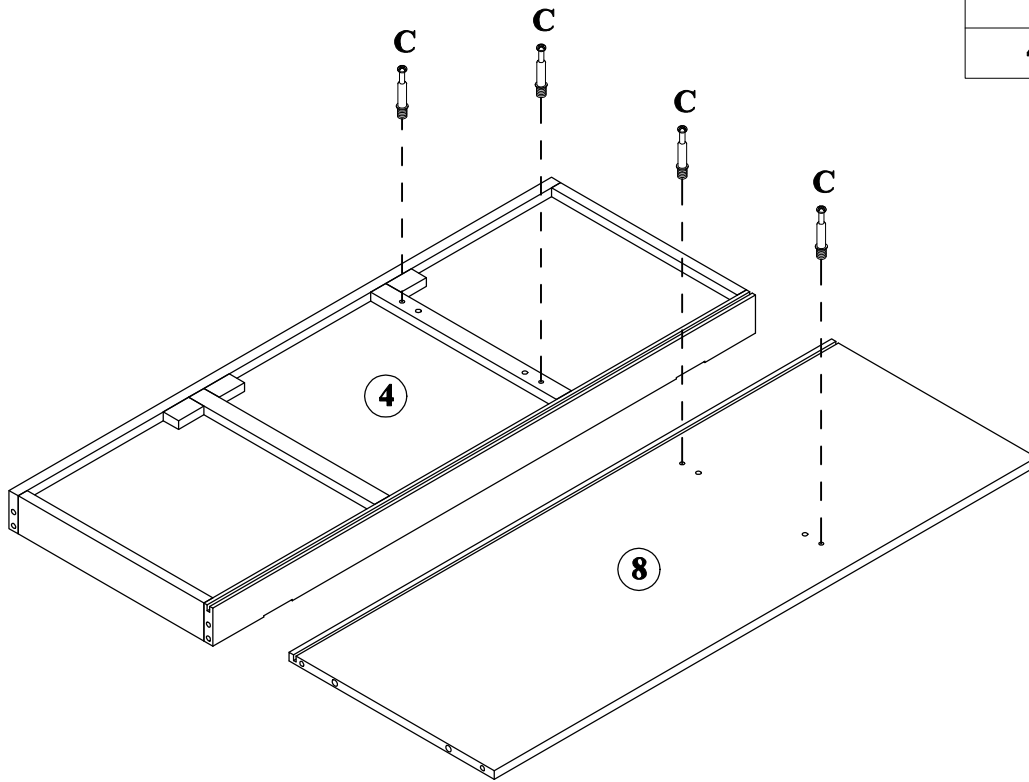
<p>1</p>  <p>Left side - 1pc</p>	<p>2</p>  <p>Right side - 1pc</p>
<p>3</p>  <p>Top panel - 1pc</p>	<p>4</p>  <p>Top frames - 1pc</p>
<p>5</p>  <p>Back panel - 1pc</p>	<p>6</p>  <p>Mid panel - 1pc</p>
<p>7</p>  <p>Middle vertical plate - 1pc</p>	<p>8</p>  <p>Bottom panel - 1pc</p>
<p>9</p>  <p>Support feet - 1pc</p>	<p>10</p>  <p>Cabinet door - 3pcs</p>
<p>11</p>  <p>Cushions - 1pc</p>	

Hardware List-



<p>A</p>  <p>$\varnothing 13 \times 1/4" \times 50 \text{mm}$</p> <p>Hex-Head bolts(8pcs)</p>	<p>B</p>  <p>$\varnothing 10 \times 13 \text{mm}$</p> <p>Horizontal-Hole bolts(8pcs)</p>	<p>C</p>  <p>$\varnothing 6 \times 35 \text{mm}$</p> <p>Three in one bolts(4pcs)</p>
<p>D</p>  <p>$\varnothing 14.5 \times 12 \text{mm}$</p> <p>Three in one lock(4pcs)</p>	<p>E</p>  <p>Damping hinge(6pcs)</p>	<p>G</p>  <p>$45 \times 16 \times 14 \text{mm}$</p> <p>Door magnet(2pcs)</p>
<p>H</p>  <p>$\varnothing 6 \times \varnothing 3 \times 12 \text{mm}$</p> <p>Round head screw(4pcs)</p>	<p>I</p>  <p>$35 \times 12 \times 1 \text{mm}$</p> <p>Magnetic iron sheet(3pcs)</p>	<p>J</p>  <p>Hinges(2pcs)</p>
<p>K</p>  <p>$\varnothing 7 \times \varnothing 3.5 \times 12 \text{mm}$</p> <p>Flat head screw(35pcs)</p>	<p>L</p>  <p>Laminate pad(4pcs)</p>	<p>M</p>  <p>Handle(3pcs)</p>
<p>N</p>  <p>$\varnothing 5/32" \times 25 \text{mm}$</p> <p>Handle screw(3pcs)</p>	<p>O</p>  <p>$\varnothing 8 \times 30 \text{mm}$</p> <p>Wood dowel(12pcs)</p>	<p>P</p>  <p>4mm</p> <p>Allen key(1pc)</p>

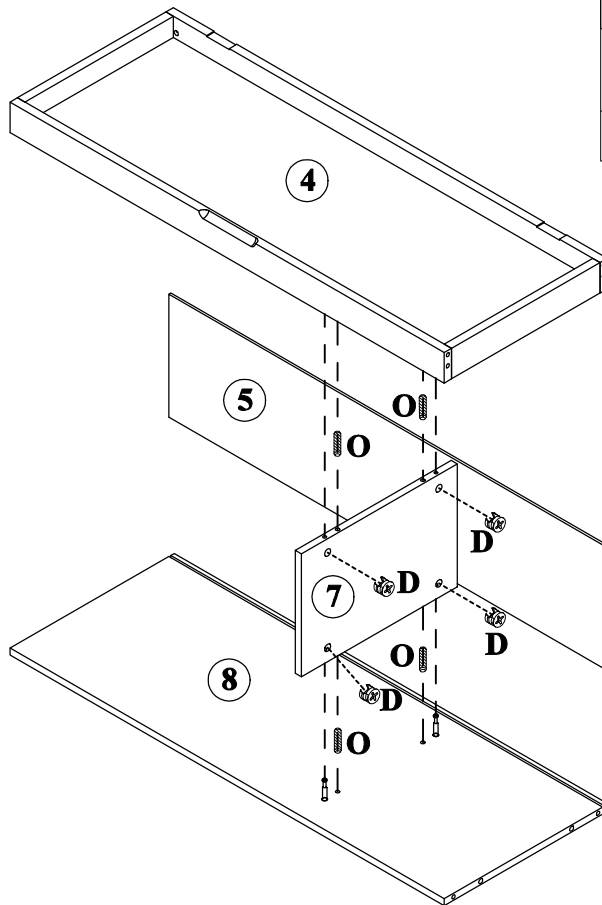
STEP: 1

C	
4PCS	

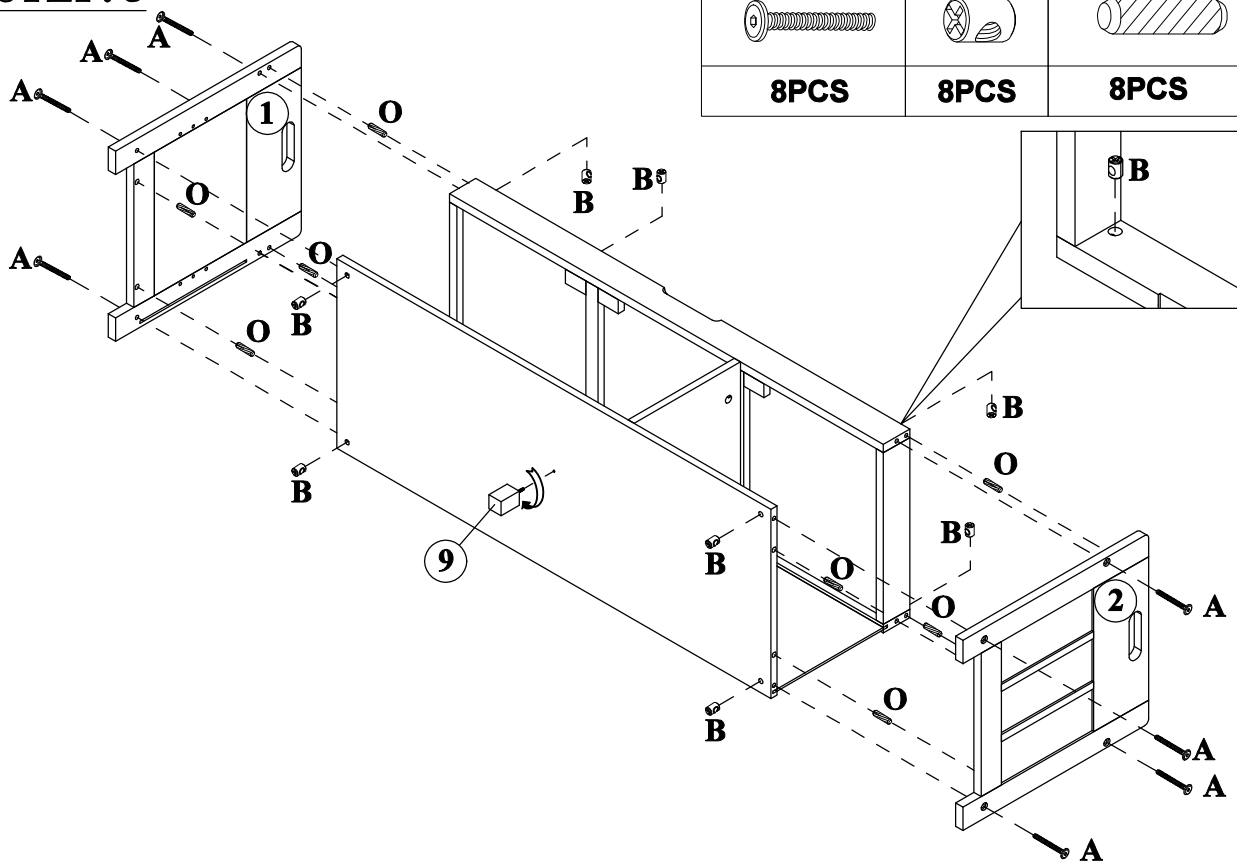



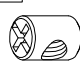
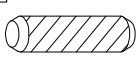
STEP: 2

D		O	
4PCS		4PCS	

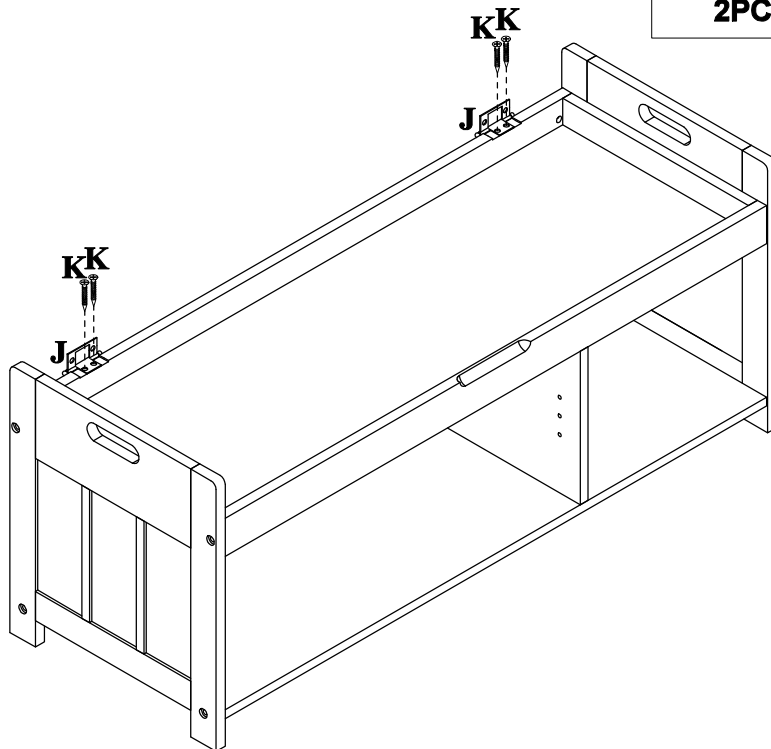


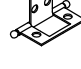

STEP: 3



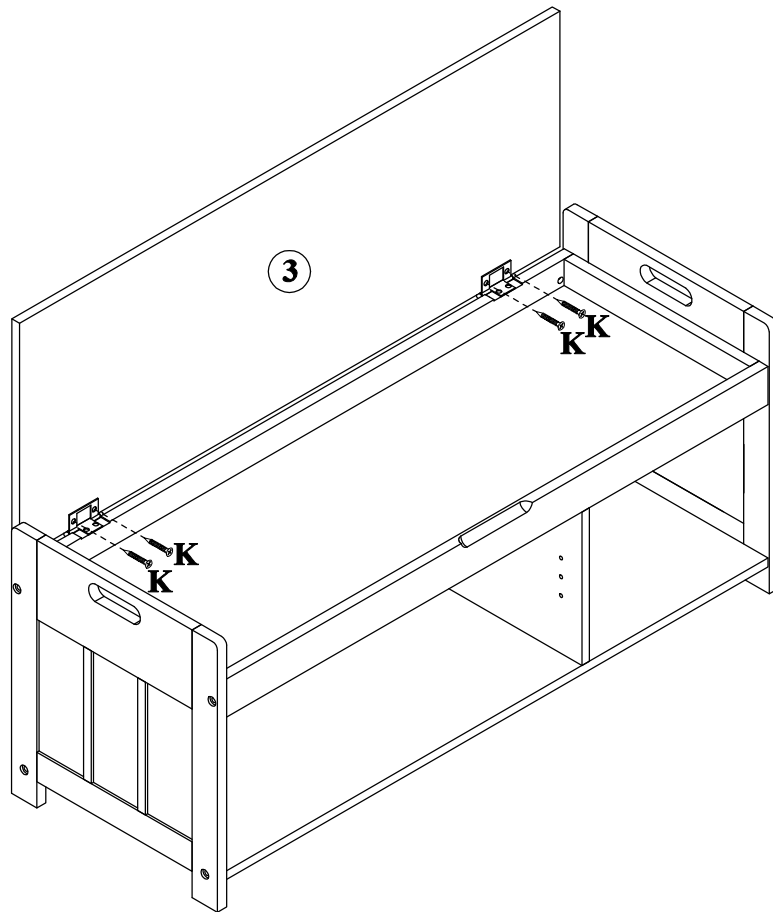
A	B	O
		
8PCS	8PCS	8PCS

STEP: 4



J	K
	
2PCS	4PCS

STEP: 5

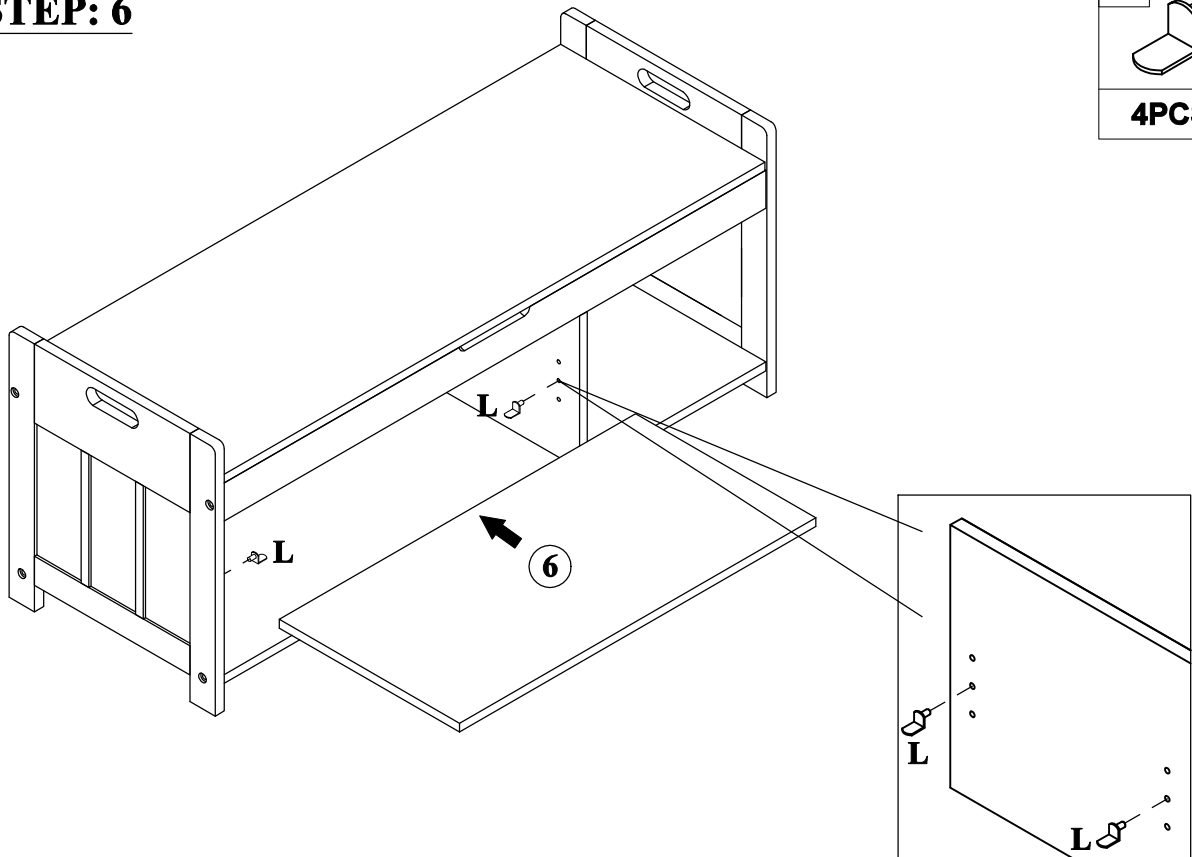


K



4PCS

STEP: 6





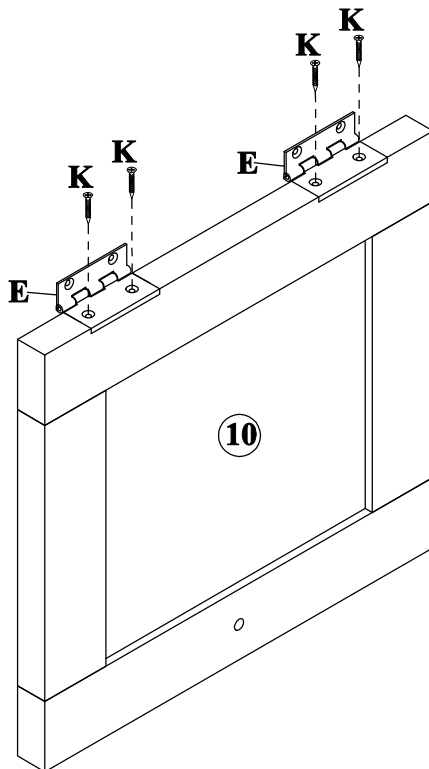
L



4PCS


STEP: 7

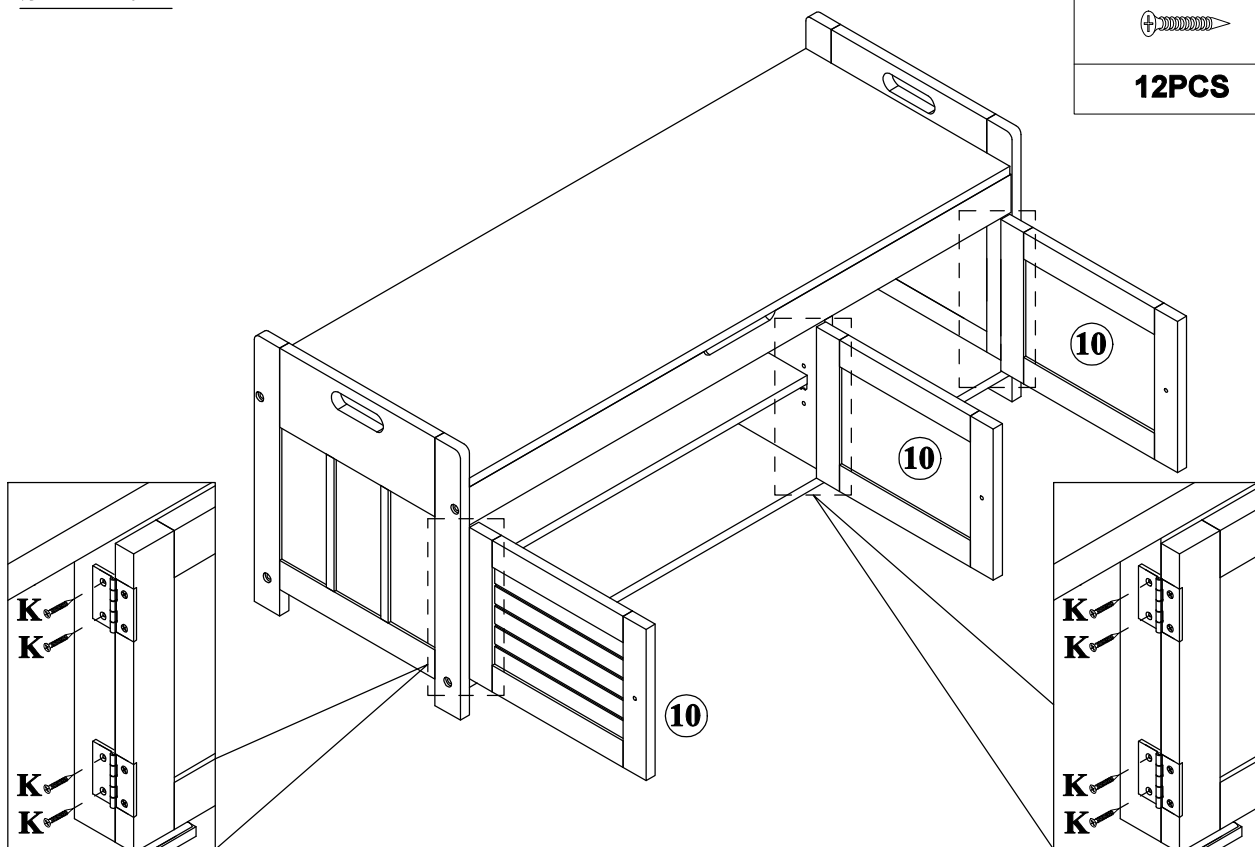
E		K	
6PCS		12PCS	




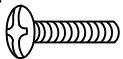
x3

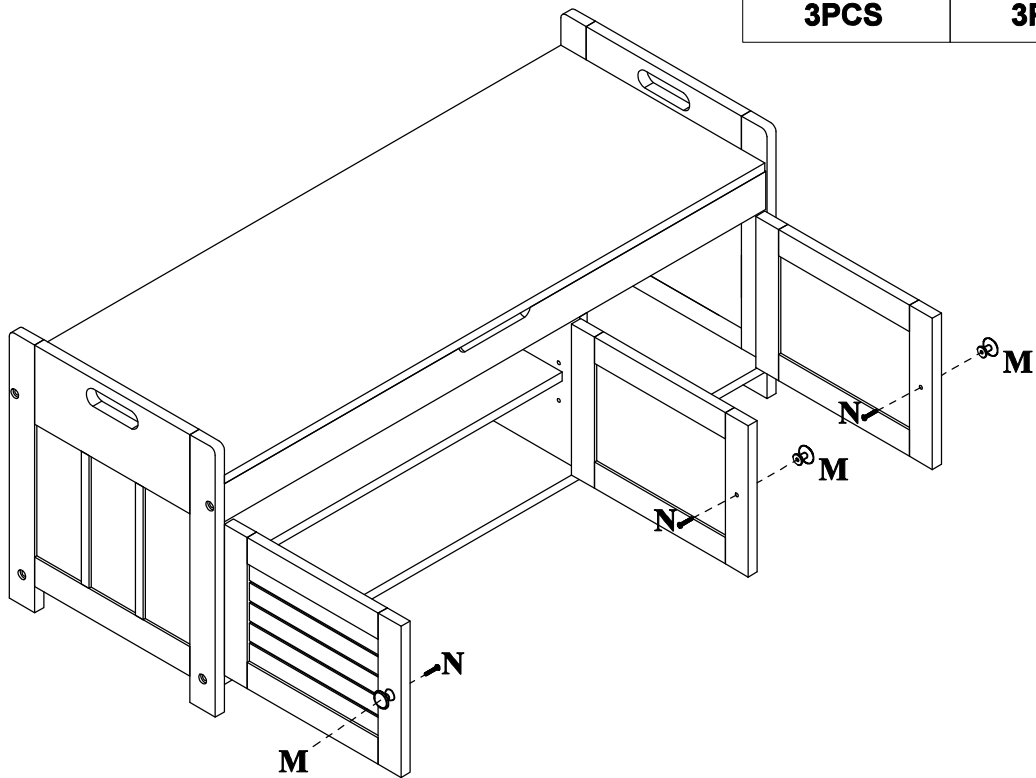
STEP: 8

K	
12PCS	

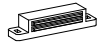





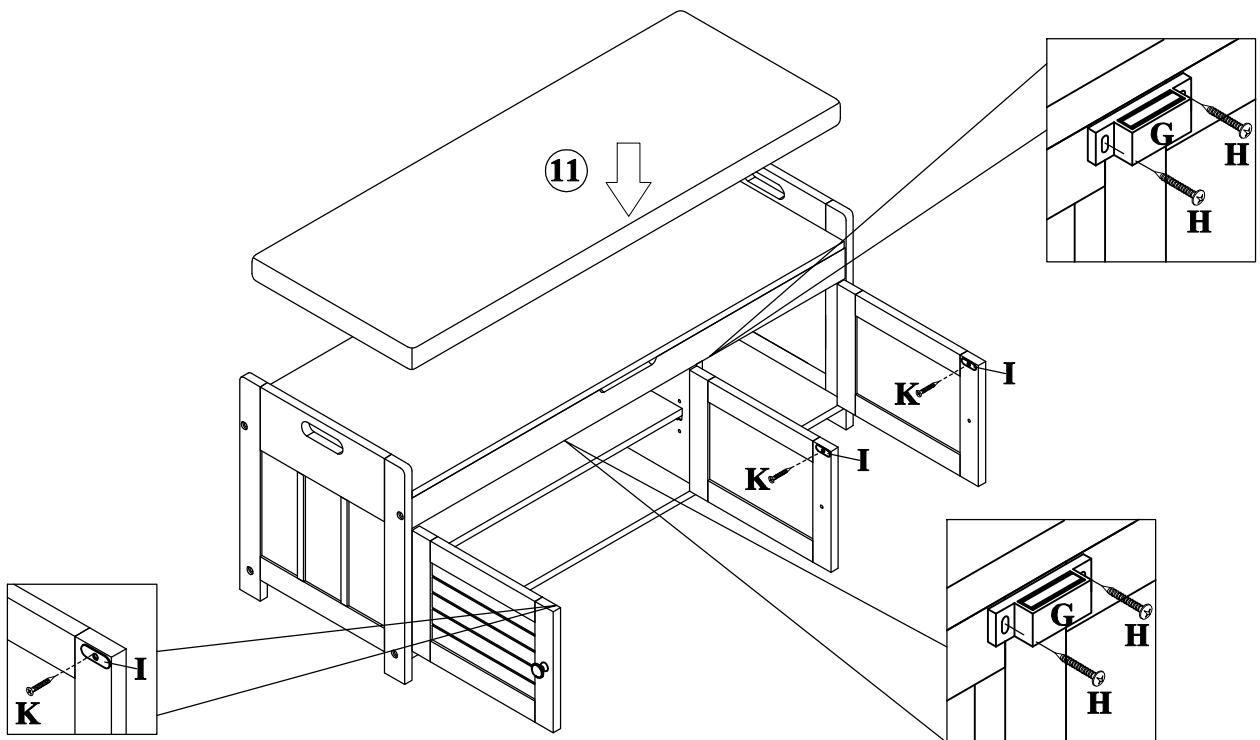
STEP: 9

M		N	
	3PCS		3PCS



STEP: 10

G	H	I	K
			
2PCS	4PCS	3PCS	3PCS



STEP: 11

