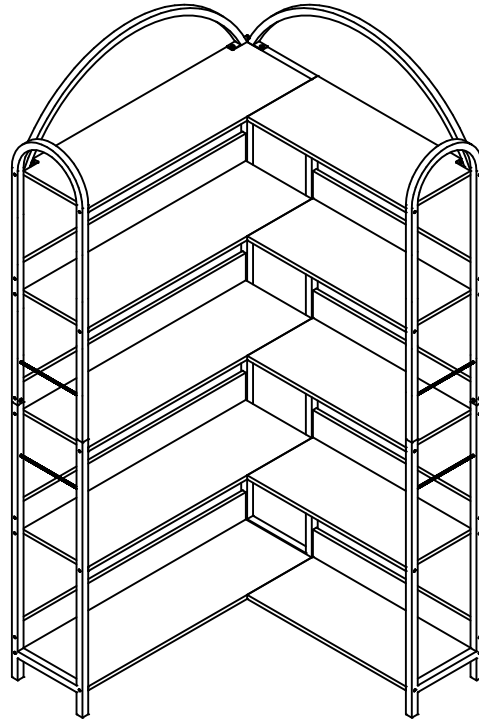


Assembly Instruction



Trouble shooting:

Missing / Wrong / Broken parts and installation issues



Send email with your question pic ,order NO. and screenshot of order details to:



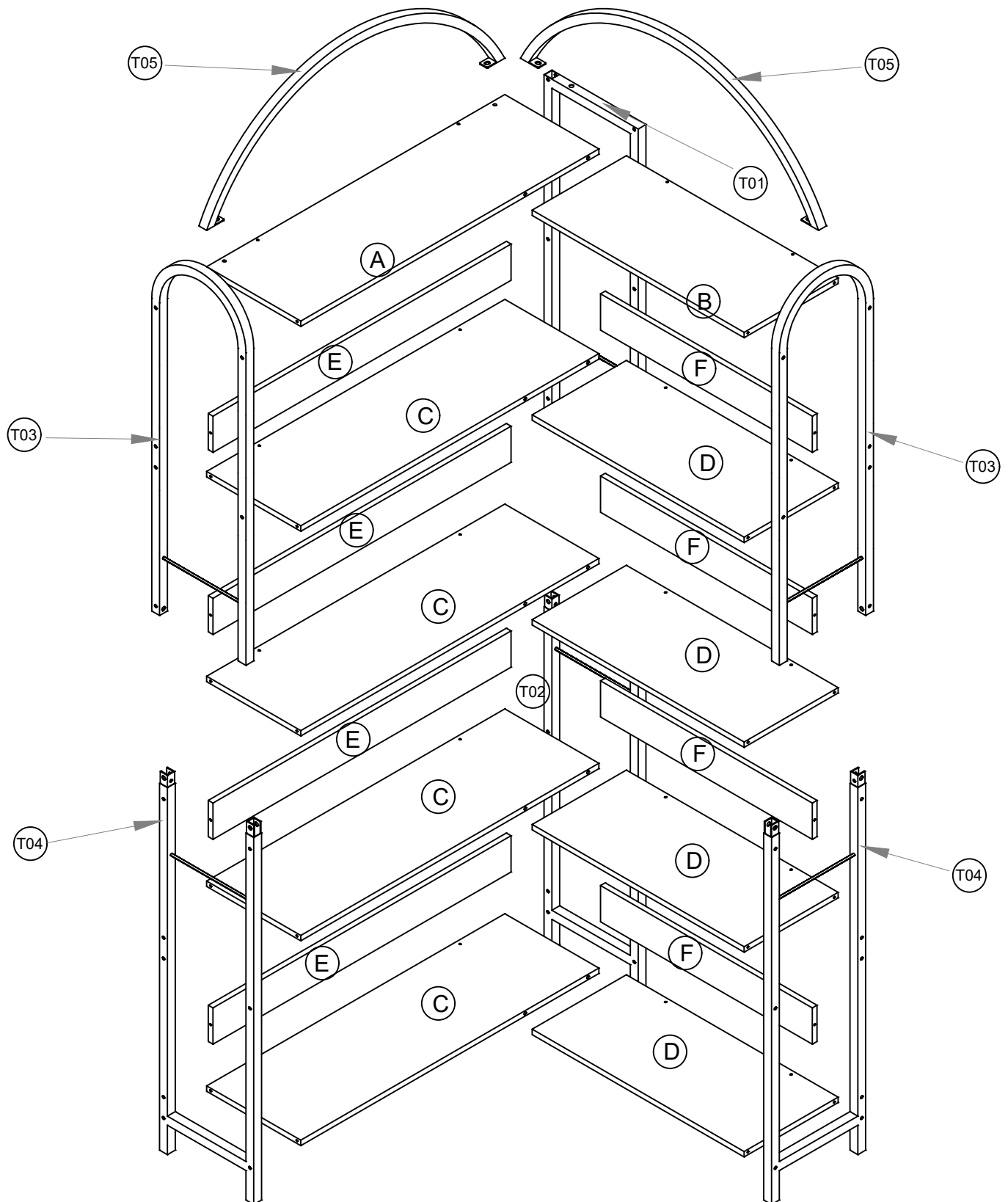
Respond within 24 hours



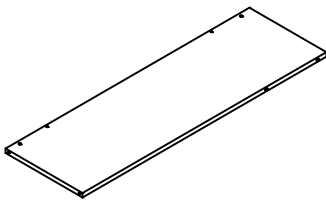
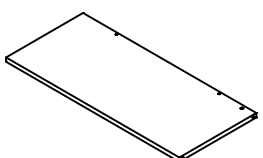
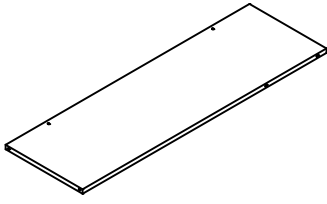
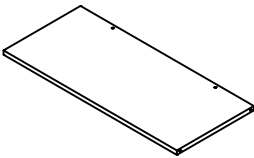
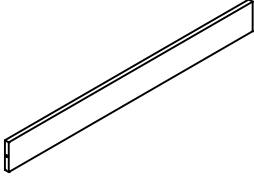
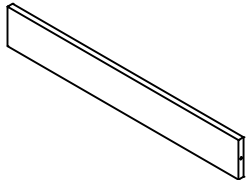
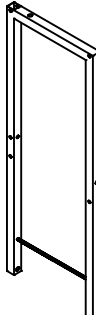
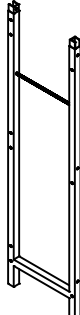
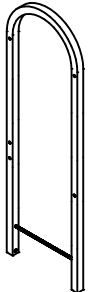
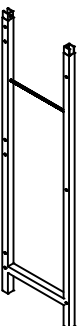
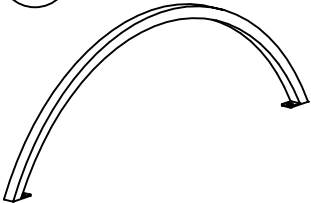

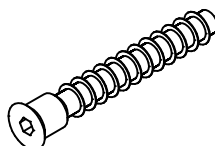
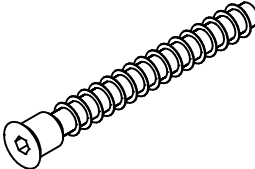
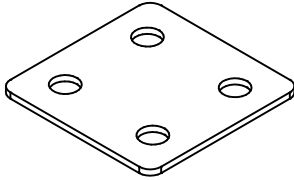
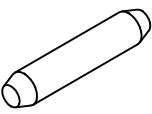

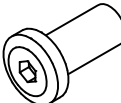
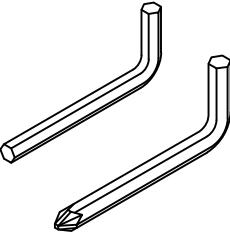
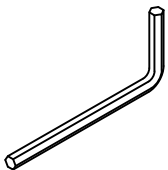
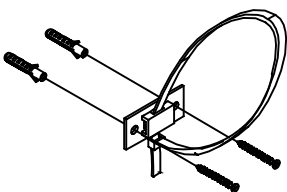
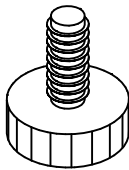
Issue resolved

COMPONENTS ID Nr.

Part Nr.	Qty	Part Nr.	Qty	Part Nr.	Qty
A	1pcs	F	4pcs	T05	2pcs
B	1pcs	T01	1pcs		
C	4pcs	T02	1pcs		
D	4pcs	T03	2pcs		
E	4pcs	T04	2pcs		

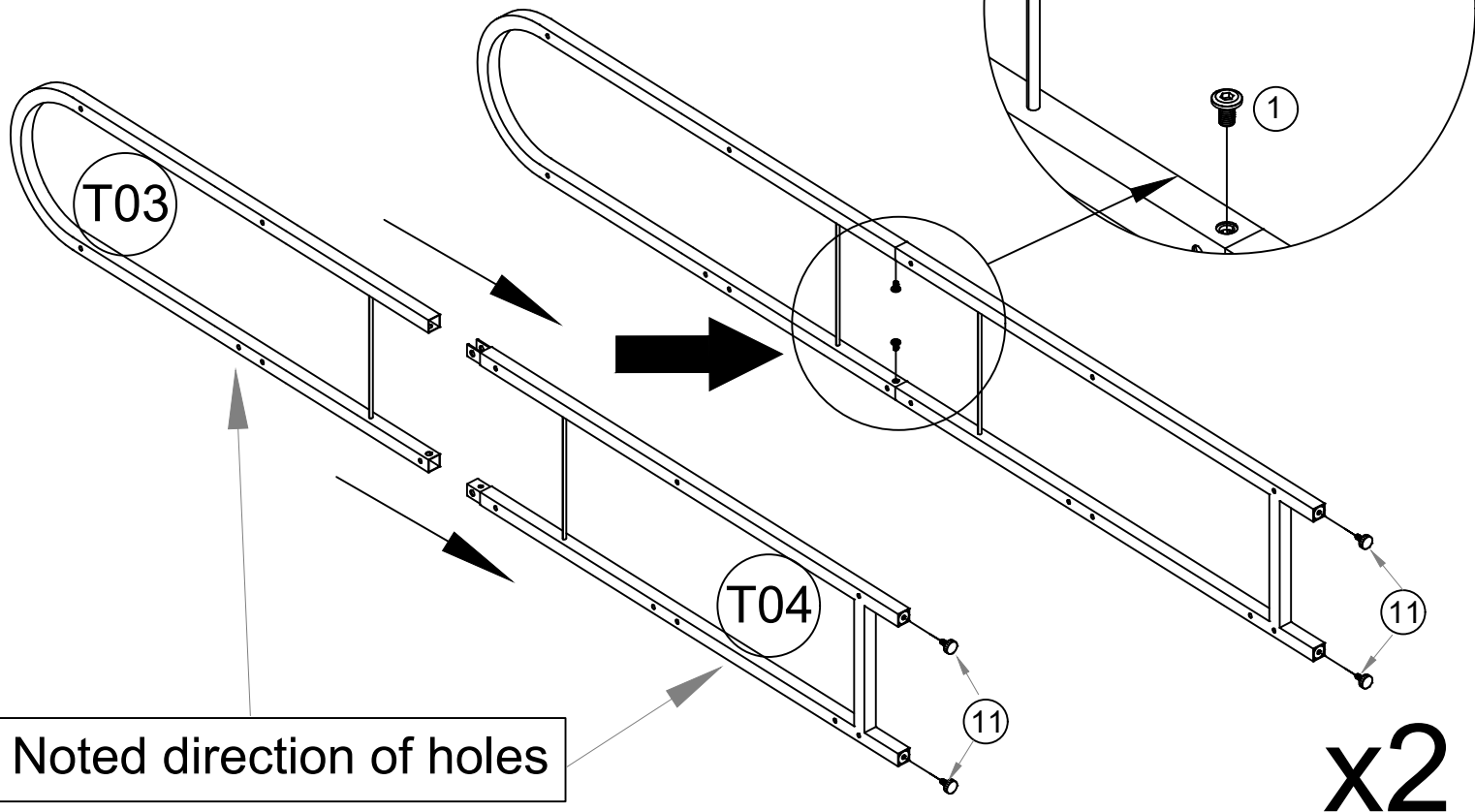
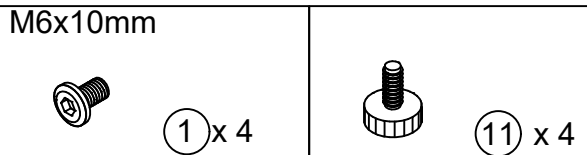


HARDWARE LIST

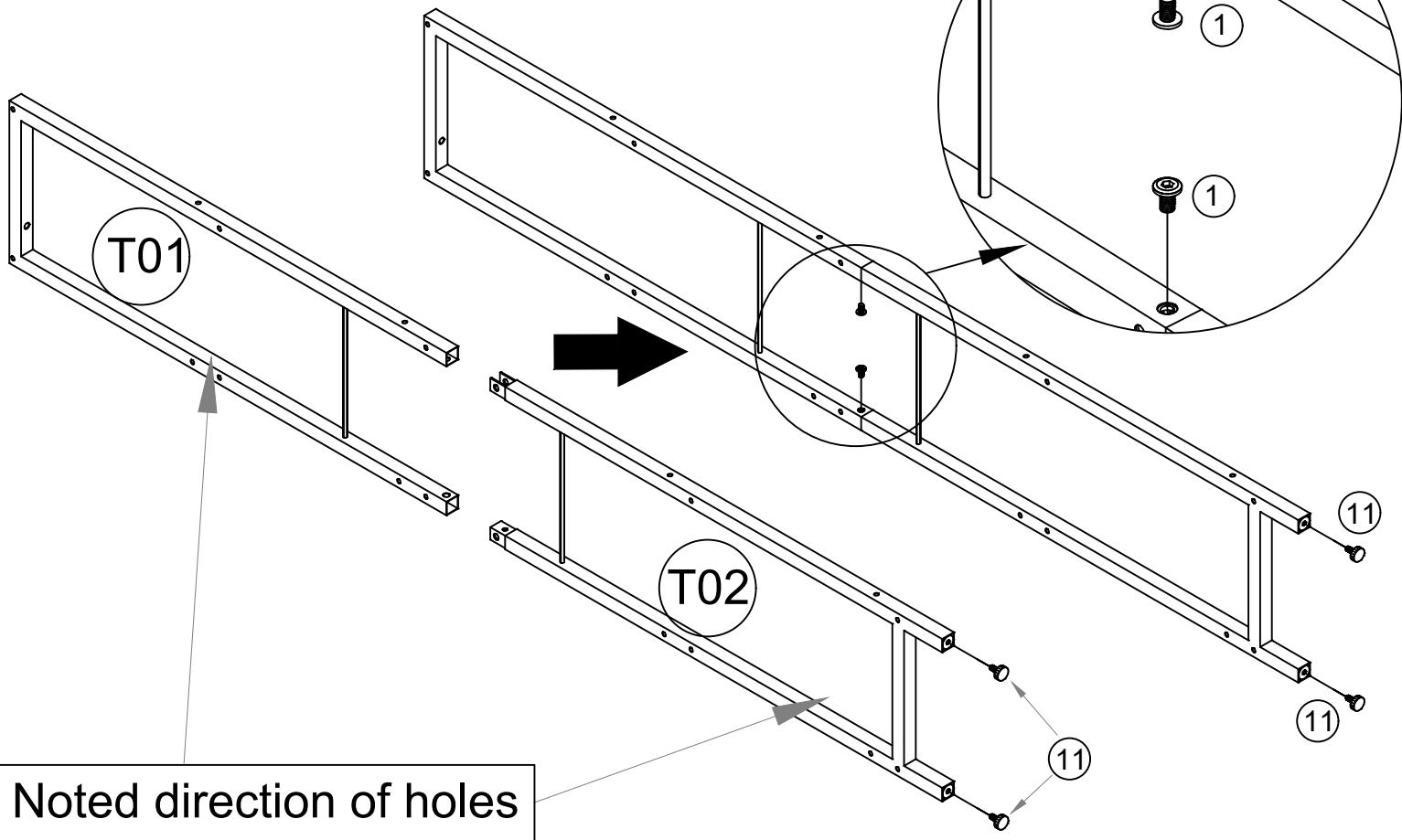
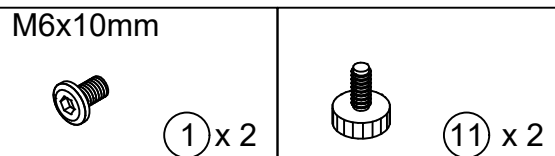
<p>Ⓐ x 1</p> 	<p>Ⓑ x 1</p> 	<p>Ⓒ x 4</p> 	<p>Ⓓ x 4</p> 
<p>Ⓔ x 4</p> 	<p>Ⓕ x 4</p> 	<p>Ⓙ x 1</p> 	<p>Ⓚ x 1</p> 
<p>Ⓛ x 2</p> 	<p>Ⓜ x 2</p> 	<p>Ⓝ x 2</p> 	
<p>① x 29</p>  <p>M6x10mm</p>	<p>② x 16</p>  <p>D5x40mm</p>	<p>③ x 46</p>  <p>D5x50mm</p>	<p>④ x 5</p> 
<p>⑤ x 10</p>  <p>6x30mm</p>	<p>⑥ x 1</p>  <p>M6x15mm</p>	<p>⑦ x 1</p>  <p>6x15mm</p>	<p>⑧ x 1</p>  <p>#4</p>
<p>⑨ x 1</p>  <p>#3</p>	<p>⑩ x 2</p> 	<p>⑪ x 6</p> 	

PRODUCT ASSEMBLY

1

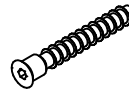



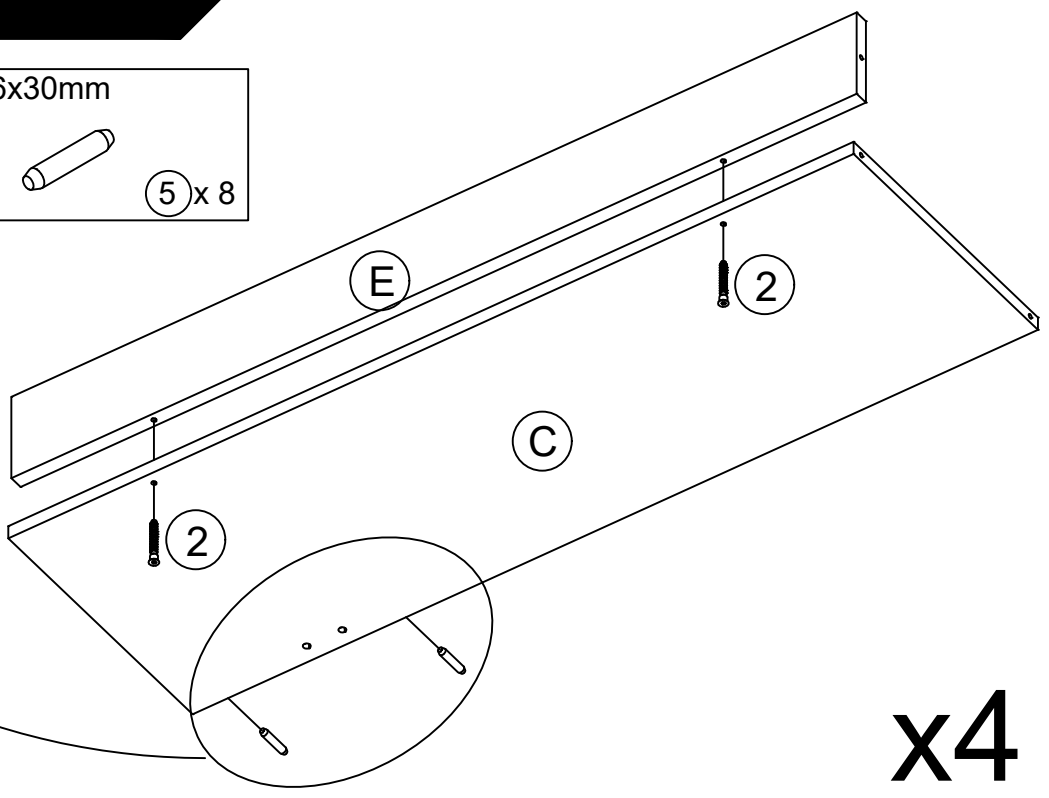
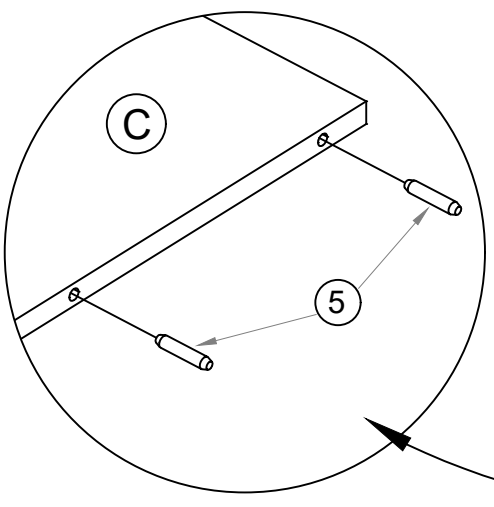
2



PRODUCT ASSEMBLY

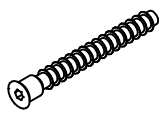

3

D5x40mm 6x30mm
 
(2) x 8 (5) x 8

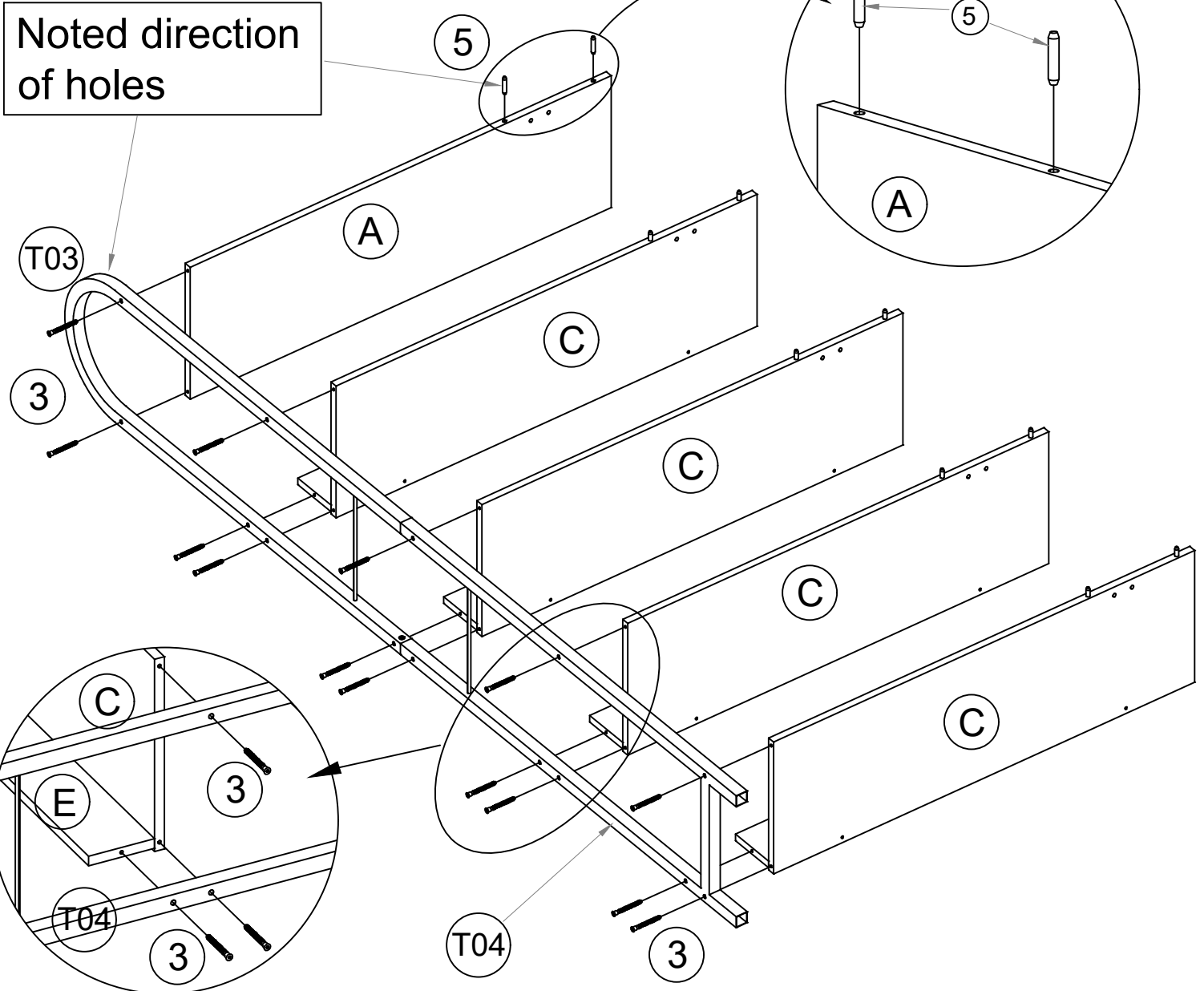


x4

4

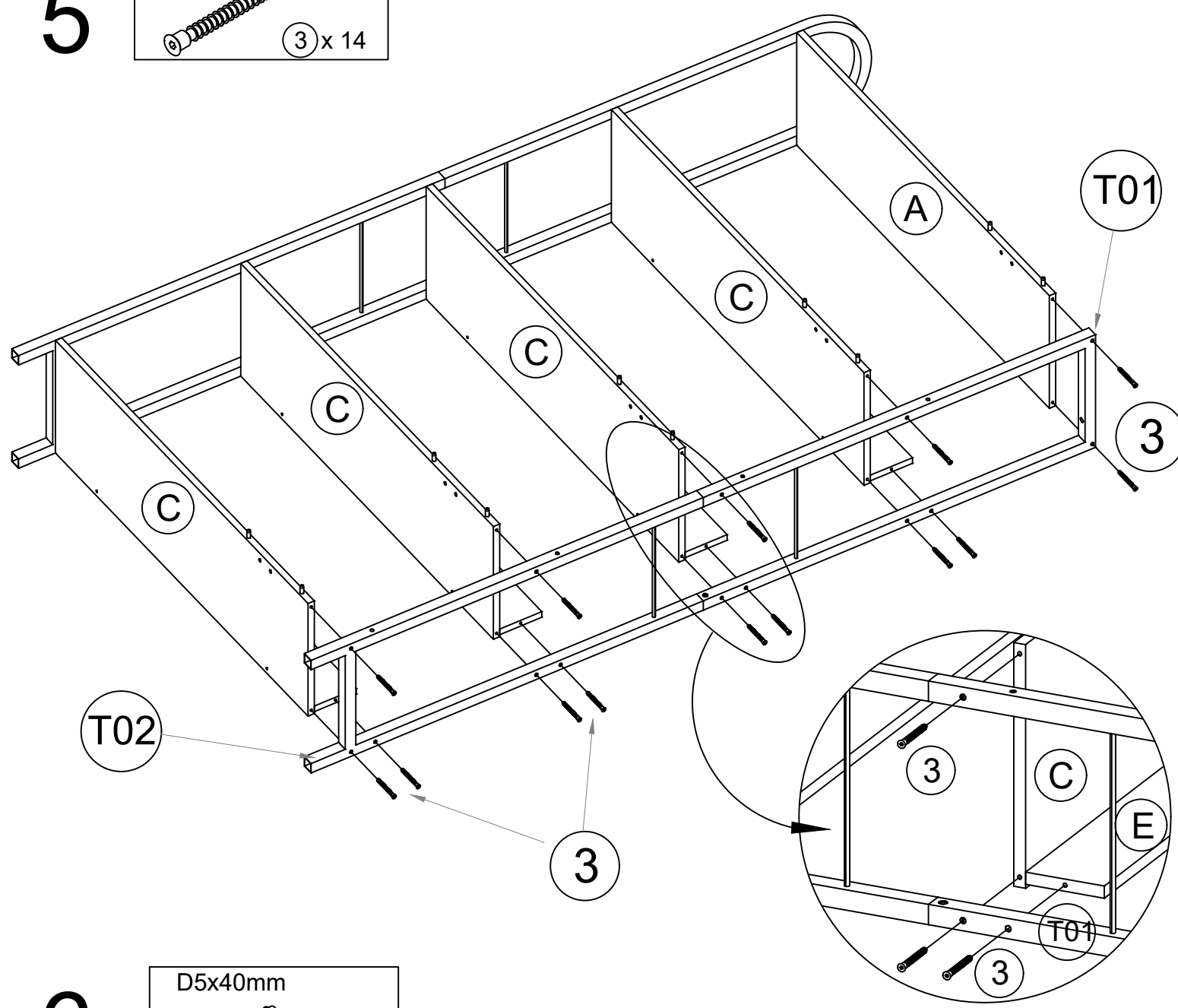
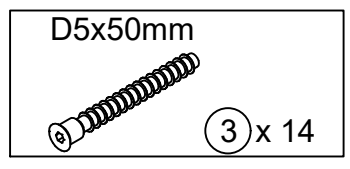
D5x50mm 6x30mm
 
(3) x 14 (5) x 2

Noted direction
of holes

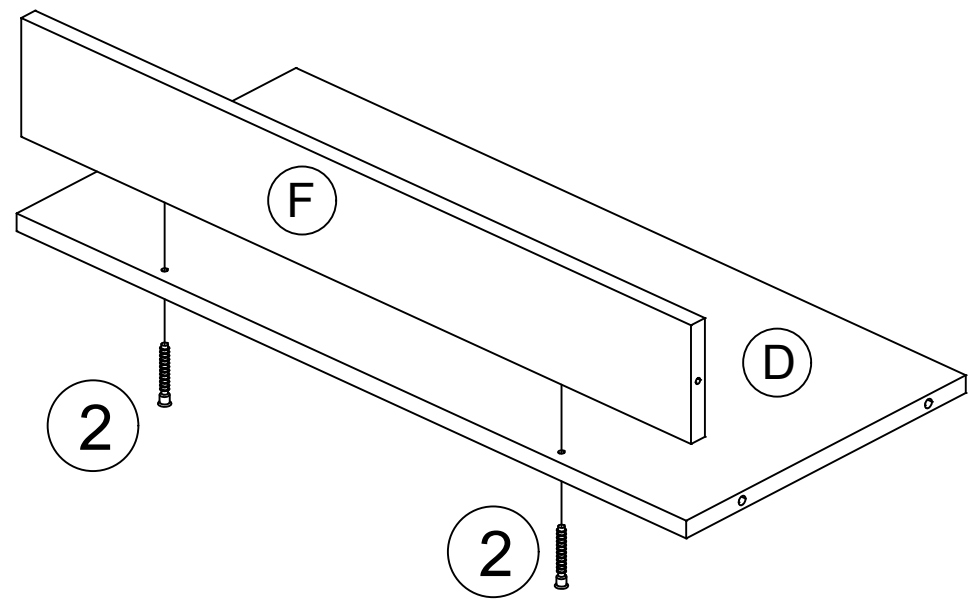
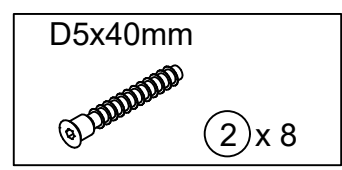


PRODUCT ASSEMBLY

5



6



x4

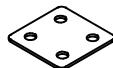
7

M6x10mm

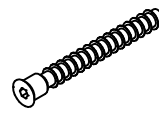
D5x50mm



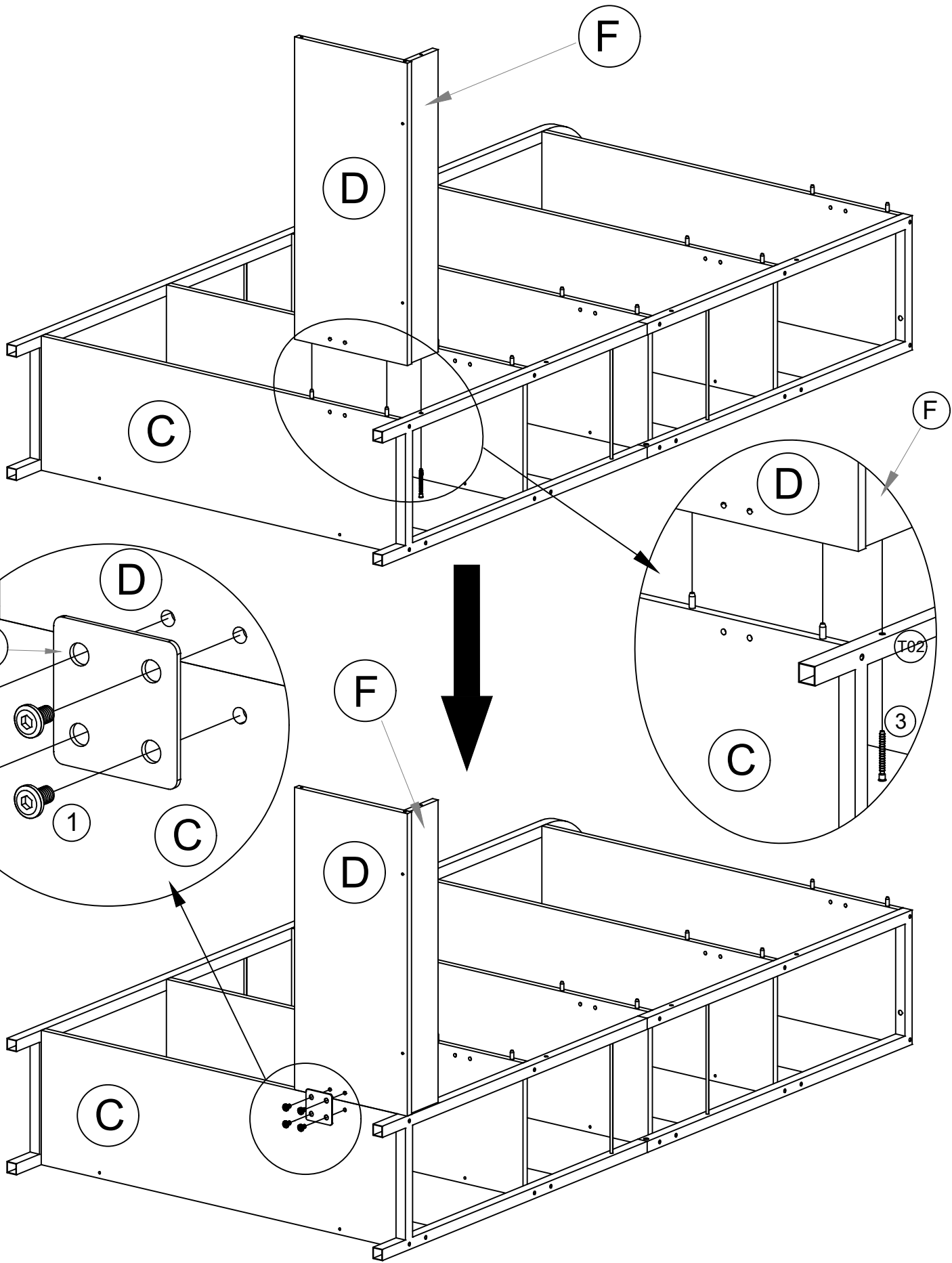
1 x 4



4 x 1



3 x 1

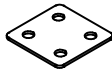


8

M6x10mm

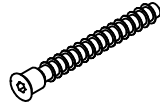


1 x 12

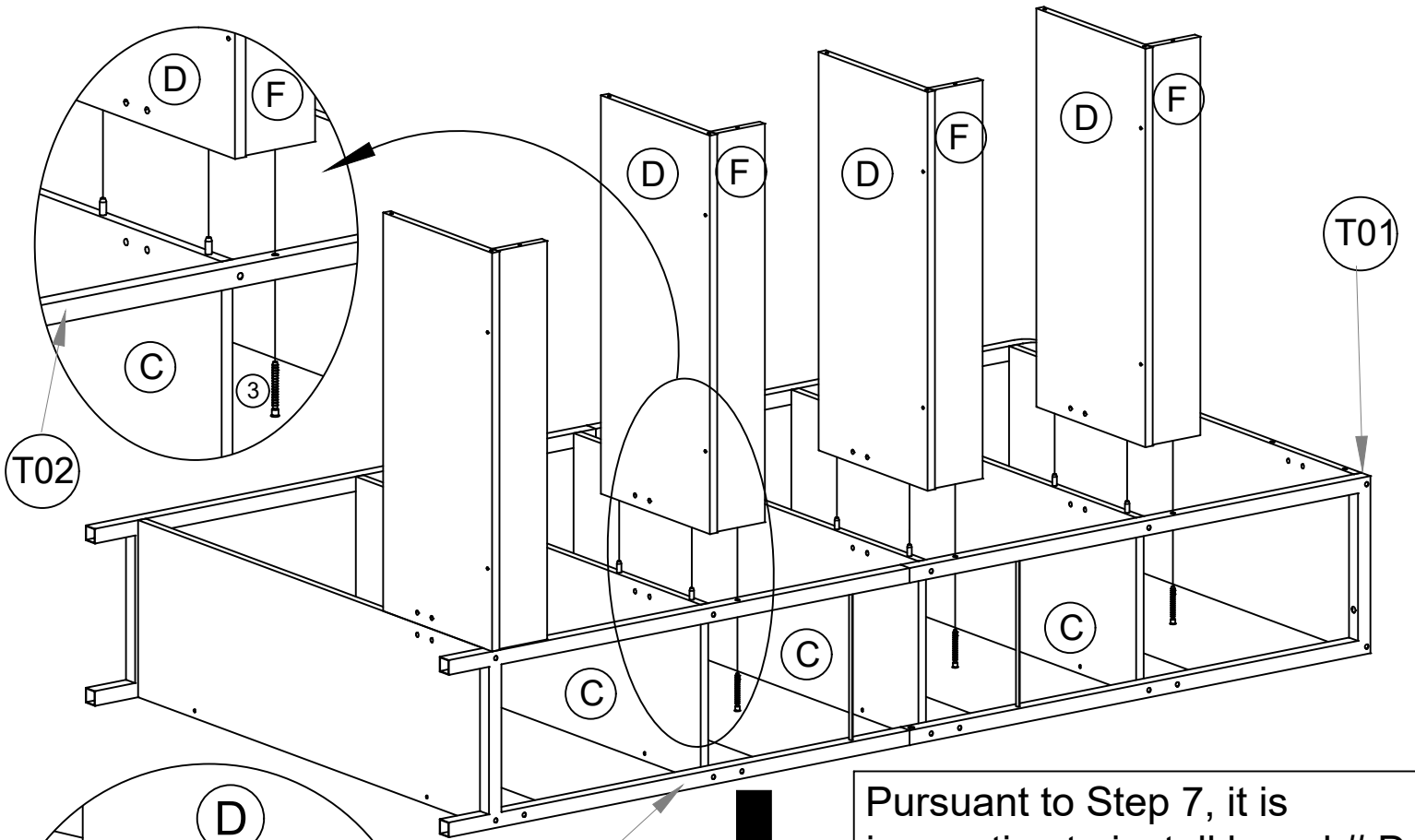


4 x 3

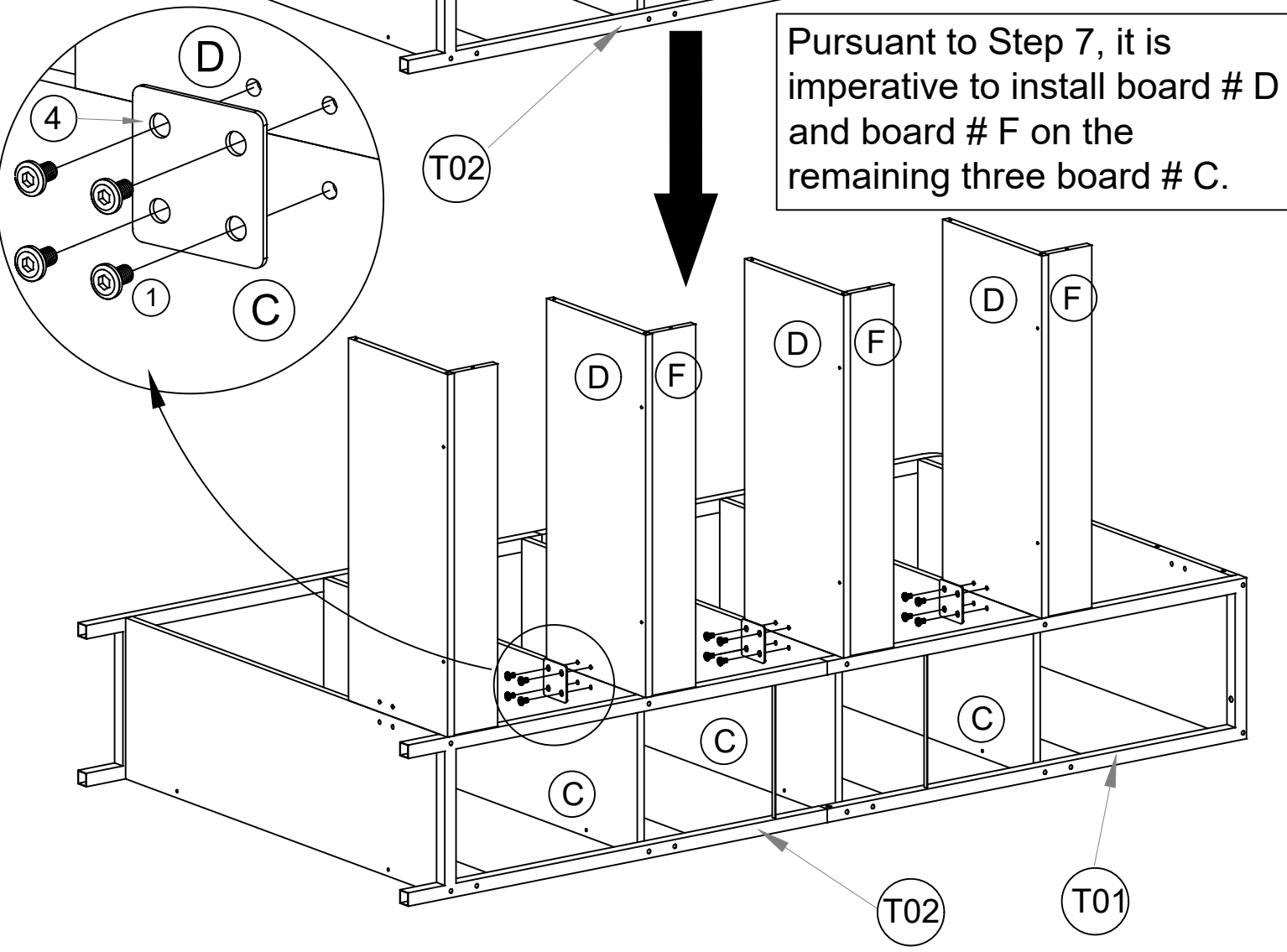
D5x50mm



3 x 3



Pursuant to Step 7, it is imperative to install board # D and board # F on the remaining three board # C.

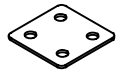


9

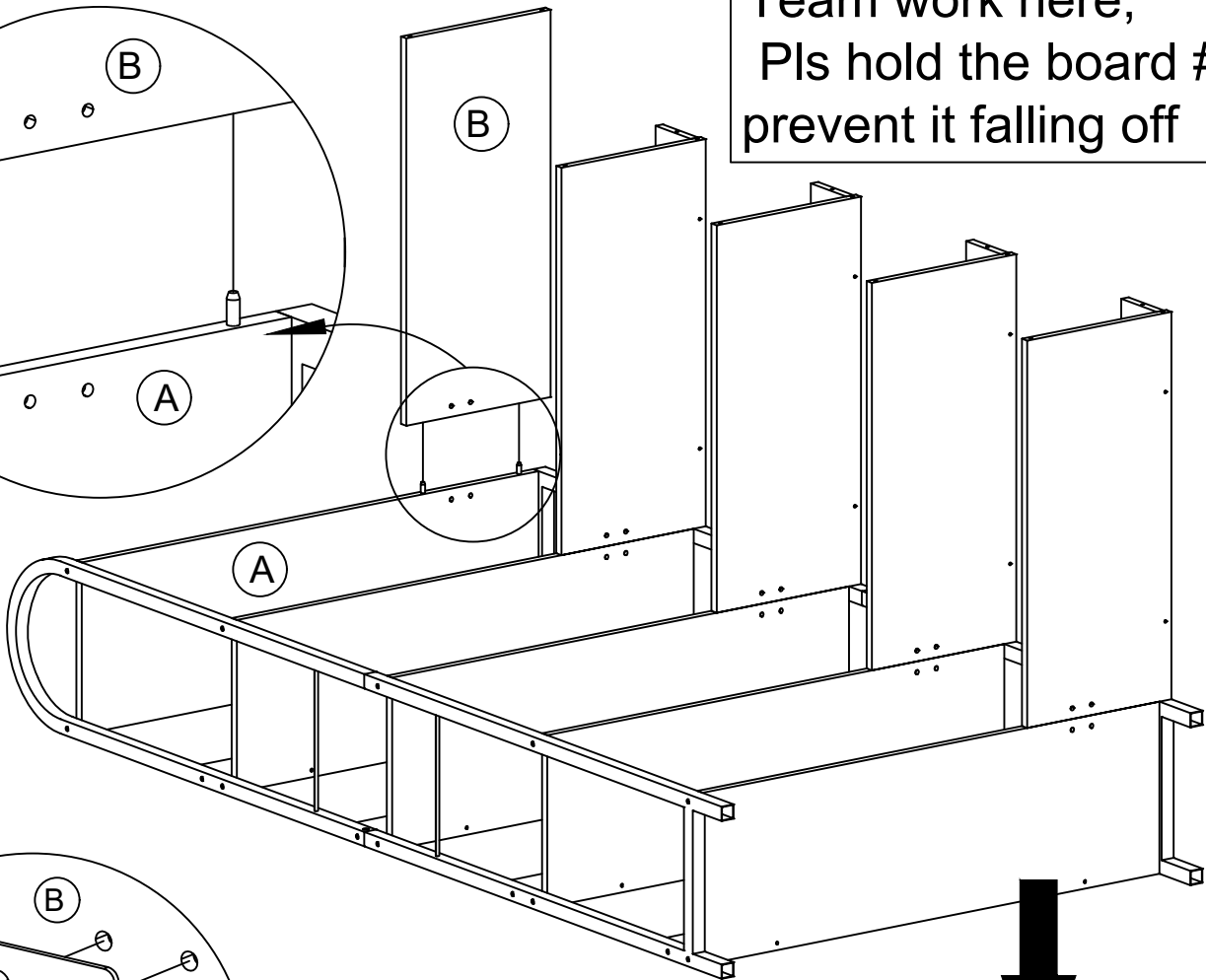
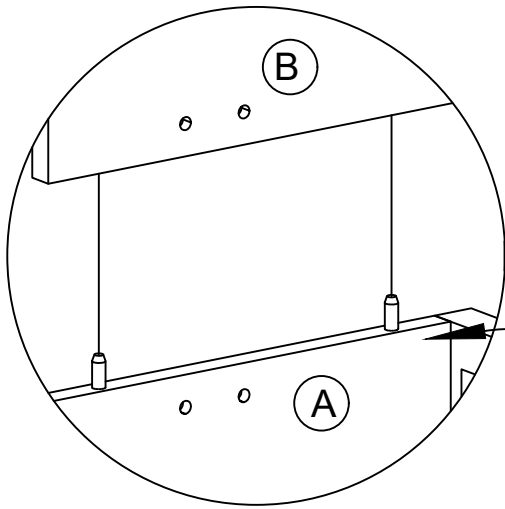
M6x10mm



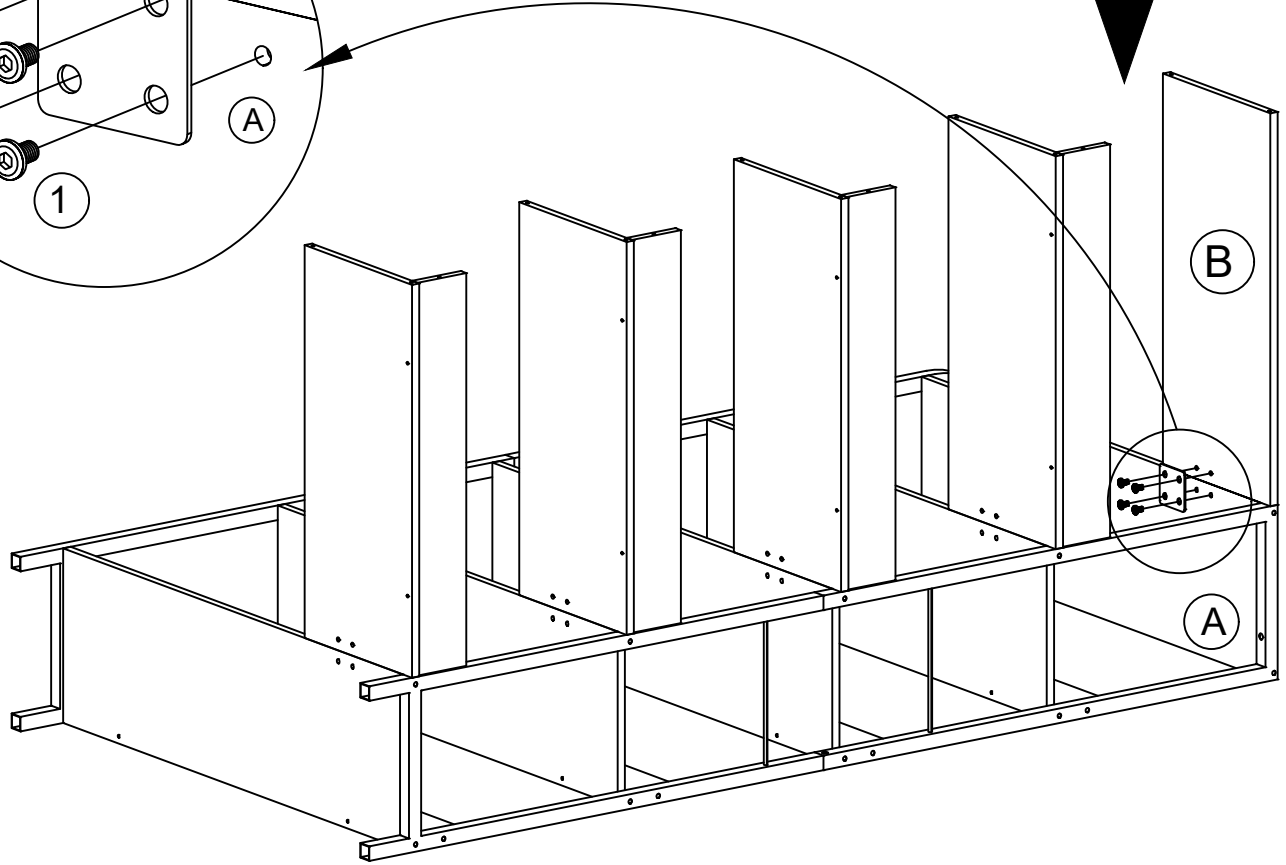
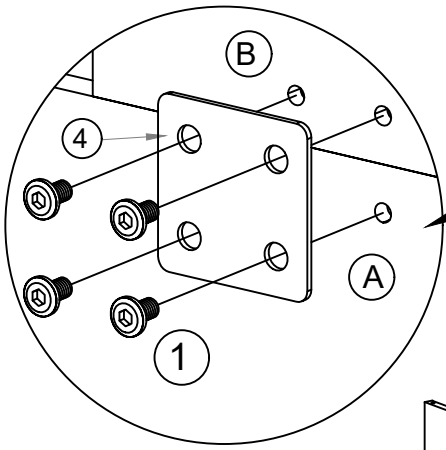
① x 4



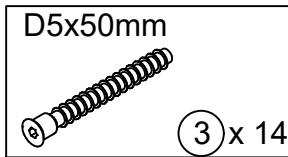
④ x 1



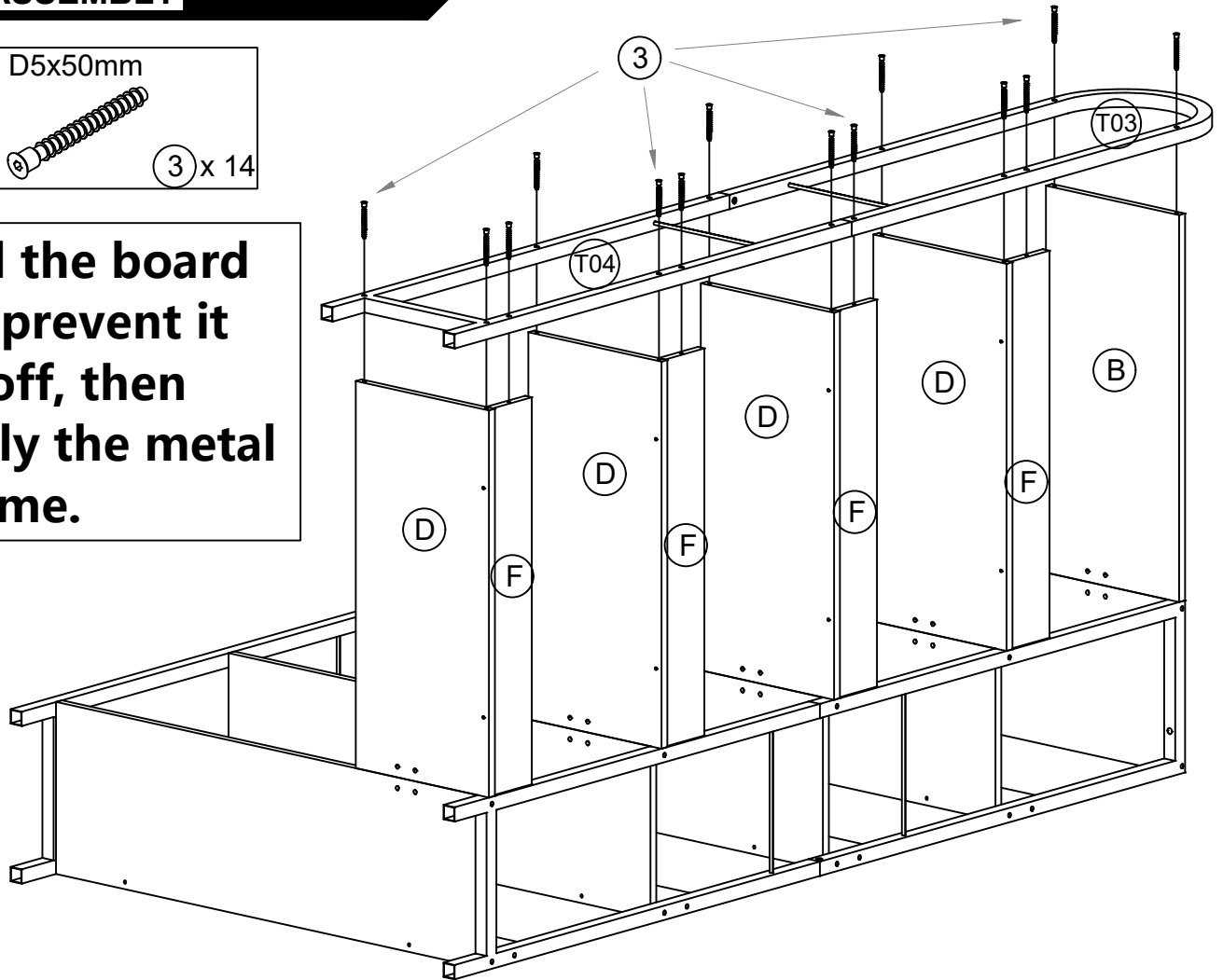
Team work here,
Pls hold the board #B and
prevent it falling off



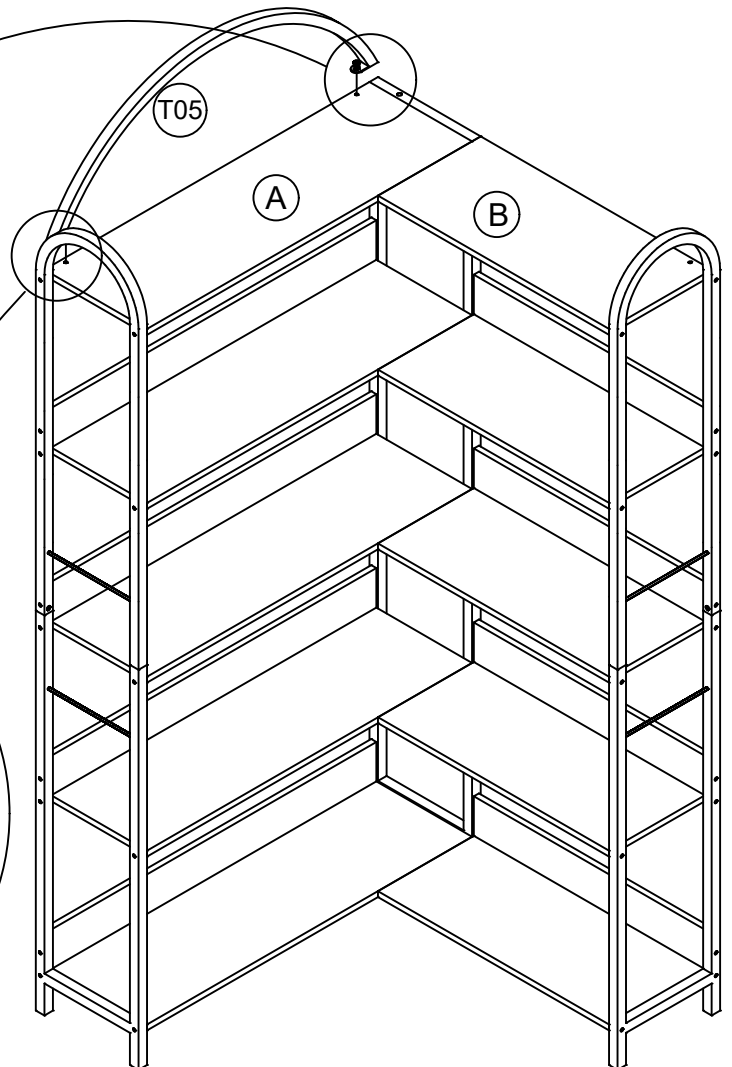
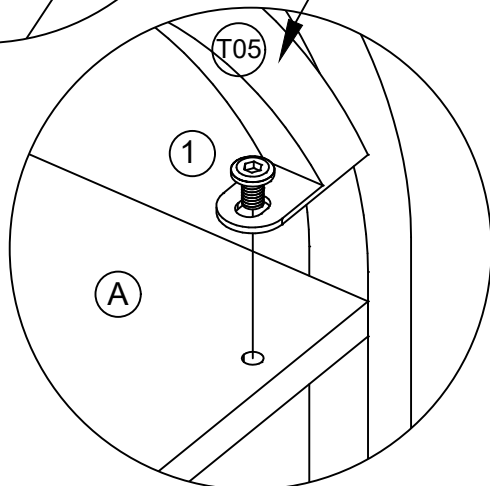
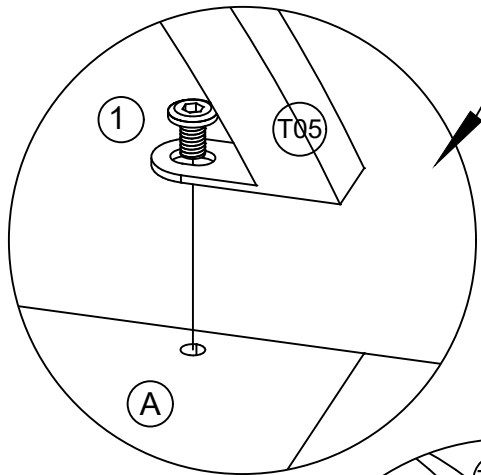
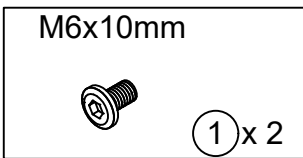
10






Pls hold the board #B and prevent it falling off, then assembly the metal side frame.

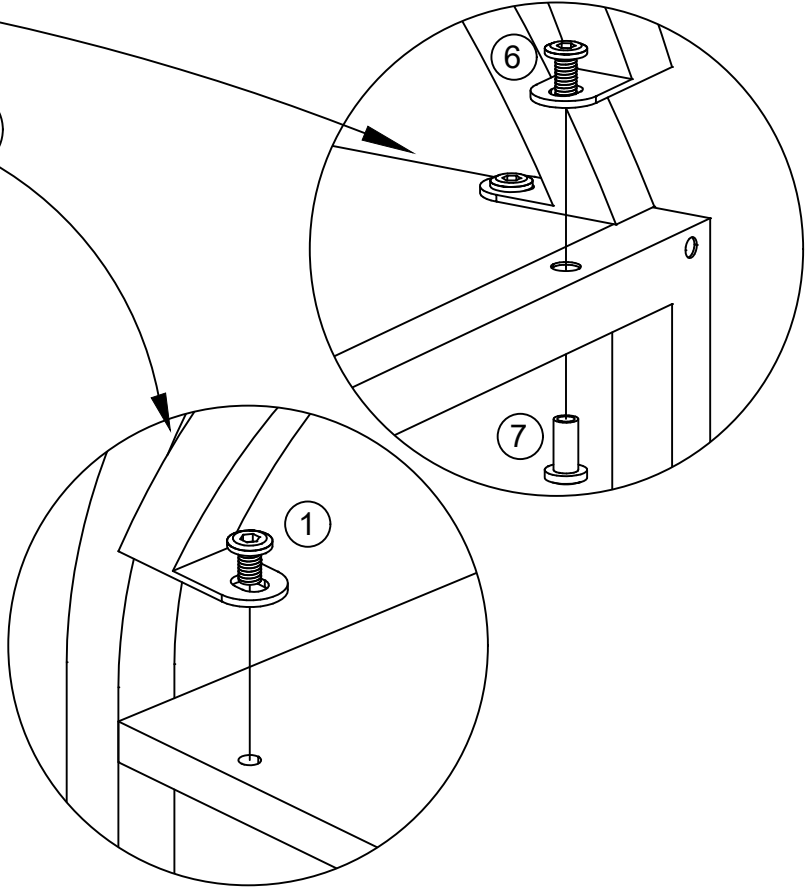
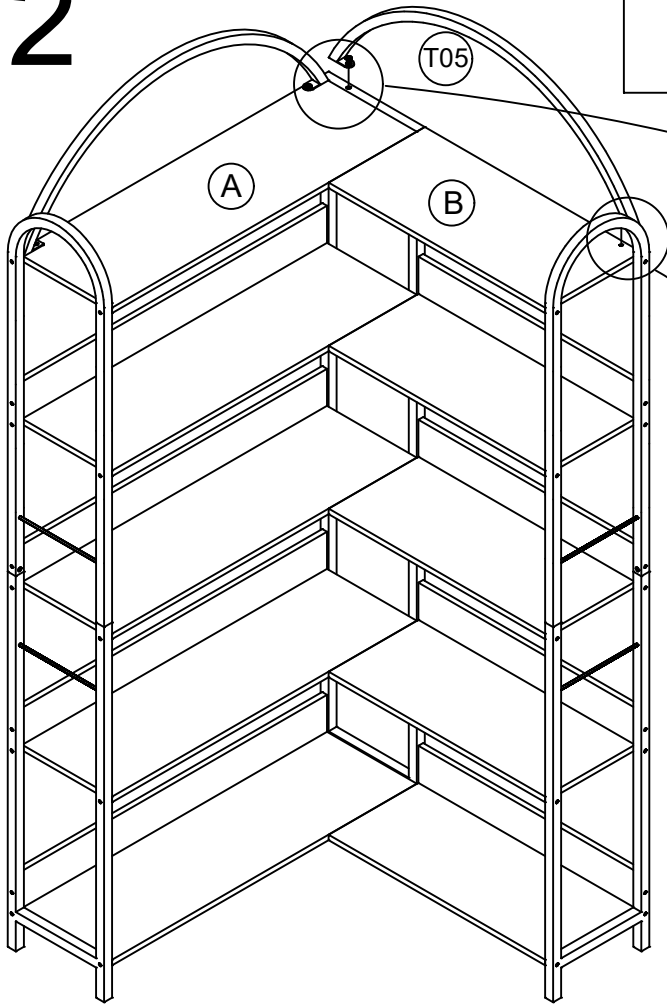


11

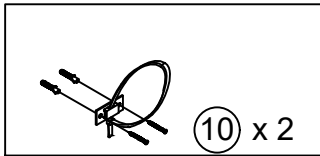


12

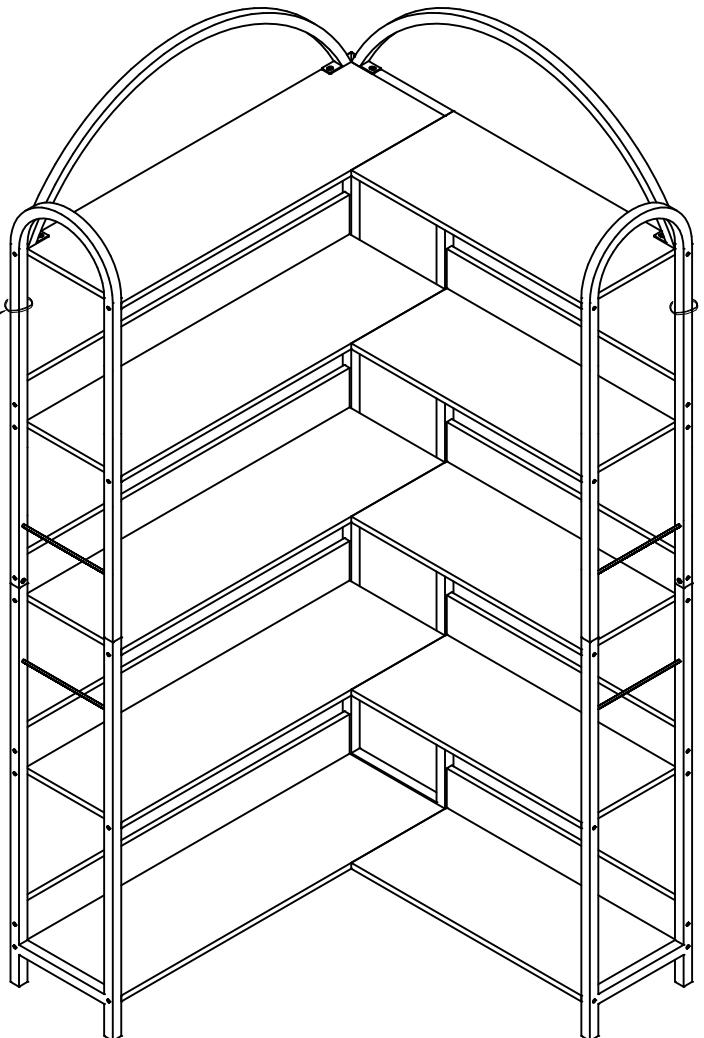
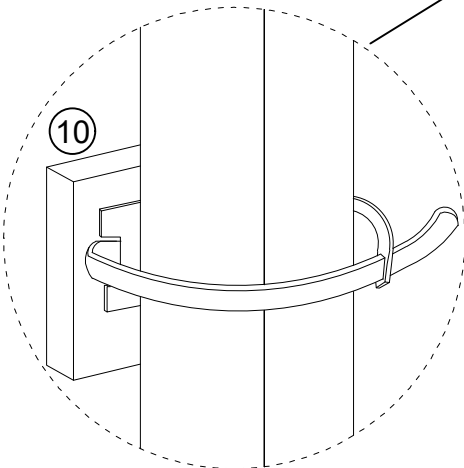
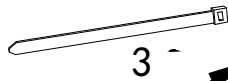
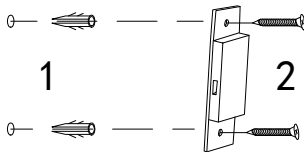
M6x10mm	M6x15mm	6x15mm
		
① x 1	⑥ x 1	⑦ x 1



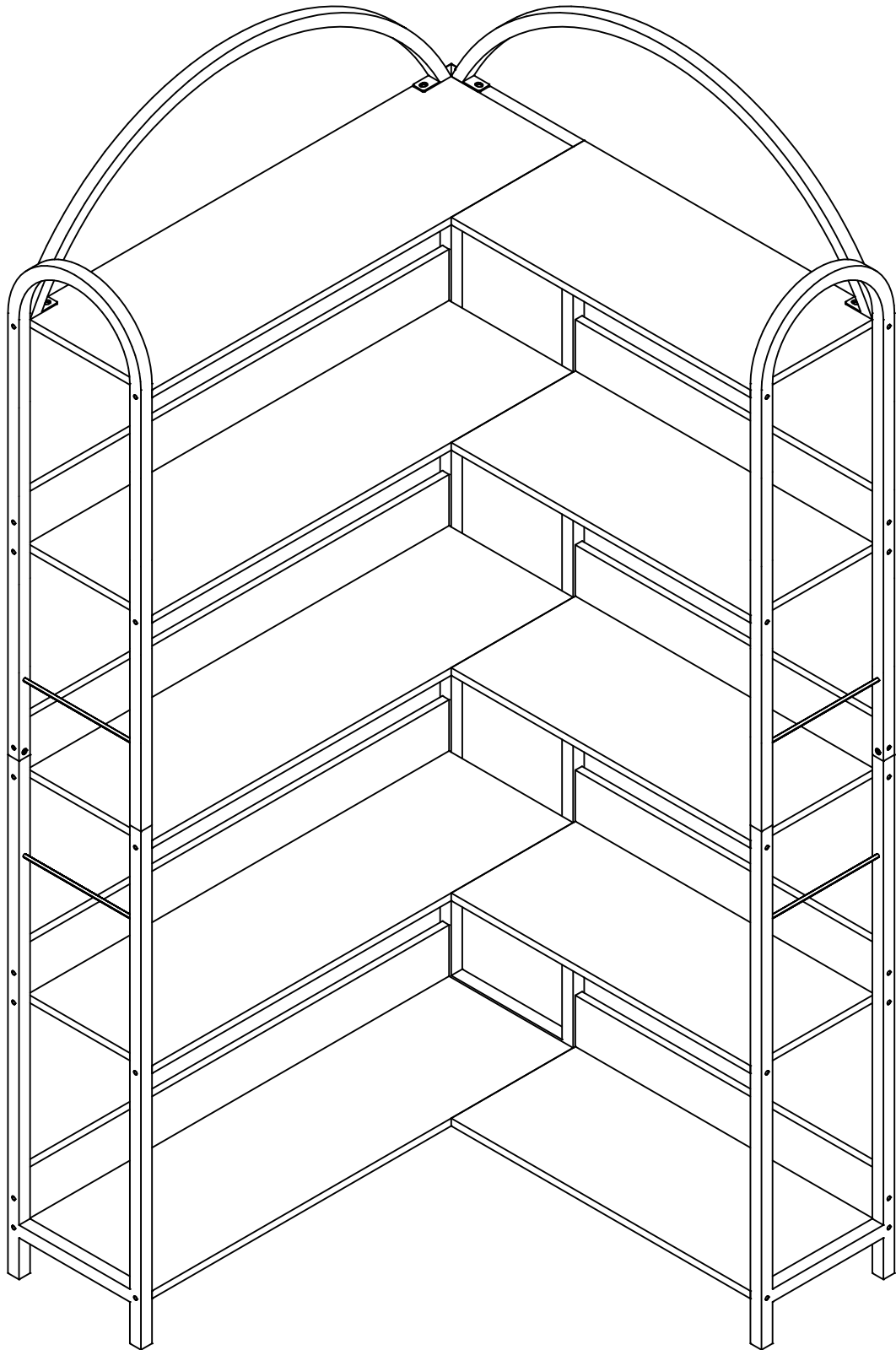
13



WALL



14 Finished assembly



Dear customer, thank you for purchasing Idealhouse products! We are proud to present our customers with high quality products!



If you have any product quality or use problems, please contact our customer service by email, we will ensure your satisfaction.



If you are satisfied with our products, please share your amazing experience with us and other customers! It would be our honor to hear from you!