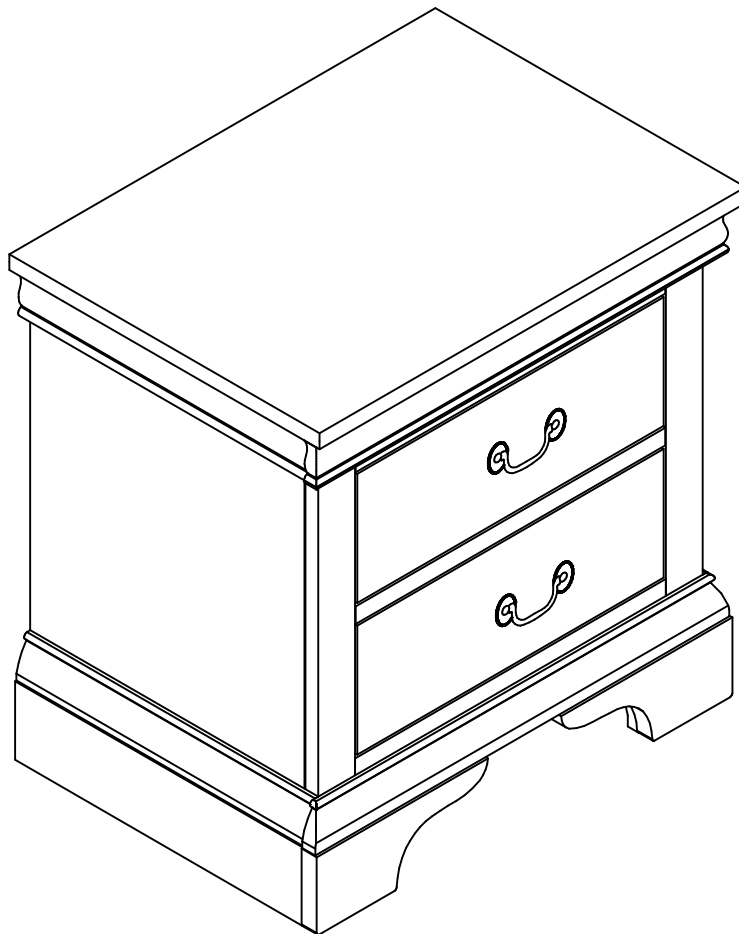


# ASSEMBLY INSTRUCTION

MODEL:#SPH00059  
#SPH00060  
#SPH00061

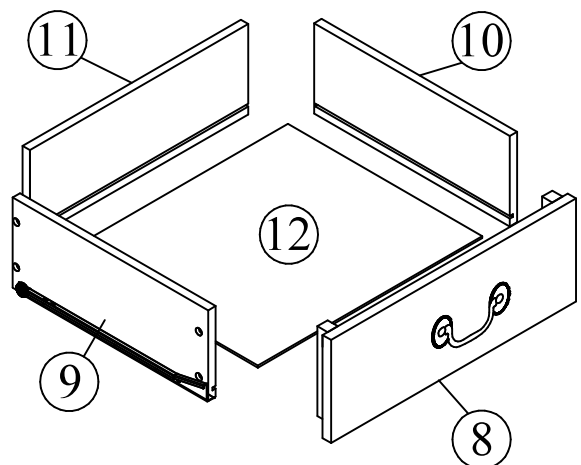
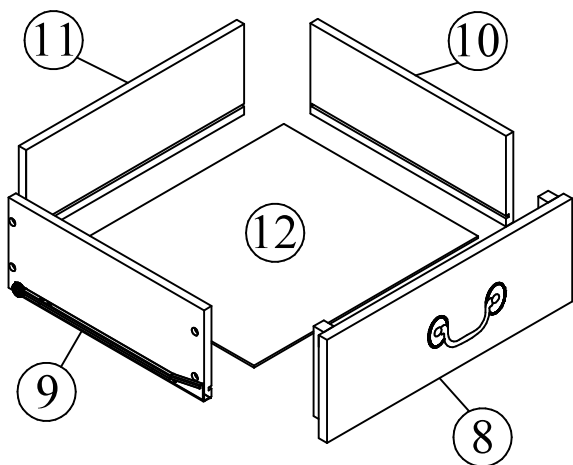
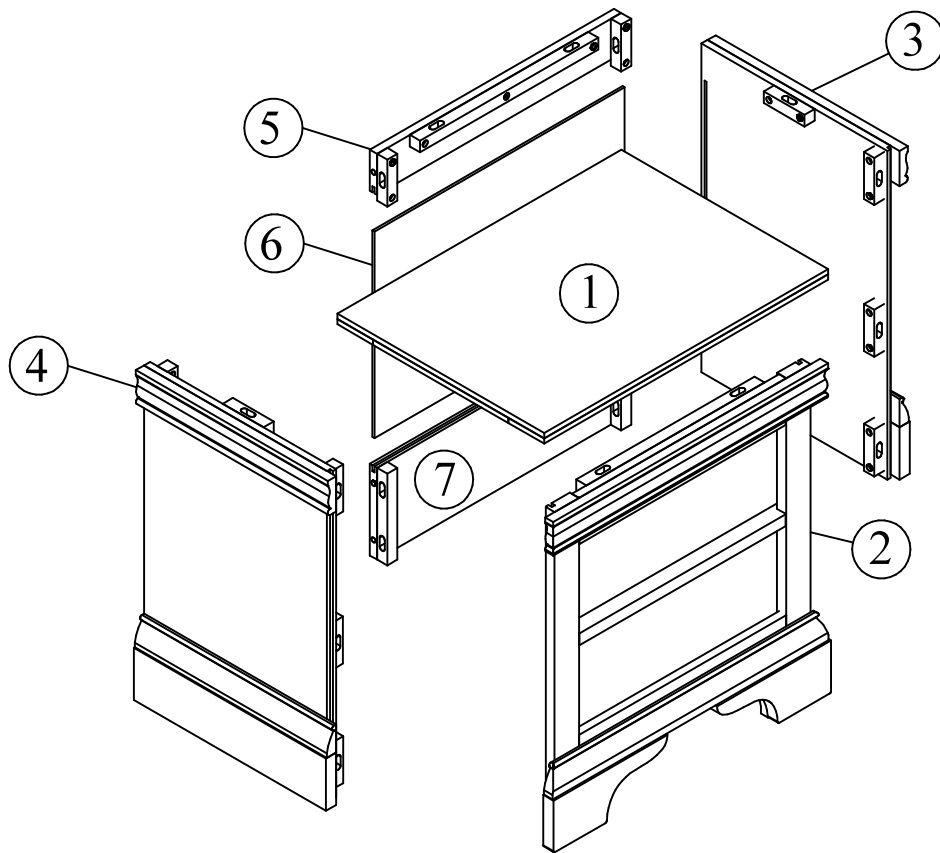
**\*\*\*Do not fully tighten screws until fully assembled\*\*\***








## Attention:

\*\*\*Some number parts listed on the instruction sheet may not be in a parts bag as they may already be assembled. Carefully check parts and packing materials prior to ordering replacements.

# COMPONENT PARTS

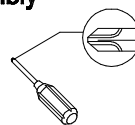


## Hardware List

A		Ø1/4"*35mm	Bolt	18 pcs
B		Ø1/4"	Flat washer	18 pcs
C		Ø1/4"	Spring washer	18 pcs
D		M4	Allen key	1 pc
E		Ø8*20mm	Screws	16 pcs





Philips head screwdriver required for assembly

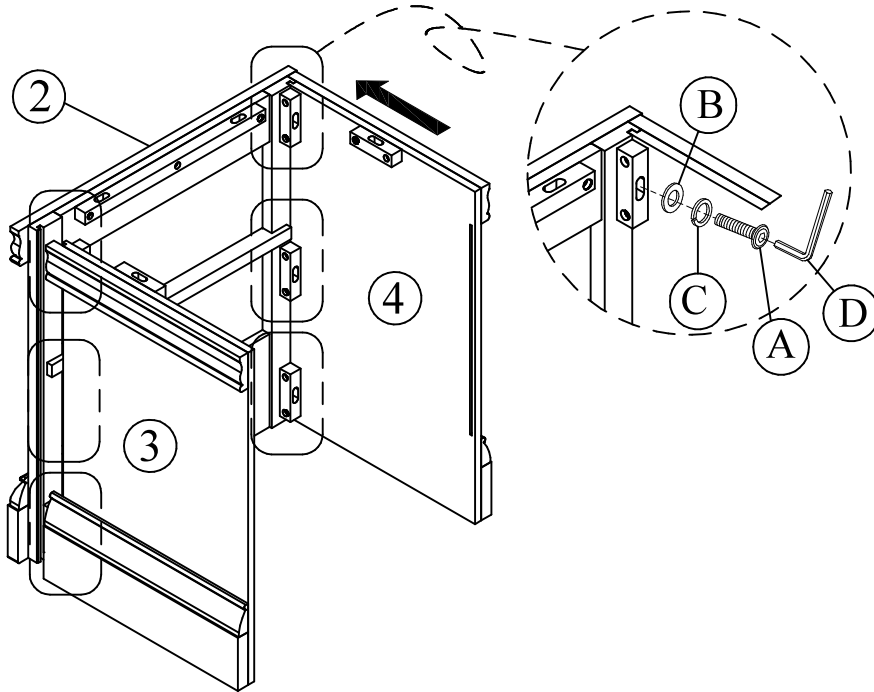
(not included)







*The hardware quantities listed above are required for proper assembly.  
Some extra hardware may also have been included.*

# STEP 1

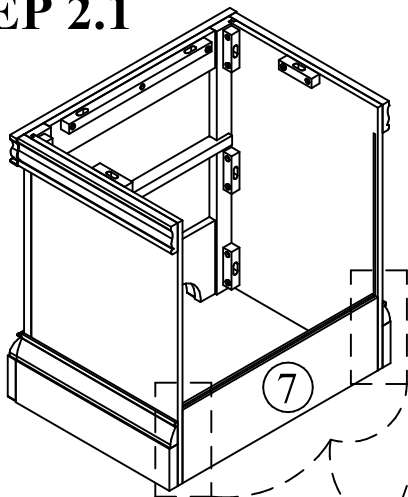
A*6	B*6	C*6	D*1
			



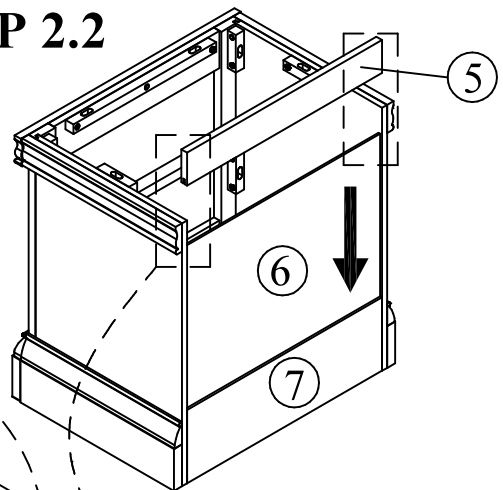
# STEP 2

A*6	B*6	C*6	D*1
			


## STEP 2.1





## STEP 2.2




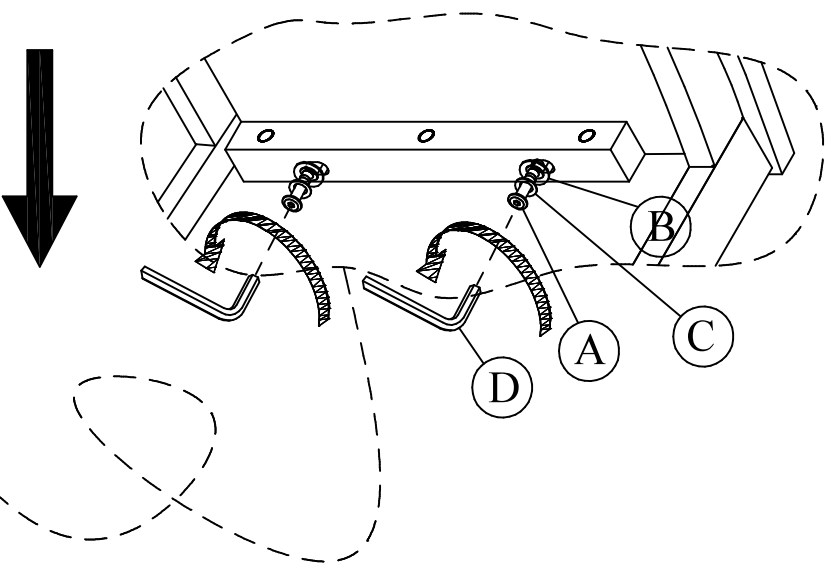
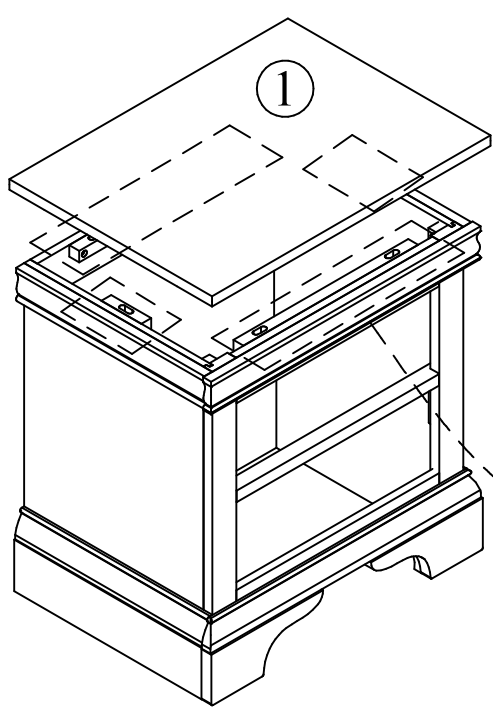
# STEP 3

A*6


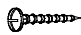
B*6


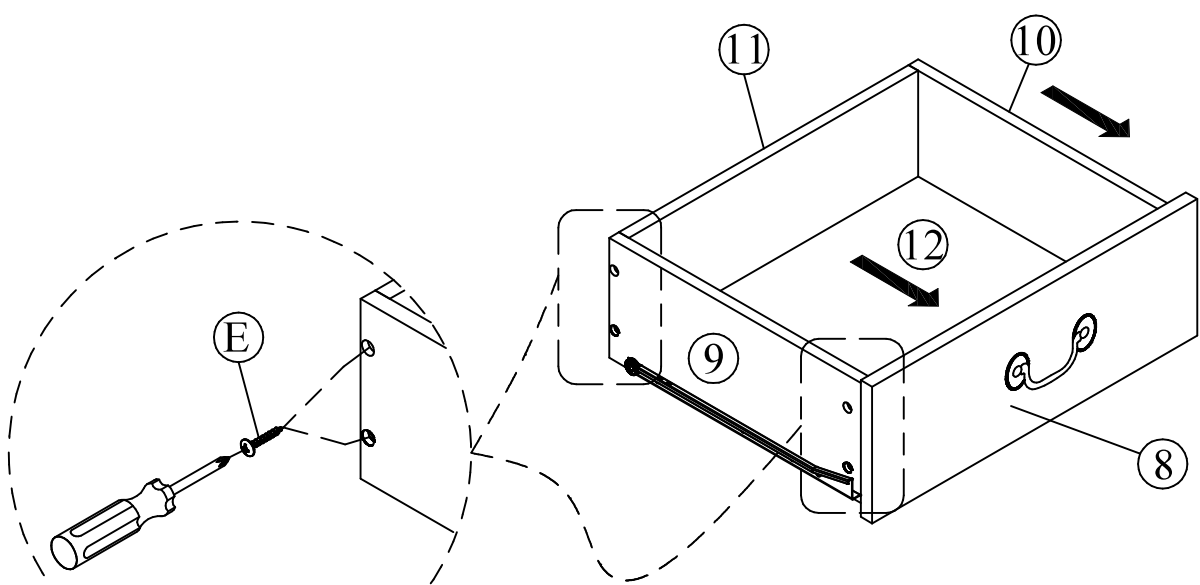
C*6


D*1




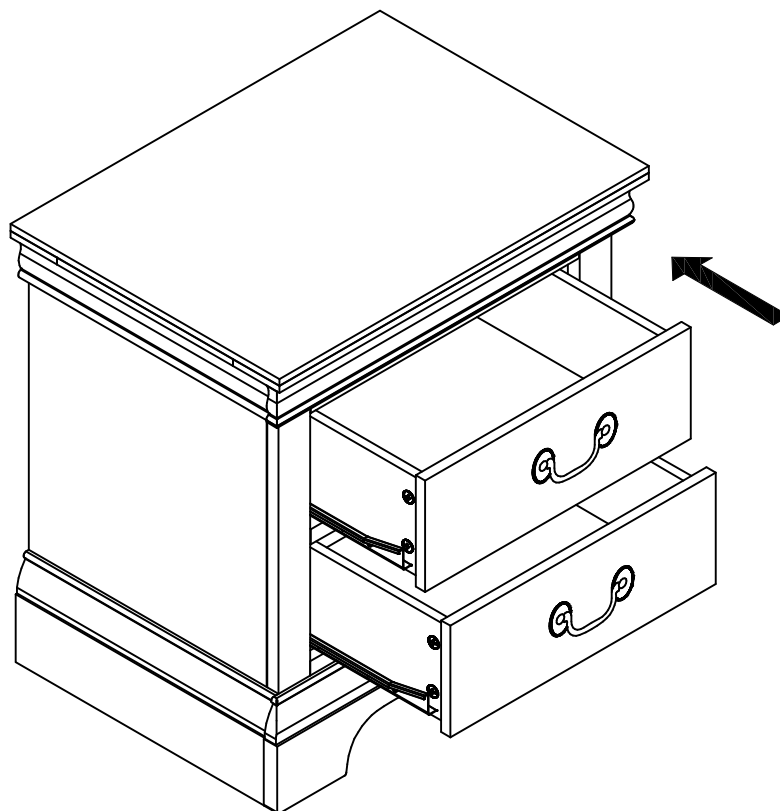
# STEP 4

E*16


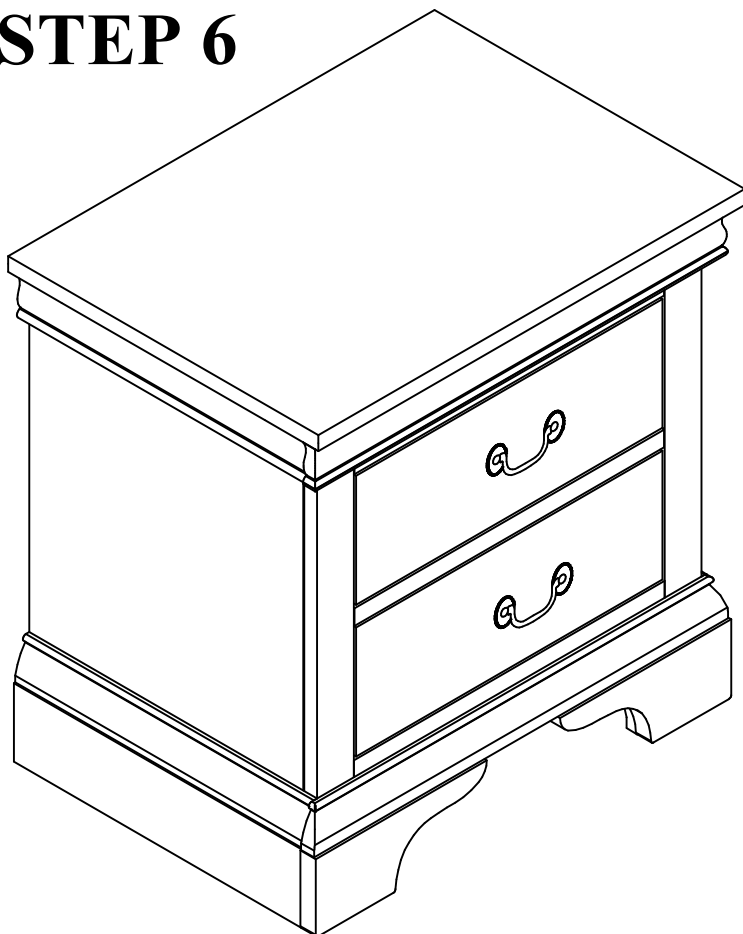


**X2**

## STEP 5



## STEP 6



**Final Assembly**