





IMPORTANT INFORMATION

Seller and Manufacturer disclaim all and any liability for property damage, personal injury, or loss, direct, indirect, or incidental, resulting from the incorrect assembly, inadequate maintenance, improper use, or neglect of this product.



NOTICE

- Keep these assembly instructions for future reference.
- Do not use this product if there are missing, damaged, or broken parts until repairs are made and/or factory replacement parts are installed.
- Check all packing material carefully for small hardware that may have become loose inside the carton during shipment.
- Identify and count all hardware and parts to compare with parts and hardware list.
- Follow assembly instructions closely. Improper assembly can result in personal or property damage.
- Secure all bolts before use.
- Every 90 days check all bolts are secured.
- Some parts may have a sharp corner or edge and maybe heavy.
- Do not use or store this product near open flames or around flammable chemicals.
- When placing contents on non-carpeted flooring, it's recommended to use floor protection such as an area rug or furniture pads. These are not included with the purchase.

REPLACEMENT PART OR HARDWARE REQUEST:

Request a replacement by logging into the marketplace account in which the purchase was made and sending a message to the seller. To assist in expediting the request attach applicable images relevant to the request and/or part number and quantity.

TOOLS REQUIRED:

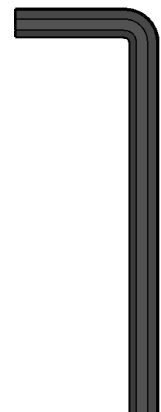
HEX WRENCH
(PROVIDED)



#2 Philips



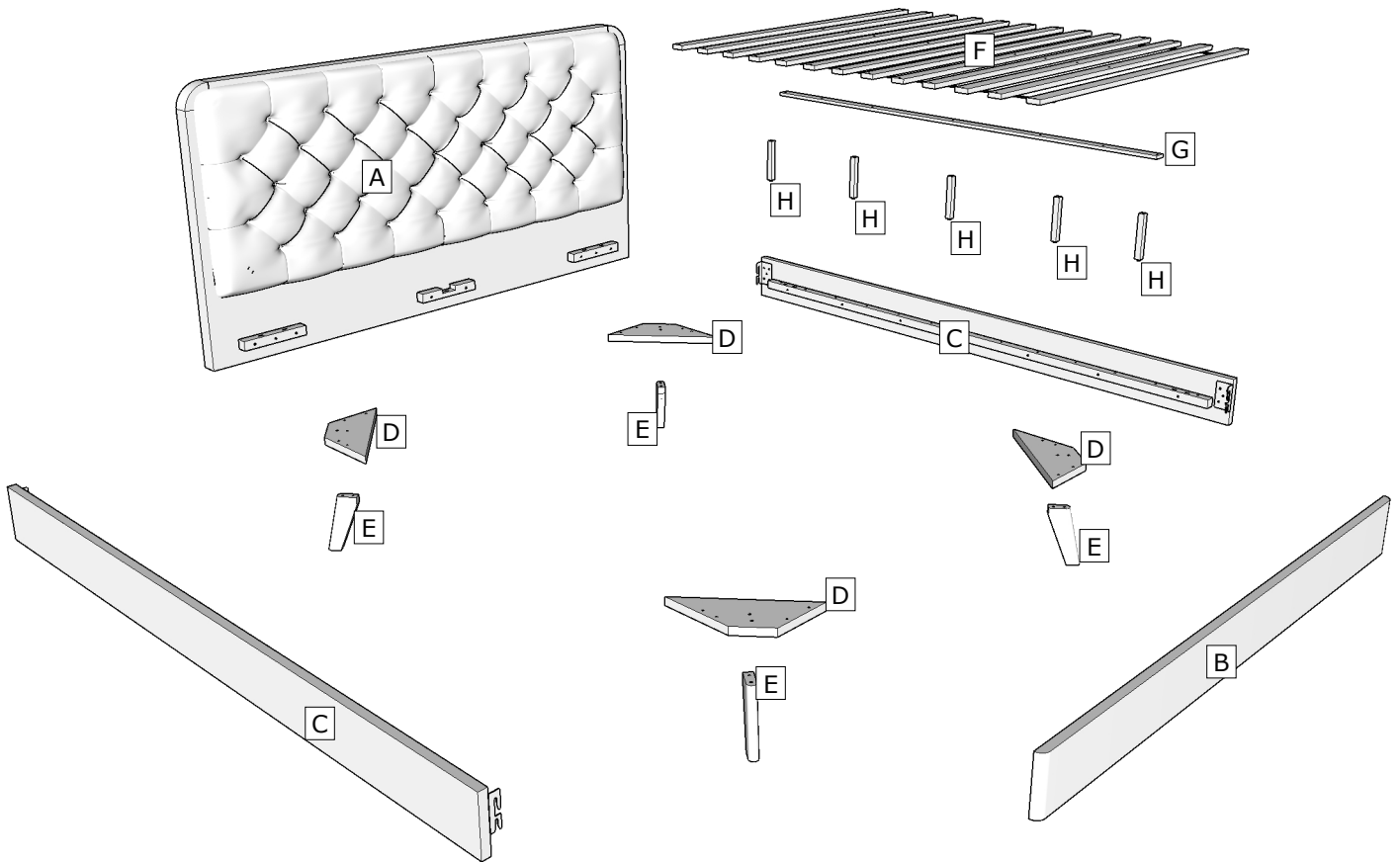
M4
Hex Wrench



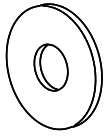
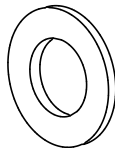
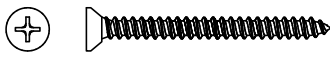
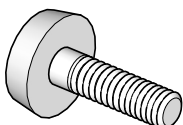
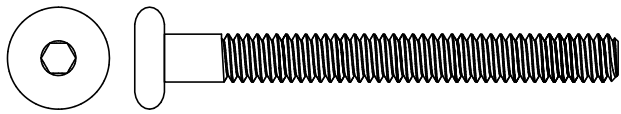
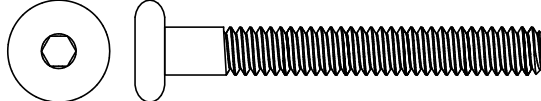
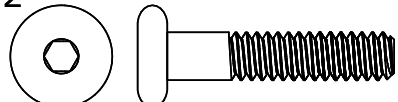
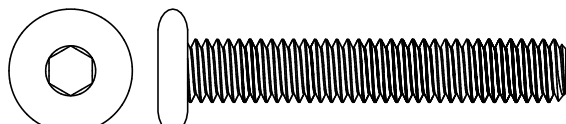
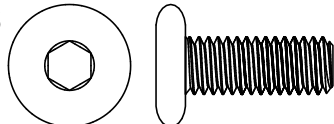
M5
Hex Wrench

BED PARTS

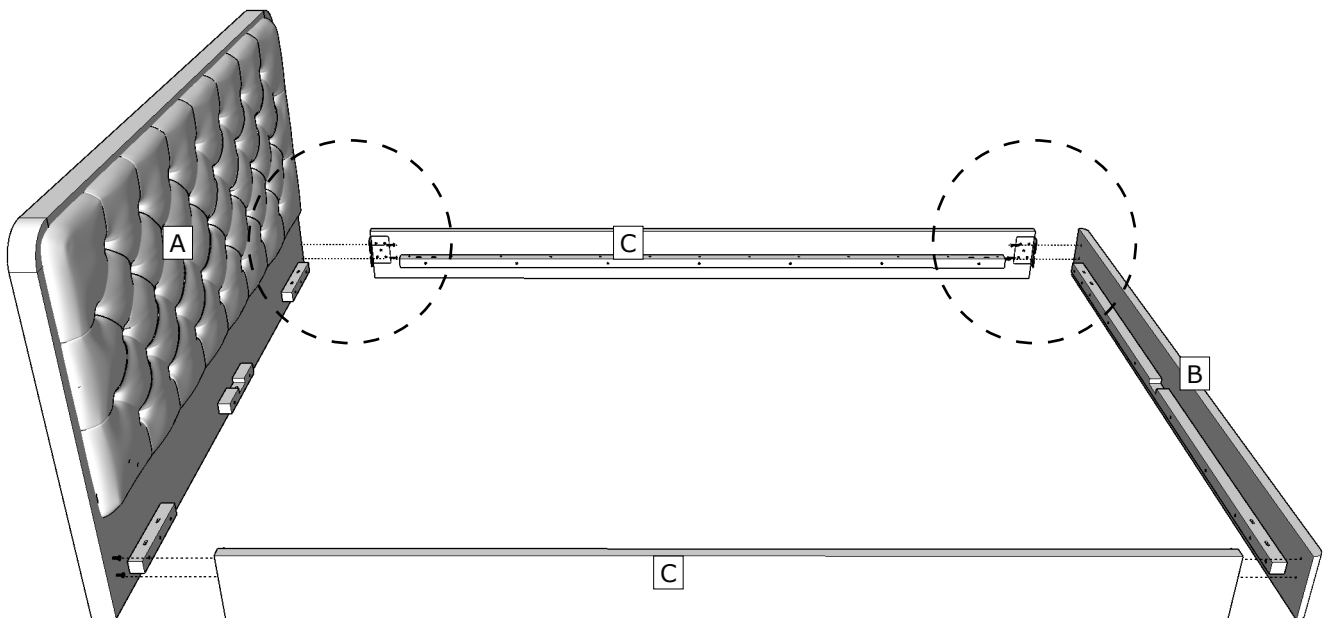
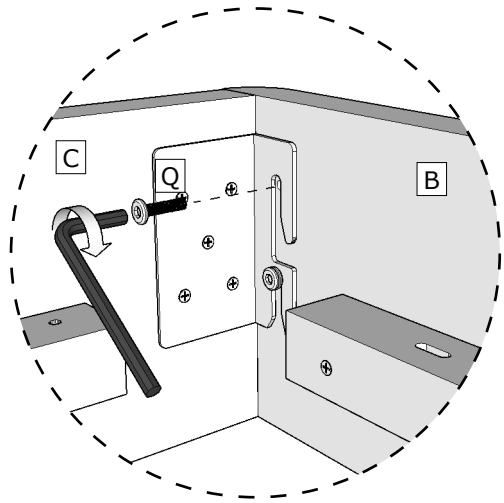
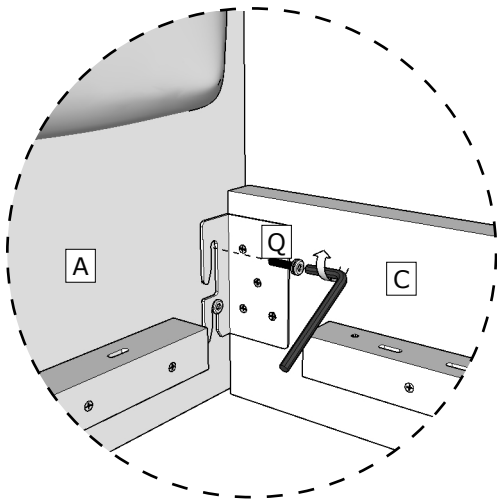
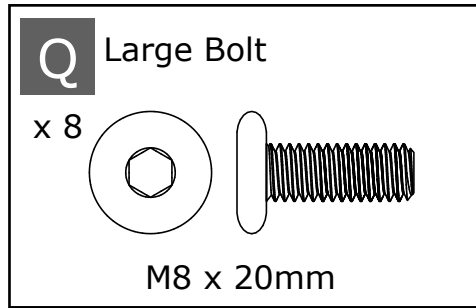
- A..... Headboard..... x 1
- B..... Footboard..... x 1
- C..... Side Rail..... x 2
- D..... Corner Block..... x 4
- E..... Foot..... x 4
- F..... Bed Slat..... x 13
- G..... Center Rail Slat..... x 1
- H..... Support Leg..... x 5



HARDWARE

<p>I Flat Washer x 16  M6</p>	<p>J Flat Washer - Big x 8  M8</p>	<p>K Wood Screw x 26  M4 x 32mm</p>
<p>L Adjustable Glide x 5 </p>	<p>M Small Bolt - Extra Long x 5  M6 x 60mm</p>	
<p>N Small Bolt - Long x 16  M6 x 50mm</p>	<p>O Small Bolt - Short x 2  M6 x 30mm</p>	
<p>P Large Bolt - Long x 8  M8 x 50mm</p>	<p>Q Large Bolt x 8  M8 x 20mm</p>	

BED ASSEMBLY STEP 1

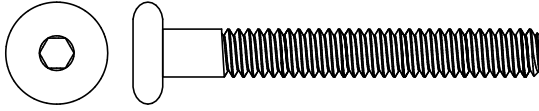


Attach Headboard **A** and Footboard **B** to Side Rail **C** using Large Bolt **Q**

BED ASSEMBLY STEP 2

N Small Bolt - Long

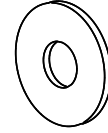
x 16



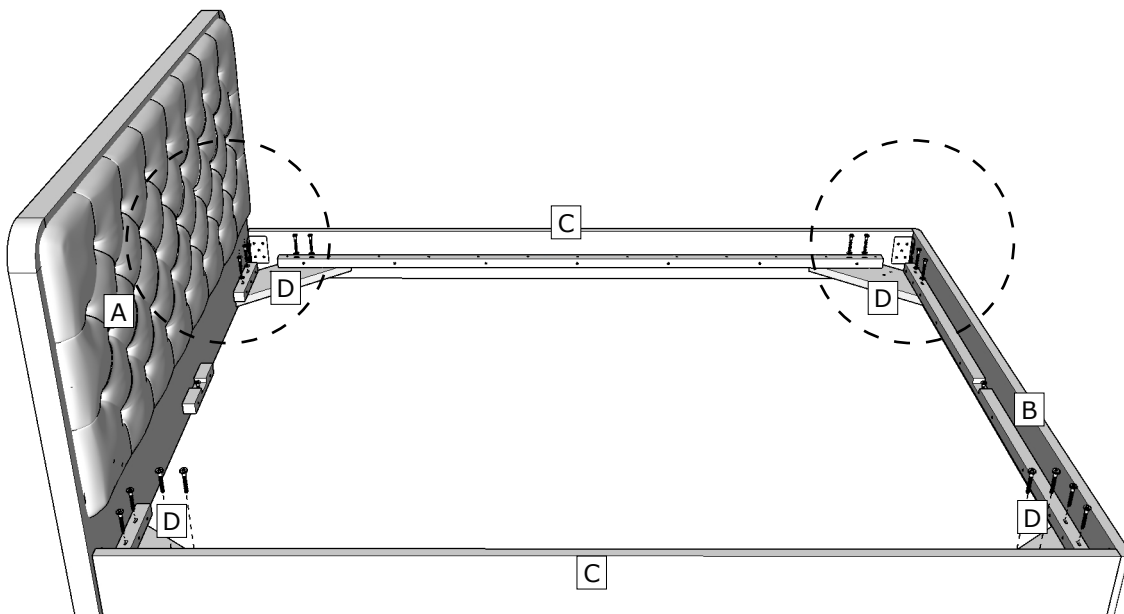
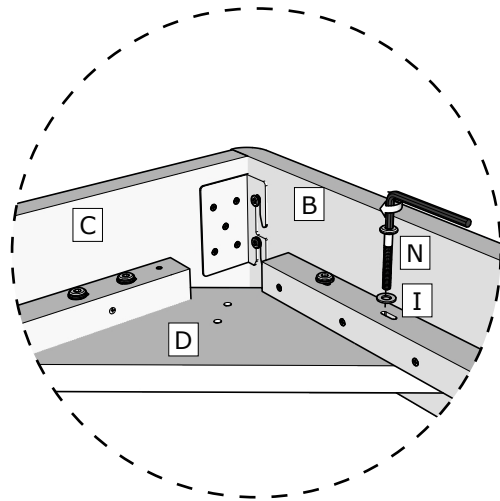
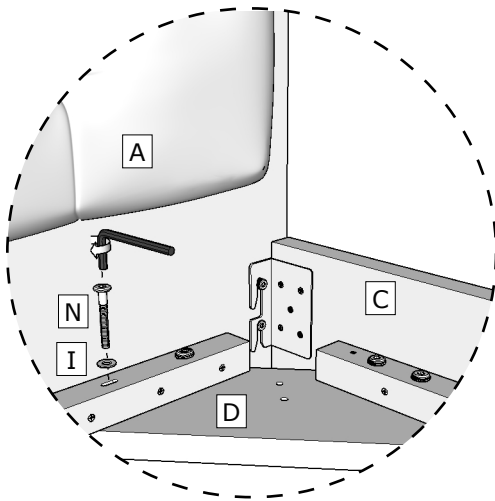
M6 x 50mm

I Flat washer

x 16



M6

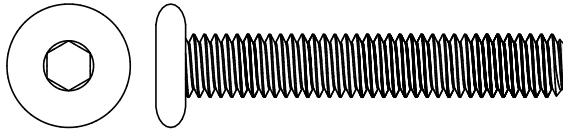


Attach Corner Block **D** to Bed Assembly by using Small Bolt - Long **N** and Flat Washer **I**

BED ASSEMBLY STEP 3

P Large Bolt - Long

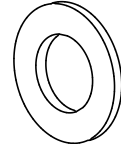
x 8



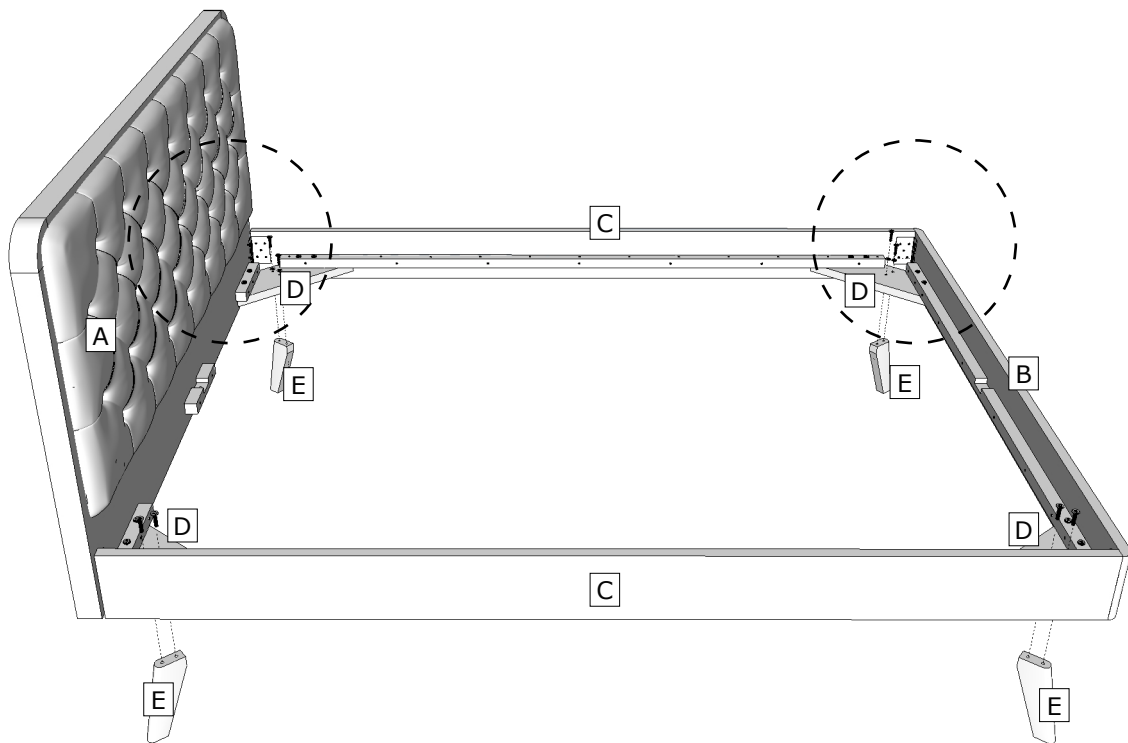
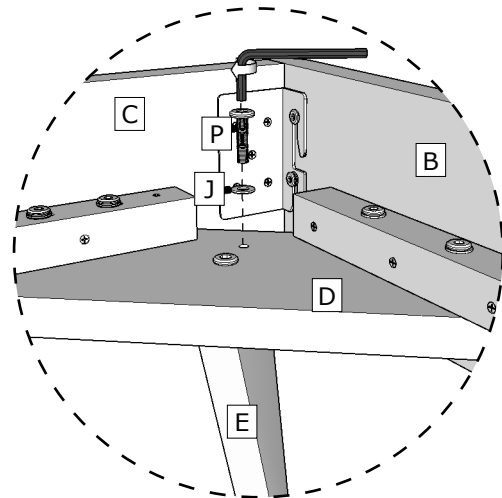
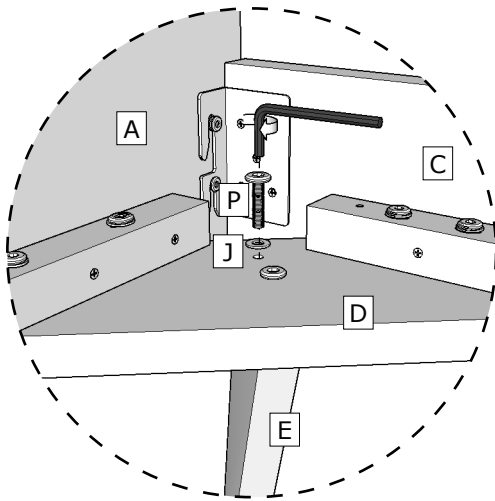
M8 x 50mm

J Flat washer - Big

x 8

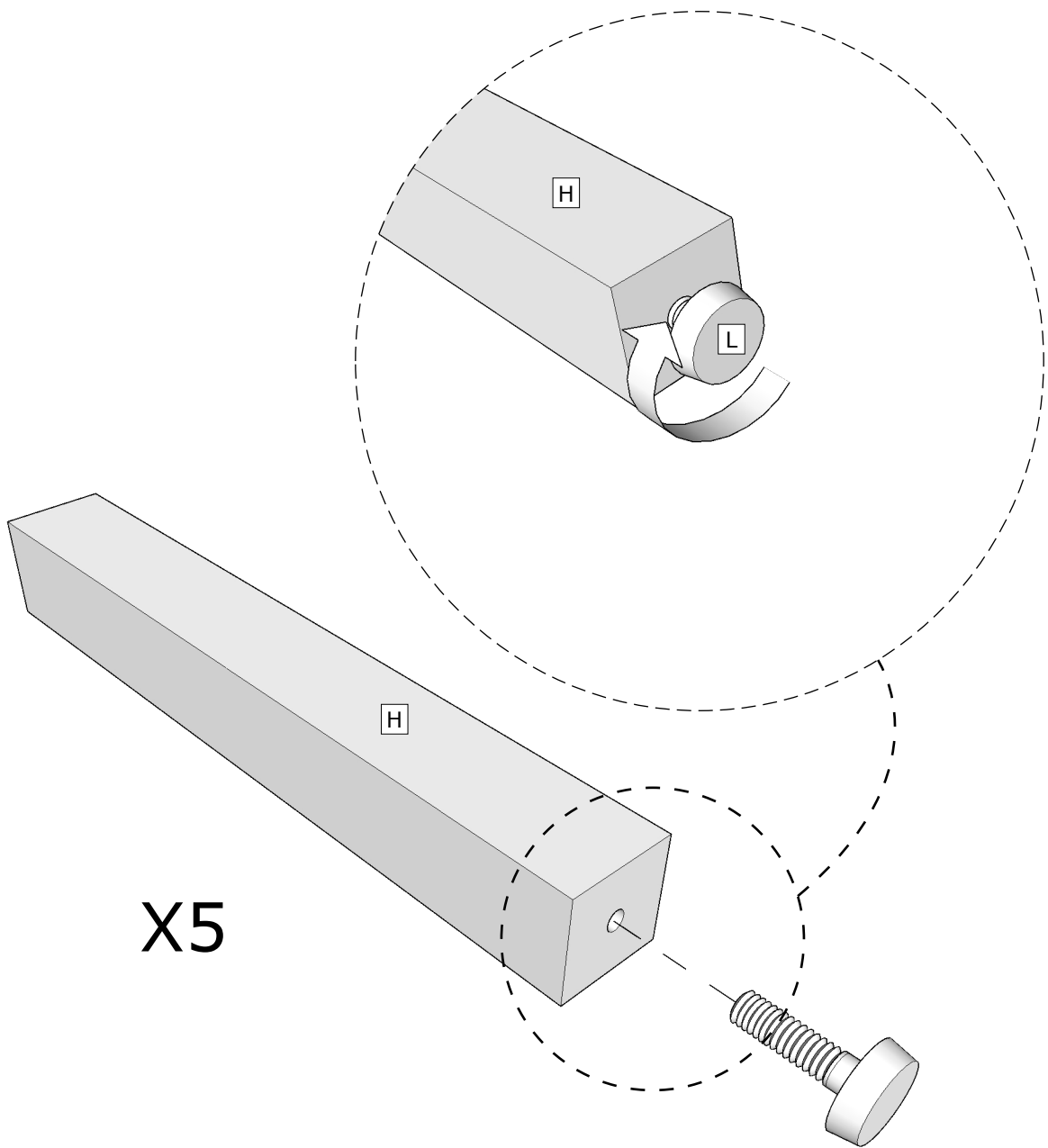
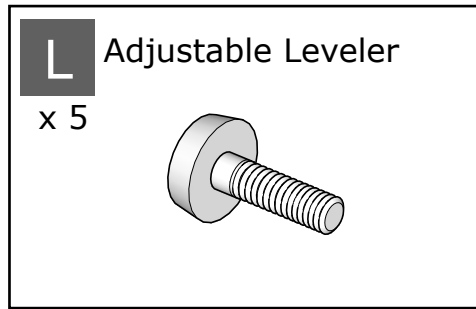


M8



Attach Foot **E** to Corner Block **D** using Large Bolt - Long **P** and Flat Washer - Big **J**
Repeat process to the remaining Foot Assembly

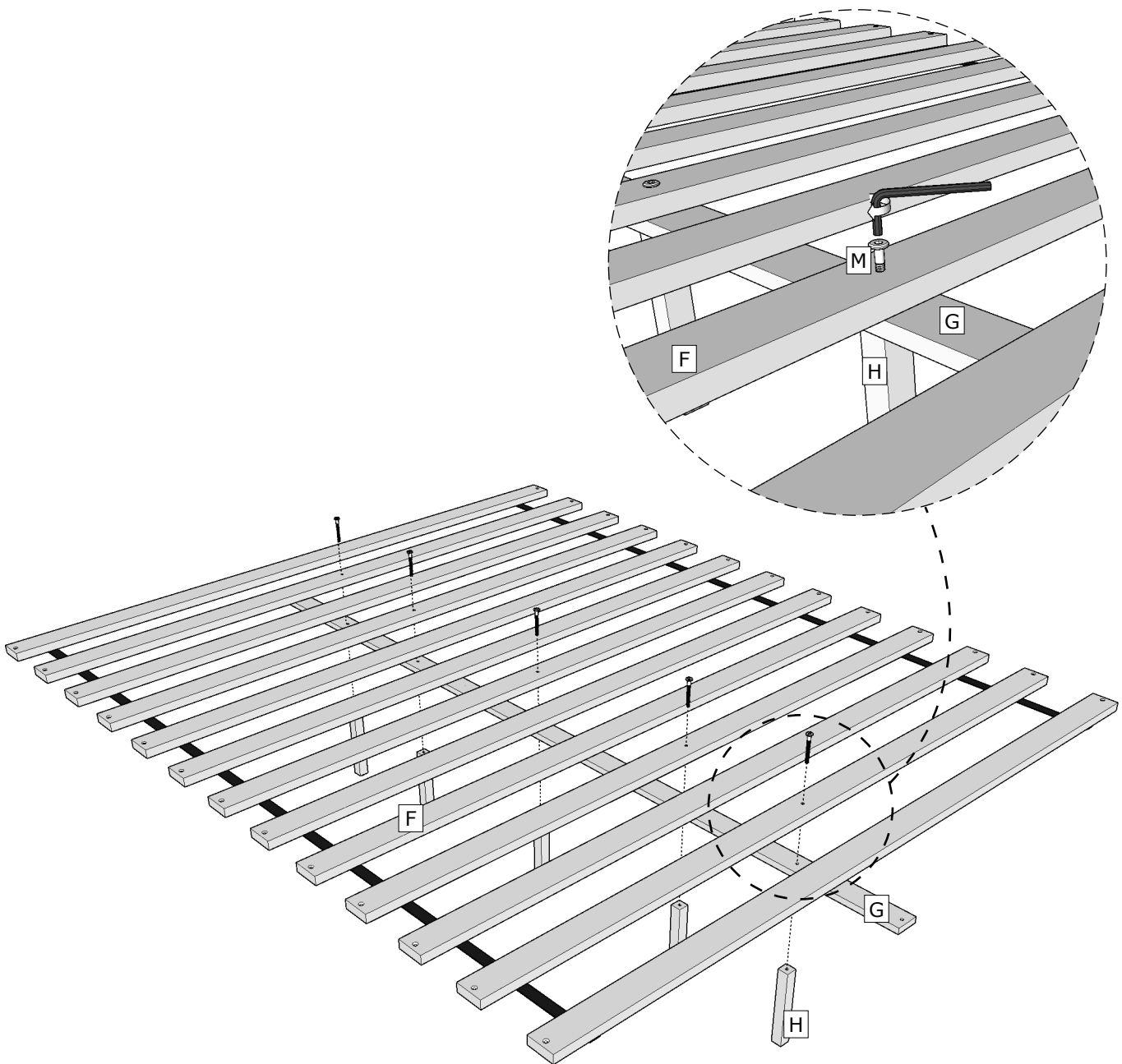
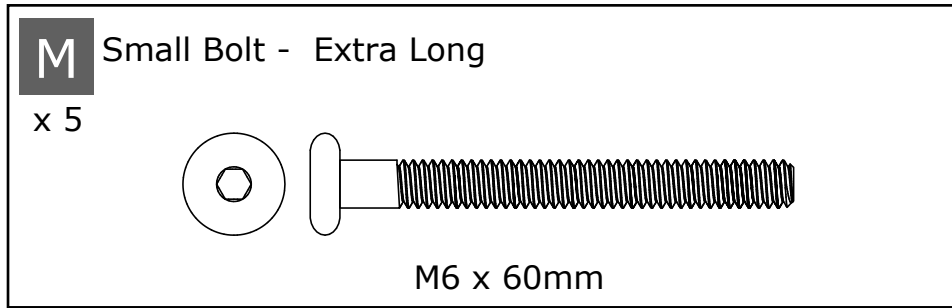
BED ASSEMBLY STEP 4



X5

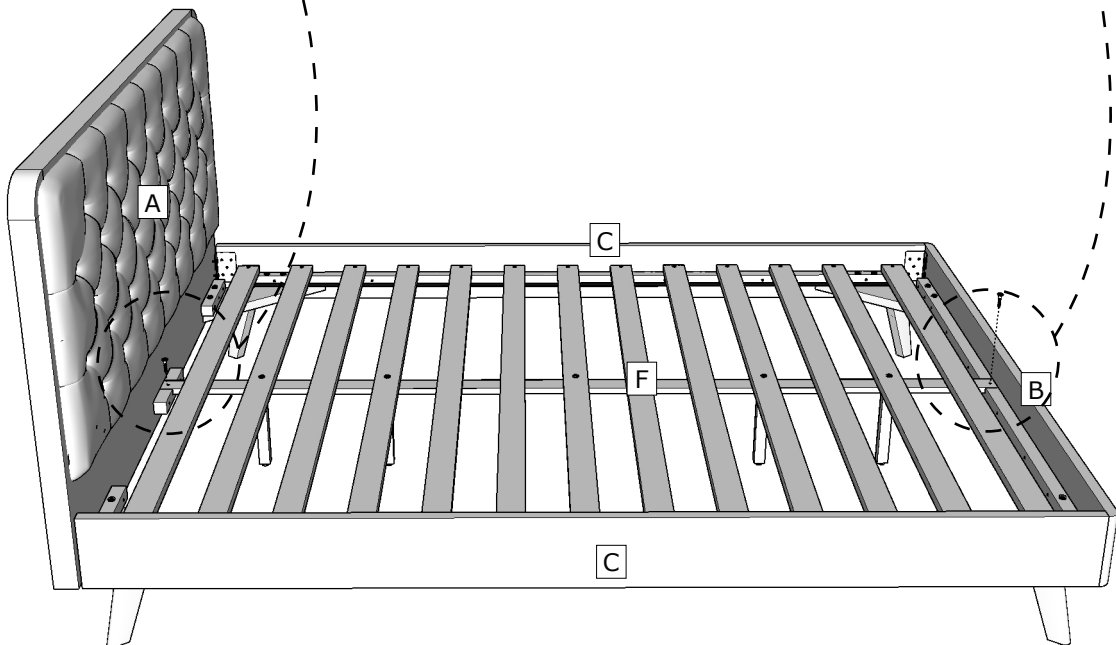
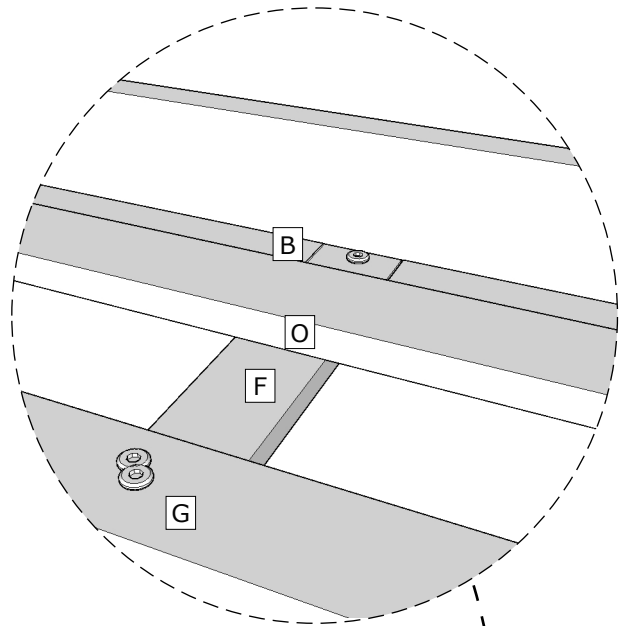
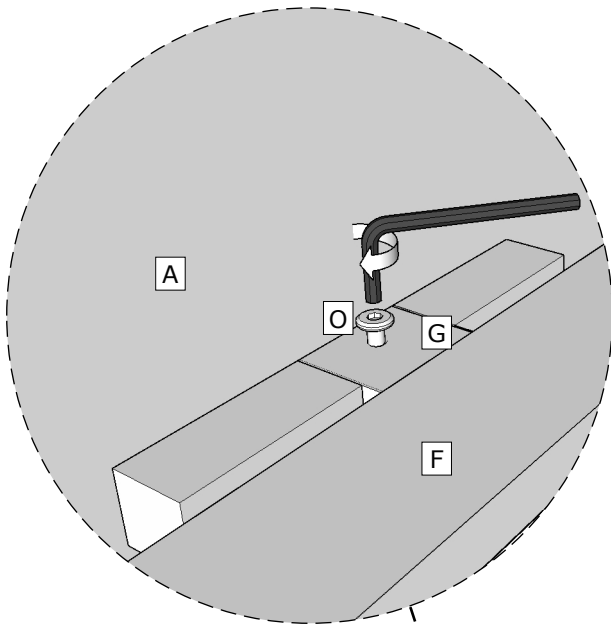
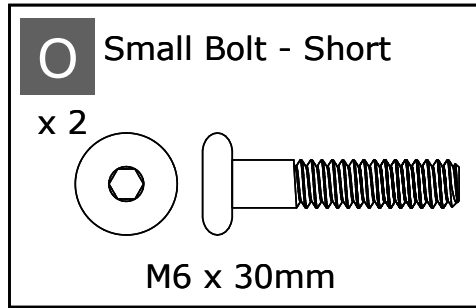
Screw the Adjustable Leveler **L** into the bottom of Support Leg **H**
Repeat process to the remaining Support Leg **H**

BED ASSEMBLY STEP 5



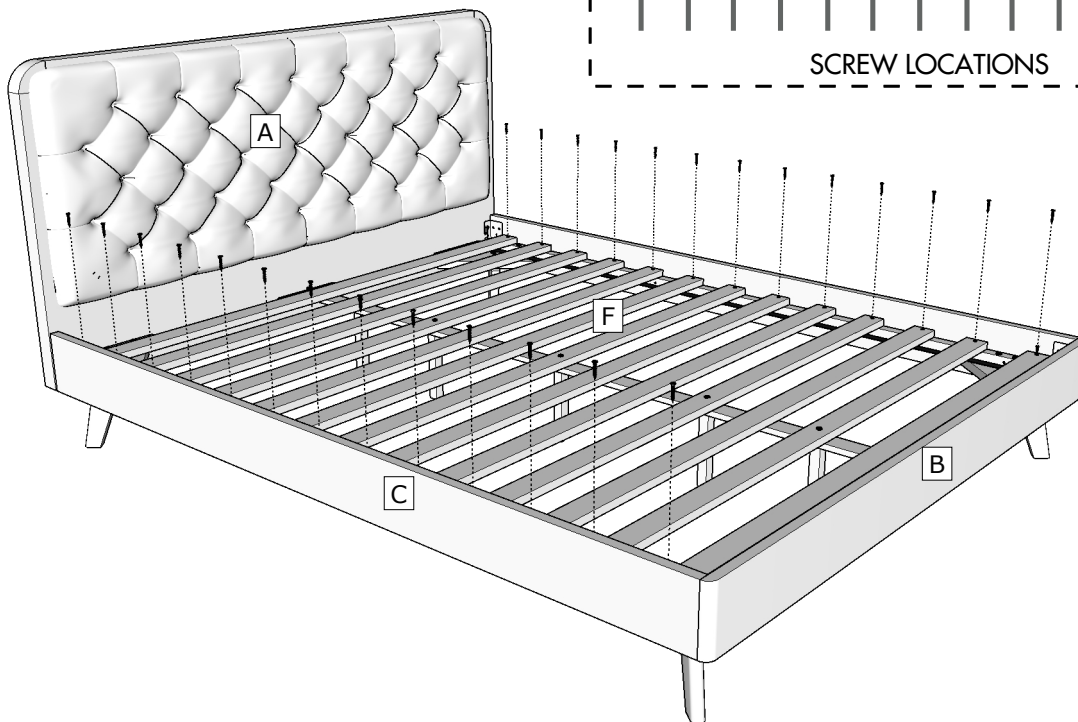
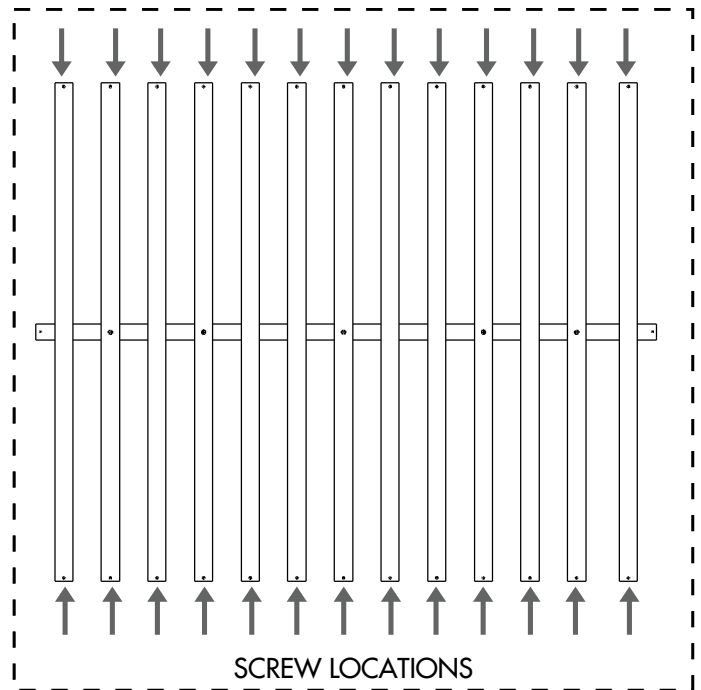
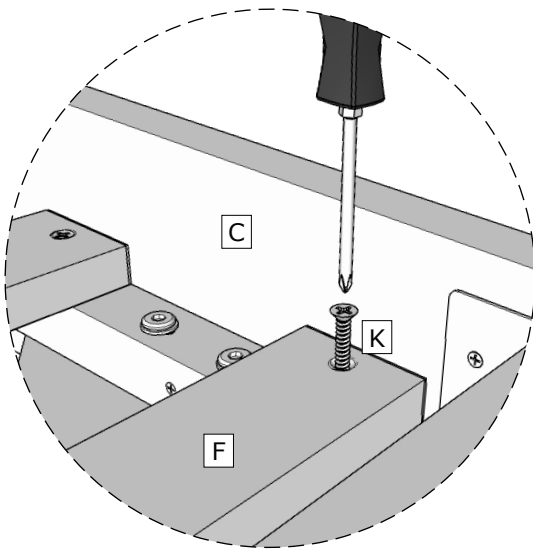
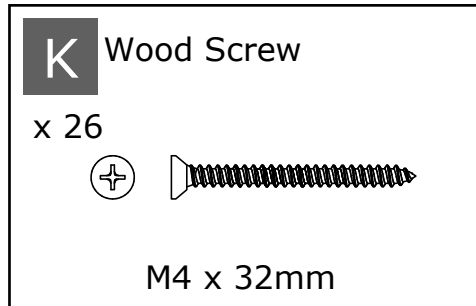
Attach Bed Slat **F** to Center Rail Slat **G** and Support Leg **H** with Small Bolt - Extra Long **M**s shown.

BED ASSEMBLY STEP 6



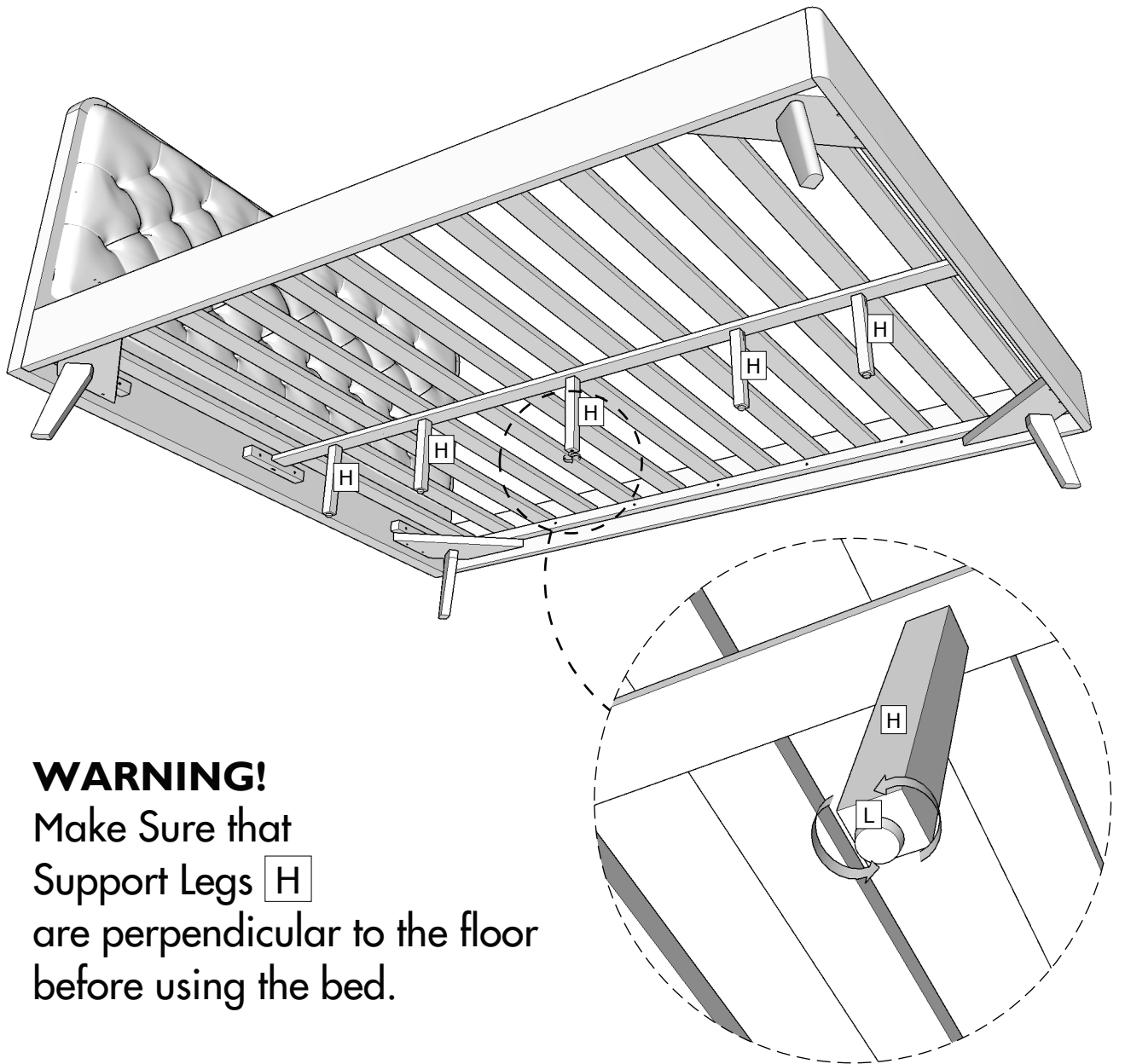
Secure Assembled Bed Slat to Assembled Bed with Small Bolt - Short **O** as shown.

BED ASSEMBLY STEP 7



Attach Assembled Bed Slat to Side Rail **C** in twenty-six locations on the sides with Wood Screw **K**

BED ASSEMBLY STEP 8



WARNING!

Make Sure that Support Legs **H** are perpendicular to the floor before using the bed.

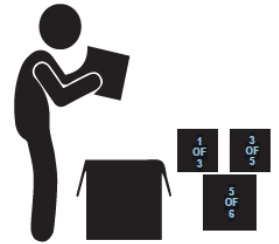
Rotate Adjustable Glide **L** clockwise or counter clockwise until it is firmly against the floor.

FAQS FREQUENTLY ASKED QUESTIONS

WE ARE OPEN MONDAY TO FRIDAY TO ASSIST YOU AND WILL REPLY TO ANY OF YOUR MESSAGES WITHIN 24-48 HOURS. THE AVERAGE RESPONSE TIME IS WITHIN 24 HOURS. IF YOU ENCOUNTER AN ISSUE THAT IS NOT MENTIONED BELOW, PLEASE MESSAGE US IN OUR CONTACT PAGE.

WHERE IS THE REST OF MY ORDER? THE PACKAGE I RECEIVED SAYS CARTON NO. 1 OF 3, CARTON NO. 3 OF 5, OR CARTON NO. 5 OF 6 ETC.

THE MARKETPLACE ONLY ALLOWS 1 TRACKING NUMBER TO BE UPLOADED IN THE SYSTEM. HOWEVER, THE PRODUCT IS SHIPPED IN MULTIPLE PACKAGES. YOU CAN CONFIRM THE NUMBER OF PACKAGES TO RECEIVE BY REFERRING TO THE CARTON NO. PRINTED ON THE PACKAGE THAT WAS DELIVERED TO YOU. FOR EXAMPLE, YOU RECEIVED 1 PACKAGE AND THE PACKAGE SHOWS CARTON NO. 1 OF 3, THEN CARTON NO. 2 OF 3 AND CARTON NO. 3 OF 3 IS IN TRANSIT TO YOU. THE REST OF THE PACKAGES CAN BE DELIVERED WITHIN THE SAME DAY AS THE FIRST PACKAGE OR WITHIN A FEW DAYS. ONCE THE ORDER IS SHIPPED CONFIRMED, OUR TEAM WILL SEND YOU A MESSAGE TO PROVIDE YOU WITH ALL THE TRACKING NUMBER THAT COMPLETES YOUR ORDER. IF YOU DID NOT RECEIVE THIS MESSAGE, PLEASE CHECK YOUR EMAIL'S SPAM FOLDER, OR LOG INTO THE MARKETPLACE ACCOUNT AND SEND US A MESSAGE.



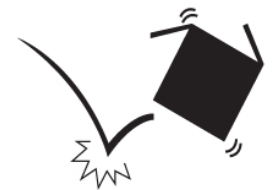
WHERE IS THE REST OF THE PARTS TO MY ORDER? THE PACKAGE I RECEIVED SAYS CARTON NO. 1 OF 1.

THE PACKAGE IS DESIGNED TO EFFICIENTLY SAVE SPACE AND HAVE INCLUDED ADDITIONAL COMPONENTS AND HARDWARE TO BUILD THE BED FRAME INSIDE OF THE HEADBOARD. THIS CAN BE LOCATED BY VIEWING THE BACK OF THE HEADBOARD AND UNZIP THE ZIPPER COMPARTMENT.



MY ORDER IS DAMAGED, WHAT DO I DO?

CONTACT US ON OUR WEBSITE INCLUDE THE ORDER NUMBER AND ATTACH APPLICABLE IMAGES TO EXPEDITE THE CLAIM AND ENSURE OUR TEAM WILL PROVIDE THE APPROPRIATE RESOLUTION



I TRACKED THE PACKAGE AND IT SHOWS MY PACKAGE WAS DELIVERED, BUT I NEVER RECEIVED THE PACKAGE. I DOUBLE CHECKED WITH MY FAMILY MEMBER AND NEIGHBOR; THEY DO NOT HAVE THE PACKAGE. WHAT DO I DO?

CONTACT US ON OUR WEBSITE INCLUDE THE ORDER NUMBER AND LET US KNOW WHICH CARTON NUMBER OR TRACKING NUMBER YOU DID NOT RECEIVE, AND A TEAM MEMBER WILL REPLY TO YOUR MESSAGE ACCORDINGLY.



LOVE THE PRODUCT?

LOG INTO THE MARKETPLACE YOU MADE THE ORDER AND SHARE YOUR EXPERIENCE WITH THE PRODUCT AND WHAT YOU LIKE MOST ABOUT IT. ELEVATE THE PRODUCT REVIEW BY INCLUDING IMAGES OF THE PRODUCT TO SHARE WITH EVERYONE.

