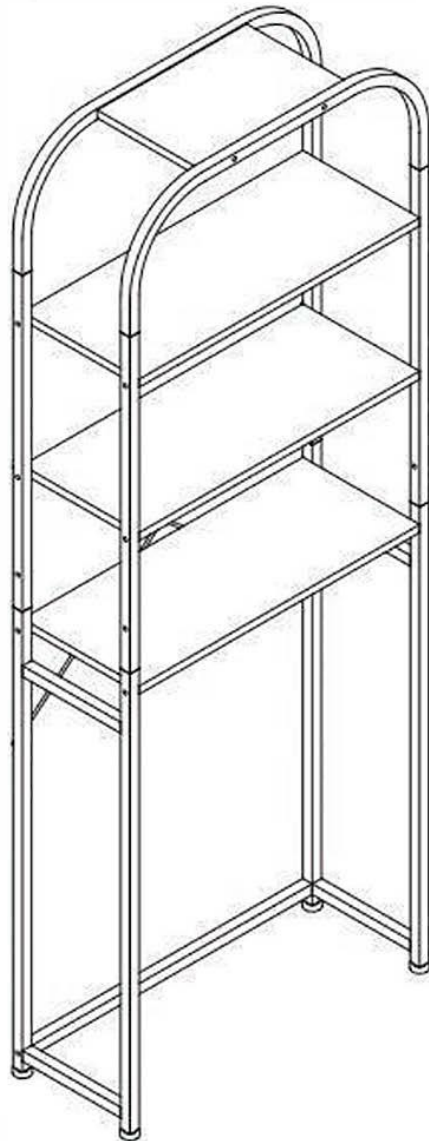


# Installation & Assembly

## Toilet storage rack



Attention: Don't tighten the screw before all screws are in place

Hardware List

**A**



4\*10  
(1pcs)

**B**



6\*10  
(20pcs)

**C**



6\*35  
(2pcs)

**D**



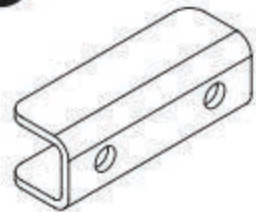
7\*38  
(16pcs)

**E**



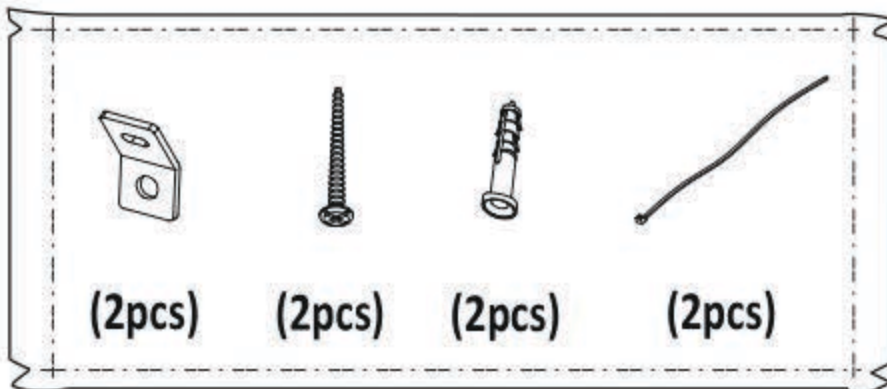
4  
(1pcs)

**F**



(8pcs)

**G**



**H**



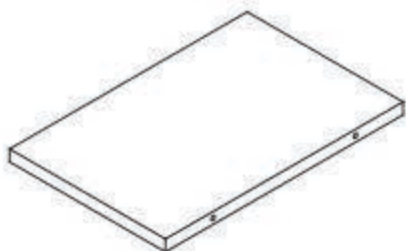
(4pcs)



(1pcs)

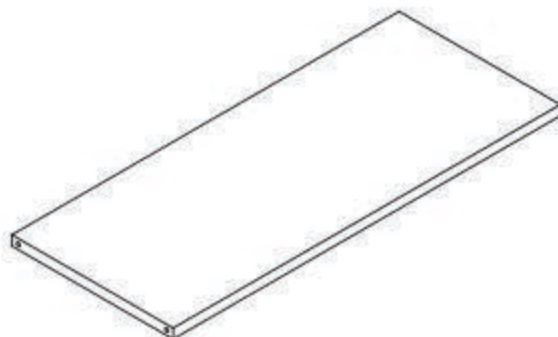
# Panel List

①



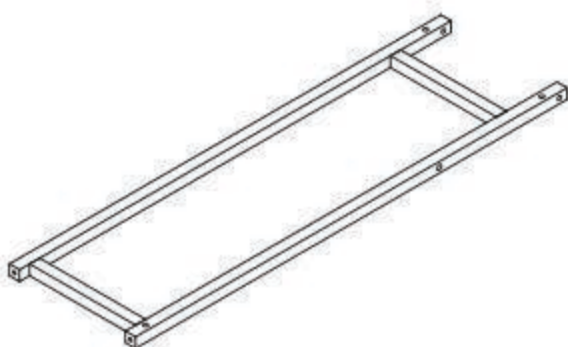
\*1

②



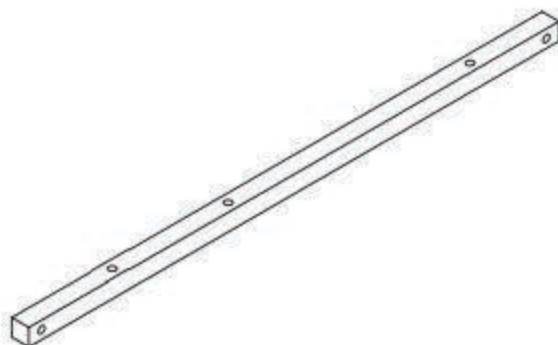
\*3

③



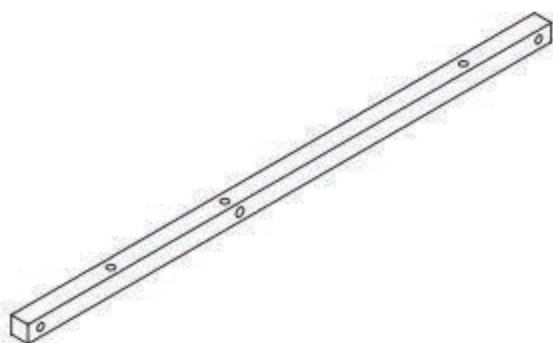
\*2

④



\*2

⑤



\*2

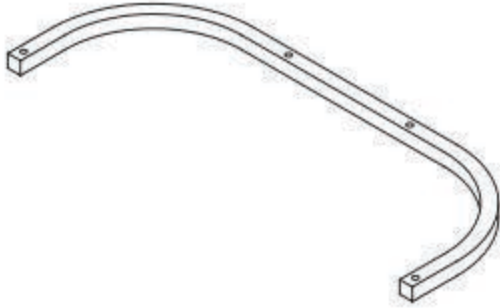
⑥



\*1

# Panel List

7



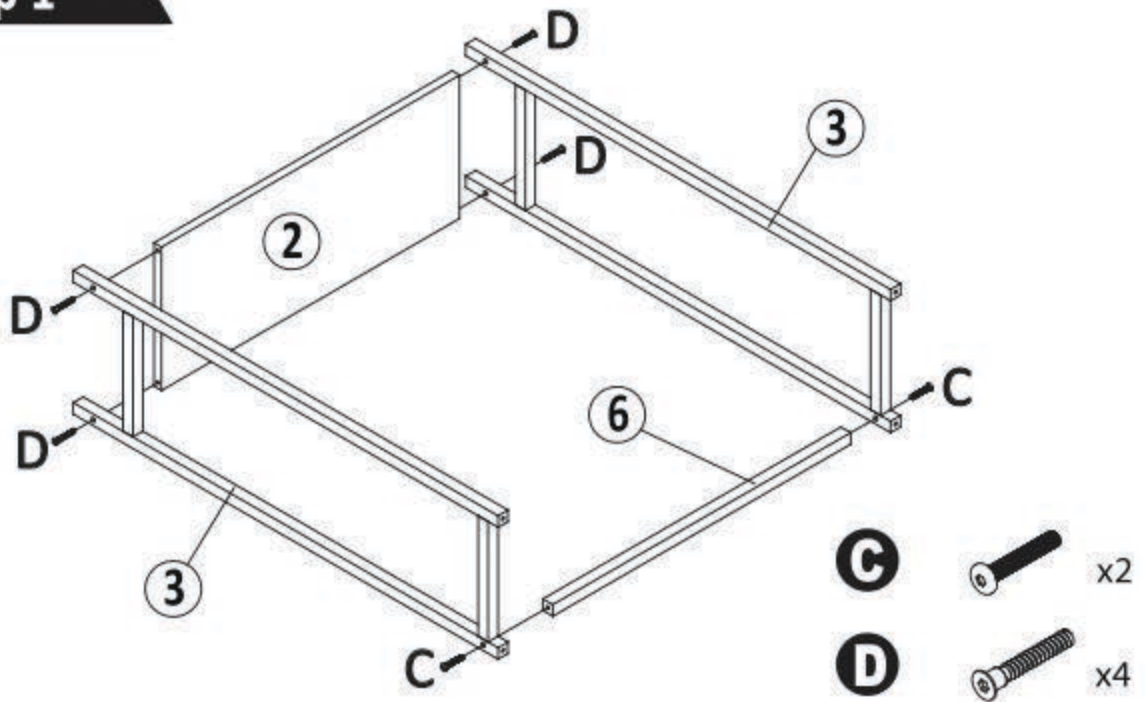
\*2

8

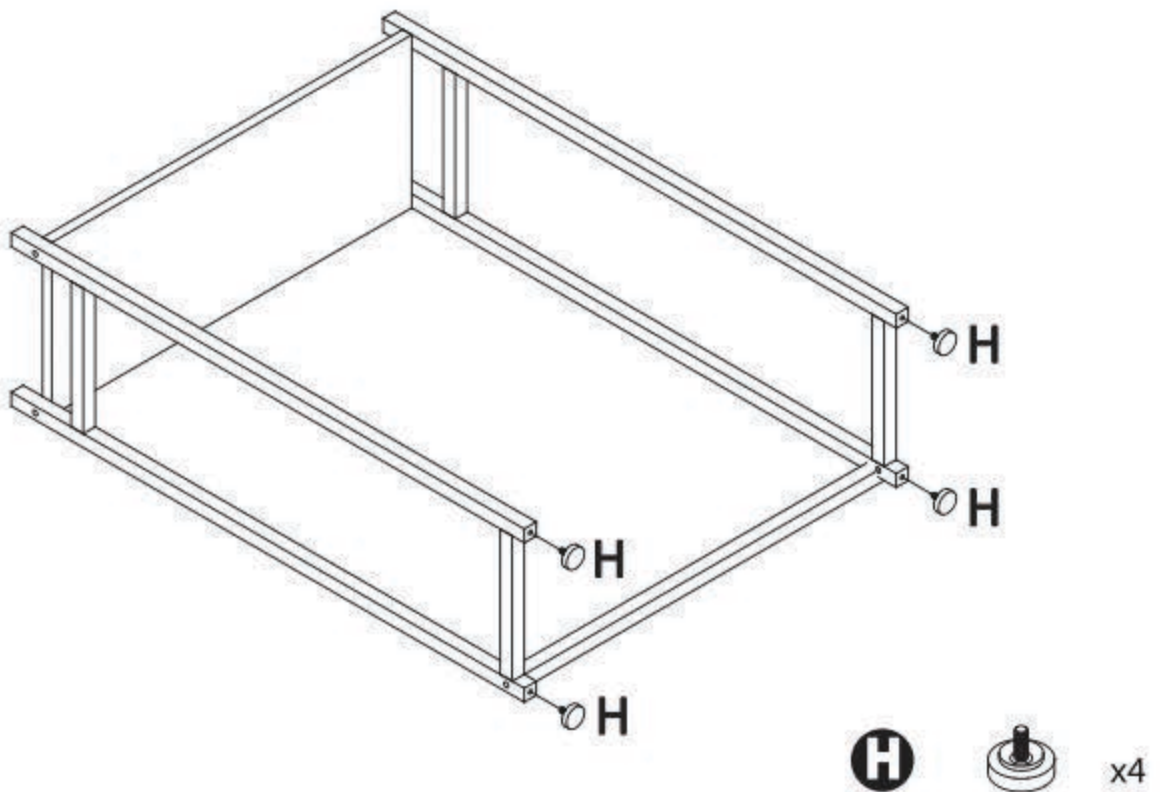


\*2

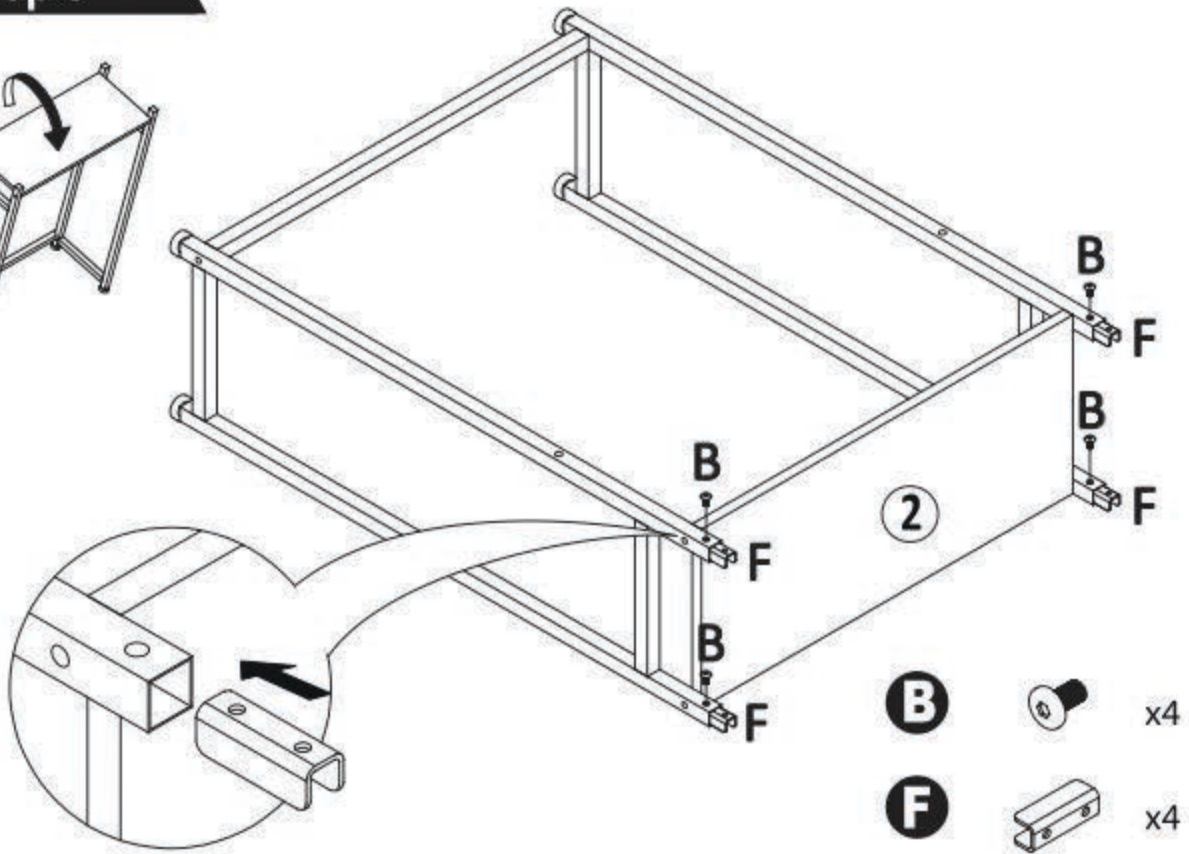
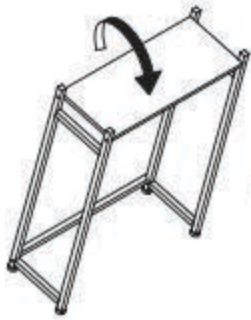
Step 1



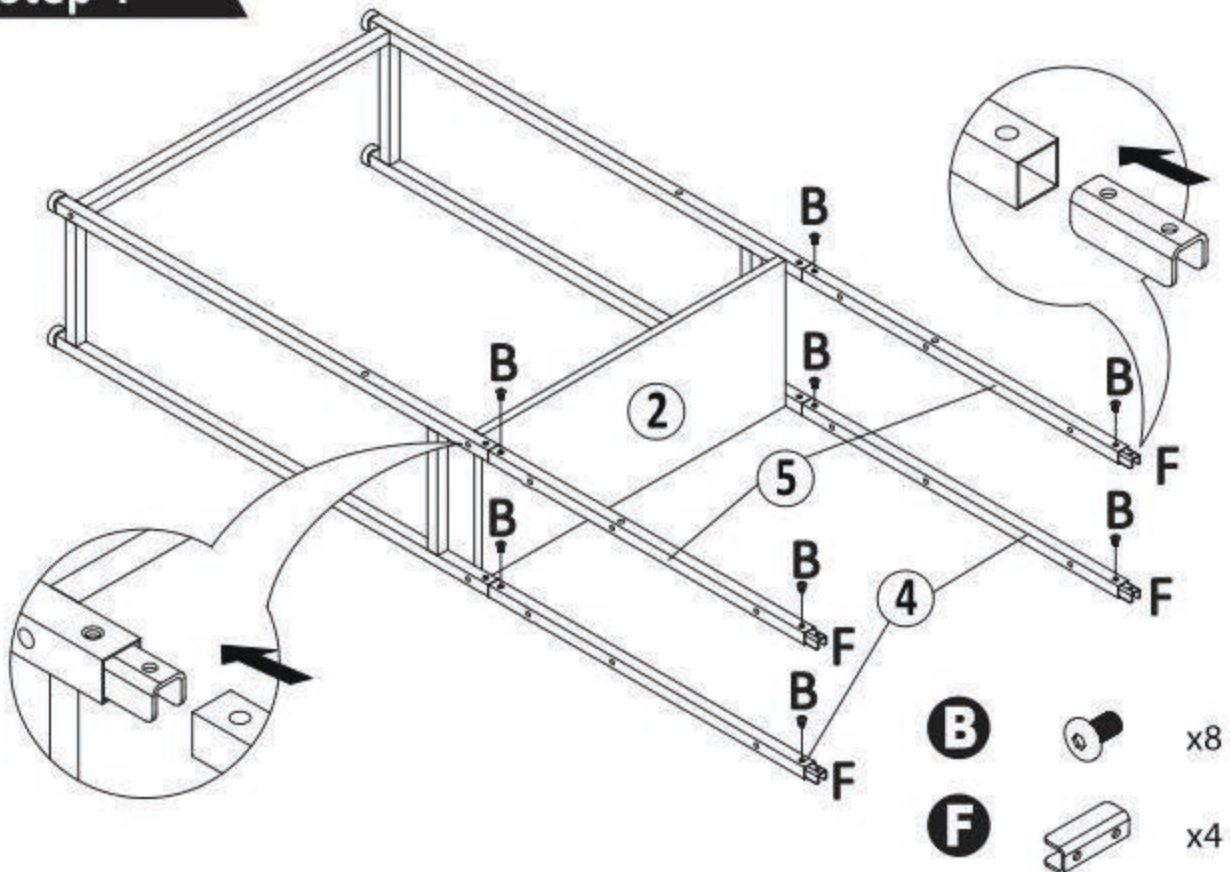
Step 2



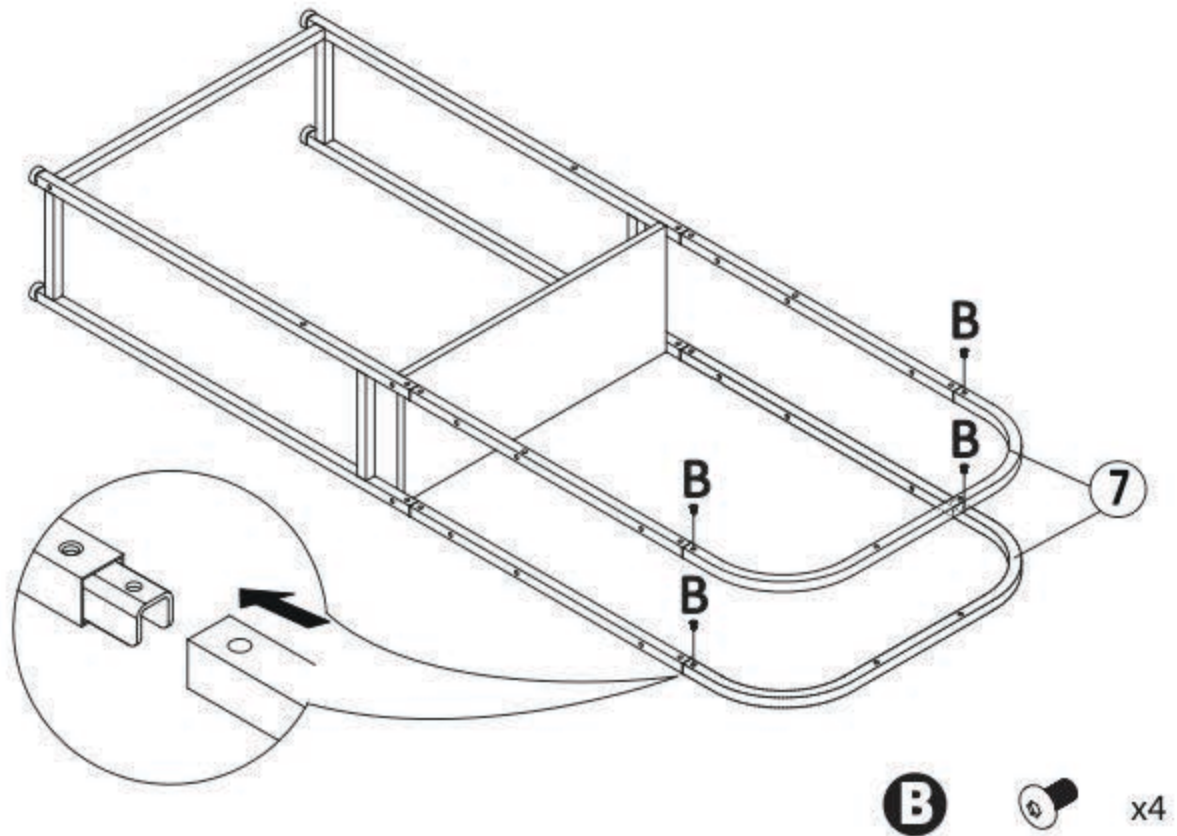
### Step 3



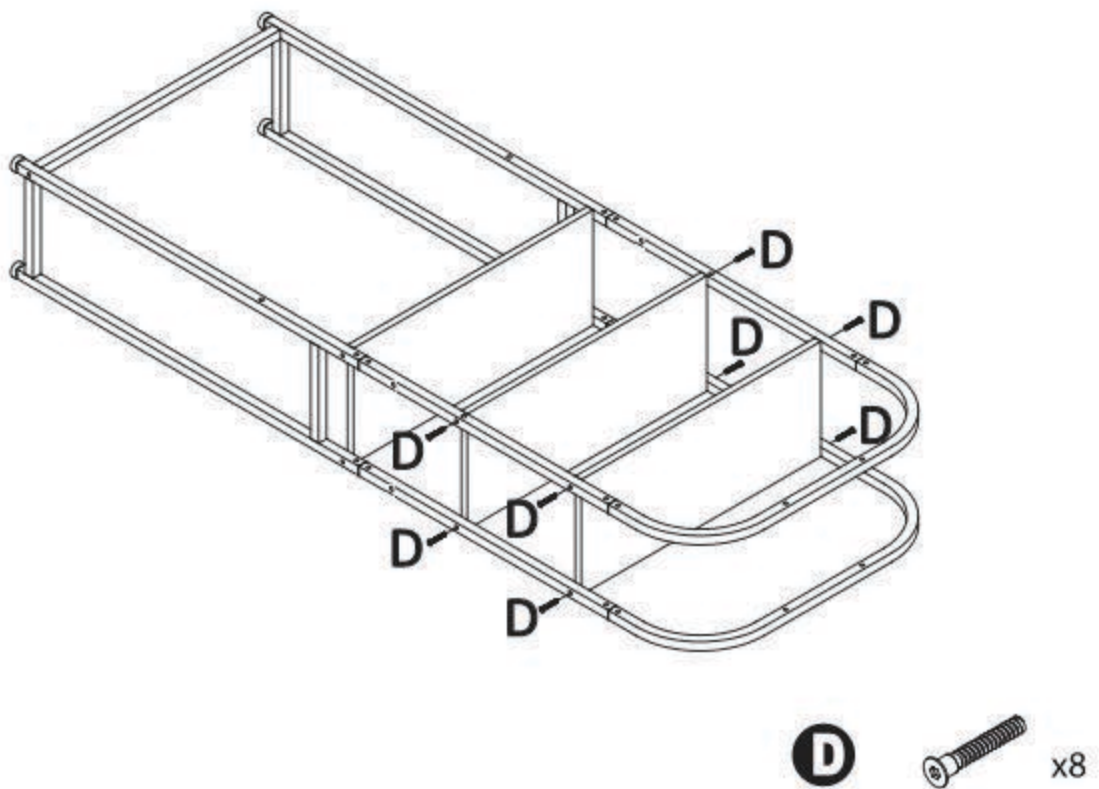
### Step 4



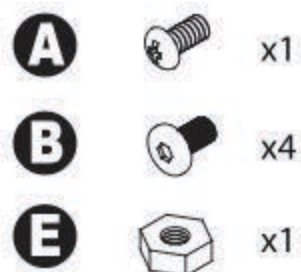
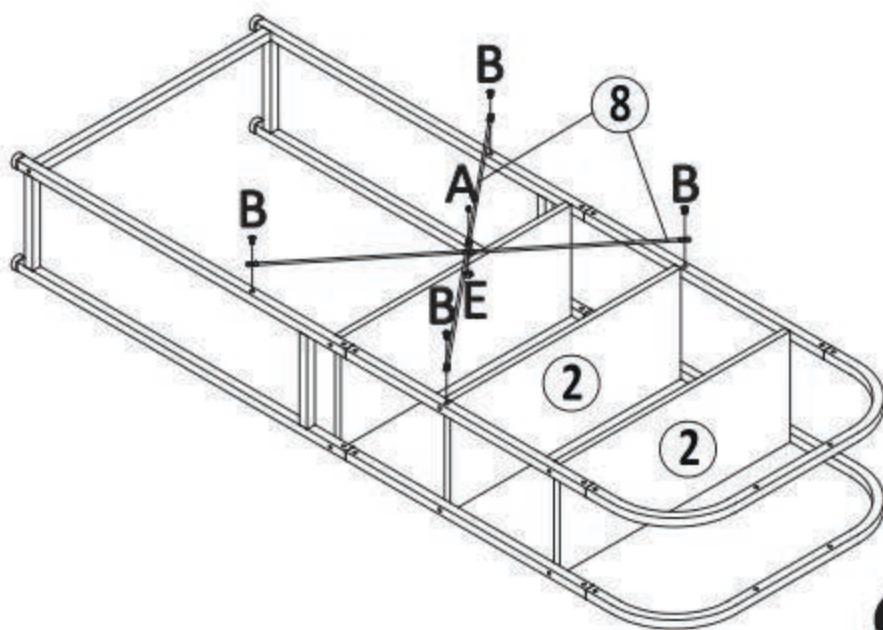
## Step 5



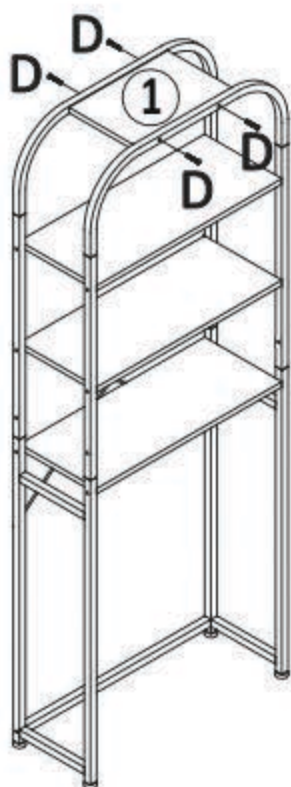
## Step 6



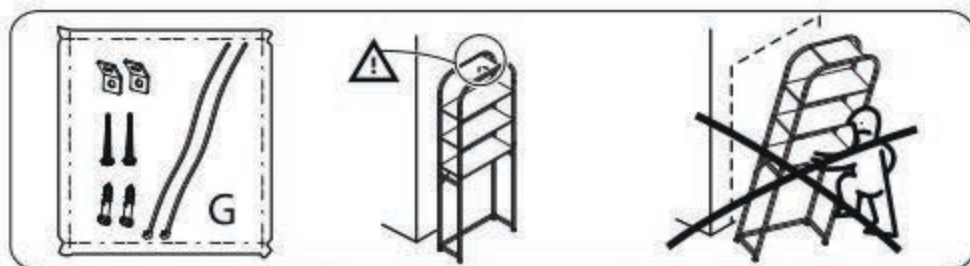
## Step 7



## Step 8

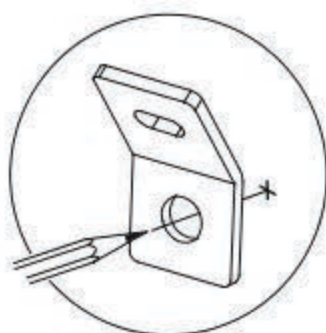


## Step 9

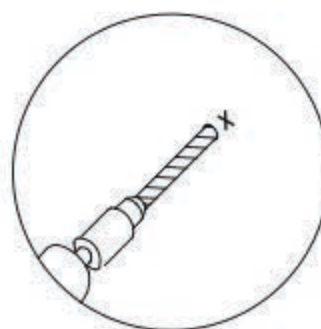


DO NOT CLIMB  
ON DRAWERS.  
DOING SO MAY CAUSE  
INJURY OR DEATH

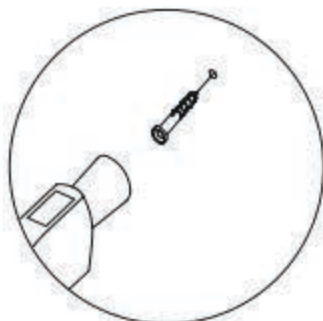
Please assemble part H to avoid dumping.



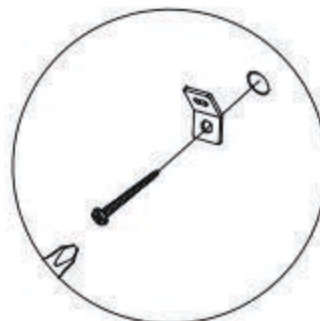
a. Mark on the wall



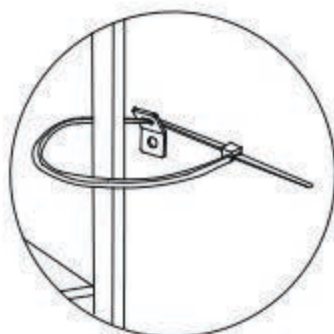
b. Make holes in the wall



c. Push in the plastic wall anchor



d. Insert long screws into the wall  
to fix the iron clasp



e. The plastic straps pass through the iron clasp  
and then ring the steel frame and tighten it

## Step 10

