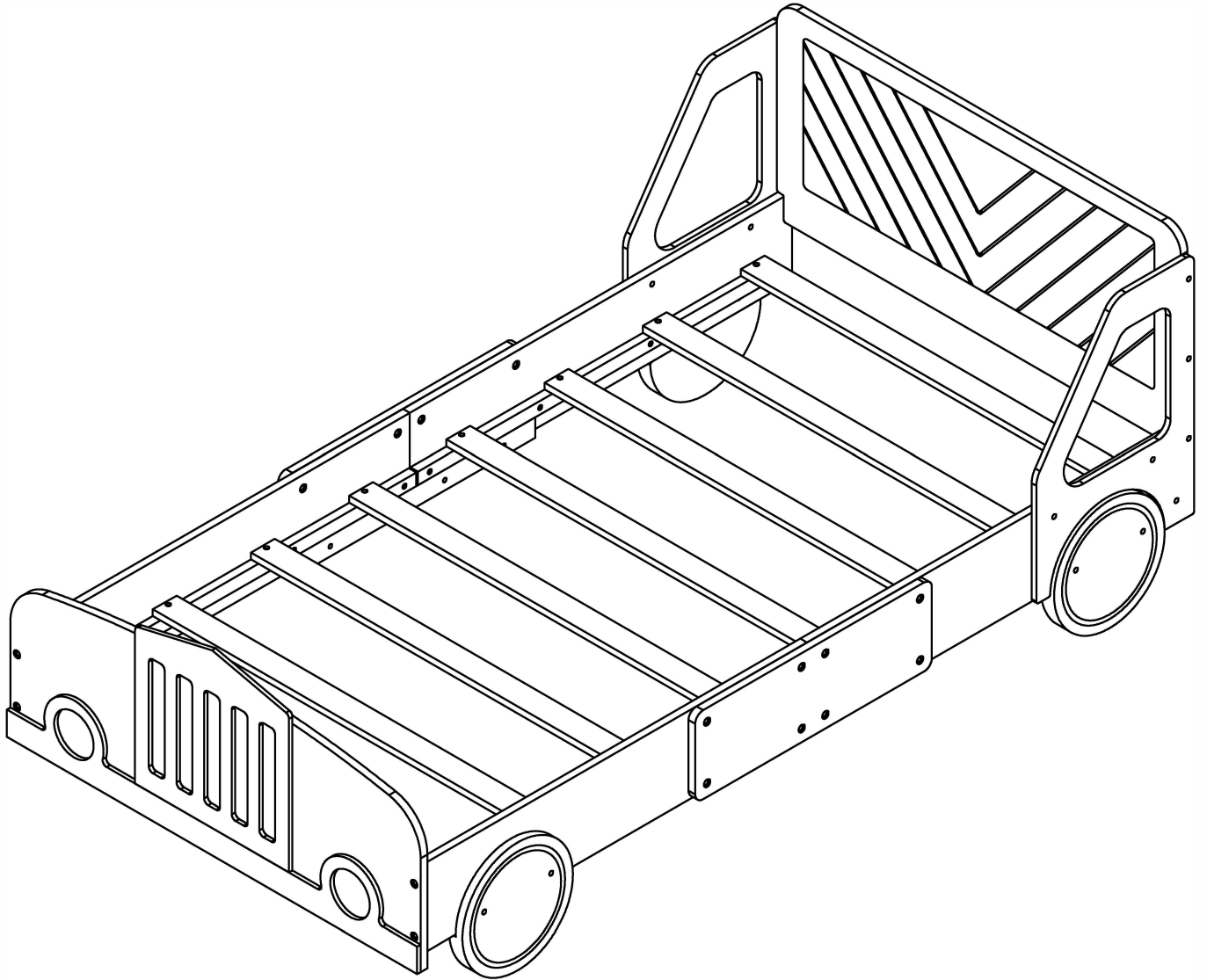
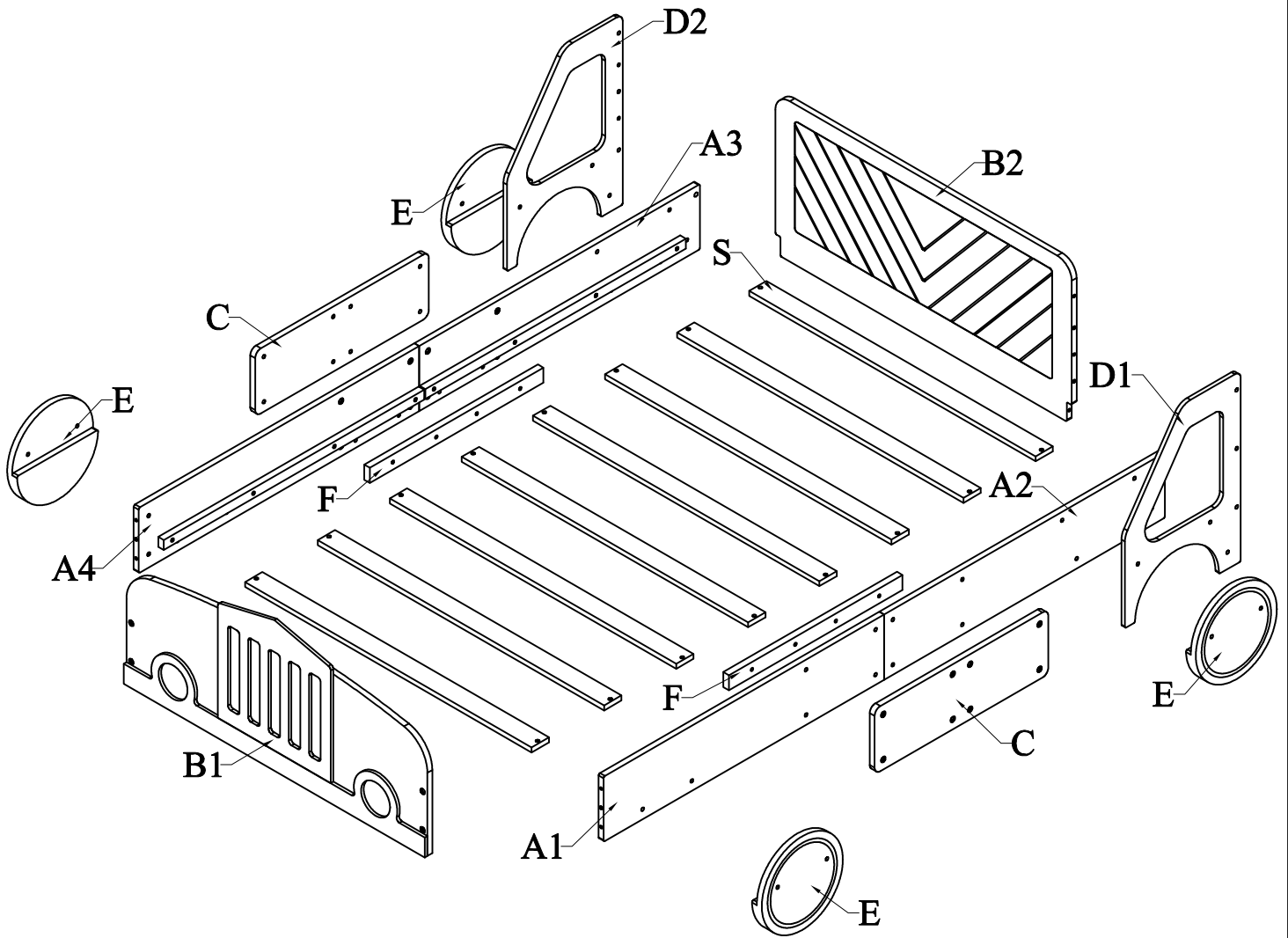


ASSEMBLY INSTRUCTIONS

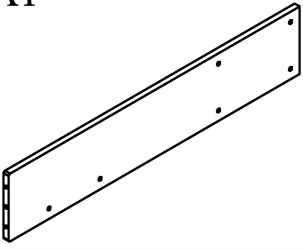


DETAIL VIEW



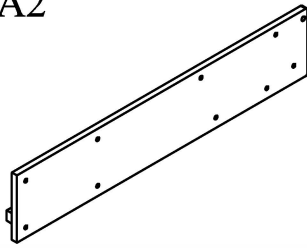
BOX 1:

A1



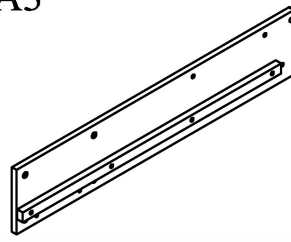
Side rail - front right (1pc)

A2



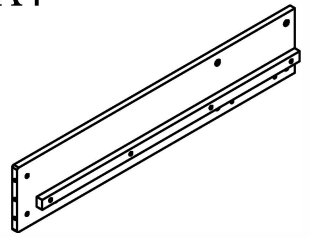
Side rail - back right (1pc)

A3



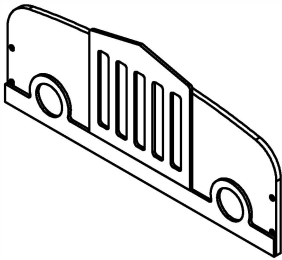
Side rail - front left (1pc)

A4



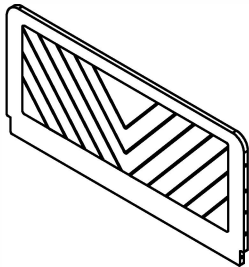
Side rail - back left (1pc)

B1



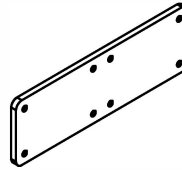
Footboard panel (1pc)

B2



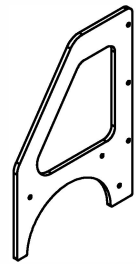
Headboard panel (1pc)

C



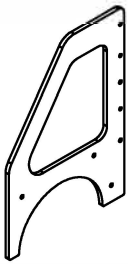
Support side rail (2pcs)

D1



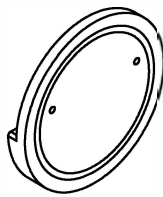
Side panel 1 (1pc)

D2



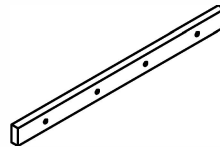
Side panel 2 (1pc)

E



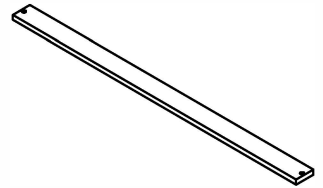
Wheel car (4pcs)

F



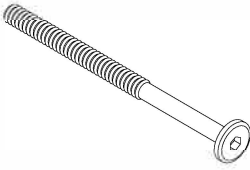
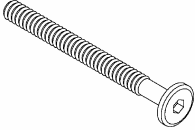
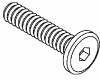
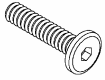
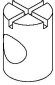

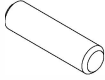
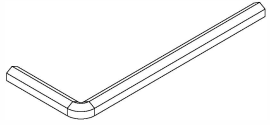
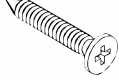
Support bar (2pcs)

S

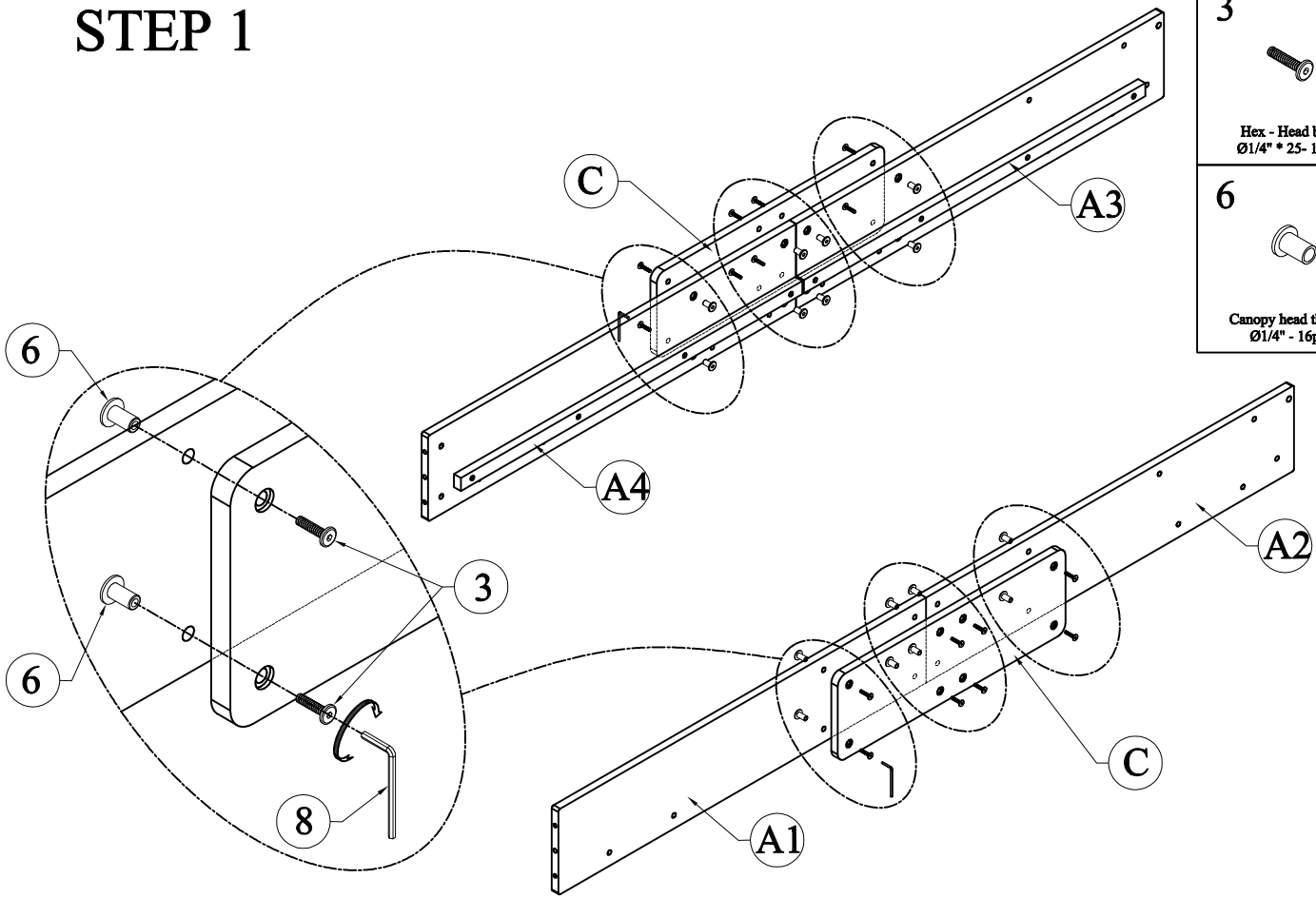


Slats (8pcs)

HARDWARE LIST:

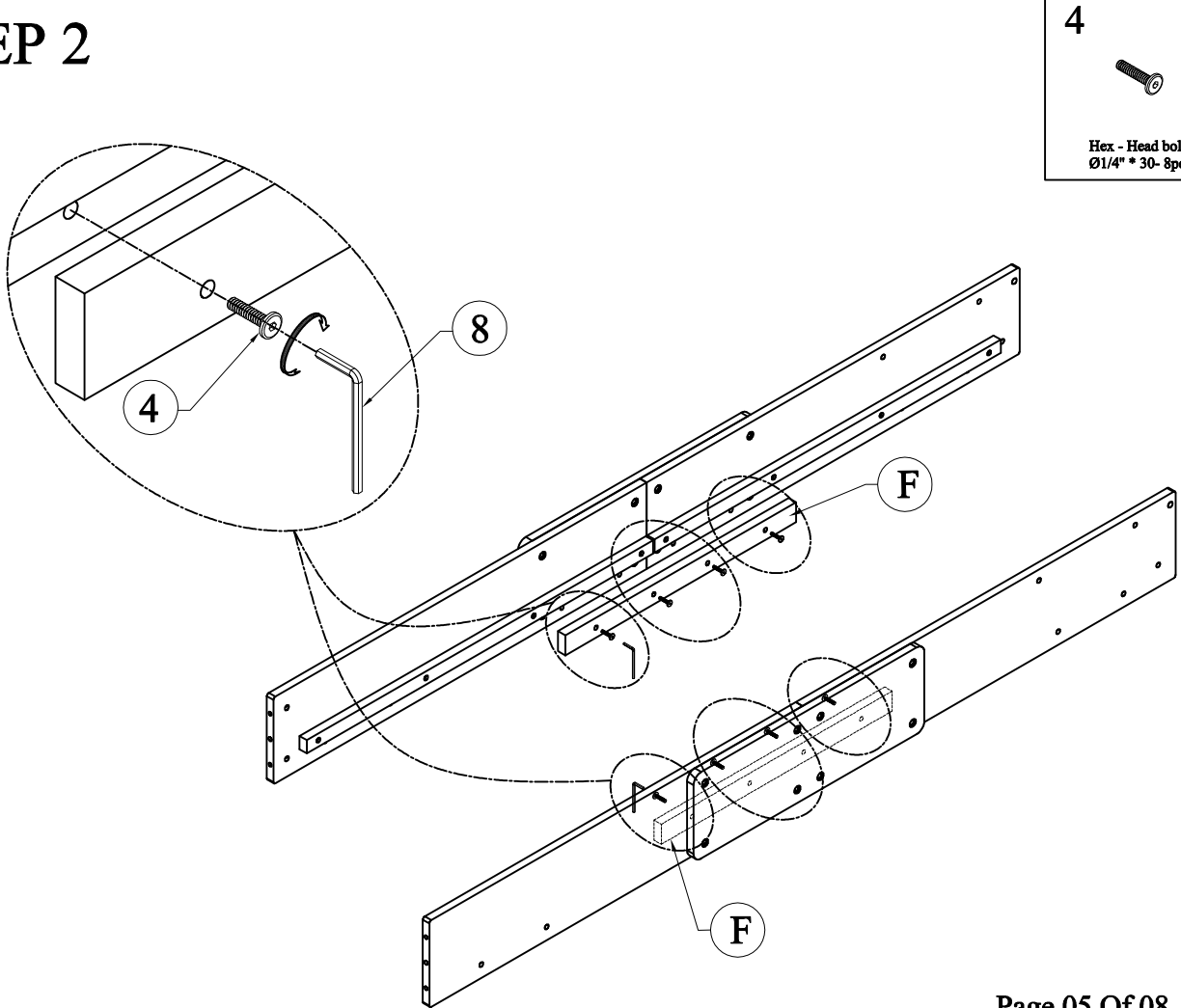
<p>1</p>  <p>Hex - Head bolts Ø1/4" * 80- 2pcs</p>	<p>2</p>  <p>Hex - Head bolts Ø1/4" * 60- 8pcs</p>	<p>3</p>  <p>Hex - Head bolts Ø1/4" * 25- 30pcs</p>	<p>4</p>  <p>Hex - Head bolts Ø1/4" * 30- 8pcs</p>
<p>5</p>  <p>Horizontal - Hold bolts Ø1/4" - 10pcs</p>	<p>6</p>  <p>Canopy head though Ø1/4" - 30pcs</p>	<p>7</p>  <p>Wood dowel Ø8 * 30 - 6pcs</p>	<p>8</p>  <p>Allen key K4 - 2pcs</p>
<p>9</p>  <p>Wood crews M4 * 30 - 16pcs</p>			

STEP 1



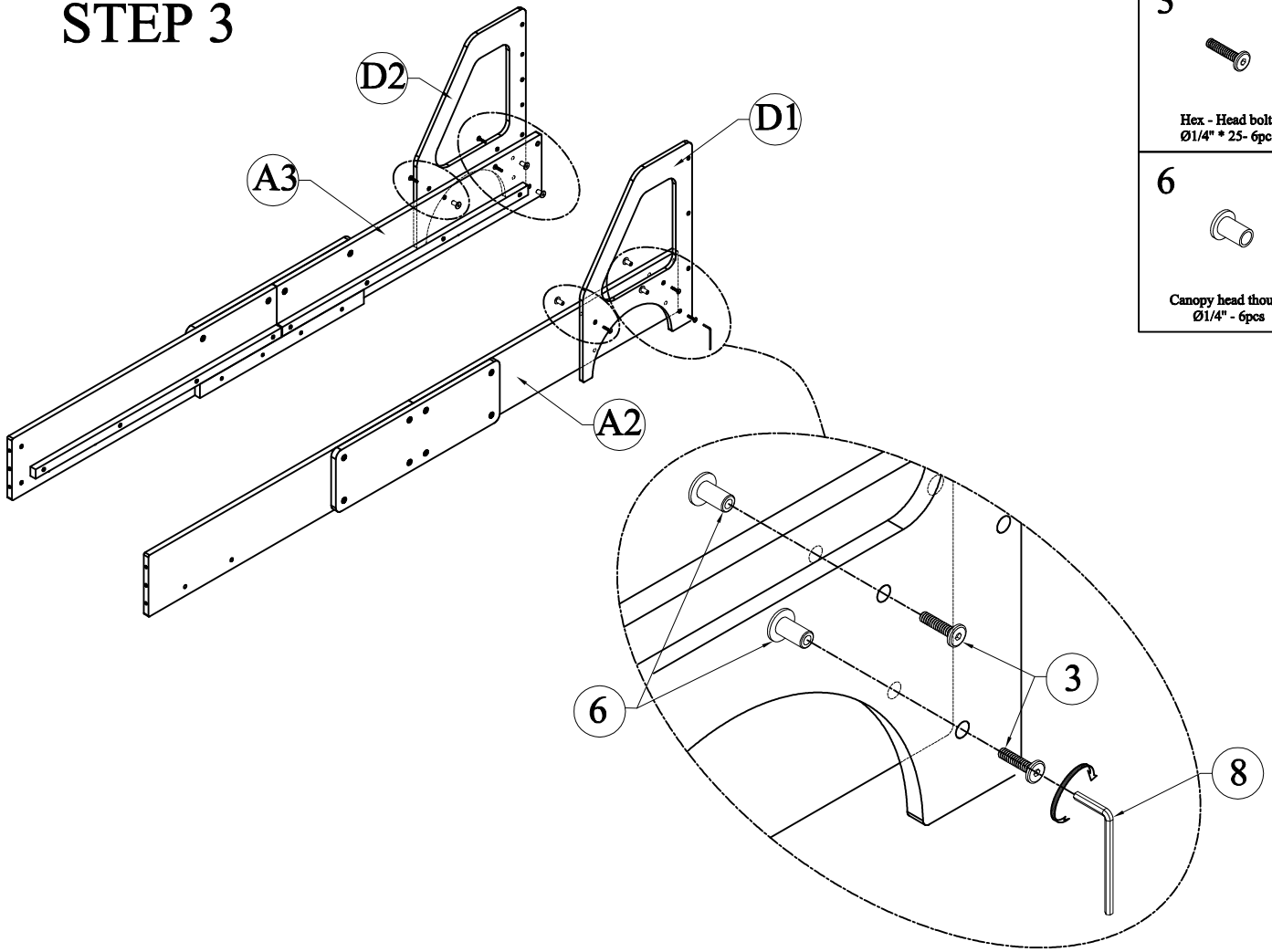
- 3
Hex - Head bolts
Ø1/4" * 25- 16pcs
- 6
Canopy head through
Ø1/4" - 16pcs



STEP 2



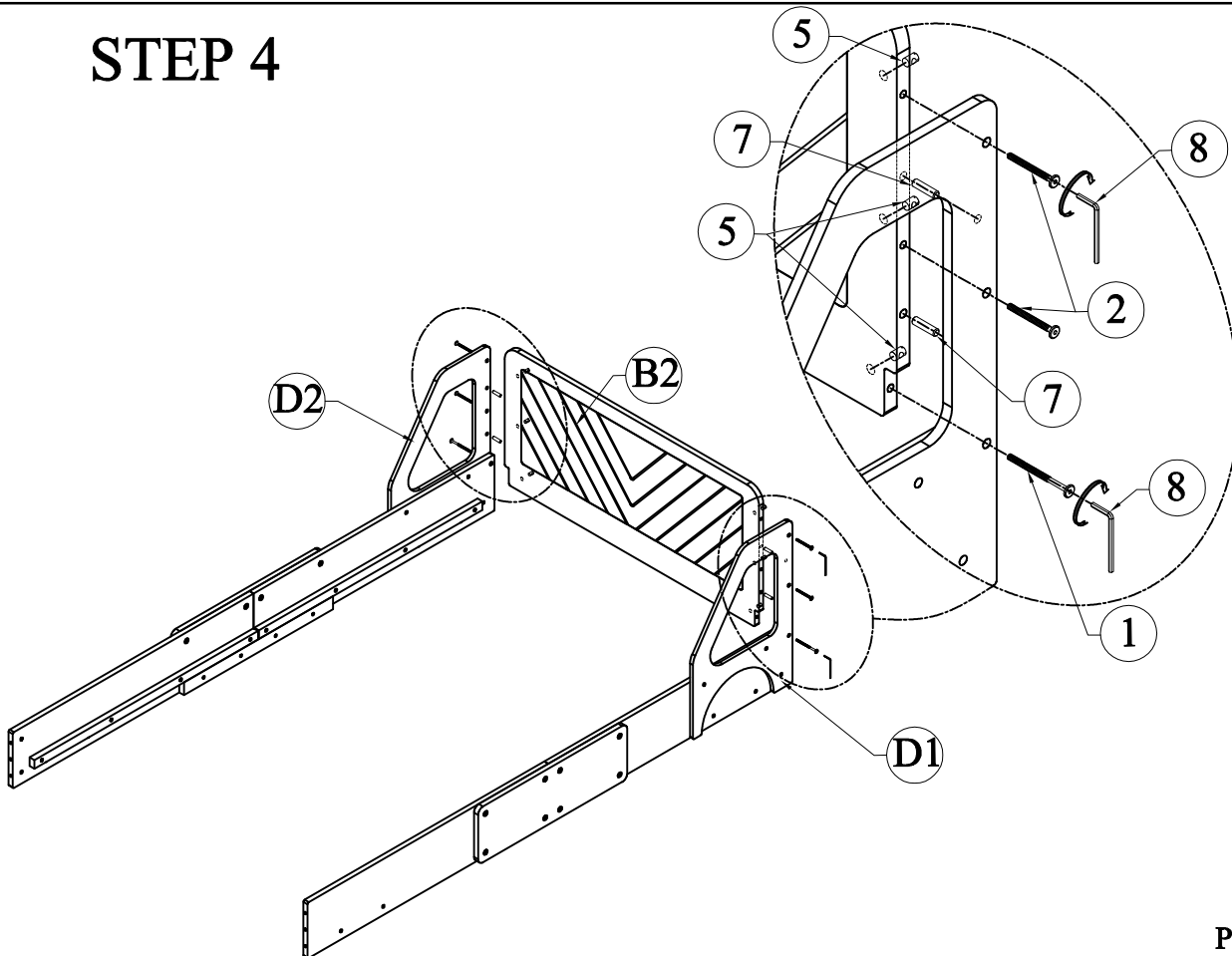
- 4
Hex - Head bolts
Ø1/4" * 30- 8pcs

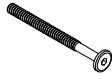
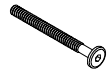


STEP 3



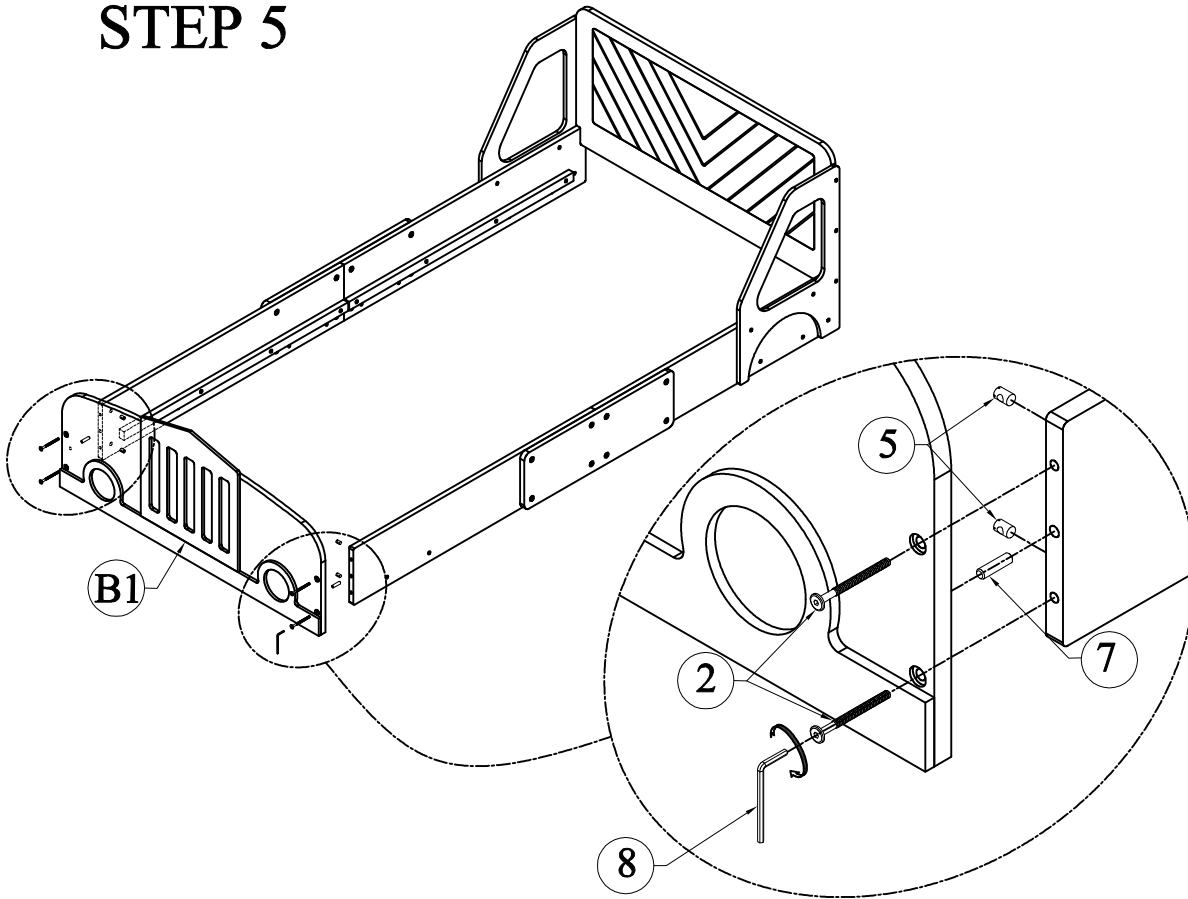
- 3

 Hex - Head bolts
 Ø1/4" * 25- 6pcs
- 6

 Canopy head through
 Ø1/4" - 6pcs

STEP 4



- 1

 Hex - Head bolts
 Ø1/4" * 80- 2pcs
- 2

 Hex - Head bolts
 Ø1/4" * 60- 4pcs
- 5

 Horizontal - Hold bolts
 Ø1/4" - 6pcs
- 7

 Wood dowel
 Ø8 * 30 - 4pcs

STEP 5



2



Hex - Head bolts
Ø1/4" * 60- 4pcs

5



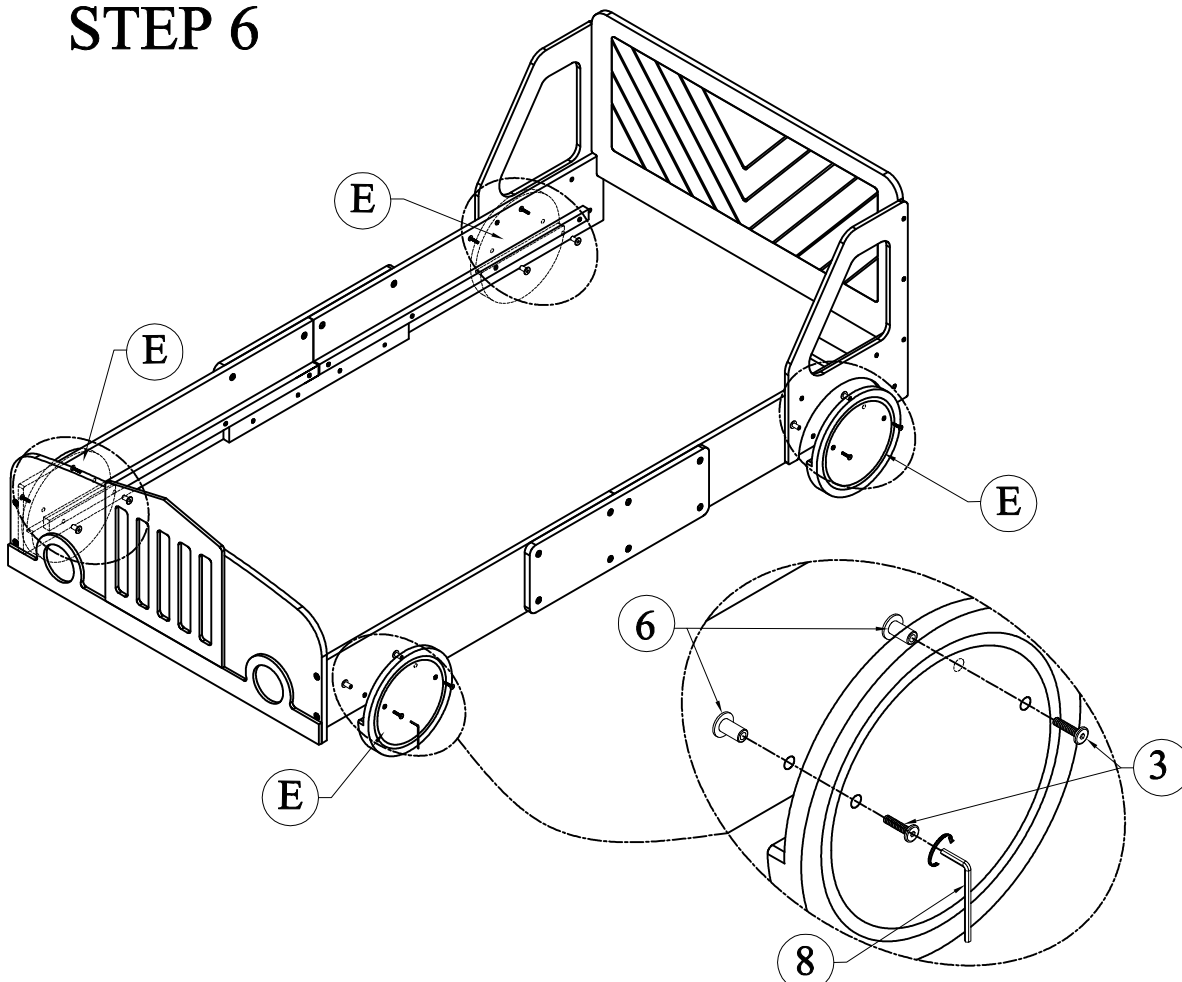
Horizontal - Hold bolts
Ø1/4" - 4pcs

7



Wood dowel
Ø8 * 30 - 2pcs

STEP 6



3



Hex - Head bolts
Ø1/4" * 25- 8pcs

6



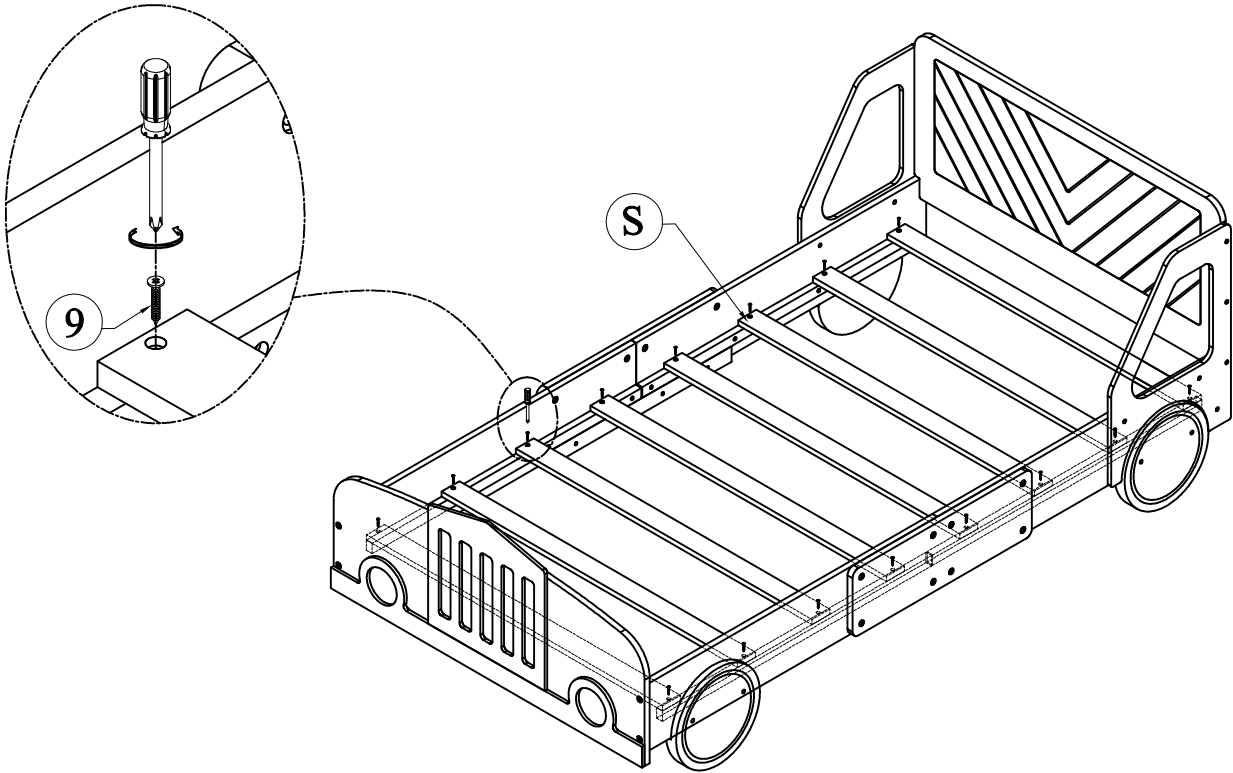
Canopy head through
Ø1/4" - 8pcs

STEP 7

9



Wood screws
M4 * 30 - 16pcs



COMPLETED

