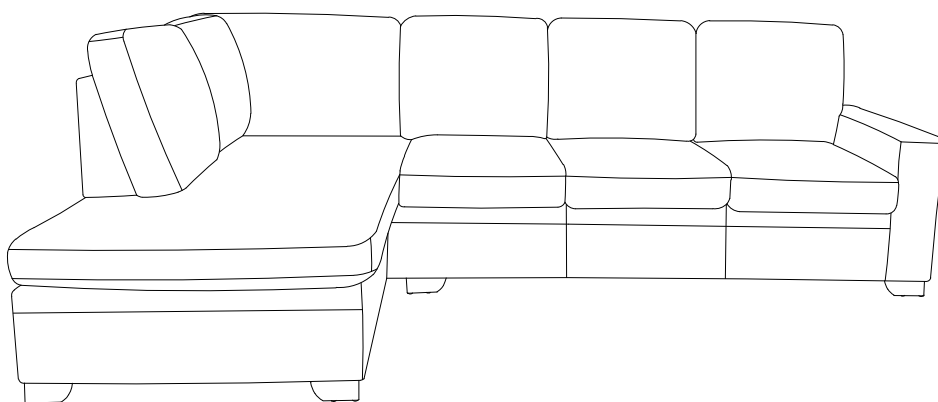


Assembly Instruction

60548

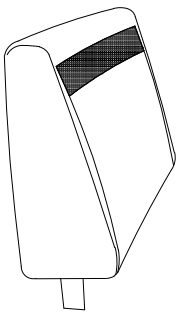
60550



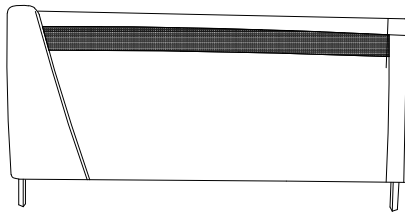
# BOX

1/2

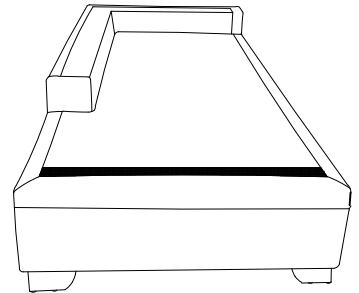
**Ax1**



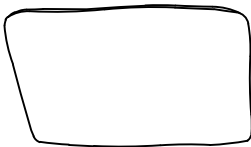
**Bx1**



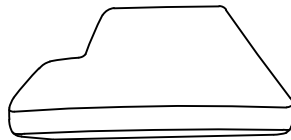
**Cx1**



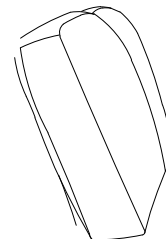
**Dx1**



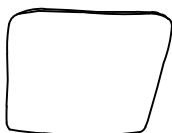
**Ex1**



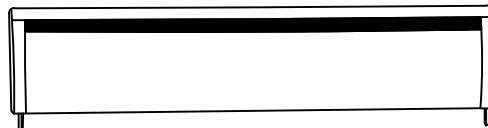
**Fx1**



**Gx1**



**Hx1**

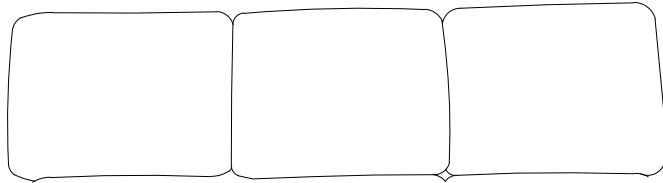


2/11

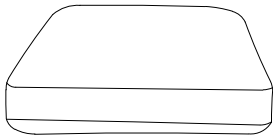
# BOX

## 2/2

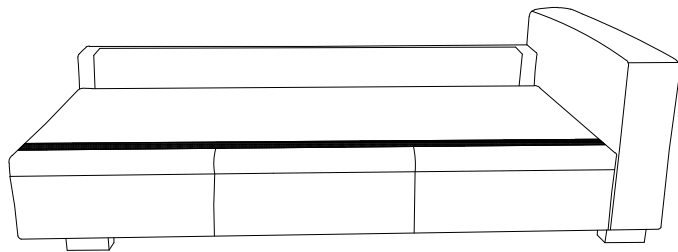
## lx3



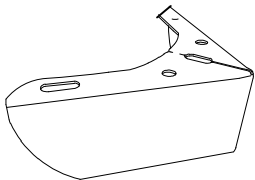
## Jx3



## Kx1



## Lx8



H15cm

## Mx1



## Nx16

30mm

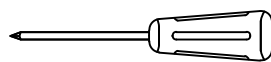


## Ox16



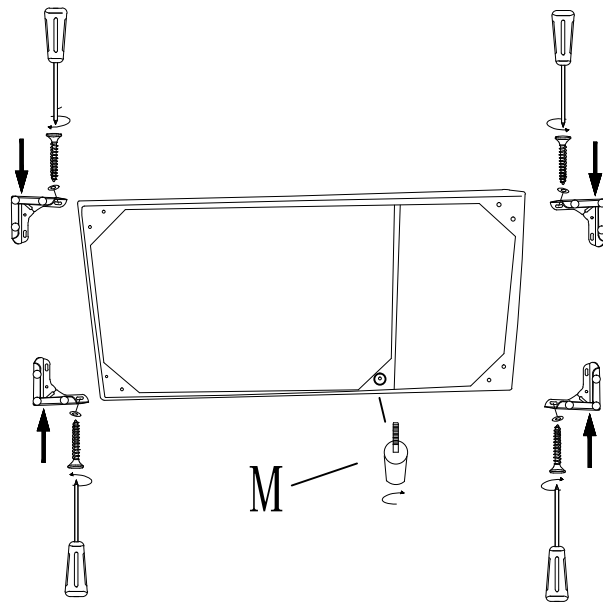
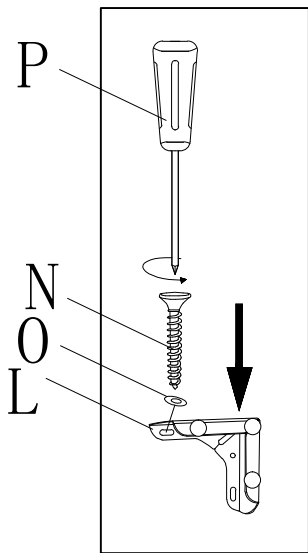
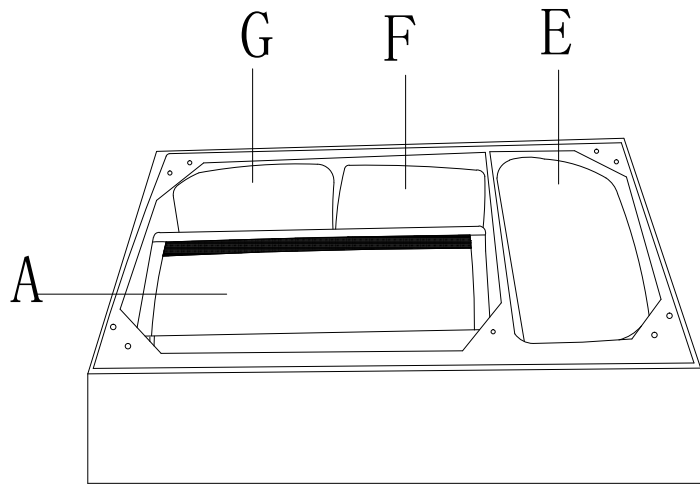
Φ6\*18\*T1mm

## Px1

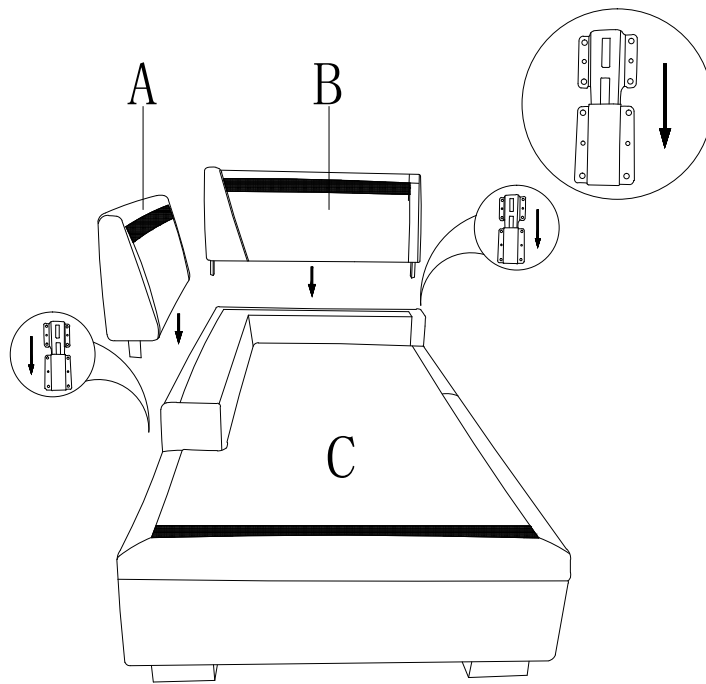


## 3/11

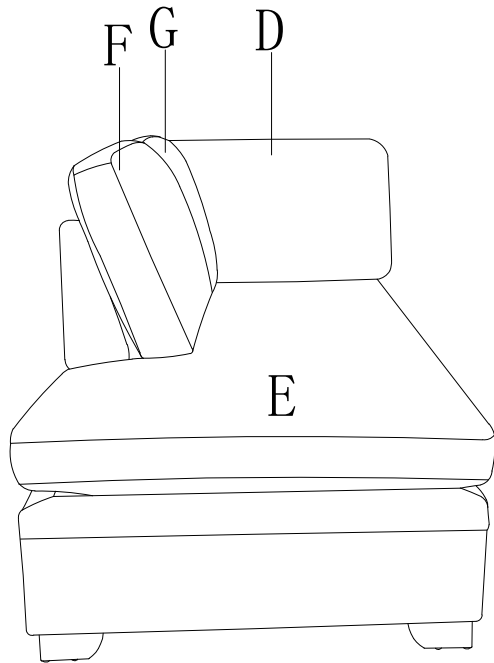
1



2

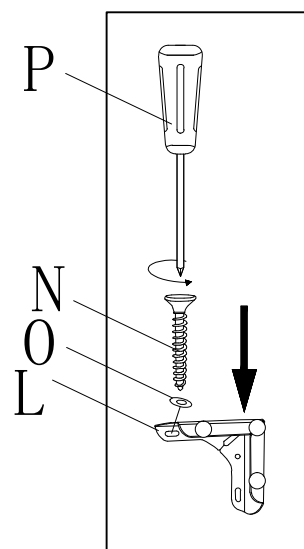
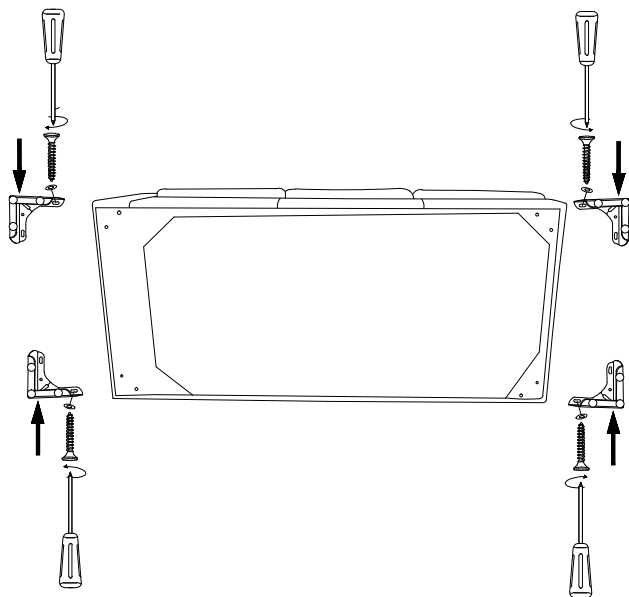
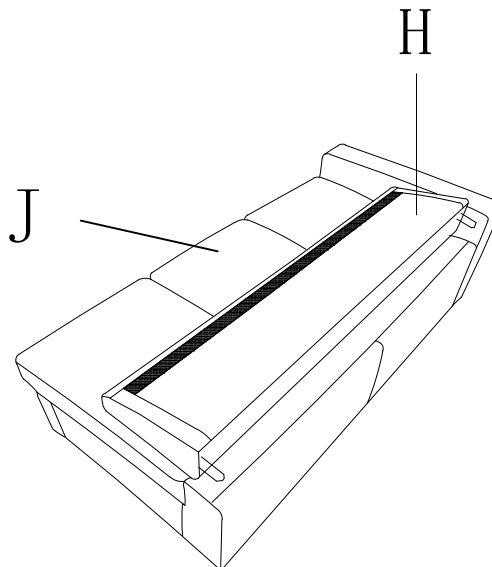
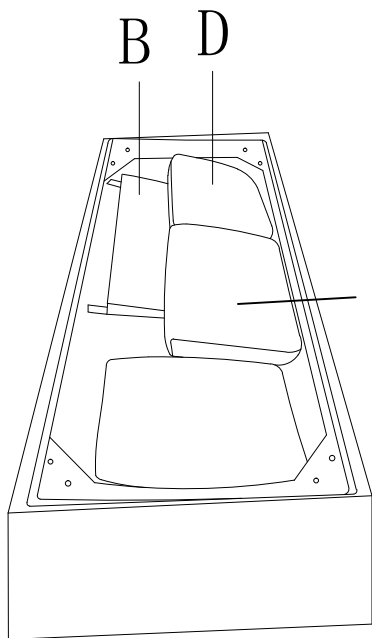


3

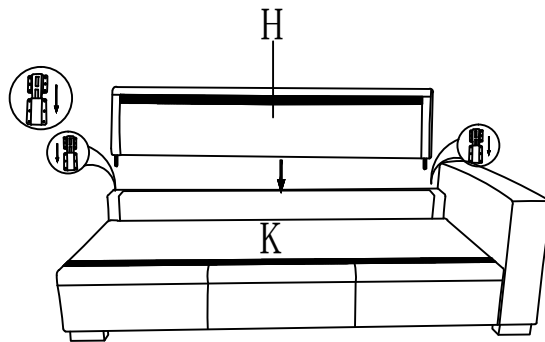


6/11

4

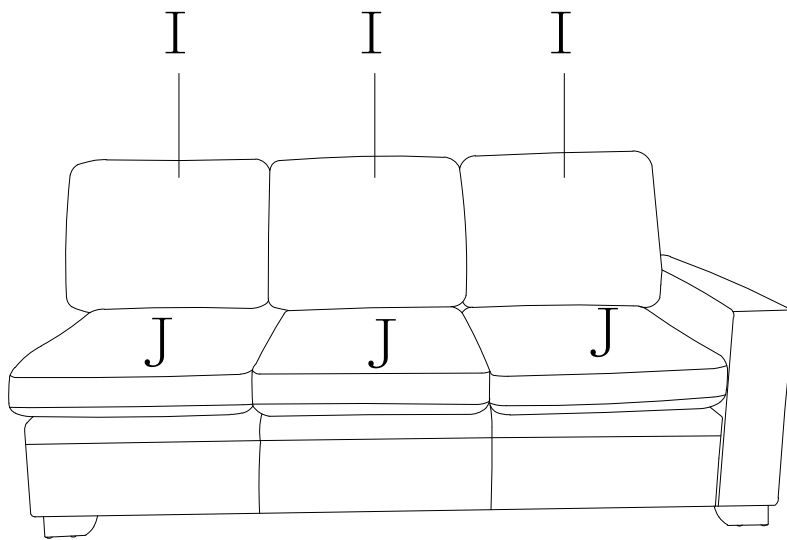


5



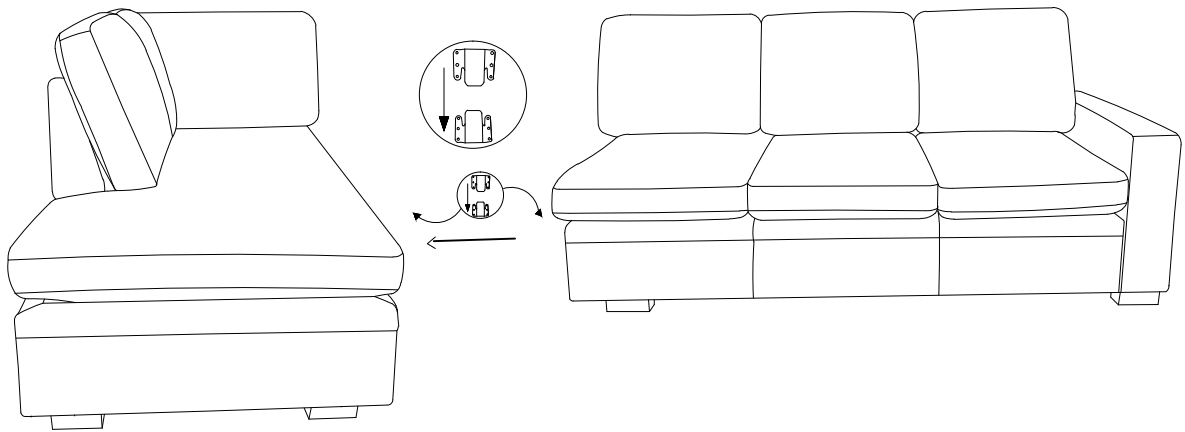
8/11

6



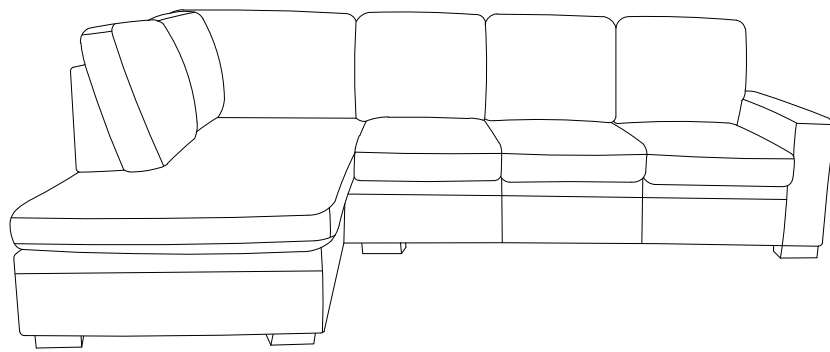
9/11

7



10/11

8



11/11