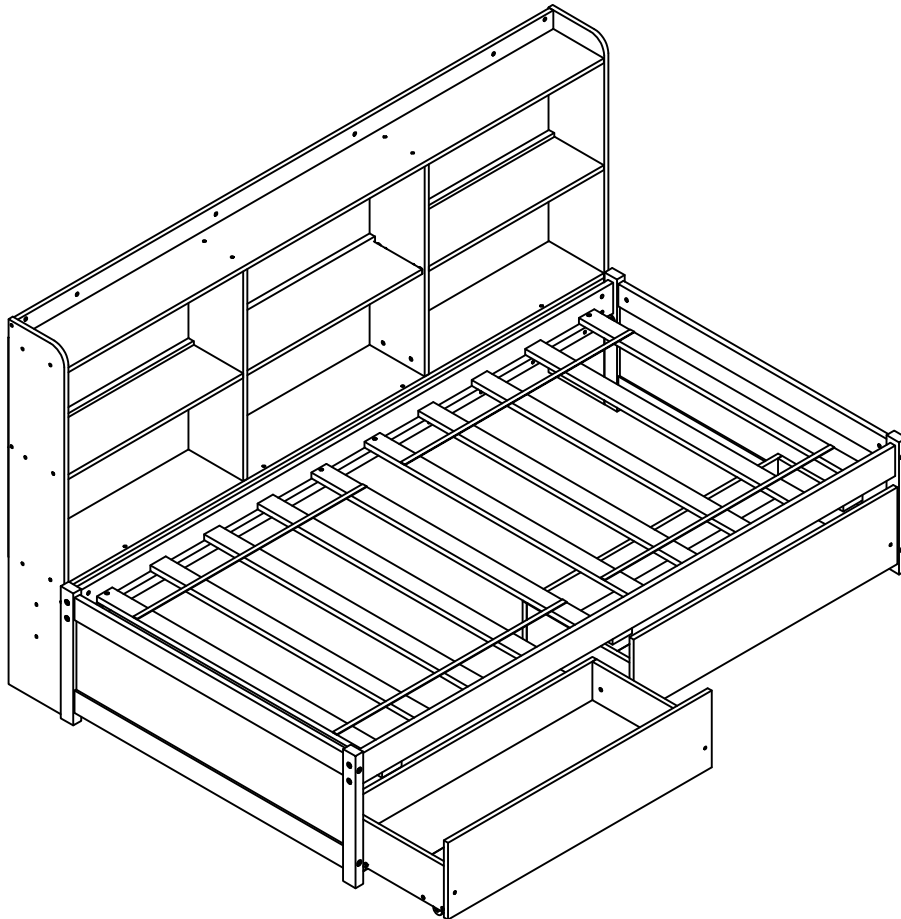


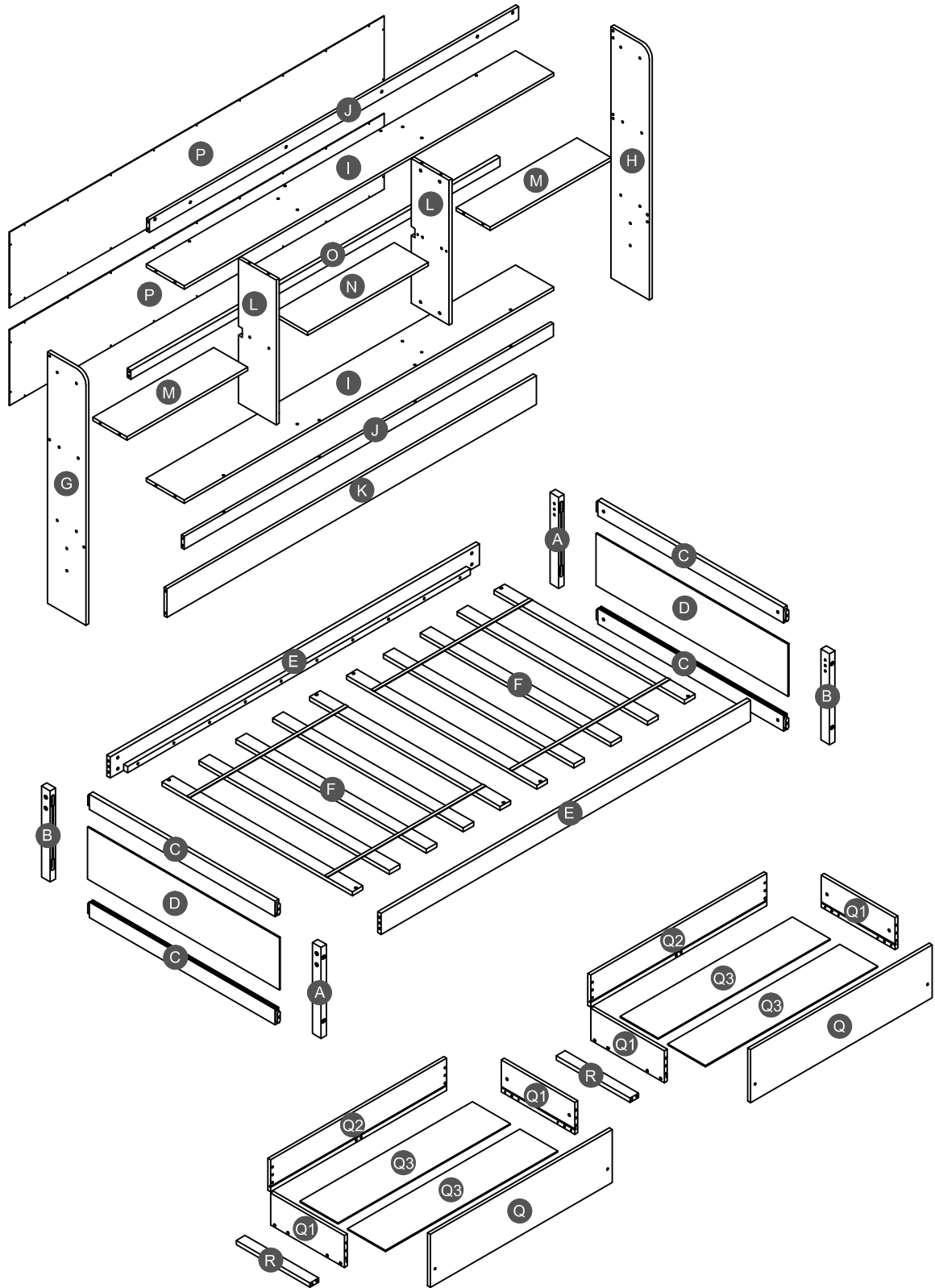
ASSEMBLY INSTRUCTIONS

TWIN BED WITH SIDE BOOKCASE, 2 DRAWERS



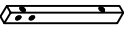

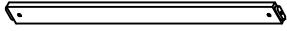

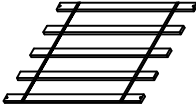
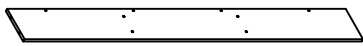

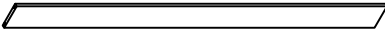


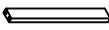
DN33751

Detail View



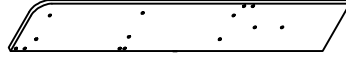
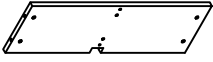
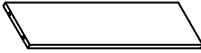
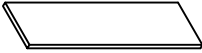
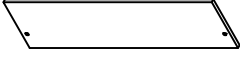
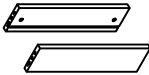




Part List

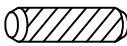
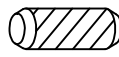
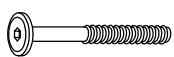
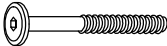


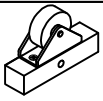

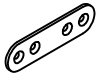

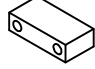




DN33751 (1-2)

A  Leg (Left Front/Right Back) - 2pcs	B  Leg (Left Back/Right Front) - 2pcs	C  Horizontal bar HB & FB - 4pcs
E  Side rail - 2pcs	F  Slats - 2sets (5pcs/set)	I  Shelf panel - 2pcs
J  Horizontal bar (Back) - 2pcs	K  Lower horizontal bar - 1pc	O  Divider horizontal bar (Back) - 1pc
P  Back panel - 2pcs	R  Support drawer - 2pcs	

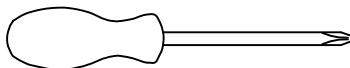
Hardware List DN33751 (2-2)

D  Side panel HB & FB - 2pcs	G  Side panel (Left) - 1pc	H  Side panel (Right) - 1pc
L  Divider panel - 2pcs	M  Shelf panel (Left/Right) - 2pcs	N  Adjustable shelf - 1pc
Q  Front drawer panel - 2pcs	Q1  Left / right drawer panel - 4pcs	Q2  Back drawer panel - 2pcs
Q3  Drawer bottom - 4pcs		

Hardware List DN33751 (2-2)

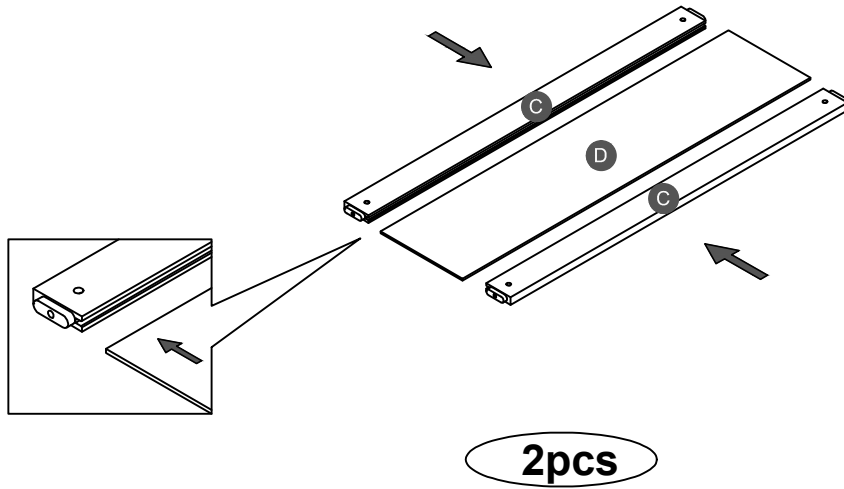
1	 Ø8*30mm Wood dowel (34pcs)	2	 Ø10*20mm Wood dowel (8pcs)	3	 (Ø15)1/4"*80mm Hex-Head bolts (16pcs)
4	 (Ø12)1/4"*60mm Hex-Head bolts (50pcs)	5	 1/4"*15 (9.5mm) Horizontal-Hole bolts(66pcs)	6	 Ø4*30mm Wood screws (30pcs)
7	 100*54*20 mm Wheels (8pcs)	8	 (1/4")4.5*58mm Allen key (1pc)	9	 75*20*2 mm Metal bracket (4pcs)
10	 Ø3.5*15mm Wood screws (62pcs)	11	 70*35*19 mm Drawer stopper (3pcs)	12	 29*16*14mm Shelf pin (4pcs)
13	 Ø4*38mm Wood screws (2pcs)	14	 Ø9*32mm Plastic anchor (2pcs)	15	 58*16*16*(1.5mm) Metal bracket (2pcs)

ASSEMBLY TOOLS REQUIRED (NOT INCLUDED)





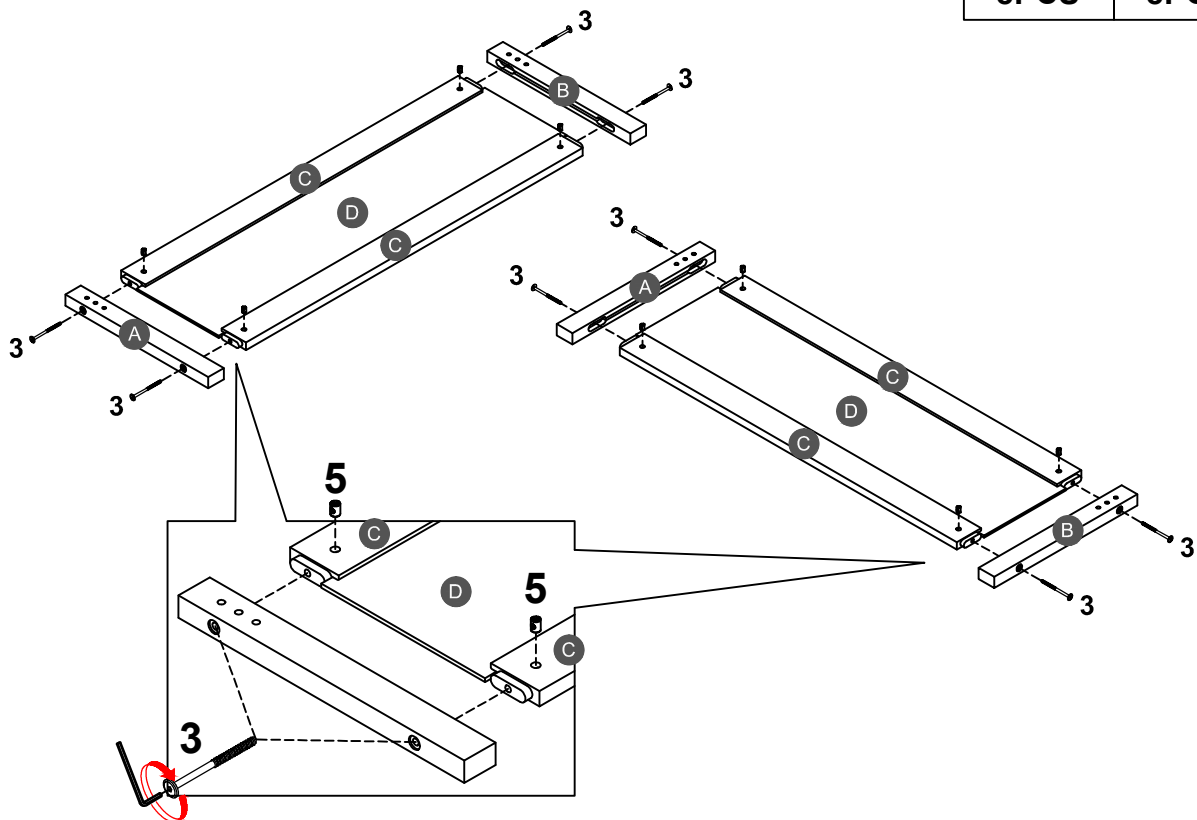
PLEASE BE CAREFUL DO NOT DAMAGE THE HOLE POSITION WHEN YOU USE POWER TOOLS !

STEP 1:

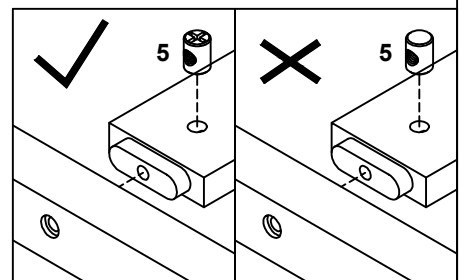


STEP 2:



3		5	
8PCS		8PCS	

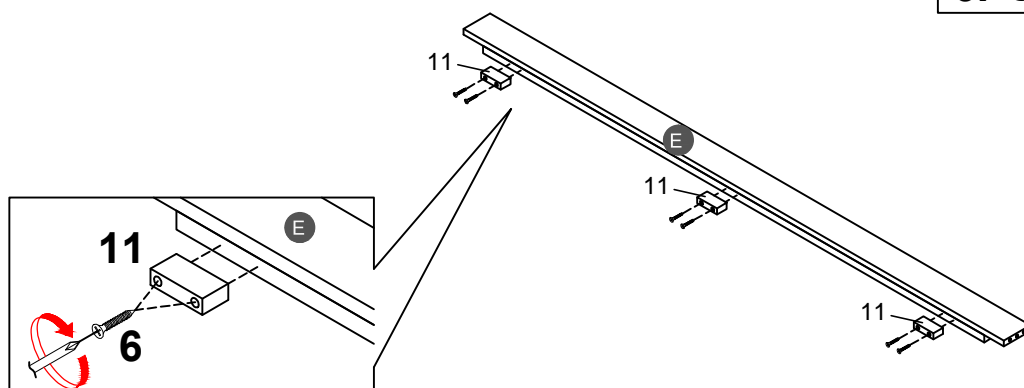


Note: Part 5 will face up with the "x" mark on it, otherwise it cannot be tightened






STEP 3:

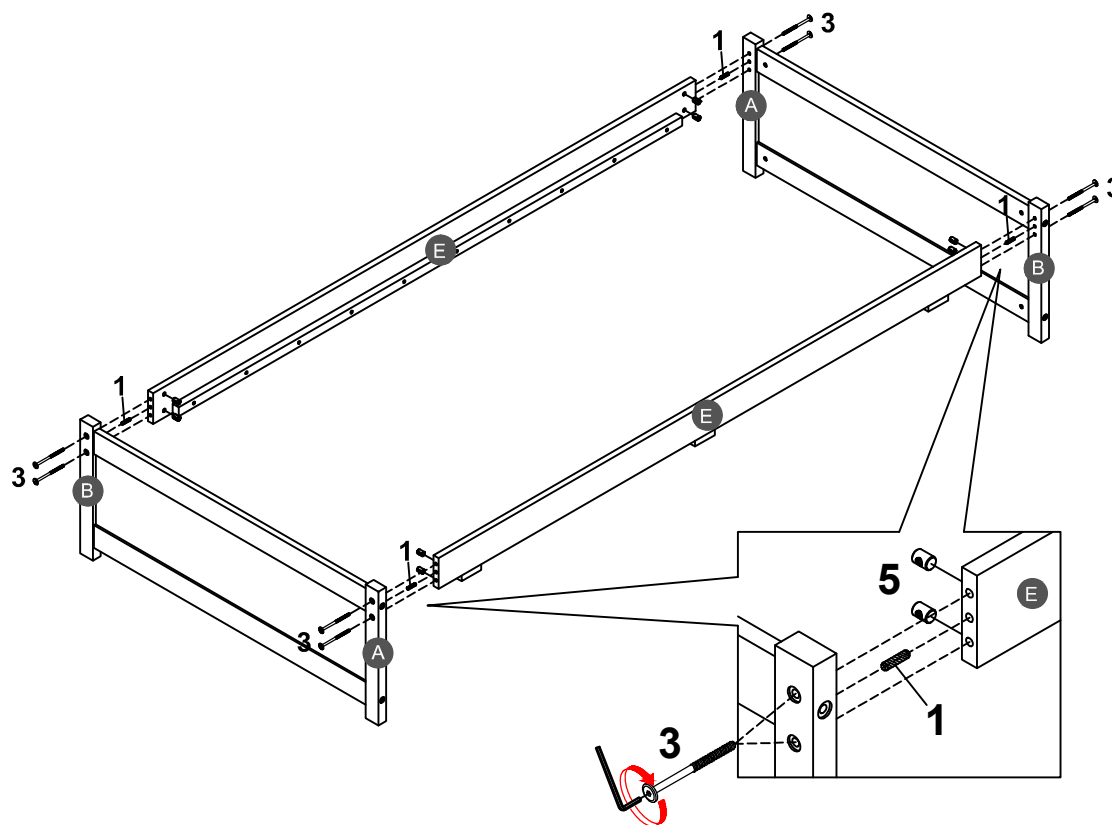
6 	11 
6PCS	3PCS



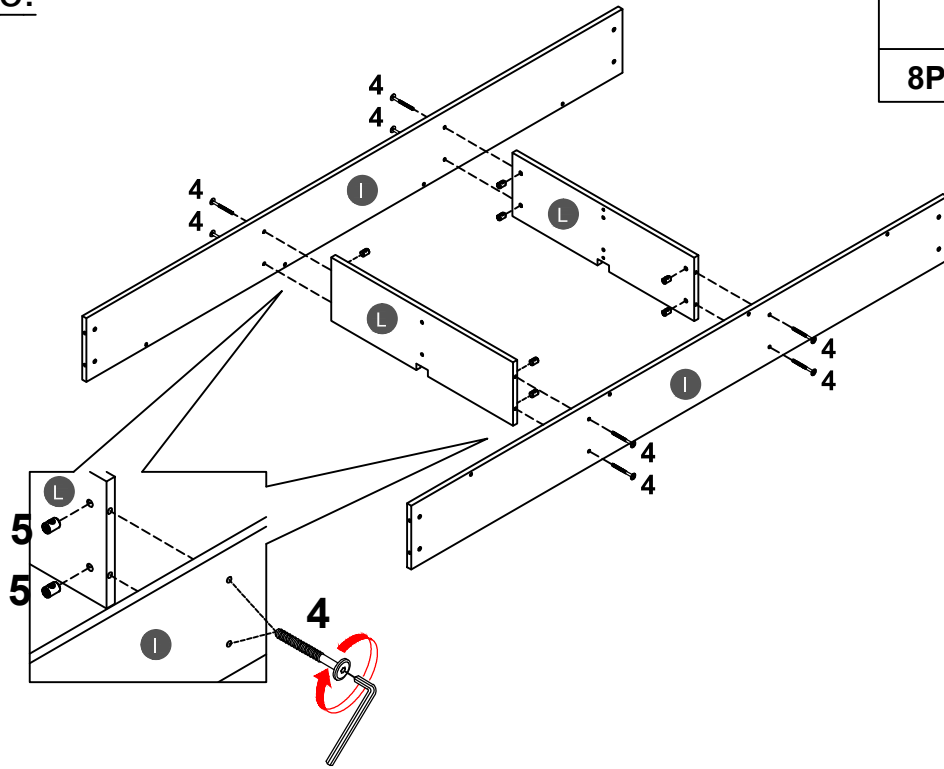
Drawer stopper (11) with lower side rail front (E) by using screw (6).



STEP 4:

1 	3 	5 
4PCS	8PCS	8PCS

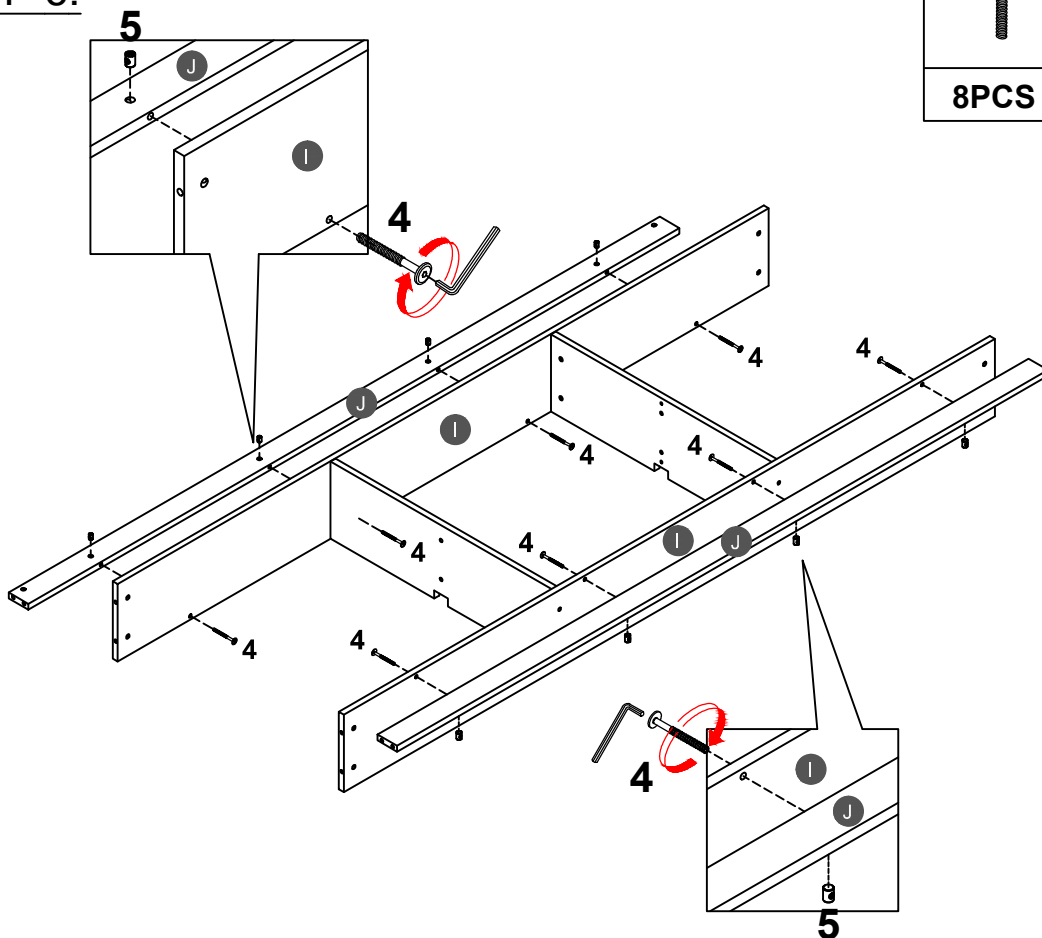




STEP 5:



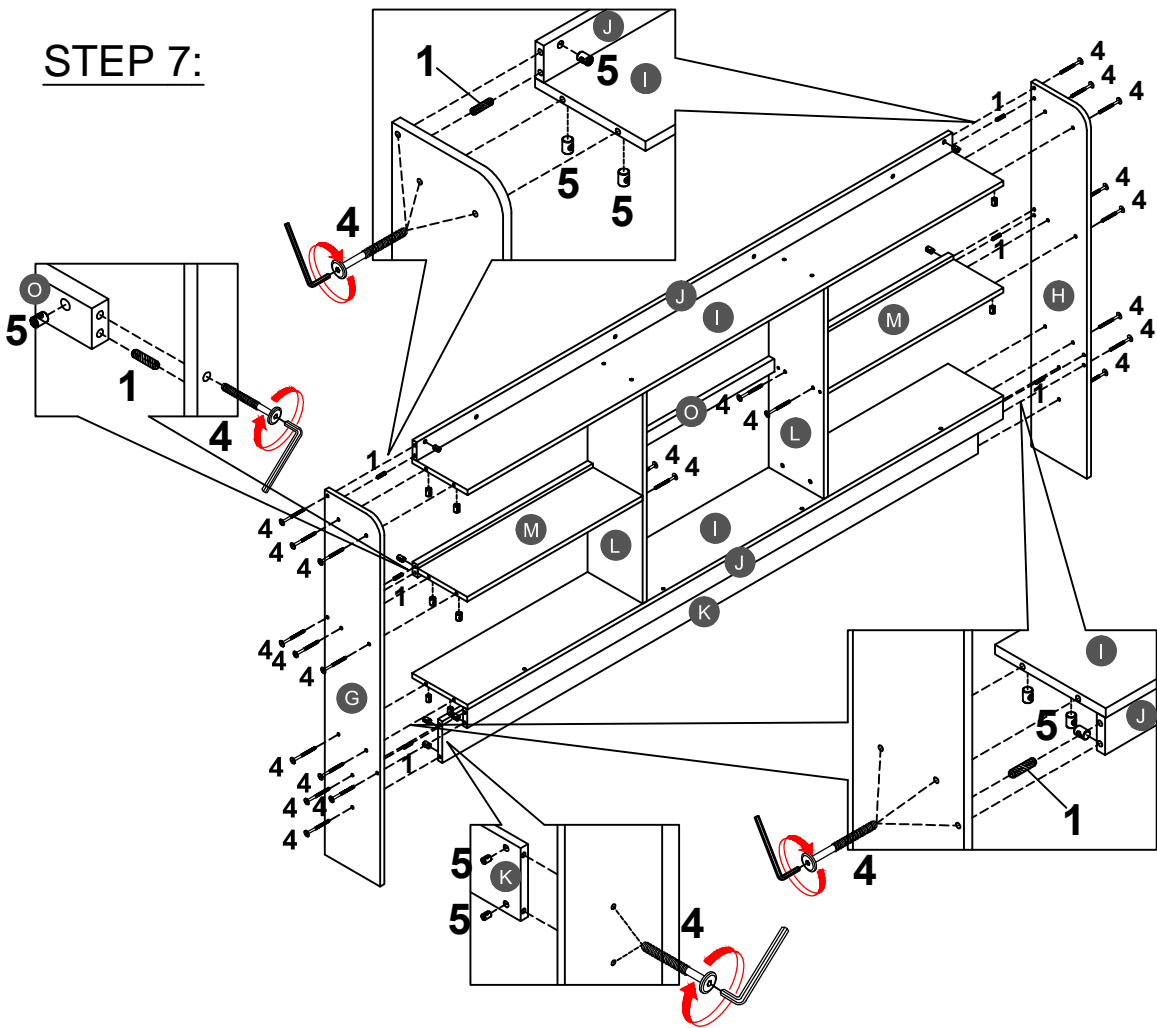
4		5	
8PCS		8PCS	




STEP 6:



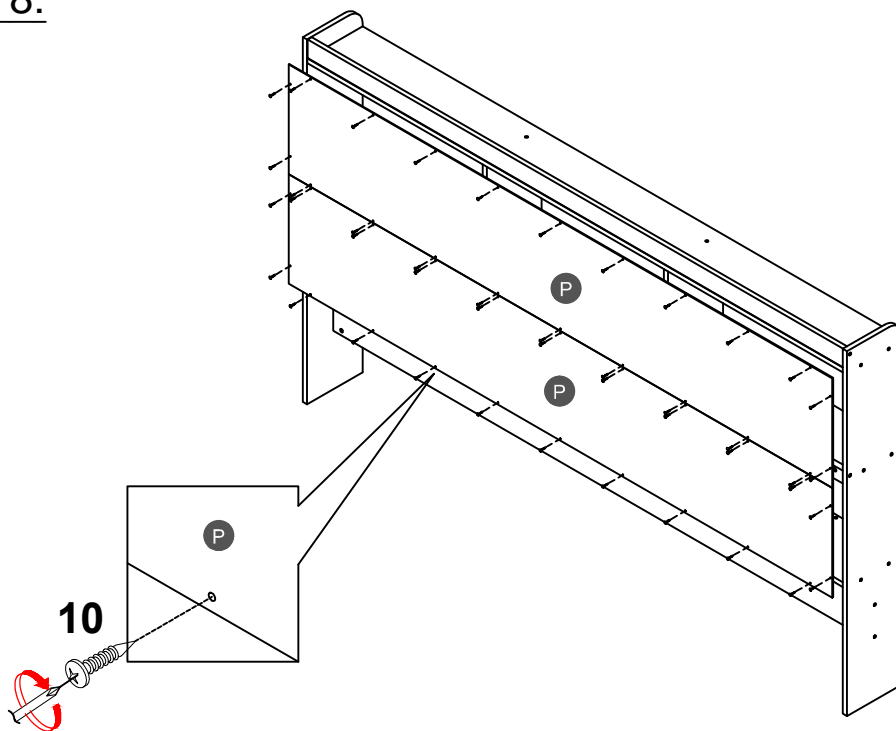
4		5	
8PCS		8PCS	


STEP 7:



1	
6PCS	
4	
26PCS	
5	
26PCS	

STEP 8:



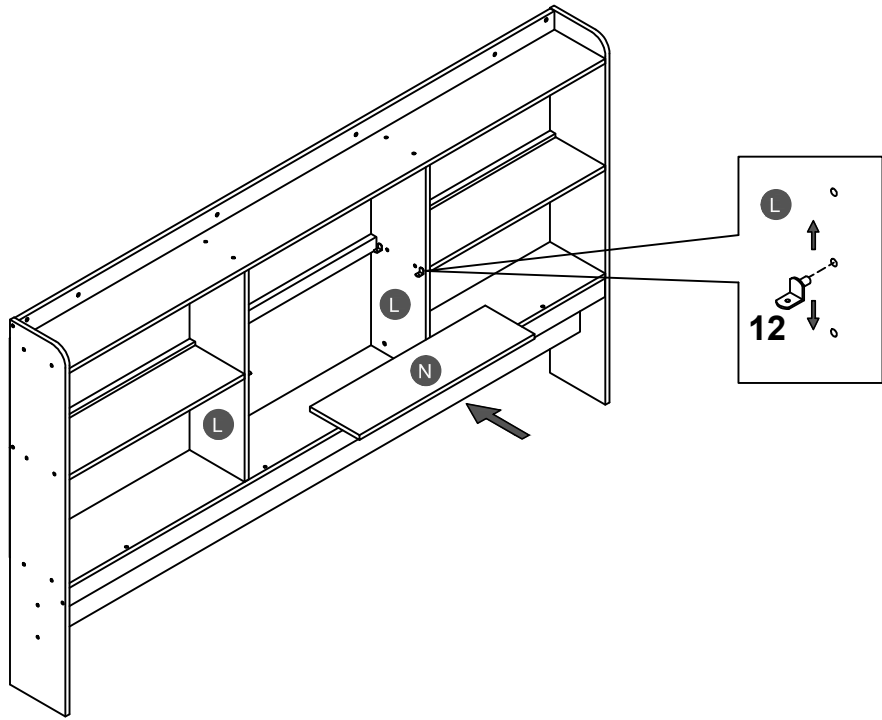
10	
44PCS	

STEP 9:

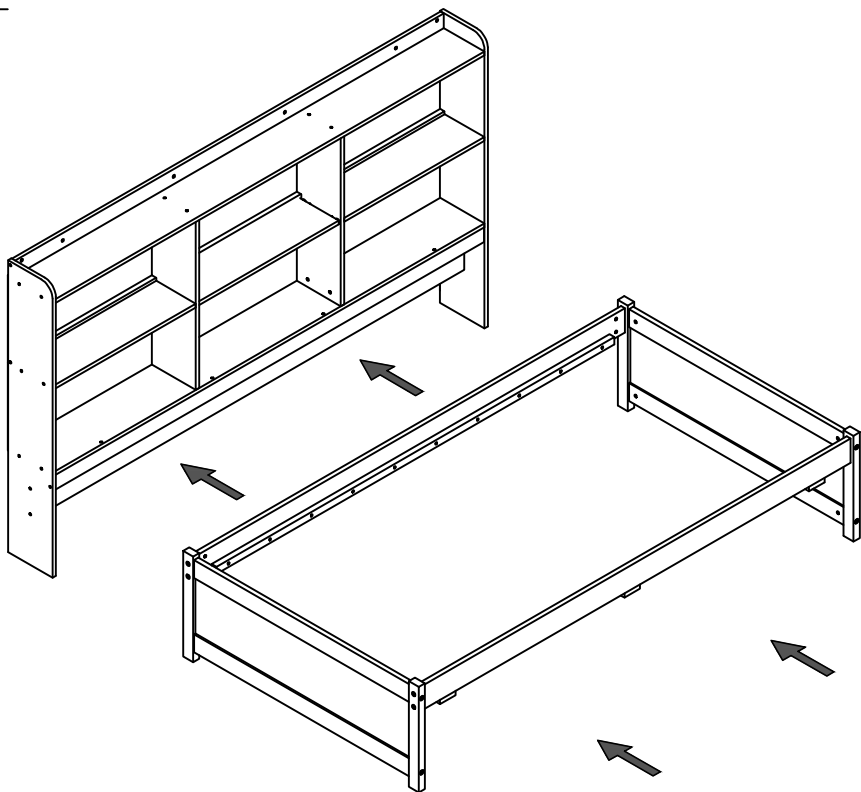
12



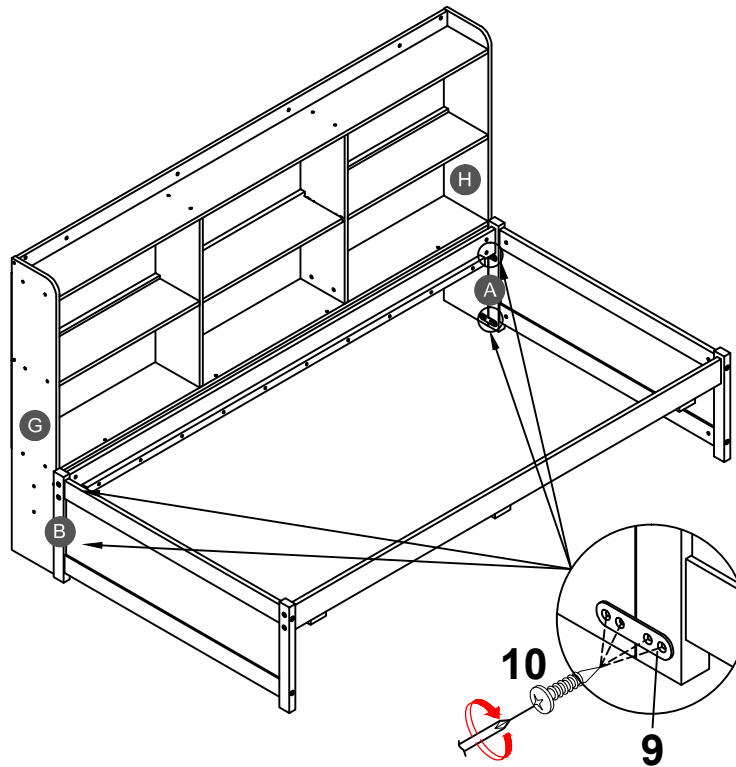
4PCS



STEP 10:

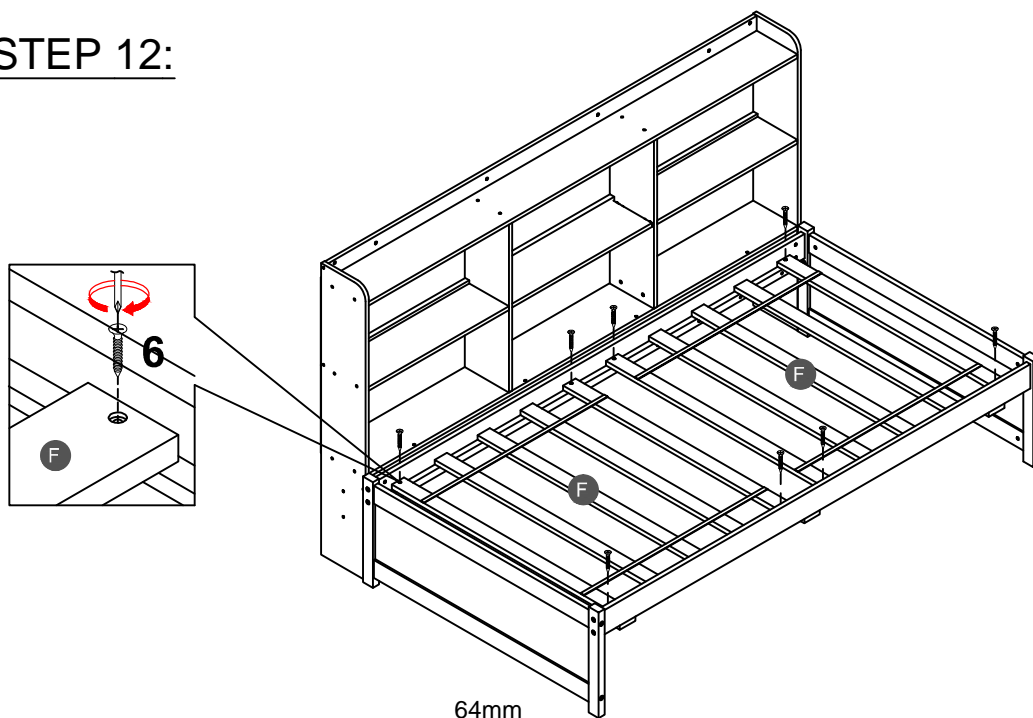


STEP 11:

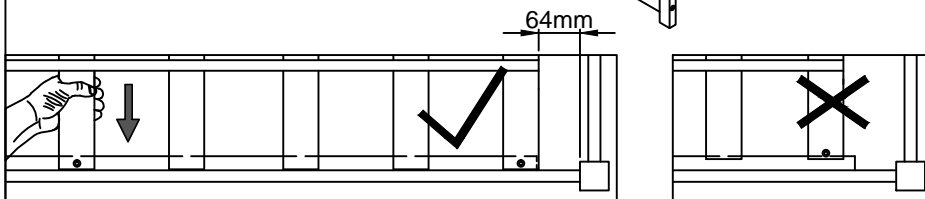


9		10	
4PCS		16PCS	

STEP 12:






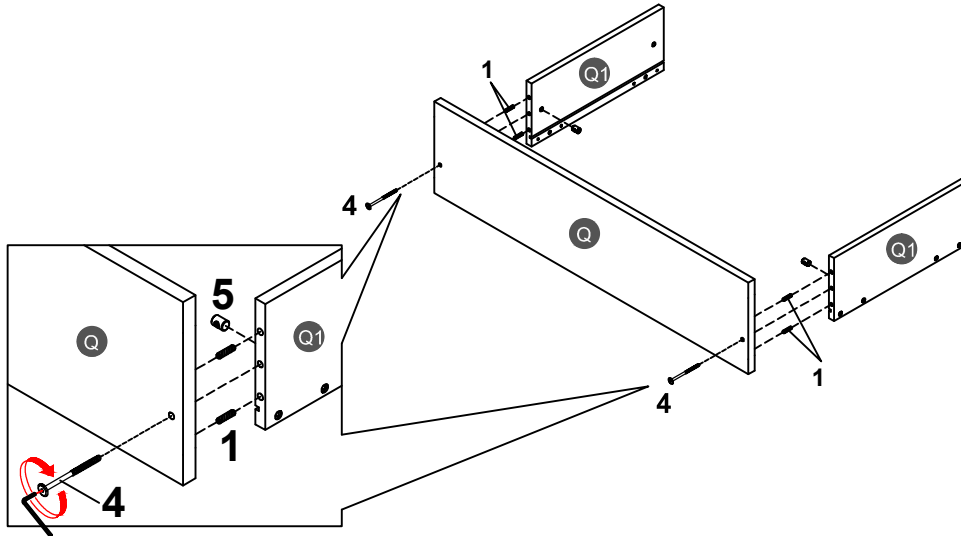
6	
8PCS	



Note: Do not lock the screws of the bed slats to the outermost edge of the bed slats, you need to leave a certain space at the edges, otherwise it will cause the board to break. Do not lock the bed slats on the edge of the wood, please hold firmly before screwing, hold it in place with one hand, then lock the screw.




STEP 13:

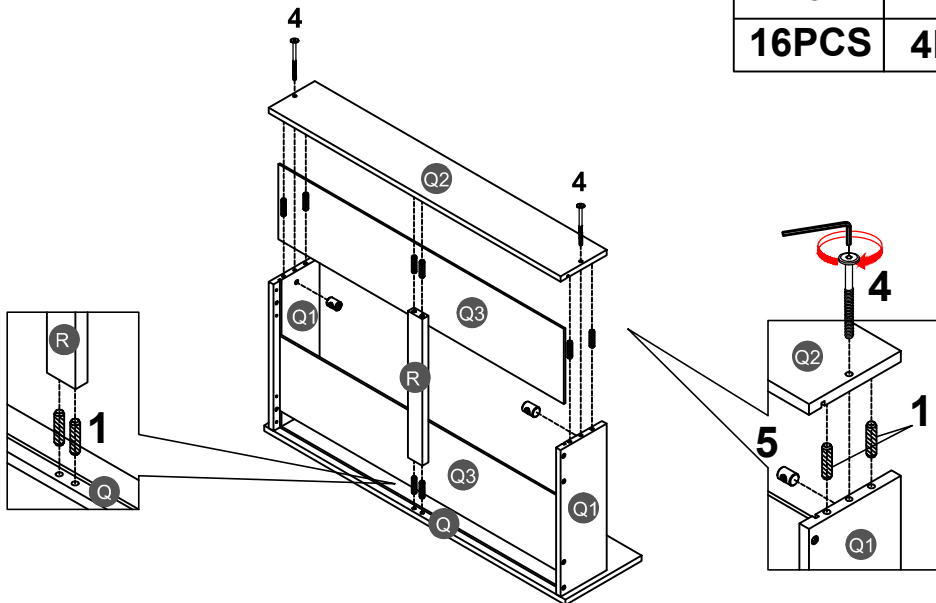
1		4		5	
8PCS		4PCS		4PCS	



2pcs




STEP 14:

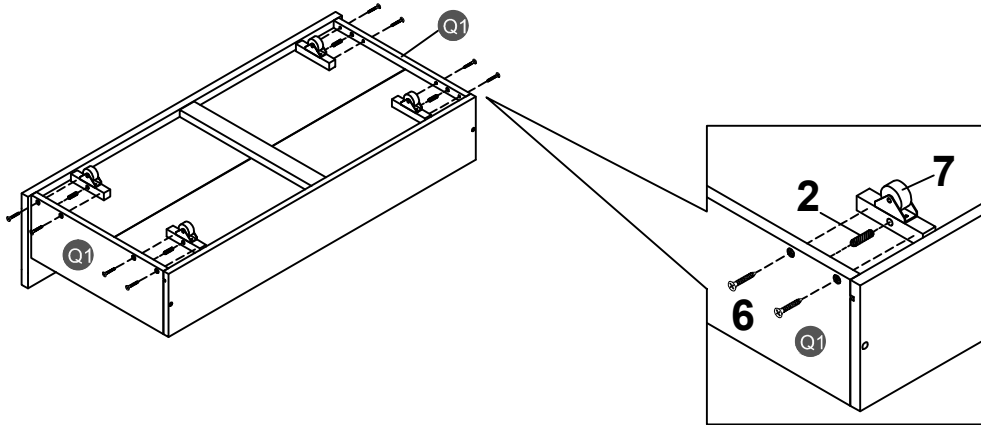
1		4		5	
16PCS		4PCS		4PCS	



2pcs

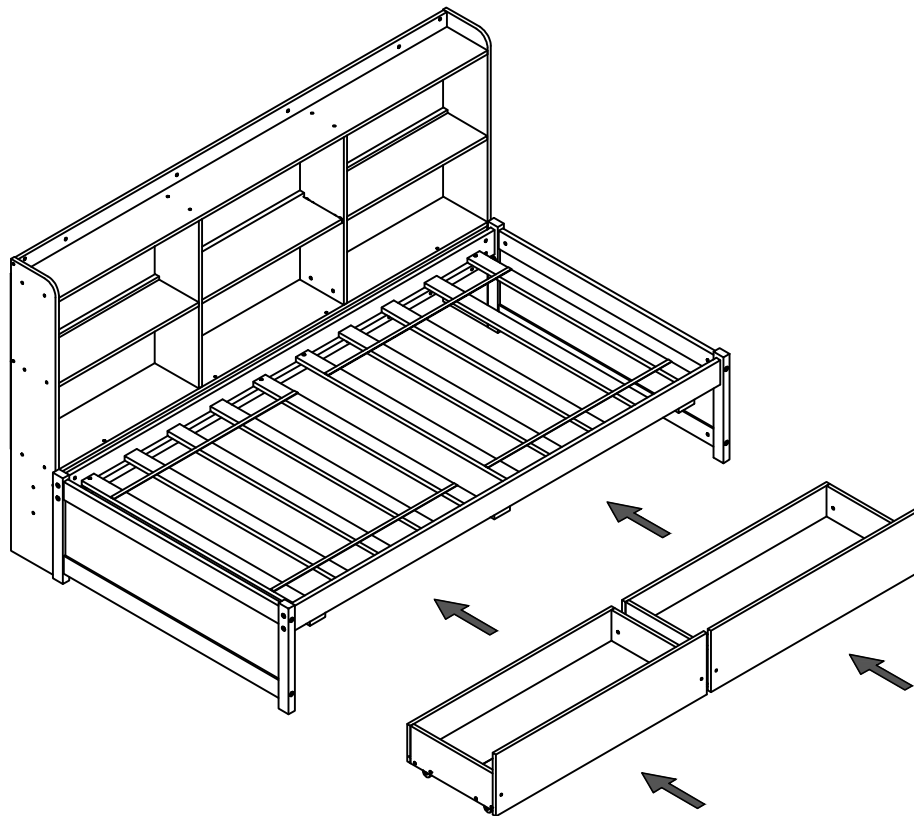
STEP 15:

2 	6 	7 
8PCS	16PCS	8PCS



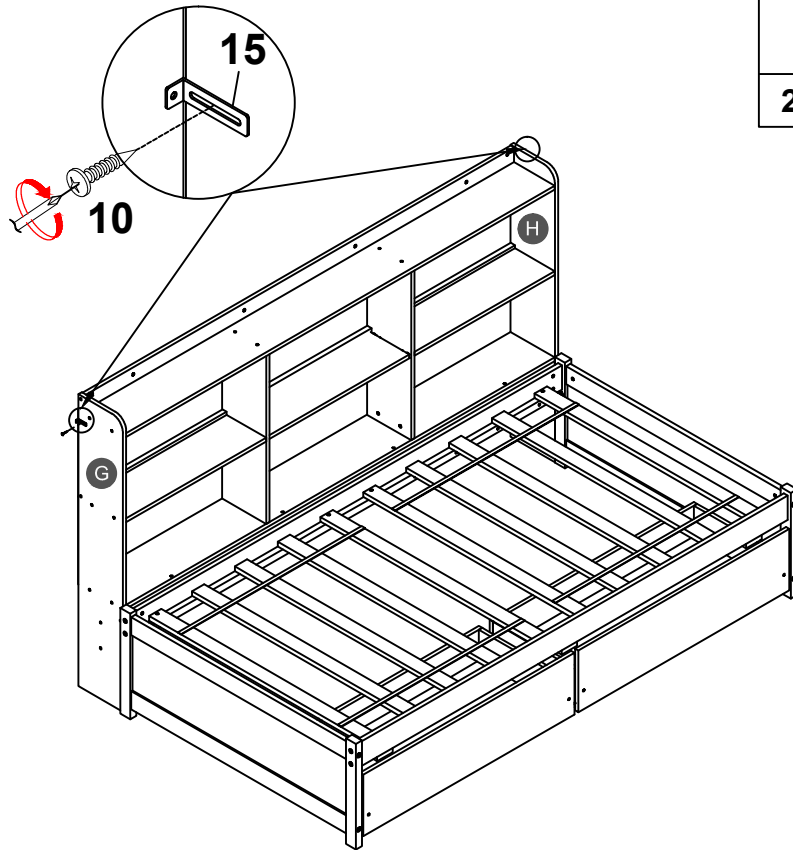
2pcs



STEP 16:



Push Drawer under the bottom of Bunk Bed.

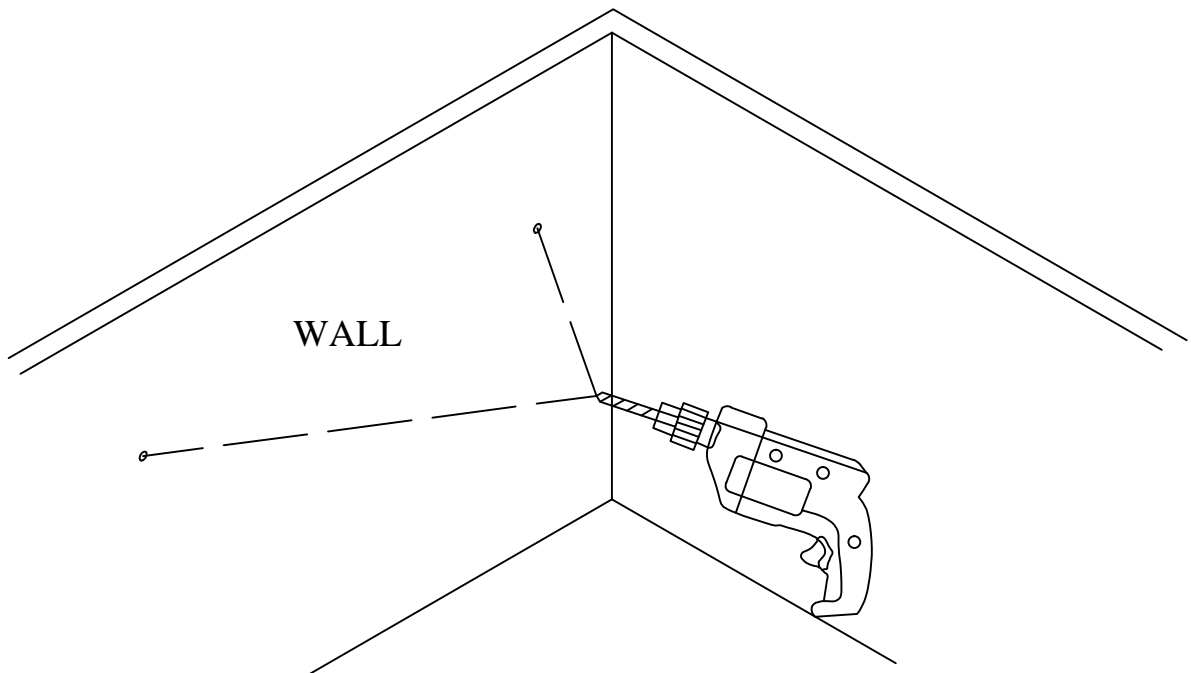
STEP A:



10		15	
2PCS		2PCS	

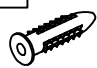
Installing the Anti-Tip Bracket.

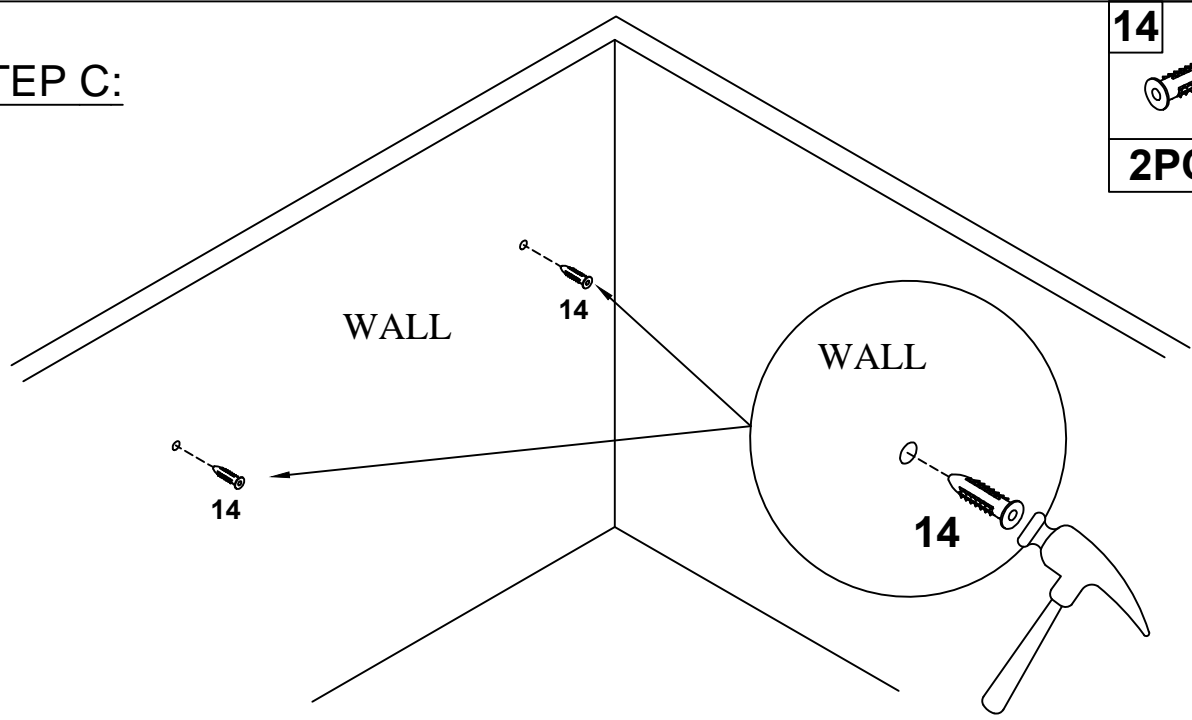
STEP B:



Drill holes in the wall.


STEP C:

14

2PCS



Tap plastic anchor in with a hammer or mallet.

STEP D:

13

2PCS

