

ASSEMBLY INSTRUCTION

DESCRIPTION : 3 DOOR SHOE CABINET

HARDWARE



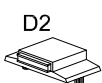
CB SCREW M3.5X16MM 1X26



CB SCREW M4X38MM 1X6



NAIL 5/8 1X23



3.5 KG MAGNET (1 HOLE) 3 SETS



PVC SHELF SUPPORT 1X16



DOOR SUPPORT SPRING 1X3



MAS R4 1X1

MAS L4 1X2



ROUND PLASTIC LEG (PVC) 1X5



MINIFIX 5654+5546 6 SETS



HANDLE 5022 (METAL) 1X3



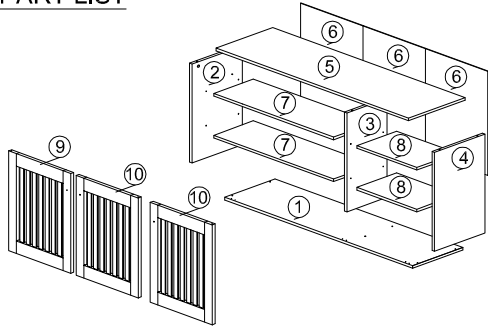
HANDLE SCREW M4X22MM 1X3



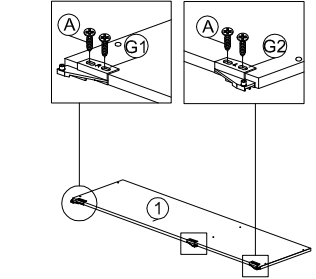
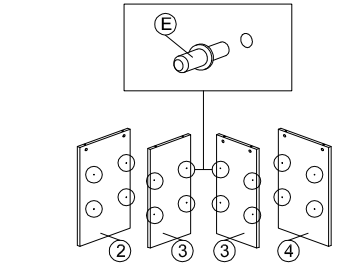
L-KEY 1X1

PART LIST

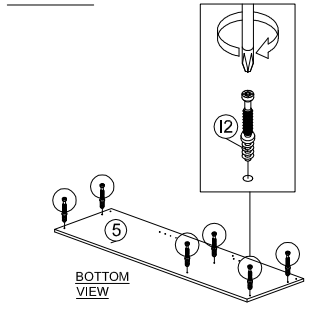
STEP 1



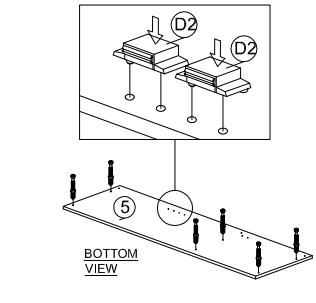
STEP 2



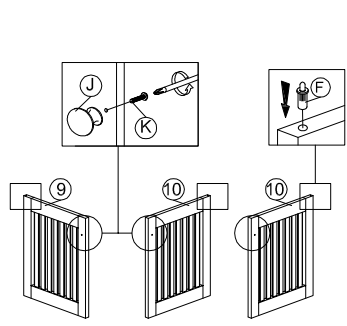
STEP 3



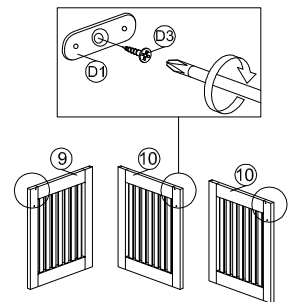
STEP 4



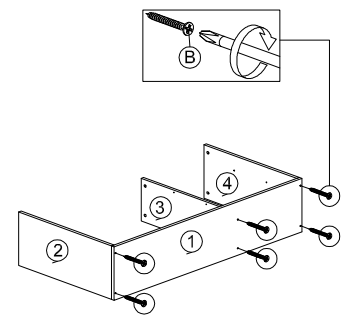
STEP 5



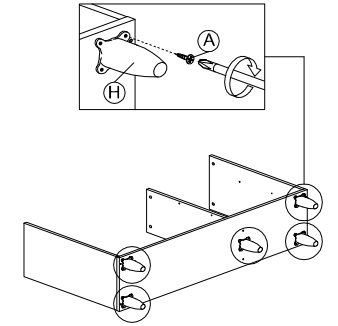
STEP 6



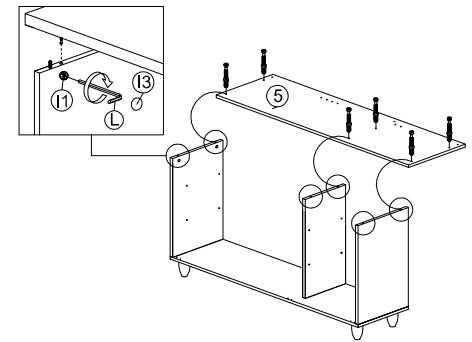
STEP 7



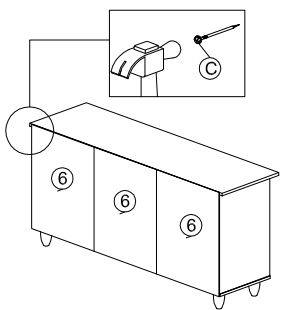
STEP 8



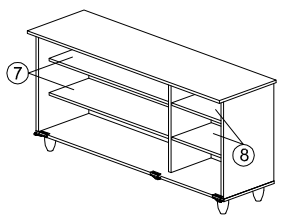
STEP 9



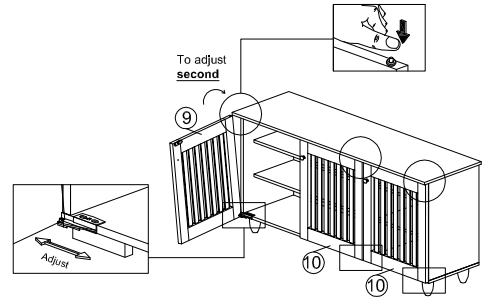
STEP 10



STEP 11



STEP 12



COMPLETED

