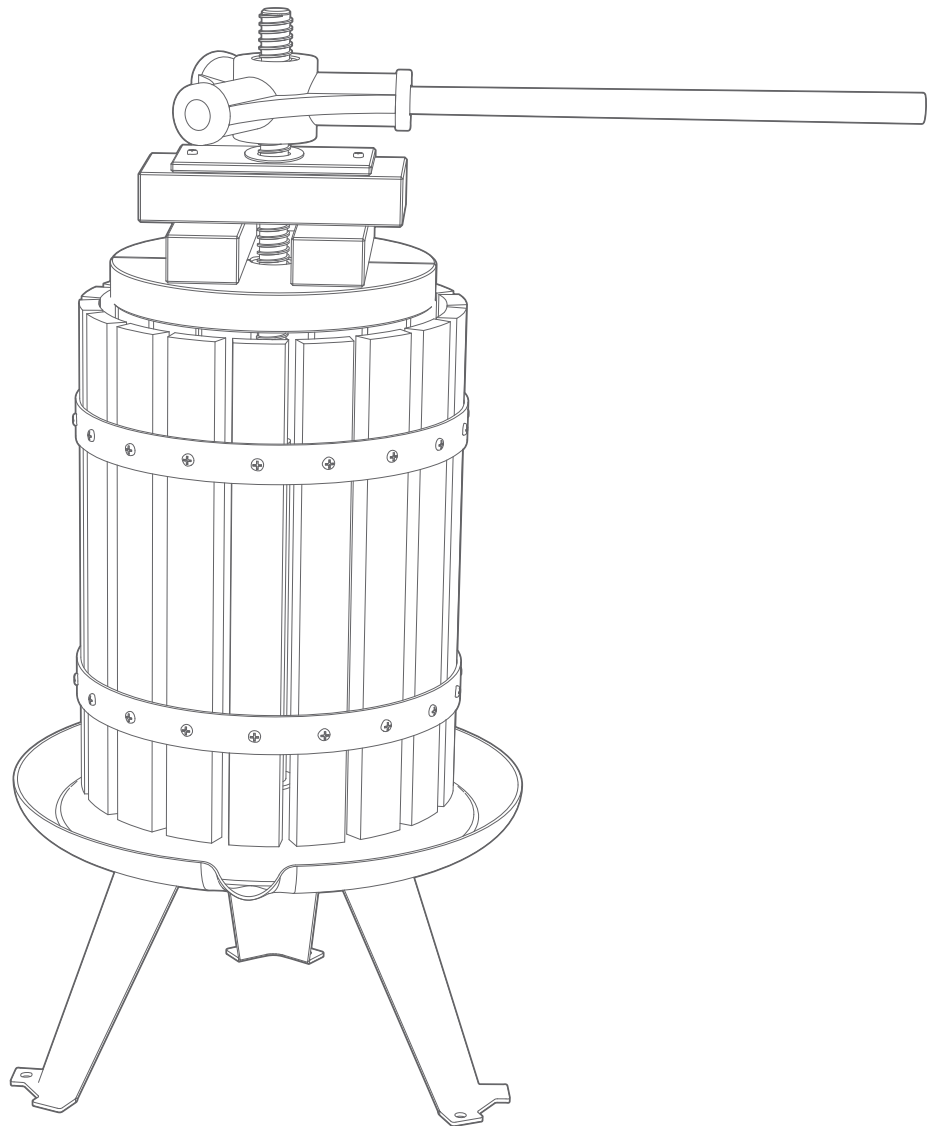


Fruit Press

INSTRUCTION MANUAL



DEAR CUSTOMER,

Thank you for choosing our product. Please read this manual carefully before assembling or using the product, to avoid damage caused by improper use. Please pay special attention to the safety instructions. If the product is passed on to third parties, this manual has to be passed on along with the product.



WARNING

- Read through the manual before assembly and use to avoid unnecessary personal injury or property damage. Save the manual for future reference.
- Keep the working area clean and dry to avoid slipping or press movement!
- Hard fruits must be crushed before pressing.
- Secure the legs to the floor before pressing, if required, to prevent it from moving.
- Do not reach into the press with your hand while you start pressing.
- Wash the parts with warm water after pressing and allow them to dry completely before storing the press in a dry, well-ventilated place.
- If it is not used for a long period of time, grease the spindle with edible oil.
- The edible oil on the spindle can be removed with common cleaning agents.
- Common rust removers can remove the rust from the metal surface if the press gets rusty.
- The wrench for the spindle nut M16 and the cross screwdriver for the fixing screws are not included in the delivery.

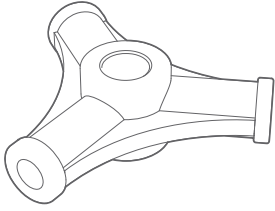
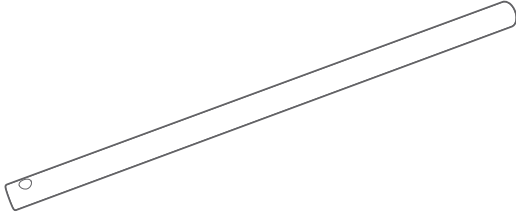
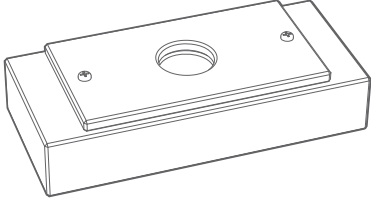
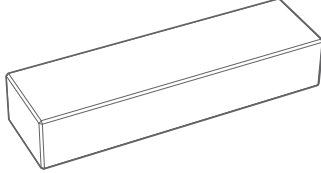
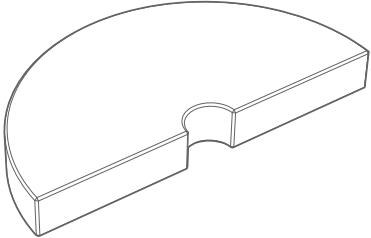
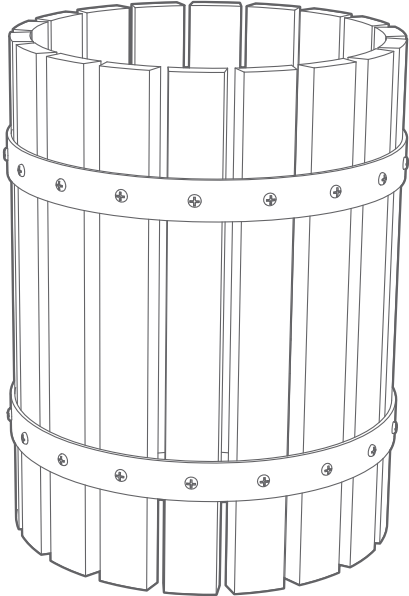
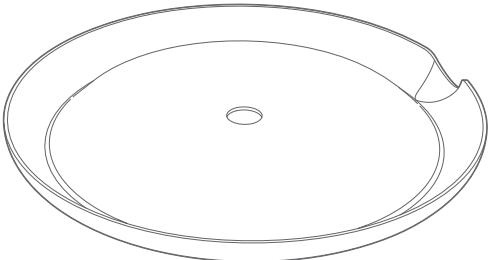
PRODUCT DESCRIPTION

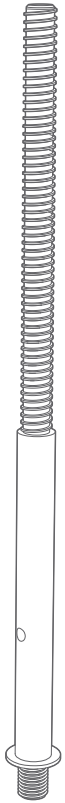
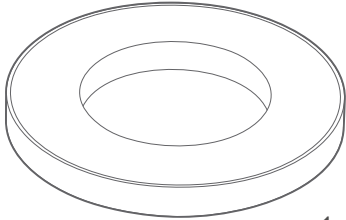
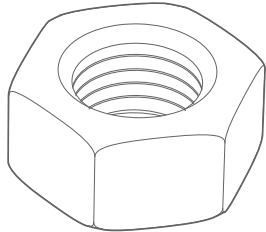
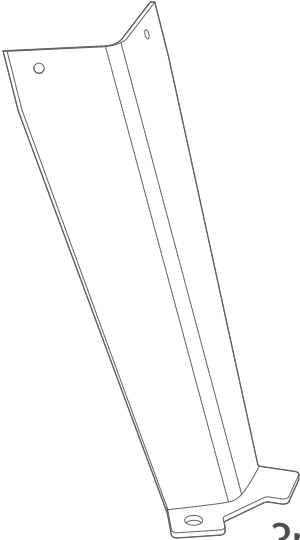
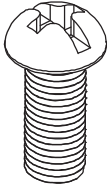
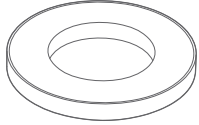
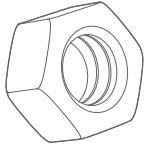
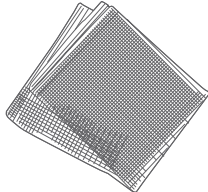
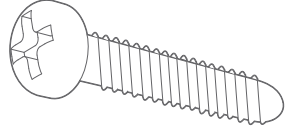
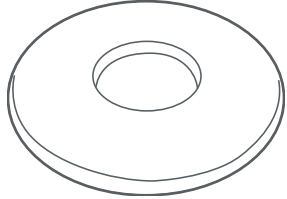

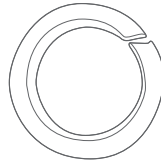
The wood basket press is a device used to extract juice from fruits (most often grapes). It consists of oak wood and coated metal. In addition, its huge volume allows you to press the maximum amount of fruit at one time. The provided filter bag prevents the peel, pulp or other contaminants from being mixed with the wine or juice.

TECHNICAL DATA

Materials	oak + iron		
Capacity	6 l	12 l	18 l
Size	45x28x60 cm	50x38x60 cm	60x38x71 cm

PARTS LIST

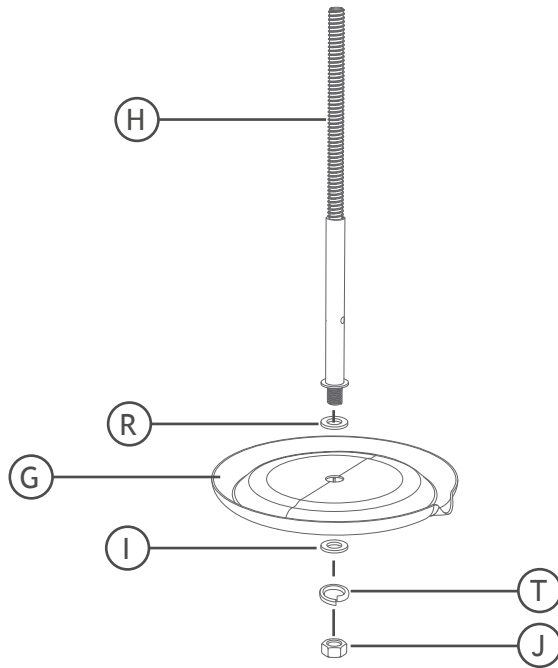
<p>A</p>  <p>1pc</p>	<p>B</p>  <p>1pc</p>
<p>C</p>  <p>1pc</p>	<p>D</p>  <p>8pcs</p>
<p>E</p>  <p>2pcs</p>	<p>F</p>  <p>1pc</p>
<p>G</p>  <p>1pc</p>	

<p>H</p>  <p>1pc</p>	<p>I</p>  <p>1pc</p>	<p>J</p>  <p>1pc</p>
<p>O</p>  <p>3pcs</p>	<p>K</p>  <p>6pcs</p>	<p>L</p>  <p>9pcs</p>
<p>M</p>  <p>6pcs</p>	<p>P</p>  <p>2pcs</p>	<p>N</p>  <p>3pcs</p>
<p>R</p>  <p>2pcs</p>	<p>S</p>  <p>9pcs</p>	<p>T</p>  <p>1pc</p>

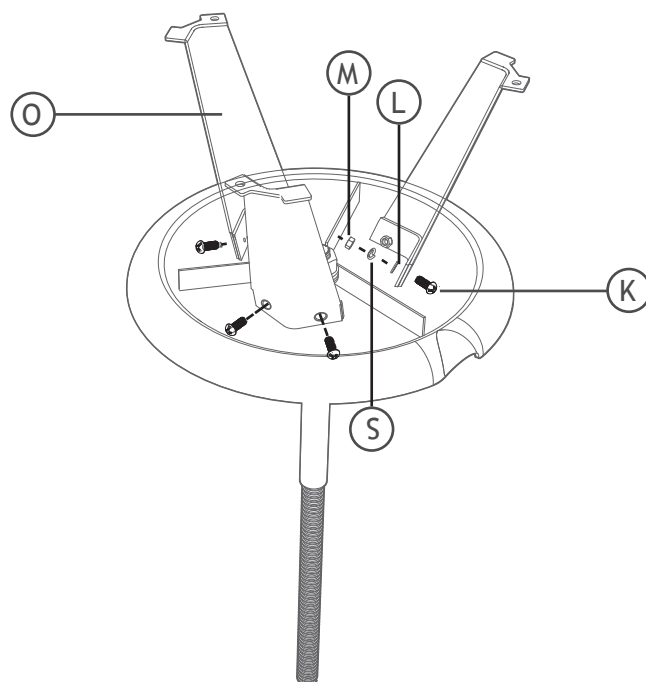
OPERATION

Attention: before use, it is important to clean and sanitize any parts that come in contact with the juice or wine.

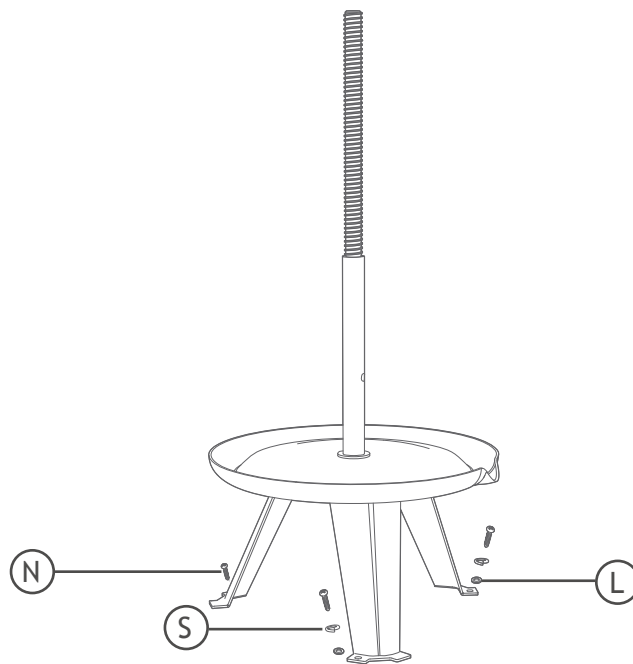
1. Insert the spindle (H) into the central hole of the collecting tray (G), secured with a washer (I) and a spindle nut (J). Ensure the spindle is properly tightened.



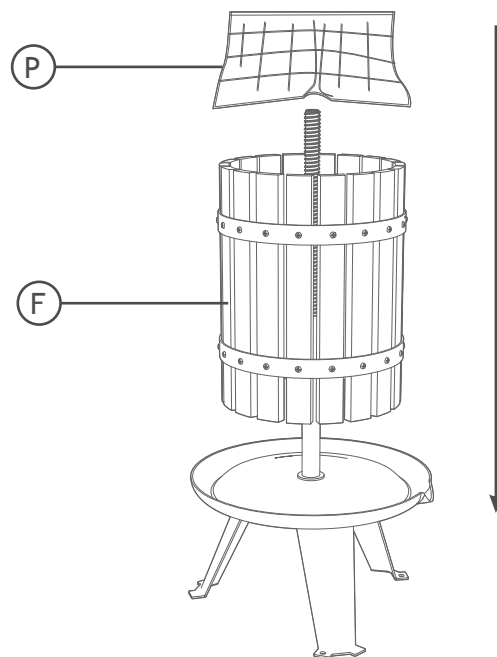
2. Attach the legs (O) to the curved plates under the tray, secured with screws (K), washers (L) and nuts (M). Use the provided wrench (Q) to secure the screws.



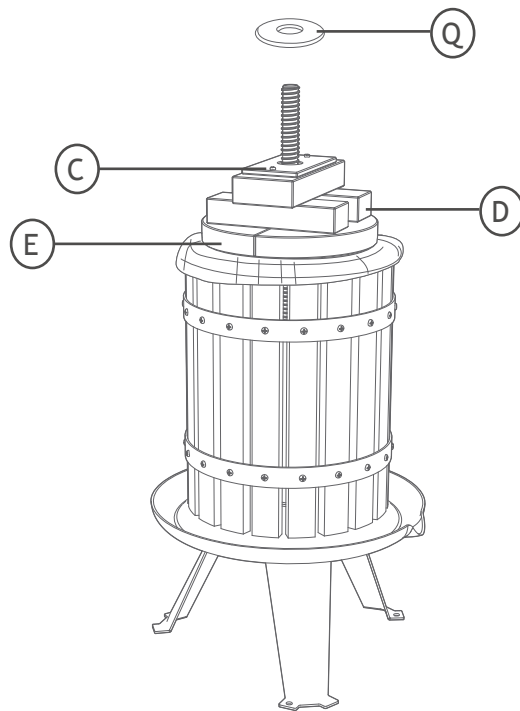
3. If necessary, fix the legs to the floor with the fixing screws (N) and washers (L), in order to make the press more stable.



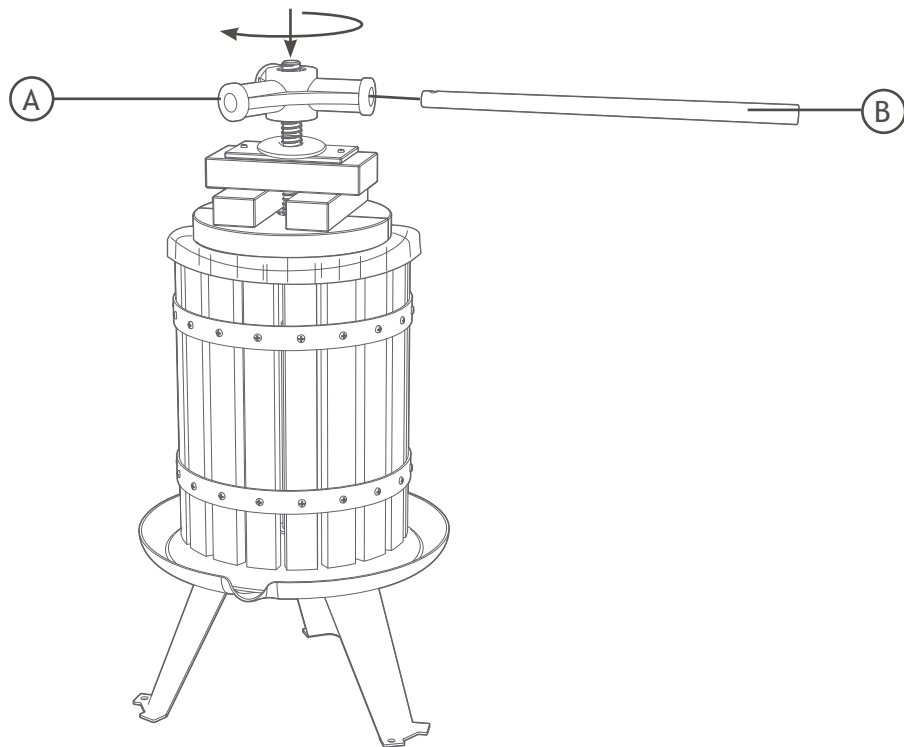
4. Mount the basket (F) on the tray and then line the basket with the filter bag (P).



5. Put the fruit to be pressed into the bag. Caution: hard fruit must be crushed before being pressed.
6. Place the semi-circle pressing plates (E) on the top of the fruit, followed by wood blocks (D) and rectangle pressing plate (C) placed at right angles to the previous ones.



7. Thread the angle iron (A) down the spindle and insert either end of the handle (B) into the opening of the iron.



8. Put a container (not included) under the spout of the tray to collect the juice or wine.
9. Start pressing by turning the handle clockwise.

Maintenance

Having completing the job, wash the parts with hot water. Store the press in a dry room for the pressing cage wood to dry well.

After a longer period of standstill, grease the bearings and metal surfaces with edible oil.