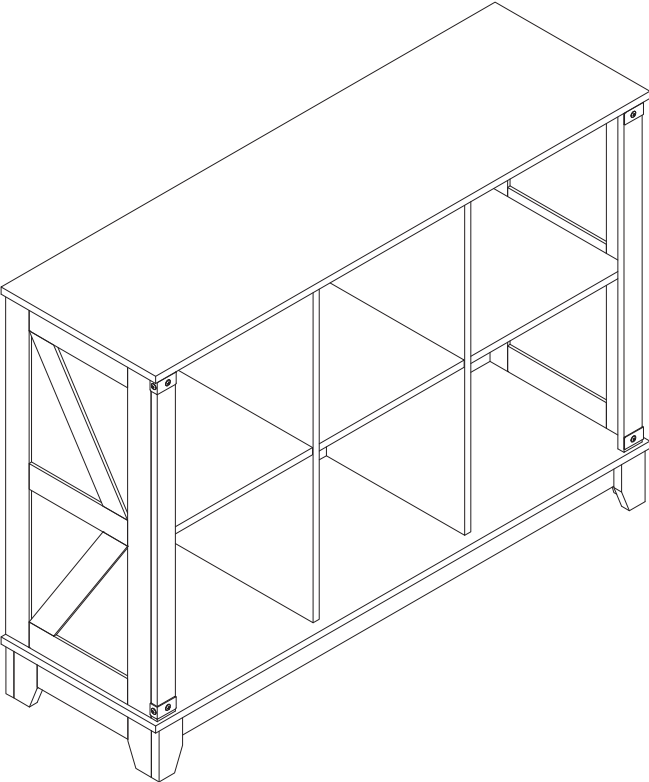


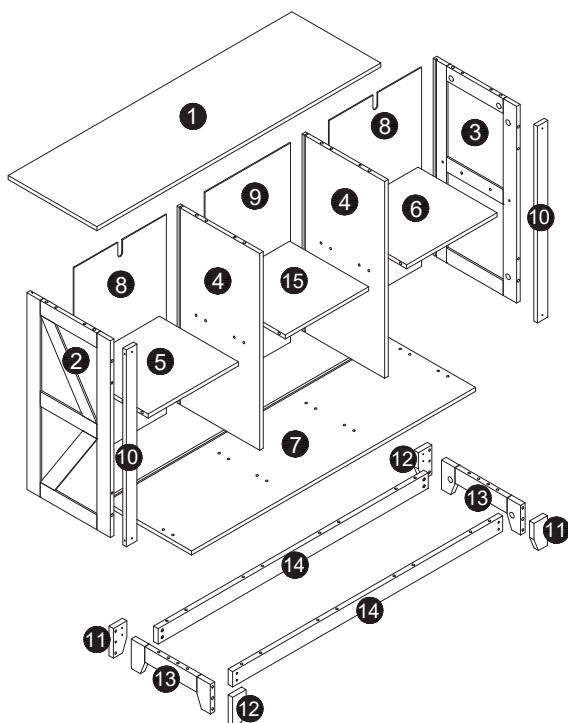
ASSEMBLY INSTRUCTION



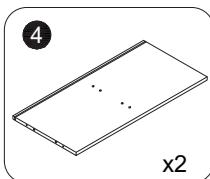
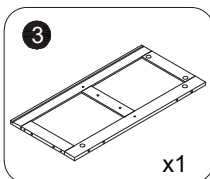
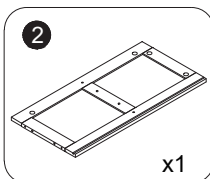
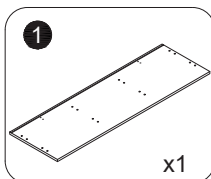
Please check all parts and accessories according to the parts list before assembling, make sure all contents are sufficient and in good condition.

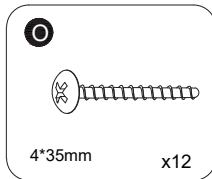
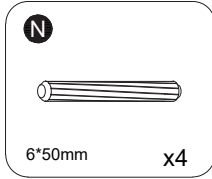
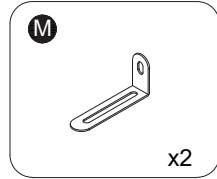
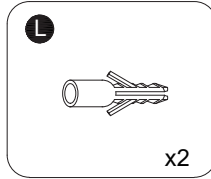
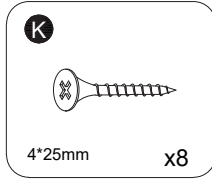
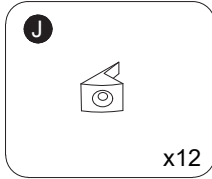
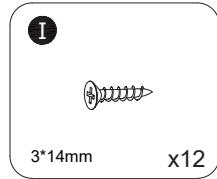
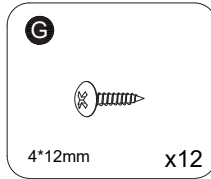
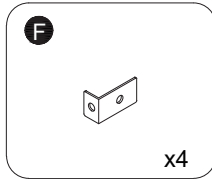
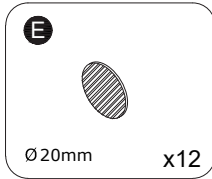
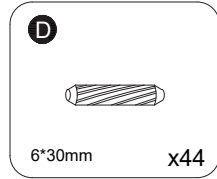
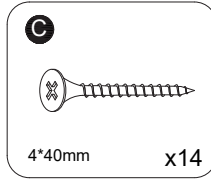
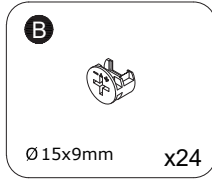
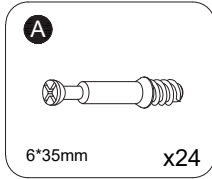
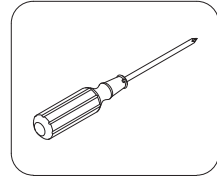
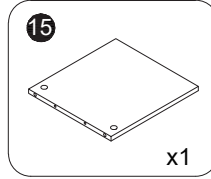
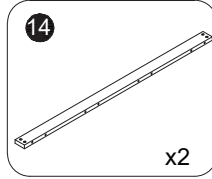
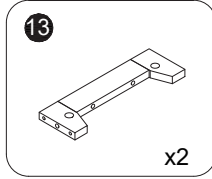
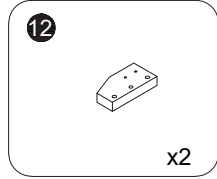
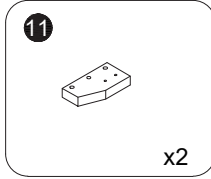
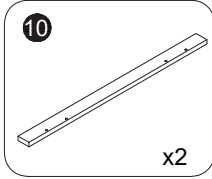
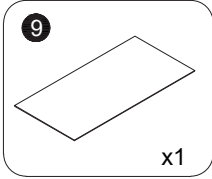
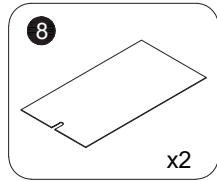
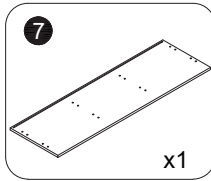
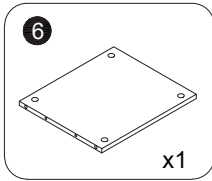
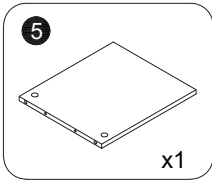
If there is any parts missing or defective, please contact us immediately with purchase platform message to get replacement parts.

Packaging Details



PARTS:



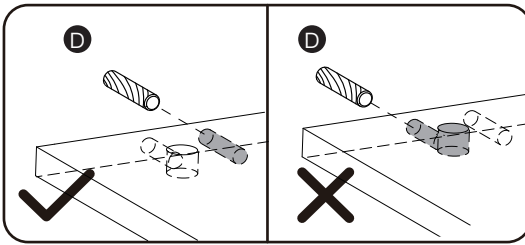


HOW TO INSTALL

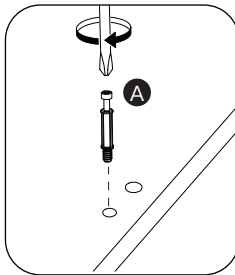
NOTICE:

1. Use electric drill for easier installation experience.
2. Please drive the screws in pre-drilled holes.
3. Please strictly follow the instruction and diagram in every step.
4. Make sure every part is on the right position, otherwise it may cause unnecessary problem.
5. Select the proper component via the label on every part while assembling.

REMARK:

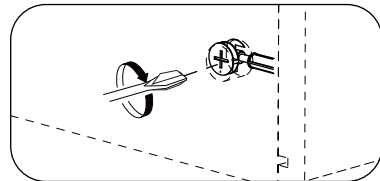
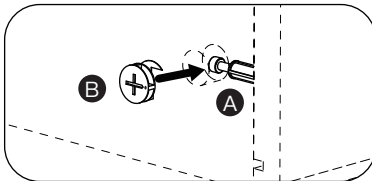


Avoid inserting part D into wrong holes.



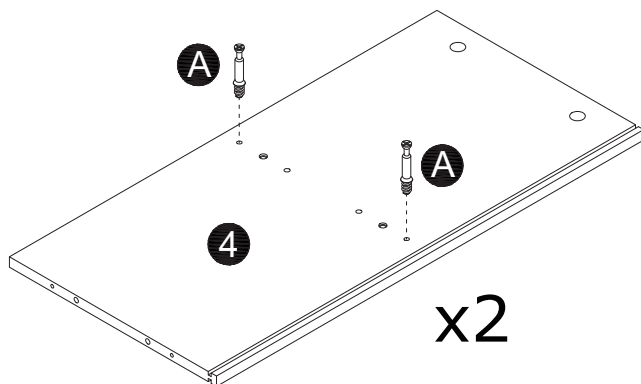
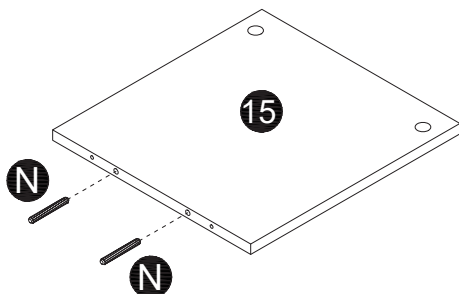
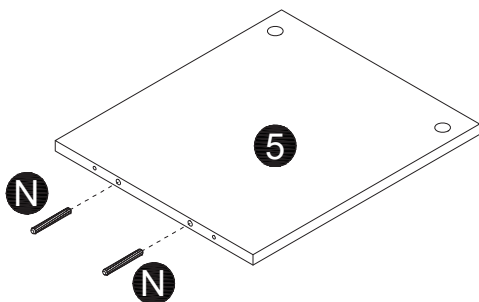
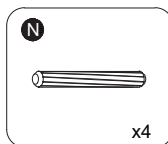
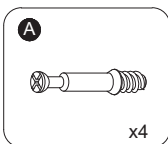
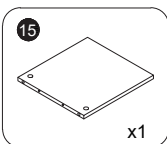
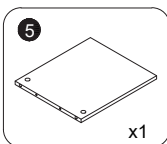
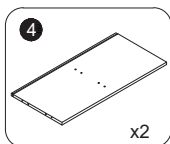
Part A must be installed into the holes with rubber nuts which are smaller than others.

When locking part B, please make sure part A is fully inserted.



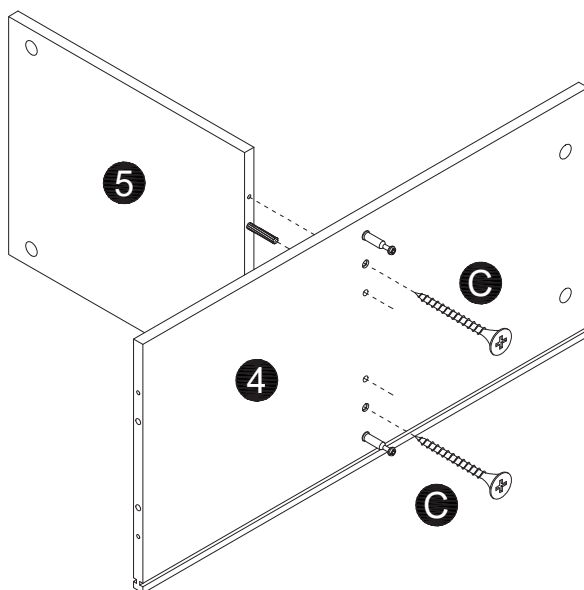
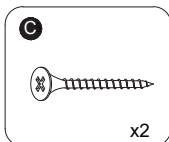
Step 1

Insert part **N** into part **5** & **15**. Install part **A** on part **4**.



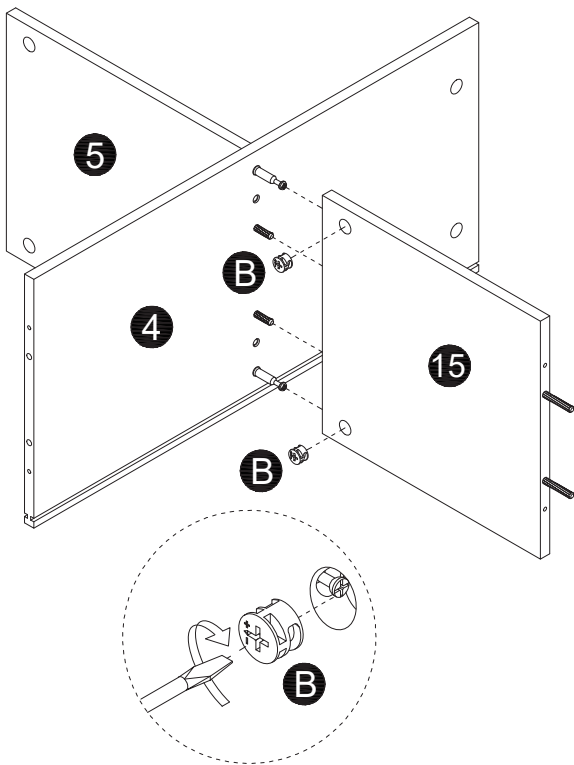
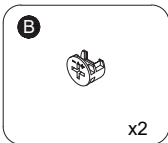
Step 2

Install part **5** on part **4**, use part **C** to screw them.

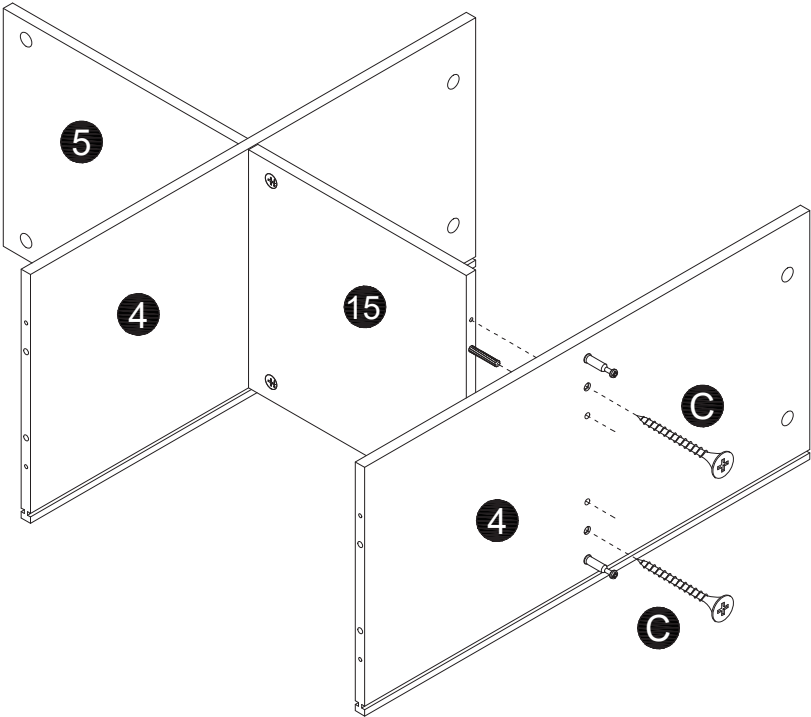
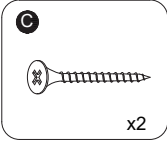


Step 3

Install part 15 on part 4, use part B to screw them.

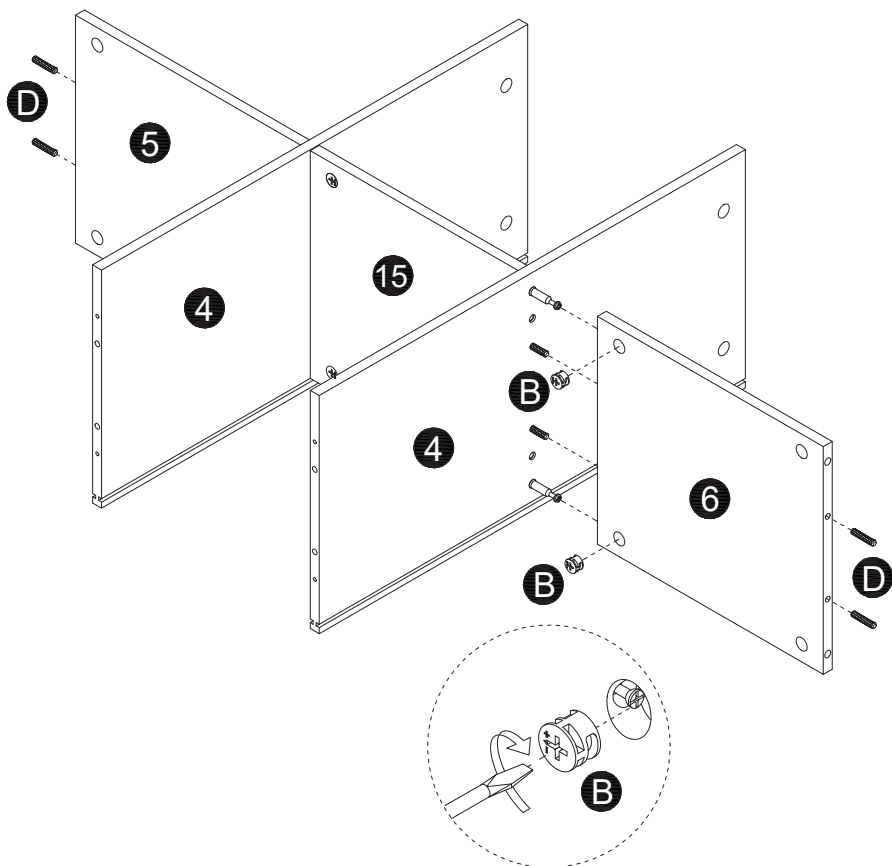
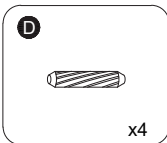
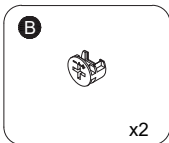
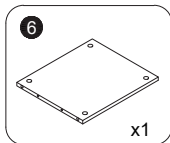


Step 4 Install another part 4 on part 15, use part C to screw them.



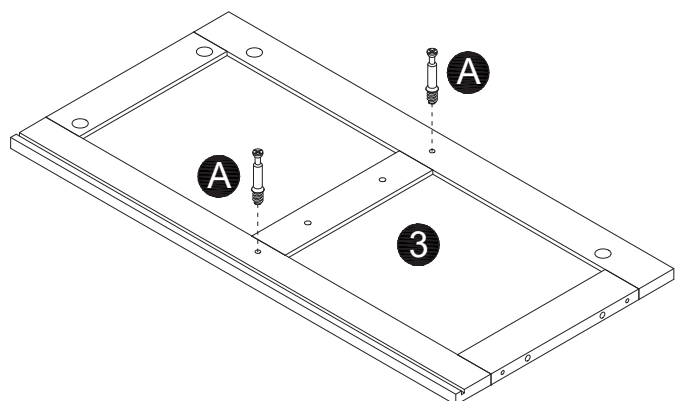
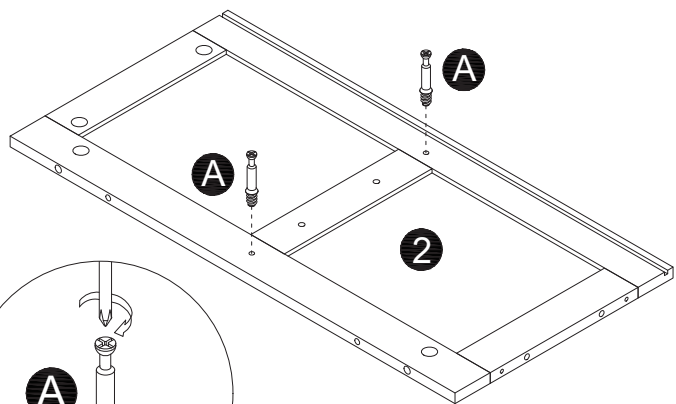
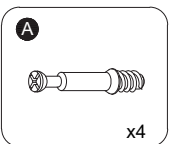
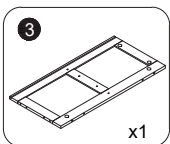
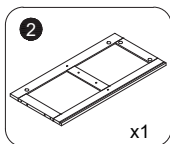
Step 5

Install part **6** on part **4**, use part **B** to screw them.
Insert part **D** into part **5** & **6**.



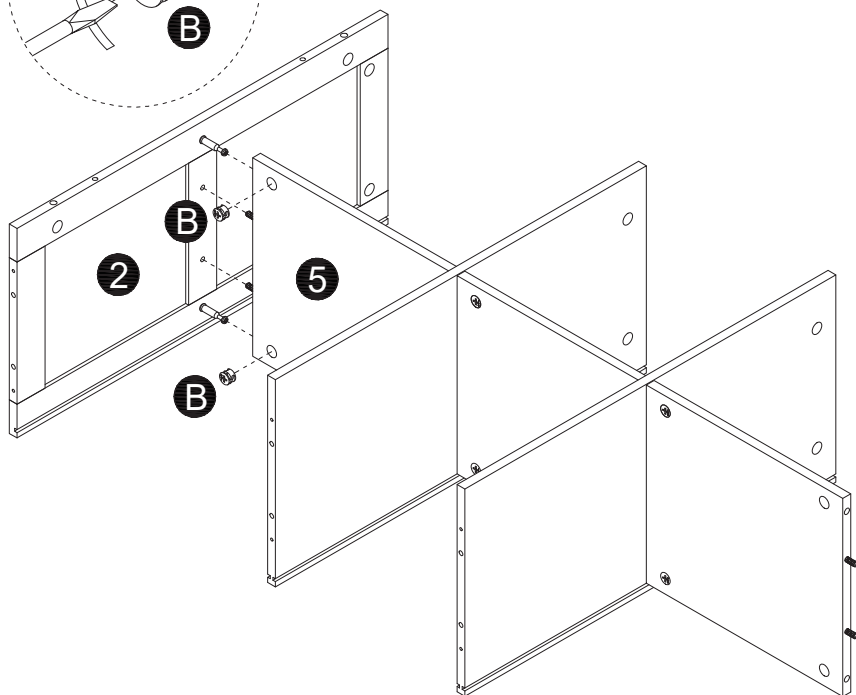
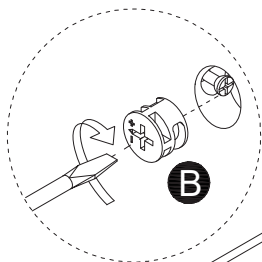
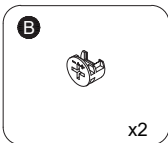
Step 6

Install part **A** on part **2** & **3**.



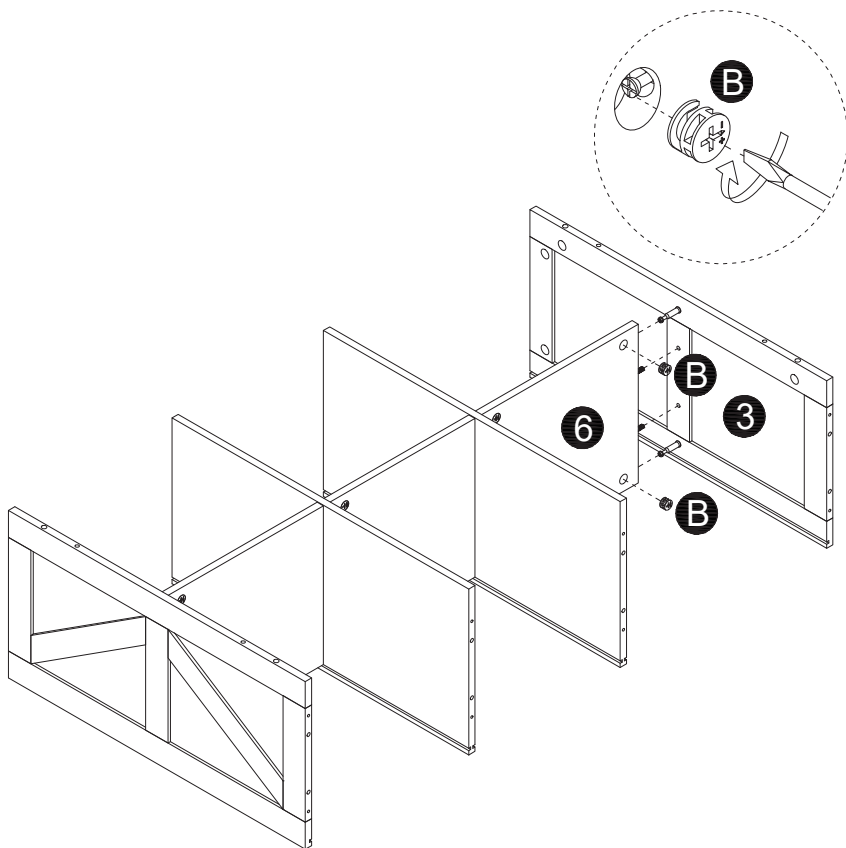
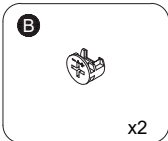
Step 7

Install part **2** on part **5**, use part **B** to screw them.



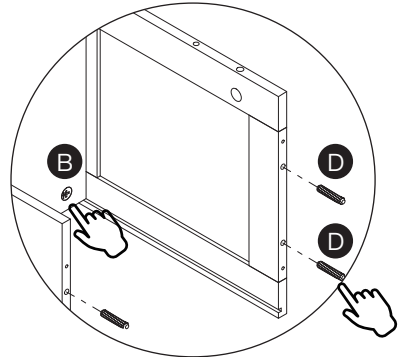
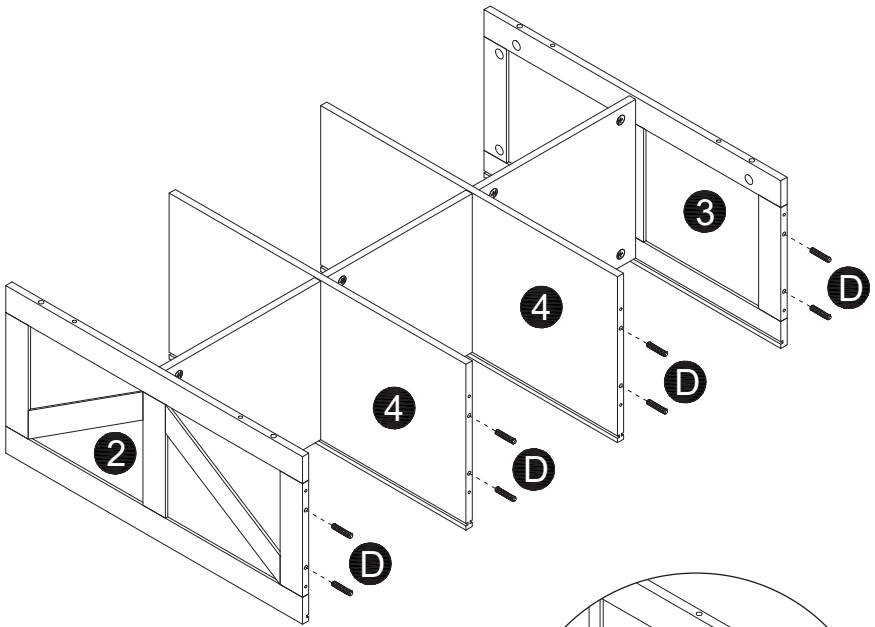
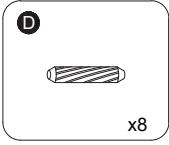
Step 8

Install part **3** on part **6**, use part **B** to screw them.



Step 9

Insert part **D** into part **2** & **3** & **4**.

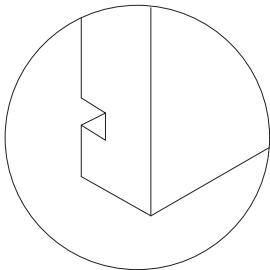
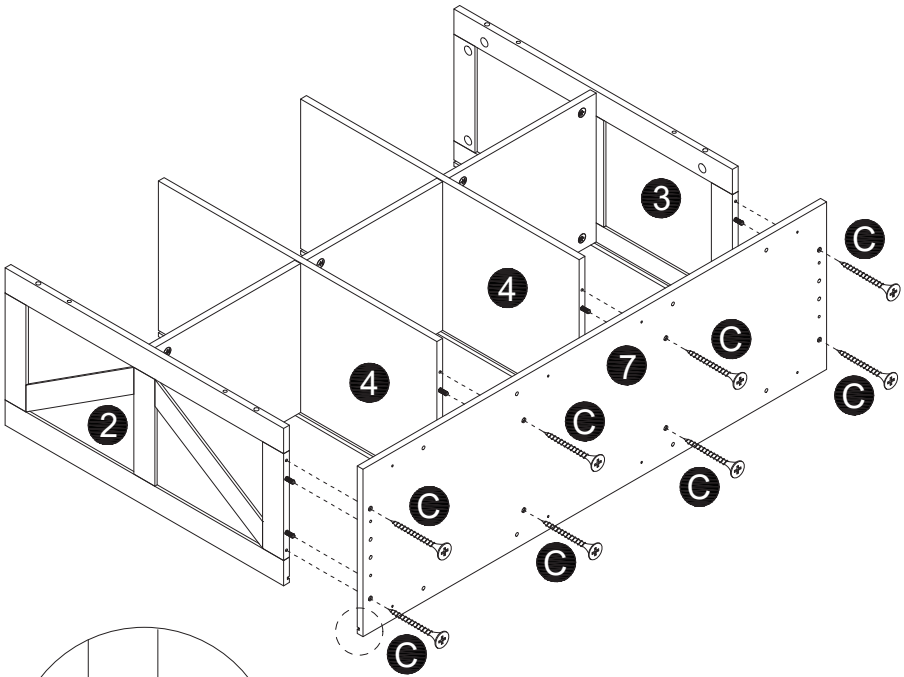
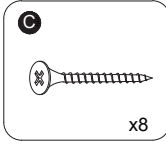
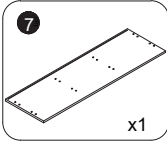


NOTE:

Part **D** must be installed on the same side as part **B** previously installed.

Step 10

Install part **7** on part **2** & **3** & **4**, use part **C** to screw them.



NOTE:

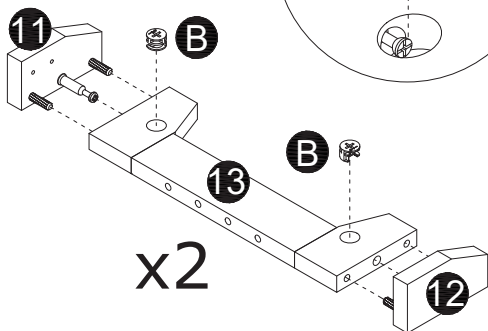
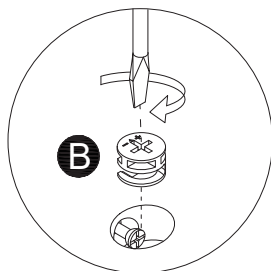
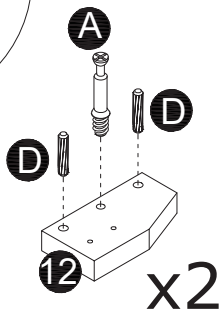
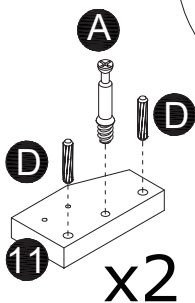
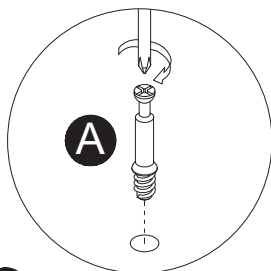
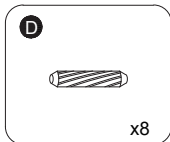
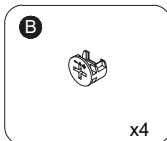
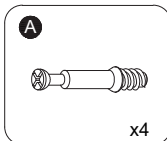
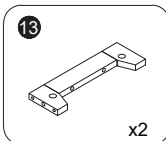
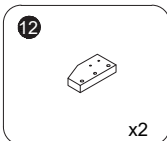
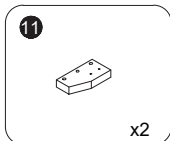
Make sure the rabet of part **7** are facing downwards.

Step 11

Insert part **D** into part **11** & **12**.

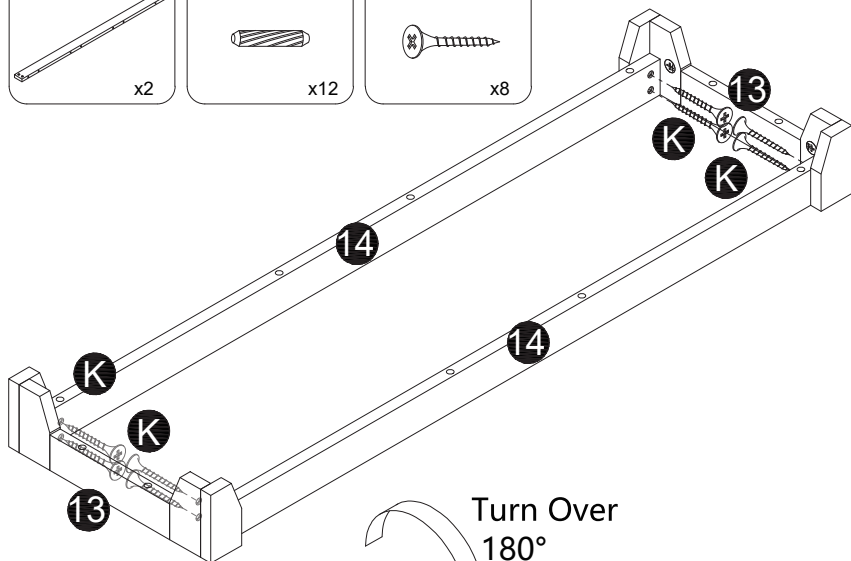
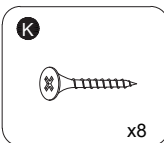
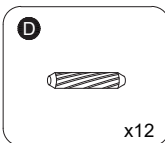
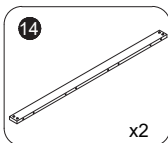
Install part **A** on part **11** & **12**.

Install part **11** & **12** on part **13**, use part **B** to screw them.

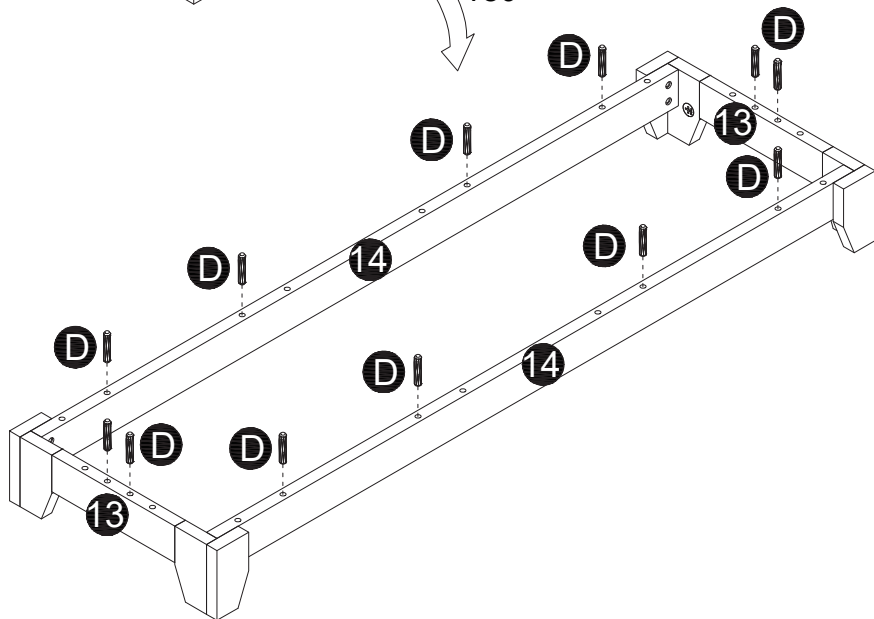


Step 12

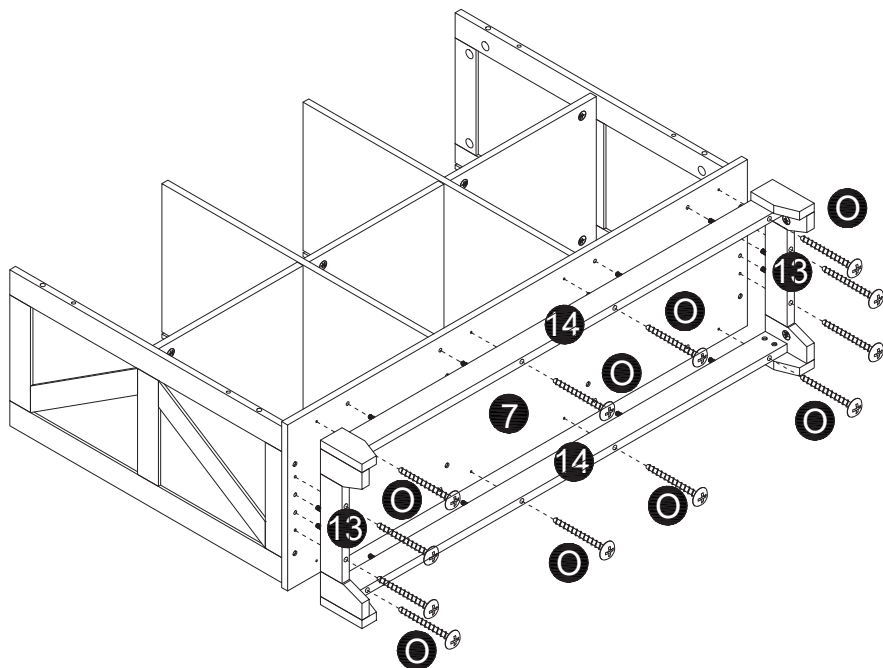
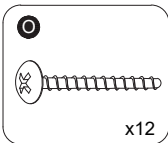
Connect part 13 with part 14, use part K to screw them. Turn it over, insert part D into part 13 & 14.



Turn Over
180°

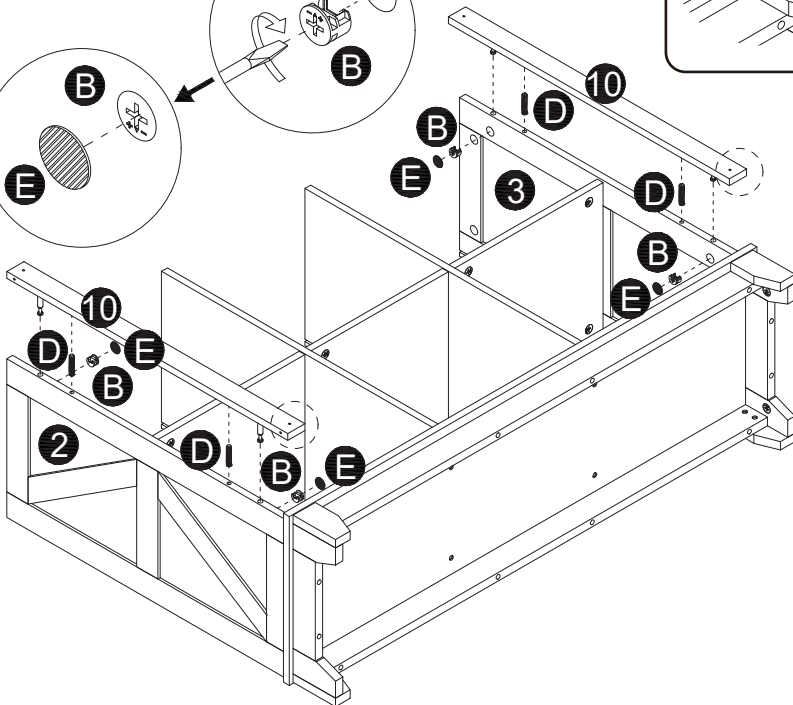
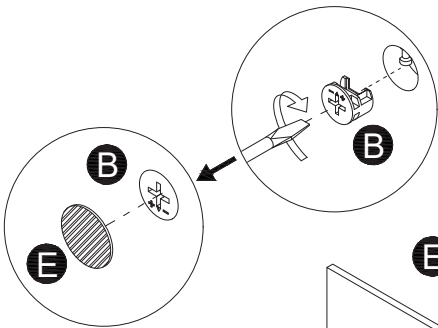
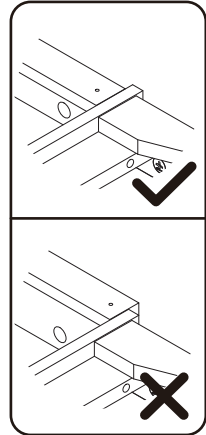
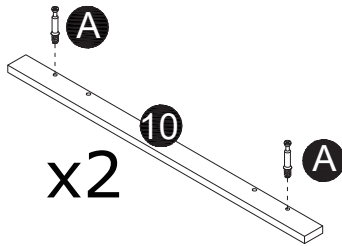
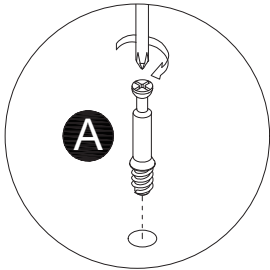
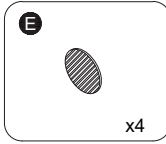
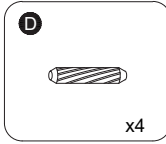
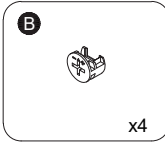
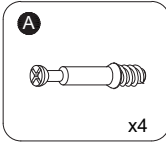
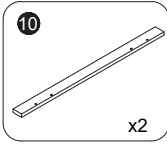


Step 13 Install part 13 & 14 on part 7, use part O to screw them.



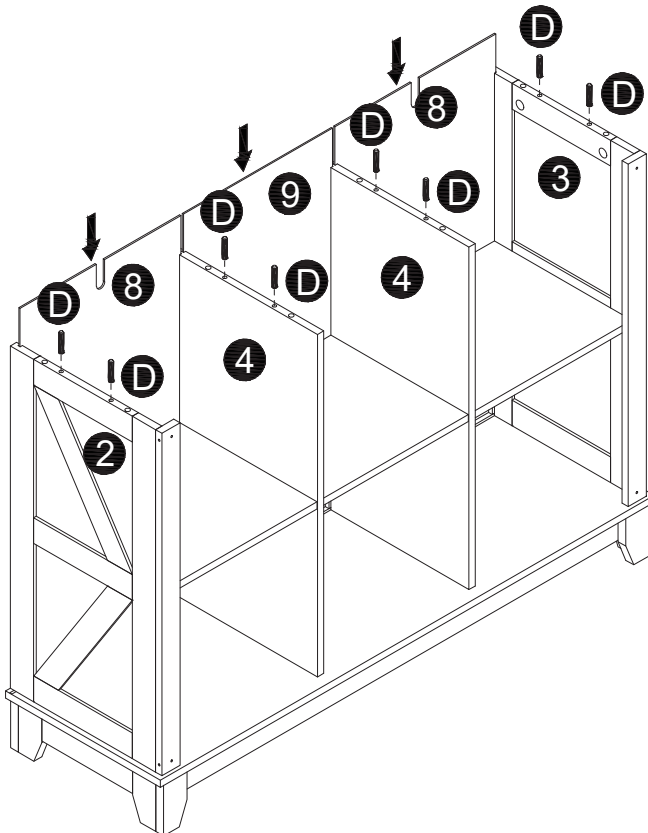
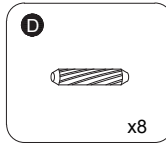
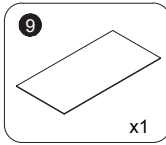
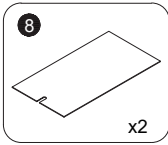
Step 14

Install part **A** on part **10**. Install part **10** on part **2** & **3** by part **D**, use part **B** to screw them. Cover them with part **E**.



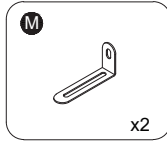
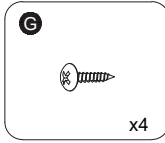
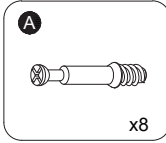
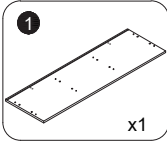
Step 15

Insert part 8 & 9 along the rabbet of part 2 & 3 & 4.
Insert part D into part 2 & 3 & 4.



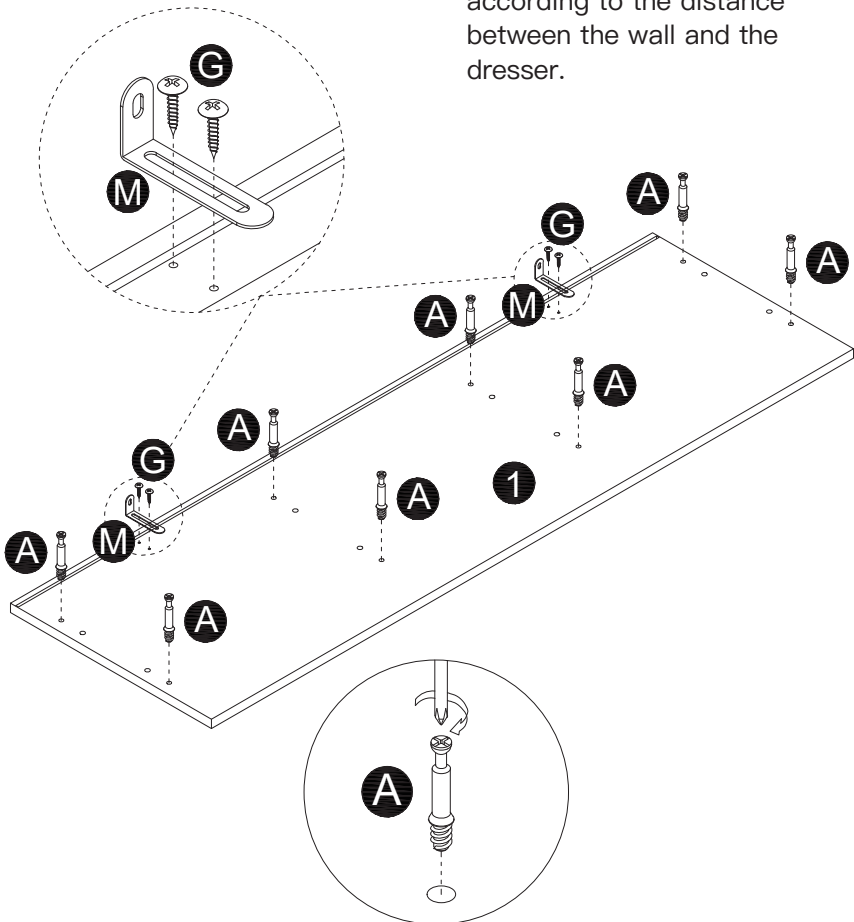
Step 16

Install part **A** on part **1**. Install part **M** on part **1**, use part **G** to screw them.



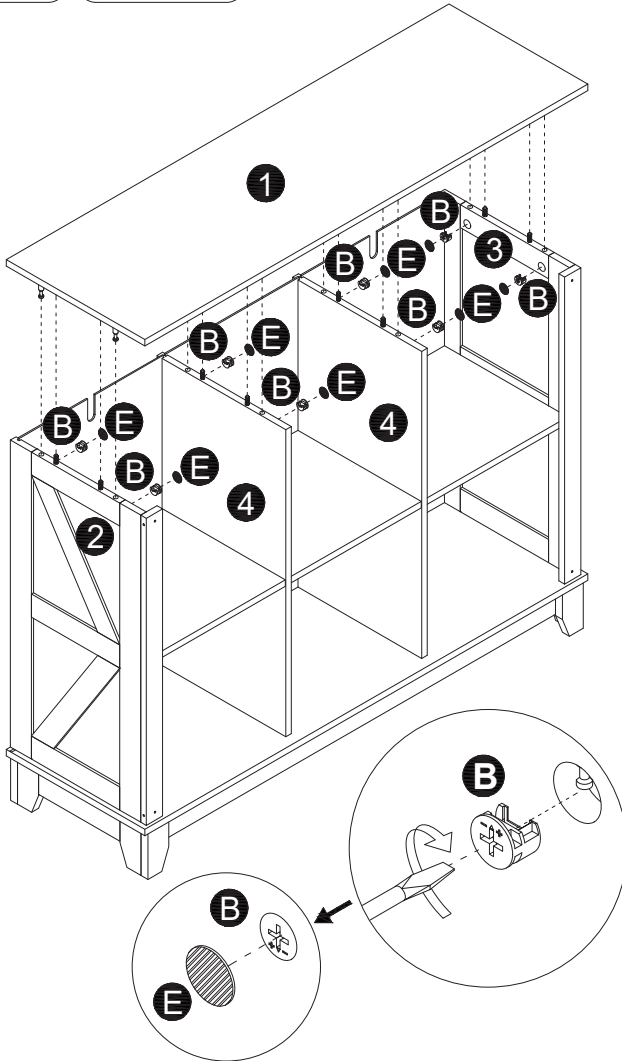
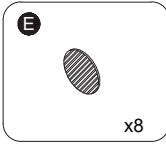
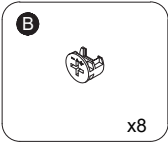
NOTE:

Adjust the position of part **M** according to the distance between the wall and the dresser.

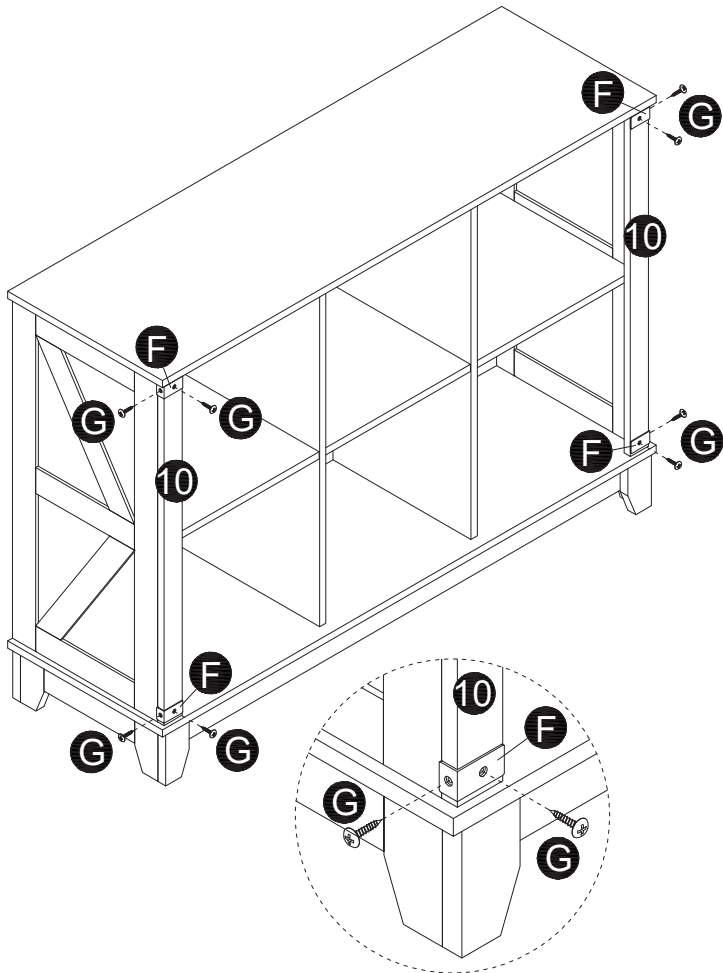
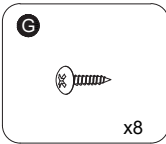
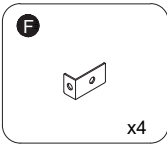


Step 17

Install part 1 on part 2 & 3 & 4, use part B to screw them. Cover them with part E.

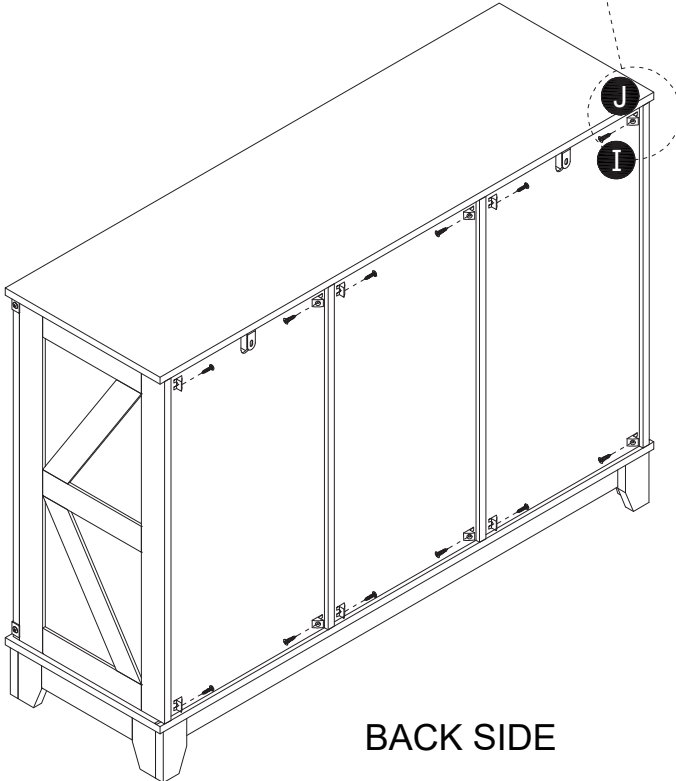
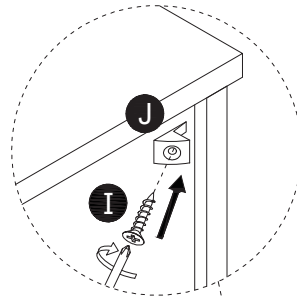
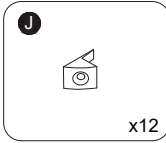
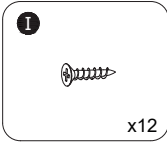


Step 18 Install part **F** on part **10**, use part **G** to screw them.



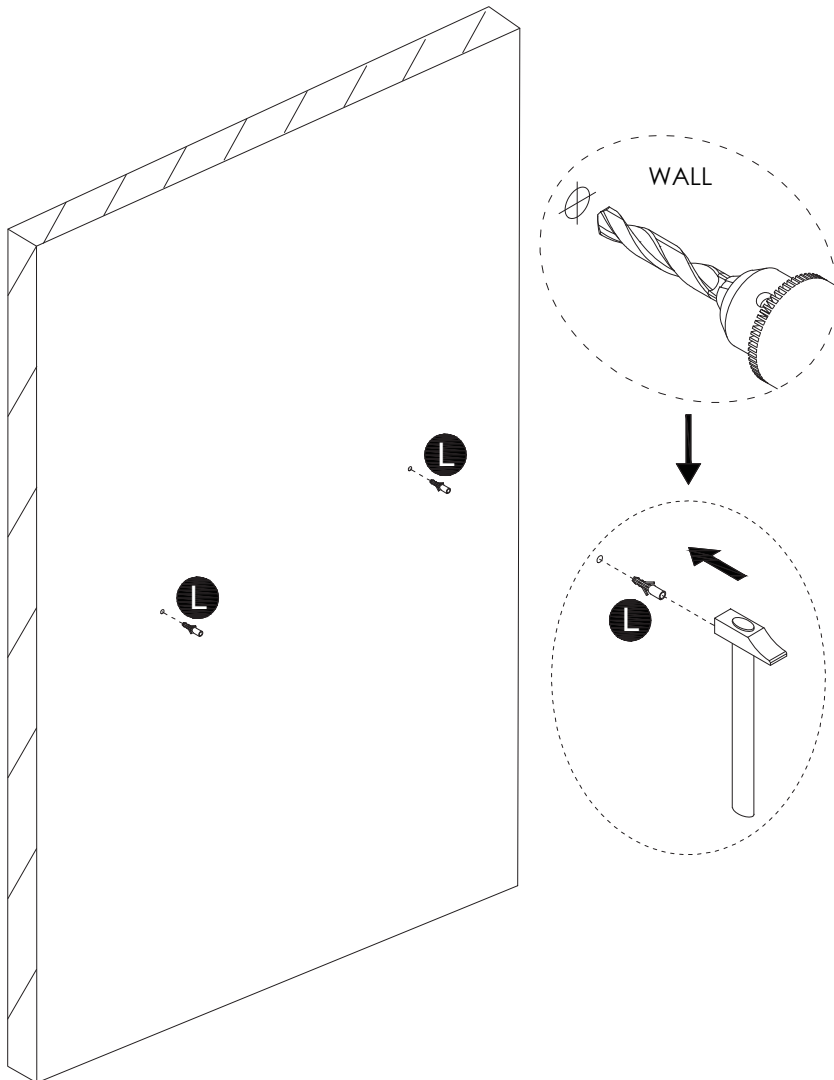
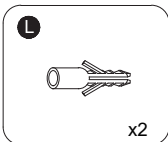
Step 19

Insert part **J** along the grooves of backboard, screw them with part **I** for better stability.

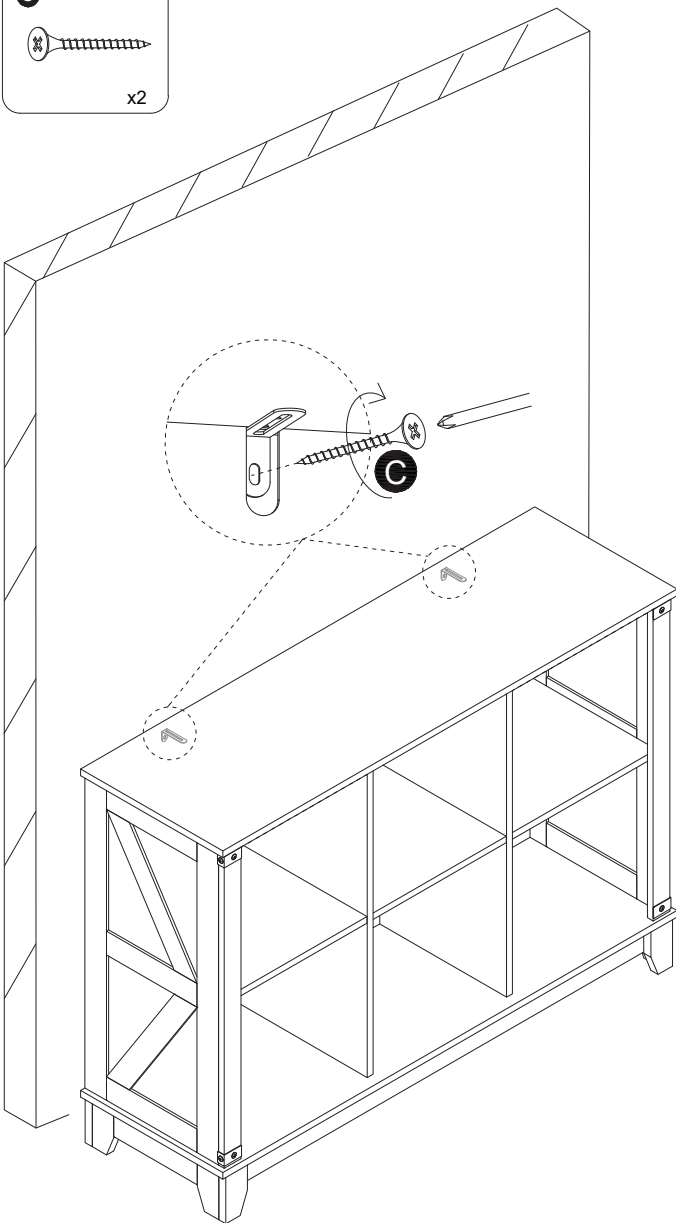
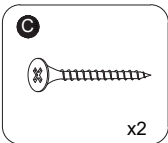


Step 20

Drill 2 holes on a solid wall, then insert part **L**.



Step 21 Fix the product on the wall with part **C**.



After-sales Service

Dear customer,

We're excited that you've chosen our product to be a part of your home. We care deeply about your experience and want to make sure you have all the help you need.

If you have any questions while assembling your new product, don't hesitate to contact our dedicated customer support team through the original purchase platform.

Creating your ideal space is important, and we're committed to helping you every step of the way.

Thank you for choosing us, where comfort and style meet practicality.

Sincerely,
Customer Service Manager