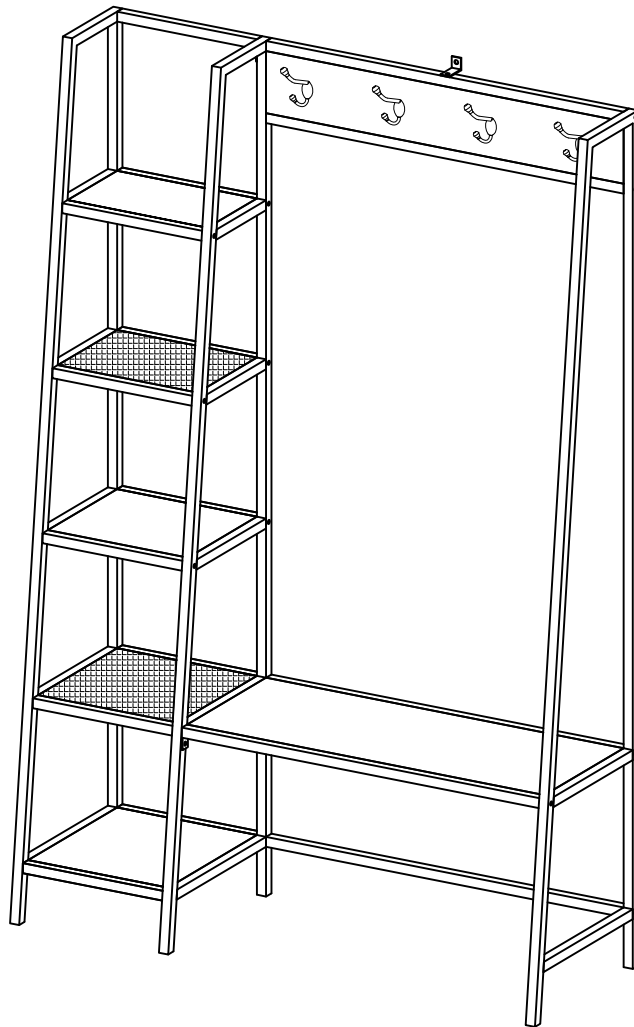
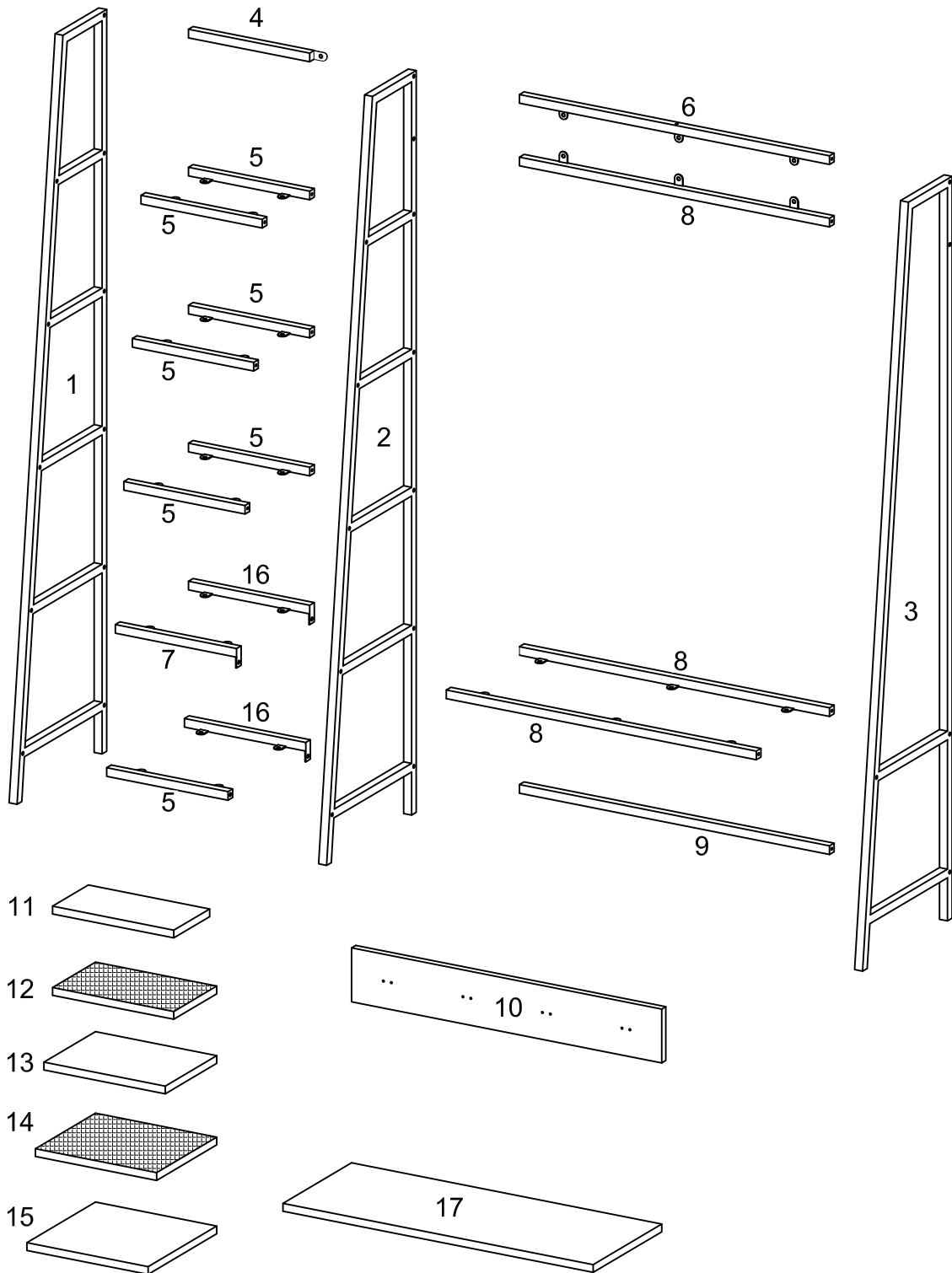






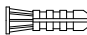
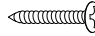


Assembly Instructions

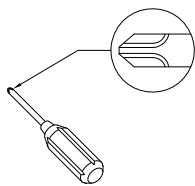


Parts List



Hardware List

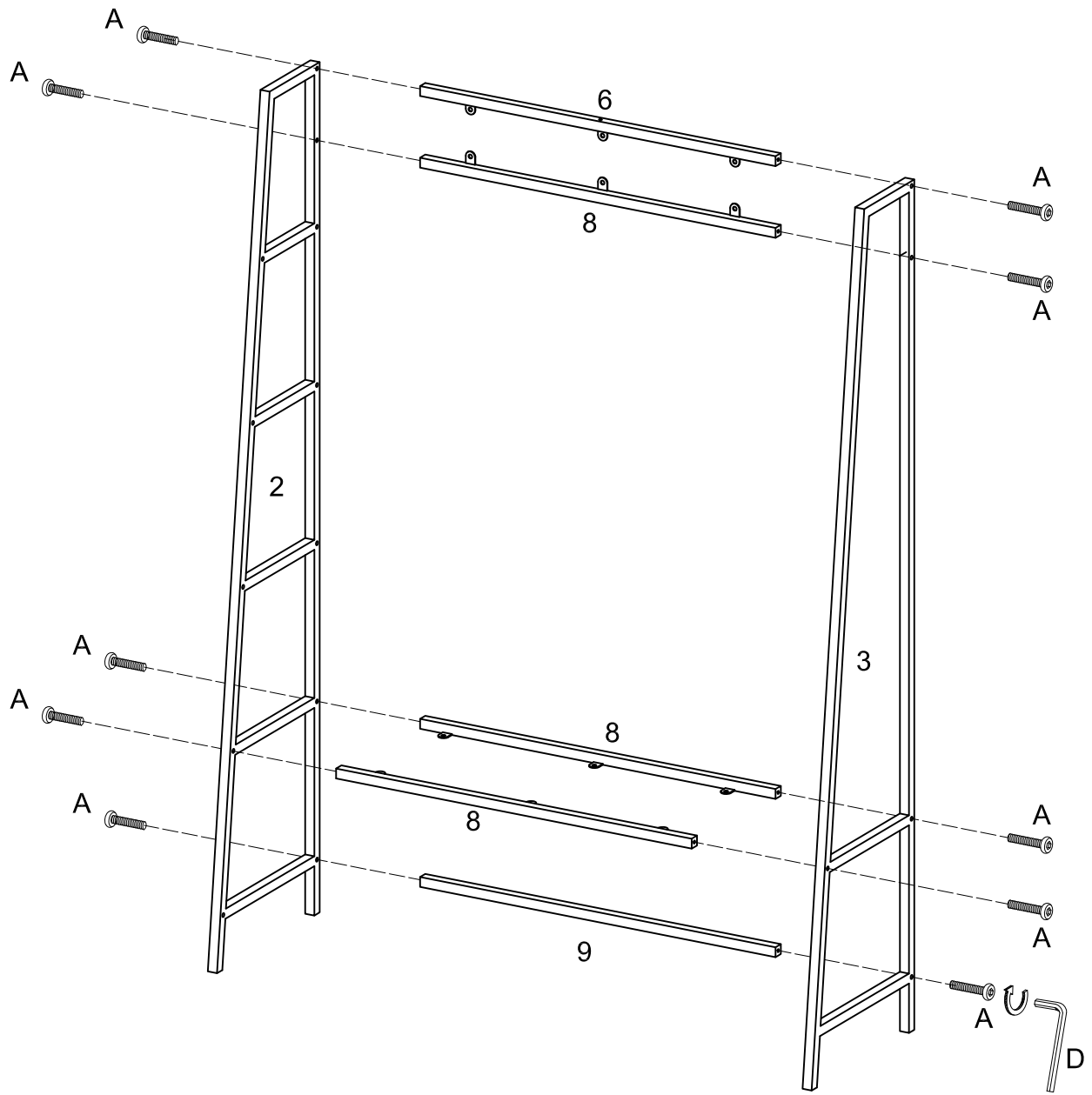
A		Ø1/4x25mm	Bolt	28 pcs
B		Ø1/4x12mm	Bolt	37 pcs
C			Bracket	1 pc
D		M4	Hex key	1 pc
E			Anchor	1 pc
F		Ø4x30mm	Screw	1 pc
G		Ø16x6.5.x1.0mm	Washer	1 pc
H			Hook	4 pcs



Philips head screwdriver required for assembly
(not included)

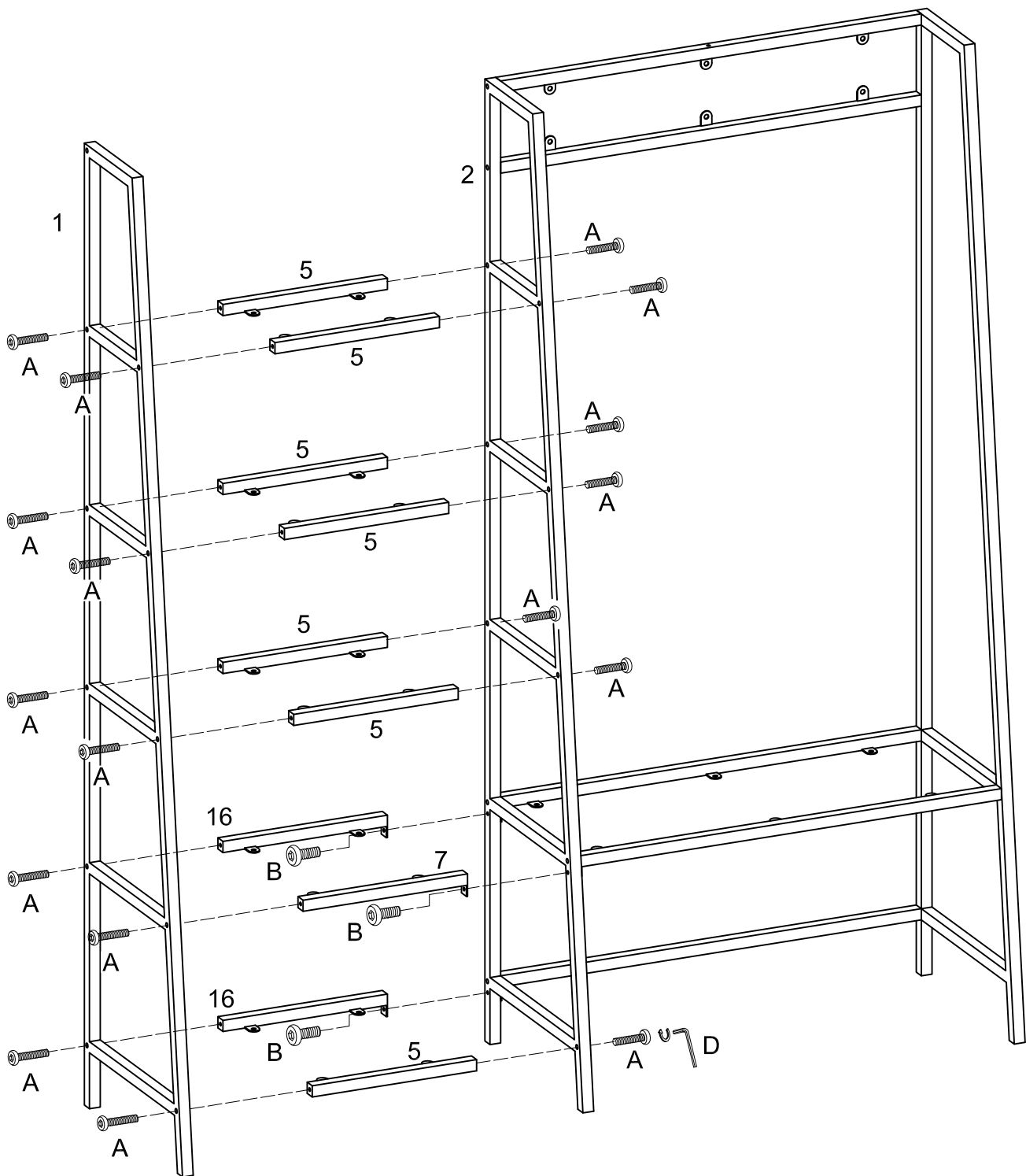
*The hardware quantities listed above are required for proper assembly.
Some extra hardware may also have been included.*

Step 1



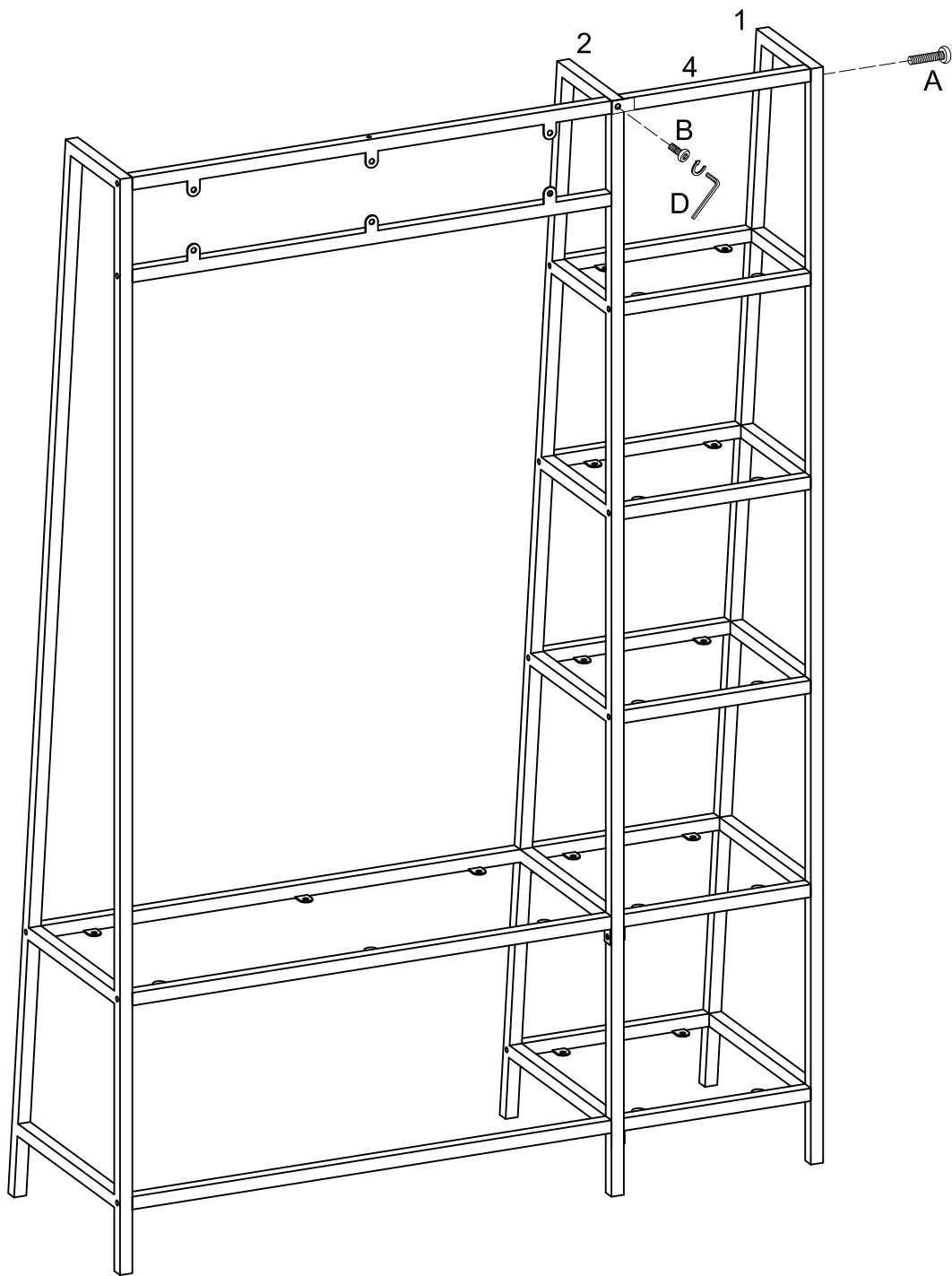
Attach part (2,3) to part (6,8,9) using bolt (A) with hex key (D).

Step 2



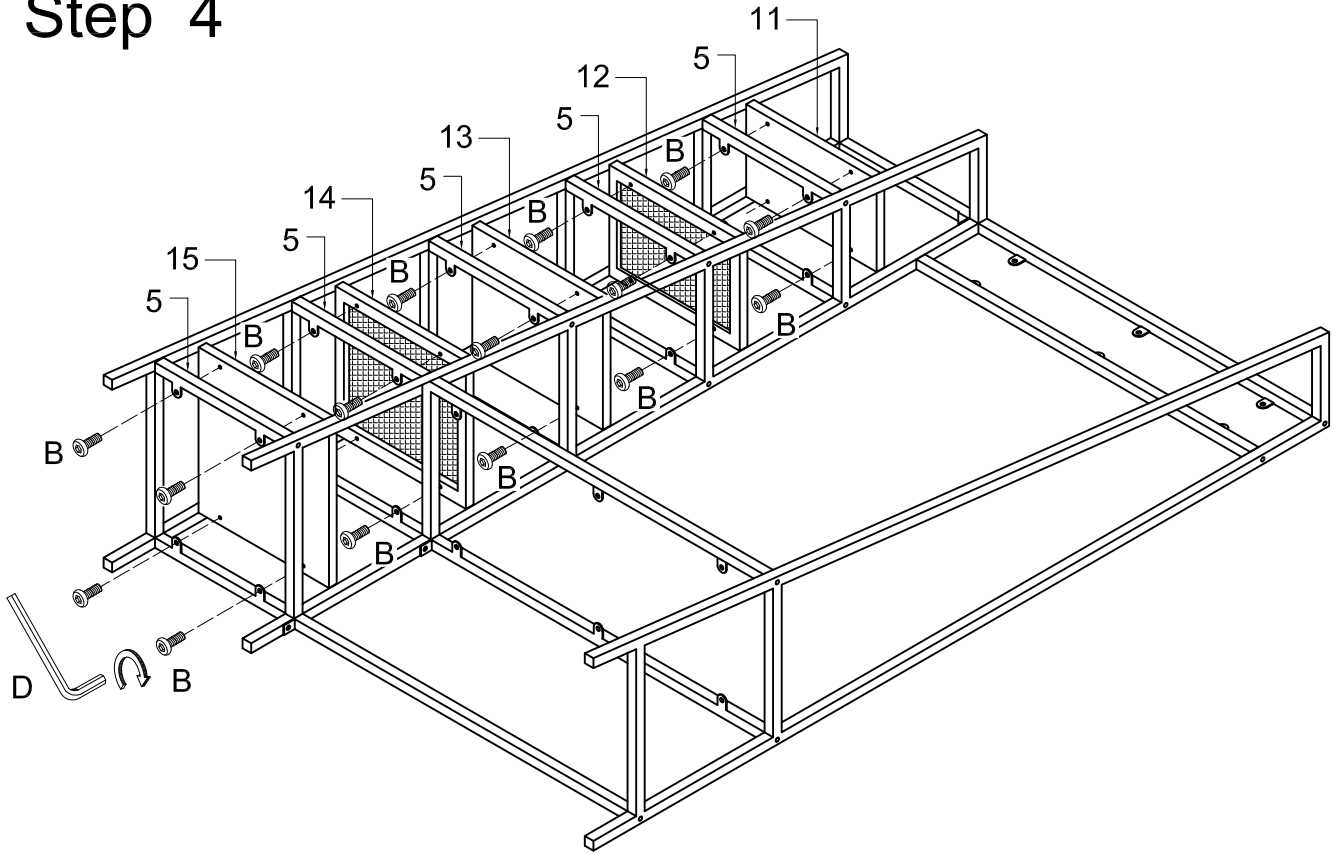
Attach part (1,2) to part (5,7,16) using bolt (A) with hex key (D).

Step 3



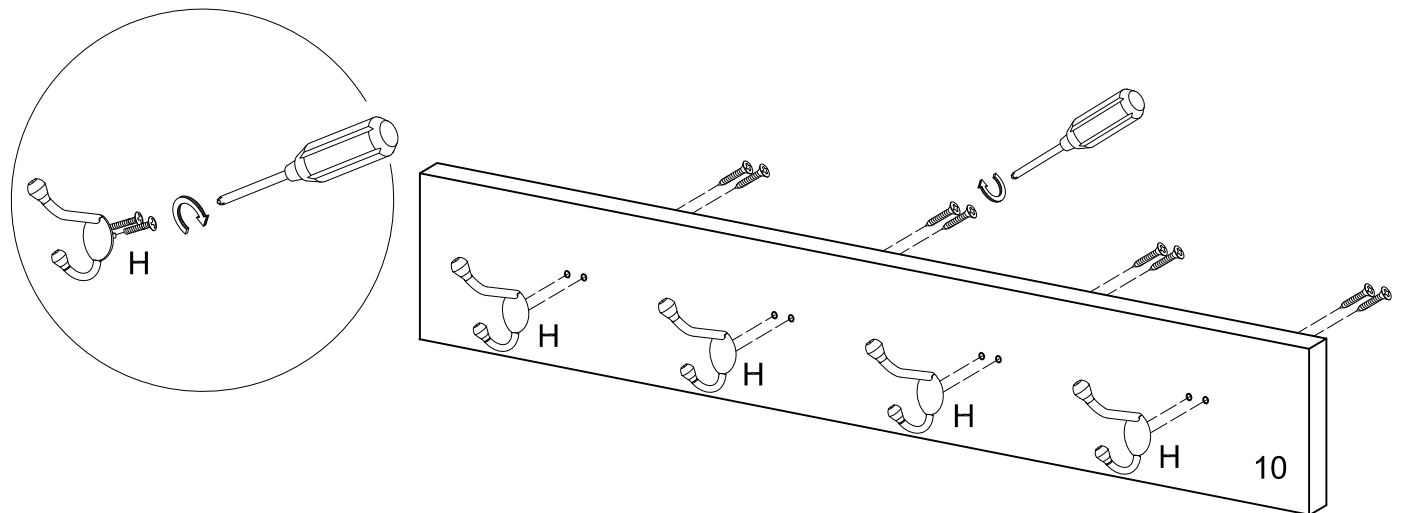
Attach part (4) to part (1,2) using bolt (B) with hex key (D).

Step 4



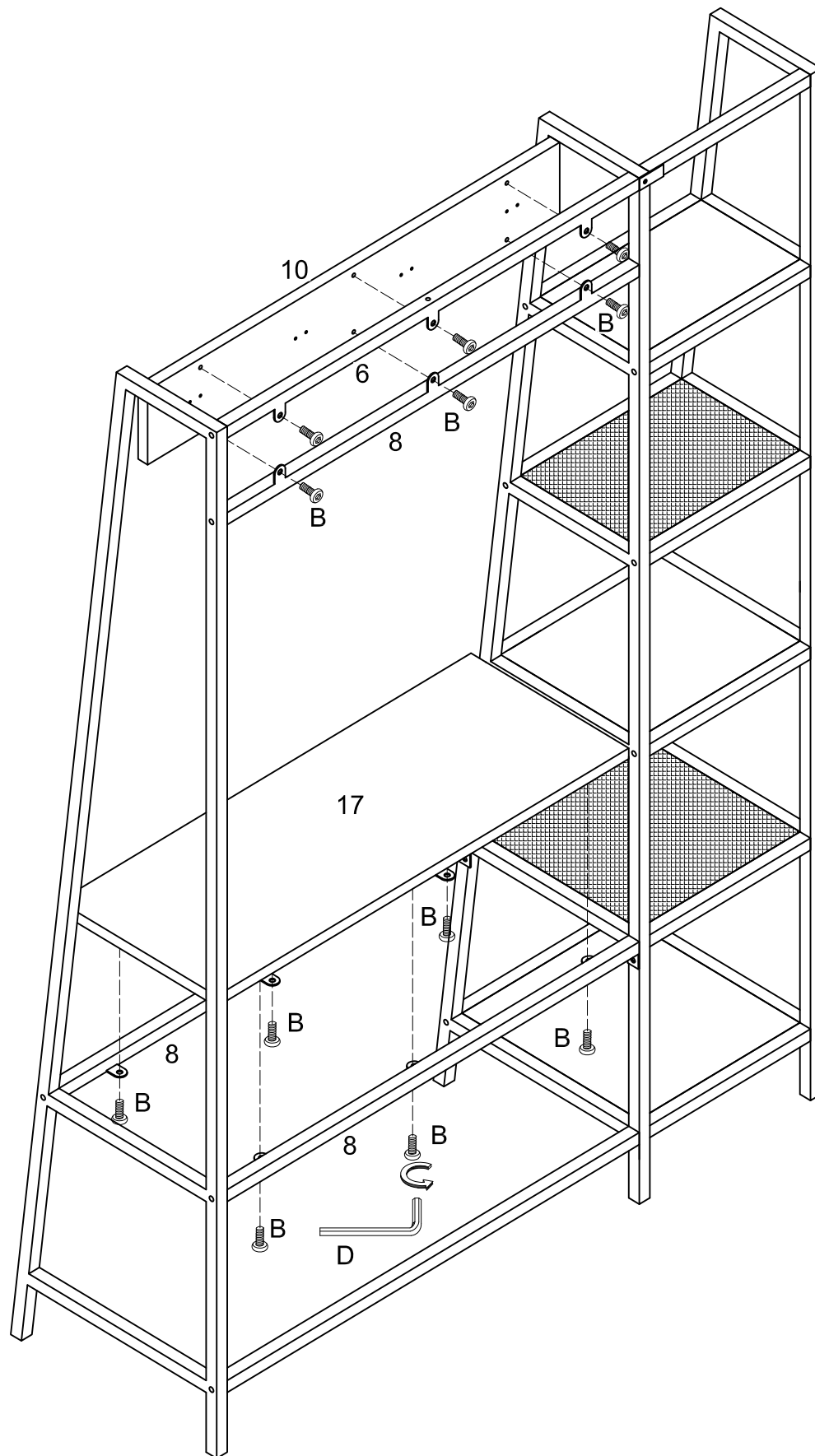
Attach part (11,12,13,14,15) to part (5) using bolt (B) with hex key (D).

Step 5



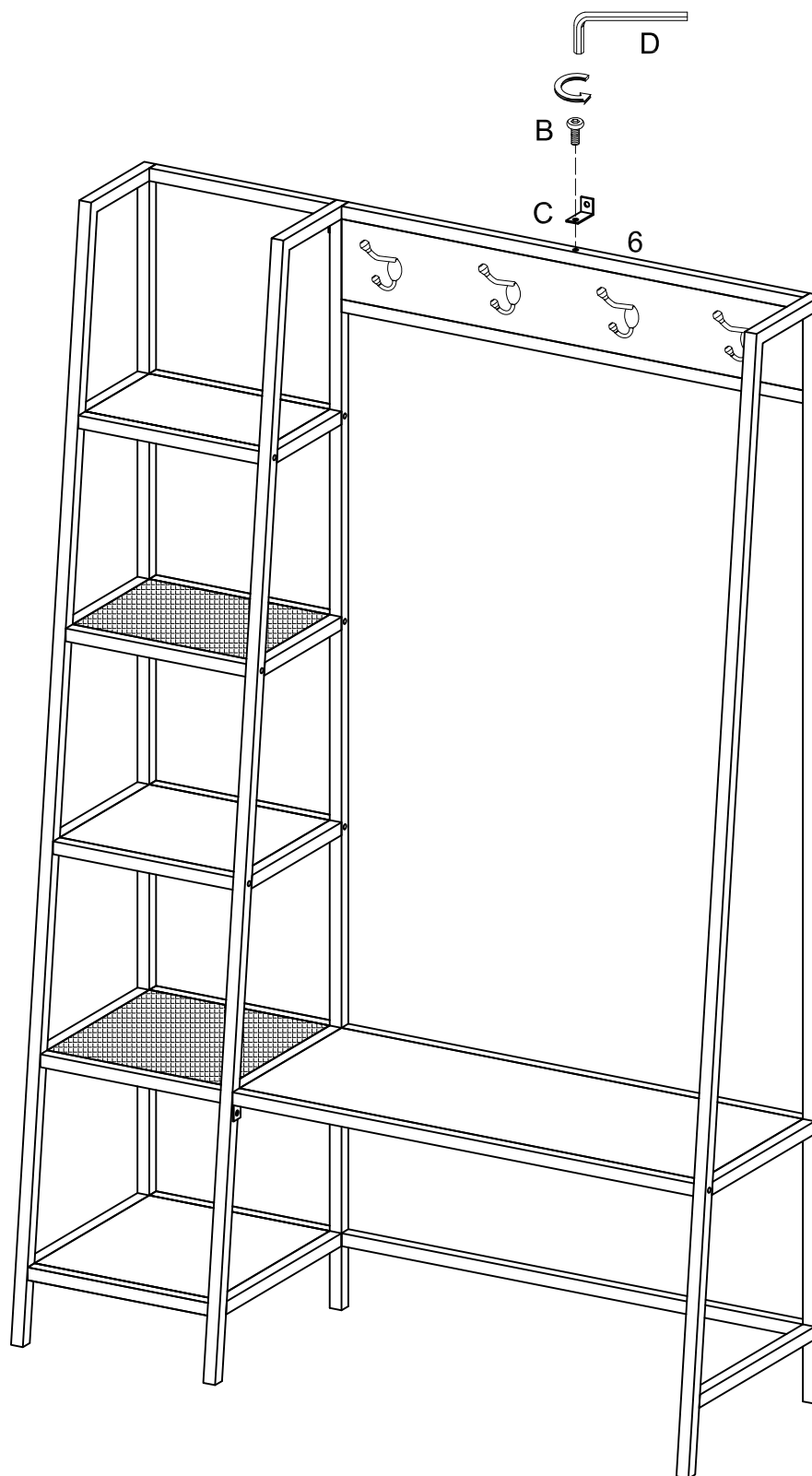
Disassemble screws from hook, then attach hook (H) to part (10) using screw with screwdriver.

Step 6



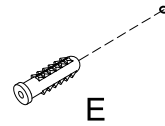
Attach part (10) to part (6,8) using bolt (B) with hex key (D). Attach part (17) to part (8) using bolt (B) with hex key (D).

Step 7



Attach bracket (C) to part (6) using bolt (B) with hex key (D).

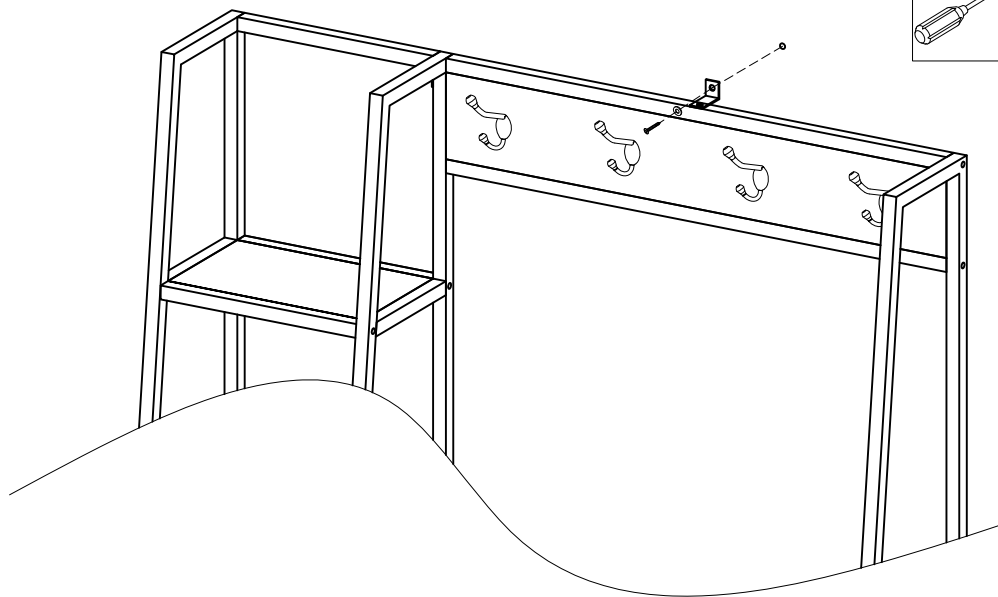
Step 8



Wall

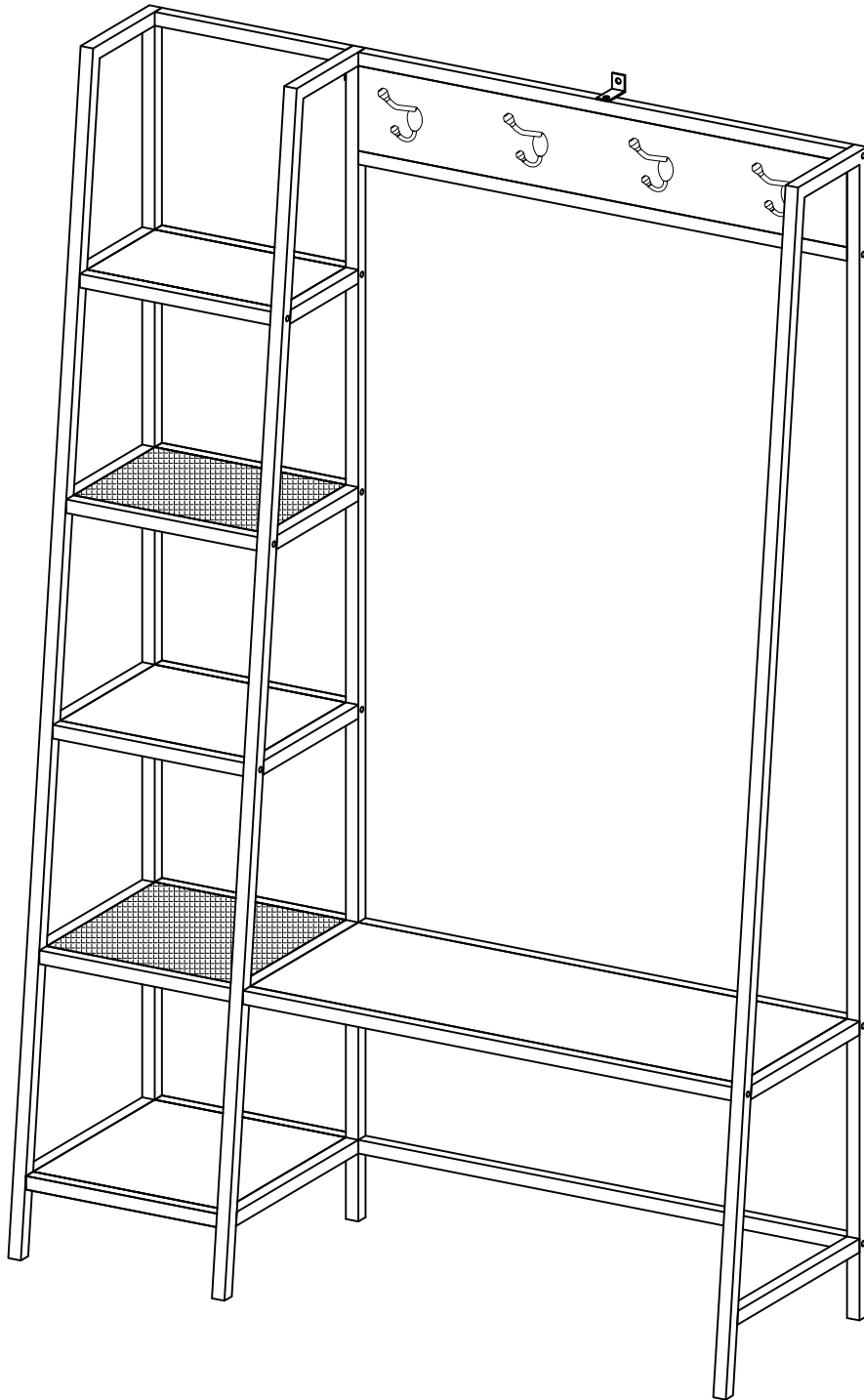
Measure height for bracket in desired location. Insert anchor (E) into wall at desired location.

Step 9



Secure furniture to anchor in wall using washer (G) and screw (F) with a screwdriver.

Step 10



Final Assembly