

Assembly Instructions

Caution: You must read this before you proceed

Please look in under the seat for hardware packs and legs.

Care & Maintenance



- Not for commercial use. For residential use only.



- Furniture may scratch floors. We recommend using furniture pads to protect your floors.



- Do not put hot items directly on furniture surface.



- Do not clean furniture with harsh cleansers or polish.



- Do not place furniture under direct sunlight.



- Do not place furniture near heating or cooling vents.



- Do not write on furniture without a padded barrier to protect the surface.



- Do not place furniture outside . For indoor use only.



- Stains may be removed with mild soap solution and damp cloth.

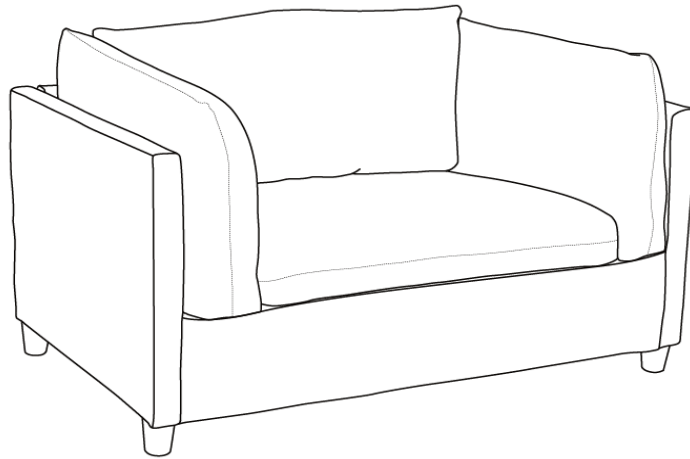


- Children should not climb or jump on the furniture.

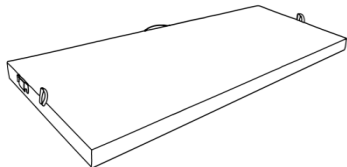
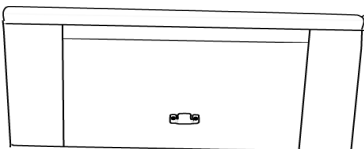
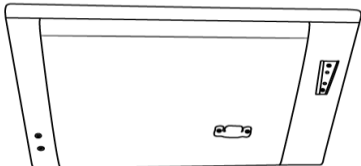
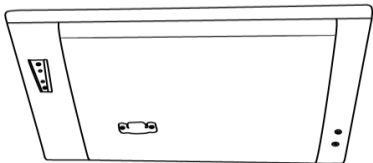
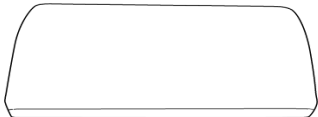
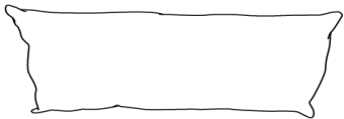


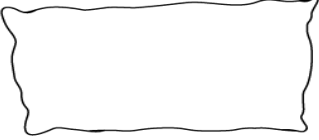
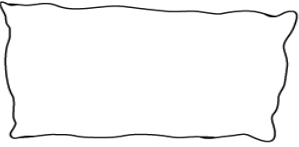


- Dust and pick-up spills using a clean, non-colored, lint-free cloth.

CLUB CHAIR

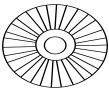
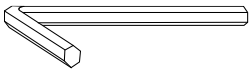


Parts List

Label	Picture	Description	QTY
A		Seat Base	1
B		Backrest	1
C		Left Arm	1
D		Right Arm	1
E		Seat Cushion	1
F		Back Cushion	1

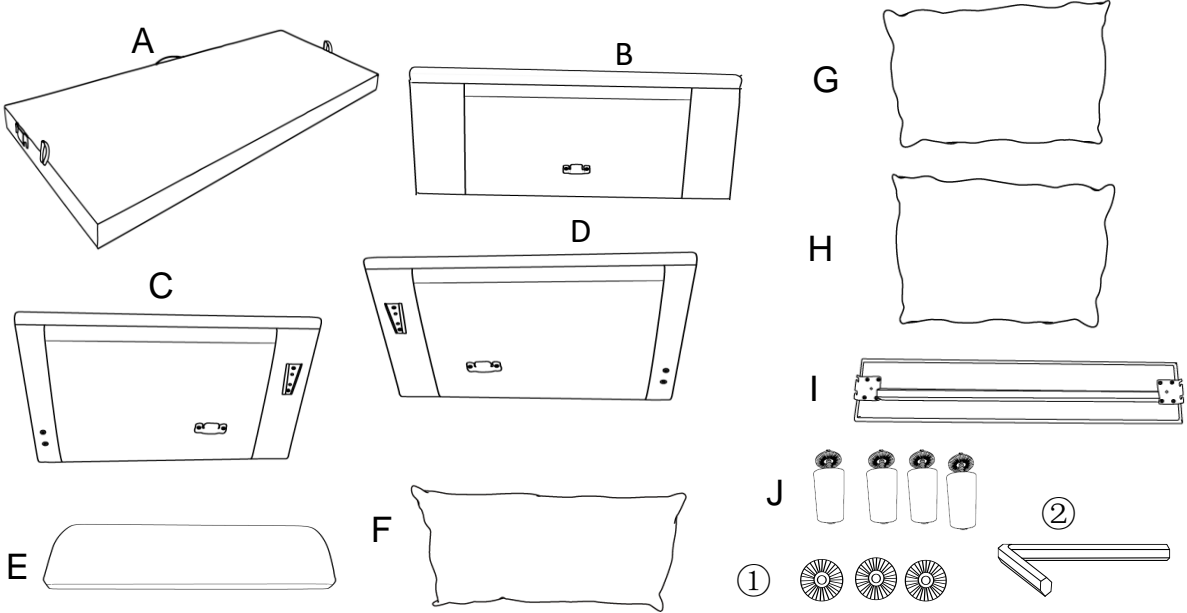
G		Left Arm Cushion	1
H		Right Arm Cushion	1
I		Front Seat Board	1
J		Wooden Leg with 1 Plastic Gasket	4

Hardwares List

①		Plastic Gasket	3
②		Allen Wrench	1

Assembly Preparation

Before Beginning Assembly:



The diagram illustrates the components of the chair before assembly. It includes:

- A:** Backrest panel
- B:** Seat back panel
- C:** Left seat side panel
- D:** Right seat side panel
- E:** Seat base panel
- F:** Seat cushion
- G:** Left arm cushion
- H:** Right arm cushion
- I:** Front seat board
- J:** Four wooden legs, each with a plastic gasket attached to the top.
- ①:** Three plastic gaskets.
- ②:** One Allen wrench.



- Read instructions, cover to cover-



- Have 2 adults on hand for assembly-



- Do not assemble on flooring or carpet-

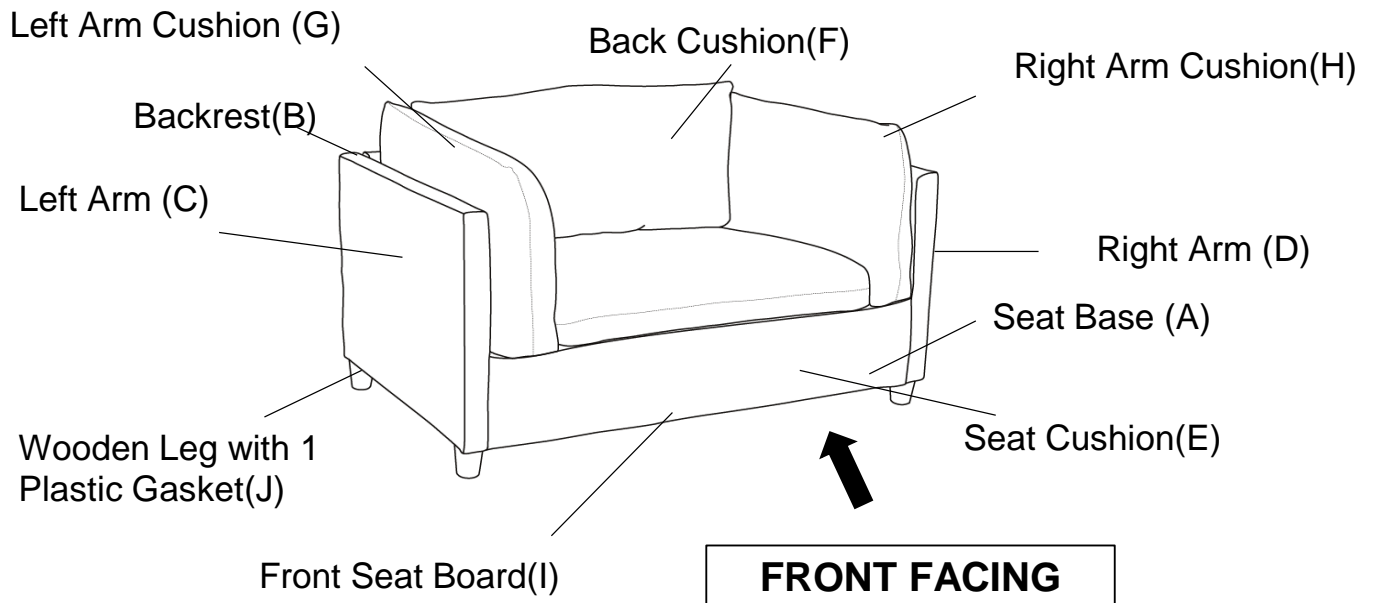


- Assemble on a clean non-marring surface (packing foam)-



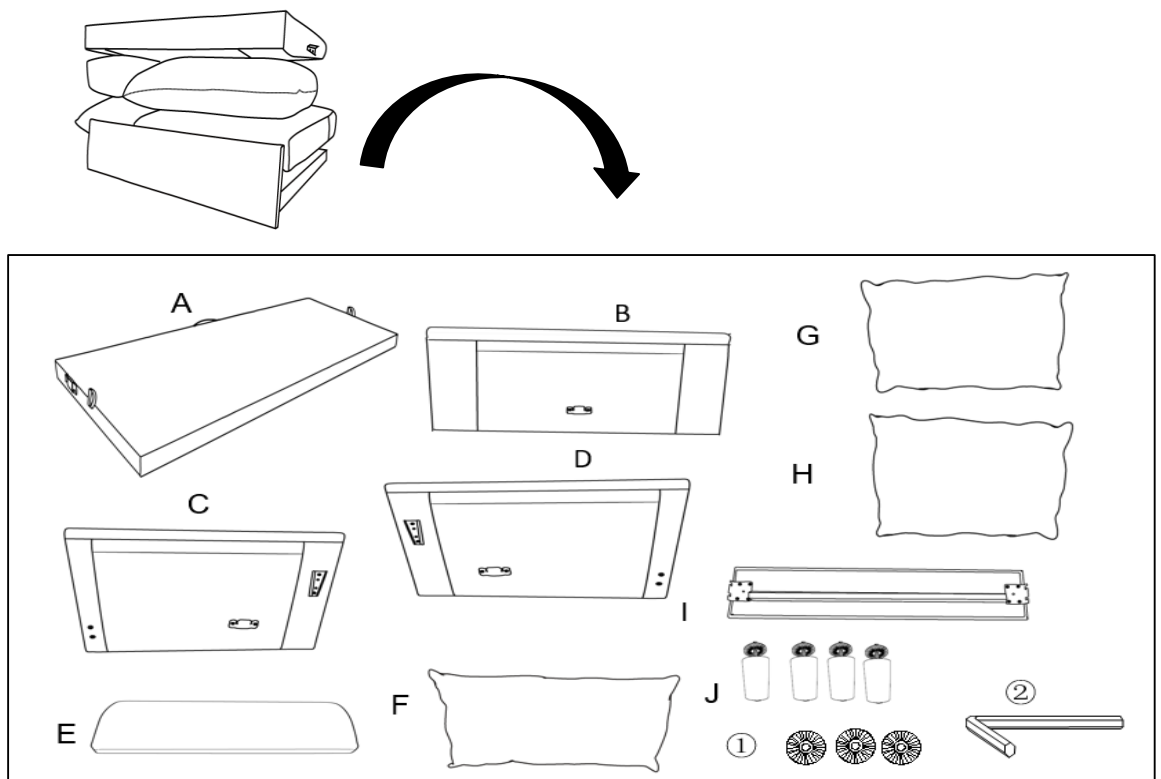
- Save all packaging until finished-

Assembly Steps



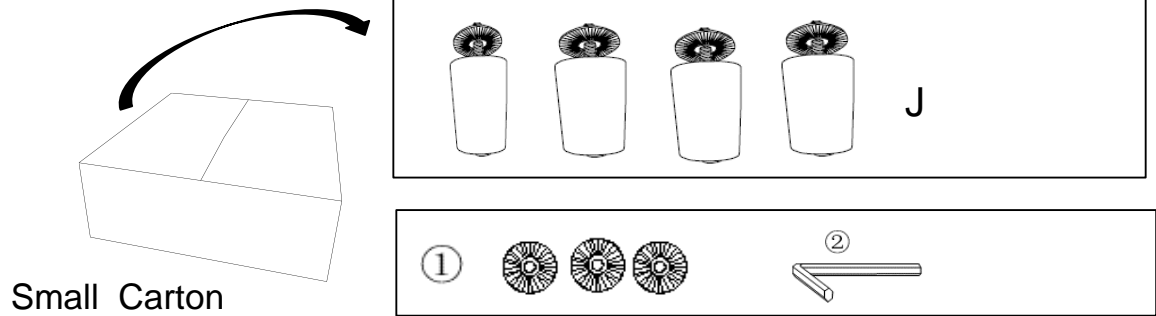
This Chair has multiple parts and may require about 30 minutes to assemble. To give you an overview of the Chair parts, the above picture is to help you put the various parts into perspective. Please read through the instructions below to familiarise yourself with the parts and steps before assembly.

Step 1



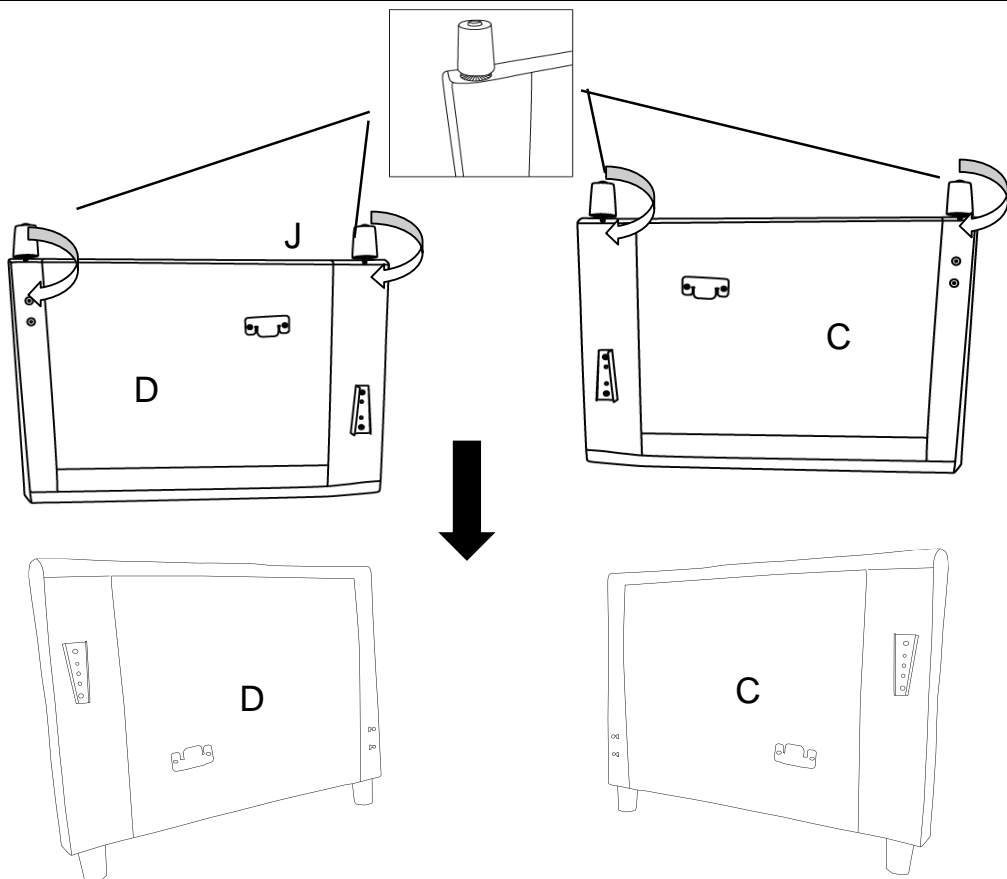
Take the Seat Base(A), Backrest(B), Left Arm(C),Right Arm(D),Seat Cushion(E), Back Cushion(F), Left Arm Cushion (G), Right Arm Cushion(H), Front Seat Board(I), and small carton out from carton and place them on a clean, non-marring surface.

Step 2



Open the Small Carton to take out the Wooden Legs with 1 Plastic Gasket(J) and Hardwares.

Step 3



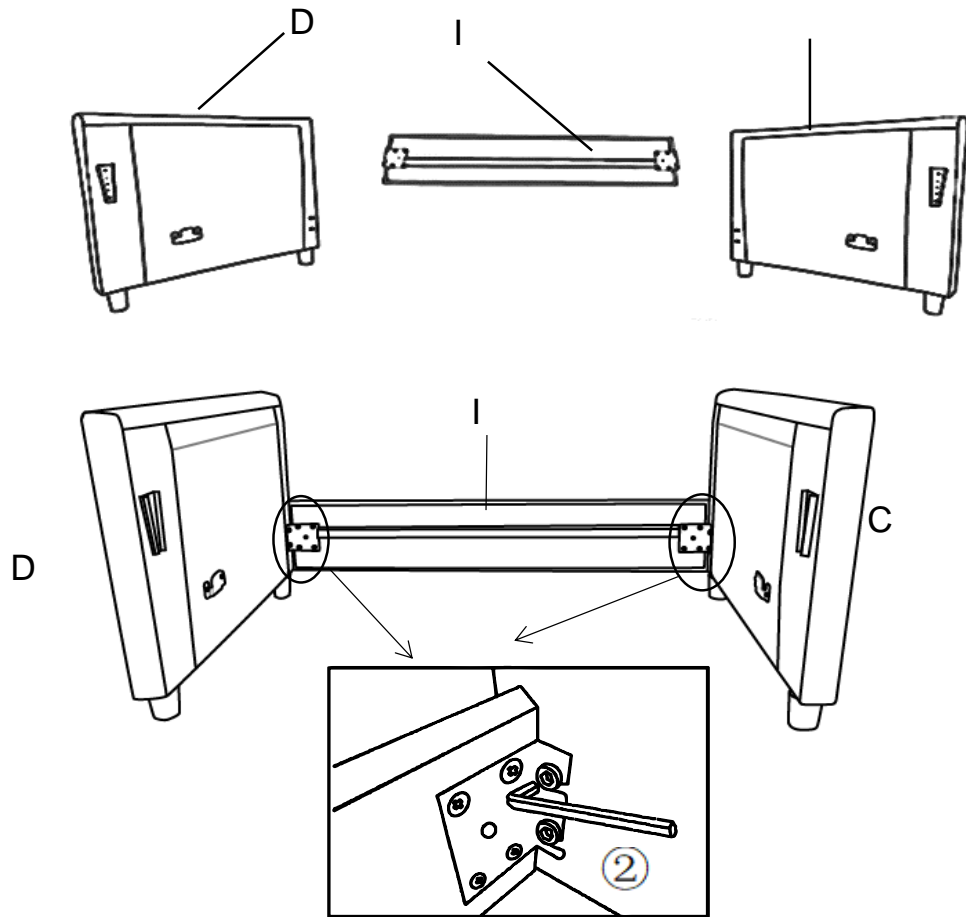
Carefully install the Wooden Leg with 1 Plastic Gasket(J) onto the bottom of the Left Arm(C) and Right Arm(D).

Insert the threaded stem into the mounting positions at the corner of the Left Arm(C) and Right Arm(D). Tighten by turning the Legs clockwise.

Take notice of the shape of the Legs and ensure they are in the correct positions.

Note: The use of Plastic Gaskets are OPTIONAL and are especially useful to help alleviate slight wobbleness. Some Legs may need more than one gasket while some legs may not need any.

Step 4

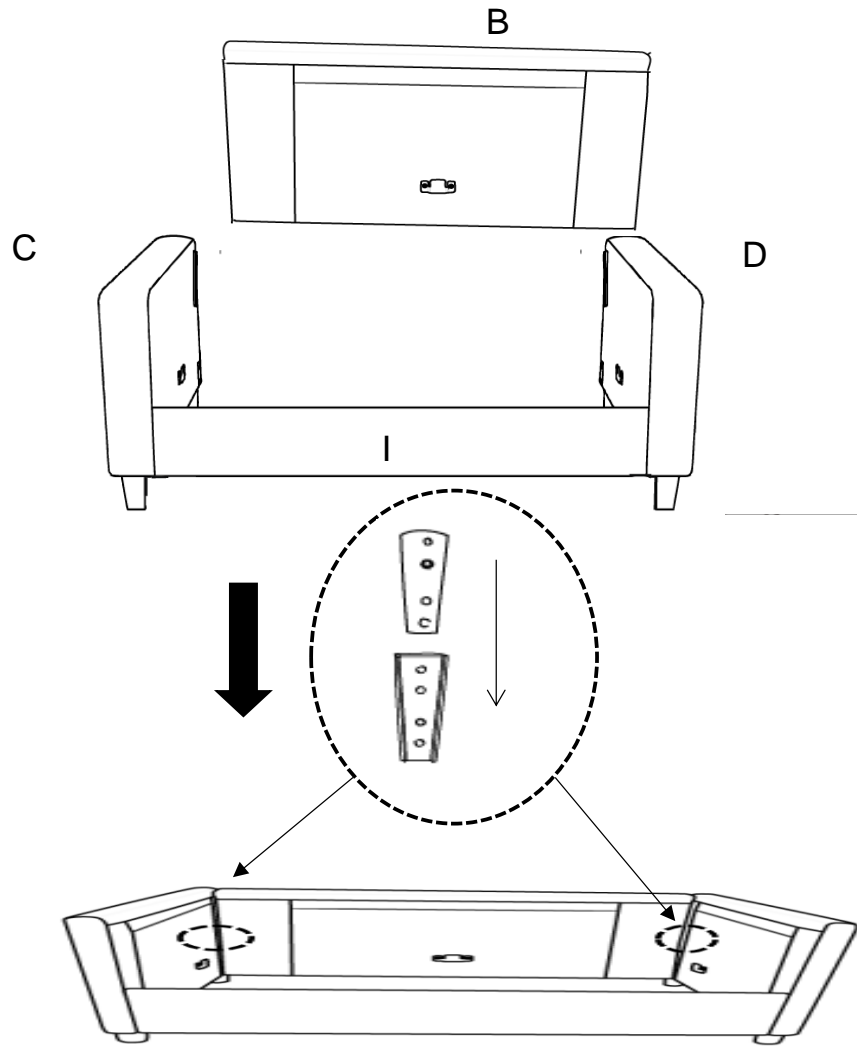


With assistance from your adult partner, position the Left Arm(C) and Right Arm(D) as shown in the picture.

Hold up the Front Seat Board(I) and stand behind both Arms; assemble the Front Seat Board(I) by placing the metal hooks onto the two raised screws that are found on the hind side of both arms and tighten the screws using the Allen Wrench(2).

Tighten one by one and make sure they are fully into position.

Step 5



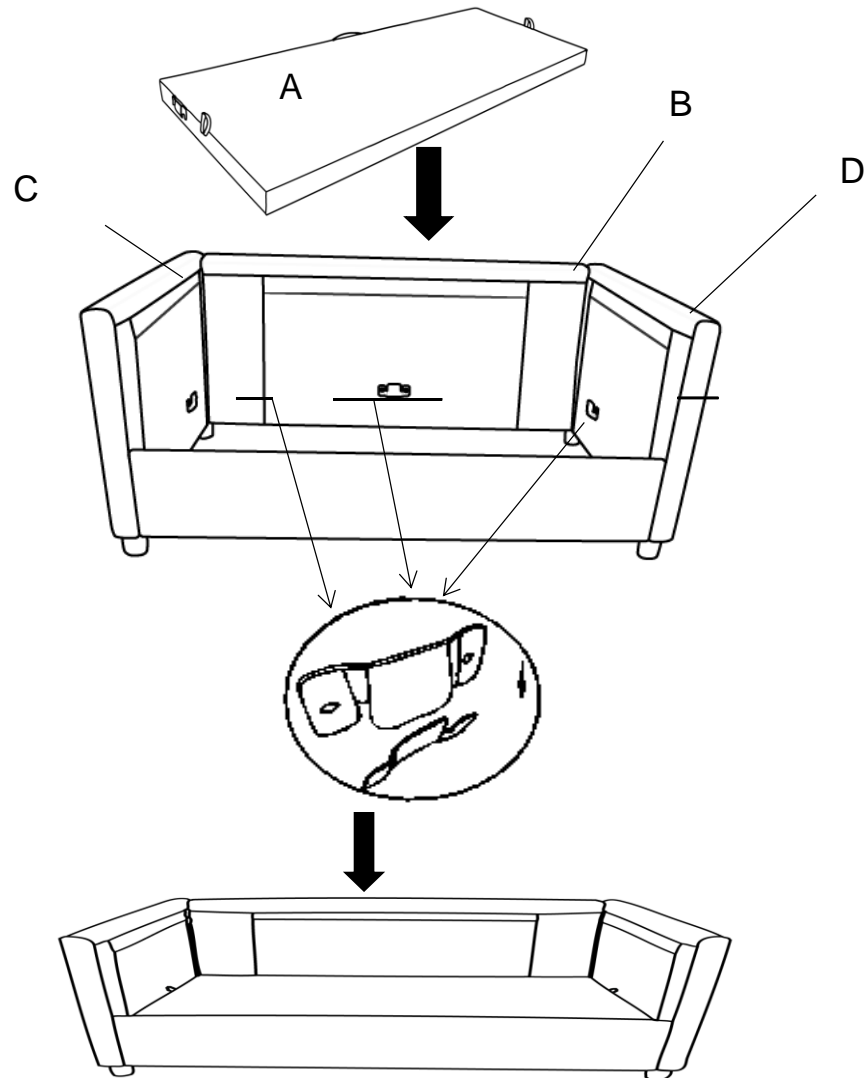
With assistance from your adult partner, position the Left Arm (C) and Right Arm (D) with the Front Seat Board (I) as shown in the picture.

Hold up the Backrest (B) and stand behind both Arms.

Align the mounting brackets on both sides of the Backrest (B) with those on the hind side of the Left Arm (C) and Right Arm (D).

Then slide the Backrest (B) downwards to ensure it locks into place as pictured.

Step 6

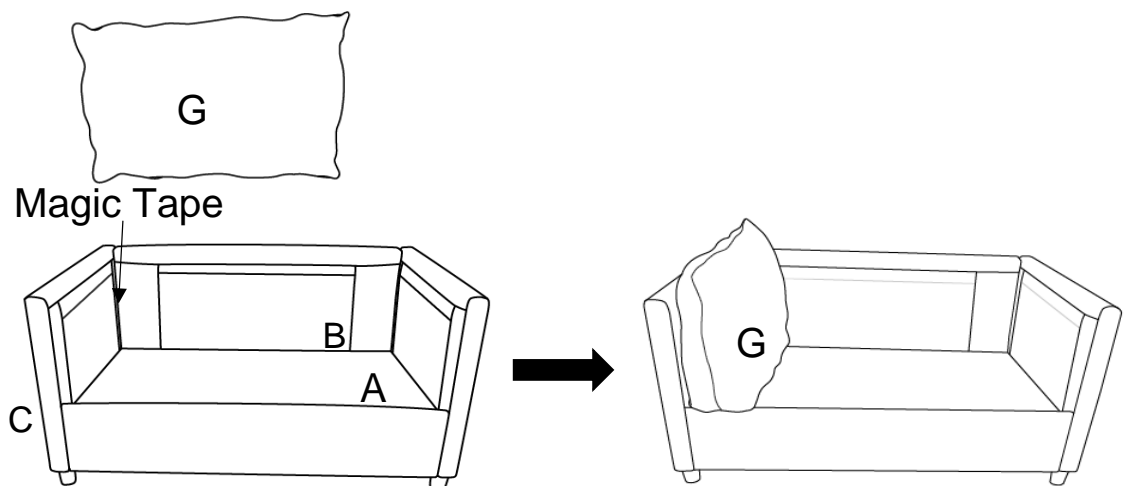


With assistance from your adult partner, hold up the Seat Base(A) above the assembled parts, and place the front side of Seat Base(A) towards the rail of the Front Seat Board(I) as pictured.

Then slide the two downward hooks on each side of the Seat Base(A) into the upward hook slots on the Left Arm(C), Right Arm(D), and Backrest(B).

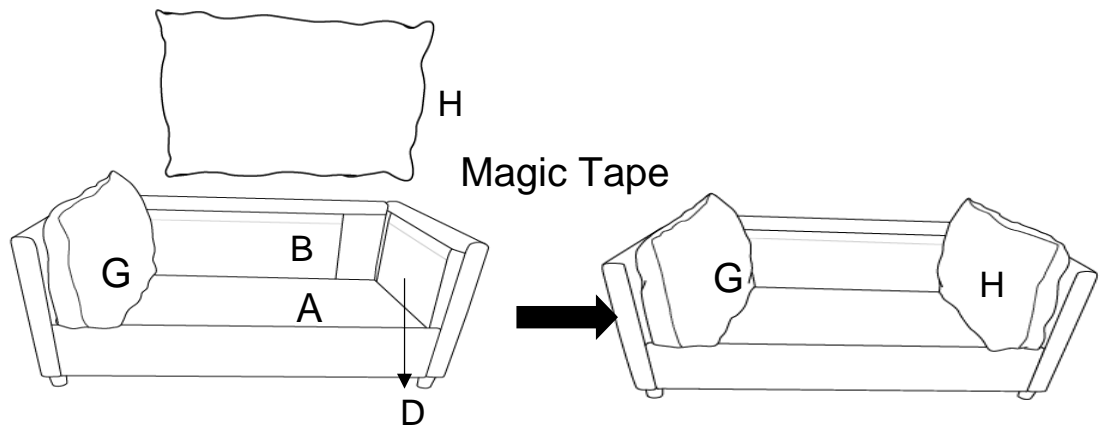
Ensure it is properly in position.

Step 7



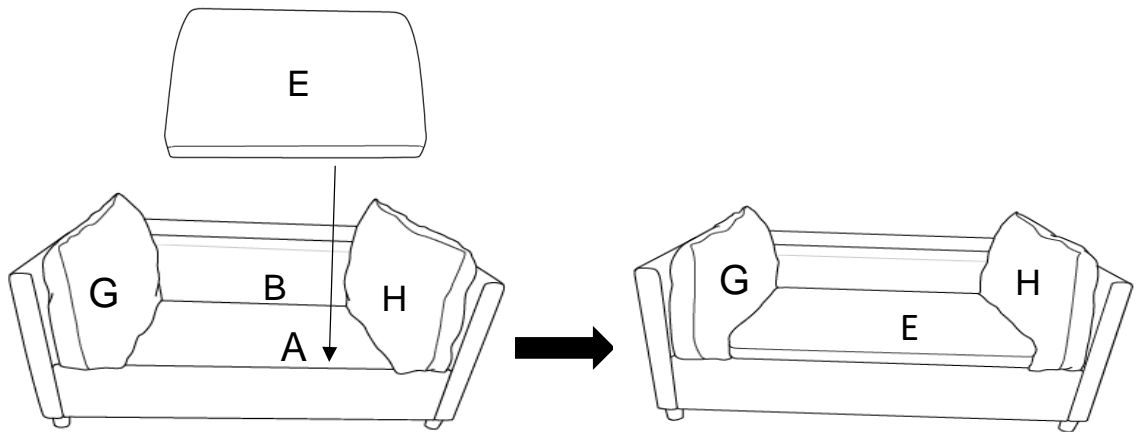
Place the Left Arm Cushion(G) against the Left Arm (C), positioning it onto the Magic Tape.

Step 8



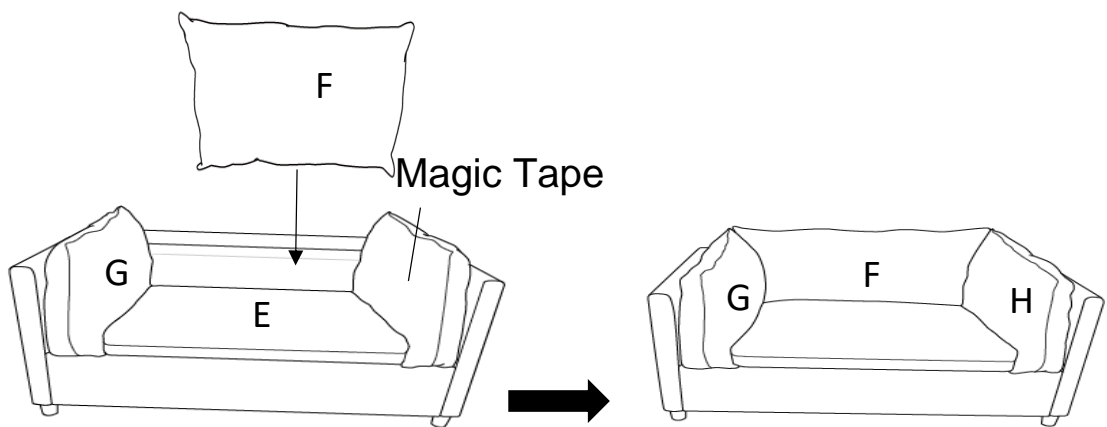
Place the Right Arm Cushion(H) against the Right Arm(D), likewise positioning it onto the Magic Tape.

Step 9



Place the Seat Cushion(E) on the Seat Base(A) and in the right position.

Step 10



Place the Back Cushion(F) against the Backrest(B) positioning it along the magic tape. Ensure it is placed in its proper position.

Ensure all parts are connected and securely locked into position.

Your Chair is ready for use.

This Chair can only be used on a flat, level surface.