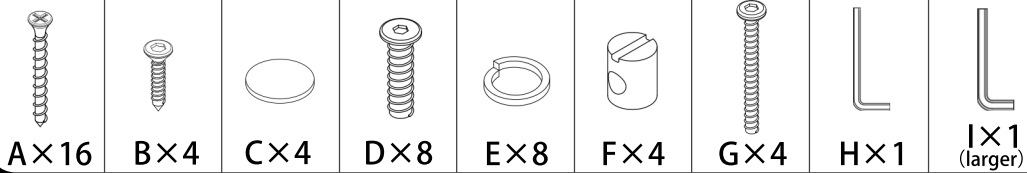
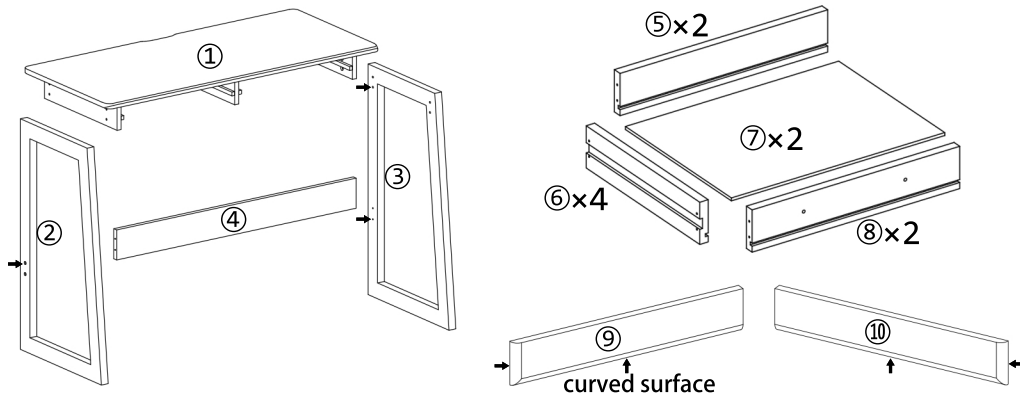
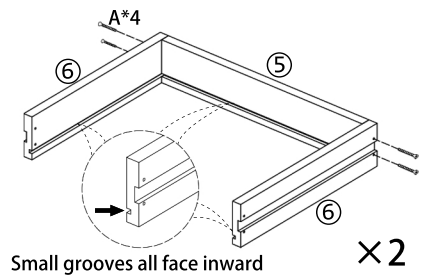


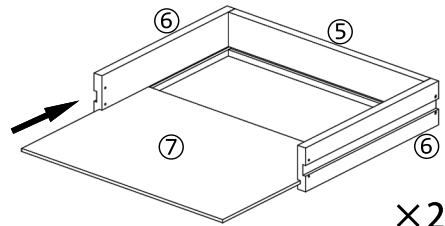
# ASSEMBLY INSTRUCTION



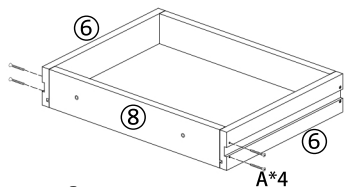
## Installation Steps



Connecting parts ⑤ ⑥.

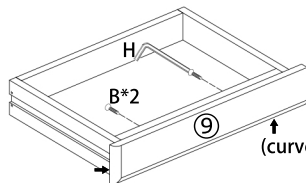


Insert part ⑦ into the groove.

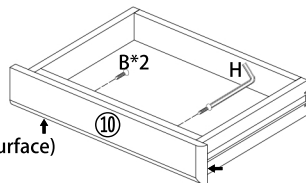


x 2

Connecting parts ⑥ ⑧.  
(Notch facing inwards)



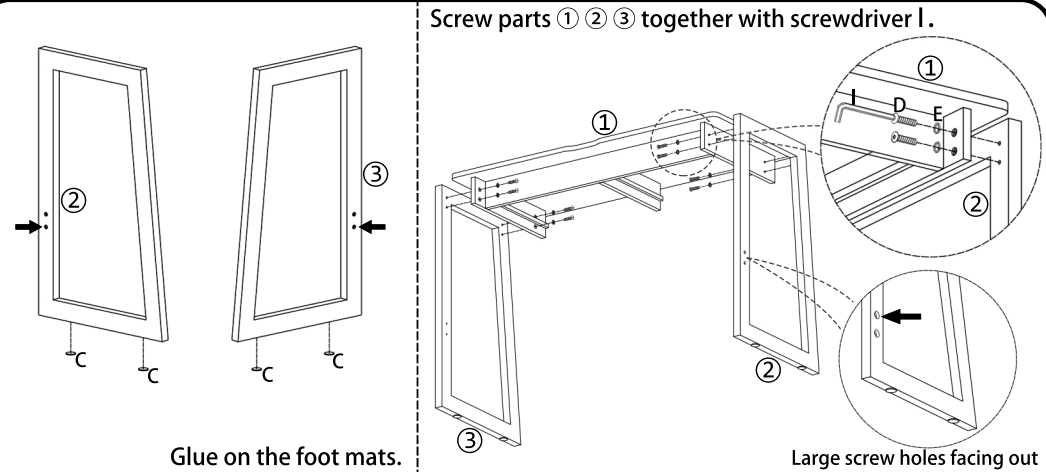
left-hand drawer



right-hand drawer

Mounting part ⑨ ⑩.

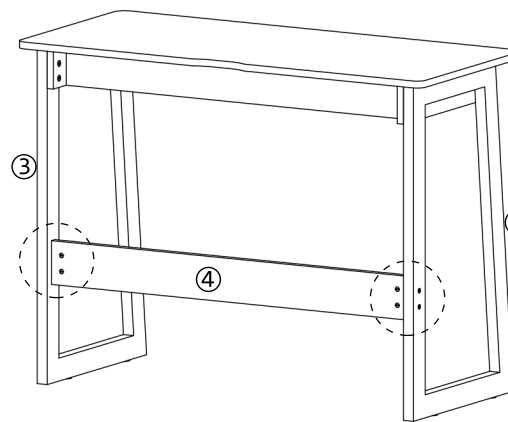
## Installation Steps



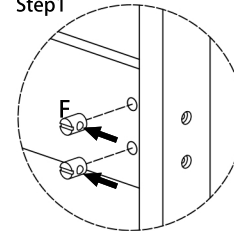
Screw parts ① ② ③ together with screwdriver I.

Glue on the foot mats.

Large screw holes facing out

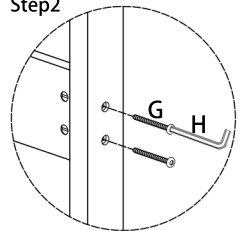


Step1



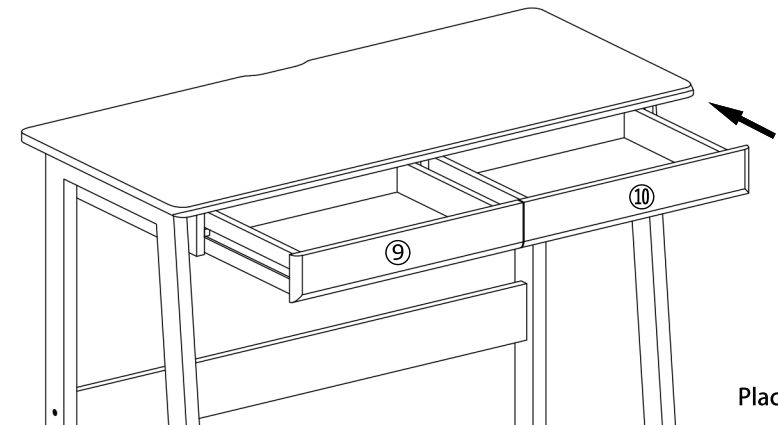
put into part F  
(Note the orientation of the screw holes)

Step2



Tighten the screws.

Screw parts ② ③ ④ together with screwdriver H.



Place the drawer.