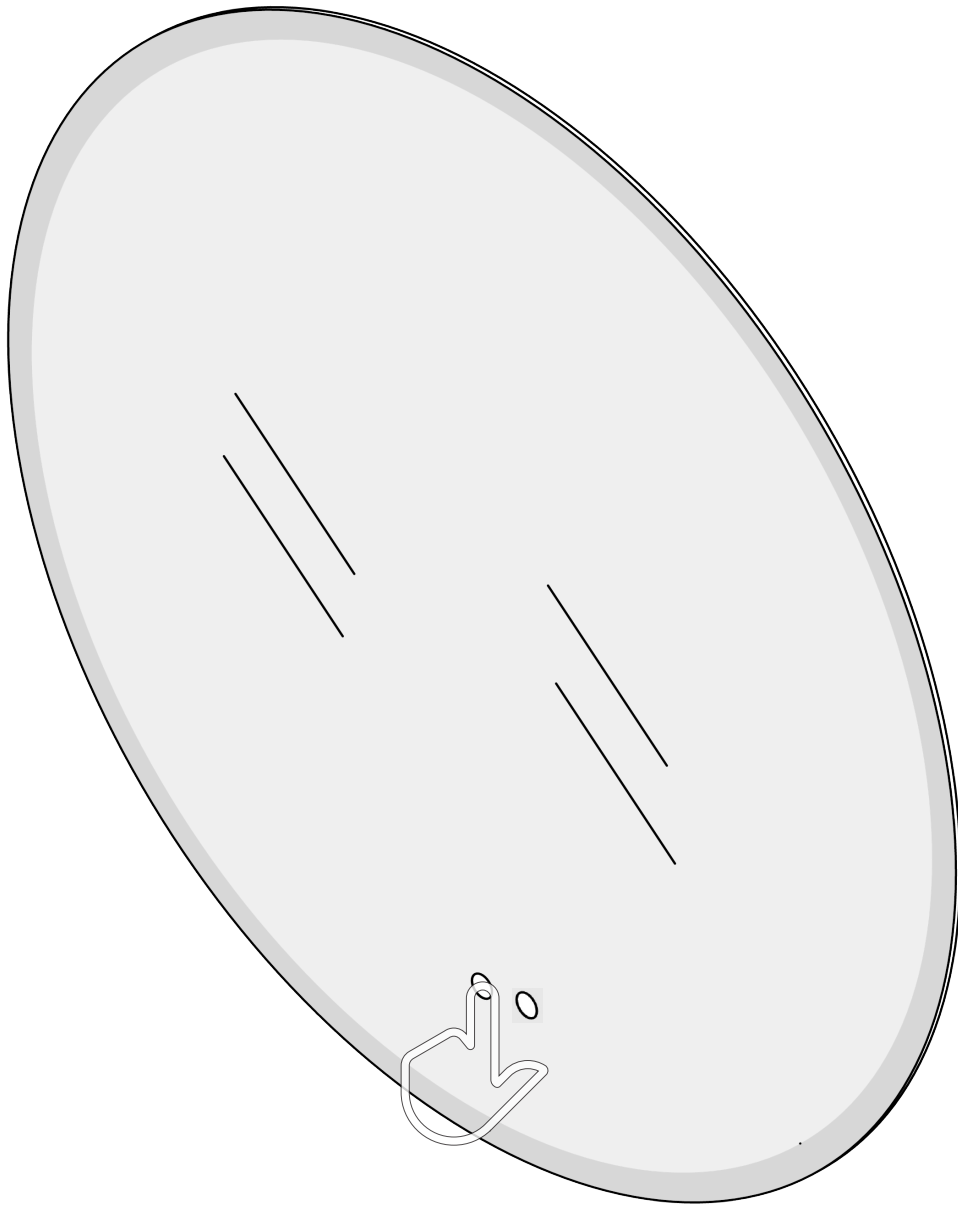
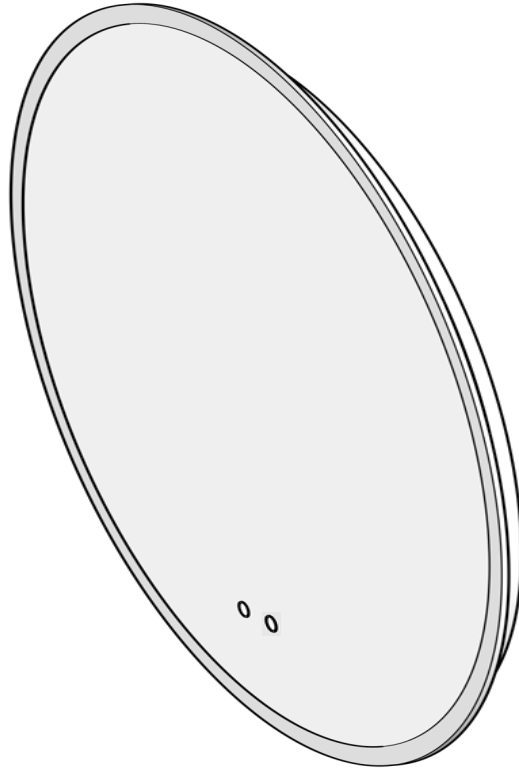


# Bathroom Mirror

## Installation Guide

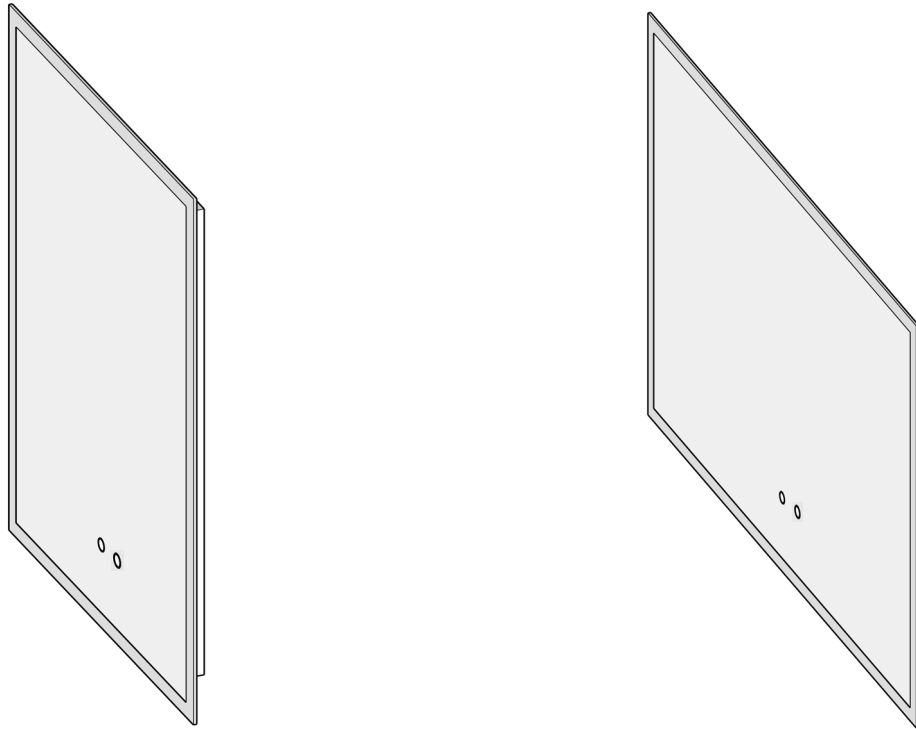


# Dimensions



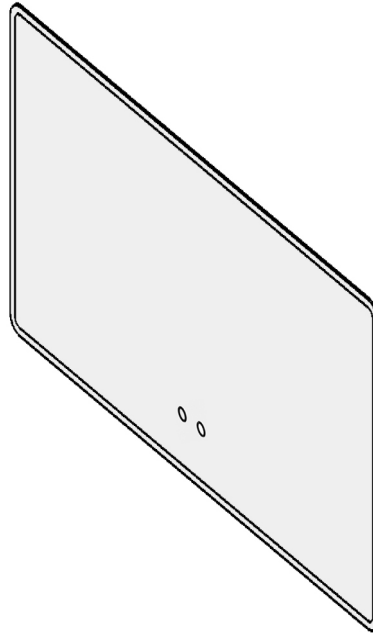
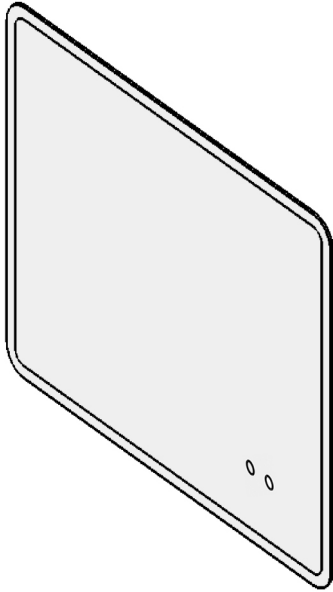
<b>W</b>	19.7"	23.6"	31.5"
<b>H</b>	19.7"	23.6"	31.5"
<b>D</b>	1"	1"	1"
<b>Specifications</b>			
<b>Voltage</b>	100v-130v	100v-130v	100v-130v
<b>Hz</b>	47Hz-63Hz	47Hz-63Hz	47Hz-63Hz
<b>CRI</b>	≥80	≥80	≥80
<b>Kelvin</b>	3000K-6000K	3000K-6000K	3000K-6000K
<b>Maximum Lumens</b>	4212	5148	7332
<b>Defogger Dimensions</b>	5.9" x 7.9"	7.9" x 11.8"	13.8" x 13.8"
<b>Standby Wattage</b>	0.5W	0.5W	0.5W
<b>LED Strip Wattage</b>	≤13.5	≤16.5	≤23.5
<b>Total Wattage</b>	≤21	≤24.5	≤54.2
<b>Color Temperature</b>	warm white-cold white	warm white-cold white	warm white-cold white
<b>LED Lifetime</b>	50000H	50000H	50000H
<b>Waterproof Rate</b>	IP44	IP44	IP44
<b>Defogger Wattage</b>	≤7.5	≤15	≤30.63
<b>LED Strip Length</b>	53"	65"	92.5"

# Dimensions



W	19.7"	29.5"	35.4"	39.4"	47.2"	59"
H	27.6"	23.6"	23.6"	31.5"	31.5"	31.5"
D	1.2"	1.2"	1.2"	1.2"	1.2"	1.2"
<b>Specifications</b>						
Voltage	100v-130v	100v-130v	100v-130v	100v-130v	100v-130v	100v-130v
Hz	47Hz-63Hz	47Hz-63Hz	47Hz-63Hz	47Hz-63Hz	47Hz-63Hz	47Hz-63Hz
CRI	≥80	≥80	≥80	≥80	≥80	≥80
Kelvin	3000K-6000K	3000K-6000K	3000K-6000K	3000K-6000K	3000K-6000K	3000K-6000K
Maximum Lumens	6552	7488	8424	10296	11544	13416
Defogger Dimensions	11.8" x 11.8"	11.8" x 15.7"	11.8" x 19.7"	15.7" x 23.6"	15.7" x 23.6"	15.7" x 23.6"
Standby Wattage	0.5W	0.5W	0.5W	0.5W	0.5W	0.5W
LED Strip Wattage	≤21	≤24	≤27	≤33	≤37	≤43
Total Wattage	≤43.5	≤54	≤64.5	≤93	≤97	≤103
Color Temperature	warm white-cold white	warm white-cold white	warm white-cold white	warm white-cold white	warm white-cold white	warm white-cold white
LED Lifetime	50000H	50000H	50000H	50000H	50000H	50000H
Waterproof Rate	IP44	IP44	IP44	IP44	IP44	IP44
Defogger Wattage	≤22.5	≤30	≤37.5	≤60	≤60	≤60
LED Strip Length	82.7"	94.5"	106.3"	130"	145.7"	169.3"

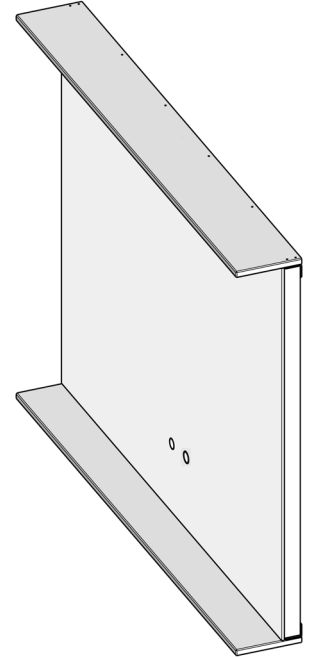
# Dimensions



W	29.5"	35.4"	39.4"	47.2"	59"
H	23.6"	23.6"	31.5"	31.5"	31.5"
D	1.2"	1.2"	1.2"	1.2"	1.2"
<b>Specifications</b>					
Voltage	100v-130v	100v-130v	100v-130v	100v-130v	100v-130v
Hz	47Hz-63Hz	47Hz-63Hz	47Hz-63Hz	47Hz-63Hz	47Hz-63Hz
CRI	≥80	≥80	≥80	≥80	≥80
Kelvin	3000K-6000K	3000K-6000K	3000K-6000K	3000K-6000K	3000K-6000K
Maximum Lumens	7488	8424	10296	11544	13416
Defogger Dimensions	11.8" x 15.7"	11.8" x 19.7"	15.7" x 23.6"	15.7" x 23.6"	15.7" x 23.6"
Standby Wattage	0.5W	0.5W	0.5W	0.5W	0.5W
LED Strip Wattage	≤24	≤27	≤33	≤37	≤43
Total Wattage	≤54	≤64.5	≤93	≤97	≤103
Color Temperature	warm white-cold white	warm white-cold white	warm white-cold white	warm white-cold white	warm white-cold white
LED Lifetime	50000H	50000H	50000H	50000H	50000H
Waterproof Rate	IP44	IP44	IP44	IP44	IP44
Defogger Wattage	≤30	≤37.5	≤60	≤60	≤60
LED Strip Length	94.5"	106.3"	130"	145.7"	169.3"

# Dimensions

W	29.5"	35.4"	39.4"	47.2"	59"
H	23.6"	23.6"	31.5"	31.5"	31.5"
D	1.2"	1.2"	1.2"	1.2"	1.2"
Specifications					
Voltage	100v-130v	v100v-130v	100v-130v	100v-130v	100v-130v
Hz	47Hz-63Hz	47Hz-63Hz	47Hz-63Hz	47Hz-63Hz	47Hz-63Hz
CRI	≥80	≥80	≥80	≥80	≥80
Kelvin	3000K-6000K	3000K-6000K	3000K-6000K	3000K-6000K	3000K-6000K
Maximum Lumens	4680	5616	6240	7488	9360
Defogger Dimensions	11.8" x 15.7"	11.8" x 19.7"	15.7" x 23.6"	15.7" x 23.6"	15.7" x 23.6"
Standby Wattage	0.5W	0.5W	0.5W	0.5W	0.5W
LED Strip Wattage	≤15	≤18	≤20	≤24	≤3
Total Wattage	≤45	≤55.5	≤80	≤84	≤90
Color Temperature	warm white-cold white	warm white-cold white	warm white-cold white	warm white-cold white	warm white-cold white
LED Lifetime	50000H	50000H	50000H	50000H	50000H
Waterproof Rate	IP44	IP44	IP44	IP44	IP44
Defogger Wattage	≤30	≤37.5	≤60	≤60	≤60
LED Strip Length	59"	70.9"	78.7"	94.5"	118"



## Some Support:



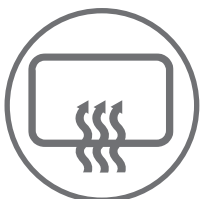
Wall Switch



Touch Sensor



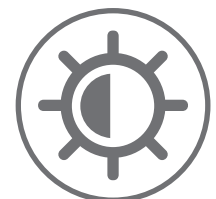
Brightness Memory



Anti-fog



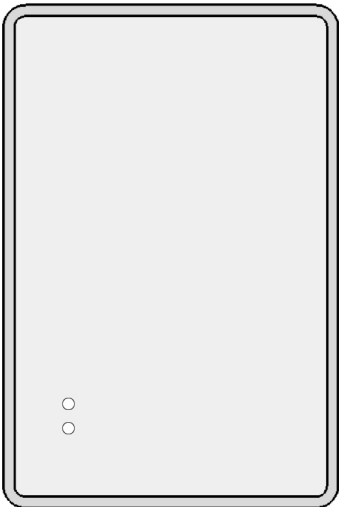
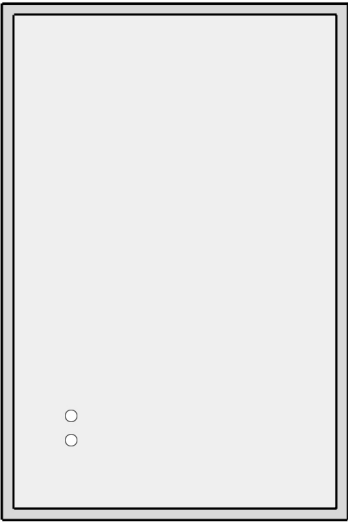
Energy Saving



Dimmable

# Models can be hung vertically or horizontally

---



# Safety instructions

---



## **WARNING:**

- 1.To reduce the risk of burns, fire, electric shock or injury to persons.
- 2.Use this furnishing only for its intended use as described in these instructions.
- 3.Do not use attachments not recommended by the manufacturer.
- 4.Never drop or insert any object into any opening.
- 5.Keep the cord away from heated surfaces.
- 6.Do not use outdoors.

## **Electric Connections:**

### **ALL WIRING SHOULD BE DONE BY A QUALIFIED LICENCED ELECTRICIAN**

1. Shut off power before wiring the mirror.
- 2.An Electrical option mirror must be wired to a Ground Fault Interrupter protected circuit when used in bathrooms and all other locations required by the National Electric Code.

## **Grounding Instructions:**

This product must be connected to a grounded metal, permanent wiring system, or an equipmentgrounding conductor must be run with the circuit conductors and connected to the equipmentgrounding terminal or lead on the product.

## **Care And Maintenance:**

- 1.Clean the mirror with a soft, damp cloth and dry thoroughly with a soft towel.
  - 2.Do NOT allow the edges of the mirror to get or remain wet over a period of time.
  - 3.Never use ammonia, abrasives, bleach or solvent based cleaners.
  - 4.Never spray any cleaner directly onto a mirror.
  - 5.Instead apply the cleaner to a soft cloth and then wipe the mirror.
  - 6.Make sure no commercial cleaner comes in contact with the edge or backing.
-

# Something needed

## Tools Required:



leveling instrument



Pen



Tape measure



Screwdriver



Hammer

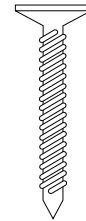


Drill

## Parts Included:



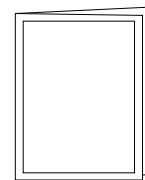
1



2



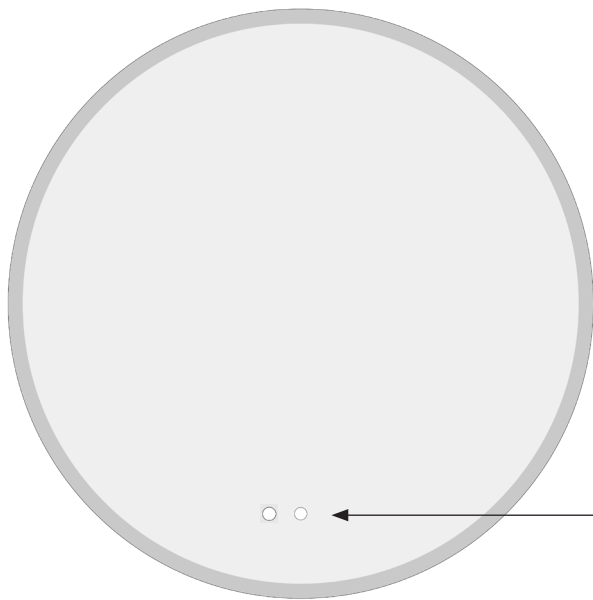
3



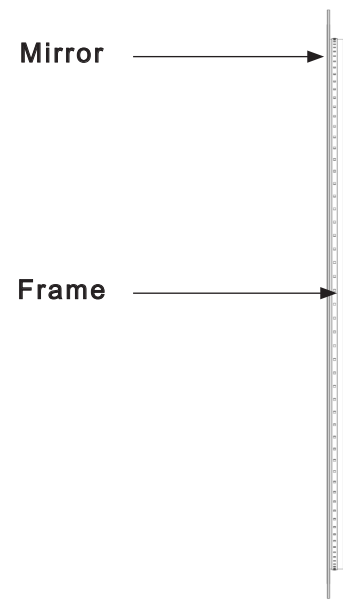
4

	Name	QTY
1	Mirror	1
2	Screws	2
3	Plastic Anchor	2
4	Installation Instructions	1

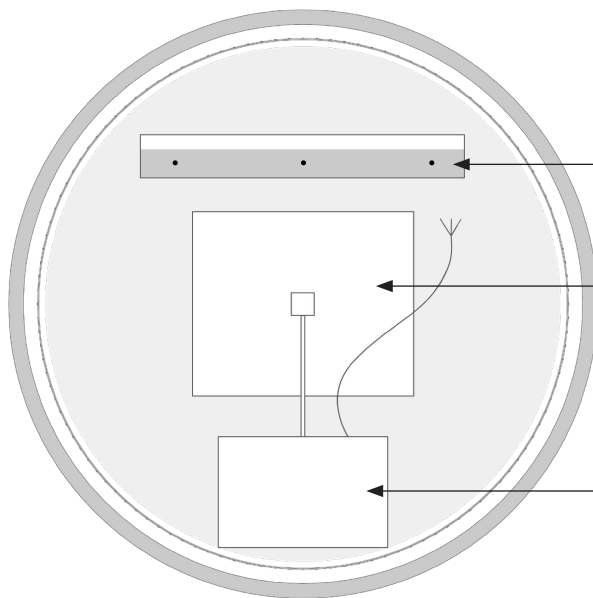
# Detailed components



**Front view**



**Side view**



**Back view**

Hanging Hole

Defogger

Waterproof Box

# How to assemble

## NOTE:

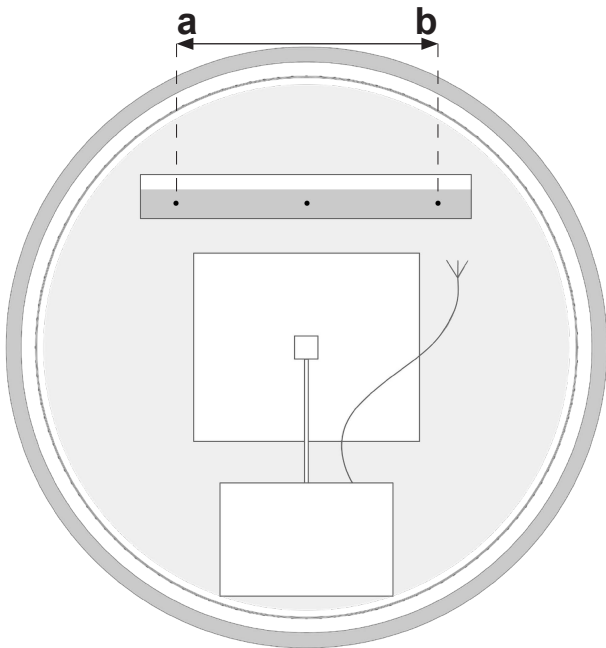
Carefully hold the mirror up from the package, and always place the mirror on a soft surface e.g. carpet or folded towels.

**DO NOT** touch the frosted glass strips on the back of the mirror.

**DO NOT** remove protective film or corner protectors until the mirror is completely installed.

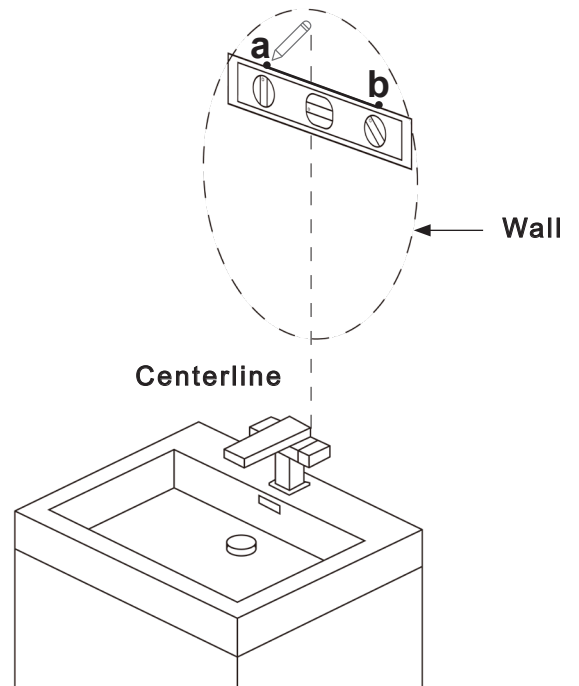
## STEP 1:

Measure the distances between two hanging holes on the back of mirror.



## STEP 2:

Draw a horizontal line on the wall to the desired height and mark the drilling locations on the line according to your plan.

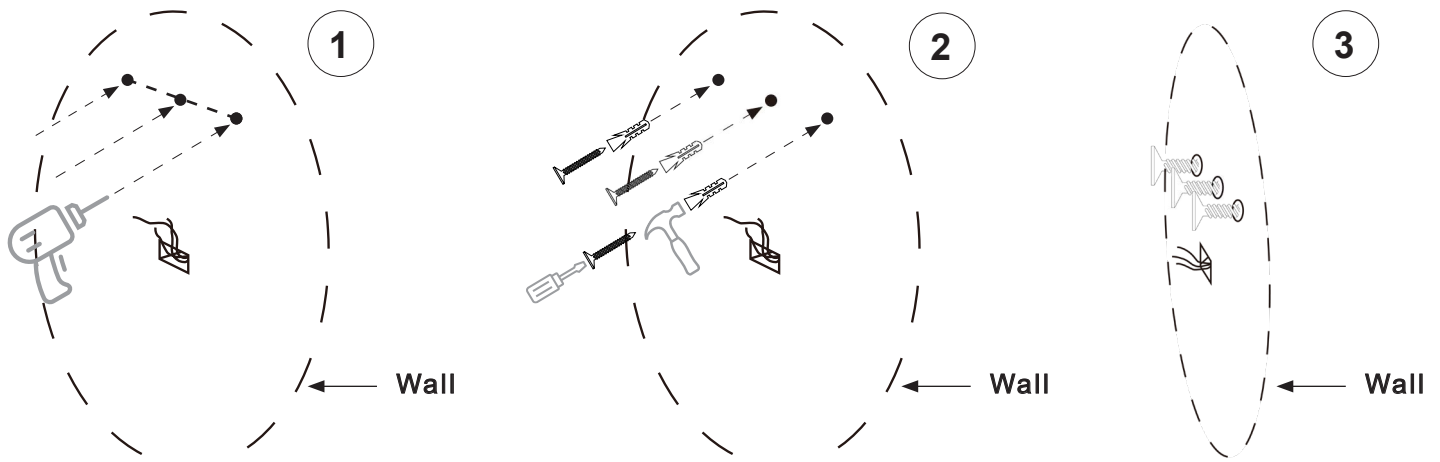


## STEP 3:

Drill holes with 15/64 " drill bit in the marked positions to a suitable depth.

Insert wall plugs and screws provided.

\*Before drilling, ensure there are no hidden cables or pipes behind the mounting points.

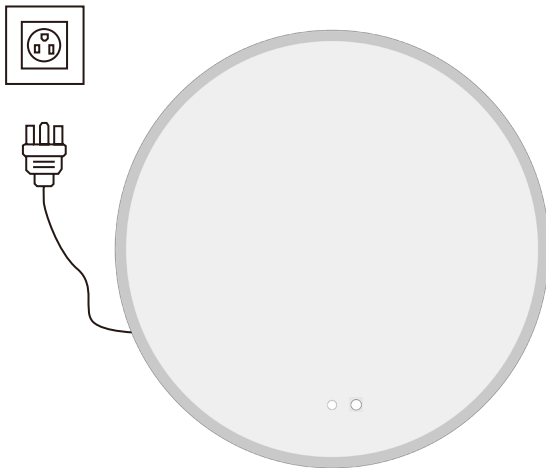


# How to assemble

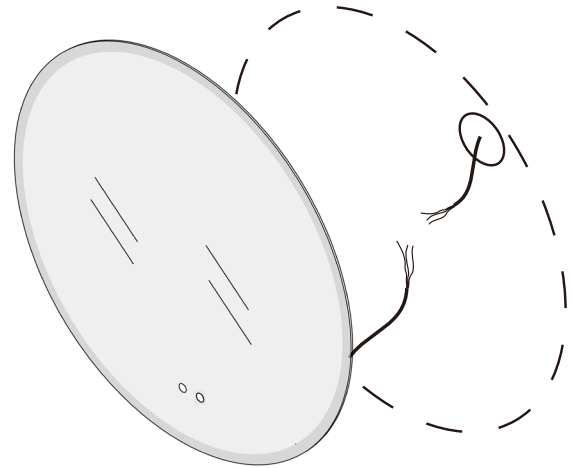
## STEP 4:

If the reserved socket is on the wall behind the mirror, plug-in or hardwire to the power supply at this moment.

**\*2 ways connection:**



1 Plug to the socket nearby.

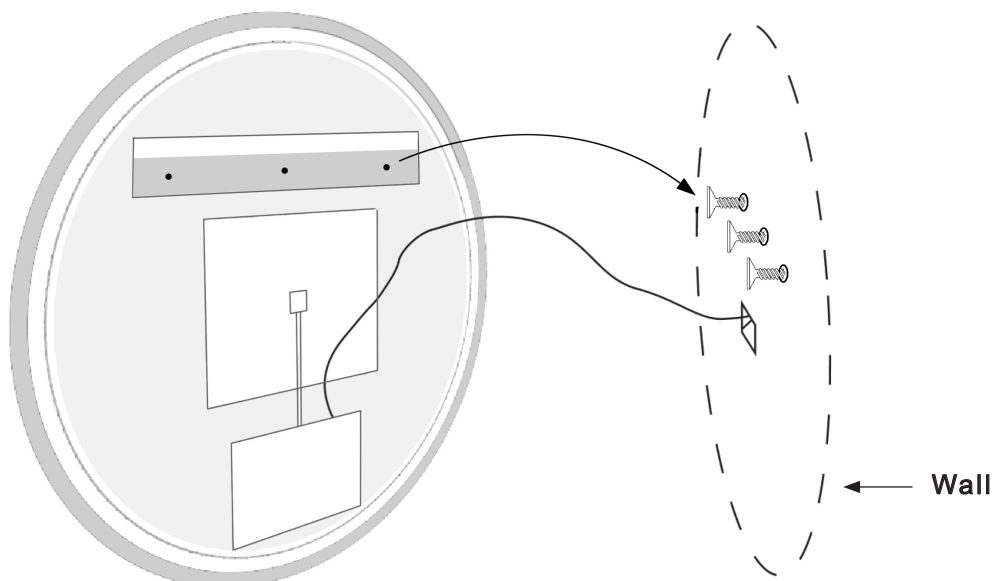


2 Cut the wire and connect it to the reserved electrical wiring.

**⚠ WARNING:** Shut off power before wiring the mirror!

## STEP 5:

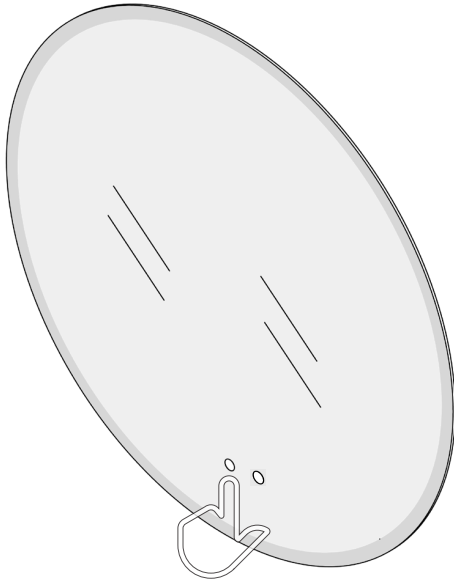
With the help of another person, Carefully hold the mirror and hang it by attaching the bracket onto the screws fitted to the wall. Ensure mirror is securely mounted.



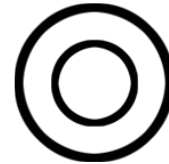
# Operation and warranty

---

## Operation:



**Defogger  
Switch**



**Light Switch  
/ Brightness  
Adjustment**

1. The button is white when it opens and blue when it closes.
2. Soft touch the light switch to change between the 3 light temperatures: cold, neutral and warm.
3. Touch and hold the light switch to change the brightness.
4. Both switches have the memory function. The next time you open the mirror, it will be in the same status as it was closed.

## Warranty:

All shipments are carefully inspected and counted before leaving our distribution centers. Please inspect carefully on receipt of merchandise, noting any discrepancy or damage on the carrier's freight bill at that time.

**We offer a 1-year Limited warranty on our mirror products.**

Defective products should be returned to place of purchase for replacement. Returns will be handled by product replacement. Defects or damage caused to product by the consumer are not accepted.

---