



# PRESSURE BALANCE VALVE

- *Pressure Balance Valve and Rough Assembly*
- *Fits Ultra Twist and Z Tub and Shower Trims*

## STANDARD SPECIFICATIONS

- Ceramic disc cartridge
- Cast brass valve body with built-in check valves
- 1/2" CC and IPS connections
- Integral diverter
- 2.4gpm min @ 20psi for spout

## WARRANTY

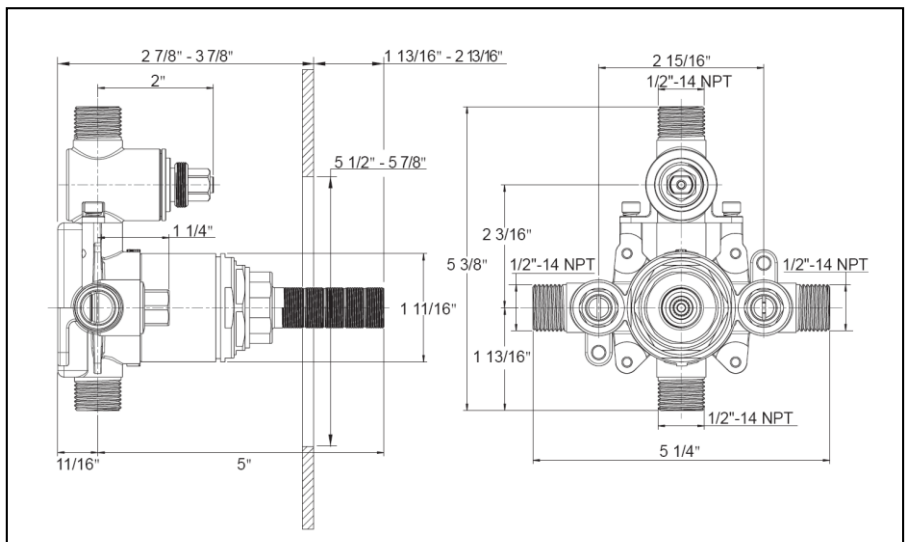
- Limited lifetime warranty on workmanship and materials to the original purchaser

## COMPLIES WITH

- NSF 61-9
- ASME A112.18.1
- CSA B125.1
- cUPC



C



tel. 888-OK-ULTRA (658-5872) • fax. 949-252-9989 • <http://www.ultrafaucets.com>

*This specification is provided for reference only. Ultra Faucets reserves the right to modify specifications and materials without notice or obligation.*

# Shower only Trim

- **Z Collection**
- **Single-Handle Shower Only Trim**

## STANDARD SPECIFICATIONS

- Multifunction showerhead
- Stainless steel escutcheon
- Zinc handle
- Flow Rate: 1.8gpm Max @ 80psi
- cUPC / EPA WaterSense certified
- ADA compliant
- Finishes: Polished Chrome / PVD Brushed Nickel / Oil Rubbed Bronze / Matte Black



## FINISHES INCLUDE

- Chrome(UF79600-1)
- PVD Brushed Nickel(UF79603-1)
- Oil Rubbed Bronze(UF79605-1)
- Matte Black(UF79607-1)

## WARRANTY

- Limited lifetime warranty on workmanship and materials to the original purchaser

## COMPLIES WITH

- NSF 61-9
- ASME A112.18.1
- CSA B125.1
- IAPMO/UPC/cUPC
- AB1953

