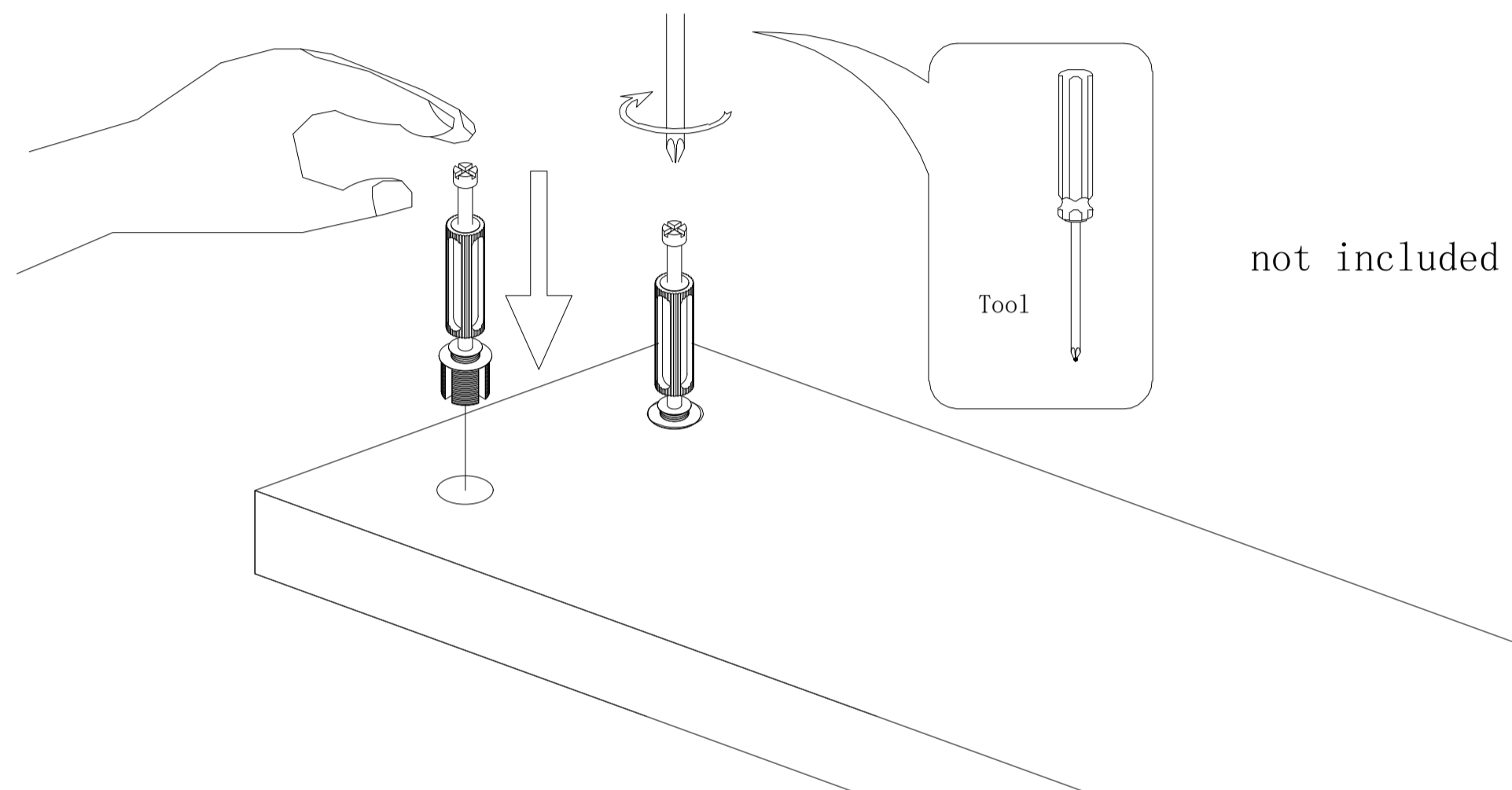




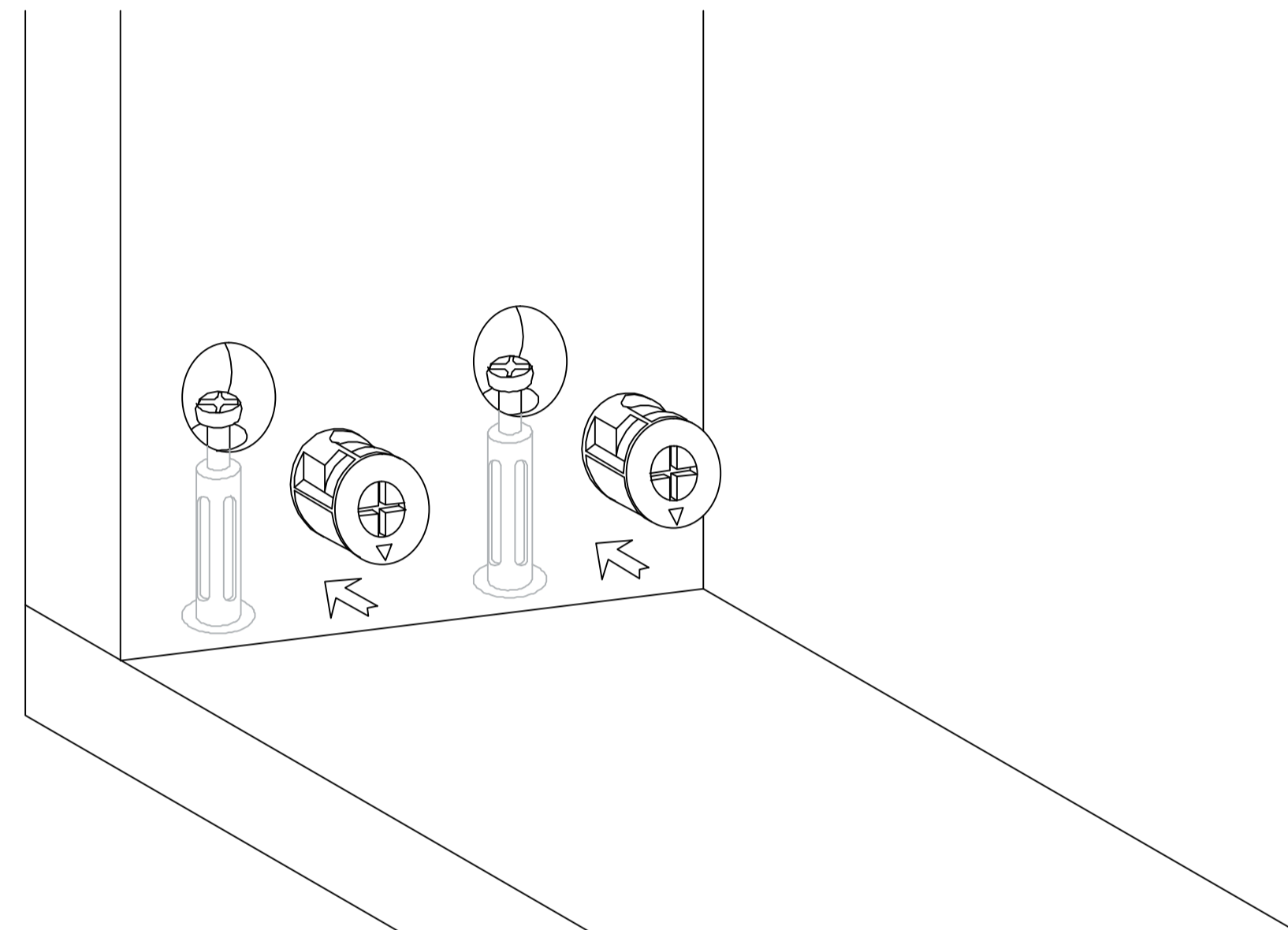
# Hardware installation demonstration

NOTE: Please make sure "A" hardware tightened and can't be pulled out!

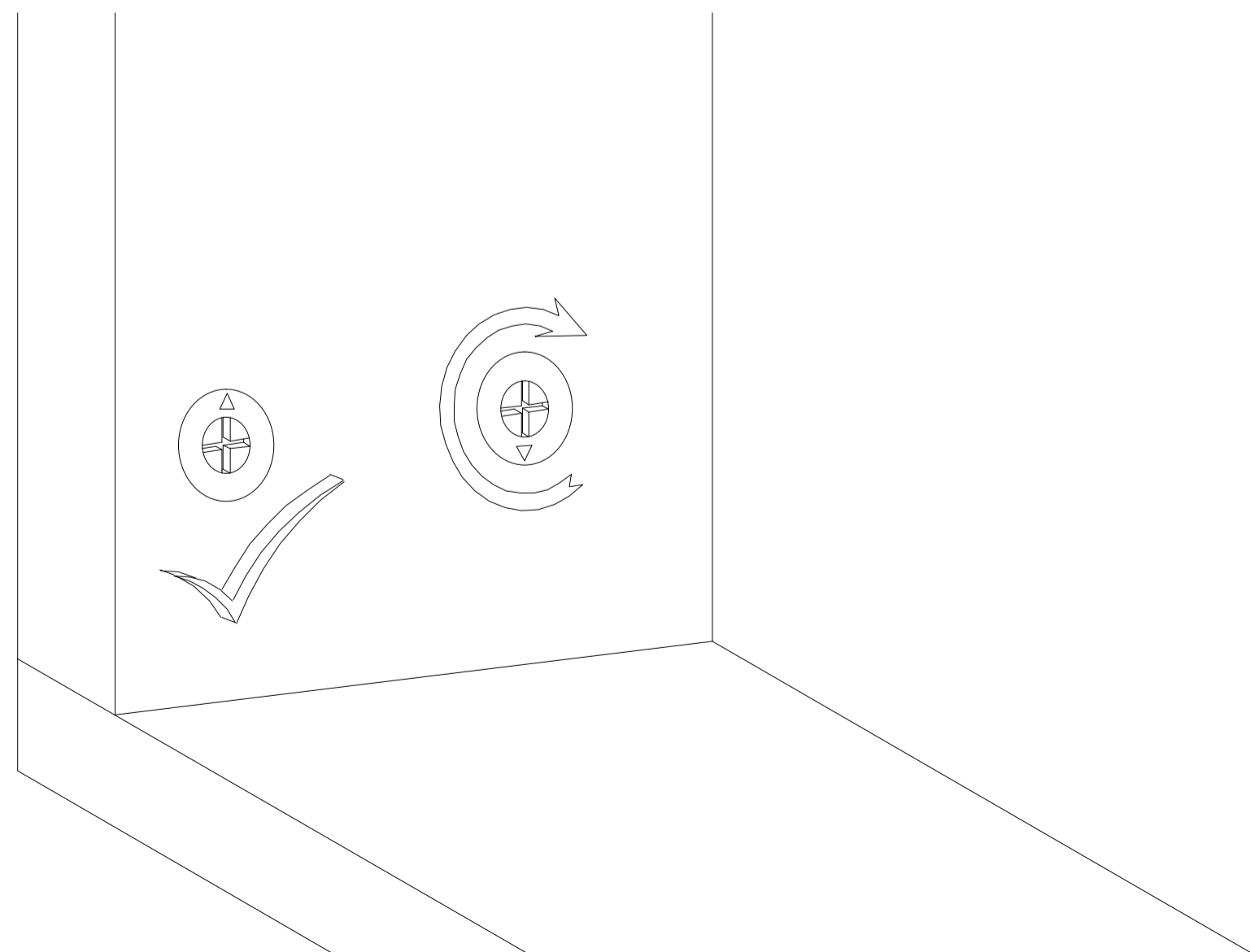
I

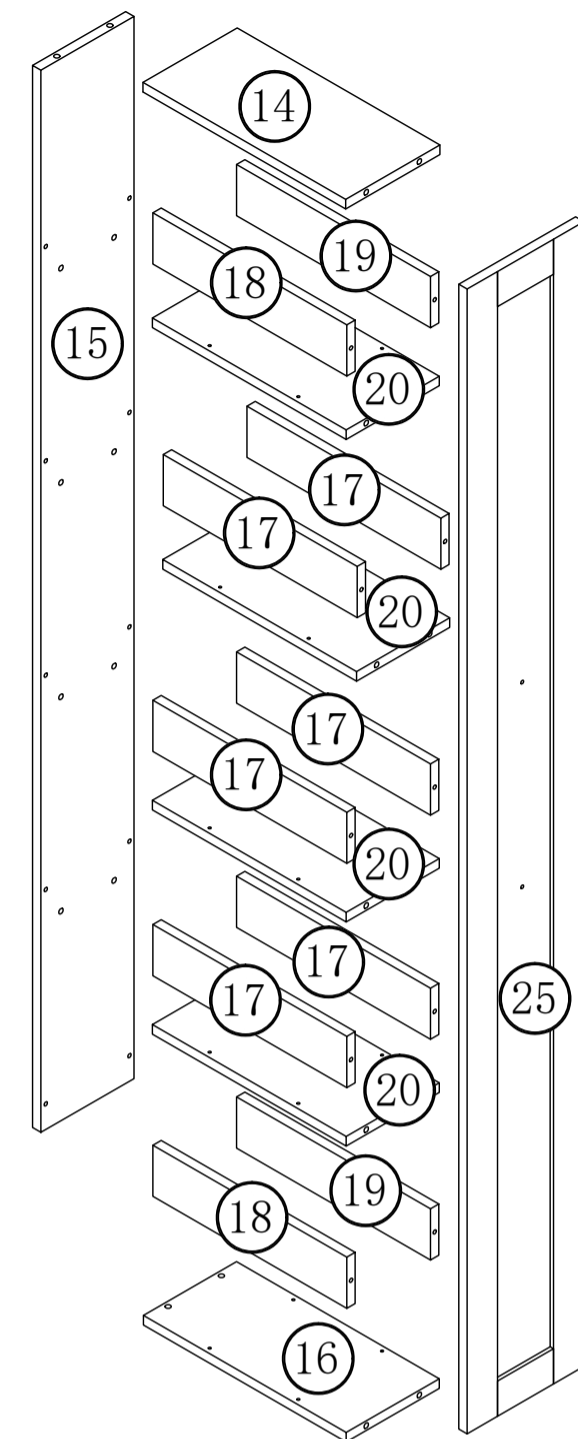
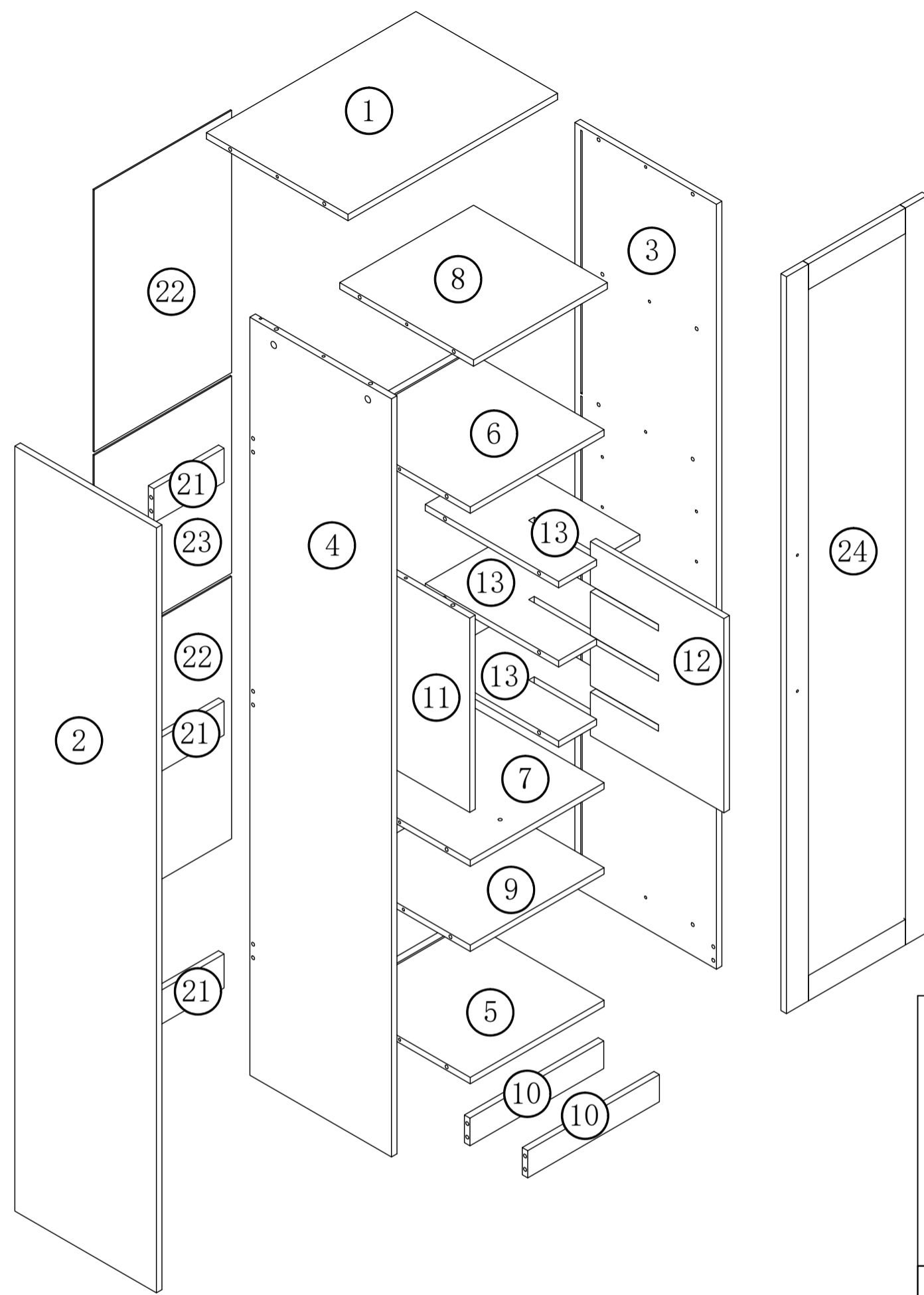


II



III

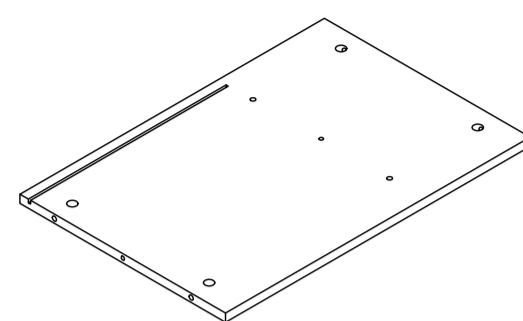




<p><b>A</b></p> <p>74PCS</p>	<p><b>B</b></p> <p>74PCS</p>	<p><b>C</b> 8*40</p> <p>48PCS</p>	<p><b>D</b> 7*50</p> <p>20PCS</p>	<p><b>E</b></p> <p>2PCS</p>	<p><b>F</b> 4*18</p> <p>2PCS</p>	<p><b>G</b> 4*12</p> <p>2PCS</p>	<p><b>H</b></p> <p>1PC</p>	<p><b>I</b></p> <p>4PCS</p>	<p><b>J</b></p> <p>4PCS</p>
<p><b>M</b> 3*12</p> <p>12PCS</p>	<p><b>N</b> 3.5*14</p> <p>60PCS</p>	<p><b>O</b> 4*50</p> <p>2PCS</p>	<p><b>P</b> 8*40</p> <p>2PCS</p>	<p><b>Q</b></p> <p>12PCS</p>	<p><b>R</b></p> <p>62PCS</p>	<p><b>K</b></p> <p>350mm</p> <p>K1 K2</p> <p>2PCS</p>		<p><b>L</b></p> <p>L2 L1</p> <p>2PCS</p>	

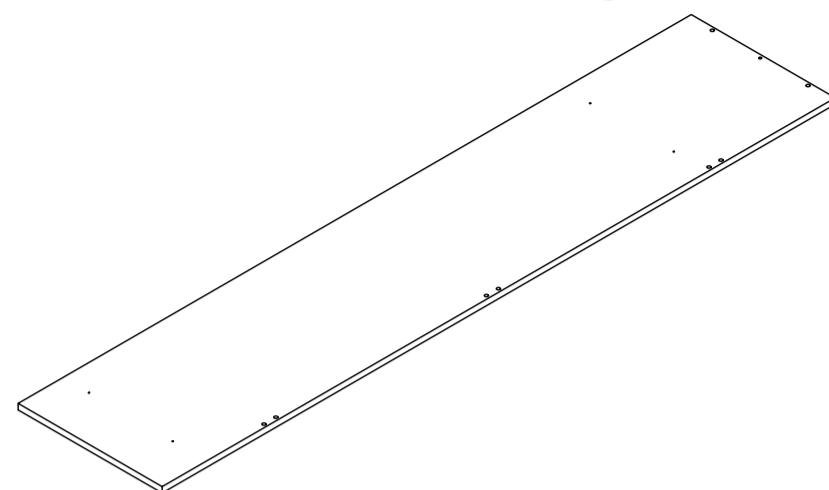
1

570\*385(mm)  
22.44\*15.16(inch)  
1PC



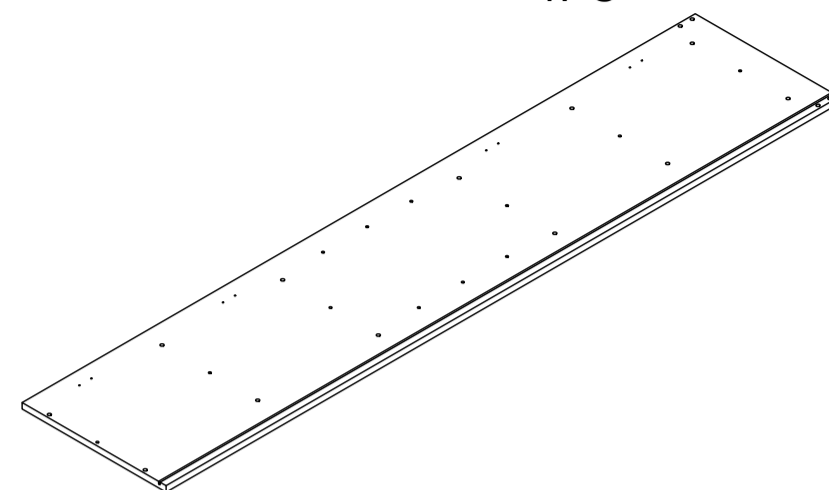
2

1800\*385(mm)  
70.87\*15.16(inch)  
1PC



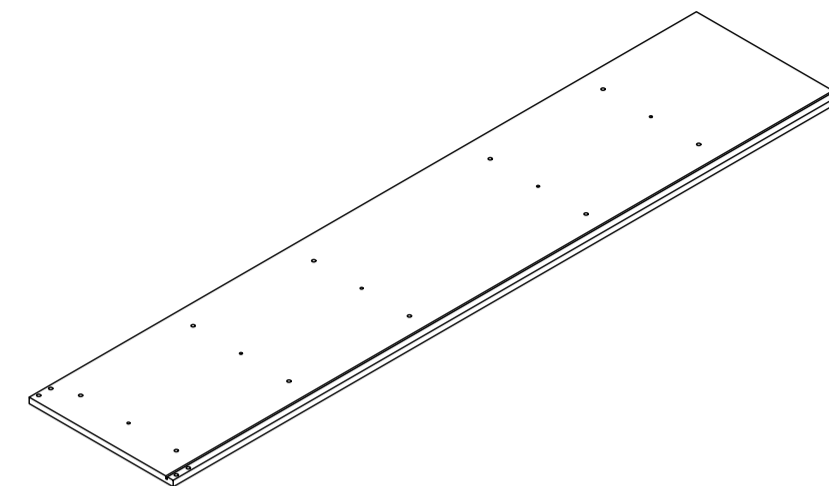
3

1800\*385(mm)  
70.87\*15.16(inch)  
1PC



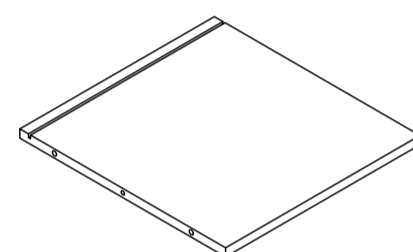
4

1784\*385(mm)  
70.24\*15.16(inch)  
1PC



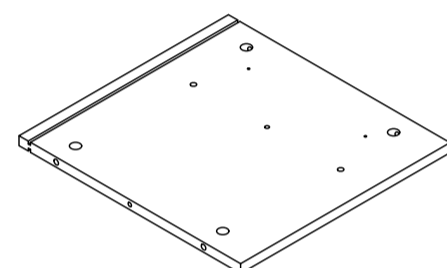
5

385\*364(mm)  
15.16\*14.33(inch)  
1PC



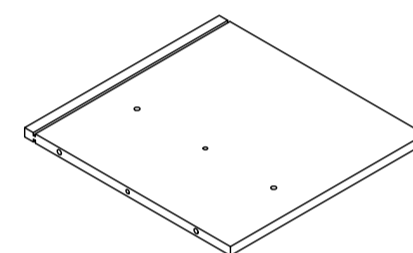
6

385\*364(mm)  
15.16\*14.33(inch)  
1PC



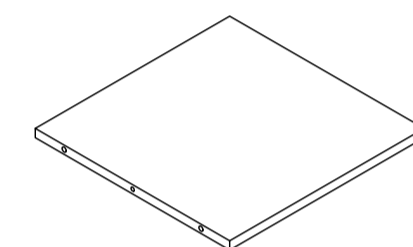
7

385\*364(mm)  
15.16\*14.33(inch)  
1PC



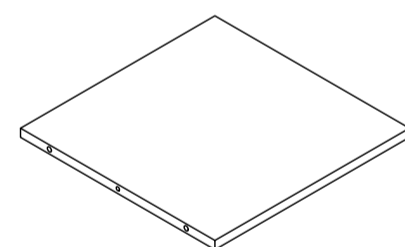
8

364\*364(mm)  
14.33\*14.33(inch)  
1PC



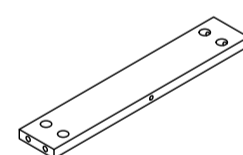
9

364\*364(mm)  
14.33\*14.33(inch)  
1PC



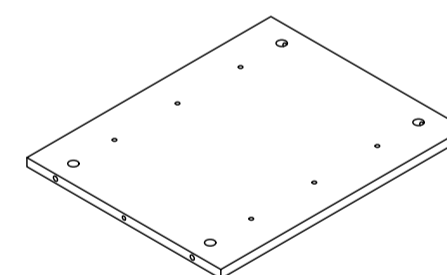
10

364\*65(mm)  
14.33\*2.56(inch)  
2PCS



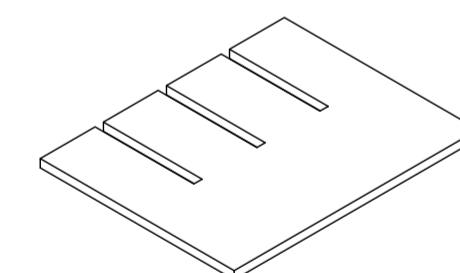
11

457\*363(mm)  
17.99\*14.29(inch)  
1PC



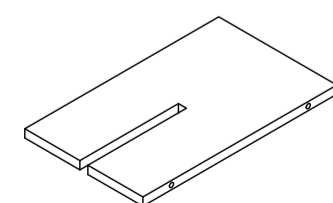
12

457\*363(mm)  
17.99\*14.29(inch)  
1PC



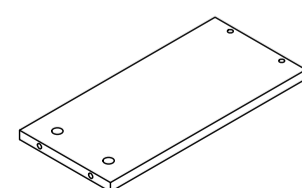
13

363\*221(mm)  
14.29\*8.7(inch)  
3PCS



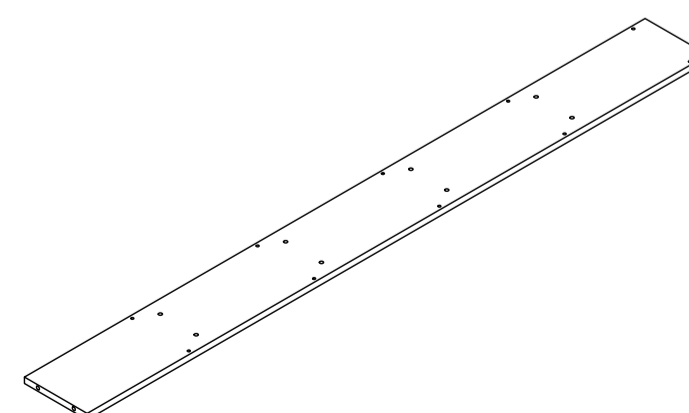
14

366\*170(mm)  
14.41\*6.69(inch)  
1PC



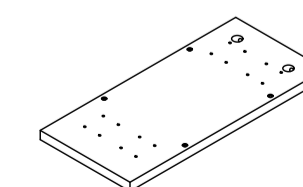
15

1660\*168(mm)  
65.35\*6.61(inch)  
1PC



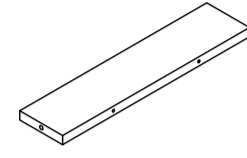
16

366\*168(mm)  
14.41\*6.61(inch)  
1PC



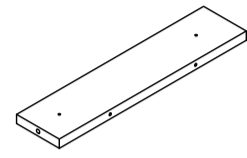
17

350\*80(mm)  
13.78\*3.15(inch)  
6PCS



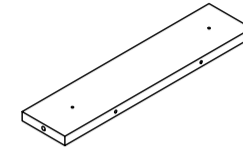
18

350\*80(mm)  
13.78\*3.15(inch)  
2PCS



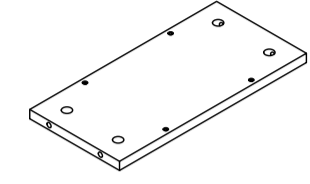
19

350\*80(mm)  
13.78\*3.15(inch)  
2PCS



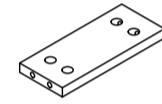
20

350\*168(mm)  
13.78\*6.61(inch)  
4PCS



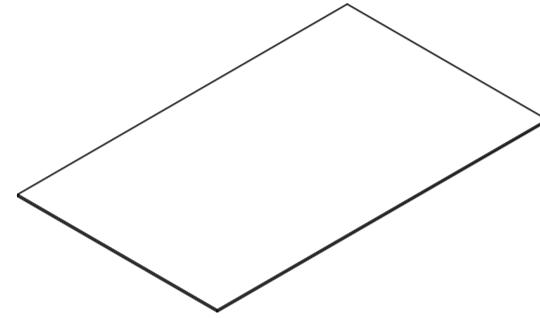
21

191\*80(mm)  
7.52\*3.15(inch)  
3PCS



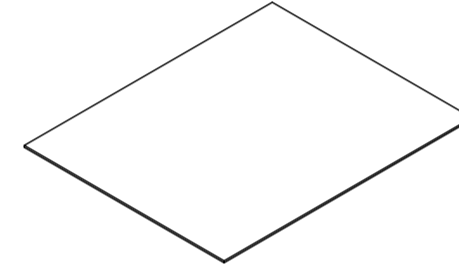
22

617\*374(mm)  
24.29\*14.72(inch)  
2PCS



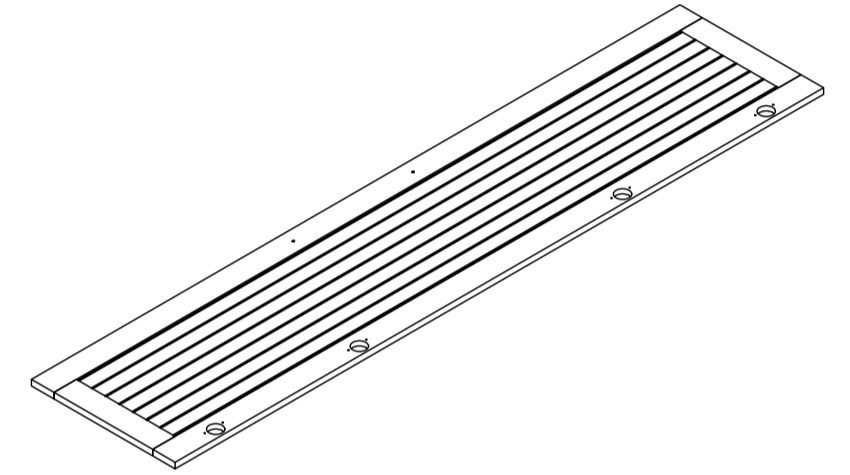
23

464\*374(mm)  
18.27\*14.72(inch)  
1PC



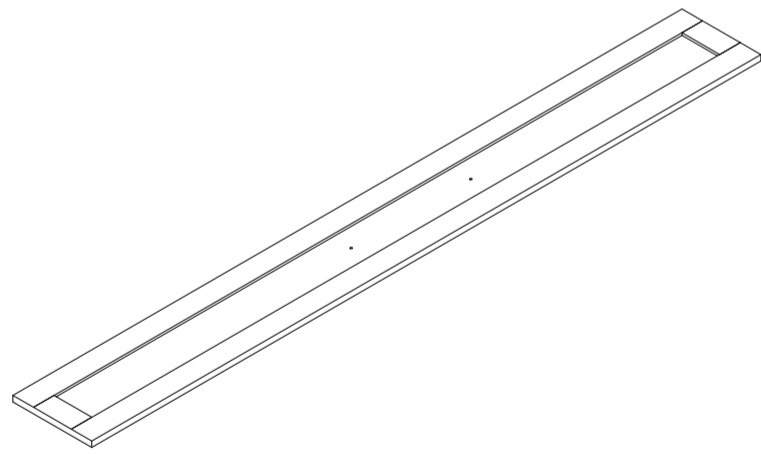
24

1734\*384(mm)  
68.27\*15.12(inch)  
1PC

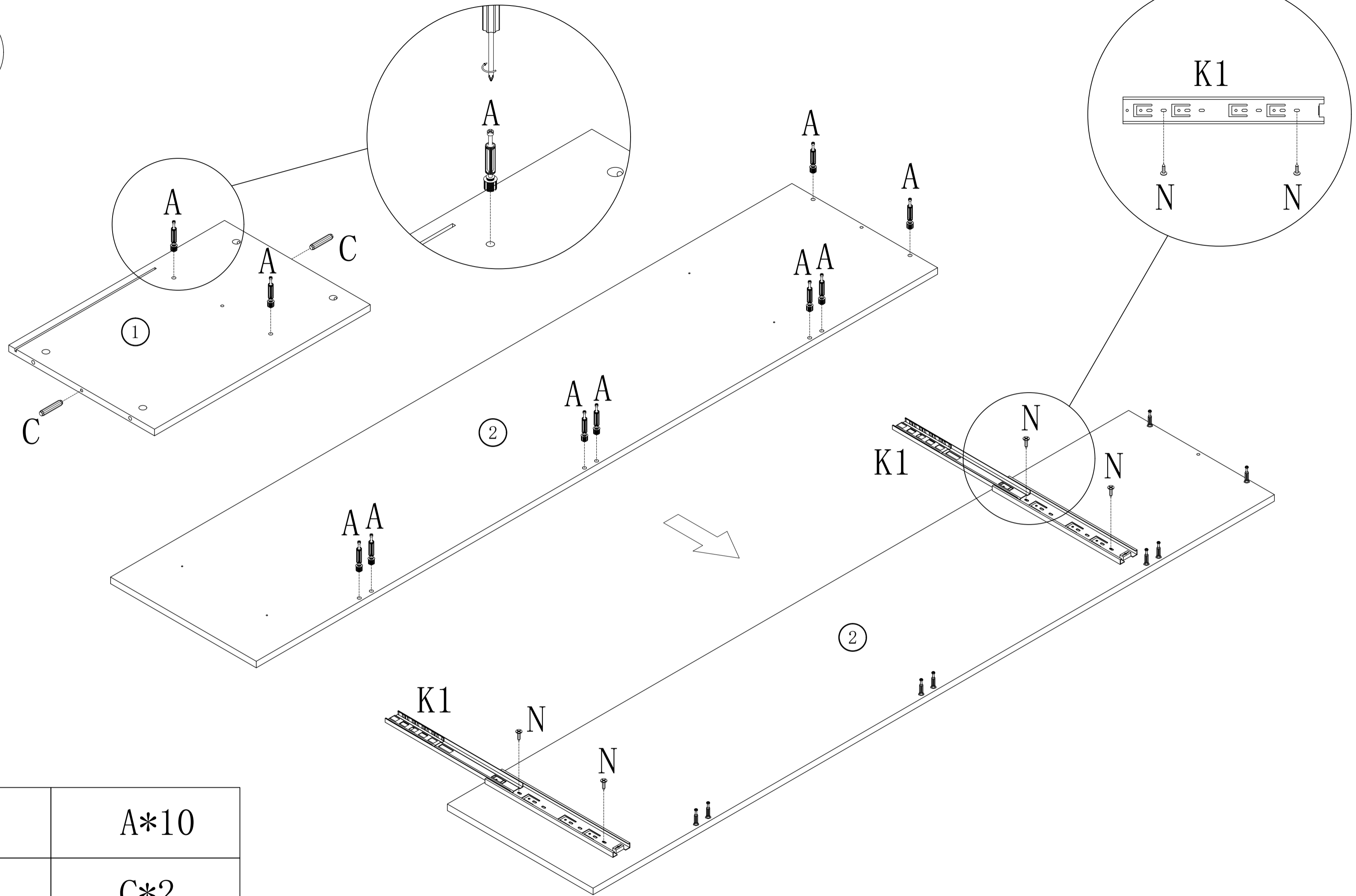


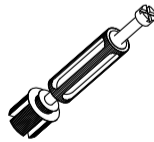
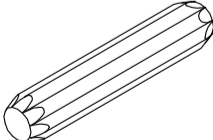

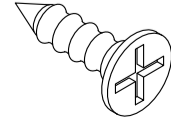
25

1789\*211(mm)  
70.43\*8.31(inch)  
1PC



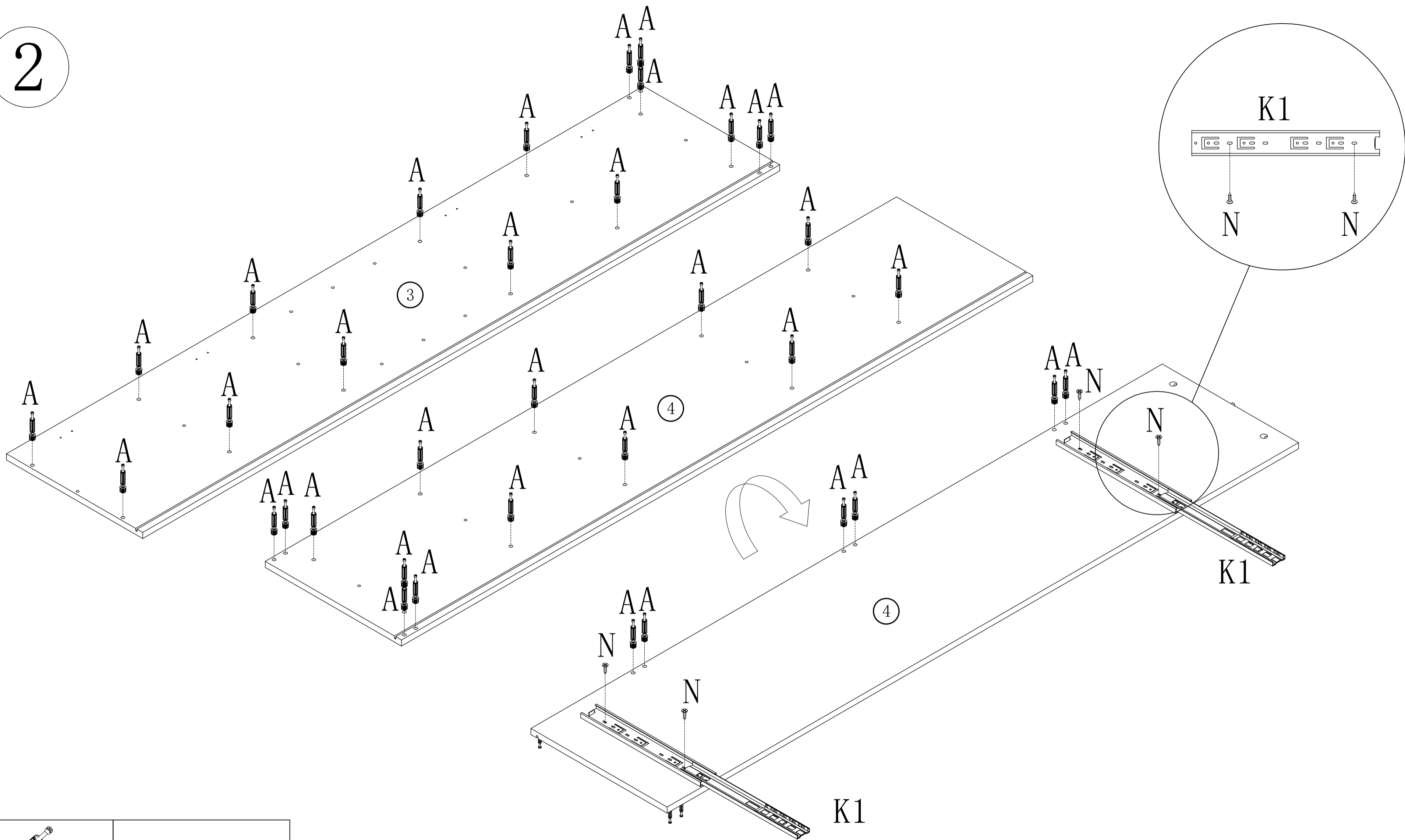
1

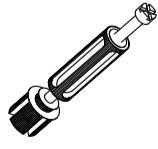

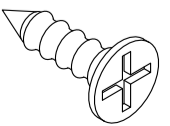


	A*10
	C*2
	K1*2
	N*4

put A on board    ①    ②  
 put C on board    ①

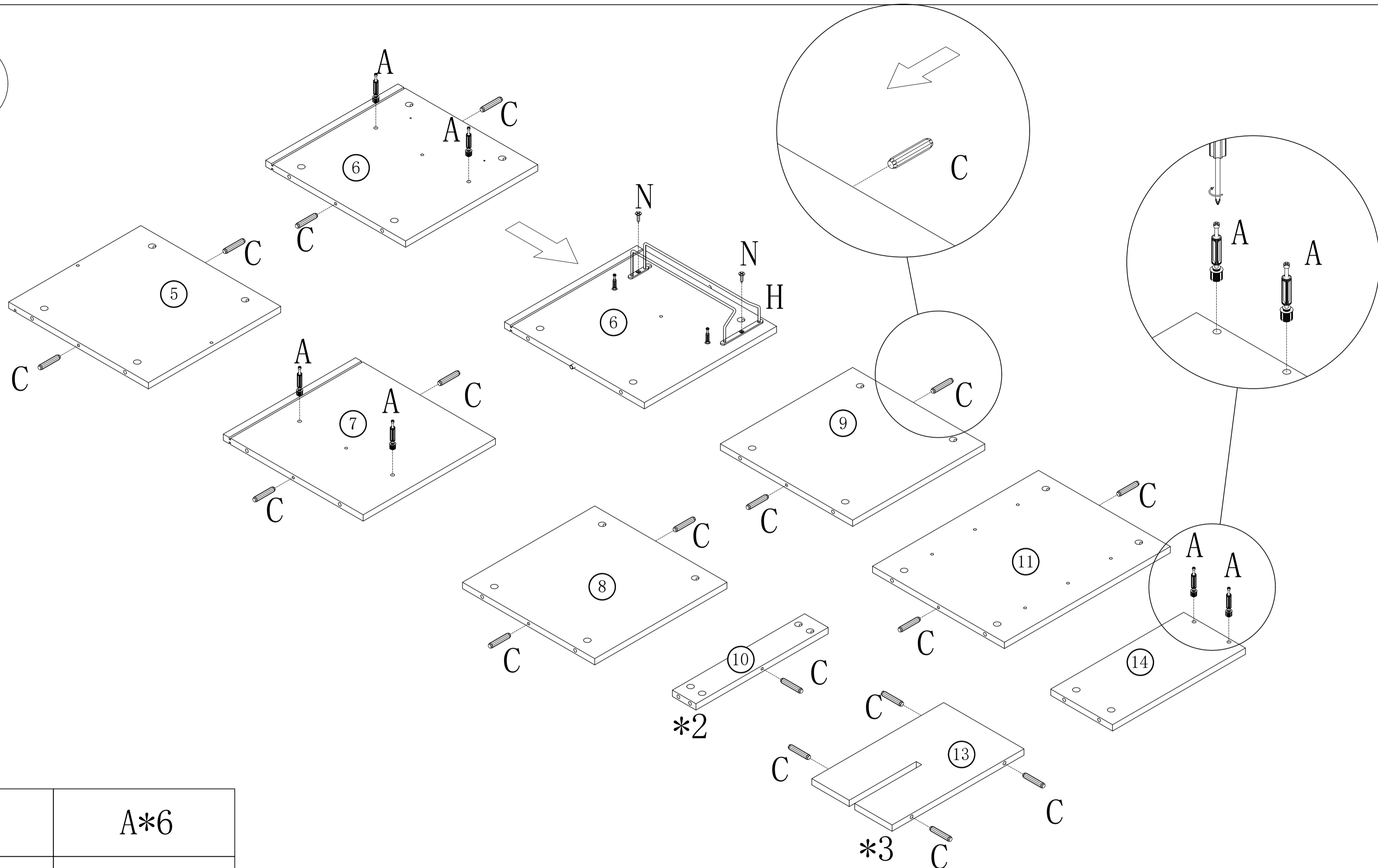
2

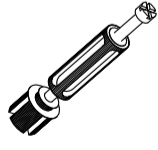
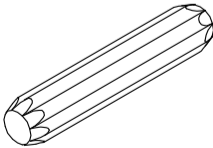
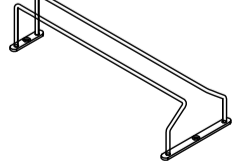
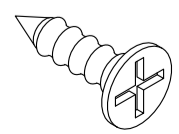


	A*36
	K1*2
	N*4

put A on board (3) (4)

3



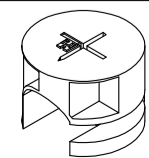
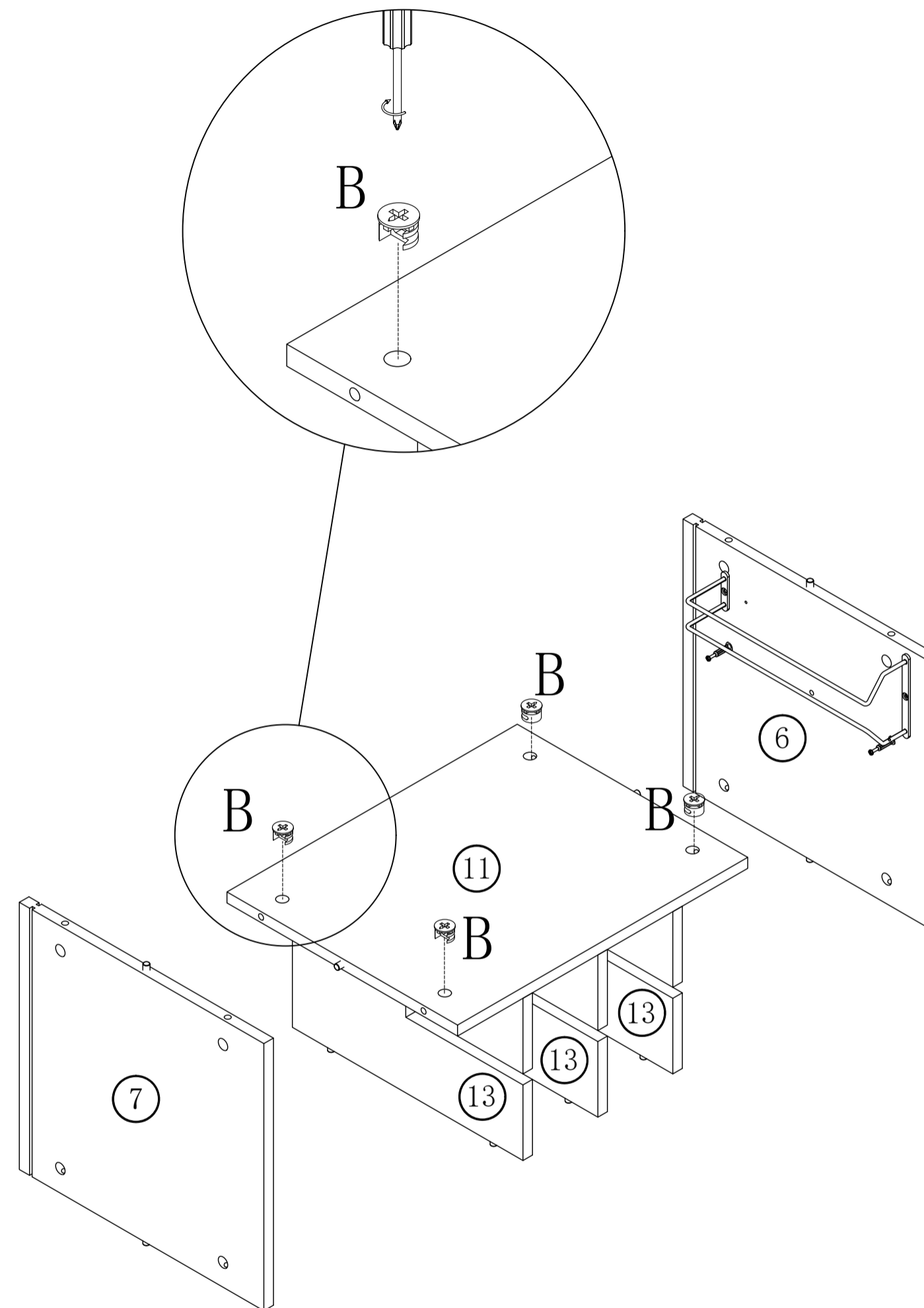
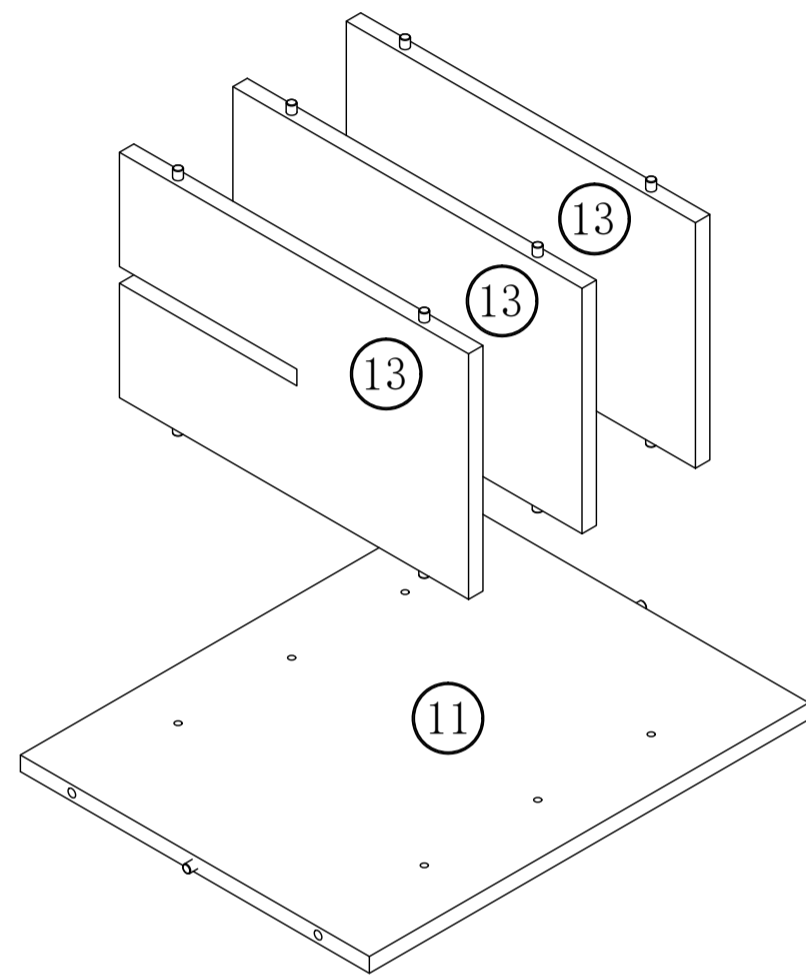
	A*6
	C*26
	H*1
	N*2

put A on board  
 put C on board

- (6) (7) (14)  
 (5) (6) (7) (8) (9) (10) (11) (13)



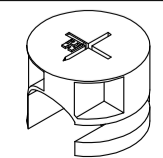
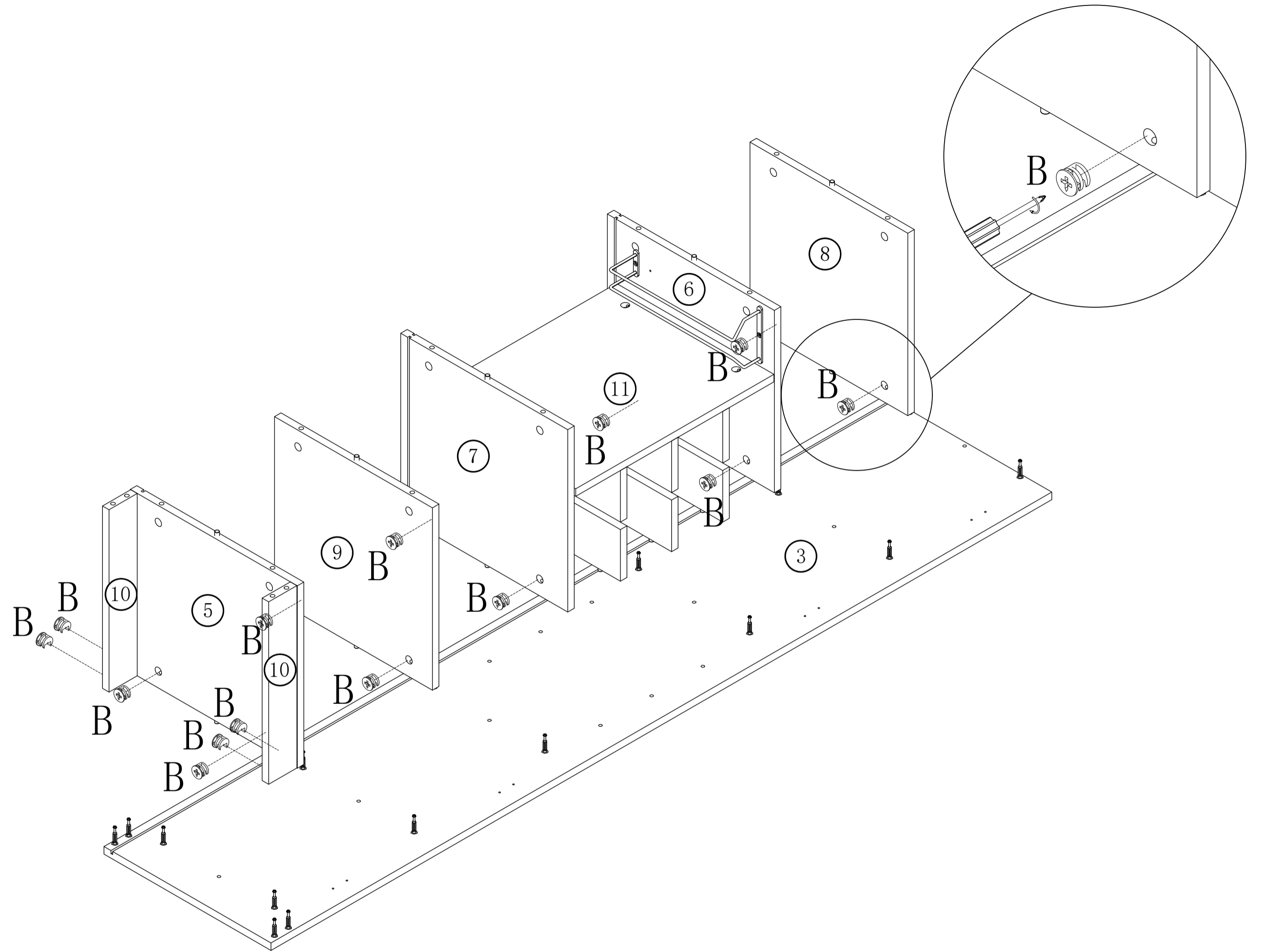
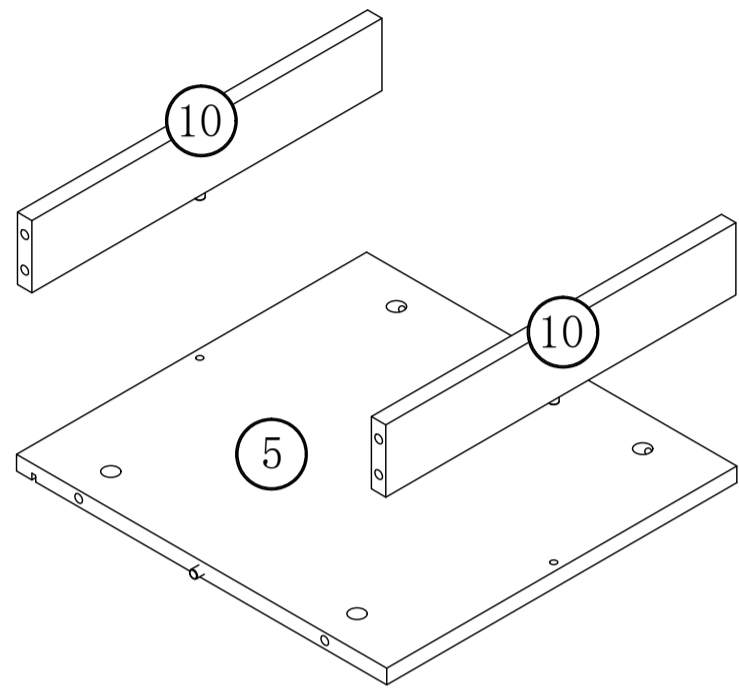
5



B\*4

put B on board 11

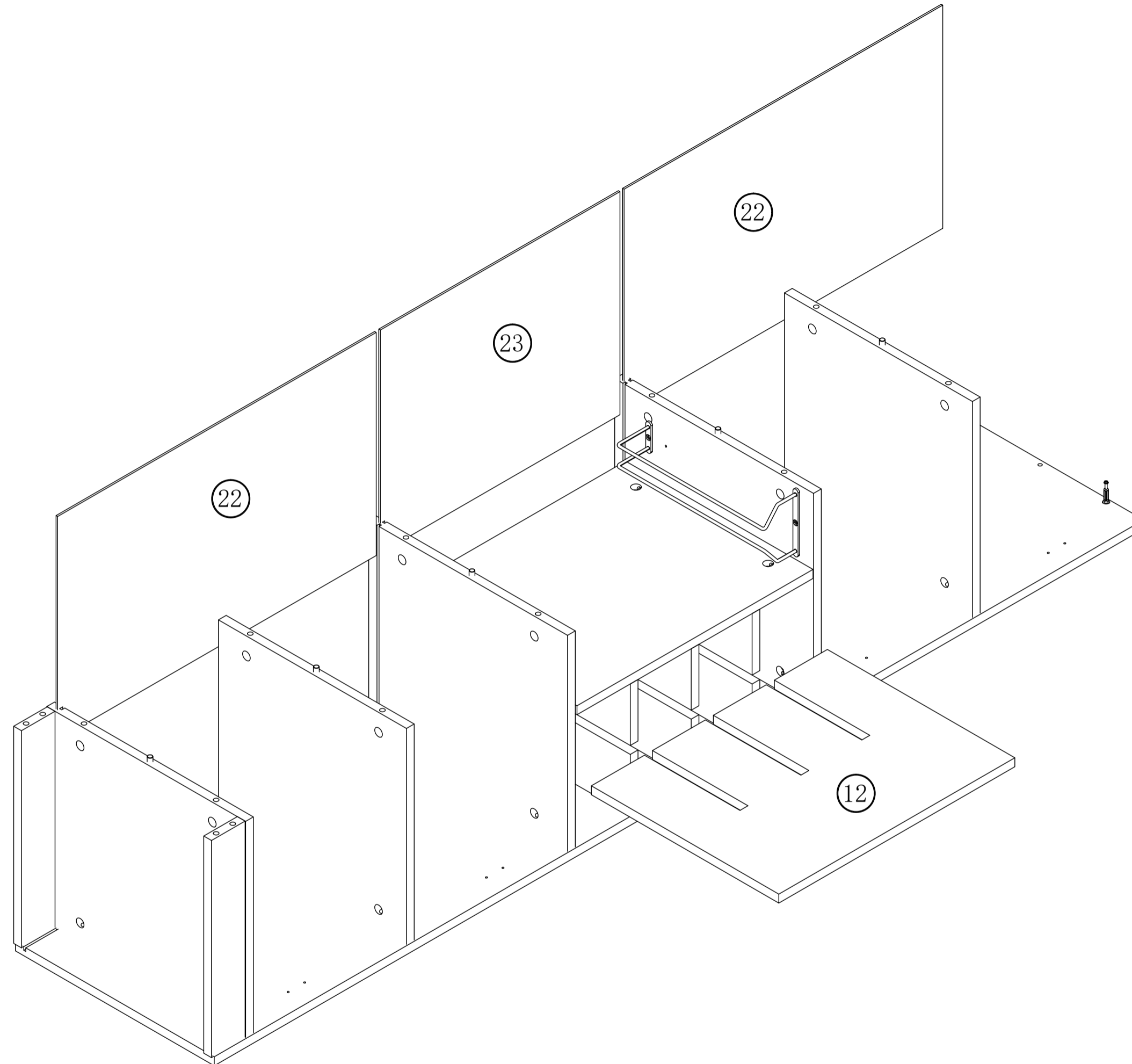
6



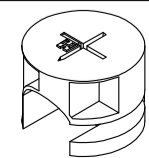
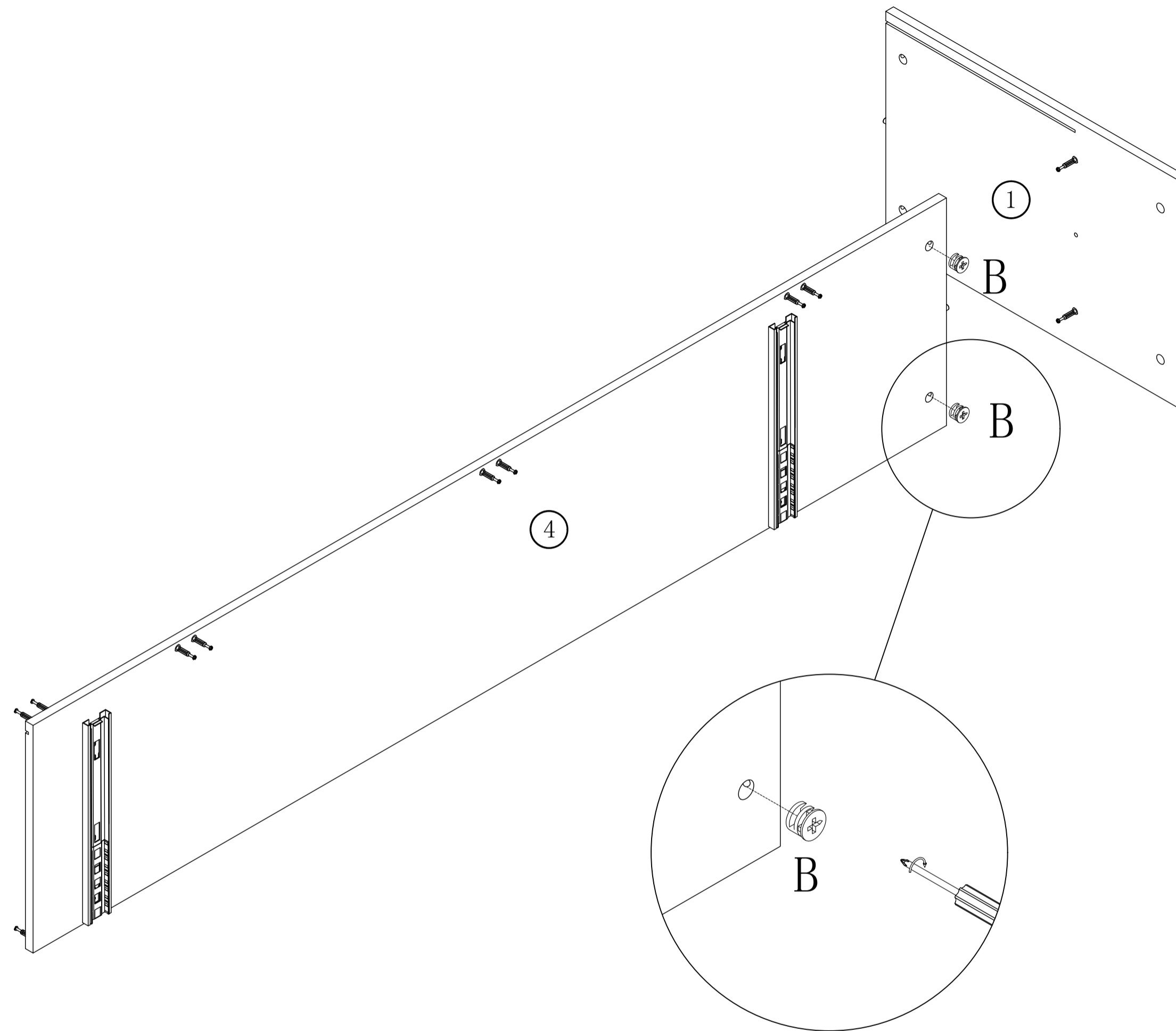
B\*14

put B on board 5 6 7 8 9 10

7



8



B\*2

put B on board

5

6

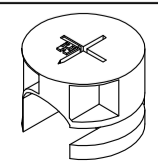
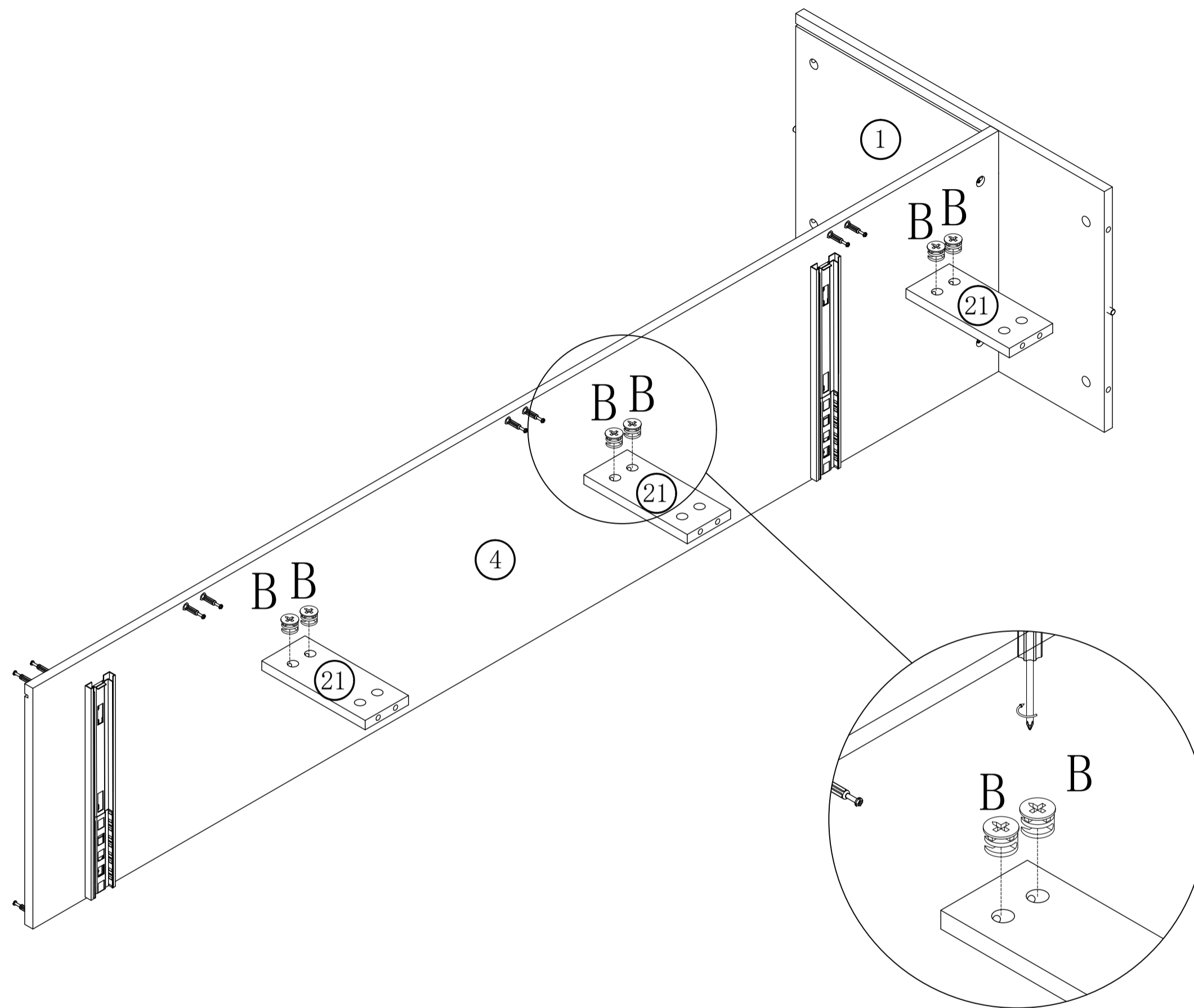
7

8

9

10

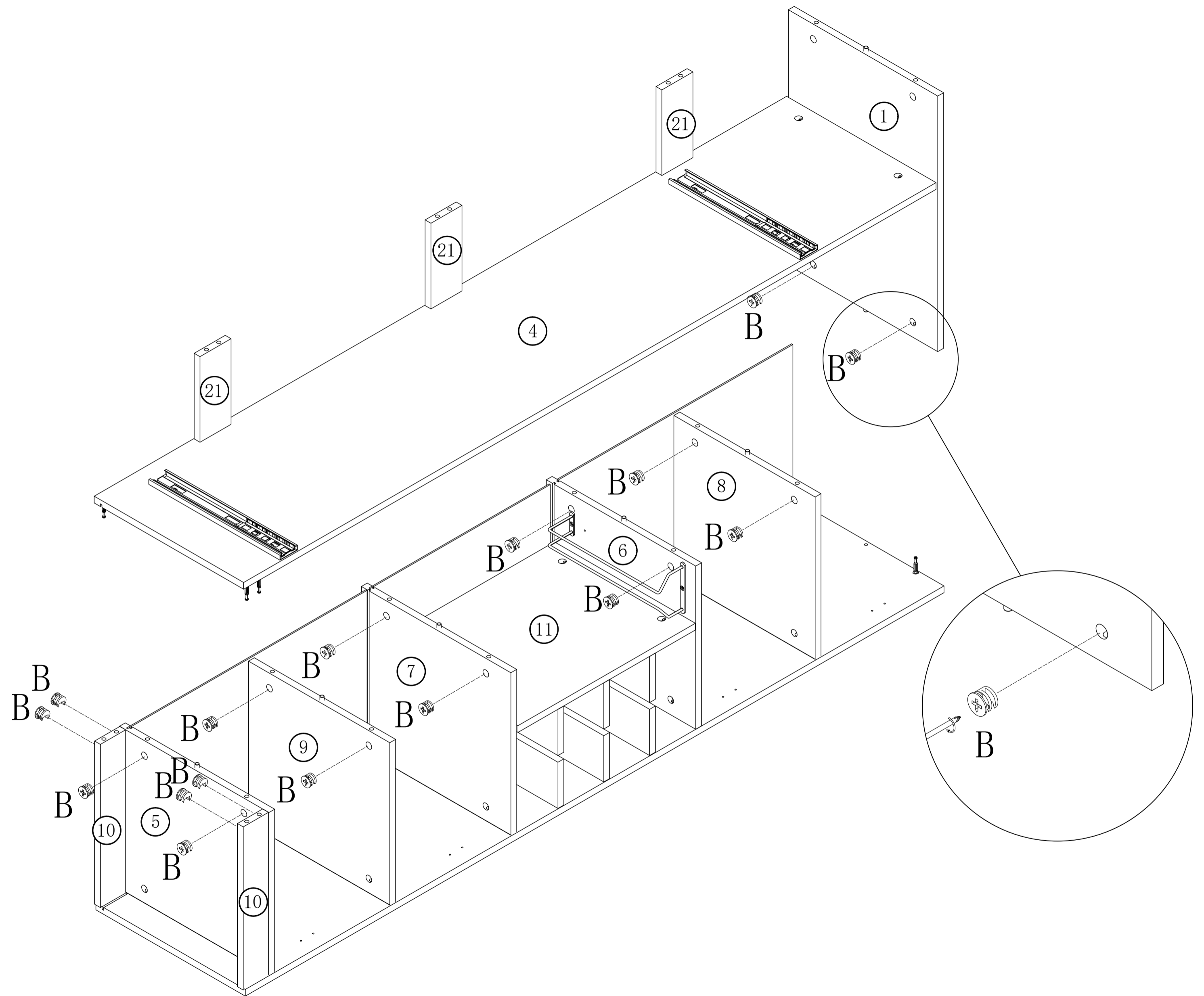
9



B\*6

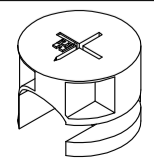
put B on board (21)

10

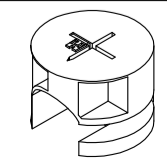
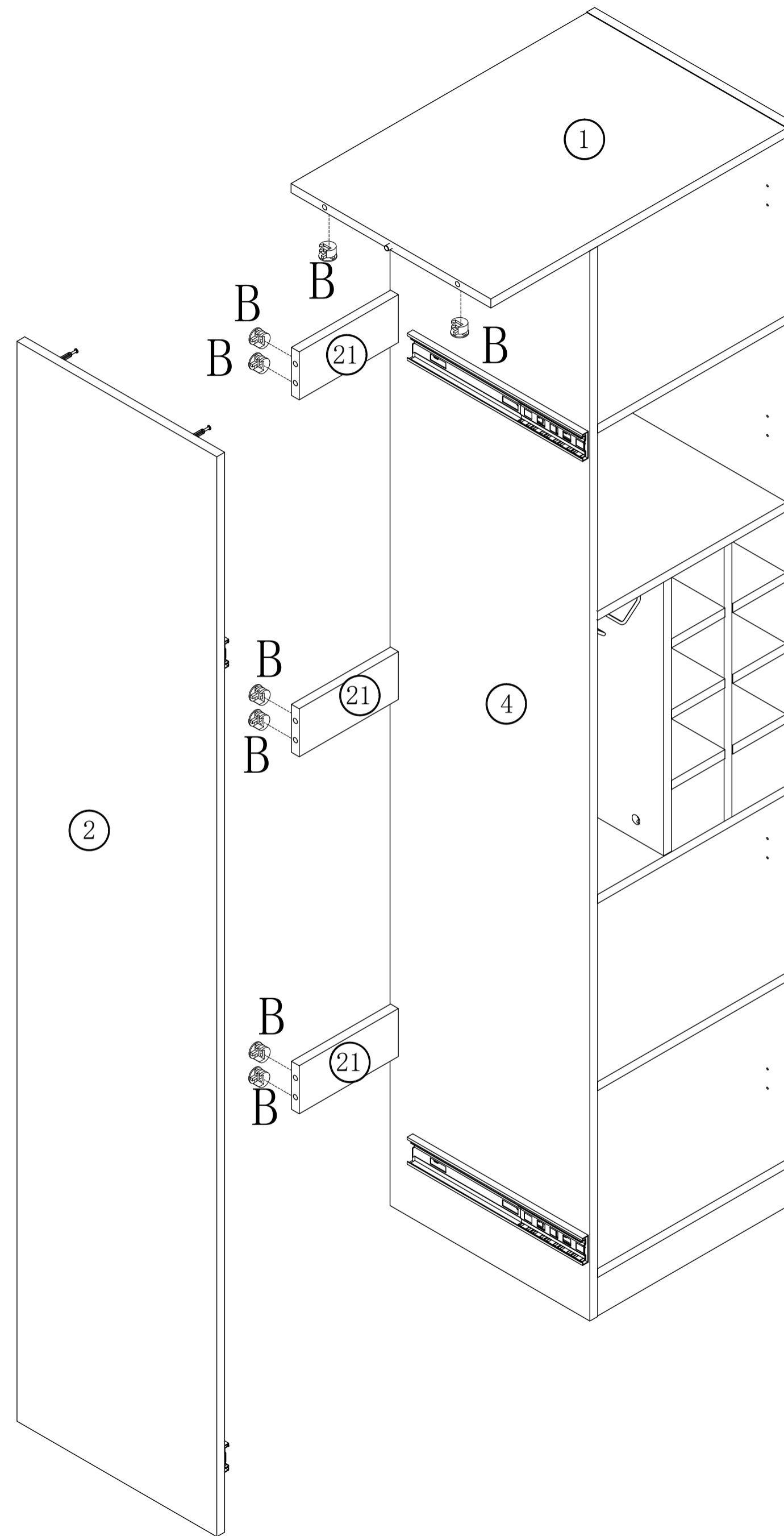


B\*16

put B on board ① ⑤ ⑥ ⑦ ⑧ ⑨ ⑩



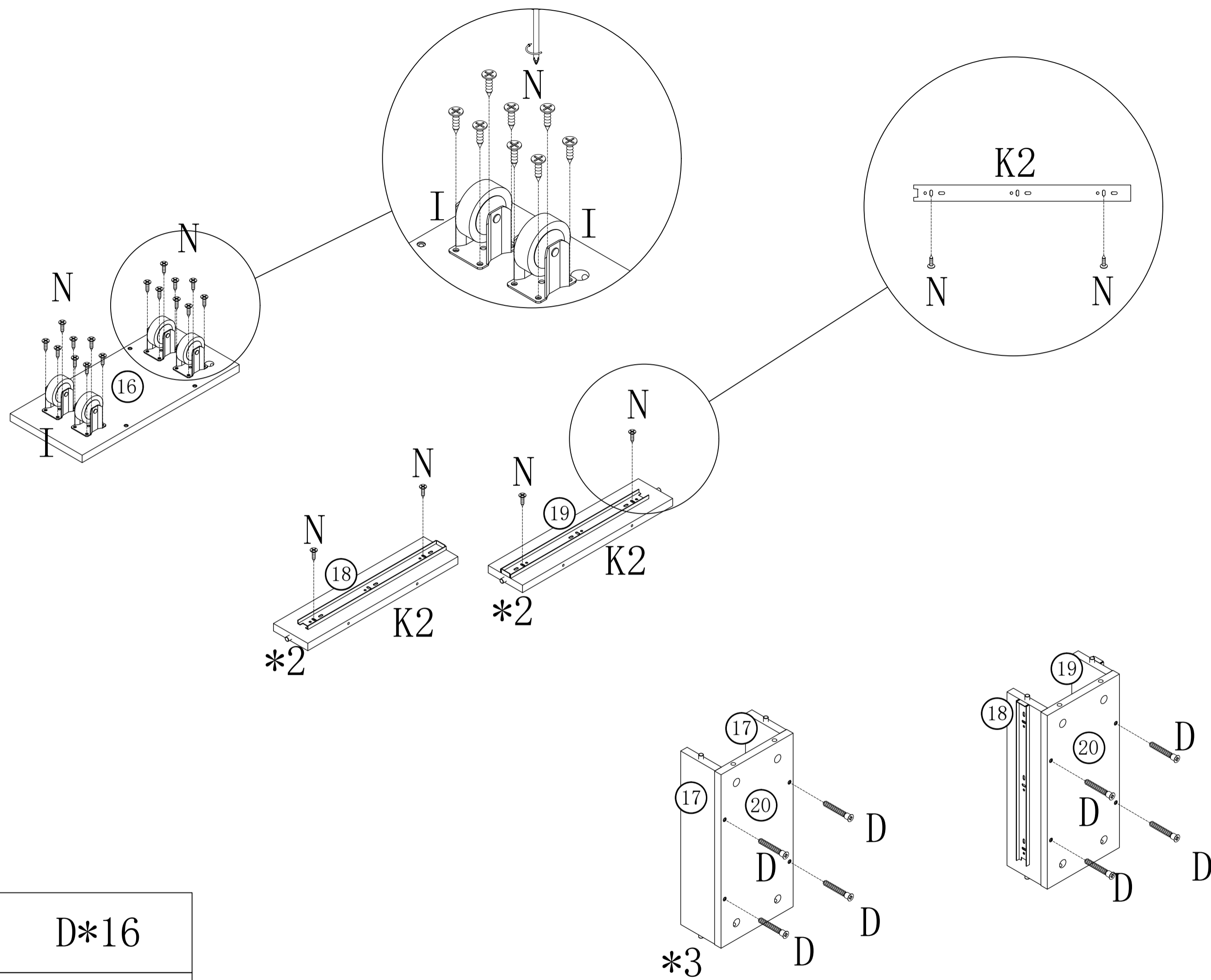
11

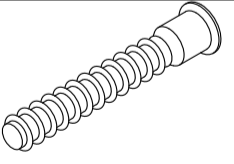
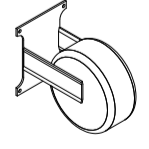
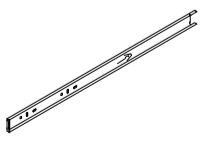
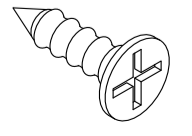


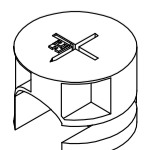
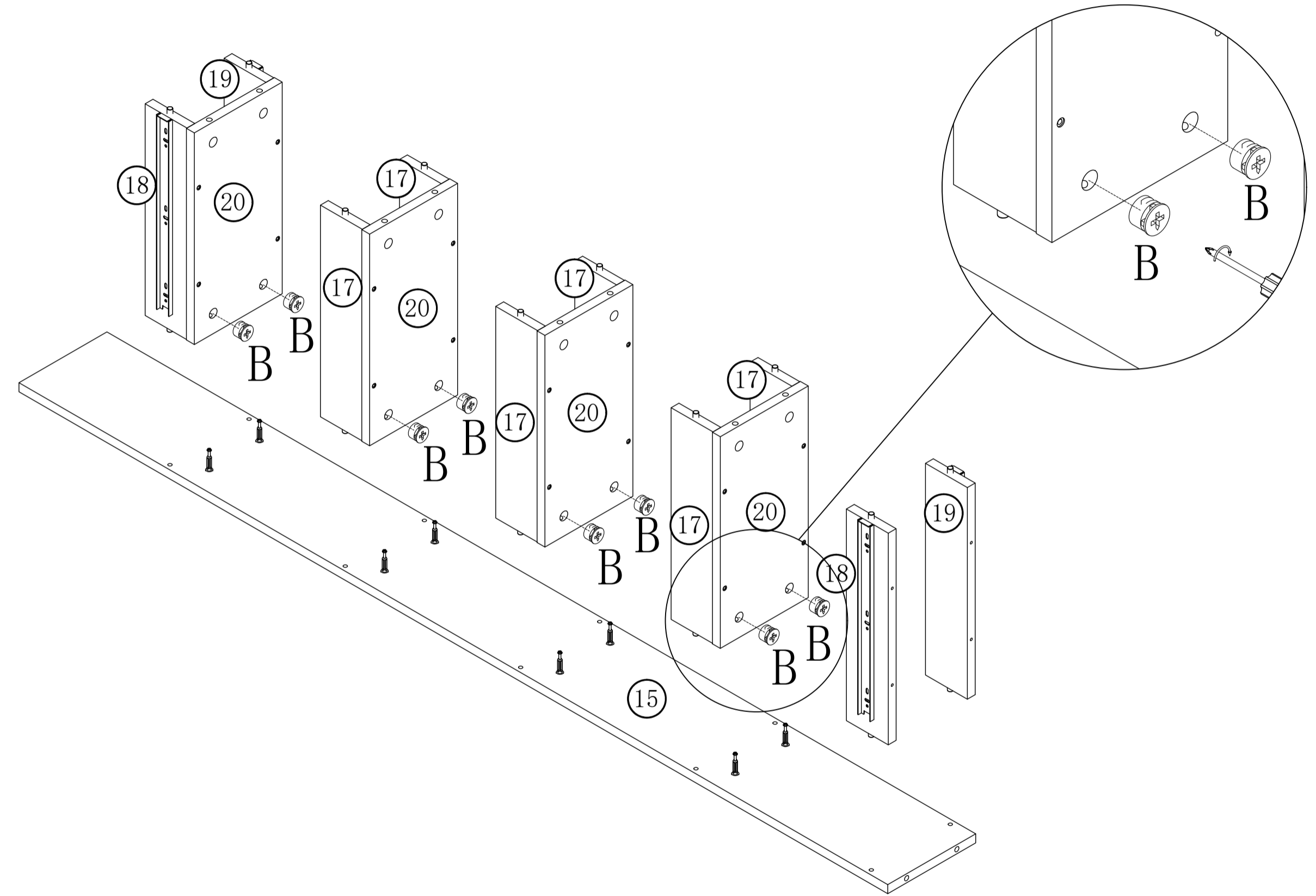
B\*8

put B on board (21)

12



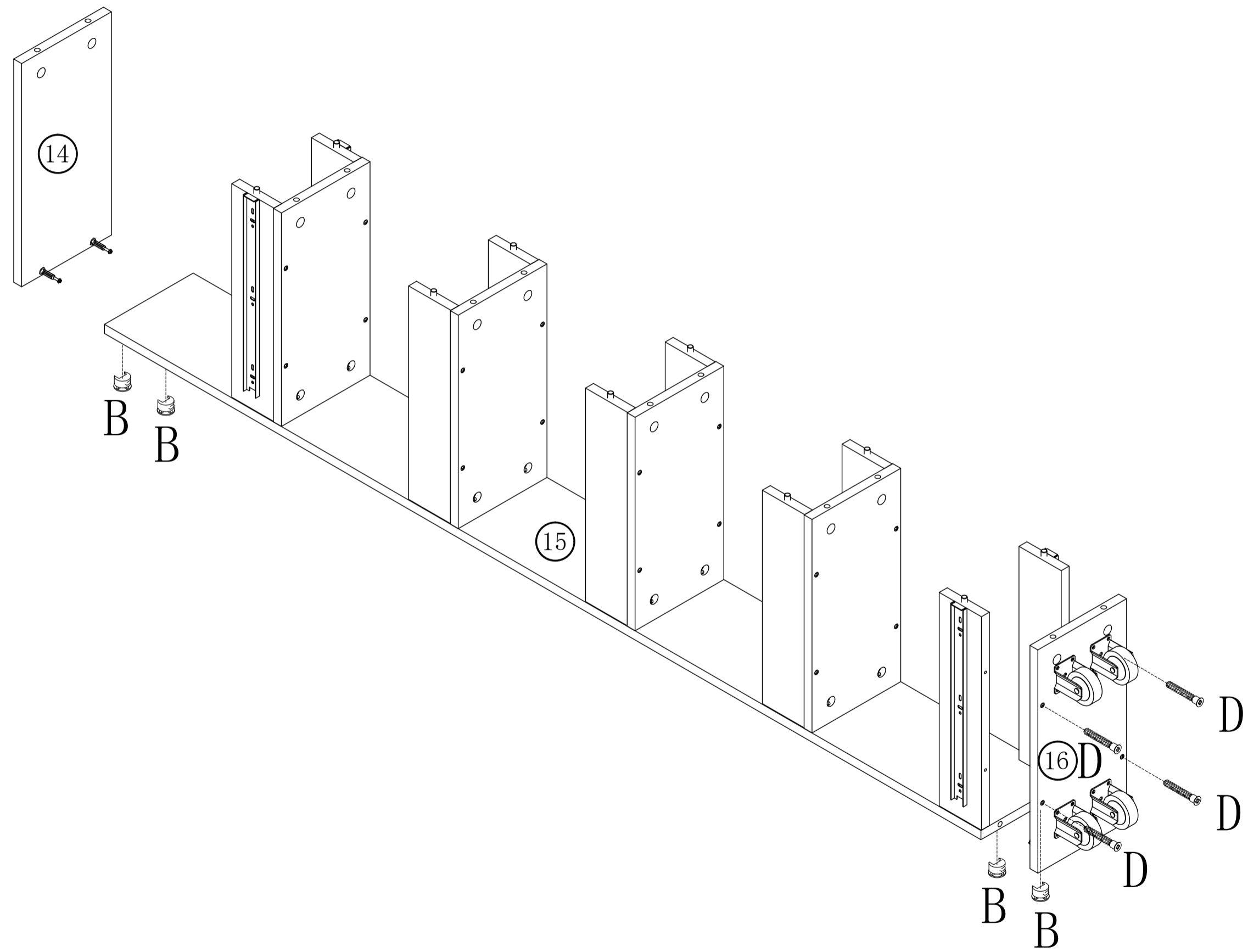
	D*16
	I*4
	K2*4
	N*24

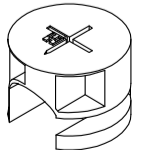
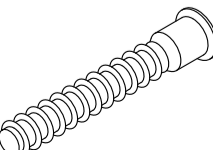


B\*8

put B on board 20

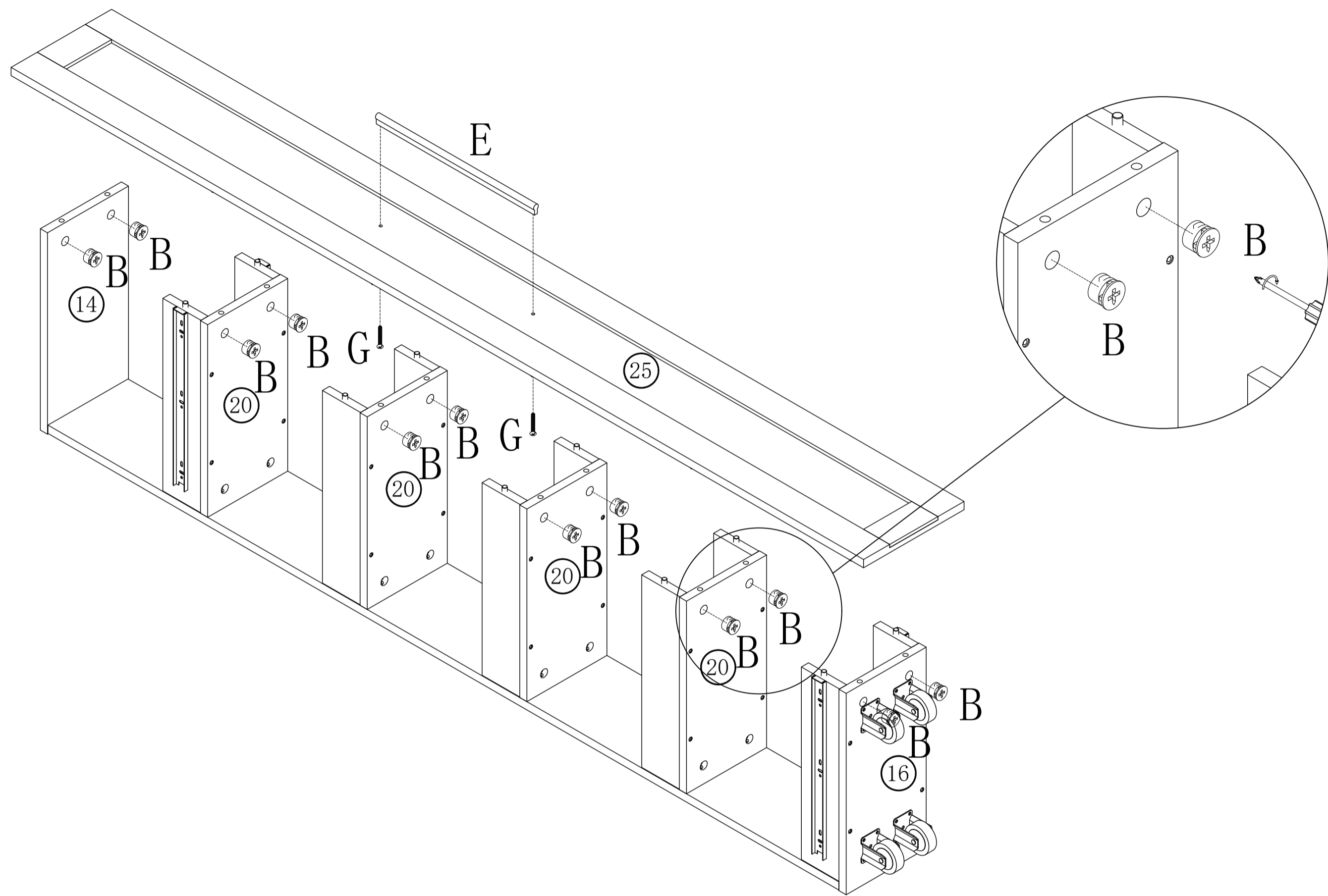
14

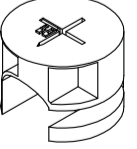
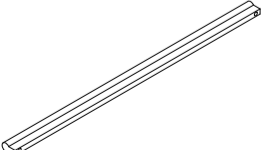
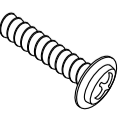


	B*4
	D*4

put B on board 15

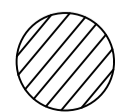
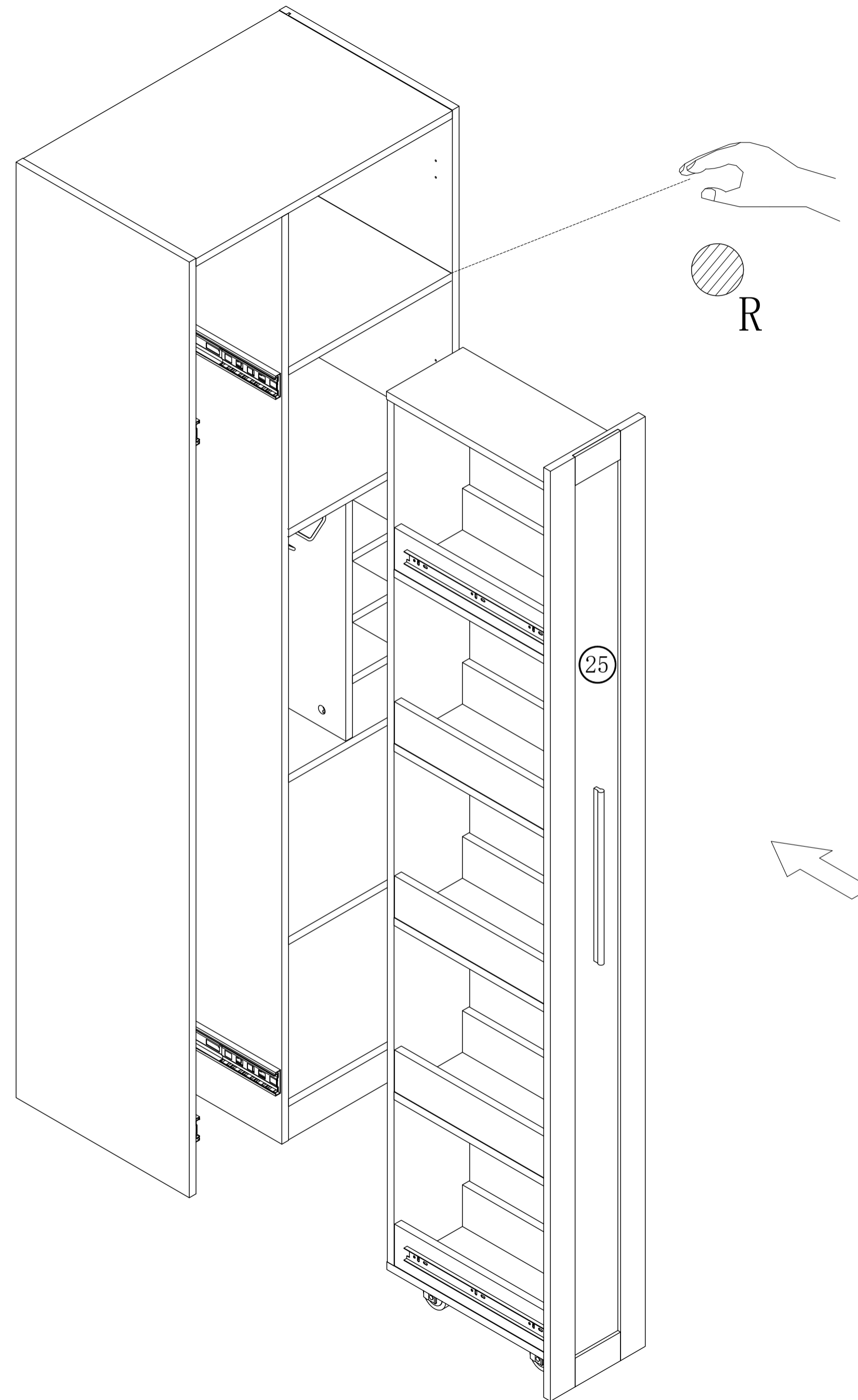
15



	B*12
	E*1
	G*2

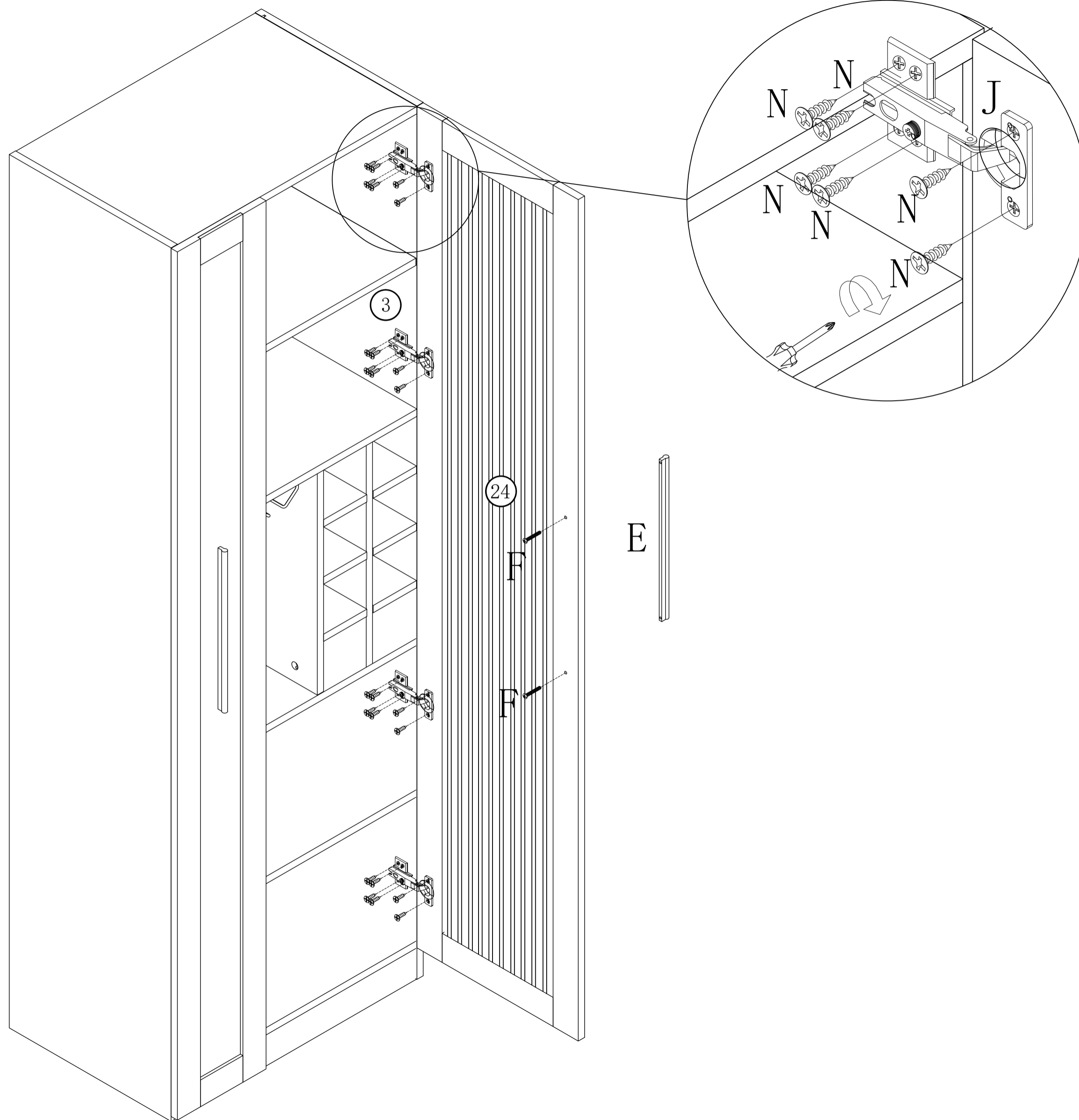
put B on board (14) (16) (20)

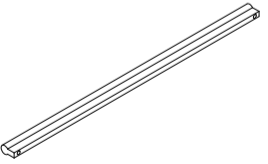

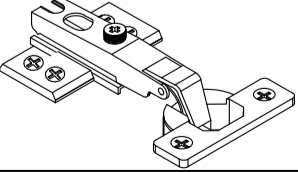
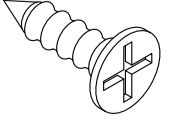
16



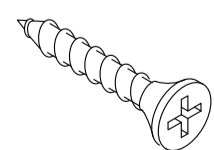
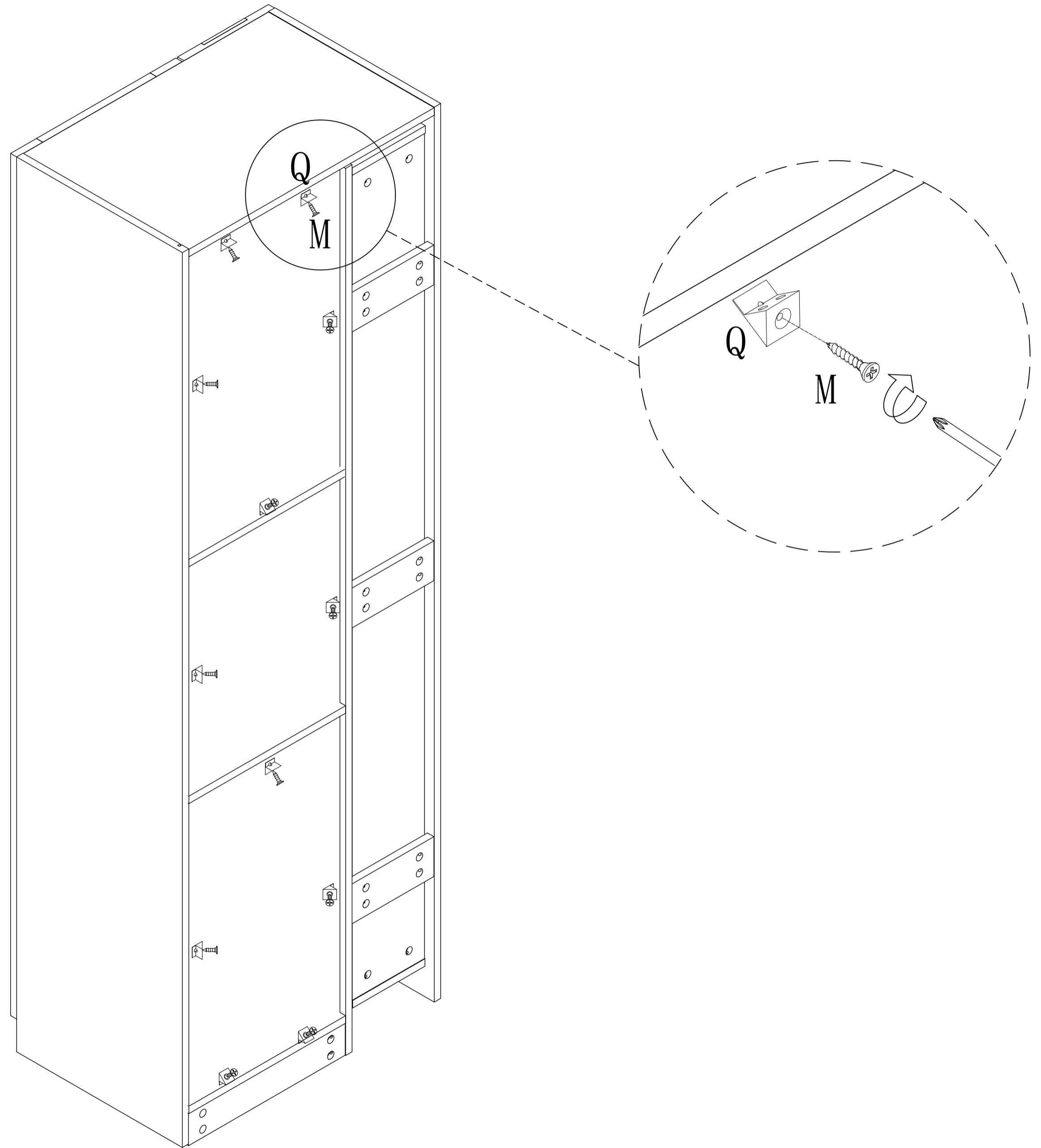
R\*62

17

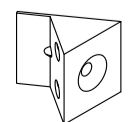


	E*1
	F*2
	J*4
	N*24

18

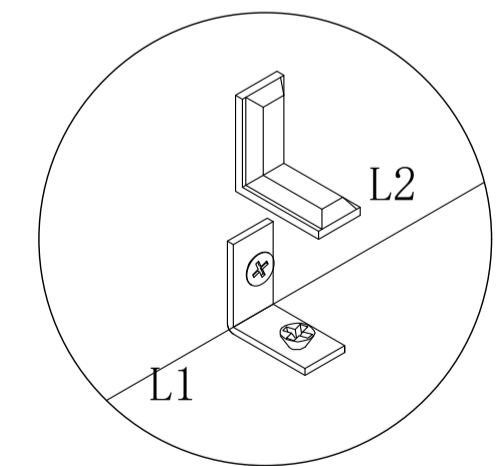
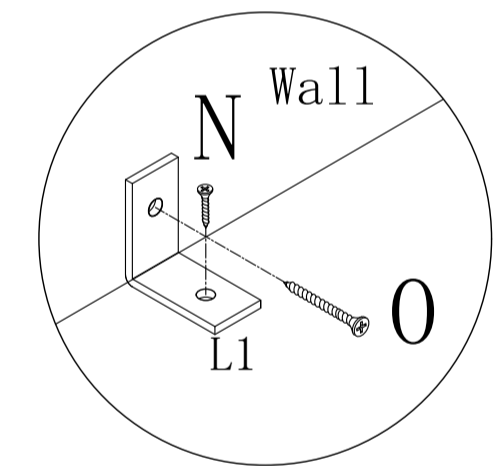
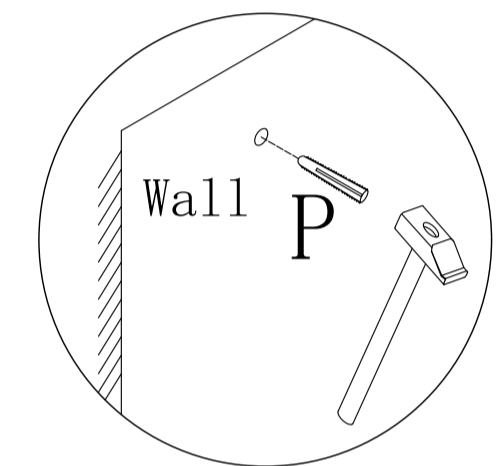
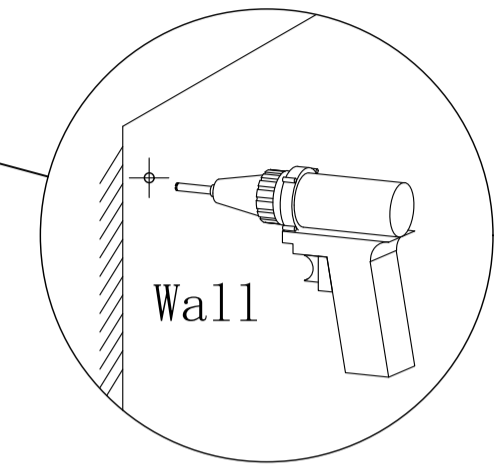
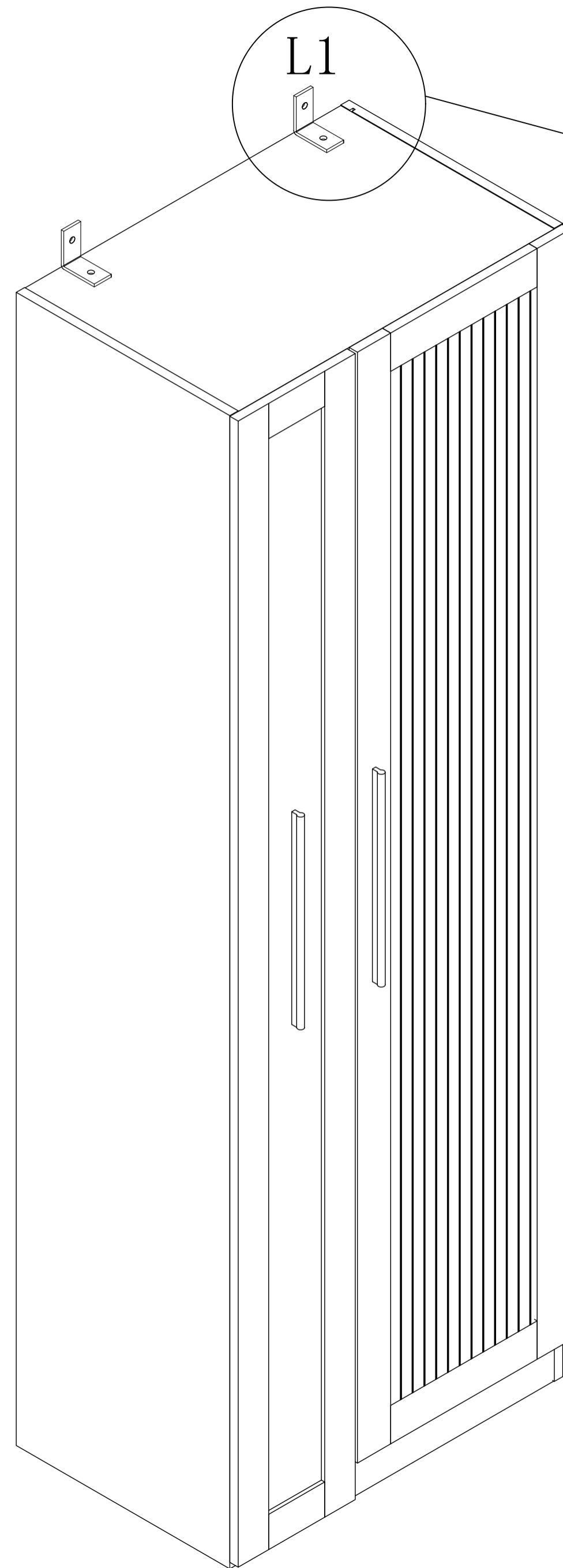


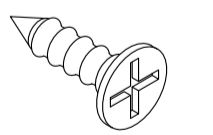
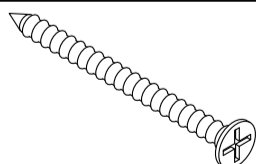
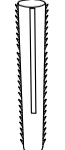
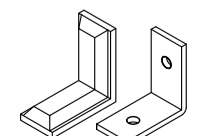
M\*12



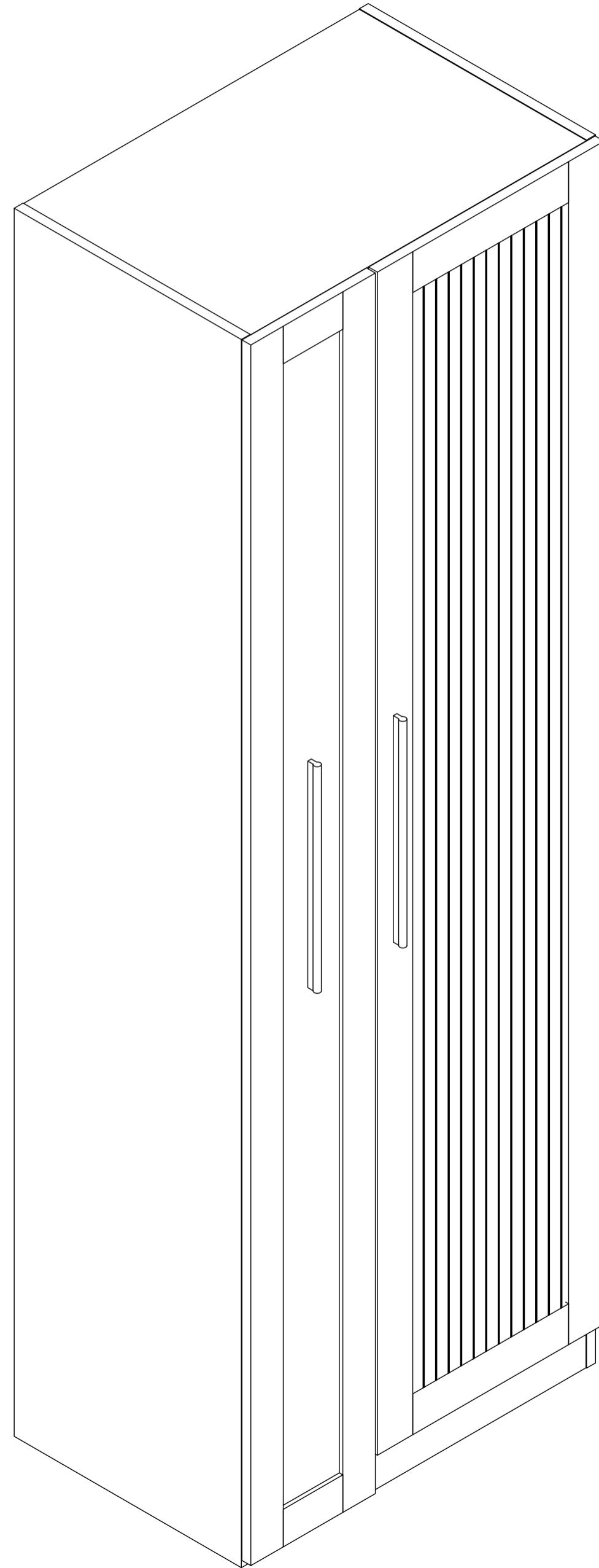
Q\*12

19



	N*2
	O*2
	P*2
	L*2

20



END