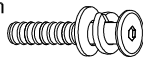
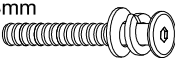



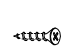

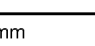



ASSEMBLY INSTRUCTIONS

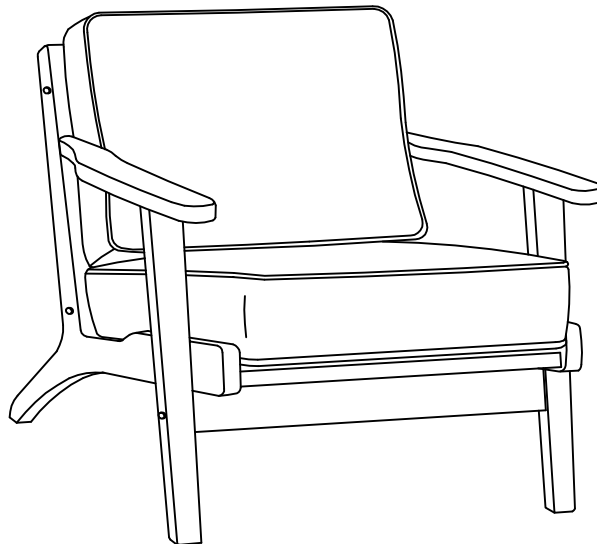
IMPORTANT NOTE :

* PLACE ALL WOODEN PARTS ON A CLEAN AND SMOOTH SURFACE SUCH AS A RUG OR CARPET TO AVOID THE PARTS FROM BEING SCRATCHED.

* BEFORE YOU BEGIN, KINDLY FOLLOW THE ASSEMBLY INSTRUCTIONS STEP BY STEP.

HARDWARE LIST		
A	JCBC M6 x 40mm + S/W M6 + F/W M6 x 13mm 	4PCS
B	JCBC M6 x 70mm + S/W M6 + F/W M6 x 13mm 	2PCS
C	BARREL NUT M6 x 13mm 	2PCS
D	ALLEN KEY M4 (Ball Shape) 	1PC
E	L - BRACKET 	2PCS
F	CSK SCREW M3.5 X 16mm 	4PCS
G	FH SCREW #8 X 32mm 	2PCS
H	WOOD DOWEL M10 x 40mm 	4PCS
I	WOOD BUTTON Ø 14.5 	6PCS

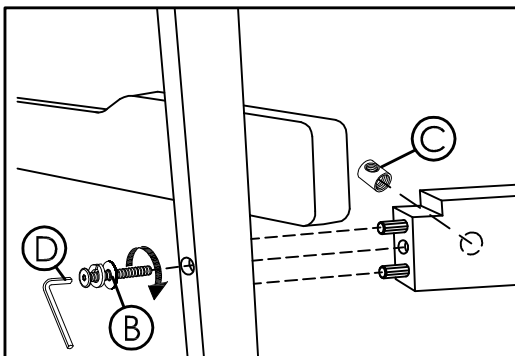
PART LIST		
1	SOFA LEG (L/R)	2PCS
2	FRONT RAIL	1PC
3	BACK FRAME	1PC
4	SEAT FRAME	1PC
5	CUSHION SEAT	1PC
6	BACK CUSHION	1PC



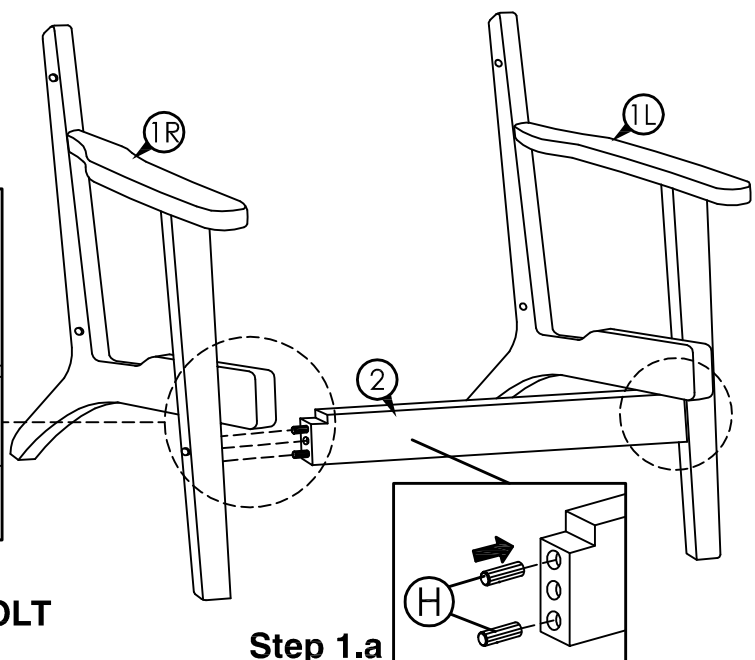
COMPLETED SOFA ASSEMBLY.

STEP 1

Step 1.b



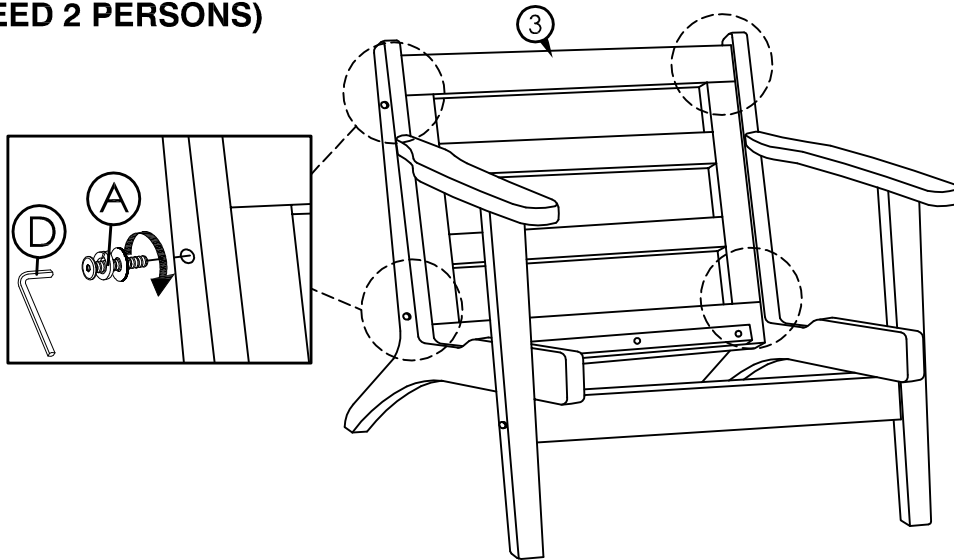
DO NOT FULLY TIGHTEN THE BOLT



Step 1.a

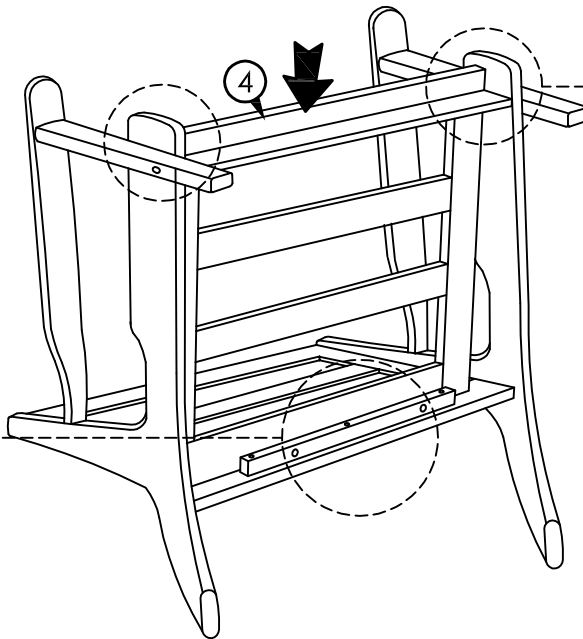
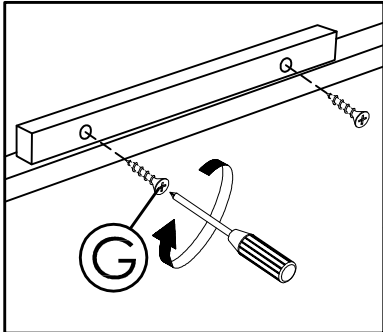
ASSEMBLY INSTRUCTIONS

STEP 2 (NEED 2 PERSONS)

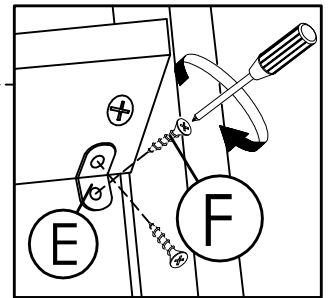


STEP 3 (NEED 2 PERSONS)

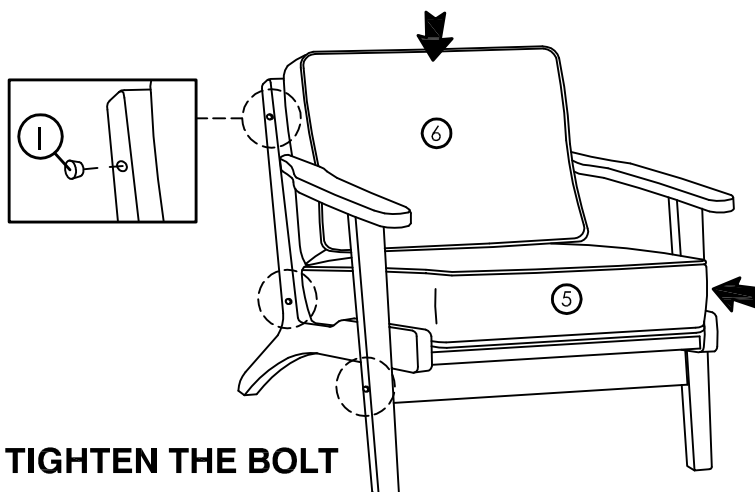
Step 3.a



Step 3.b



STEP 4



FULLY TIGHTEN THE BOLT