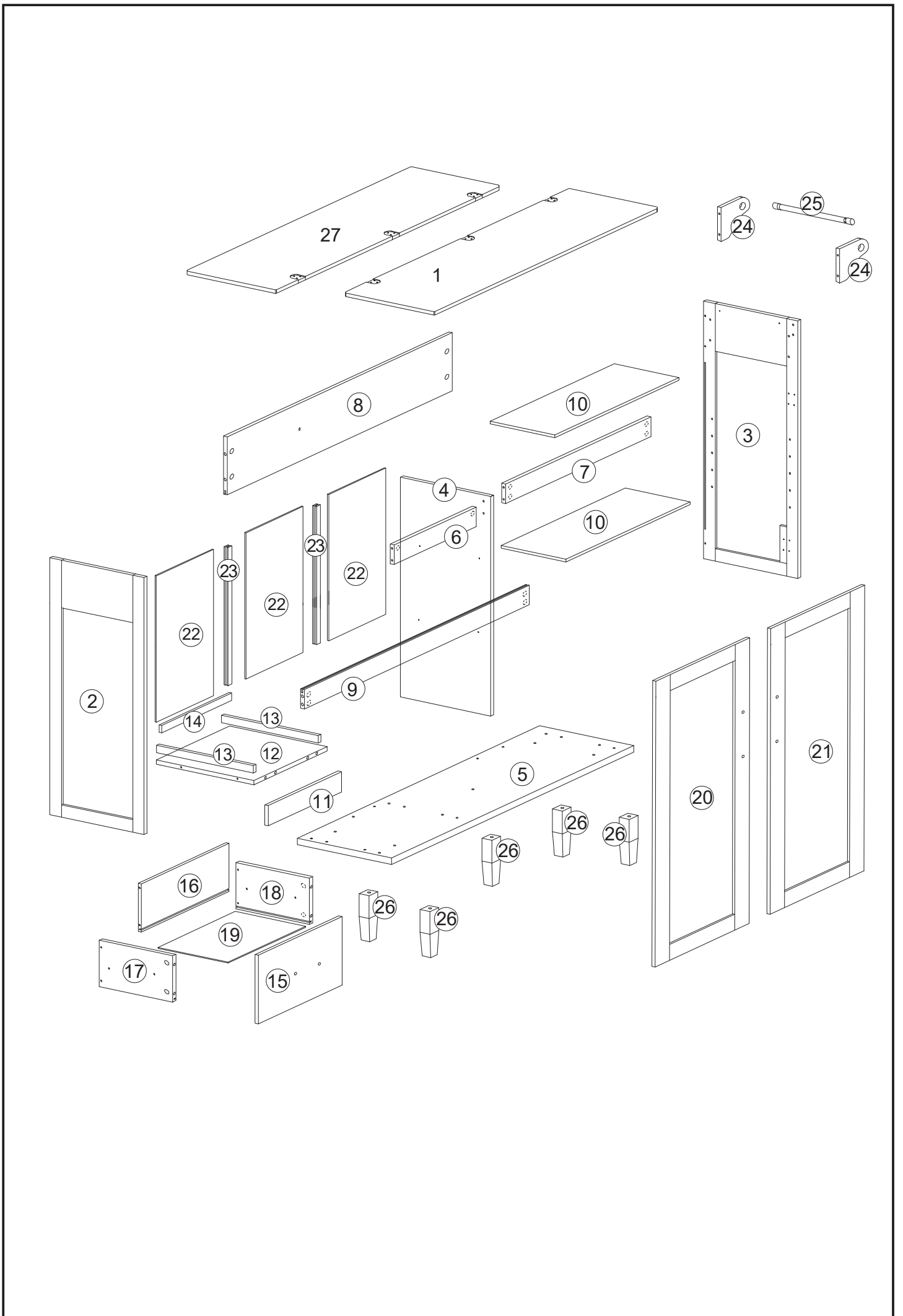
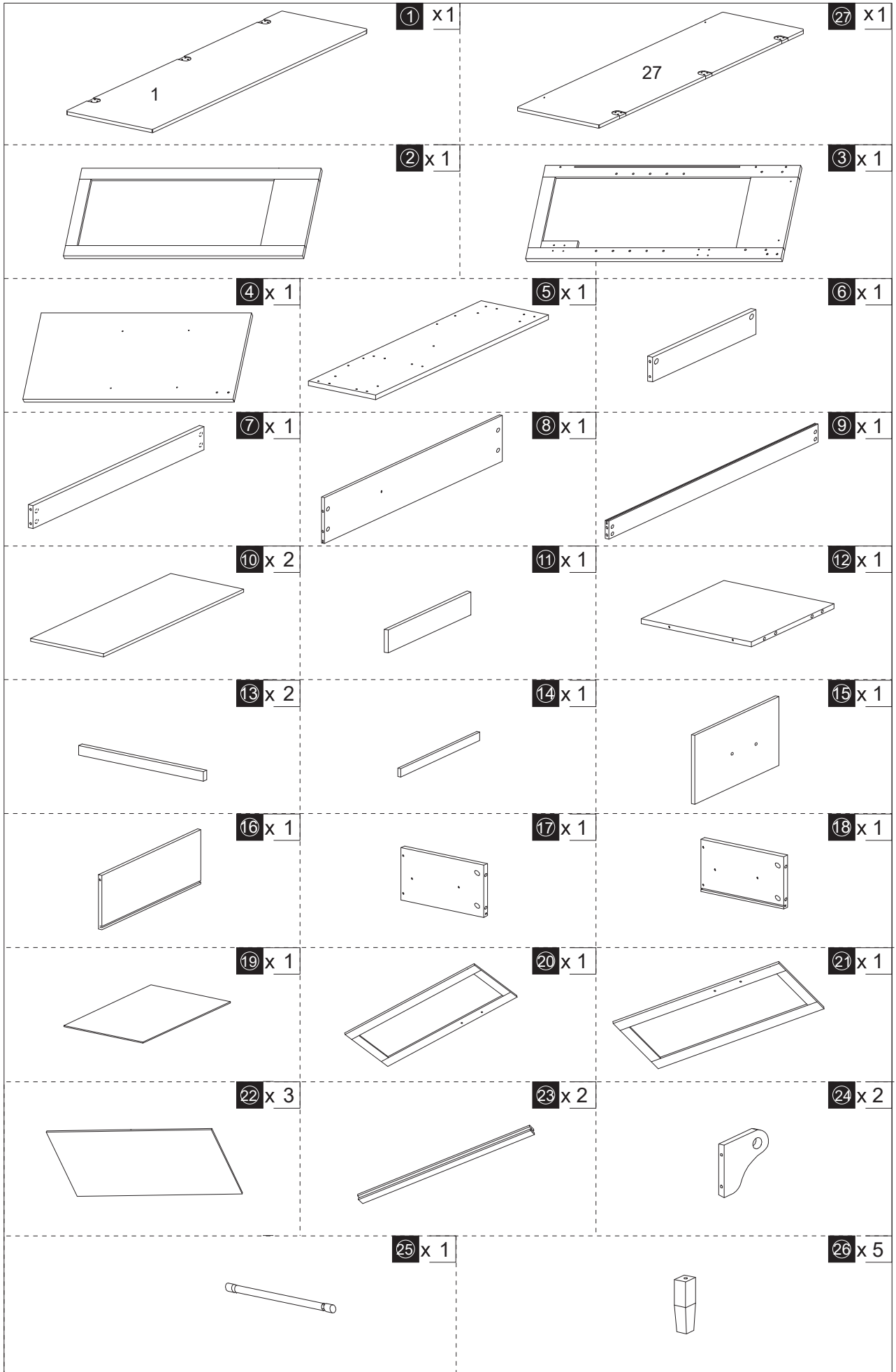


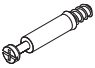



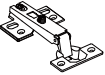
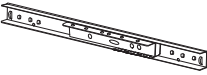


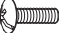
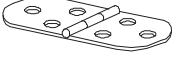



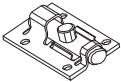



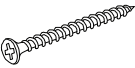
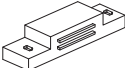




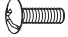
ASSEMBLY INSRTRUCTION

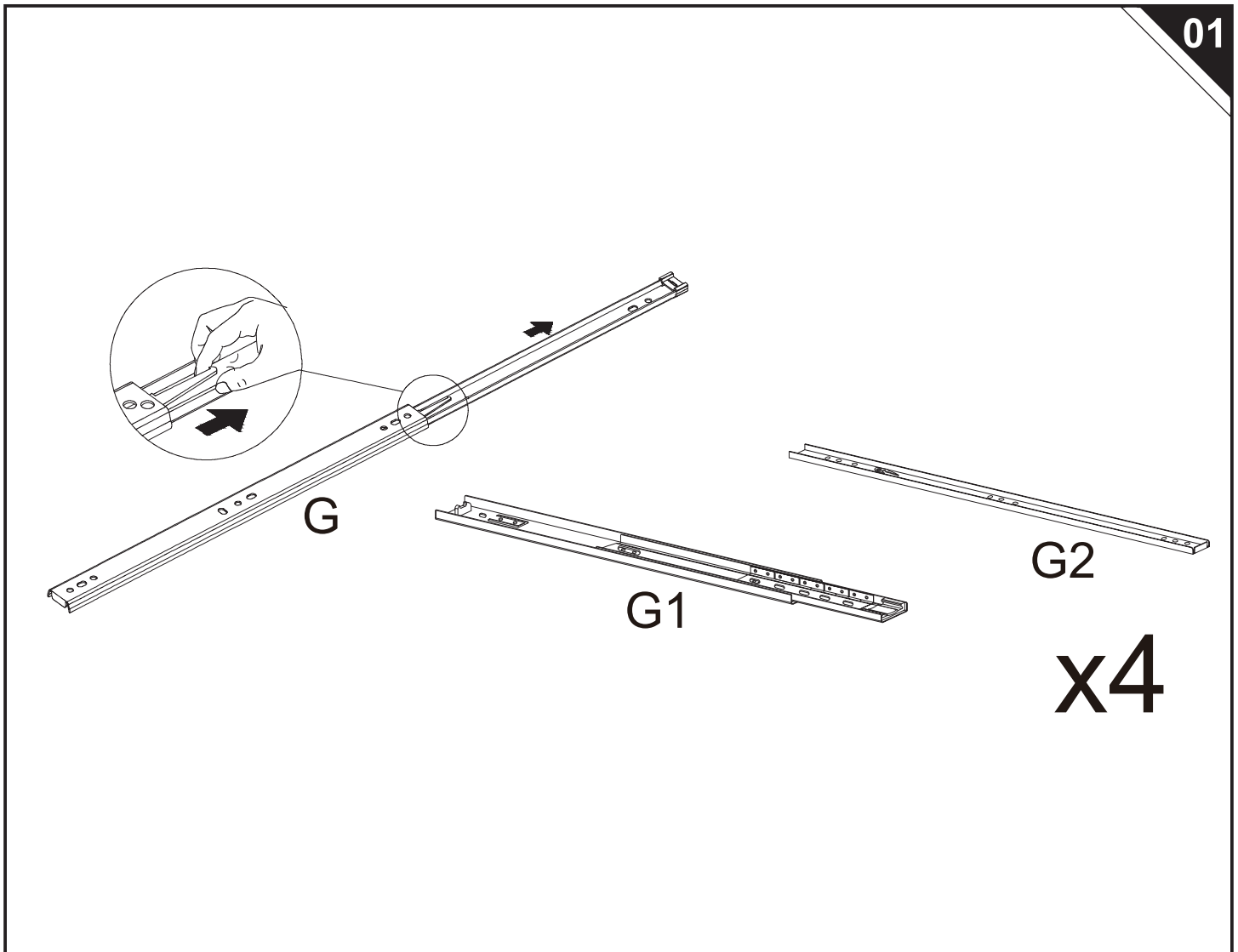
Kitchen Cart






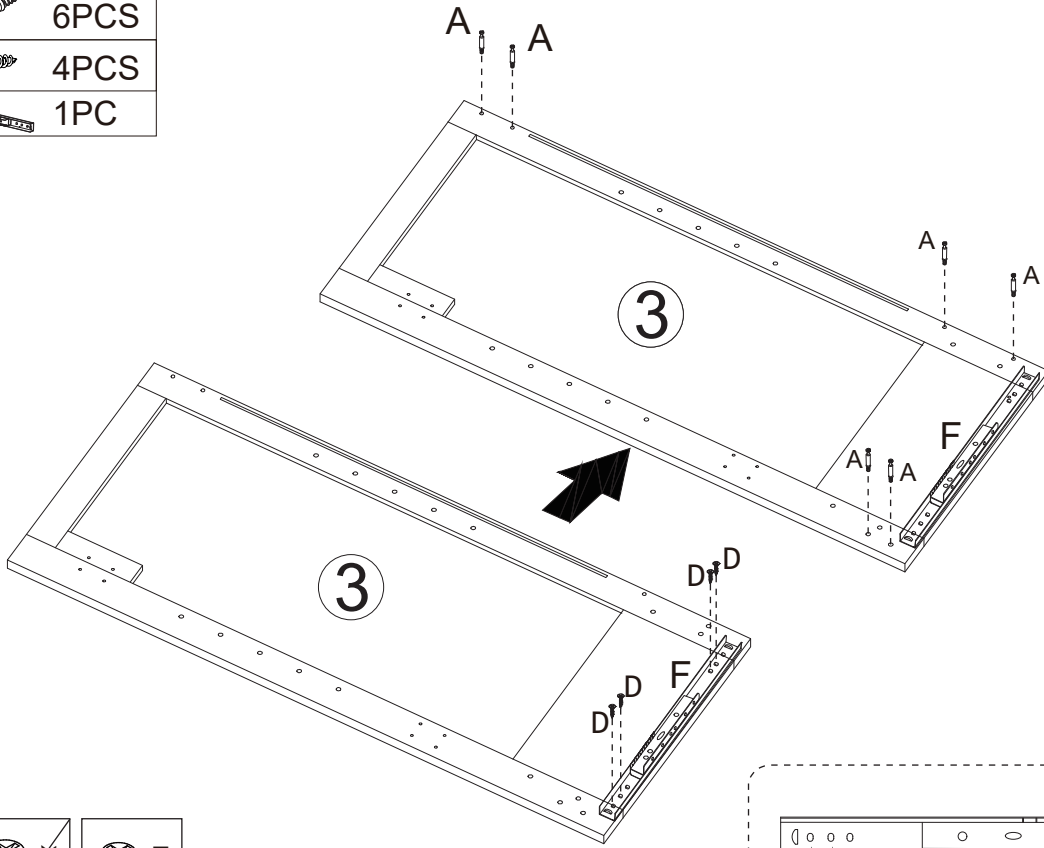




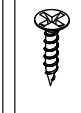


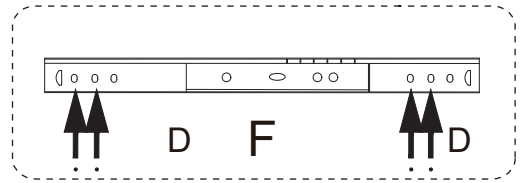
 A x21 +1(spare)	 B x21 +1(spare)	 C x18 +1(spare)	 D x90 M4*12 +2(spare)
 E x 4	 F x 3	 G1 x 4	 G2 x 4
 I x4 M4*16 +1(spare)	 J x 3	 K x 8	 L x20 M5*12 +1(spare)
 M x20 M4*35 +1(spare)	 N x 2	 O x 3	 P x 2
 Q x 3	 R x 5 M4*50	 S x 1	 T x 2
 X x 4 M3*14	 Y x 4	 Z x 6 M4*25	 H x2 M4*14

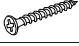


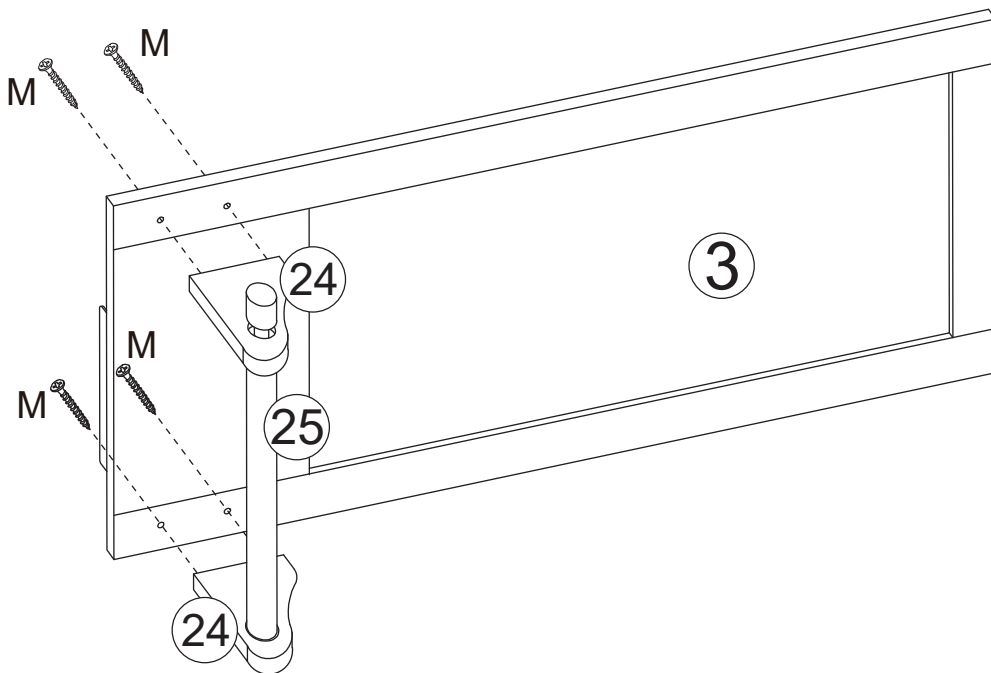
- A  6PCS
- D  4PCS
- F  1PC









-  L-5x12mm
-  X-3x14mm
-  D-4x12mm

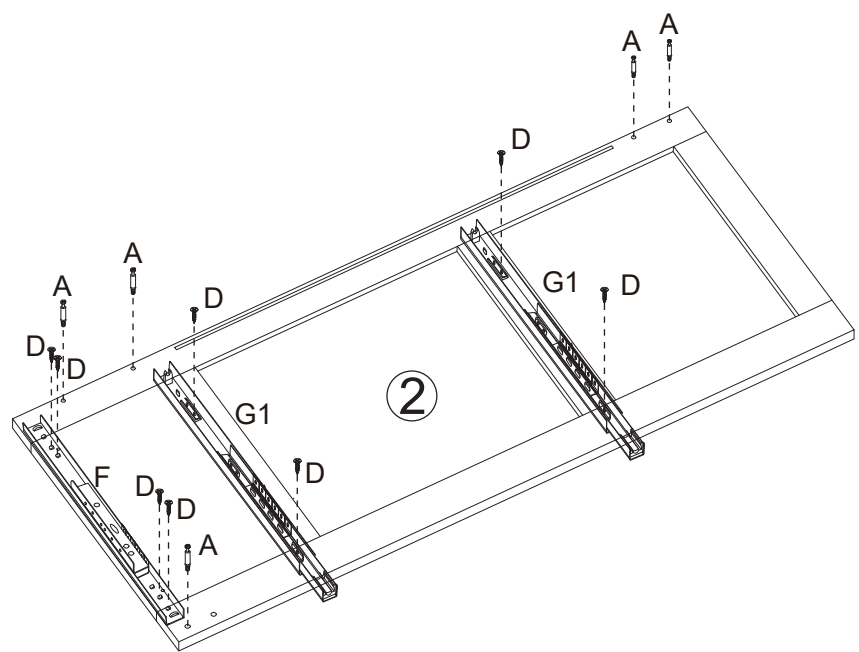
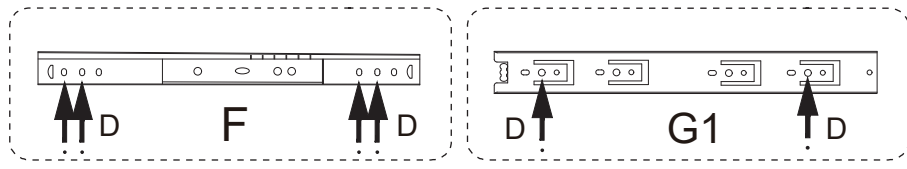





- M  4PCS







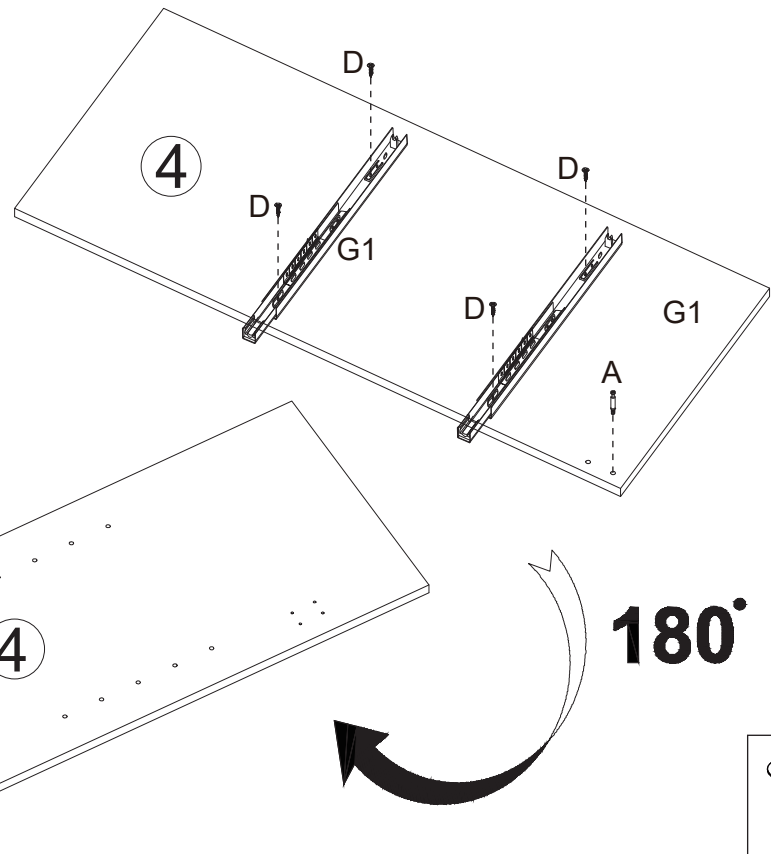
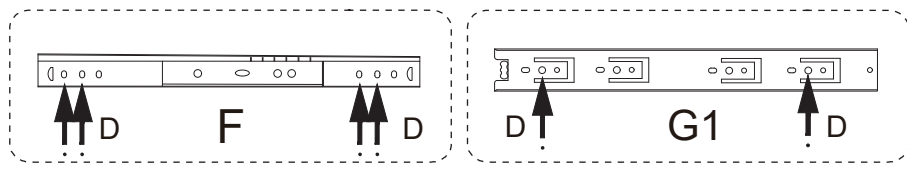
-  M-4x35mm
-  R-4x50mm



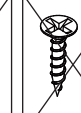
- A  5PCS
- D  8PCS
- F  1PC
- G1  2PCS



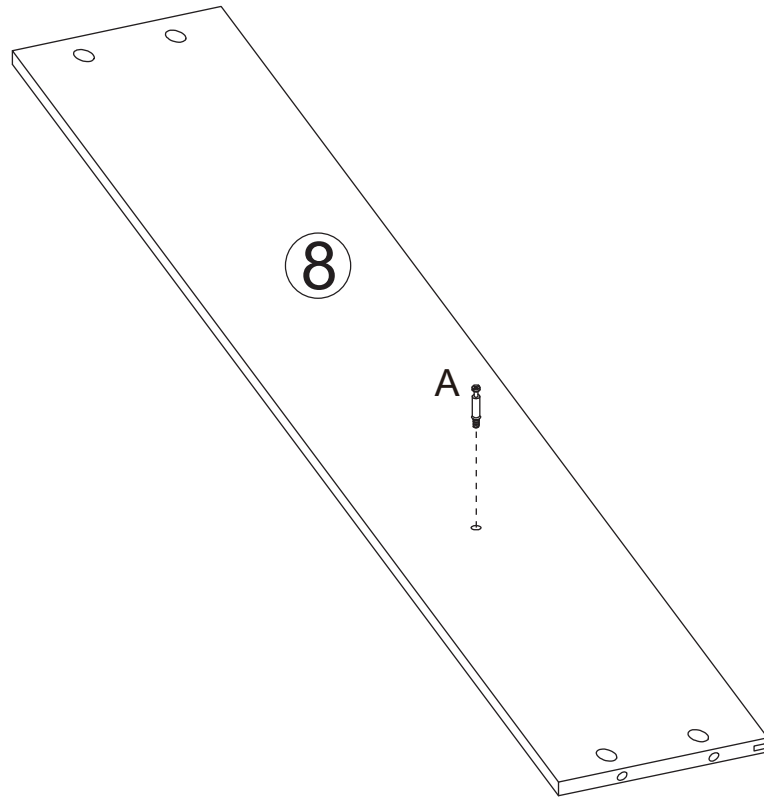
-  $\cancel{D: 5 \times 12 \text{mm}}$
-  $\cancel{X: 3 \times 14 \text{mm}}$
-  D: 4x12mm

- A  3PCS
- D  8PCS
- F  1PC
- G1  2PCS

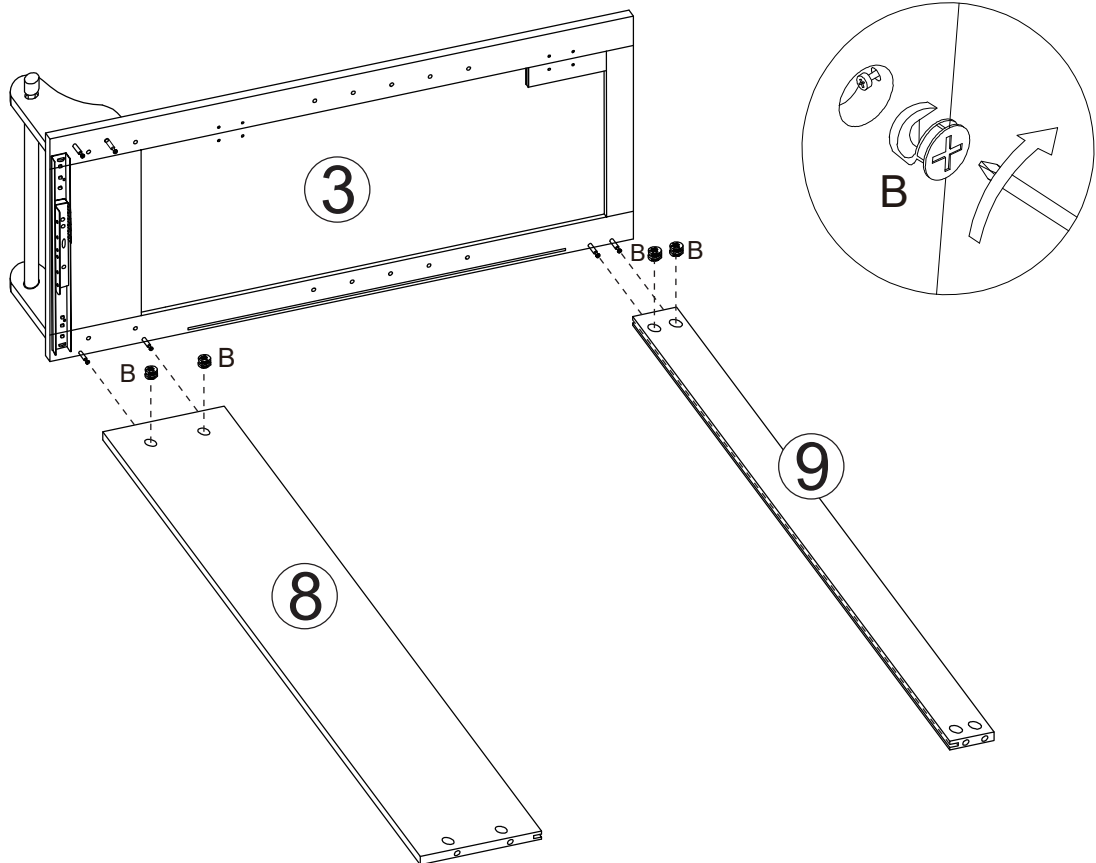


-  D: 4x12mm
-  $\cancel{D: 5 \times 12 \text{mm}}$
-  $\cancel{X: 3 \times 14 \text{mm}}$

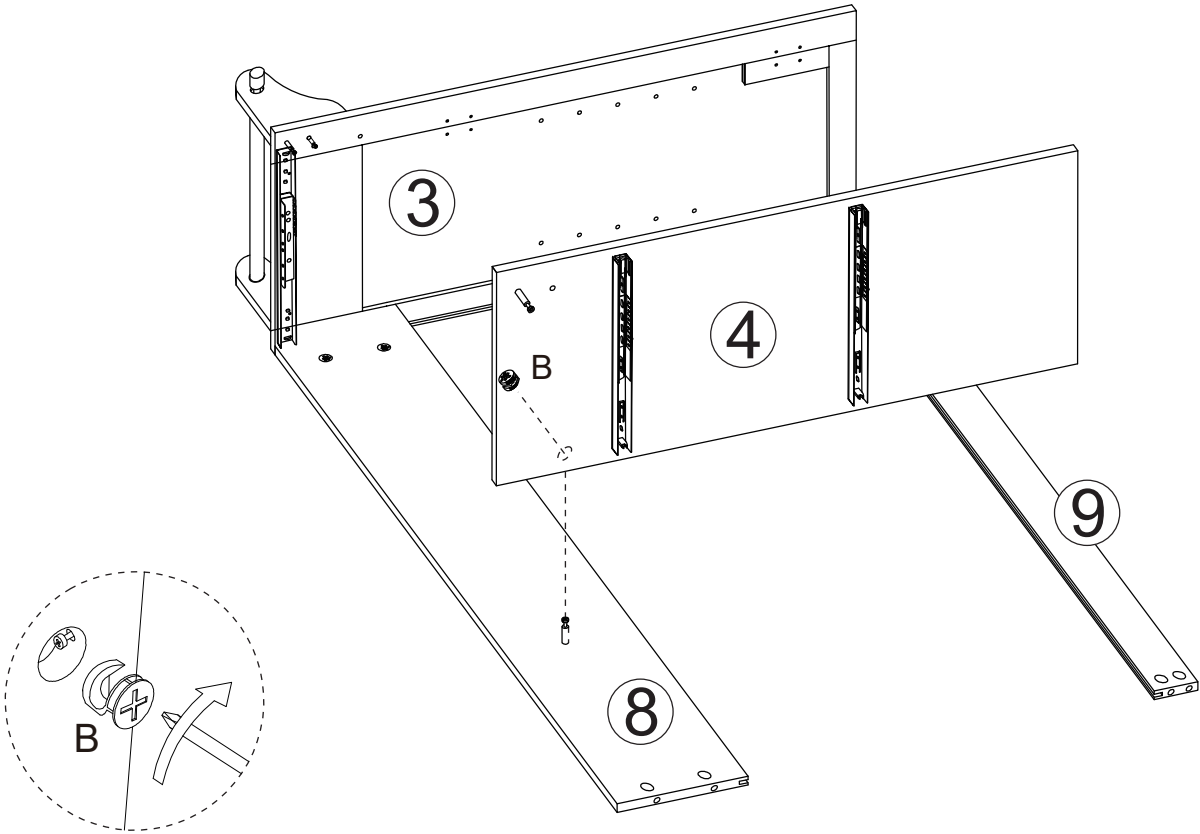
A  1PC





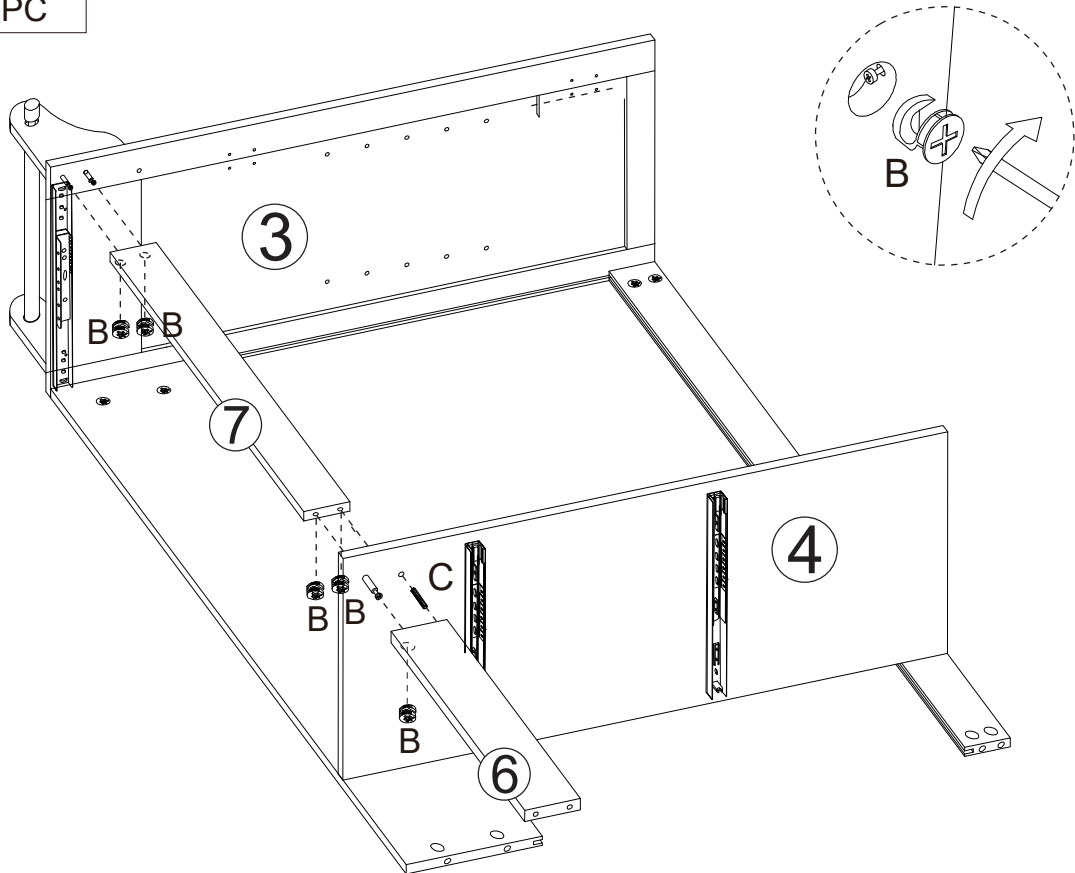
B  4PCS

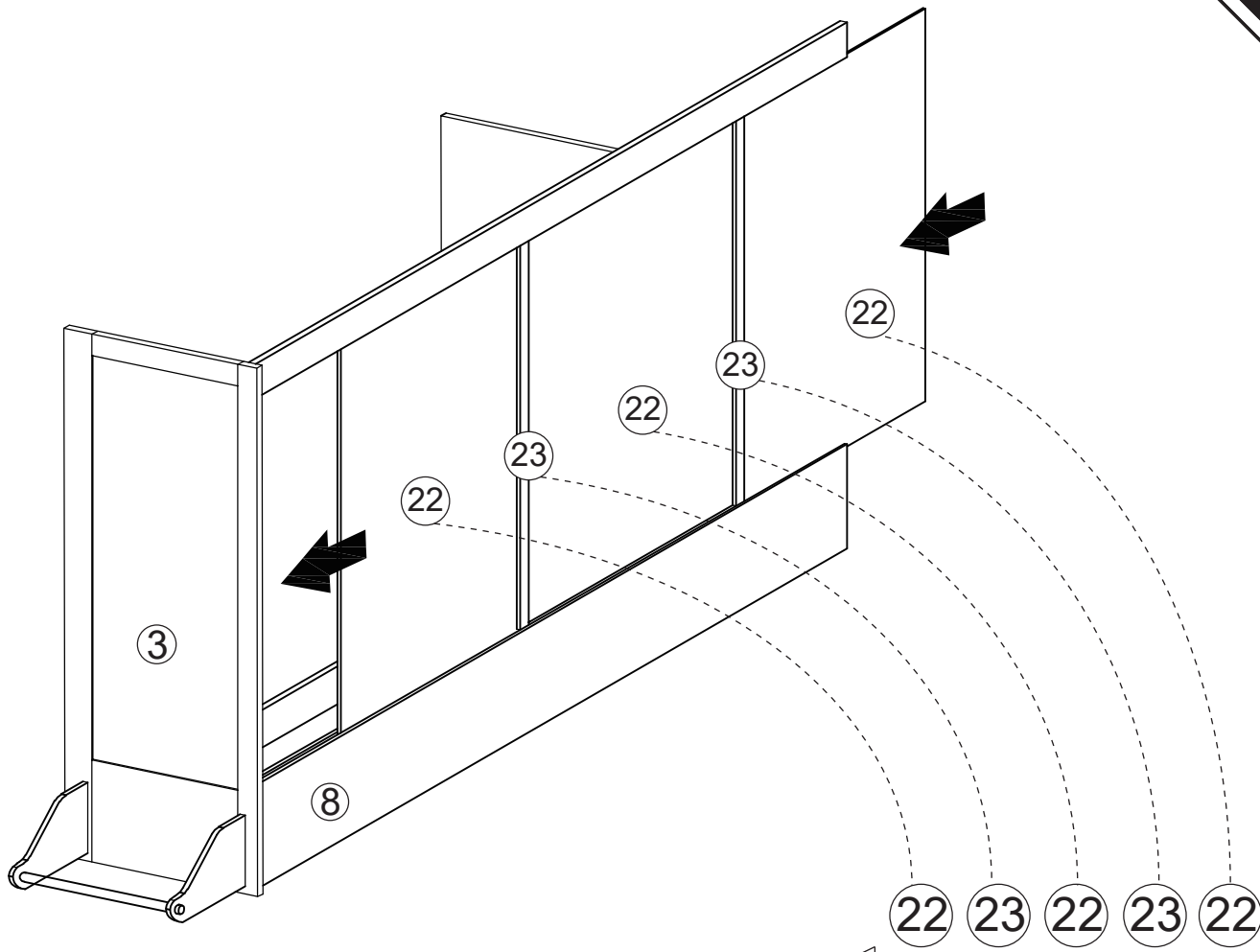
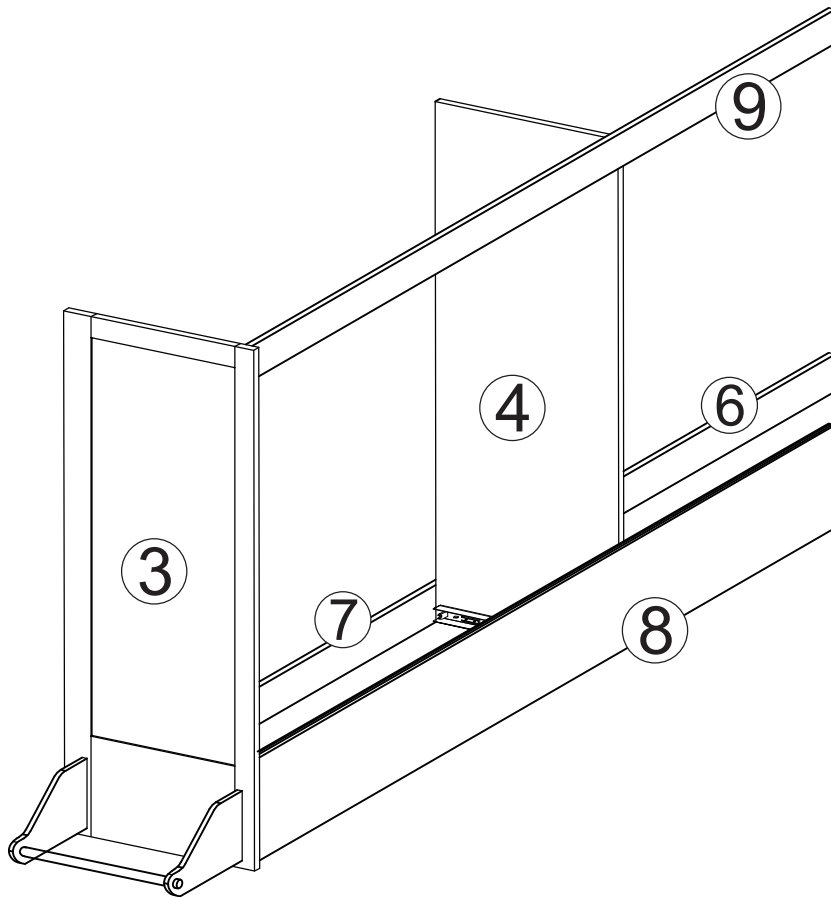




B  1PCS

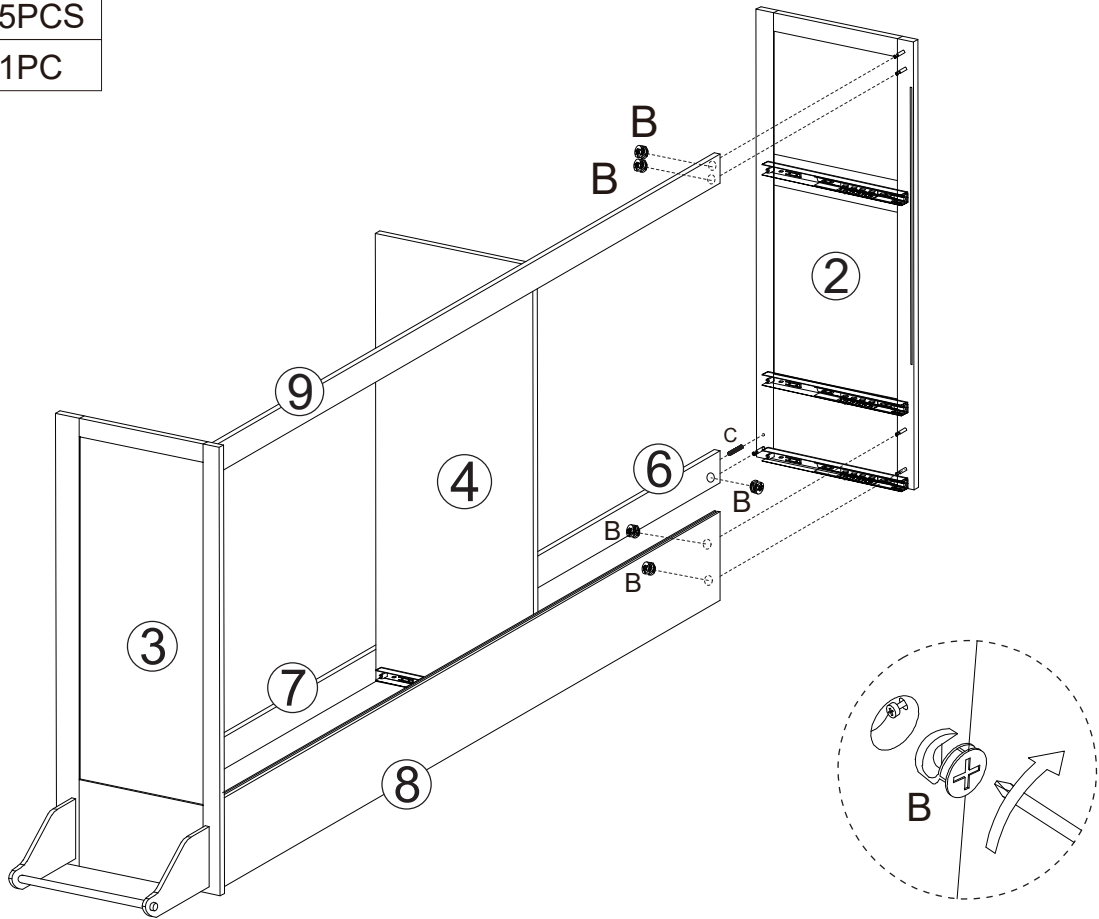


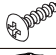



B  5PCS
 C  1PC

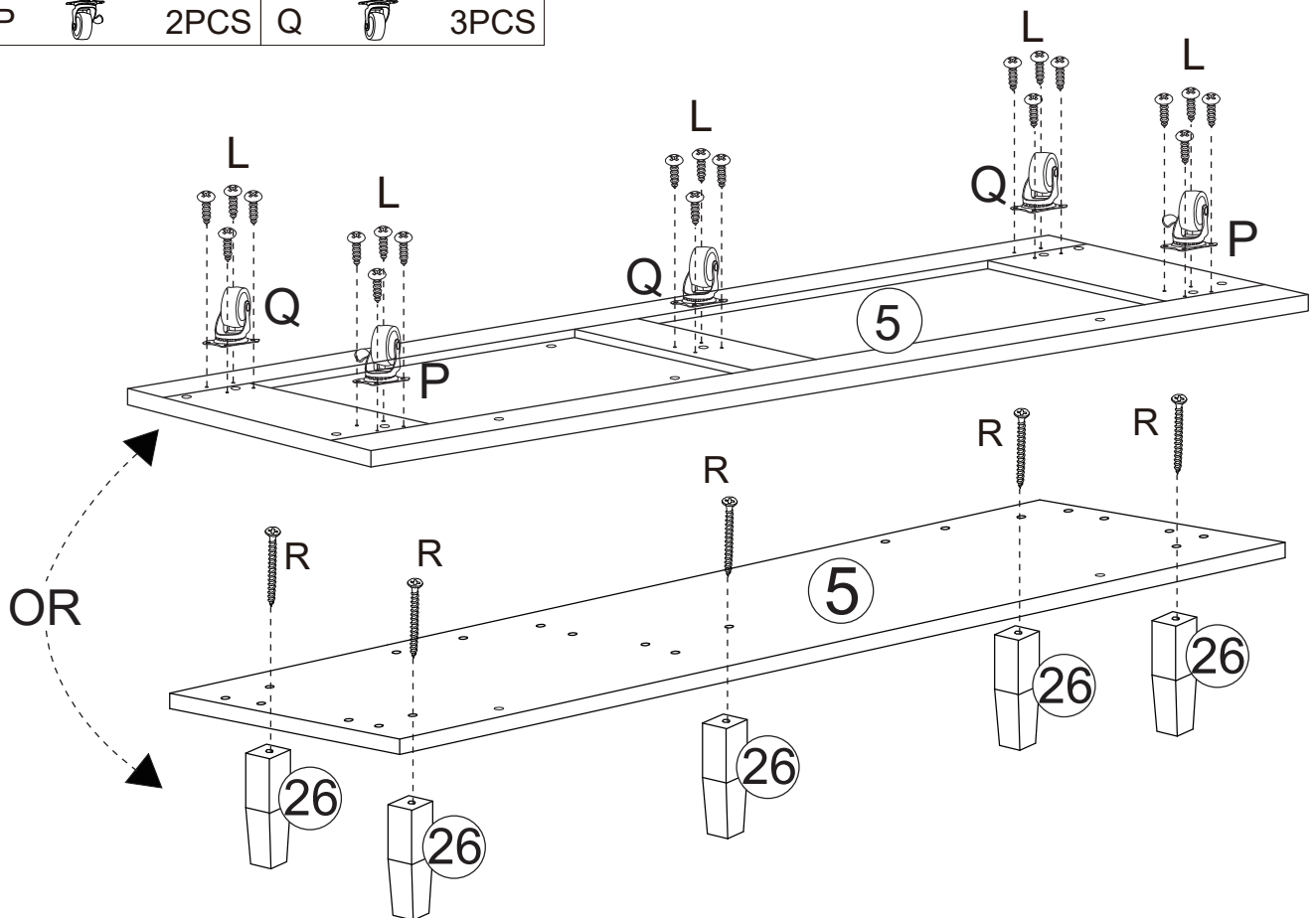






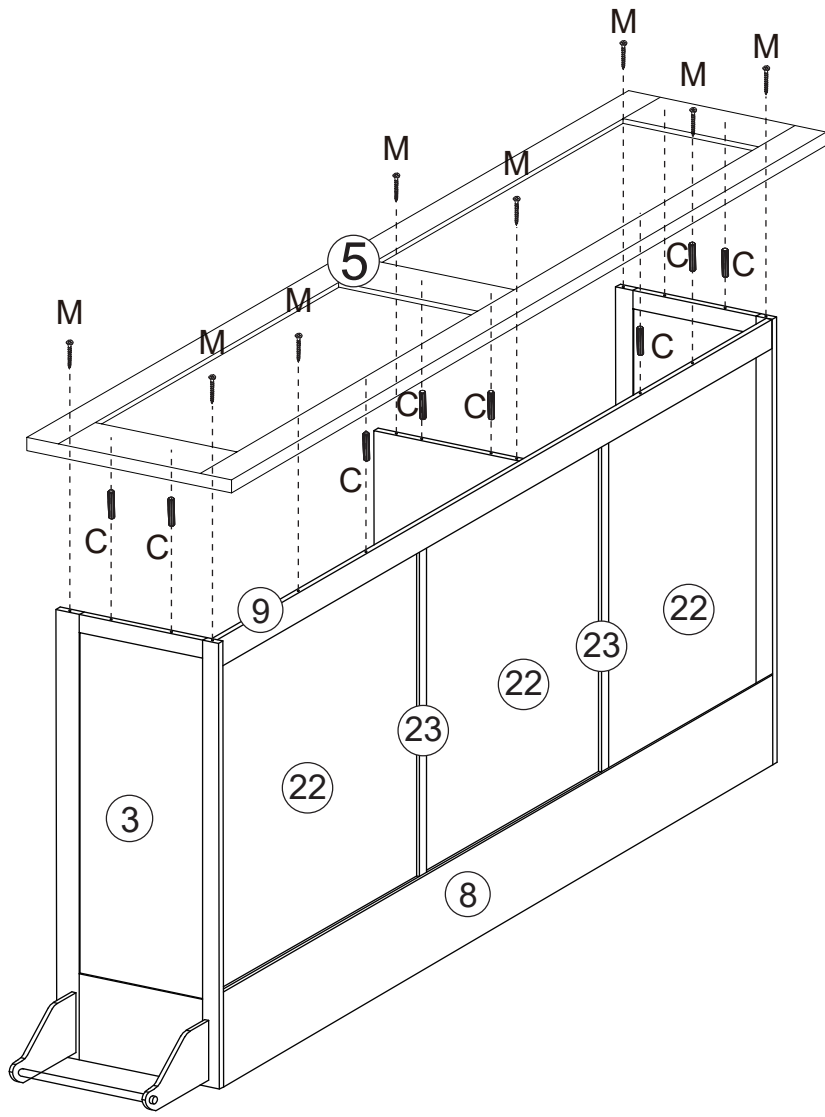
B		5PCS
C		1PC







L		20PCS	R		5PCS
P		2PCS	Q		3PCS

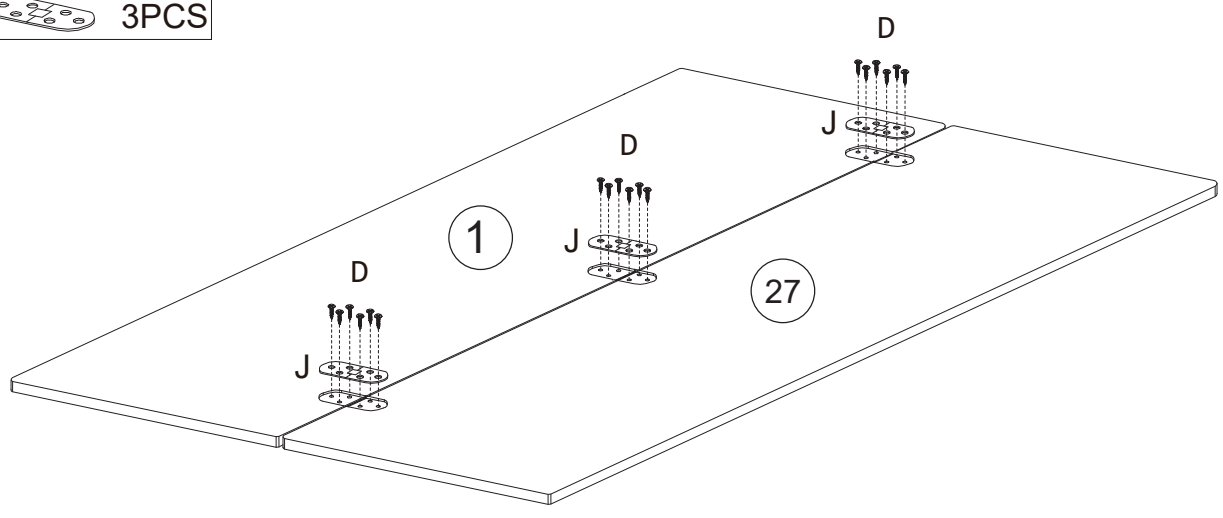





- C  8PCS
- M  8PCS



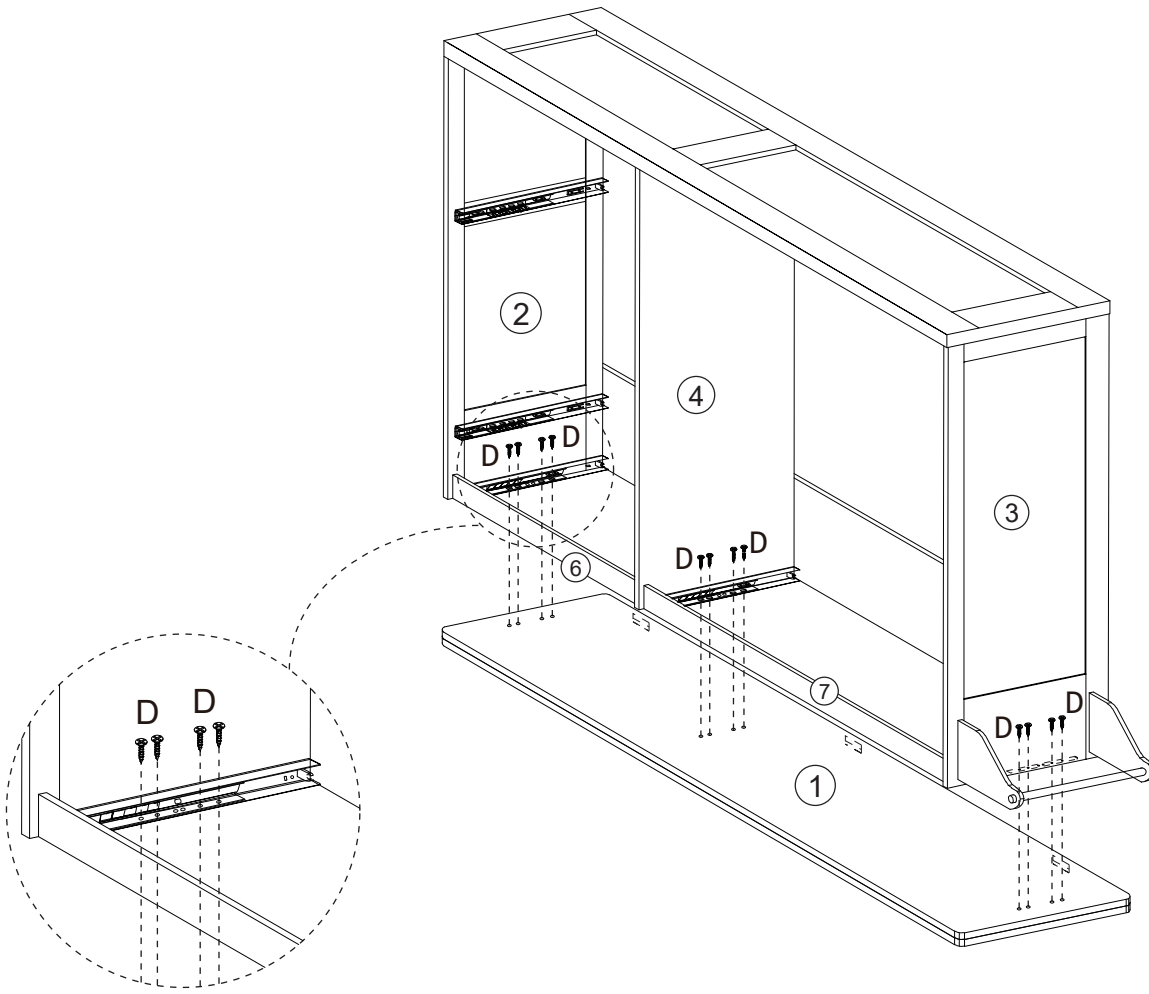
-  M:4x35mm
- ~~ R:4x50mm~~



- D  18PCS
- J  3PCS

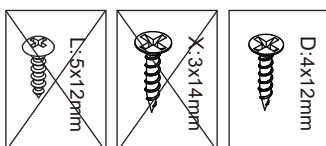
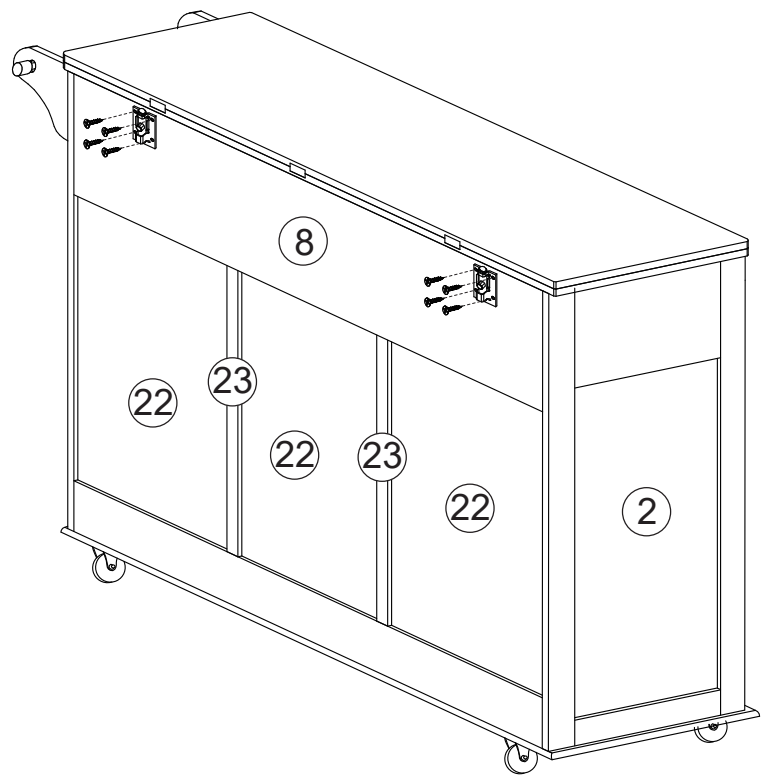


- ~~ L:5x12mm~~
- ~~ X:3x14mm~~
-  D:4x12mm

D  12PCS

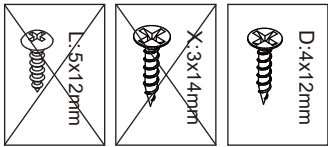
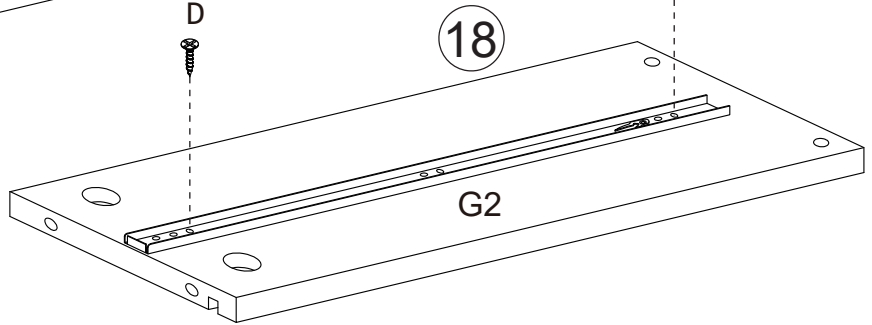
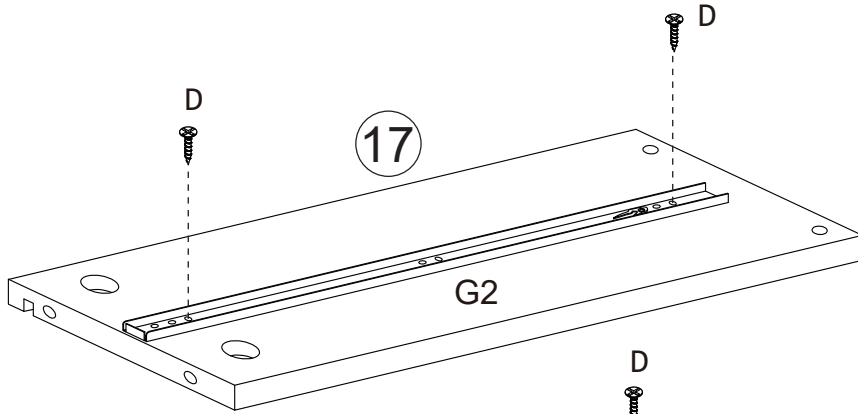
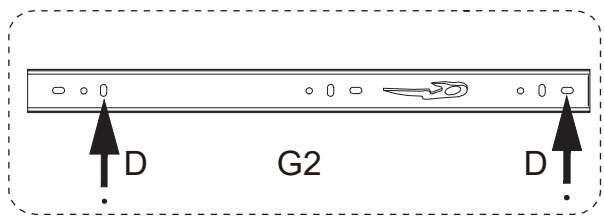


D  8PCS
 N  2PCS

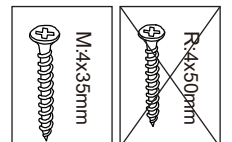
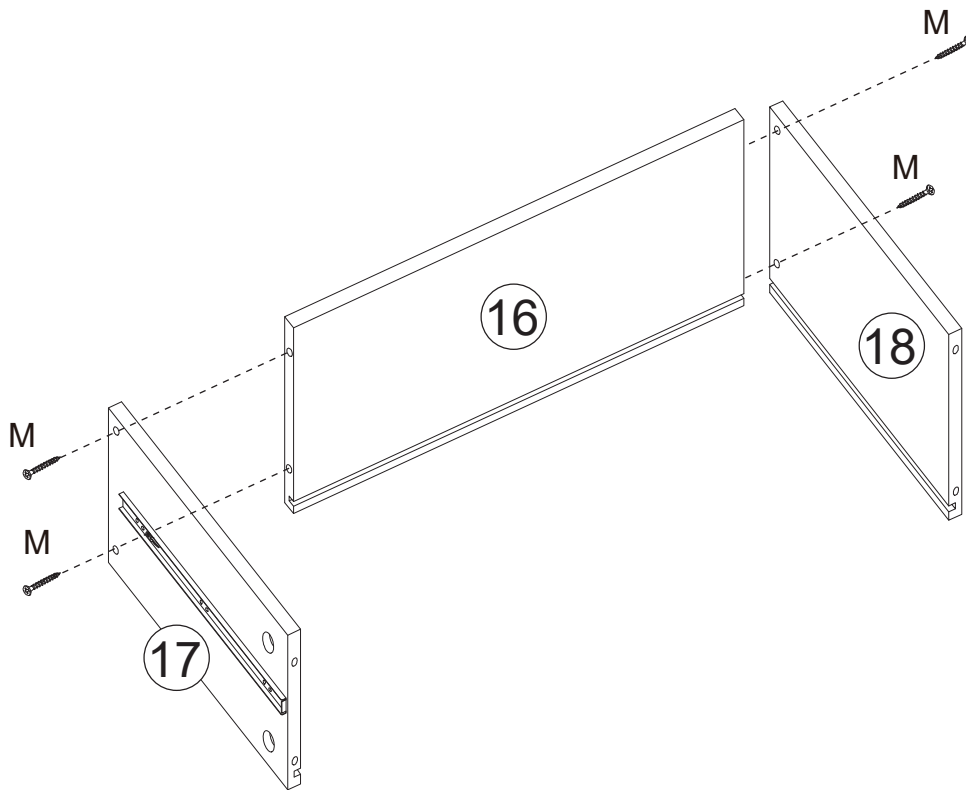


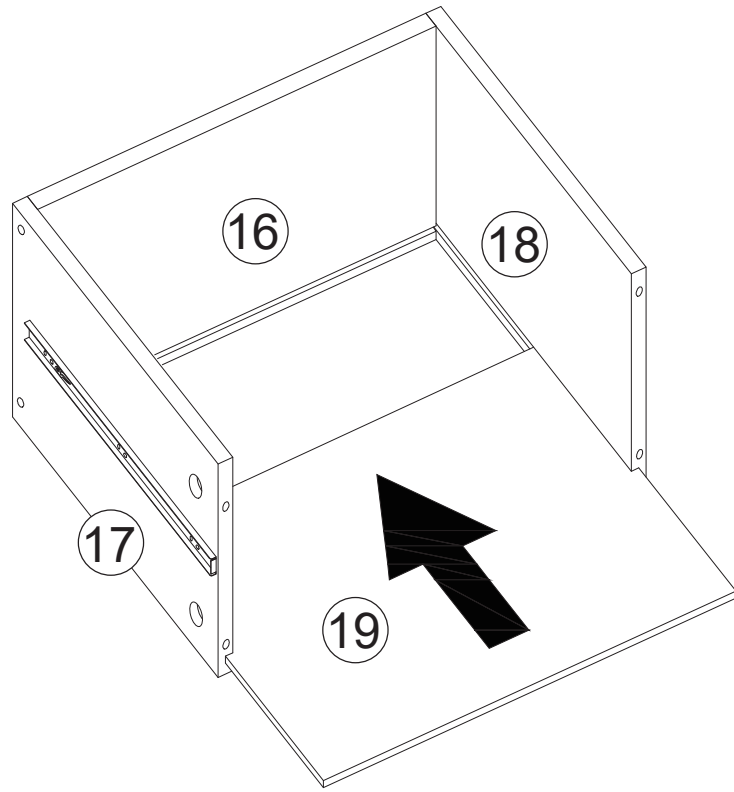
D  4PCS

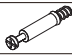
G2  2PCS

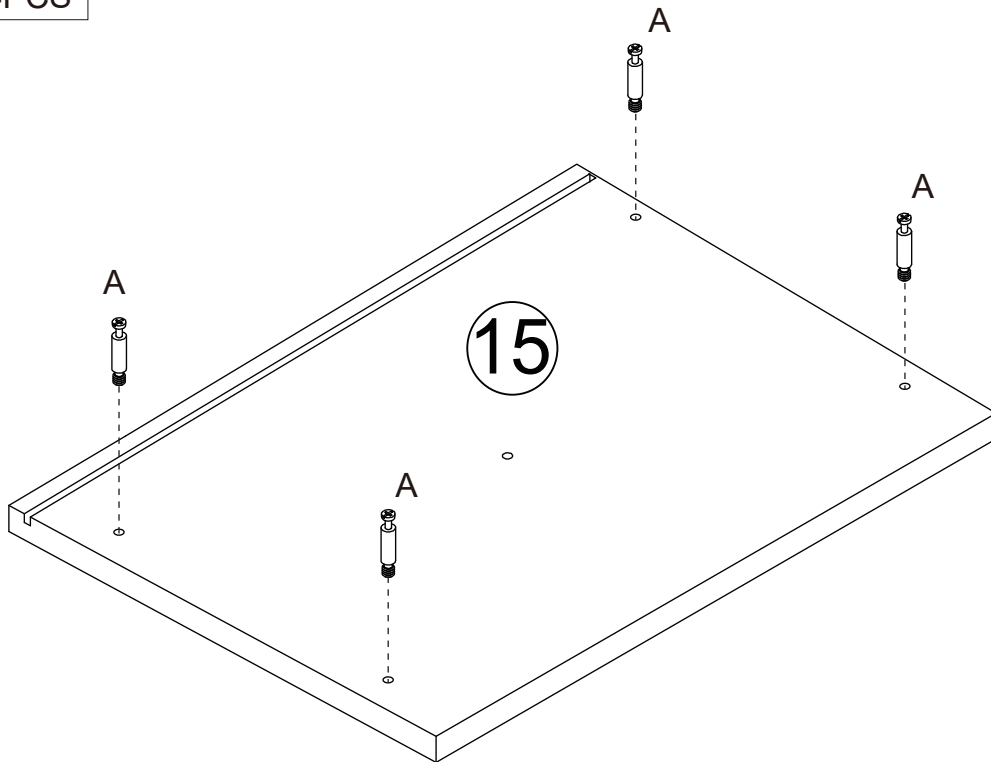





M  4PCS

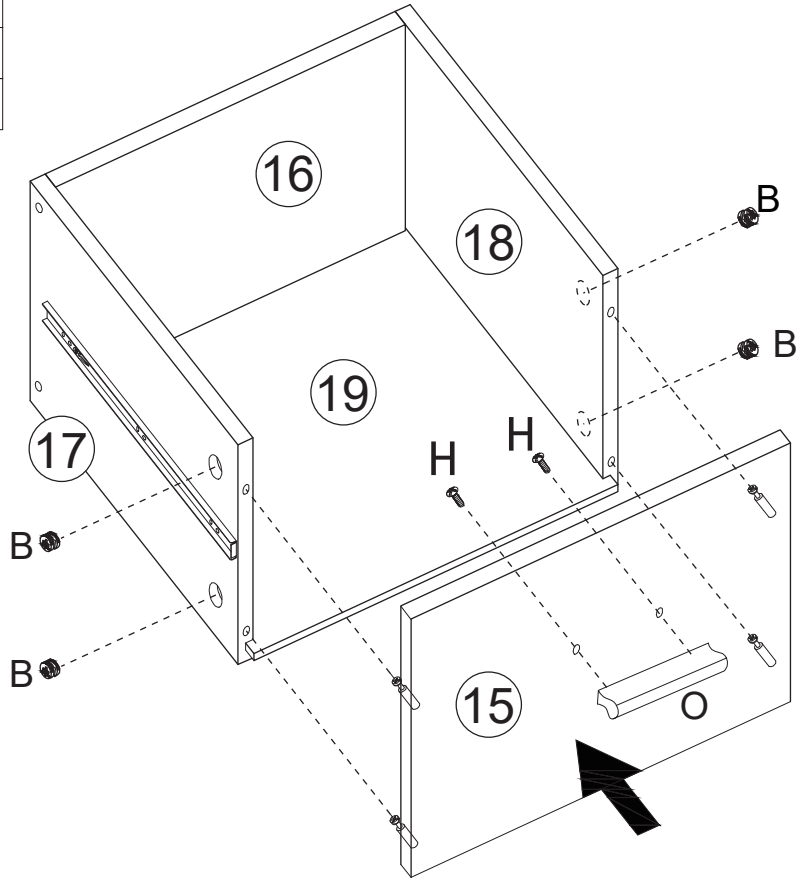





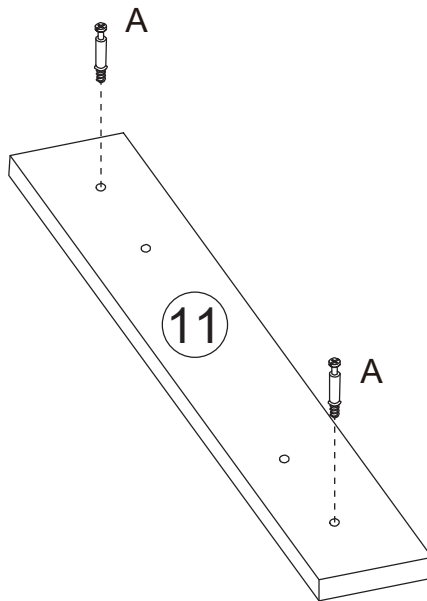
A  4PCS

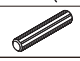
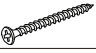


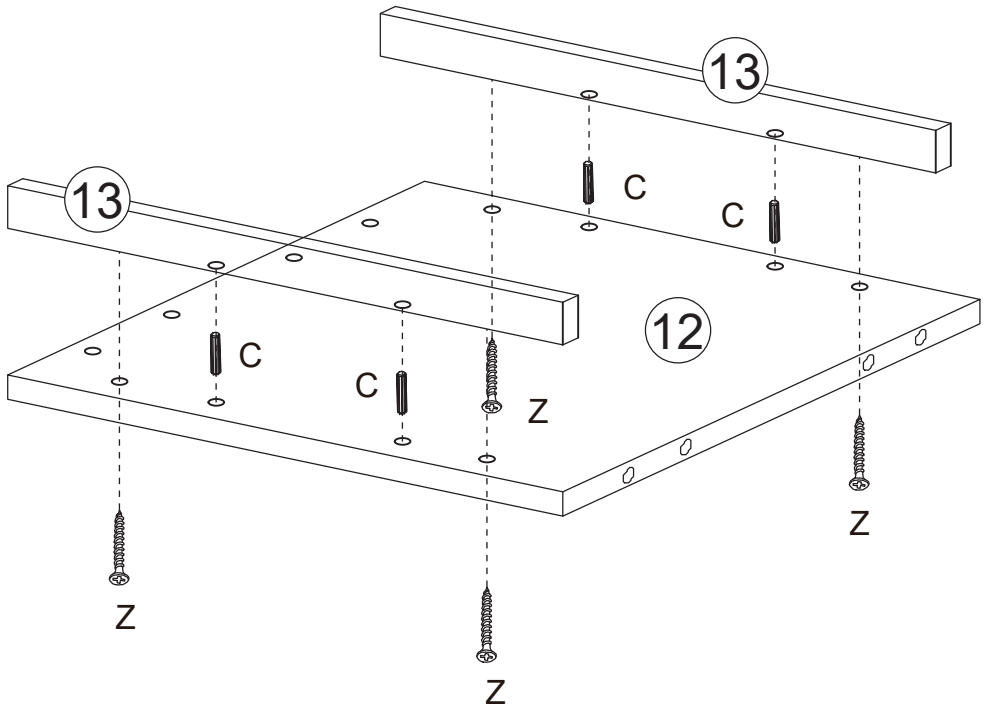
H		2PCS
O		1PC
B		4PCS





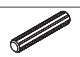
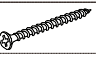
A		2PCS
---	---	------

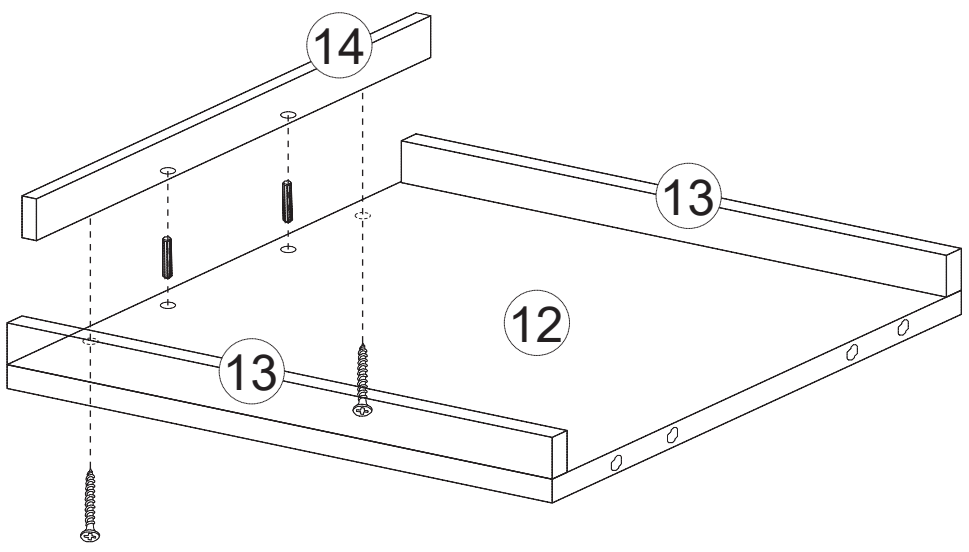




- | | | |
|---|---|------|
| C |  | 4PCS |
| Z |  | 4PCS |





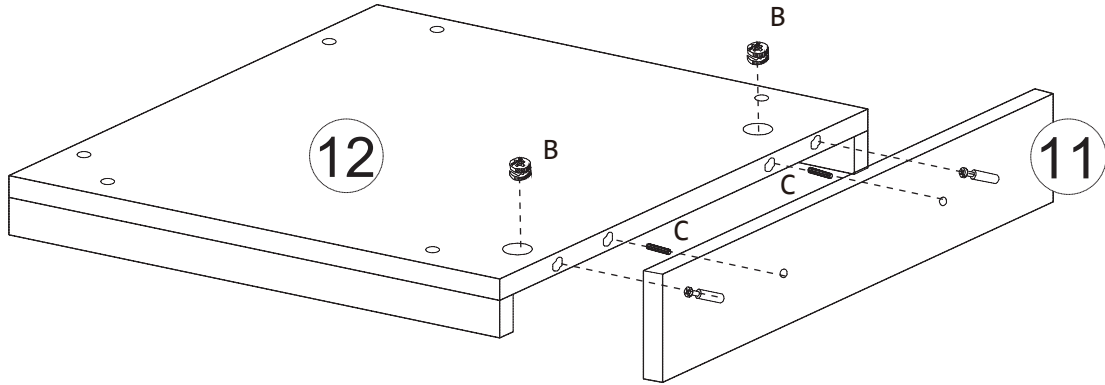
 M:4x35mm	 R:4x50mm
--	---



- | | | |
|---|---|------|
| C |  | 2PCS |
| Z |  | 2PCS |

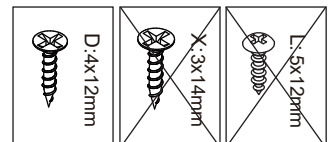
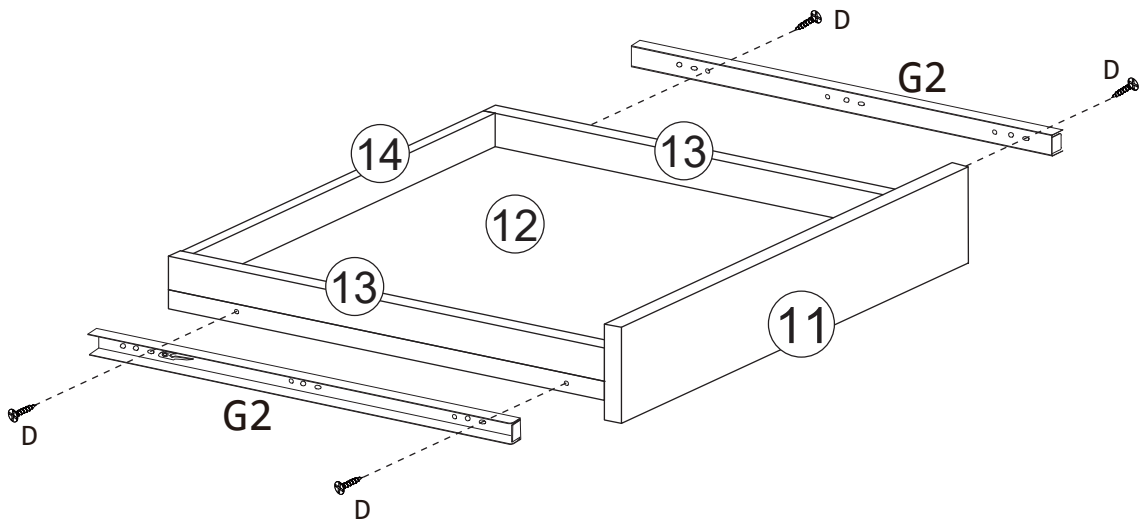
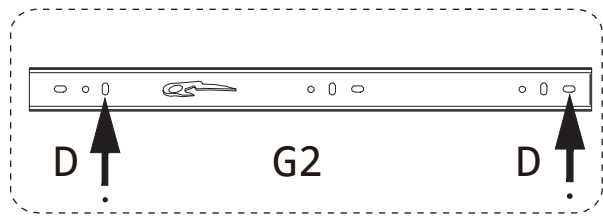


 M:4x35mm	 R:4x50mm
--	---

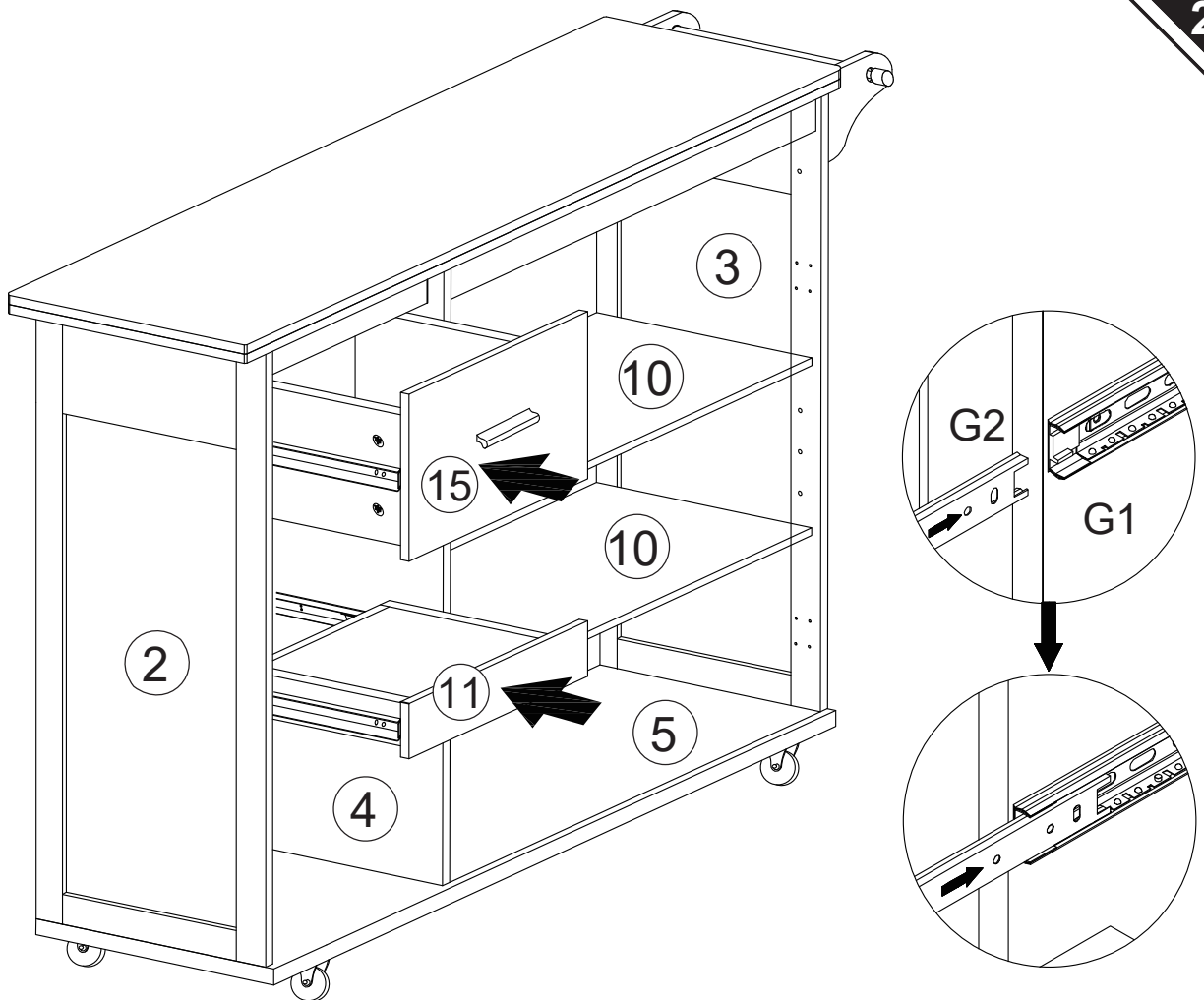
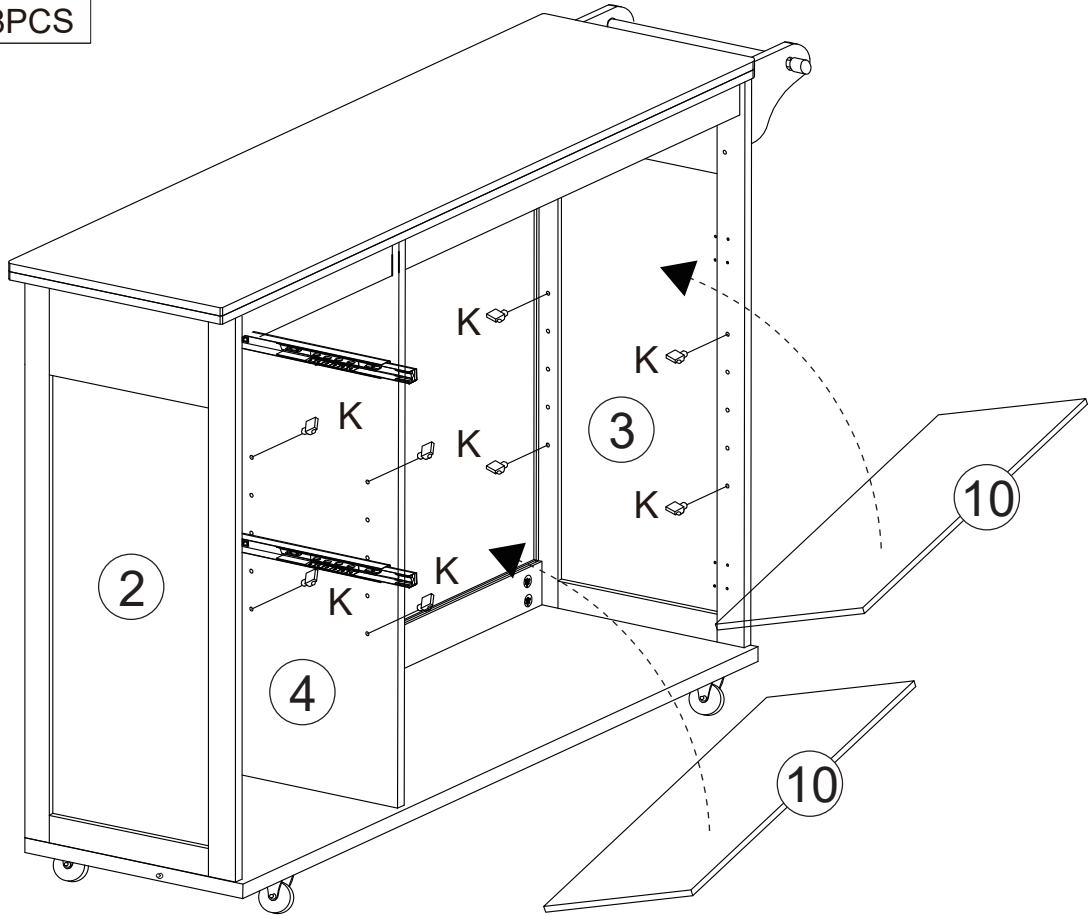
B		2PCS
C		2PCS





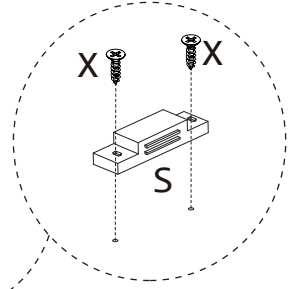
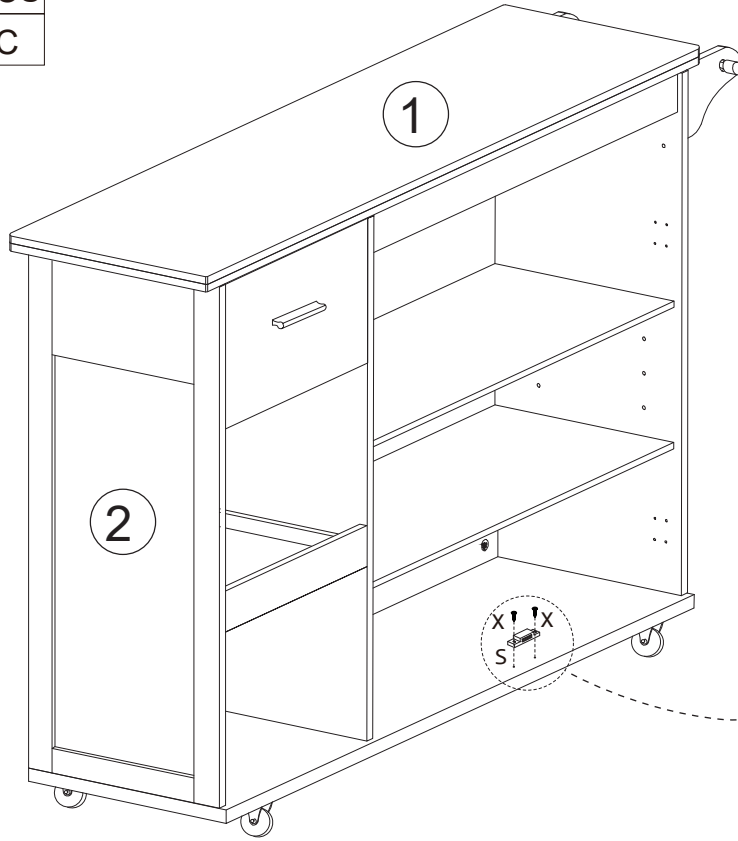
D		4PCS
G2		2PCS




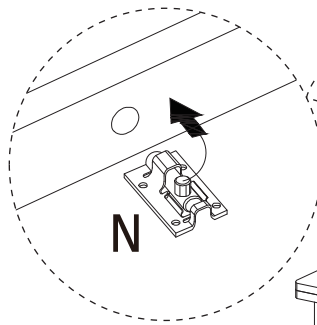
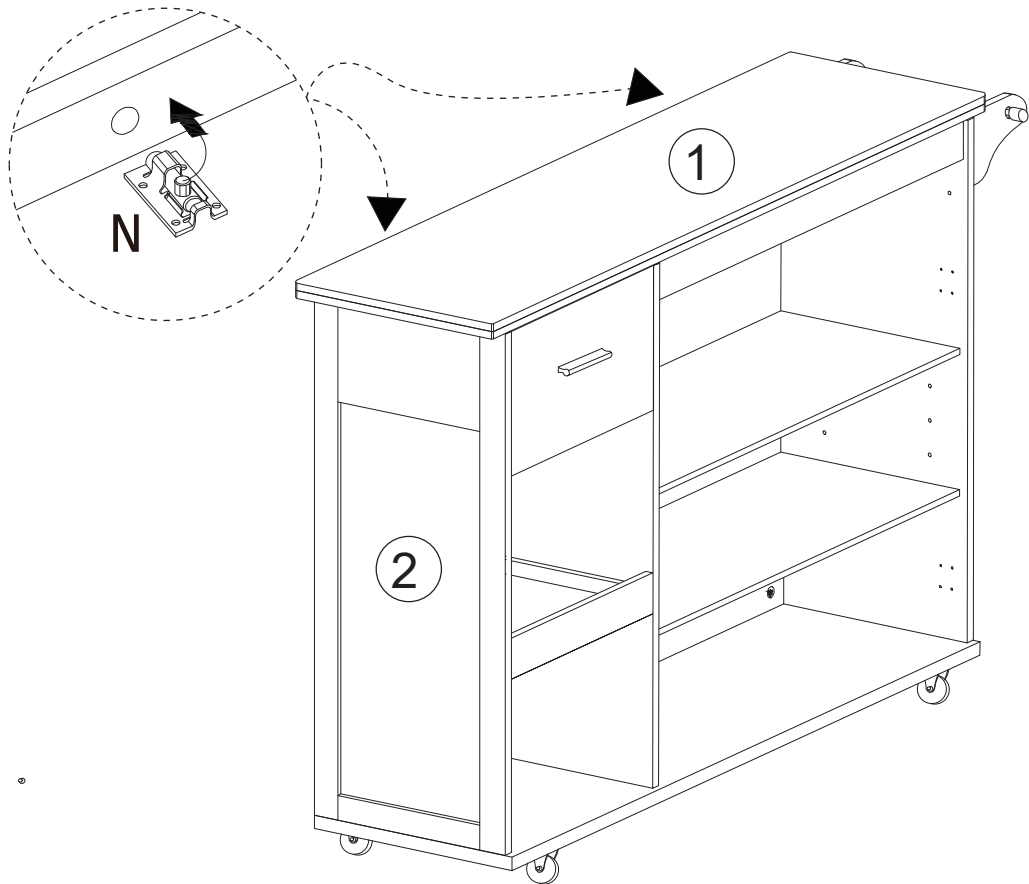
K 8PCS



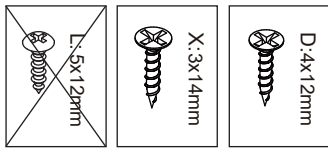
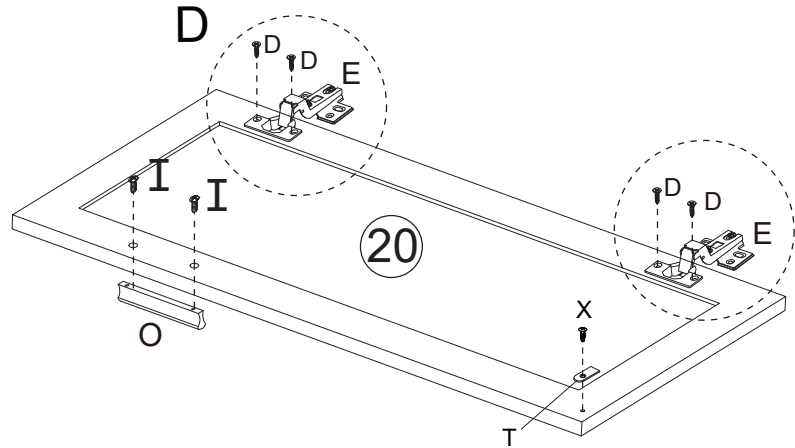
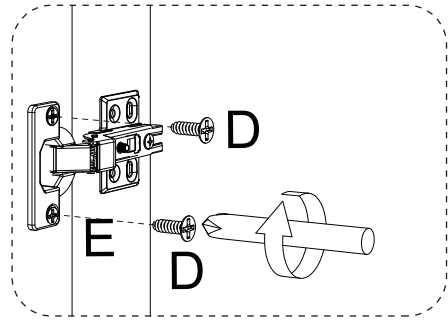
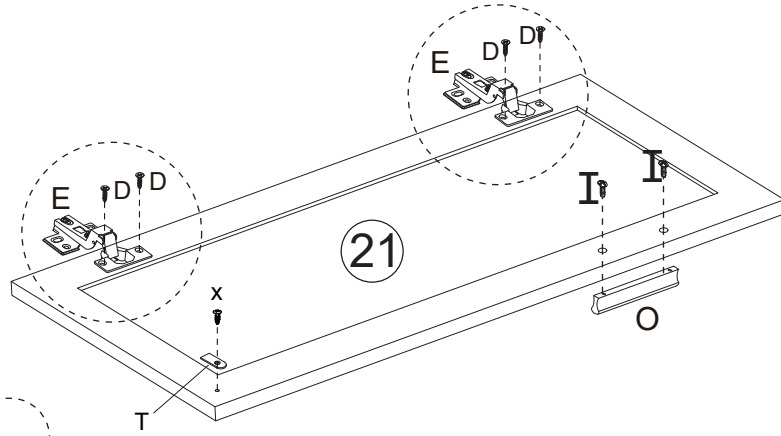
- X  2PCS
- S  1PC



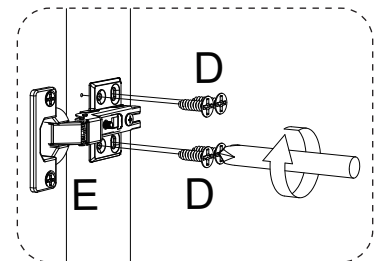
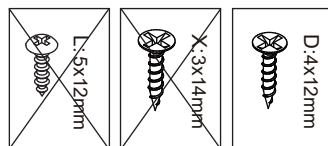
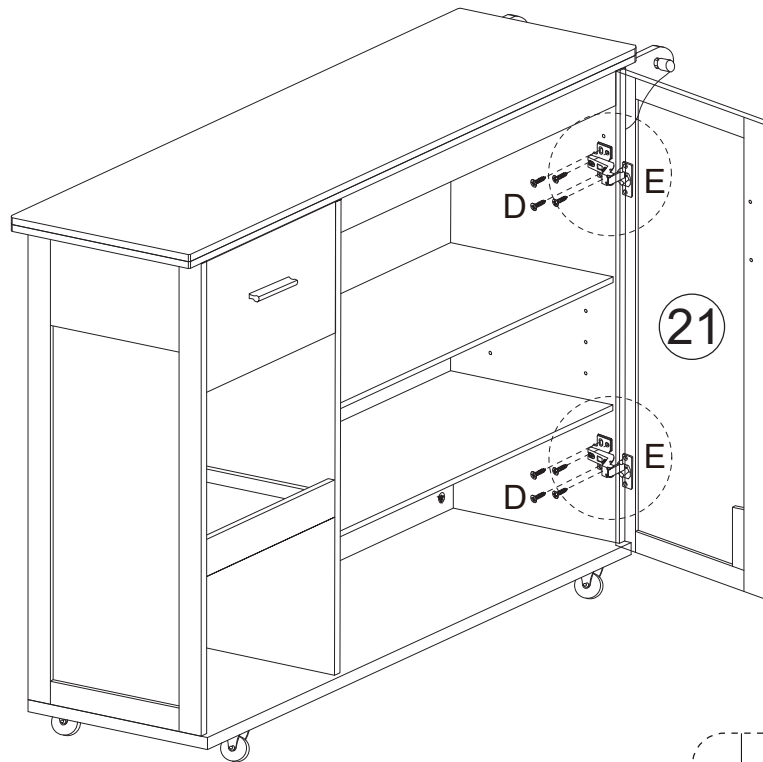
- N  2PCS



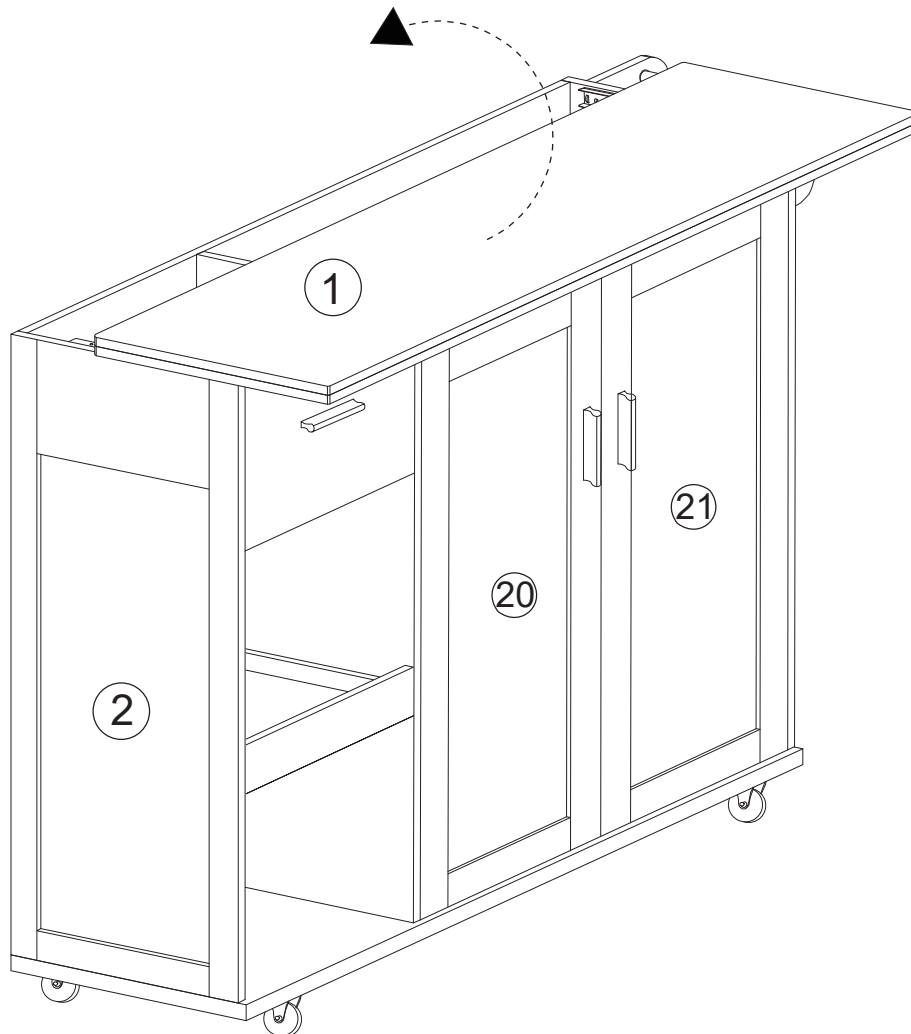
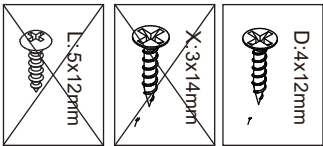
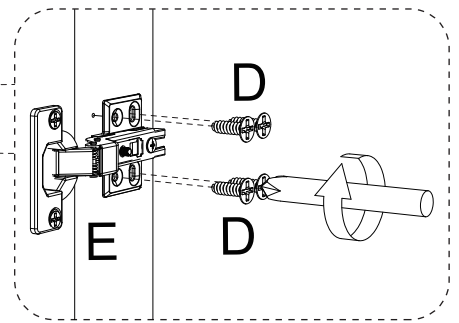
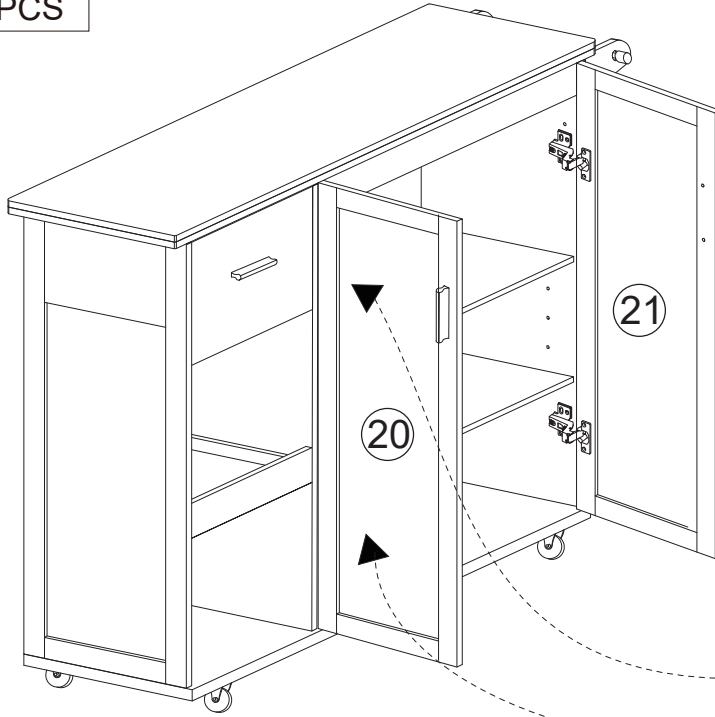
D		8PCS
E		4PCS
T		2PCS
X		2PCS
I		4PCS
O		2PCS



D		8PCS
---	--	------



D  8PCS





Y  4PCS

