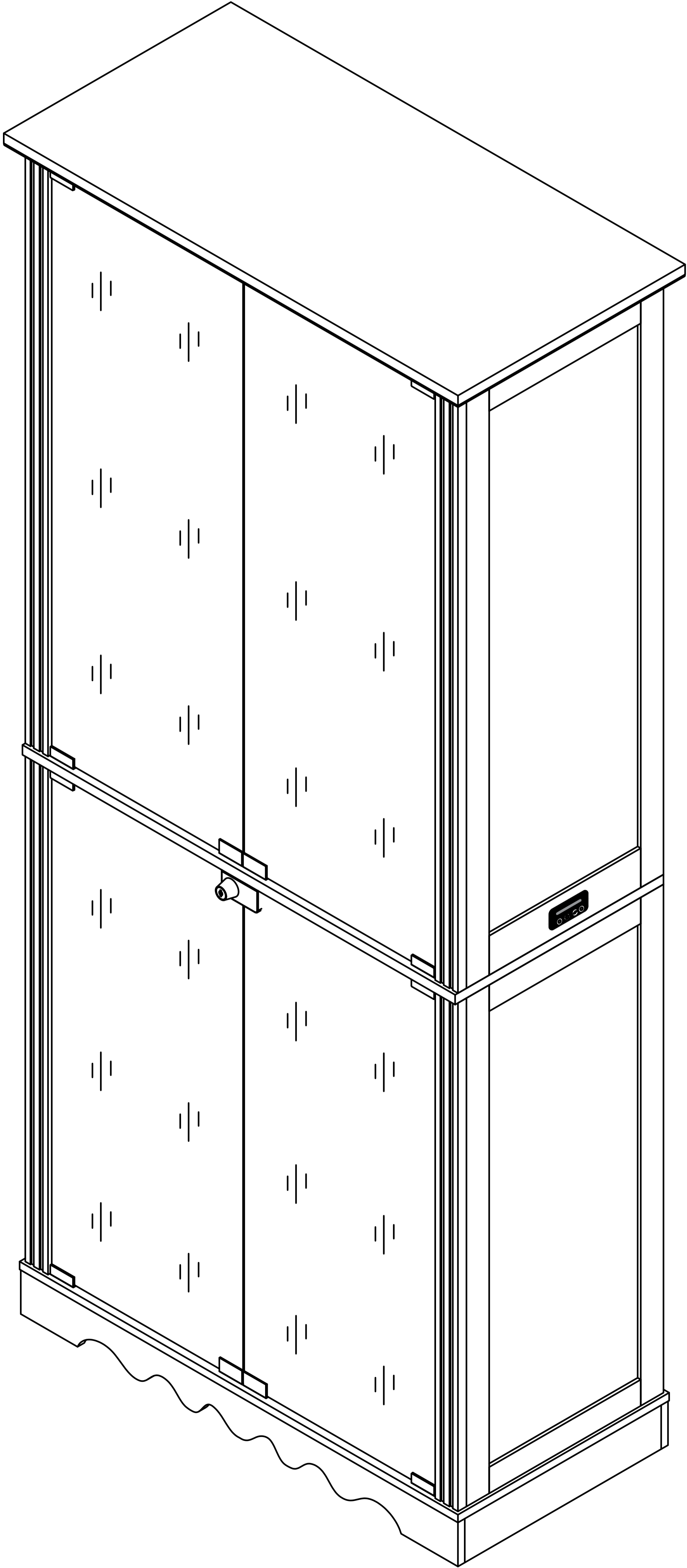
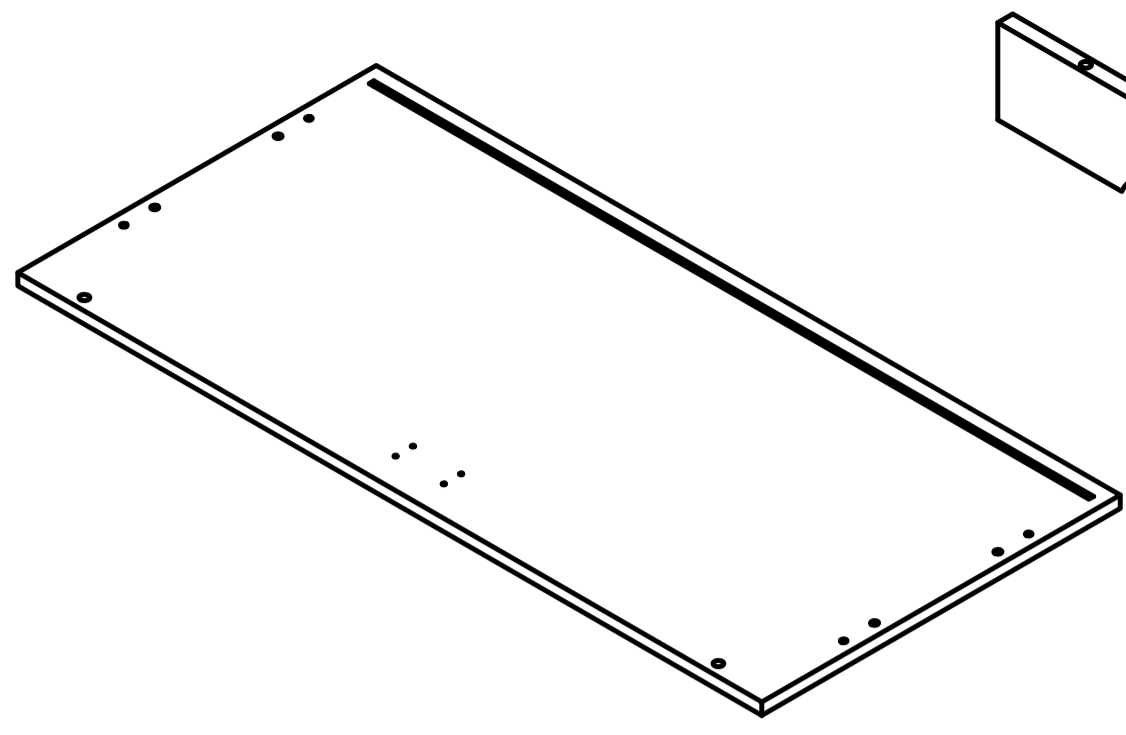
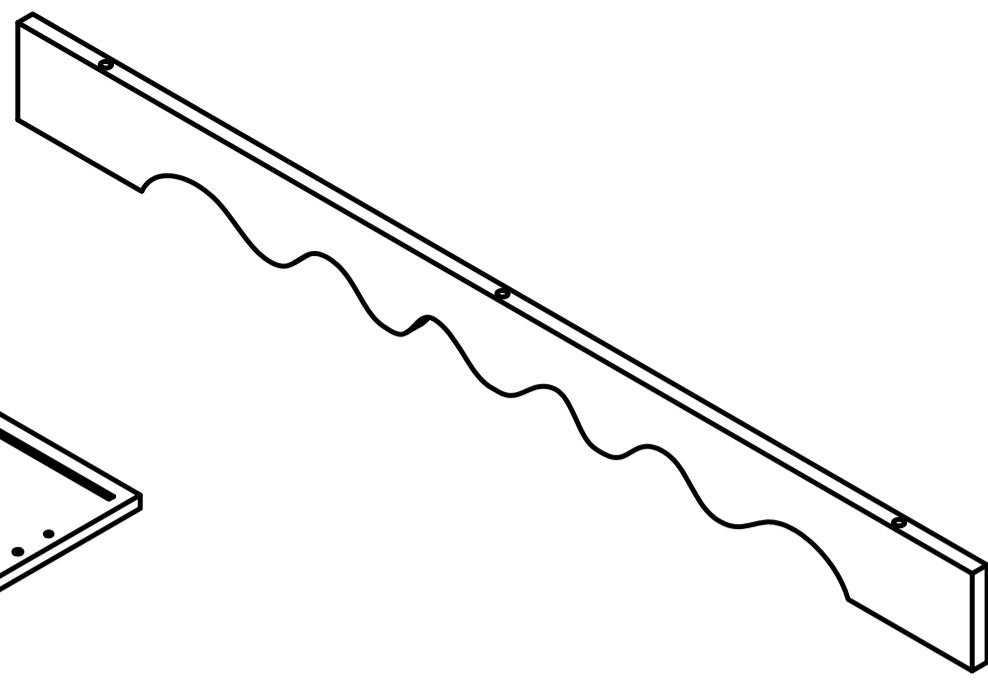


Product Installation Instructions

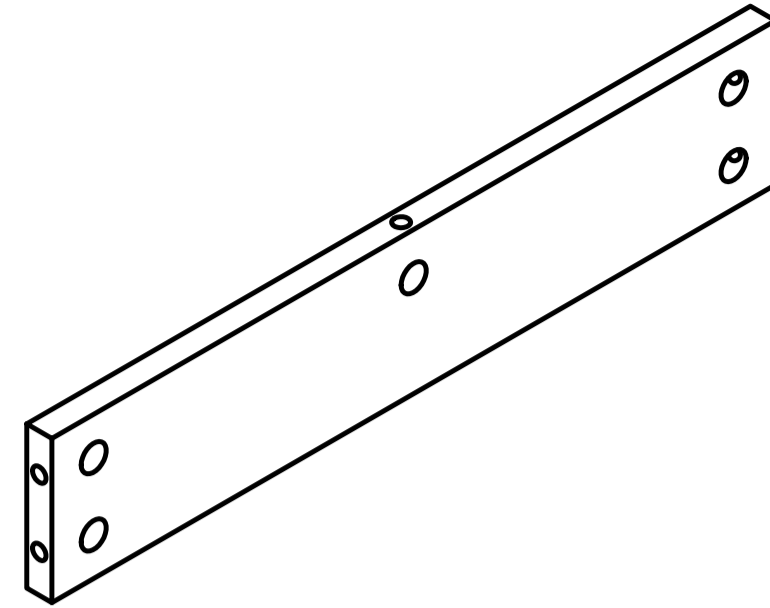




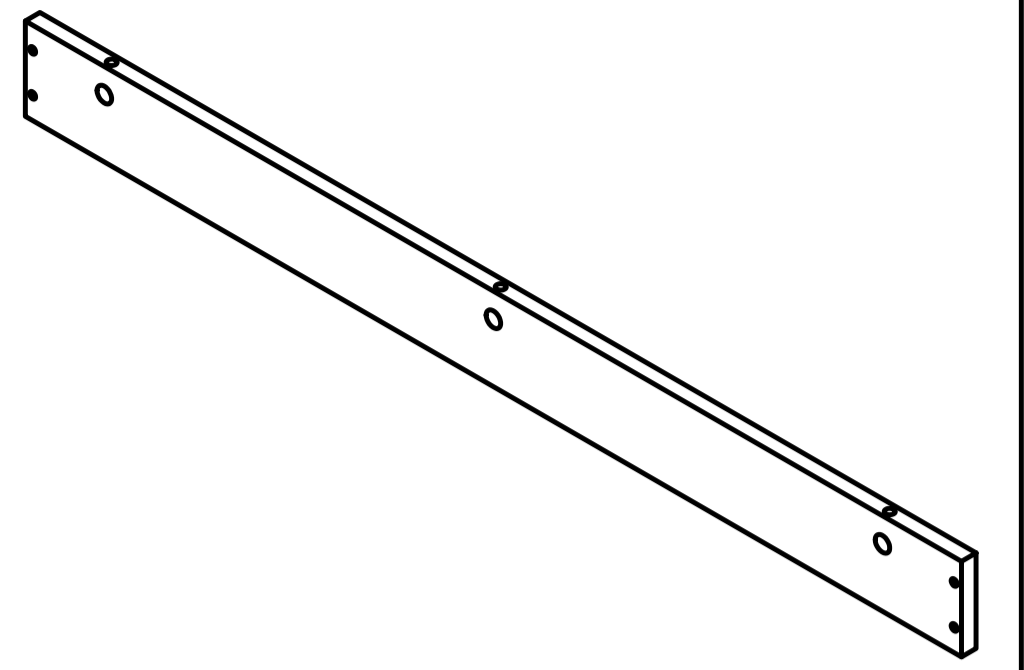
Ax1



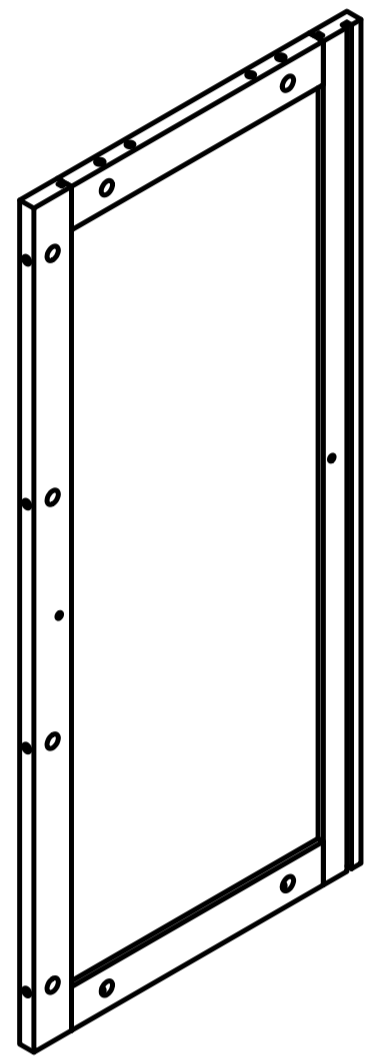
Bx1



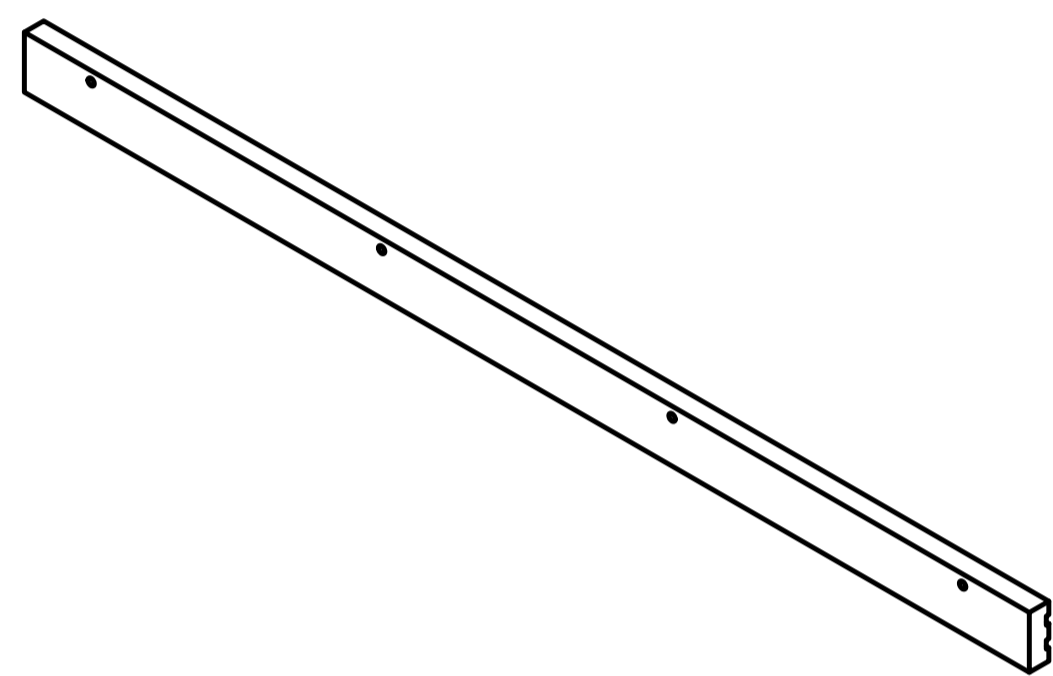
Cx2



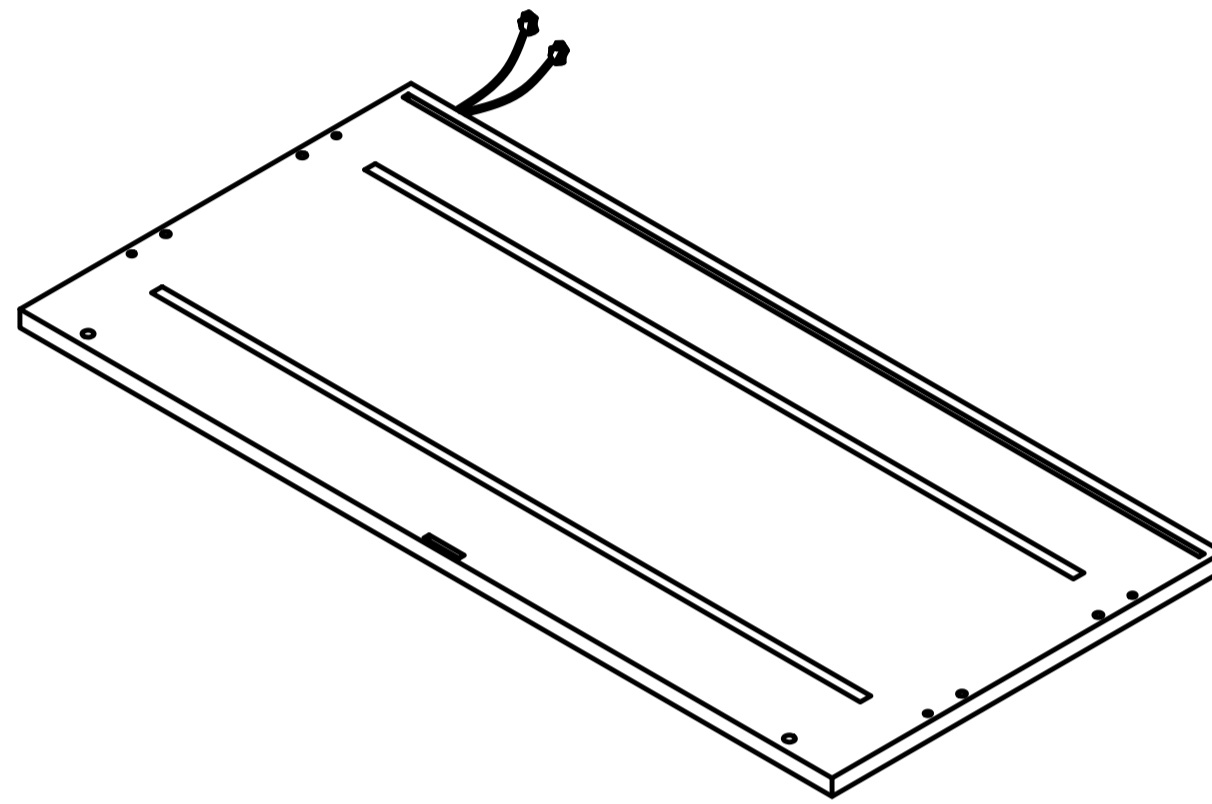
Dx1



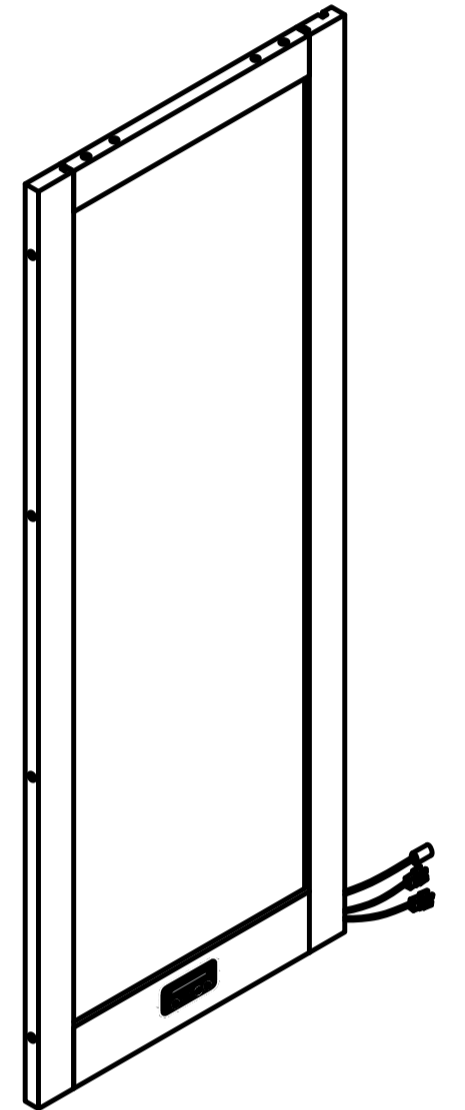
Ex2



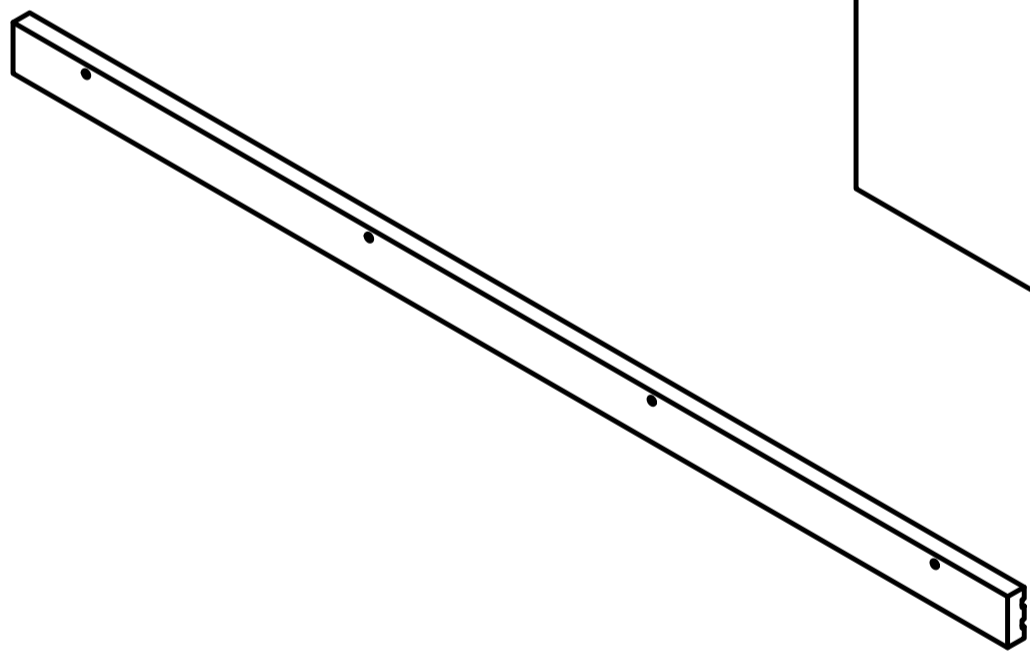
Fx2



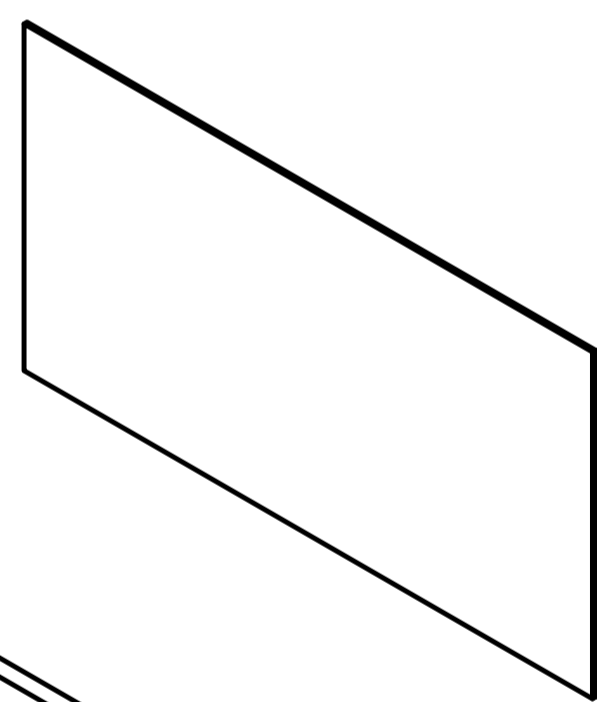
Gx1



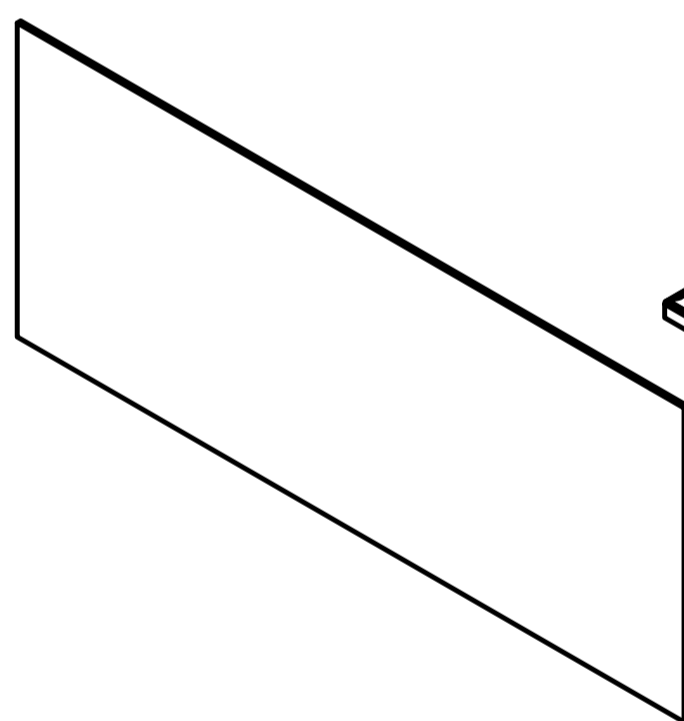
Hx1



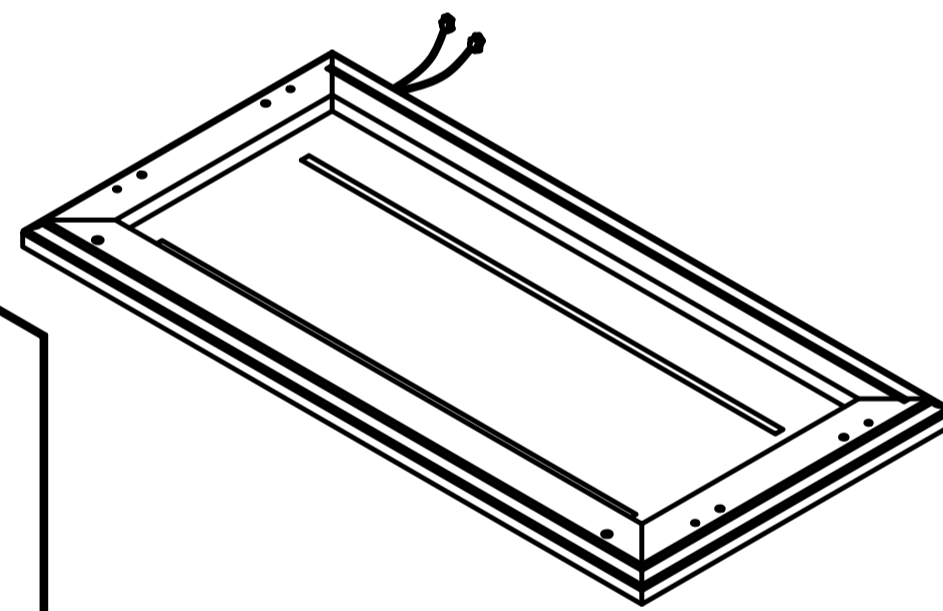
Ix2



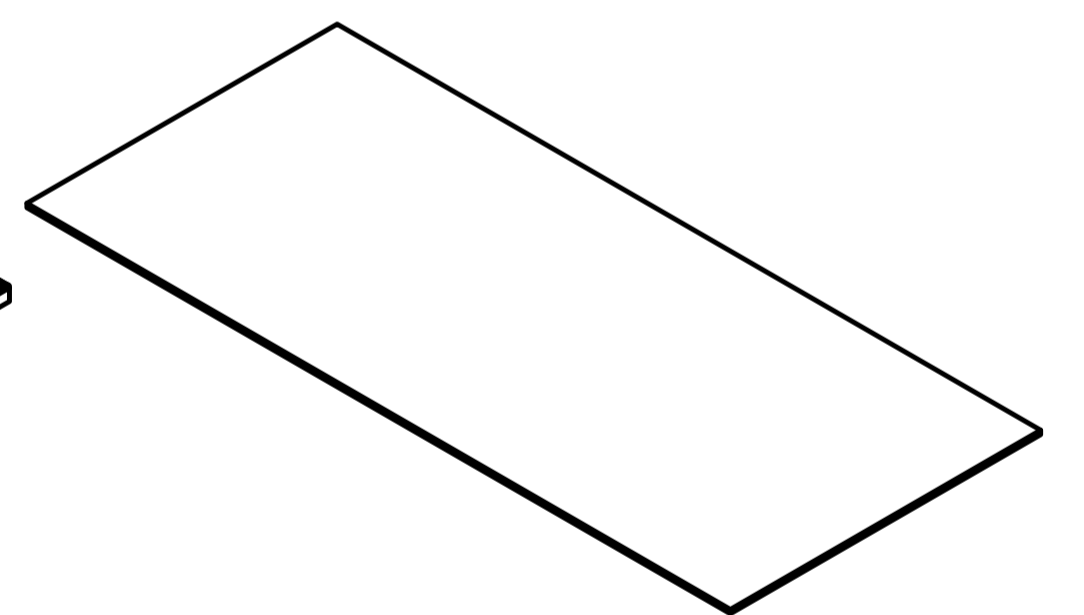
Jx2



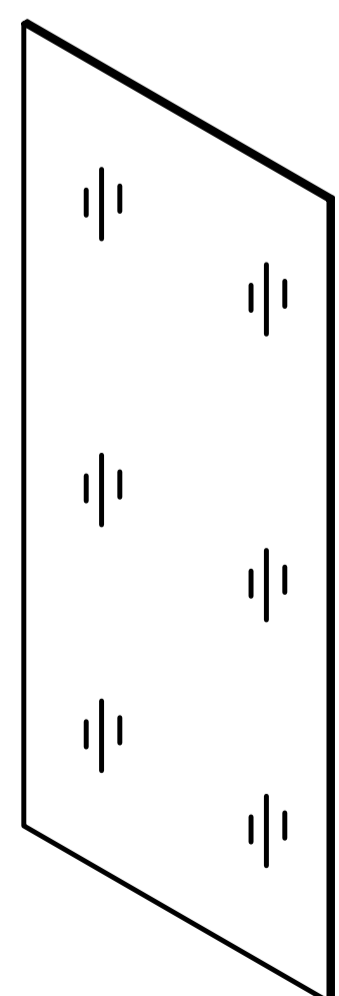
Kx3



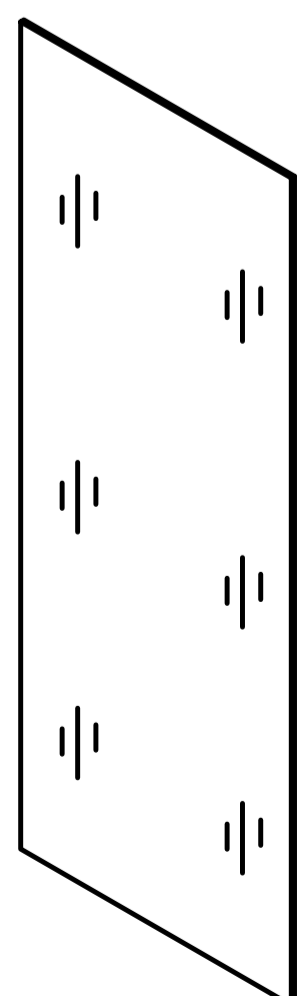
Lx1



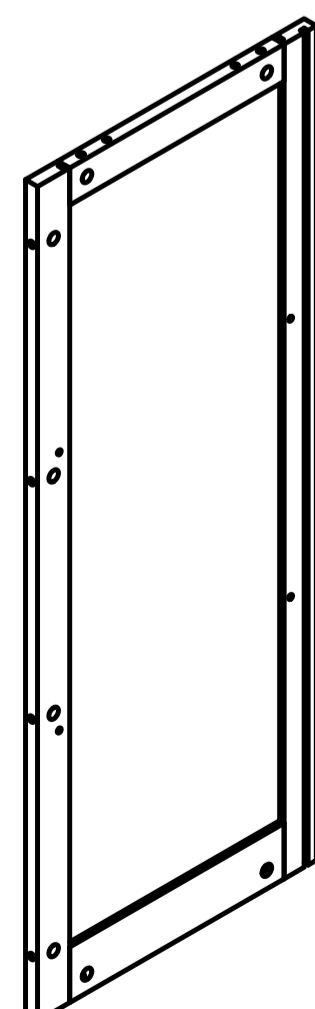
Mx3



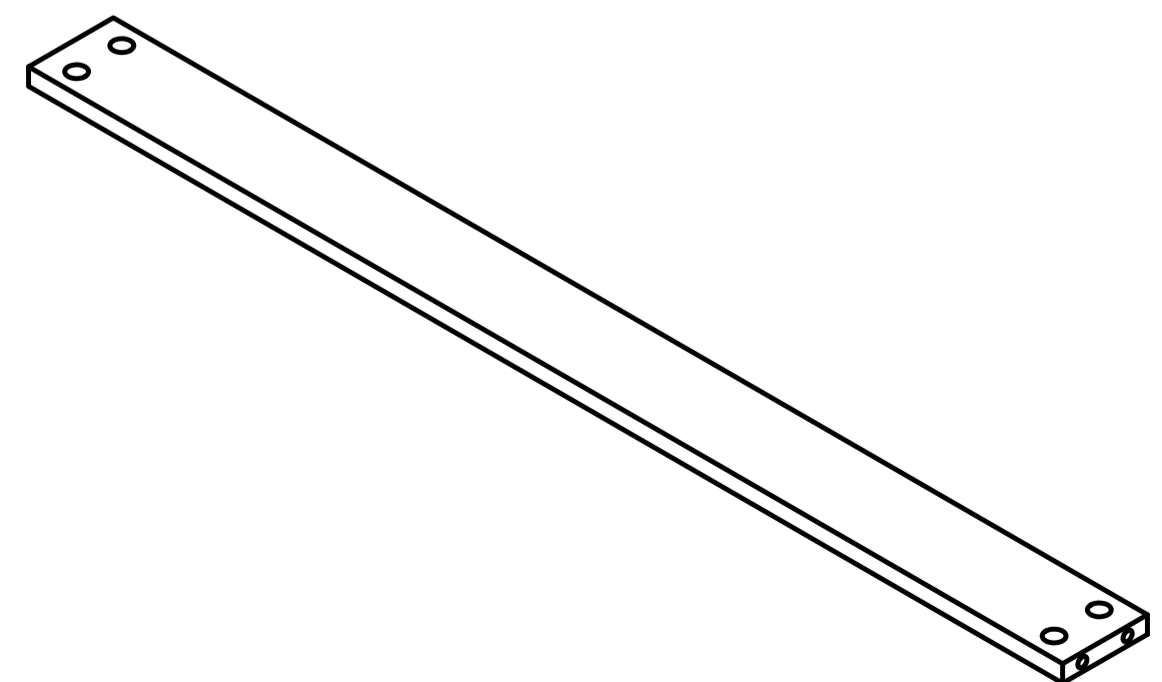
Nx2



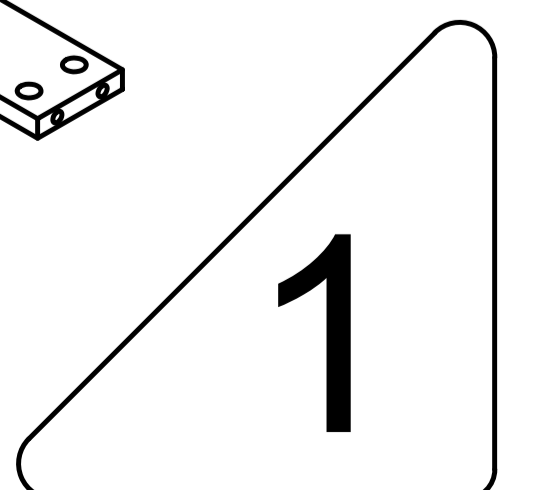
Ox2



Px1

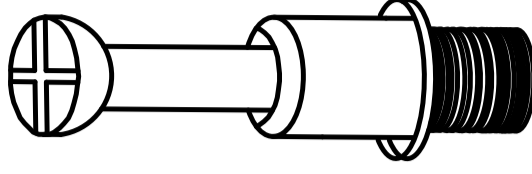
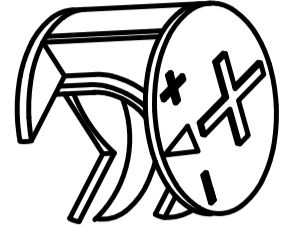


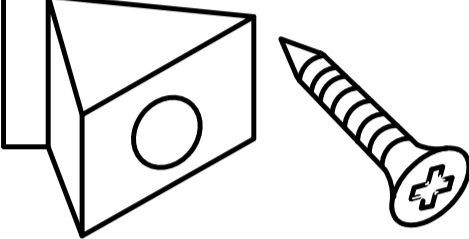
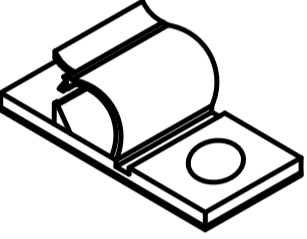
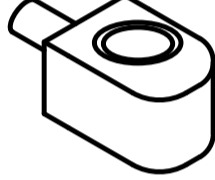
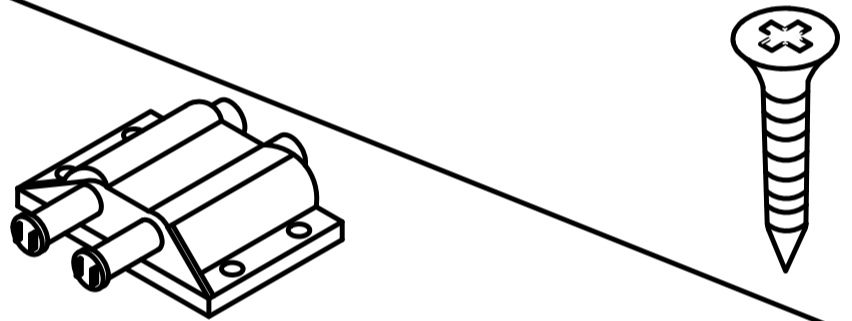
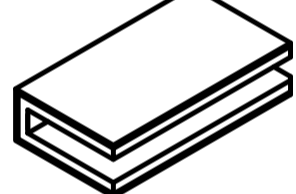
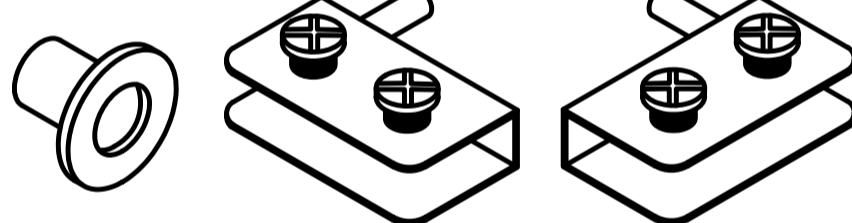
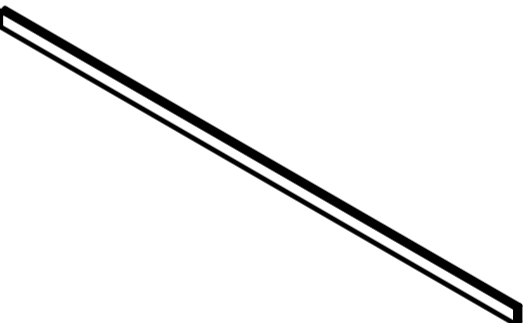
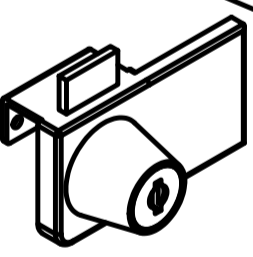

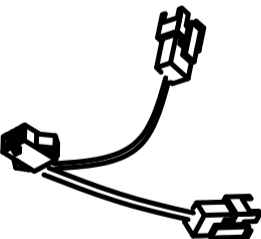
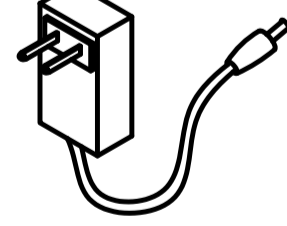
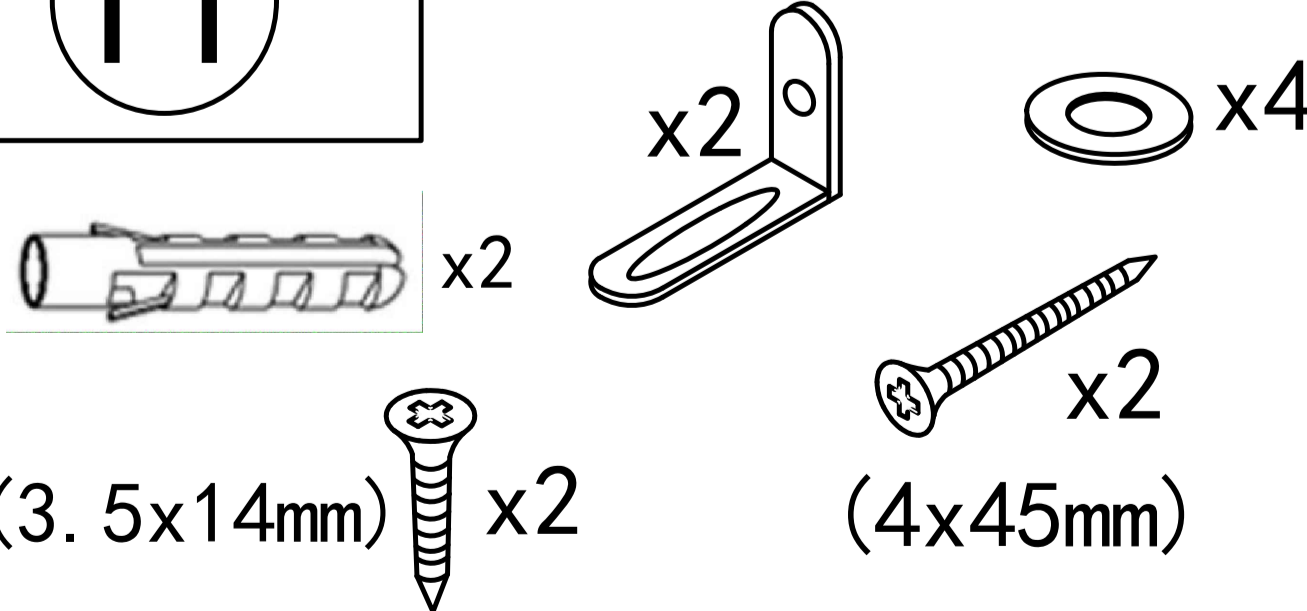
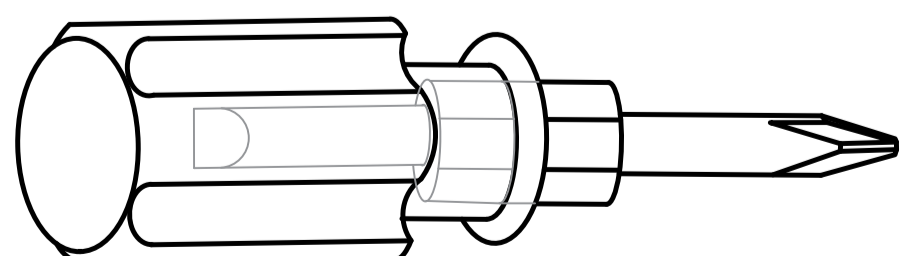


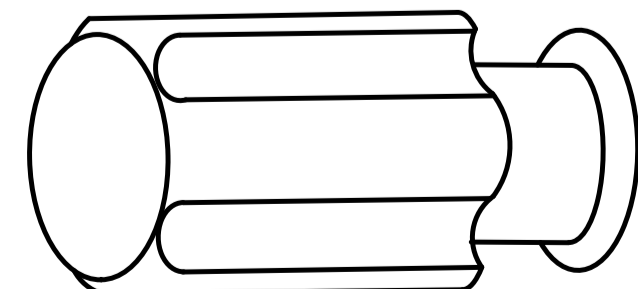
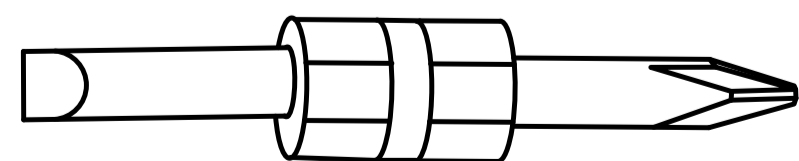
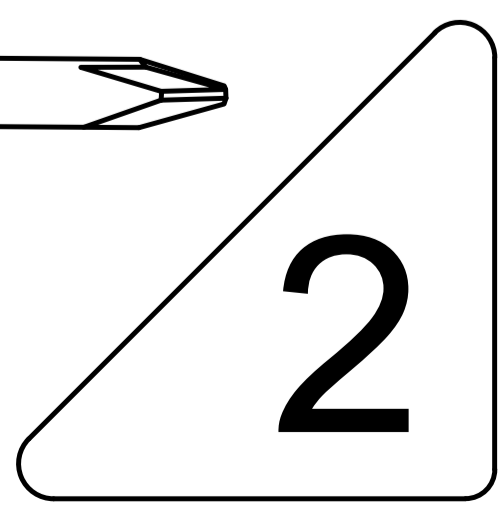


Qx3

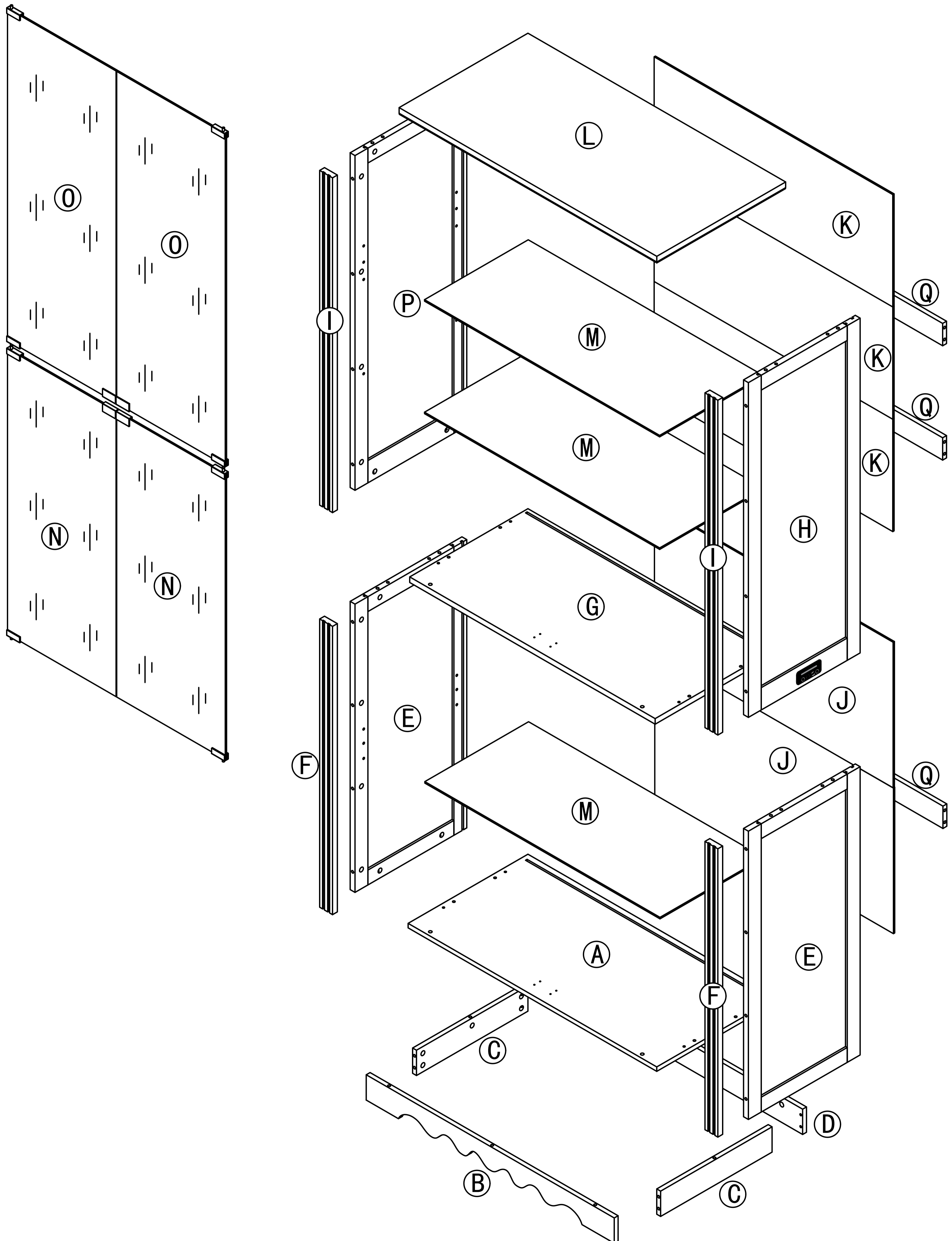


1

Accessories list

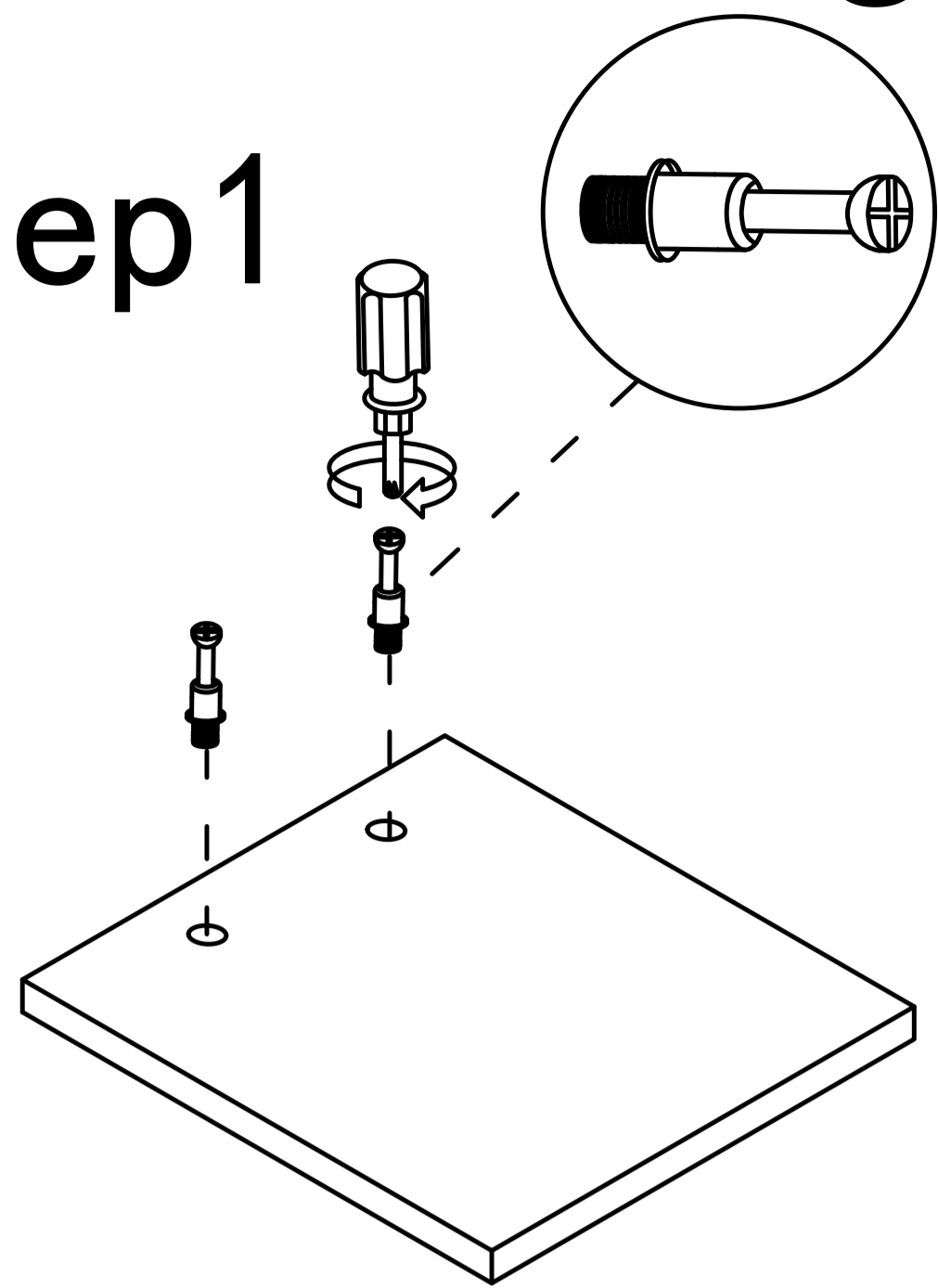
①		Two in one screw (6x28mm)	60pcs +3pcs
②		Two in one nut (10x12mm)	60pcs +3pcs
③		Wood Chipping (6x30mm)	16pcs +4pcs
④		Non-slip pads	6pcs
⑤		Fixing clip & screw (3x16mm)	18pcs +2pcs
⑥		Wire clamp	2pcs +2pcs
⑦		Laminate Support Nail	12pcs +2pcs
⑧		Rebound device & Screw (3x16mm)	8pcs +2pcs 2pcs
		Iron sheet	4cs
⑧		Hinge	8pcs 4cs 4cs
		Backboard card strip	3pcs
⑩		Double door glass lock	2pcs
⑩		Key	1pcs
⑫		Forked line	2pcs
⑪		AC/DC Adapter (12V=3.0A)	1pcs
	<p>Anti Fall Hardware</p>  <p>x2 x4 x2 x2 (3.5x14mm) (4x45mm)</p>	<p>Double-head screwdriver, use as required</p>  <p>1pcs</p>      <p>2</p>	

Product structure decomposition

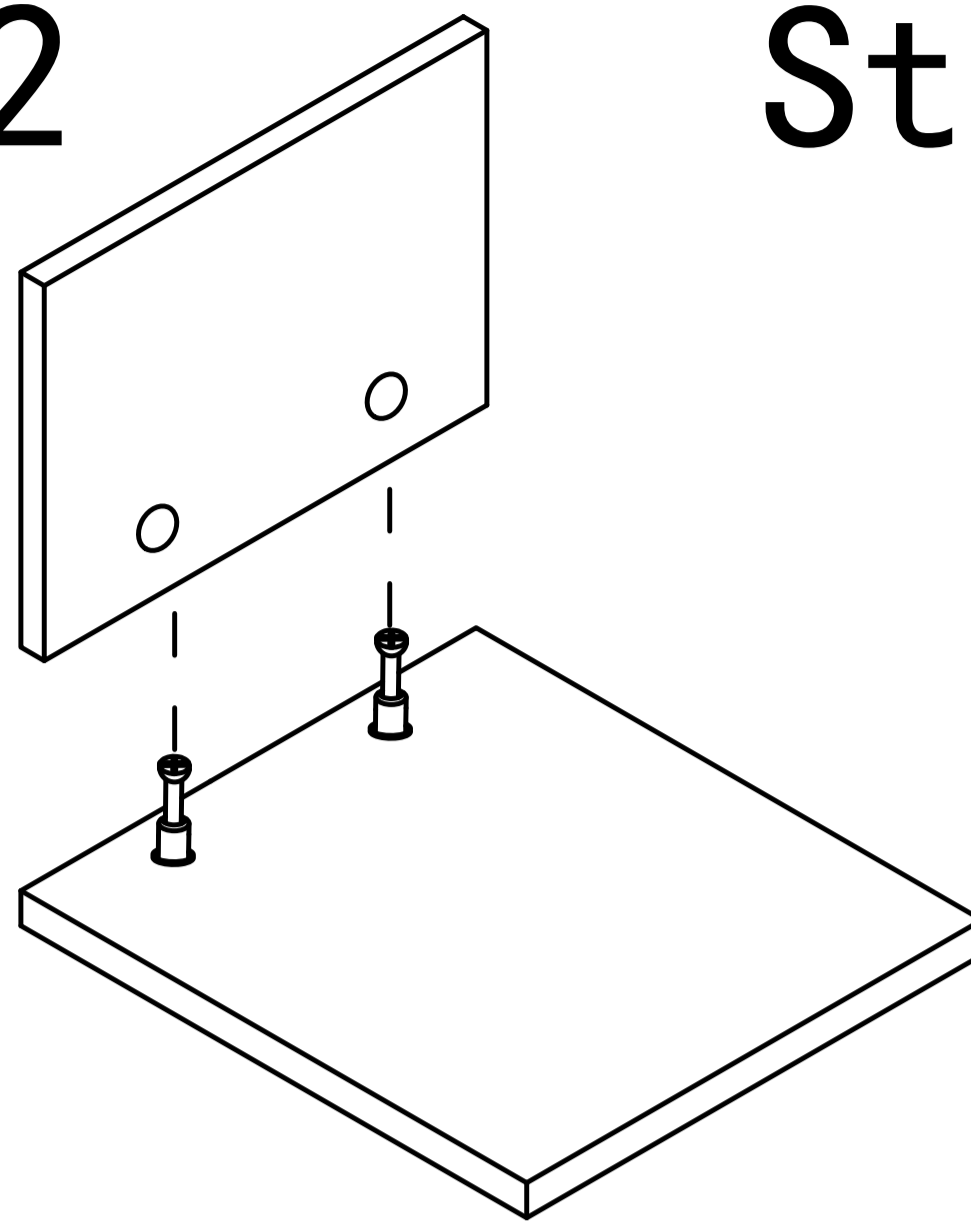


Use parts ① and ②

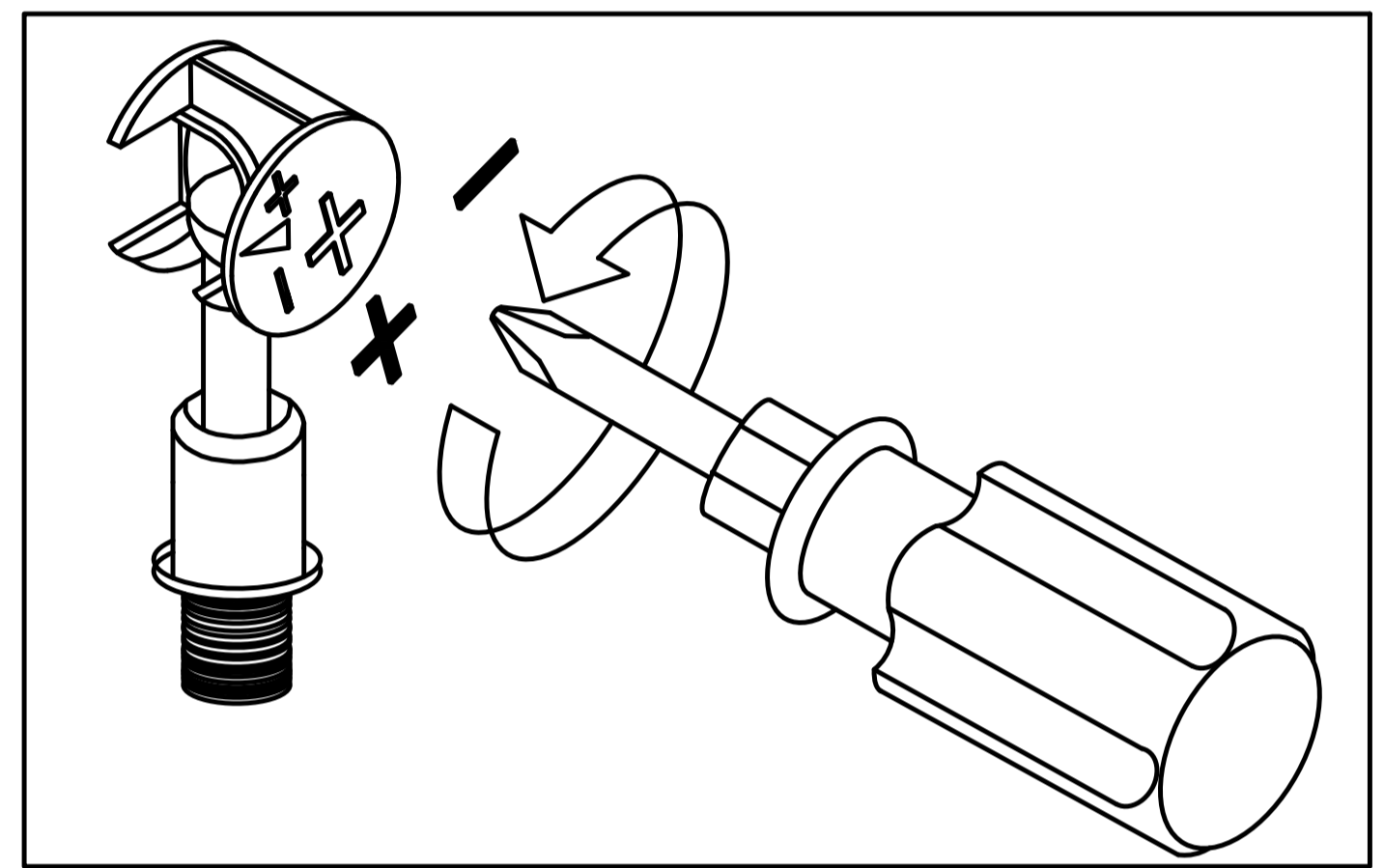
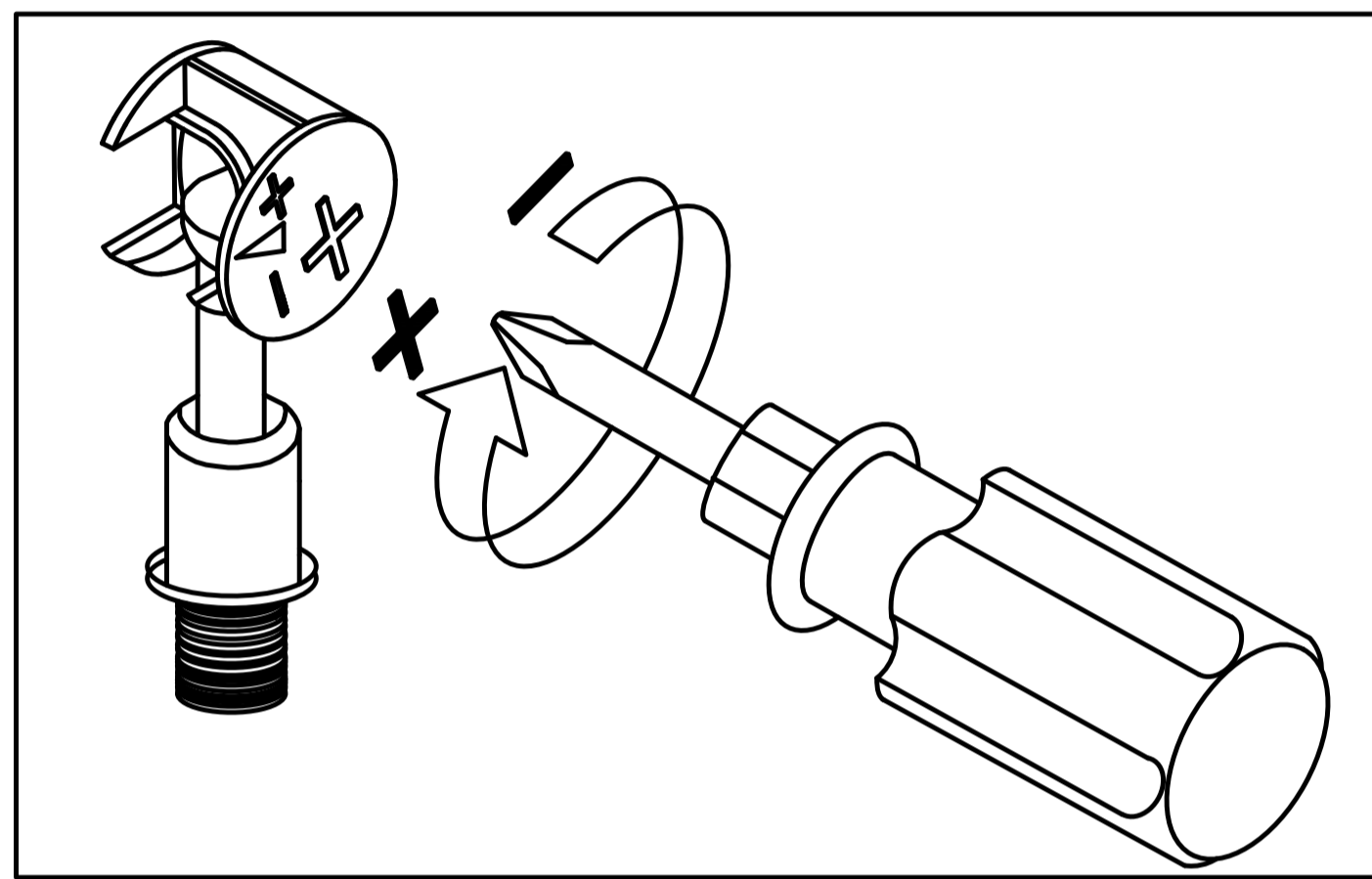
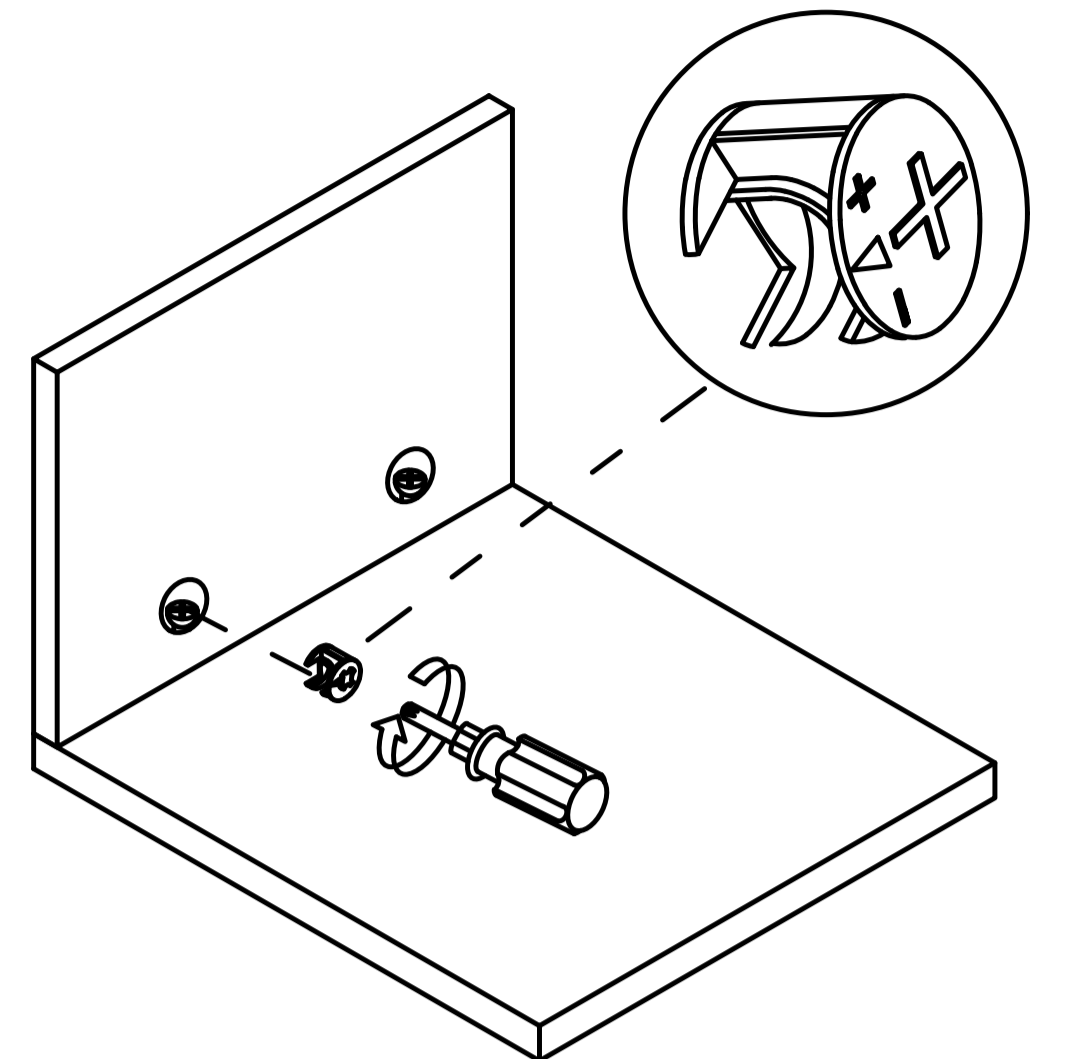
Step 1



Step 2



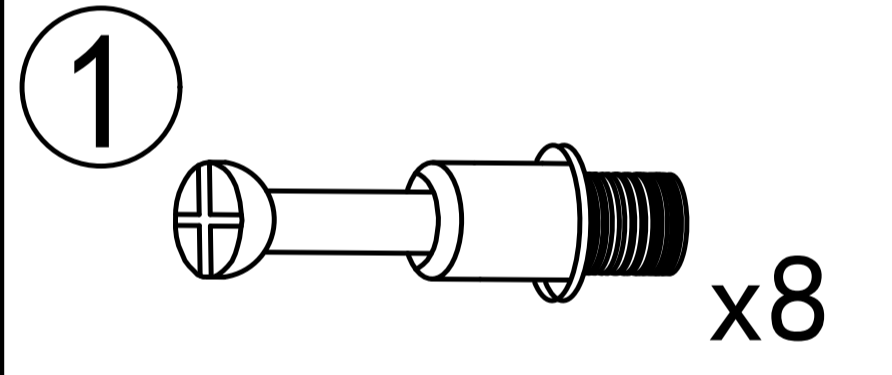
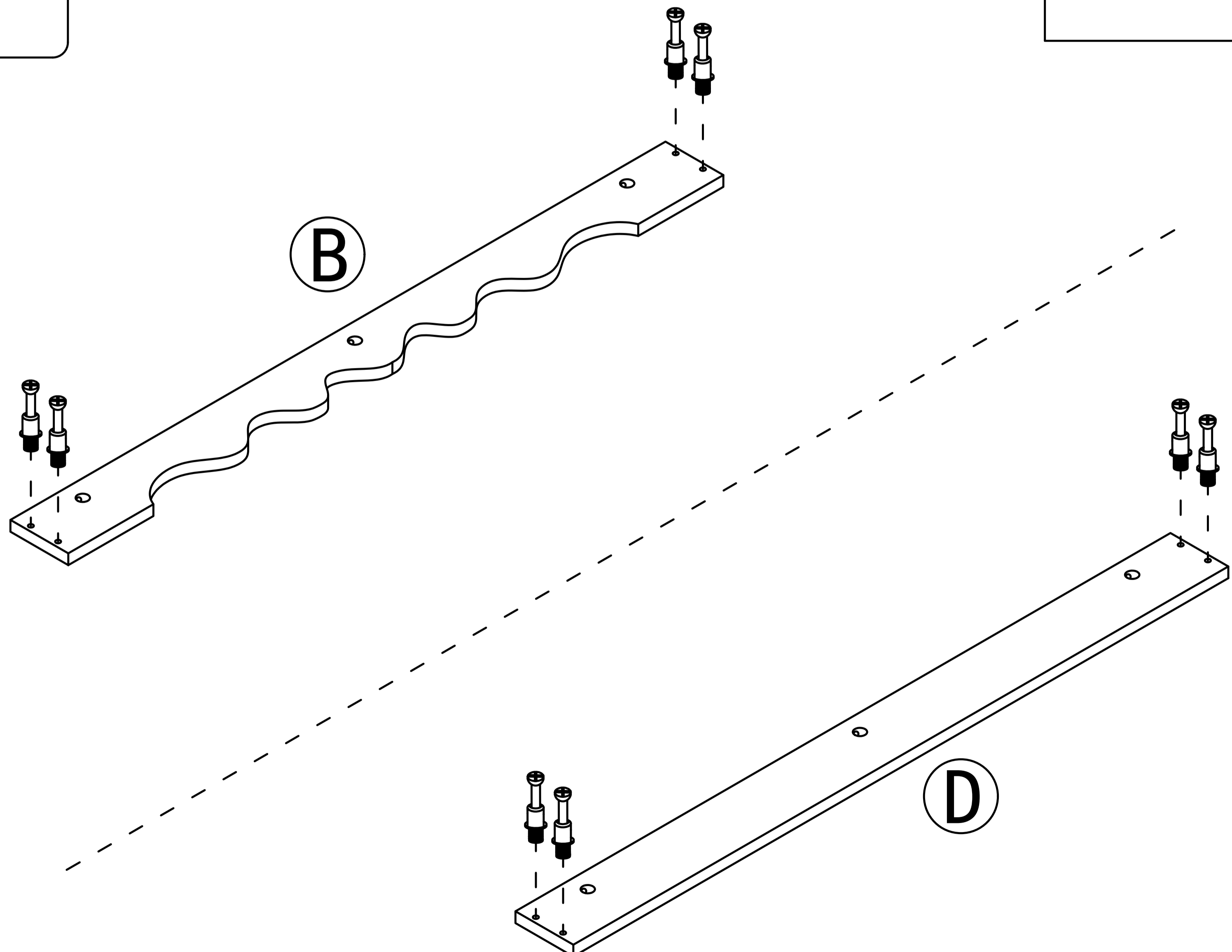
Step 3



Use a screwdriver to lock in the direction of the "+" sign

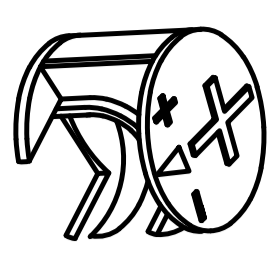
Disassemble along the direction of "-" sign

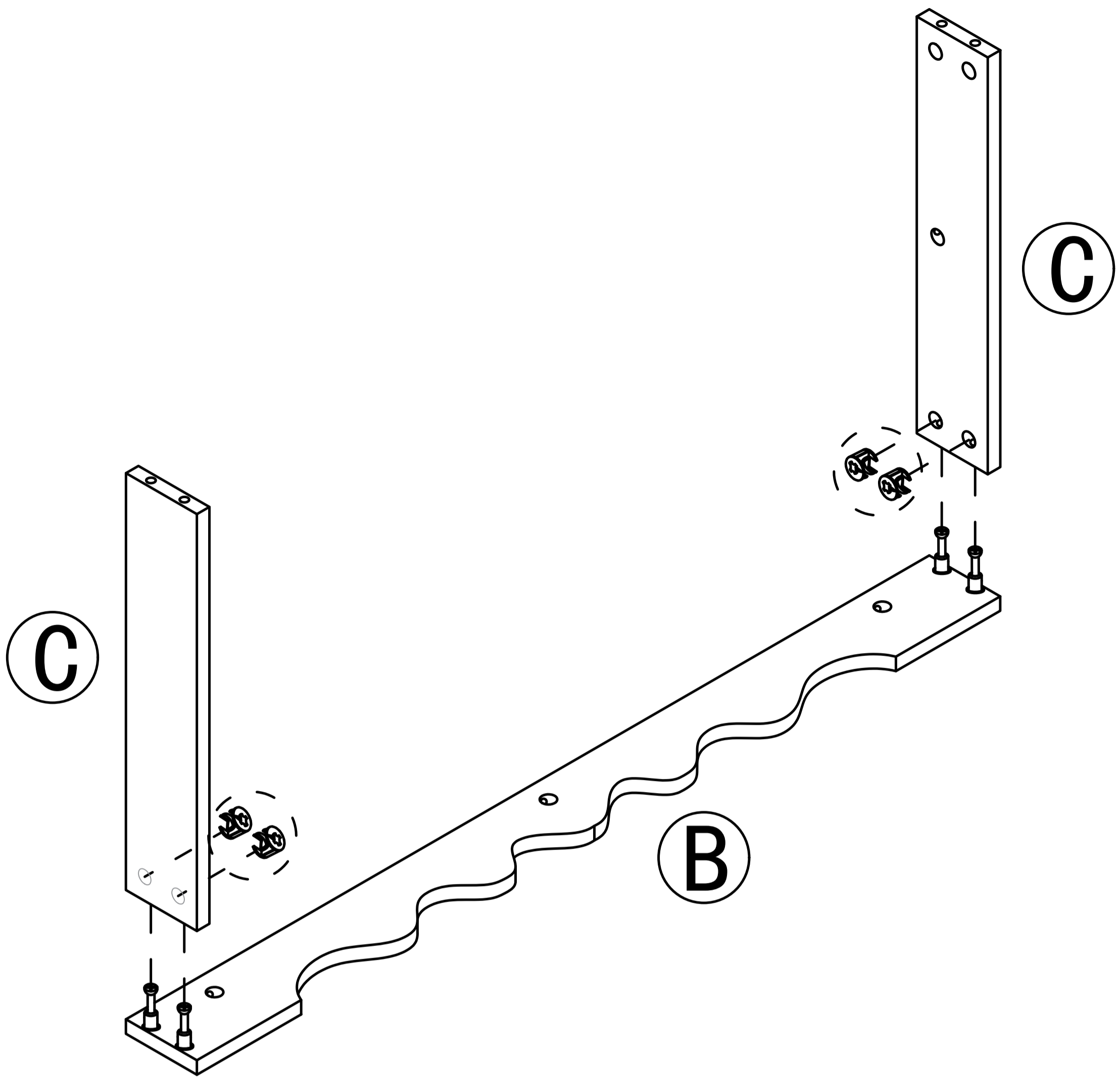
Step 1



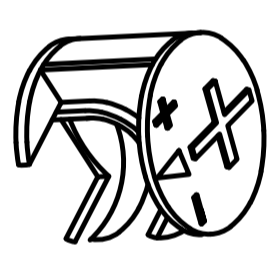
4

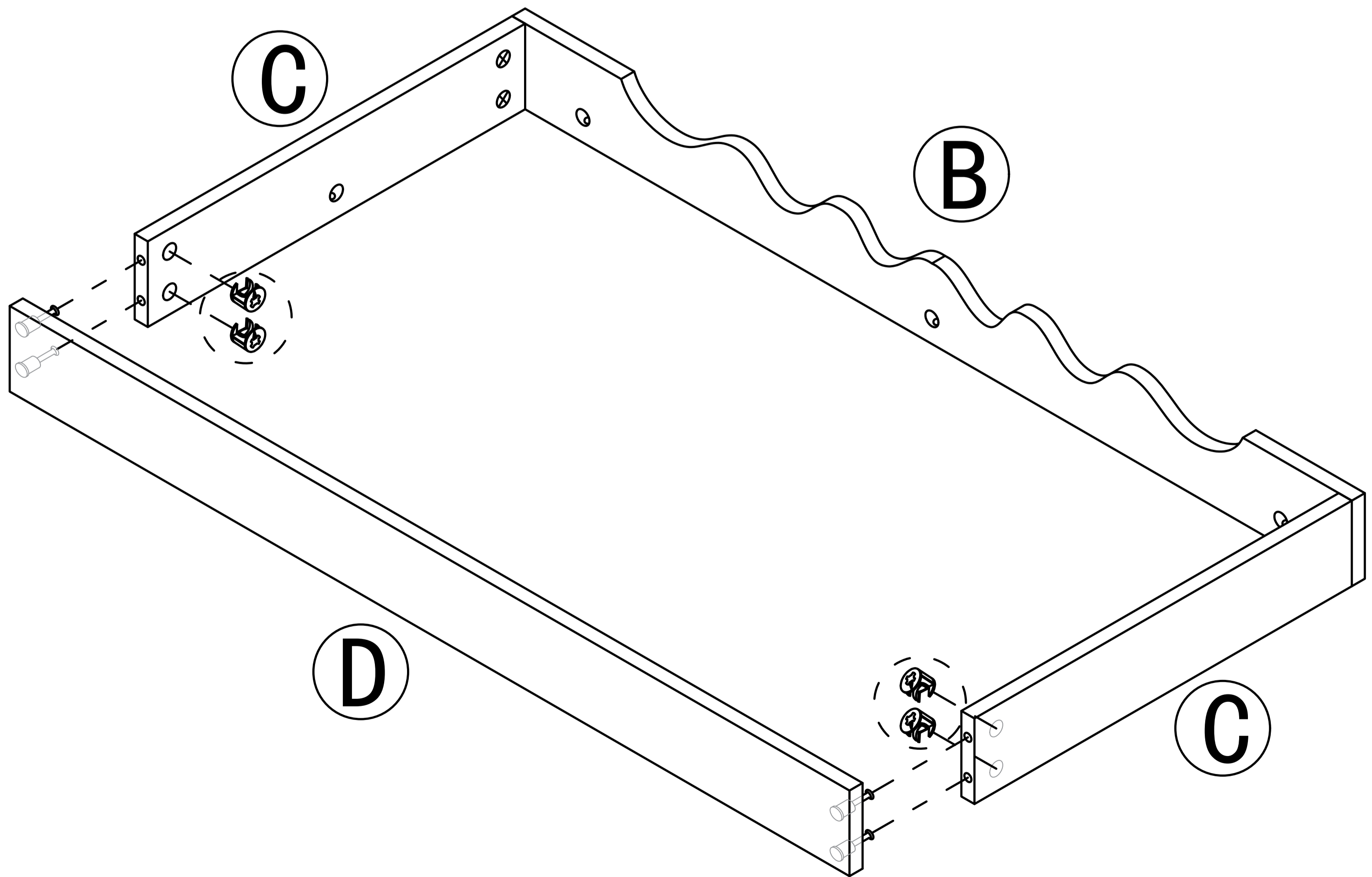
Step 2

2  x4



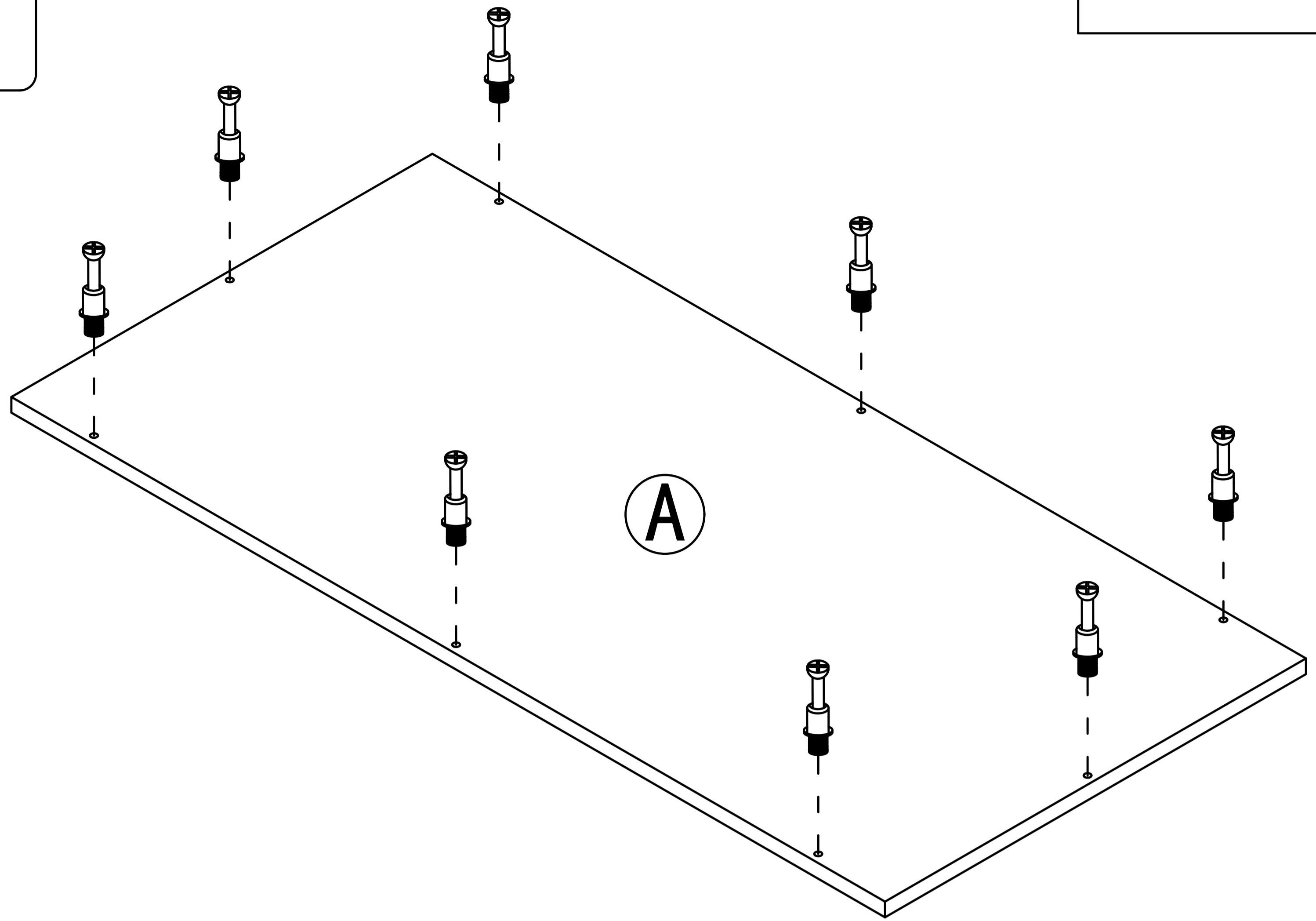
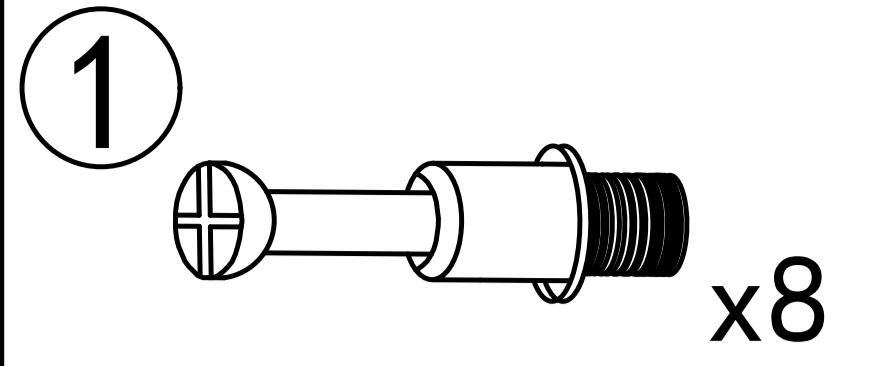
Step 3

2  x4

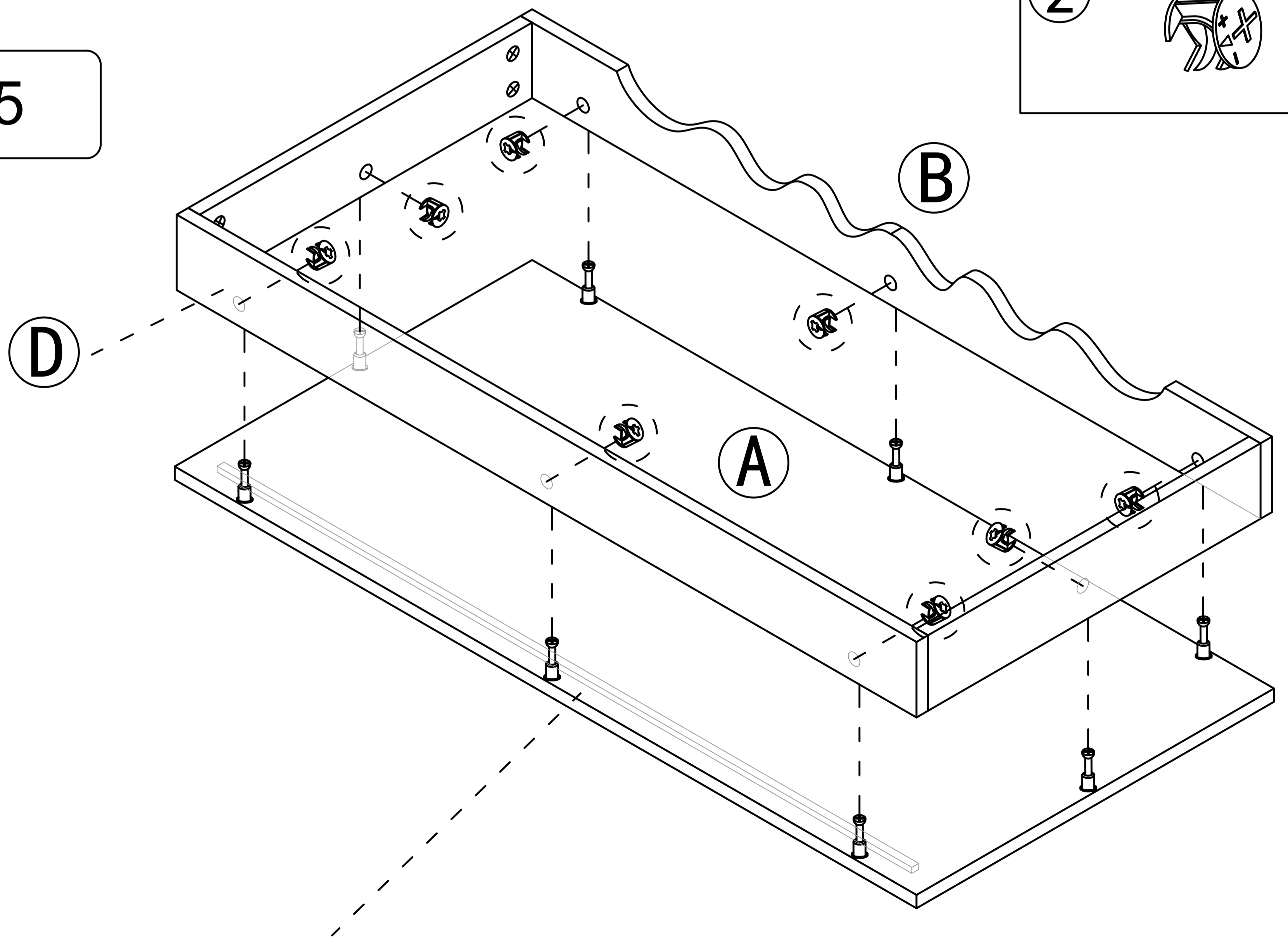
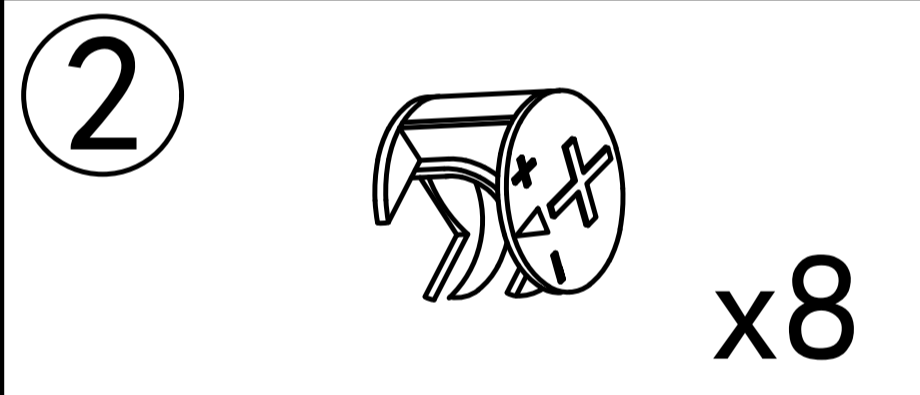


5

Step 4

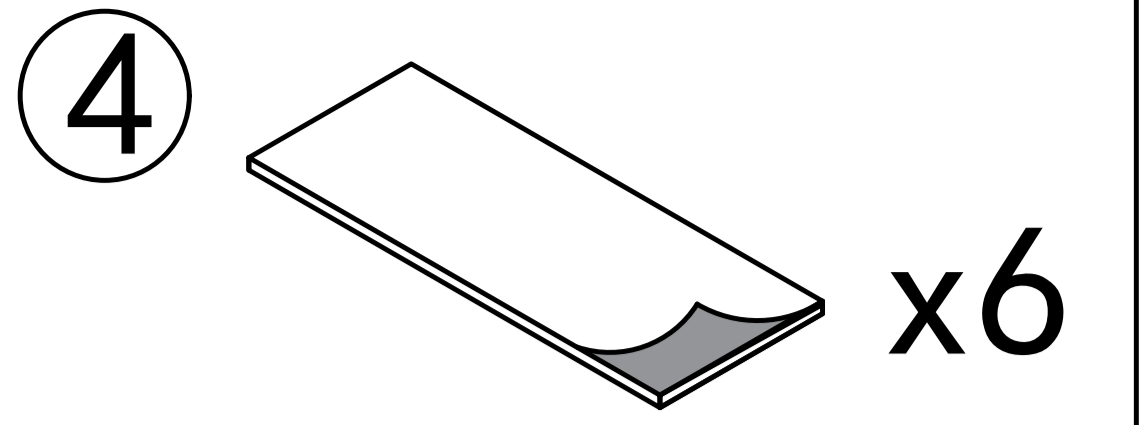


Step 5

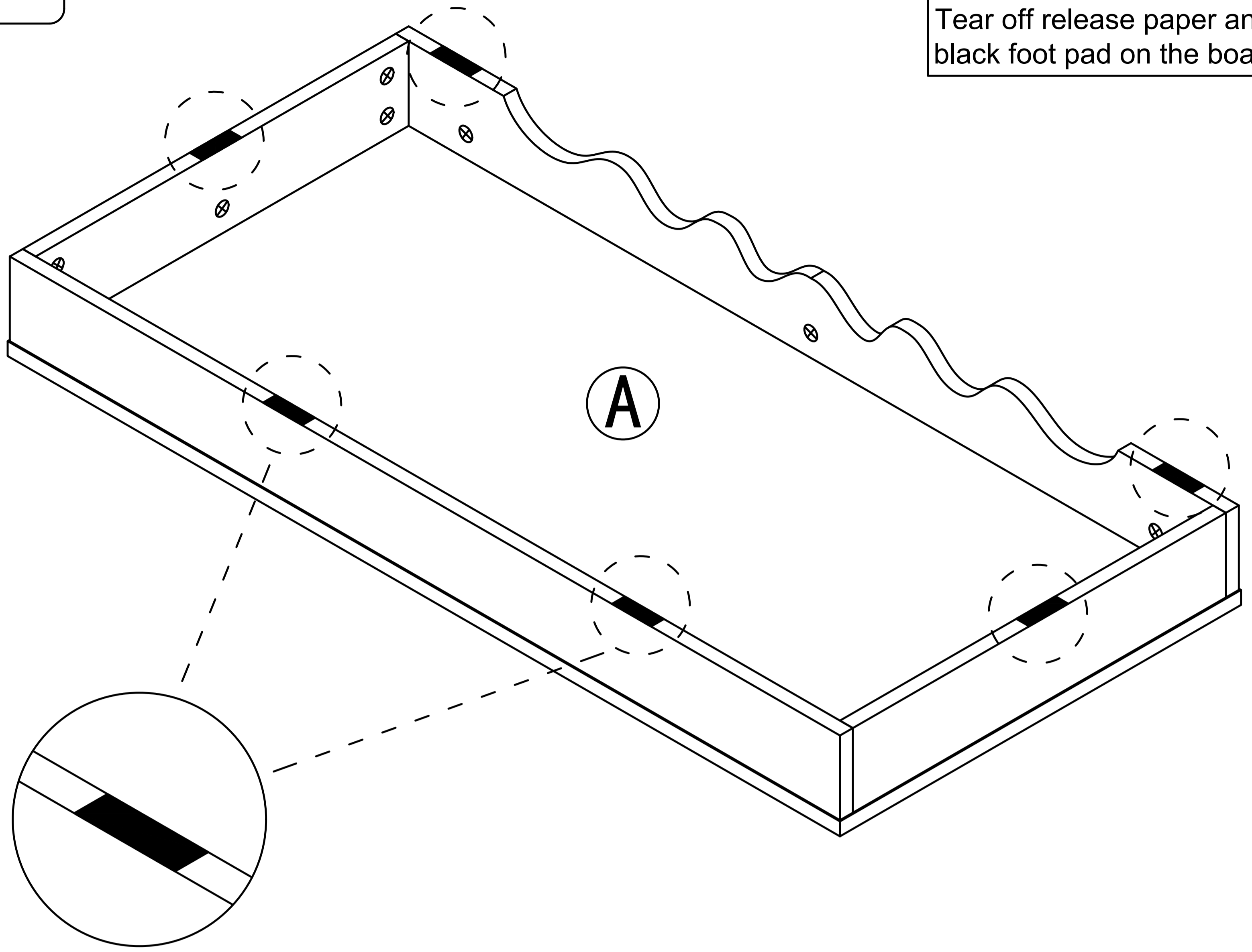


Attention: There is a groove behind the D board in the position where the D board is installed

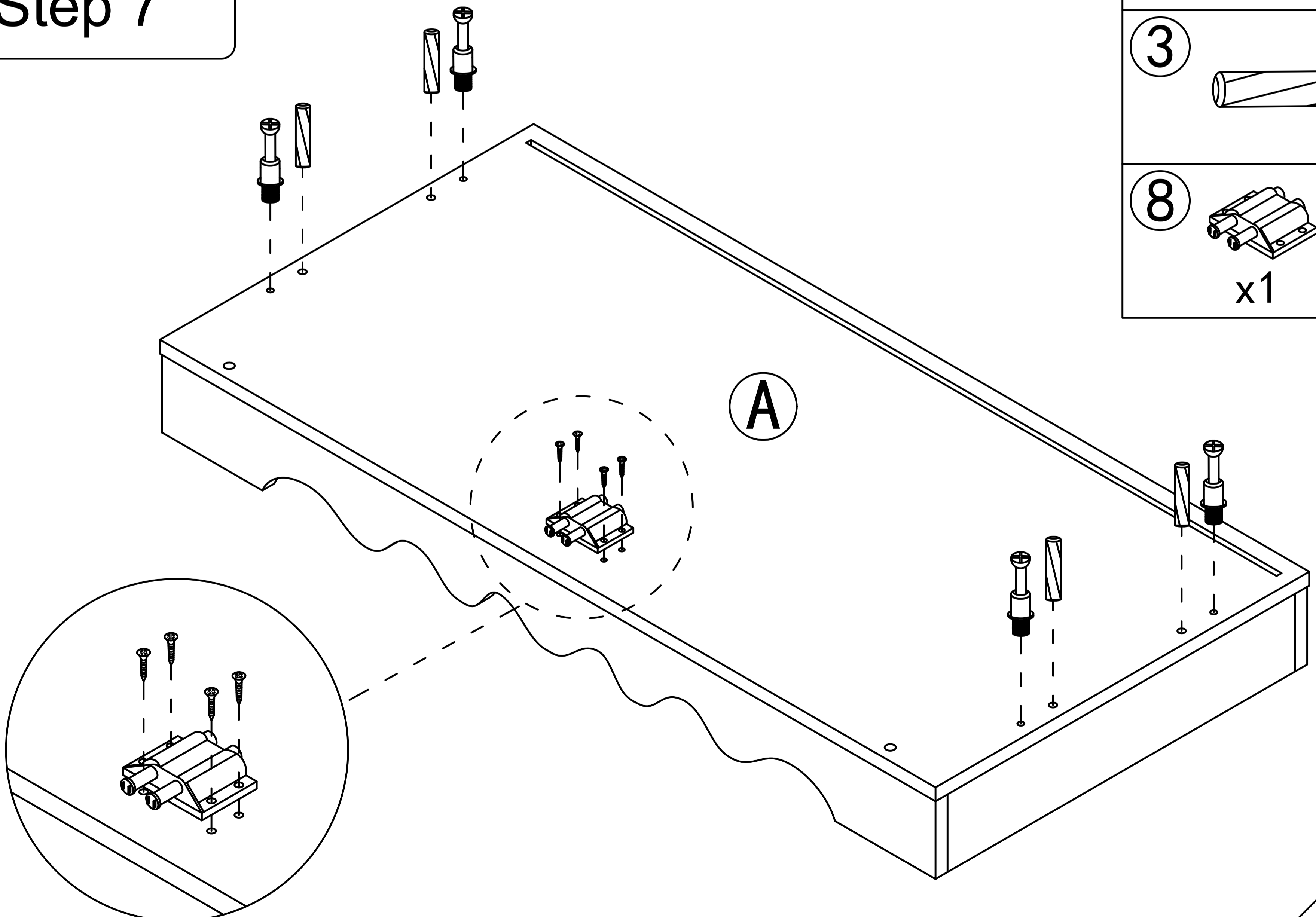
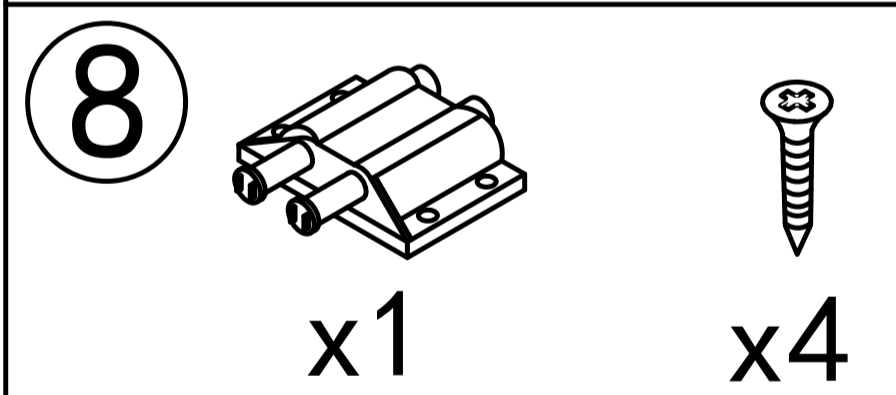
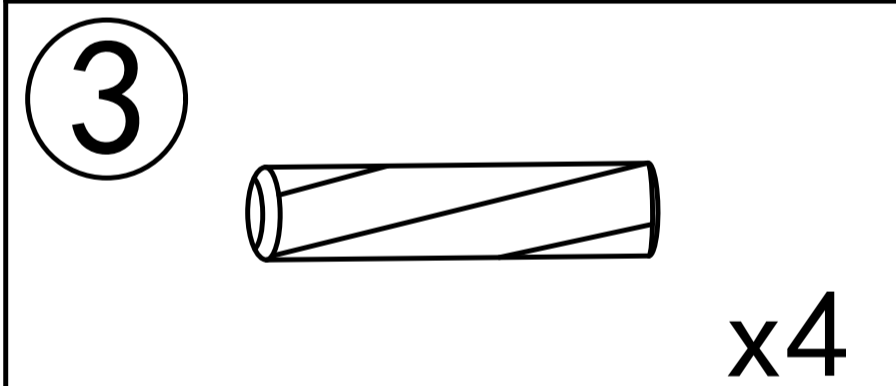
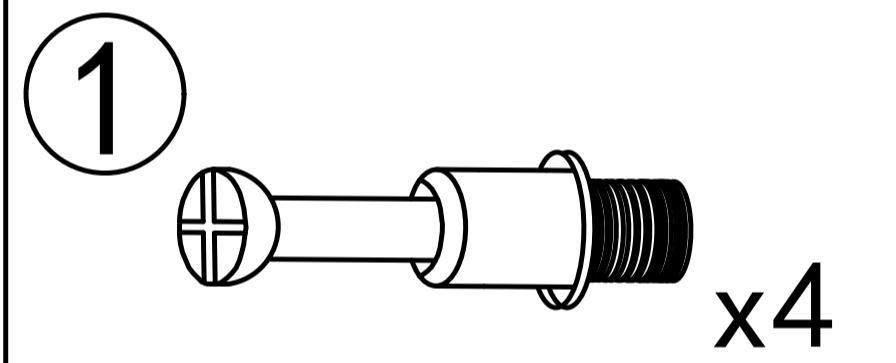
Step 6



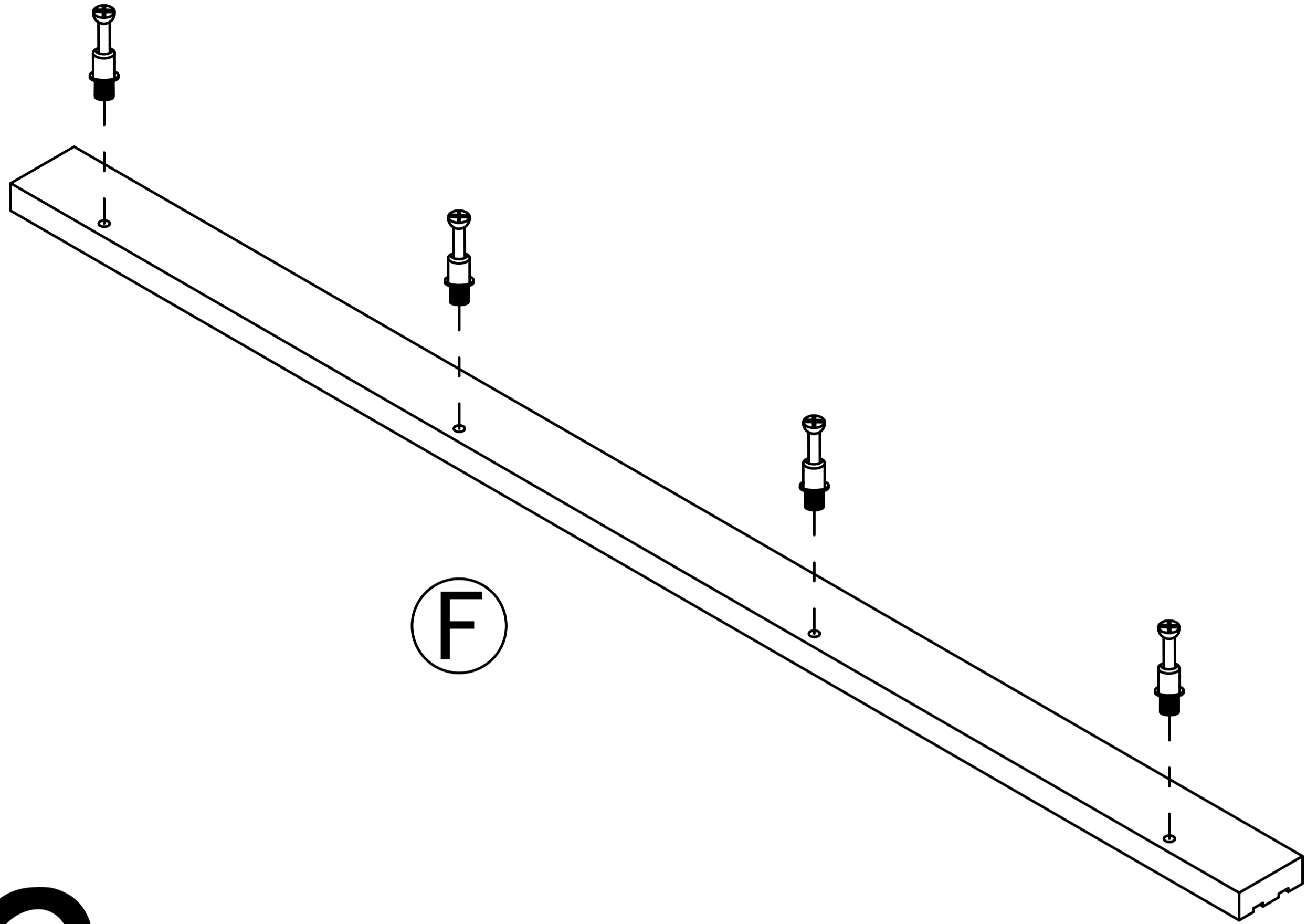
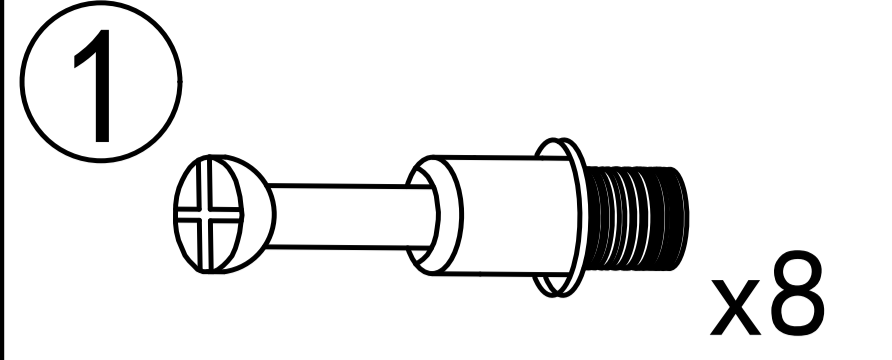
Tear off release paper and stick the black foot pad on the board



Step 7

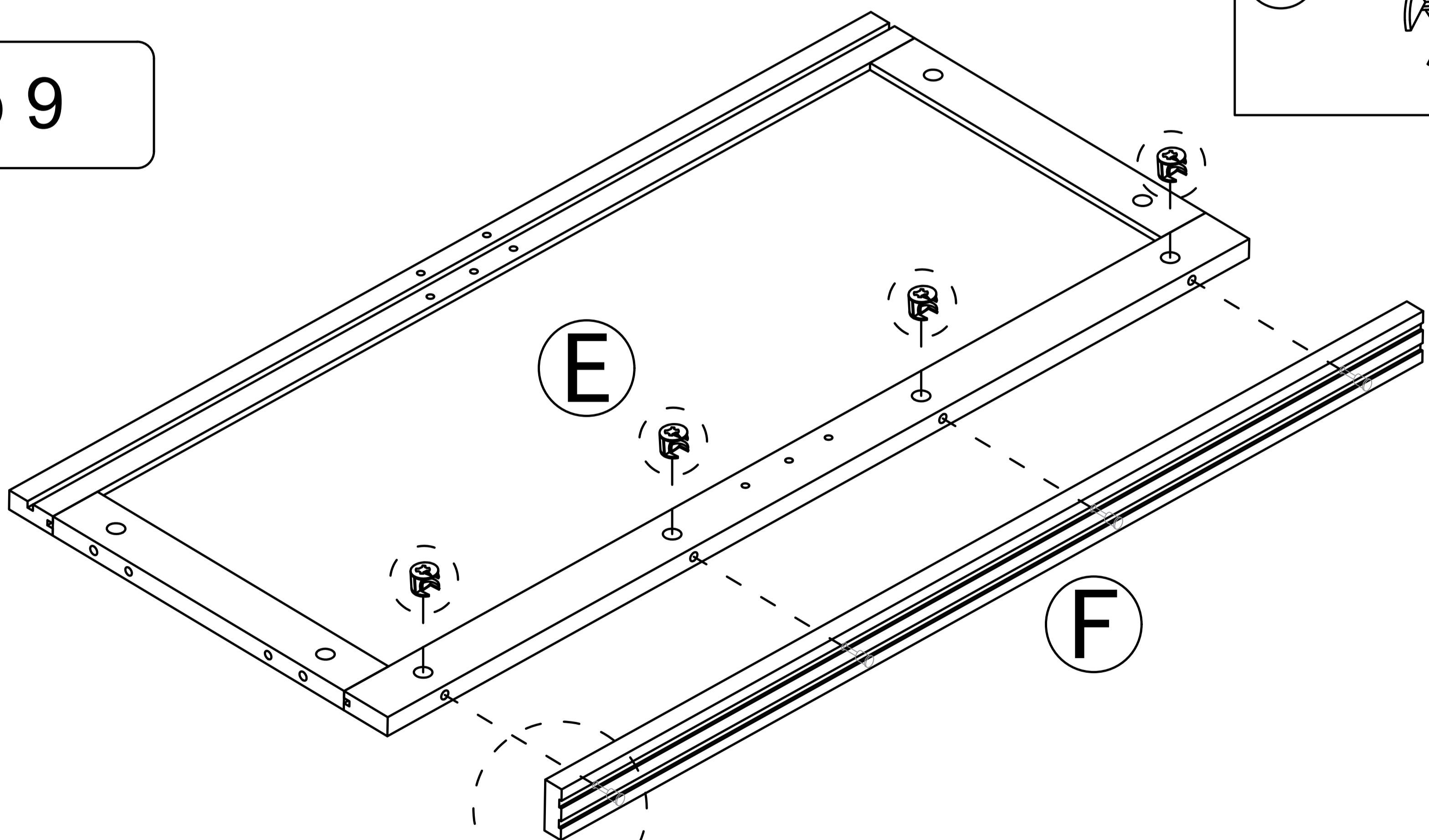
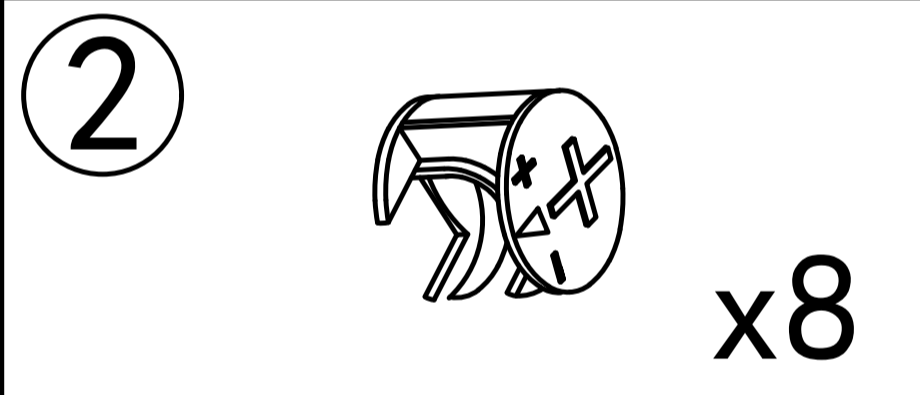


Step 8



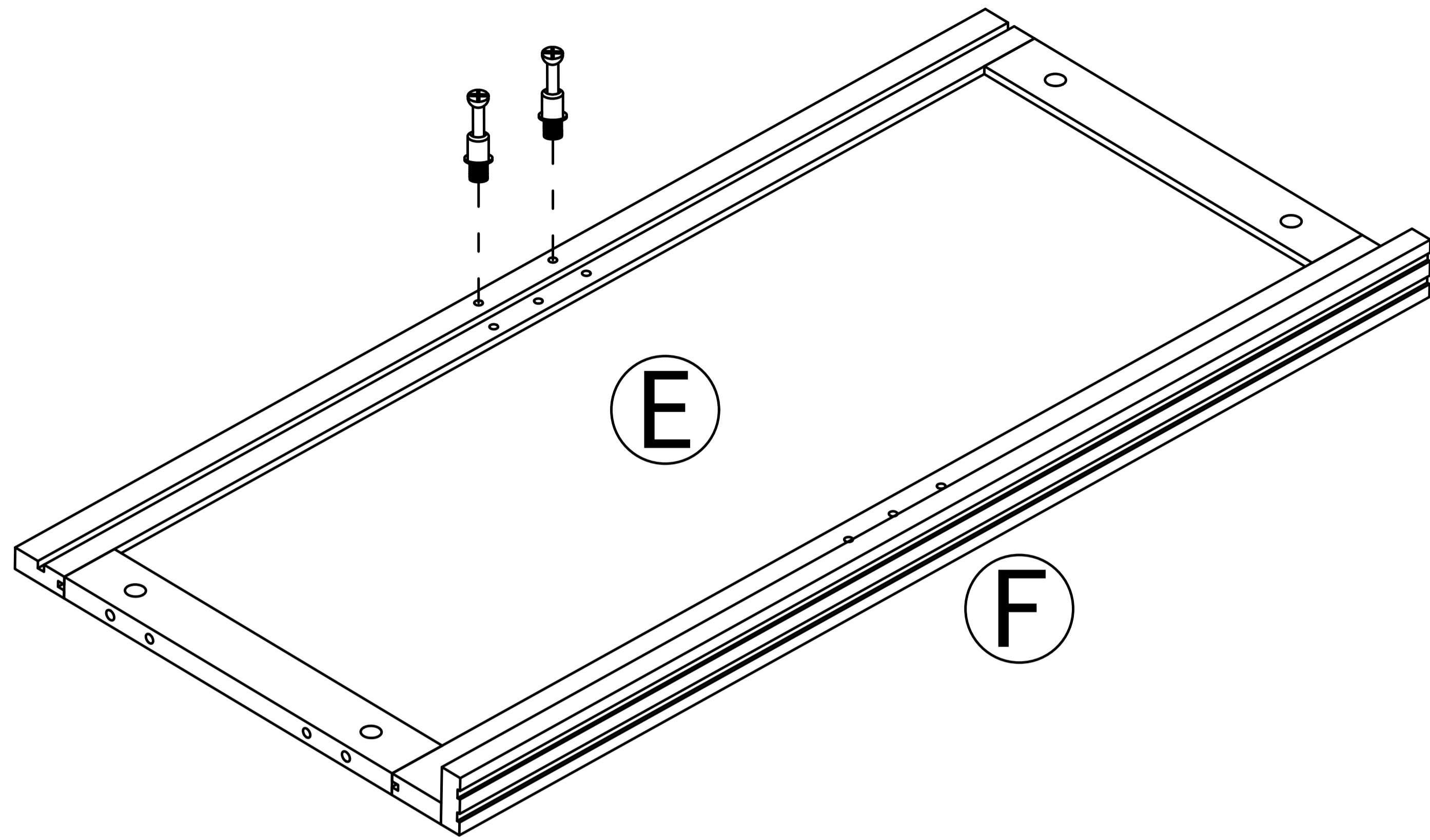
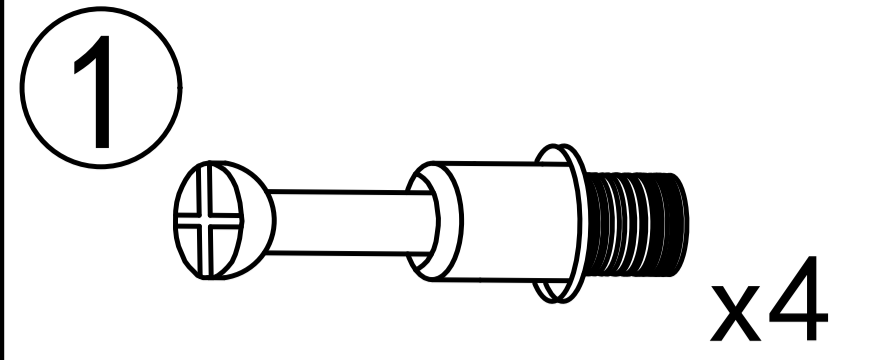
F x2

Step 9



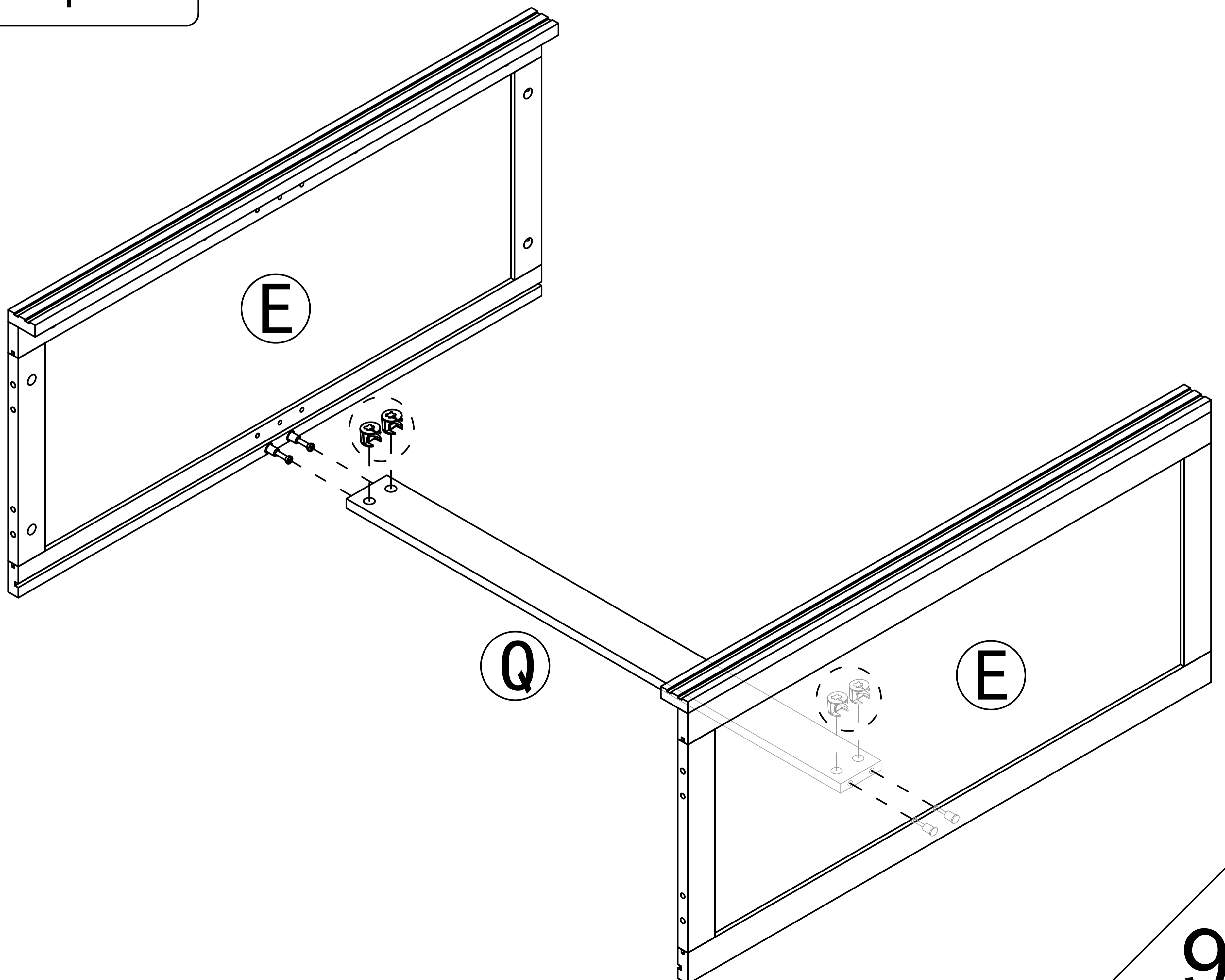
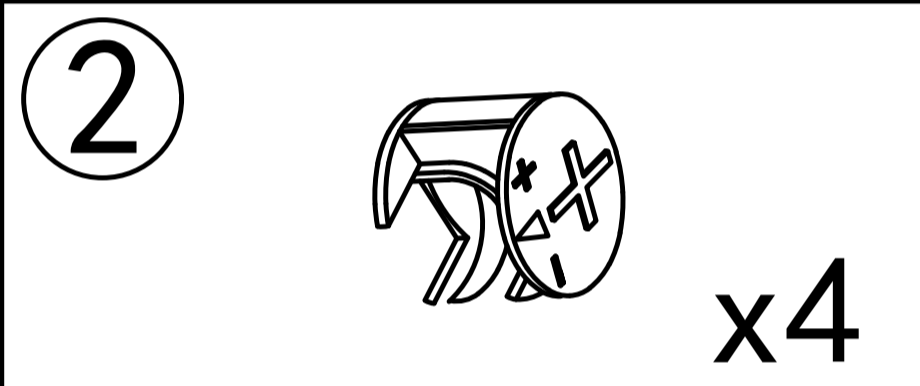
E x2

Step 10



x2

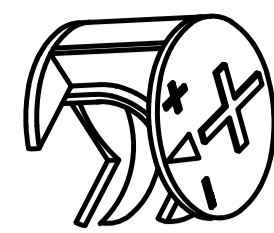
Step 11



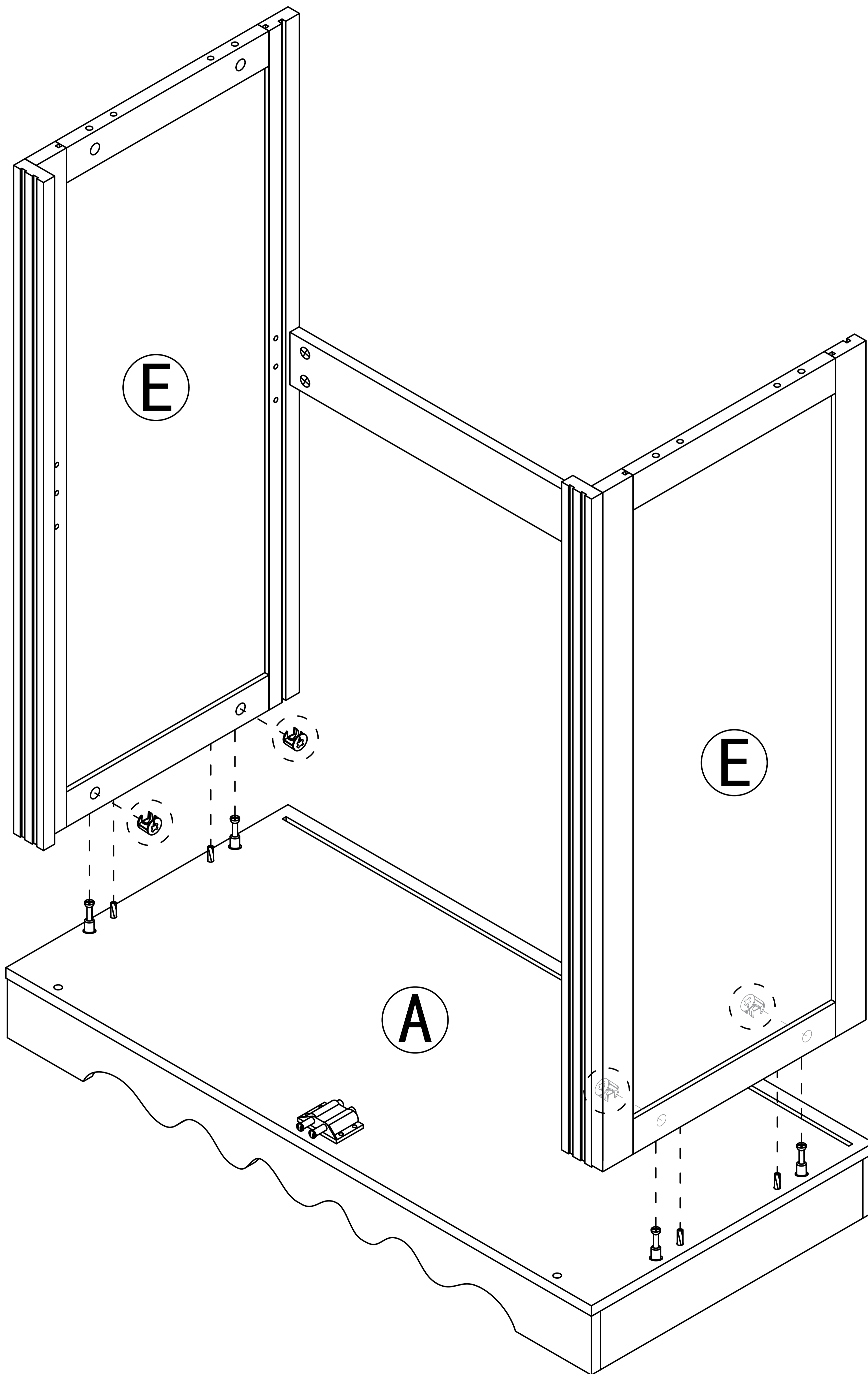
9

Step 12

2


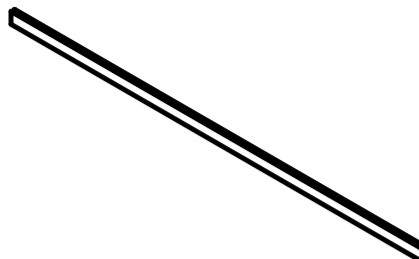


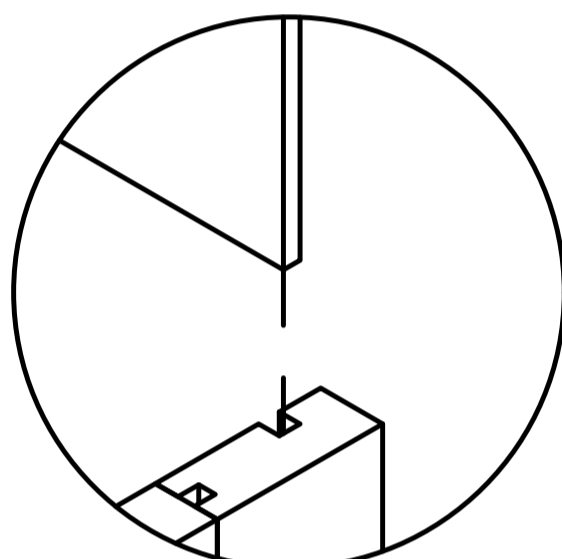
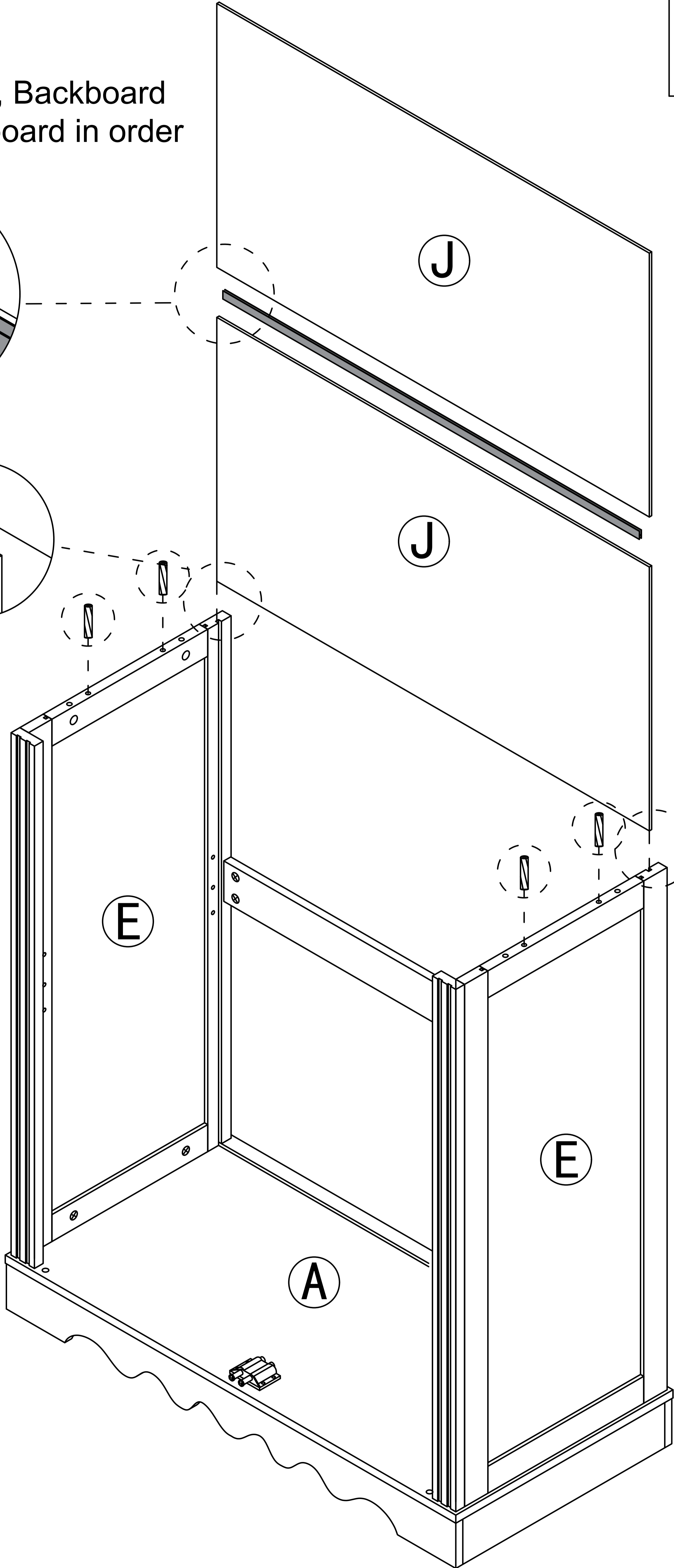
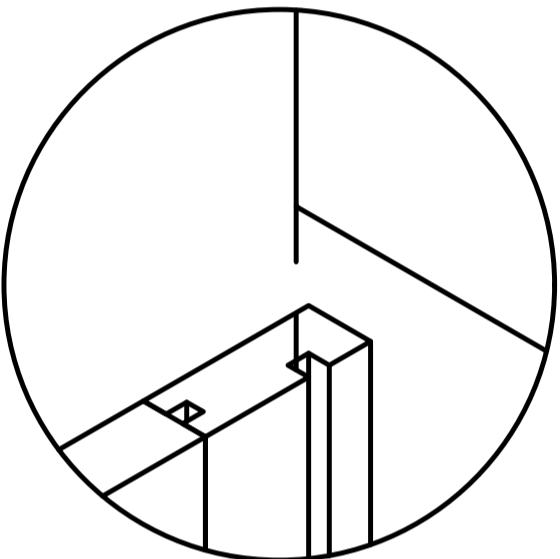
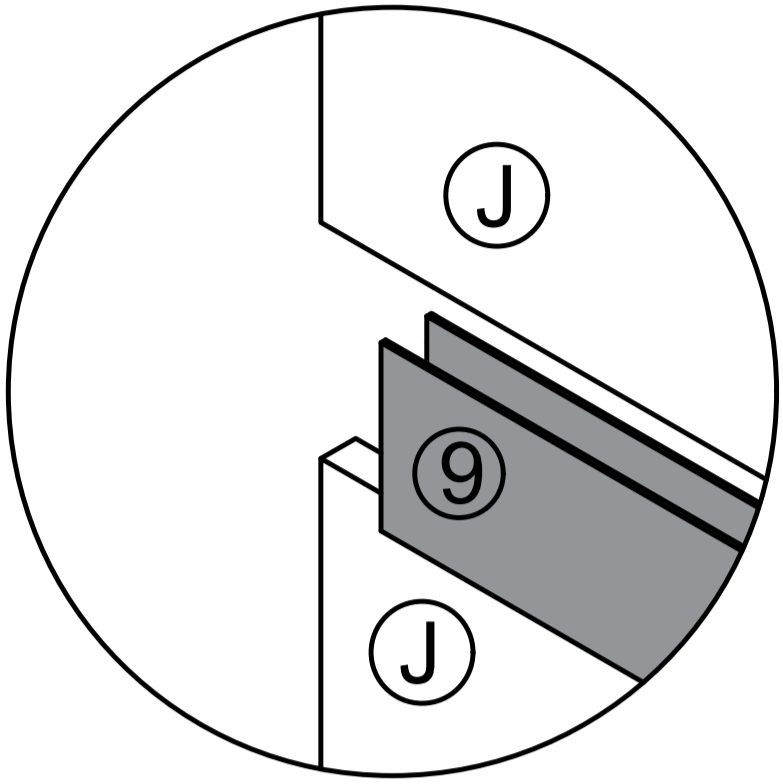
x4



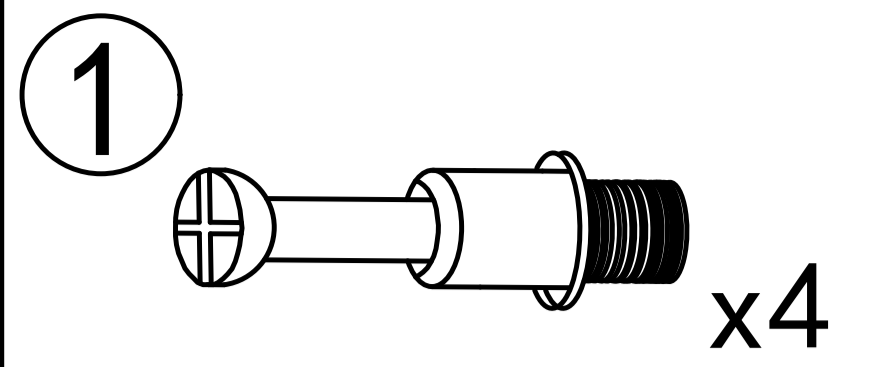
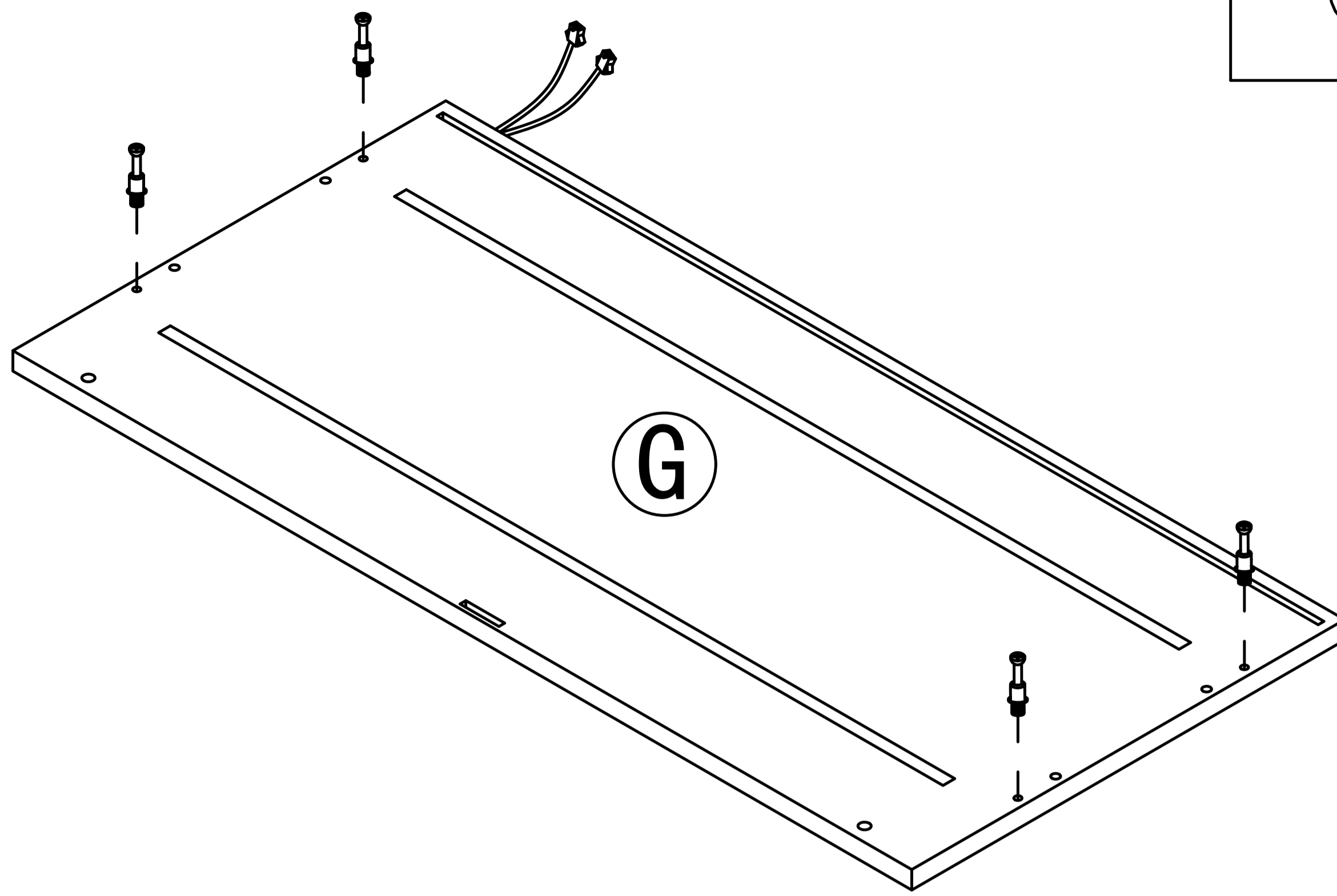
Step 13

Place the "J" board, Backboard card strip, and "J" board in order

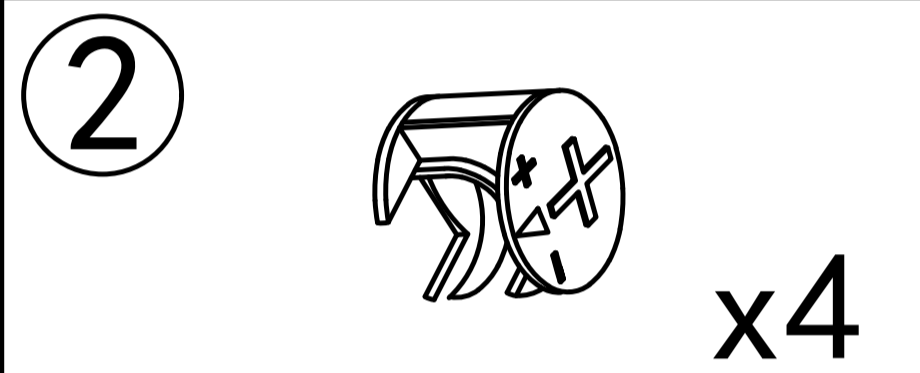
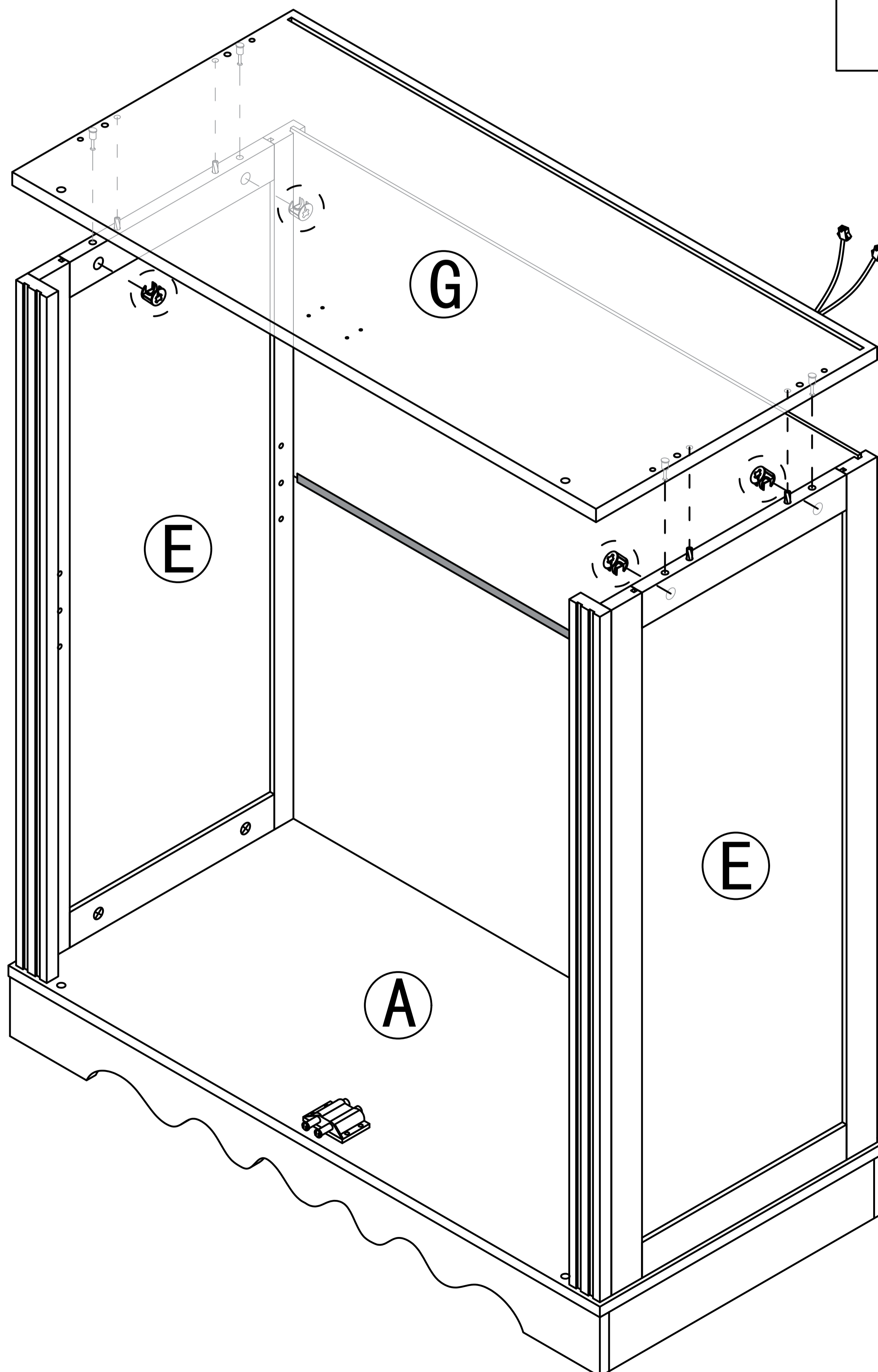
- 3  x4
- 9  x1



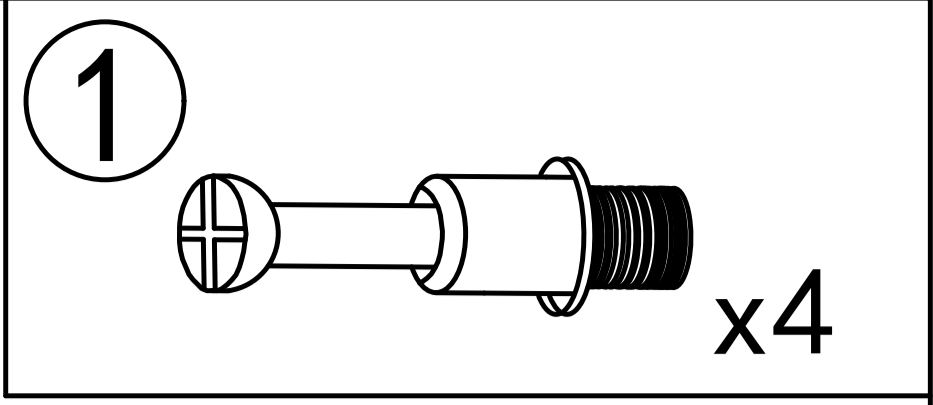
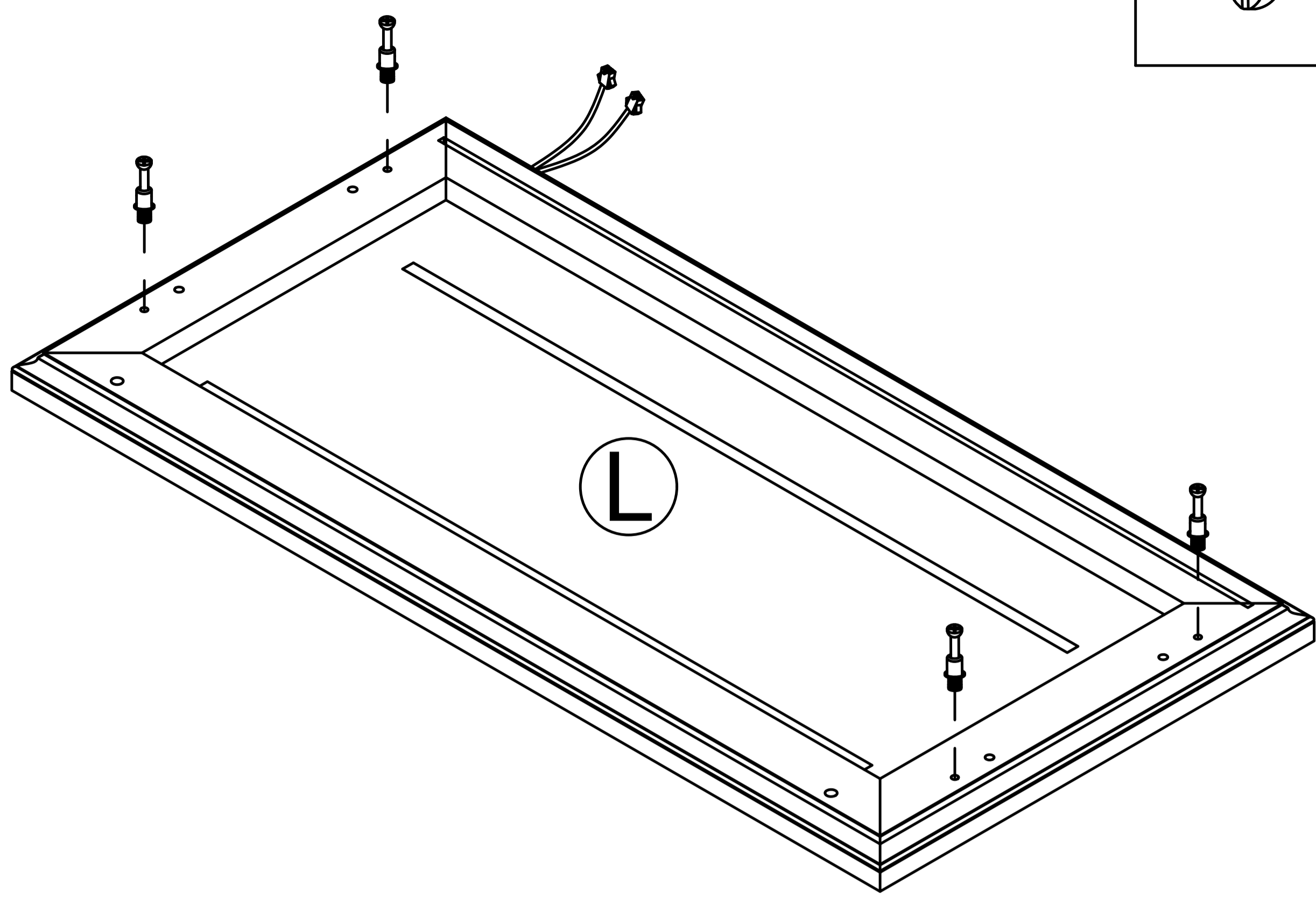
Step 14



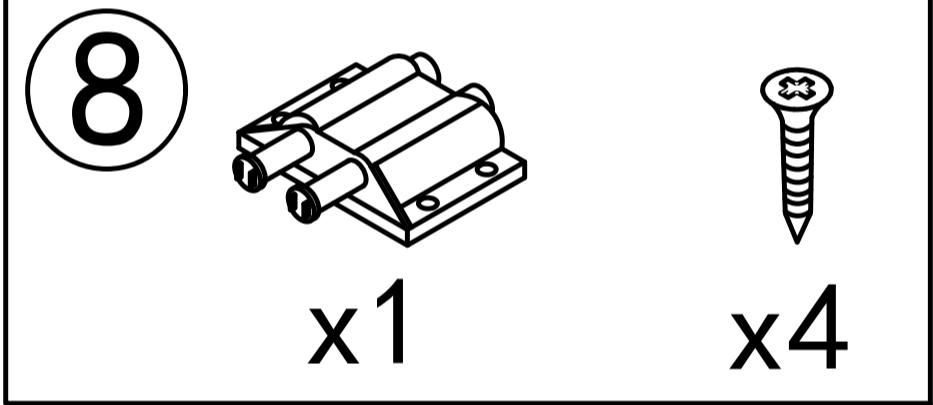
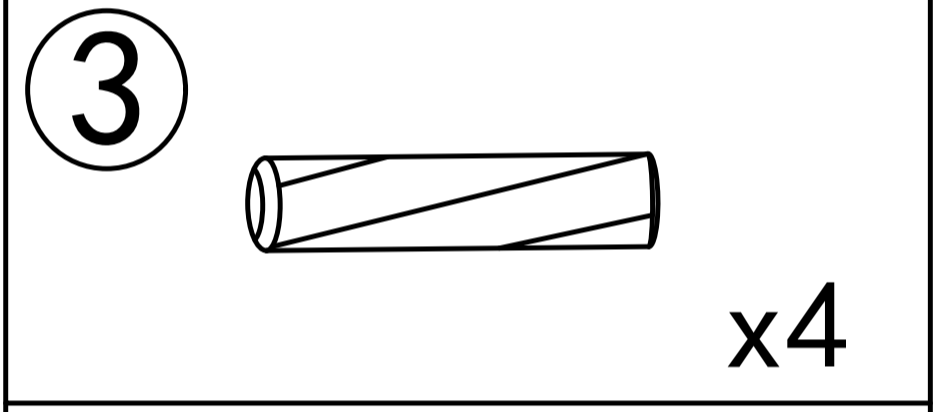
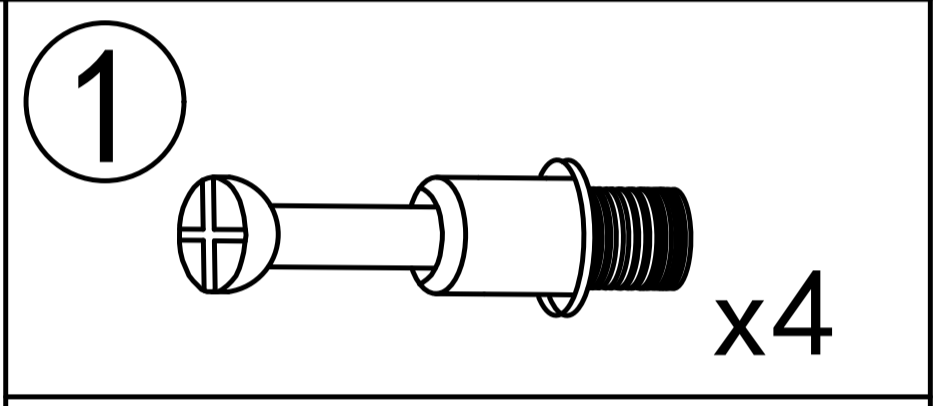
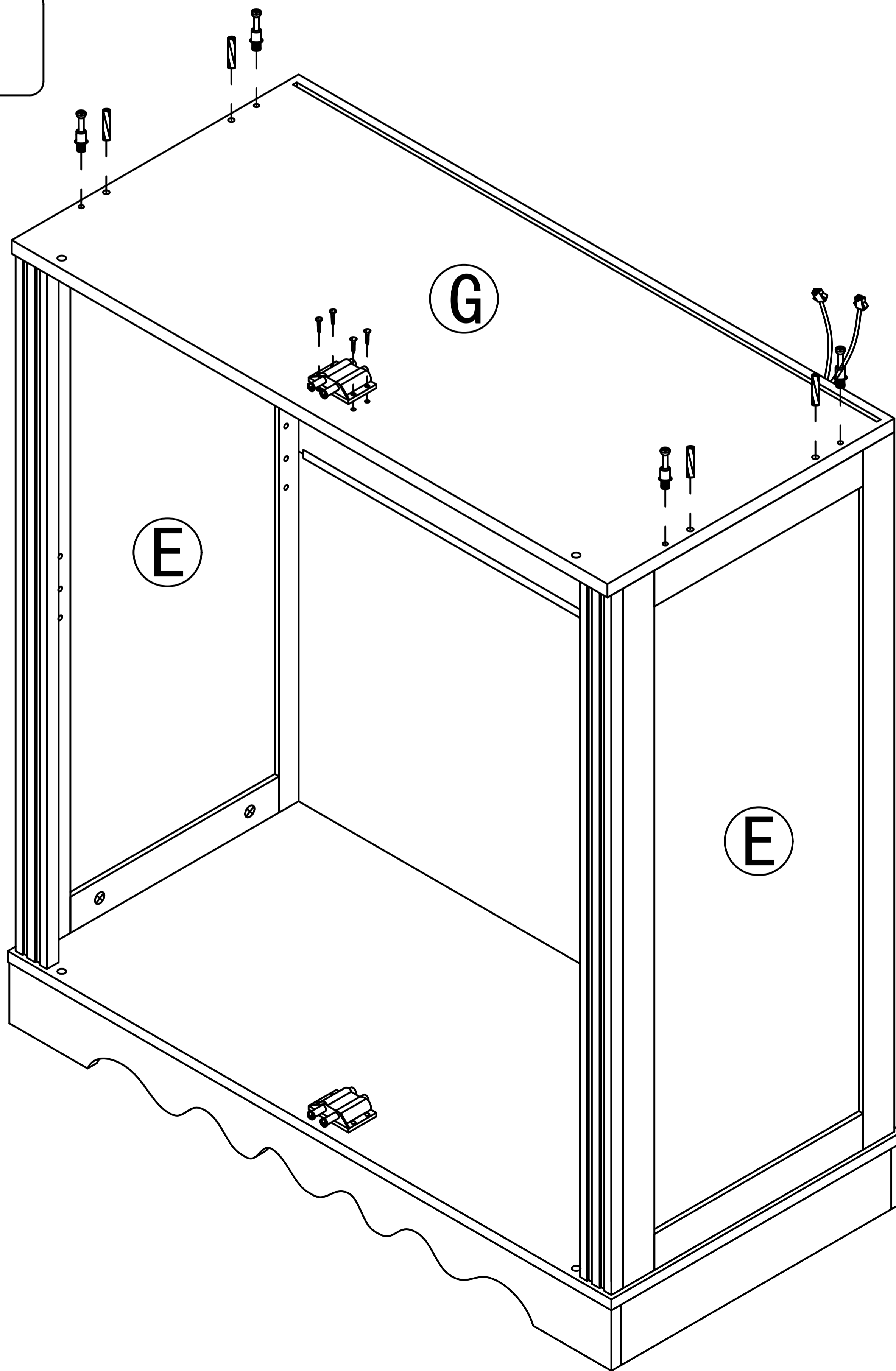
Step 15



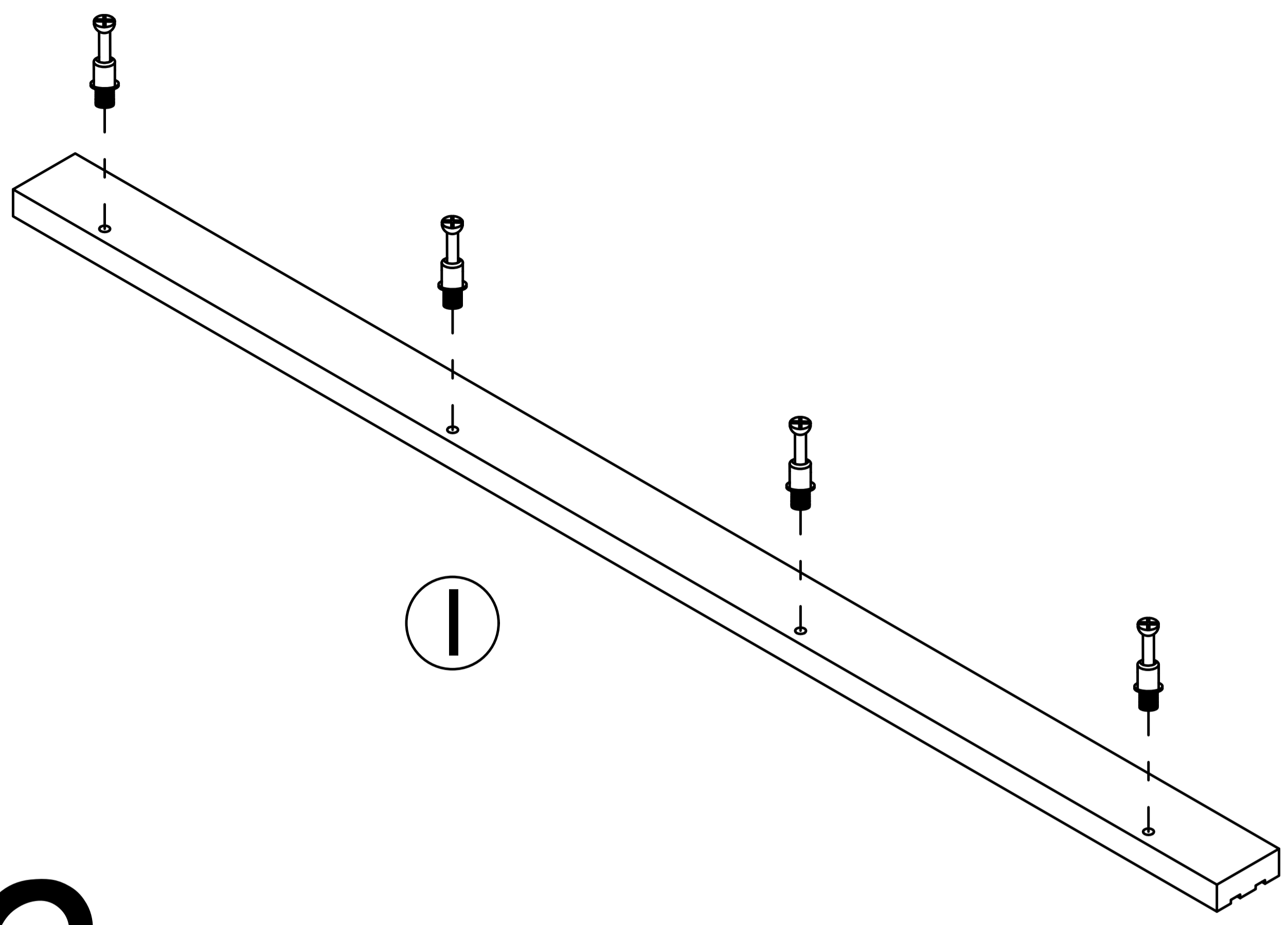
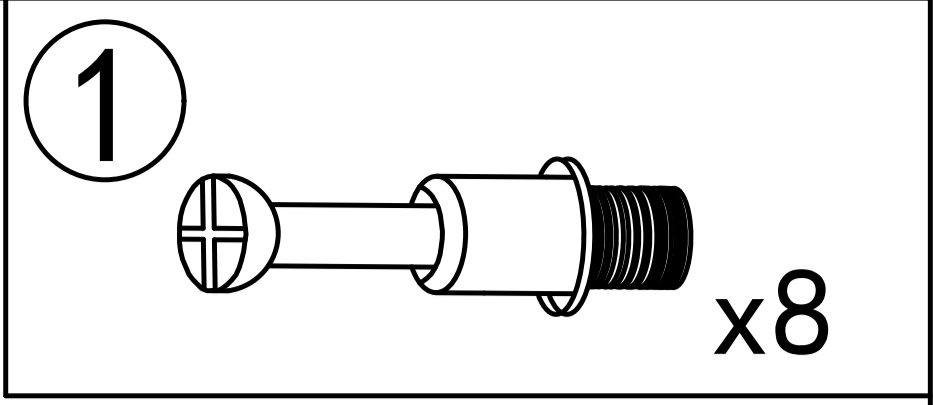
Step 16



Step 17

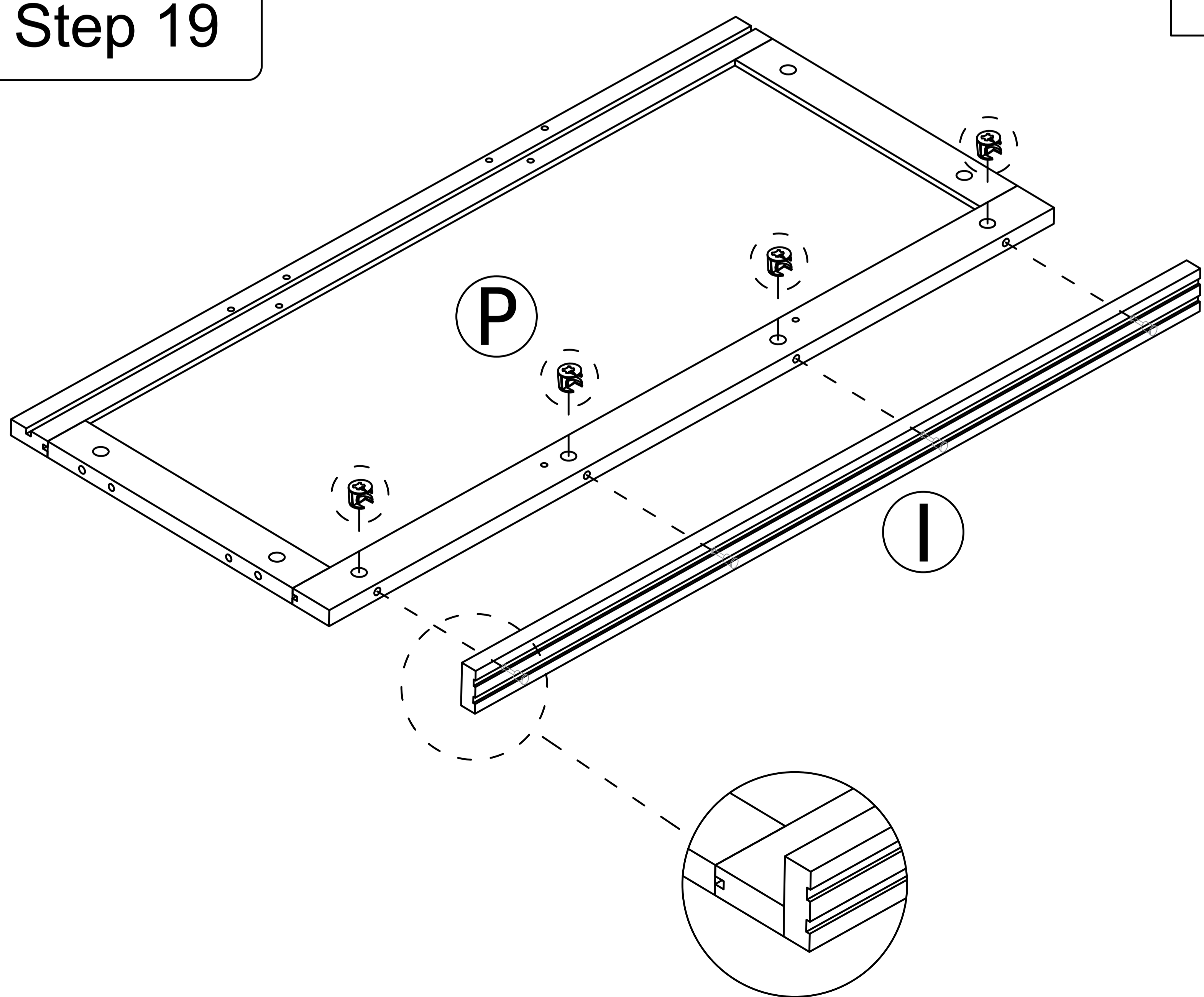
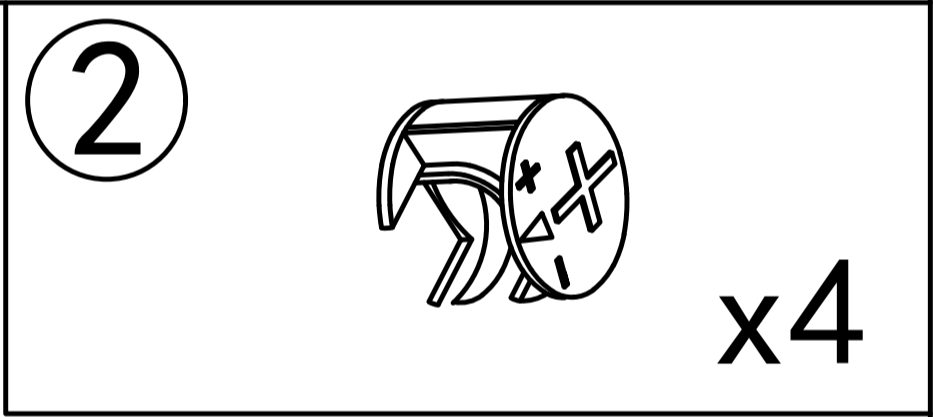


Step 18

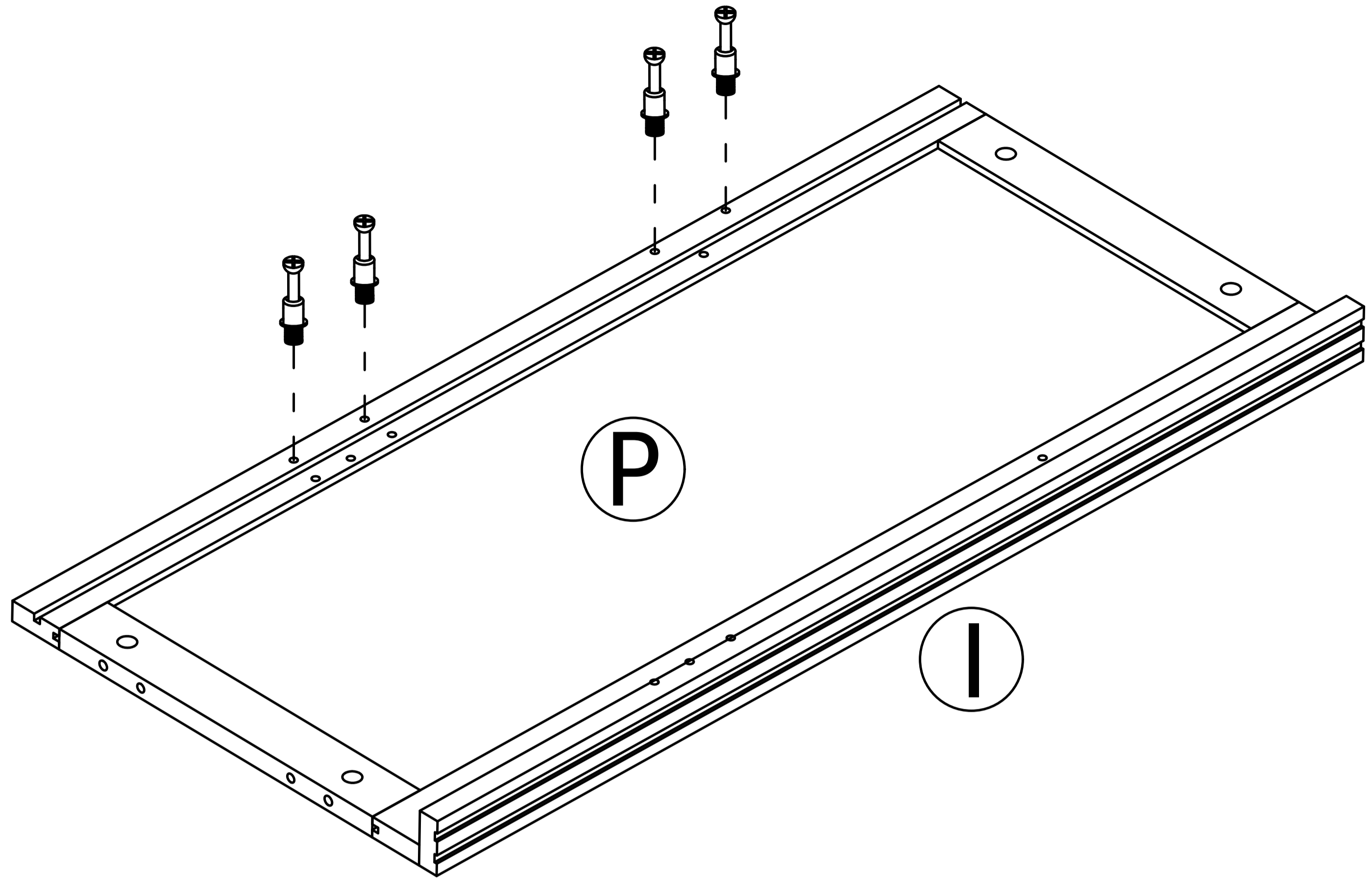
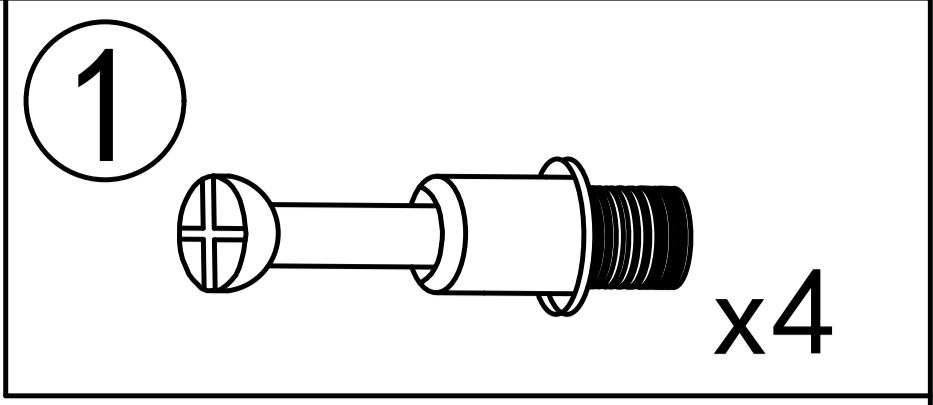


1 x2

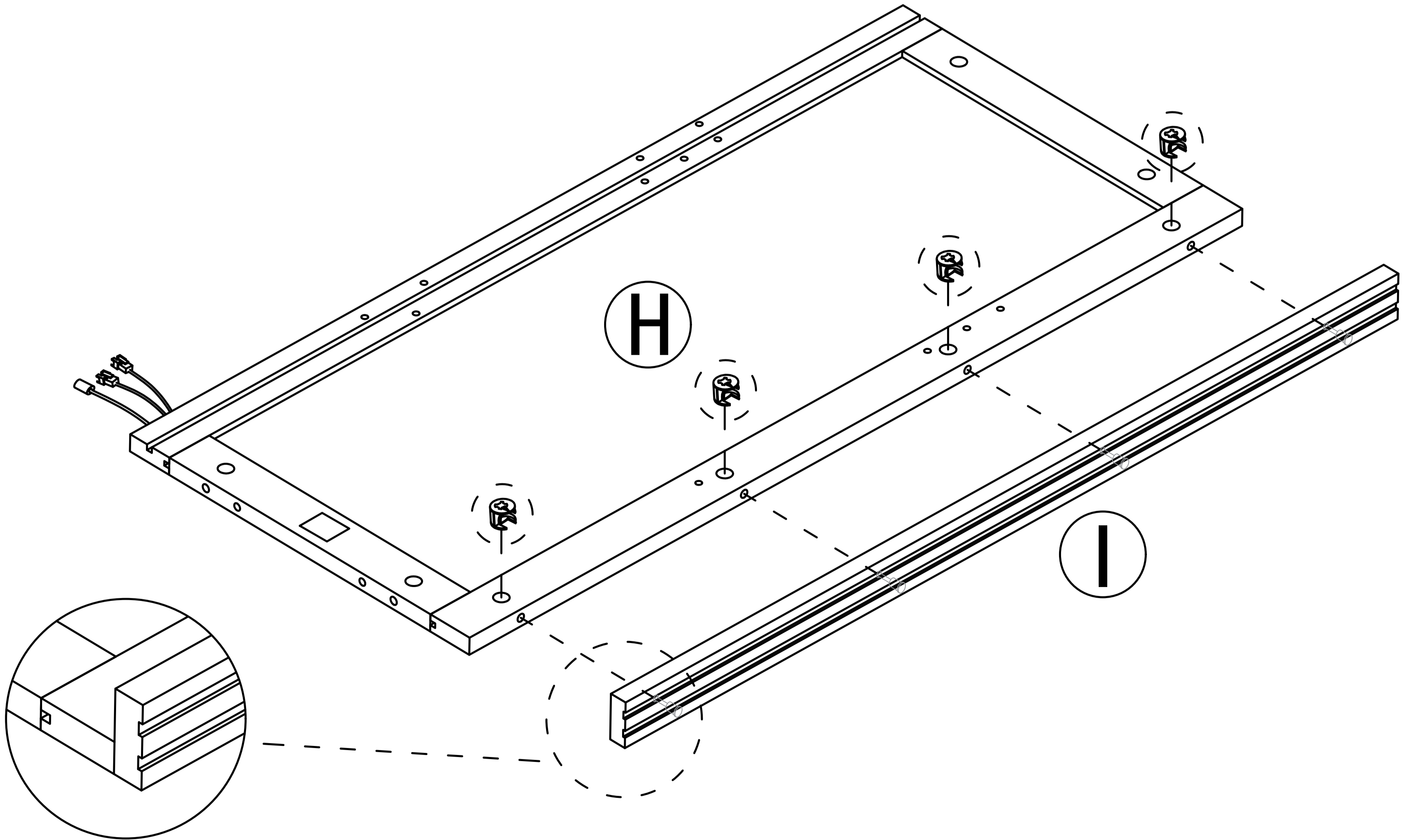
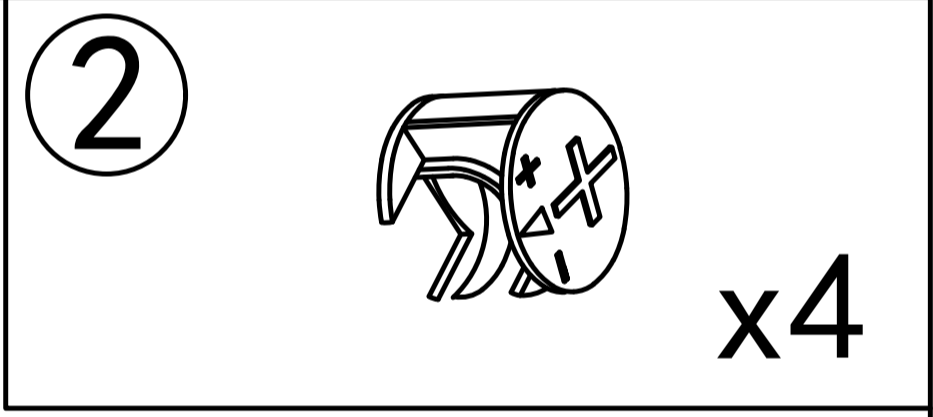
Step 19



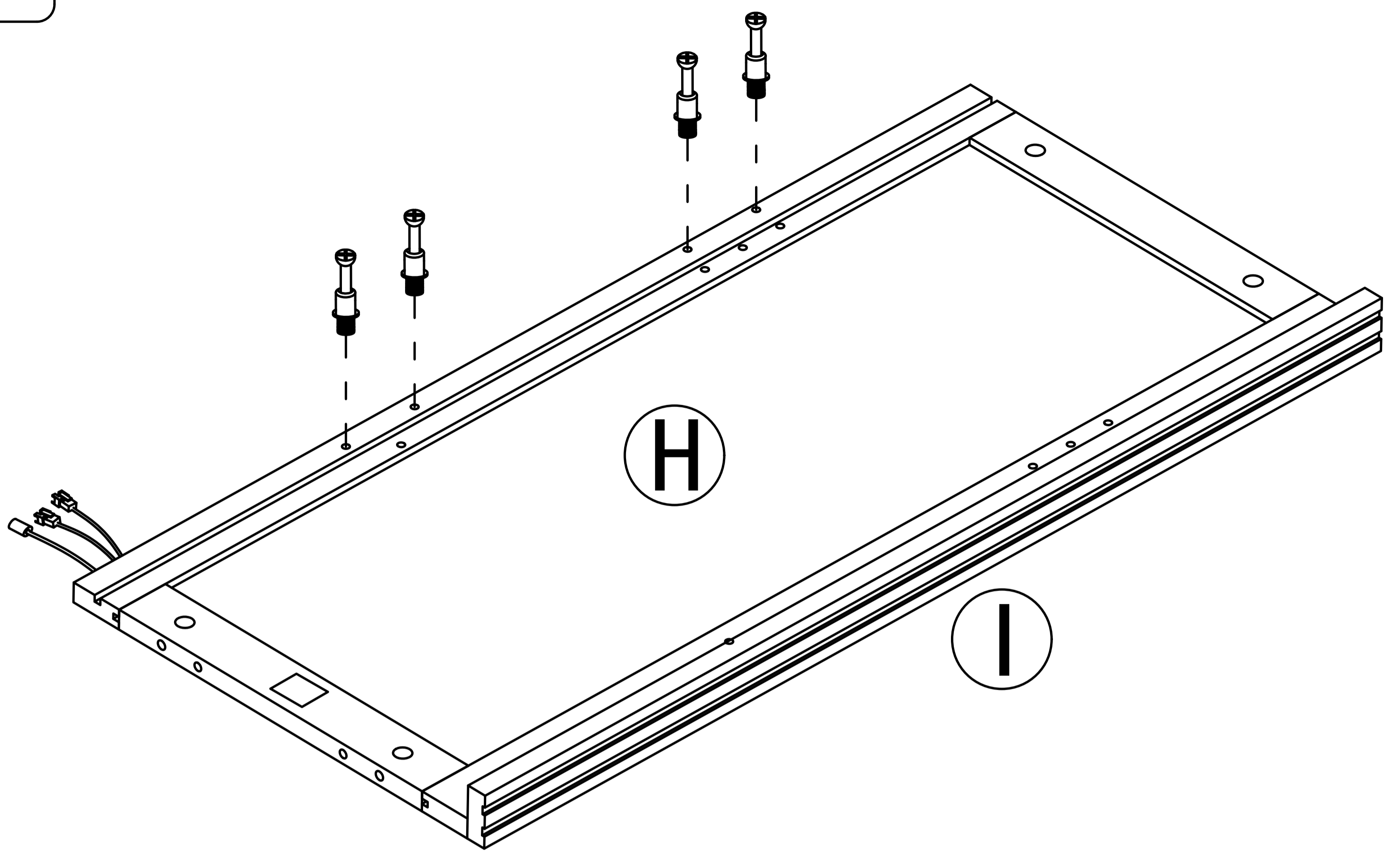
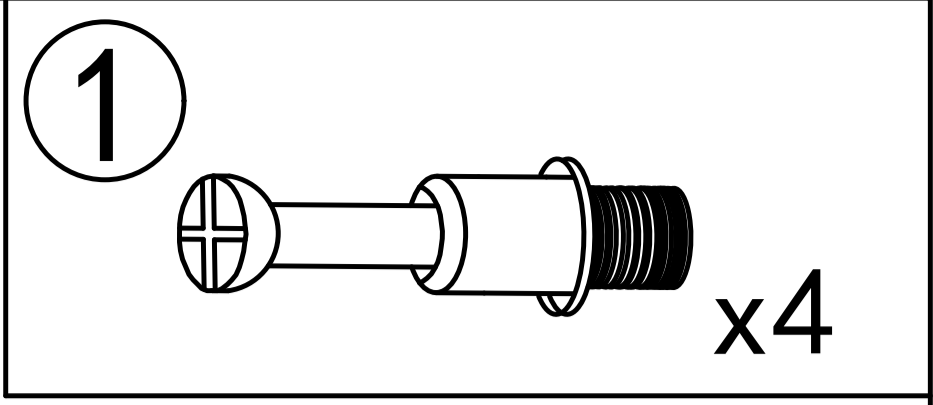
Step 20



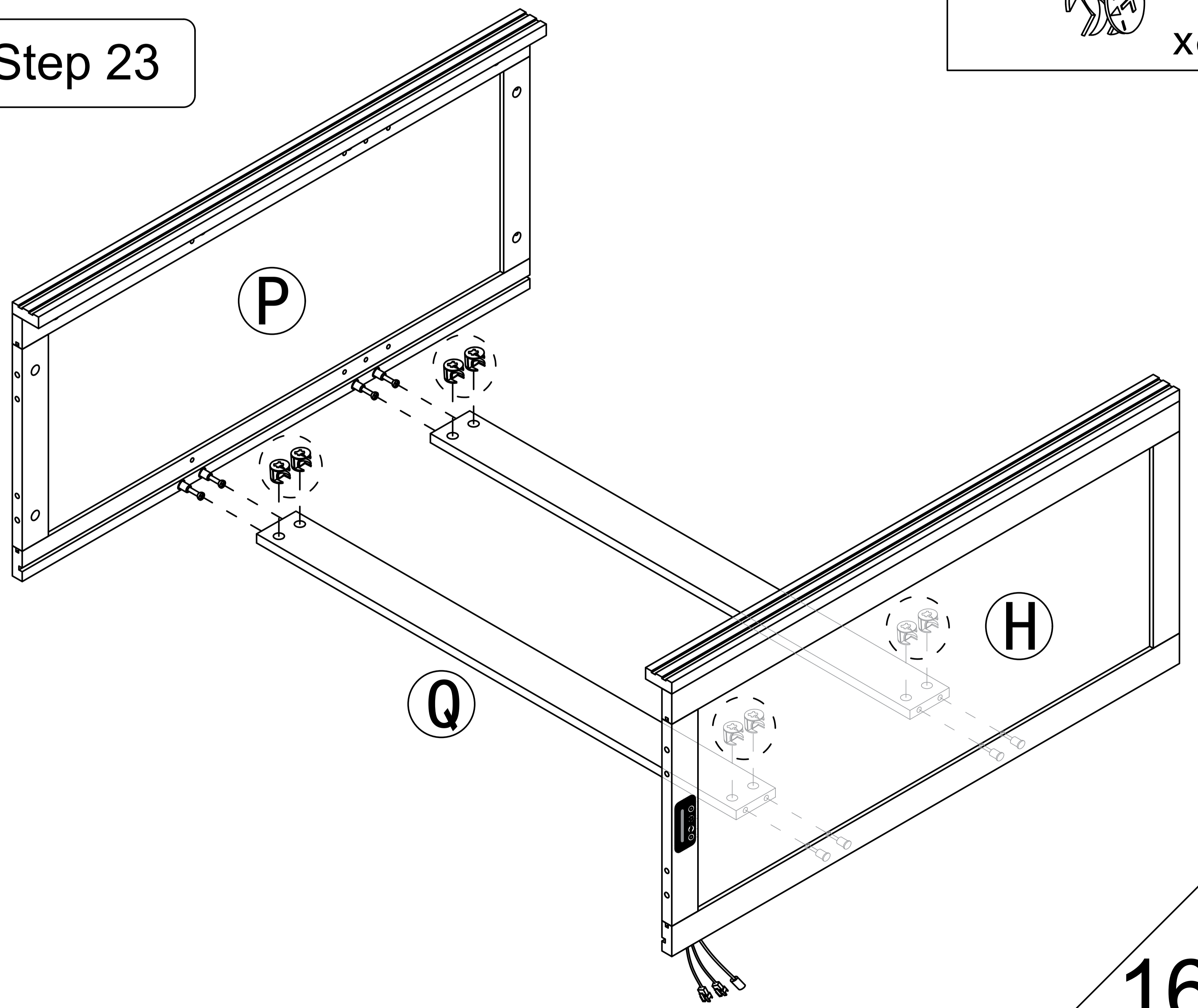
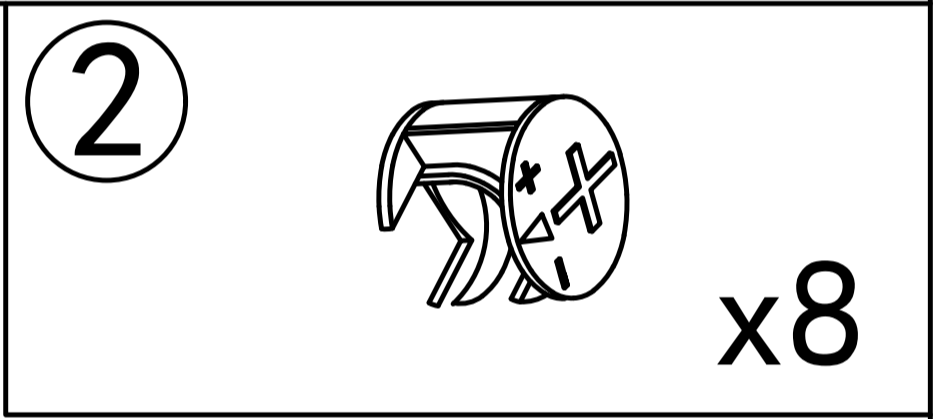
Step 21



Step 22

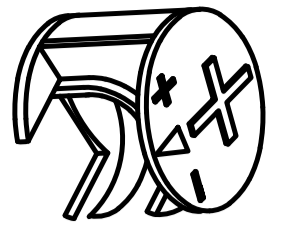


Step 23

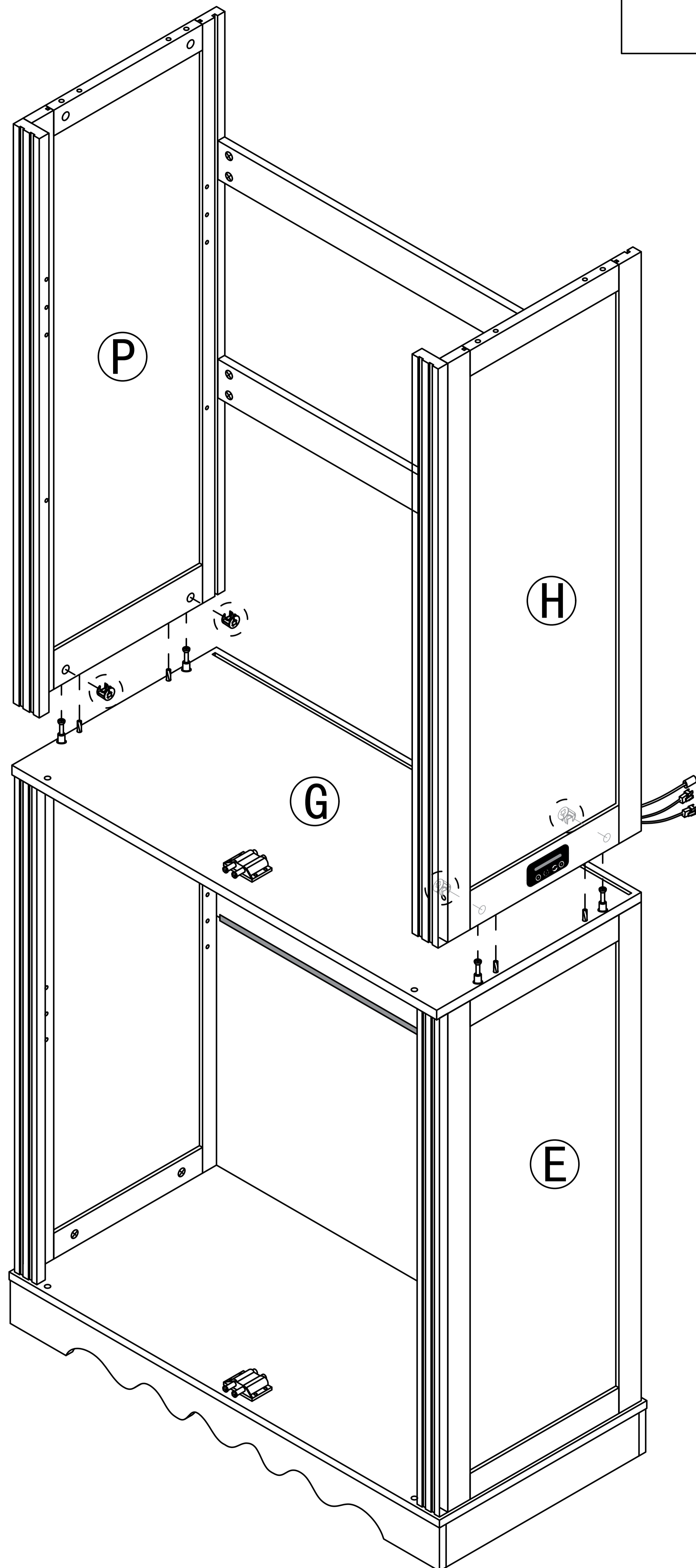


Step 24

2


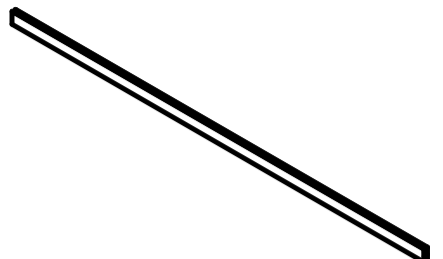


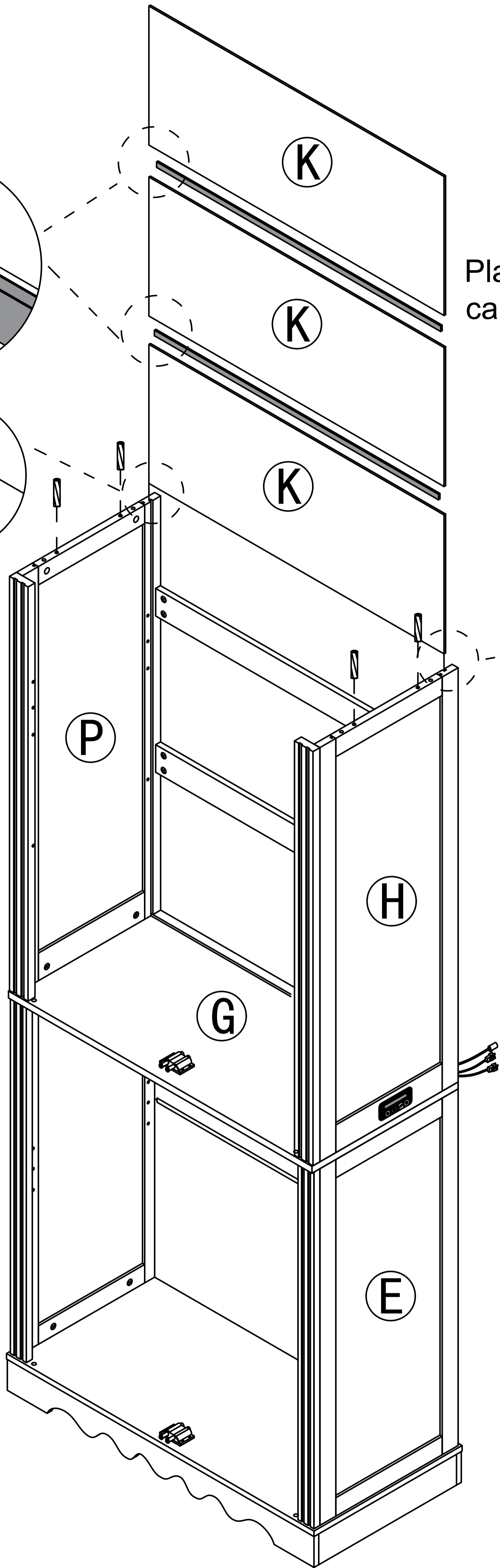
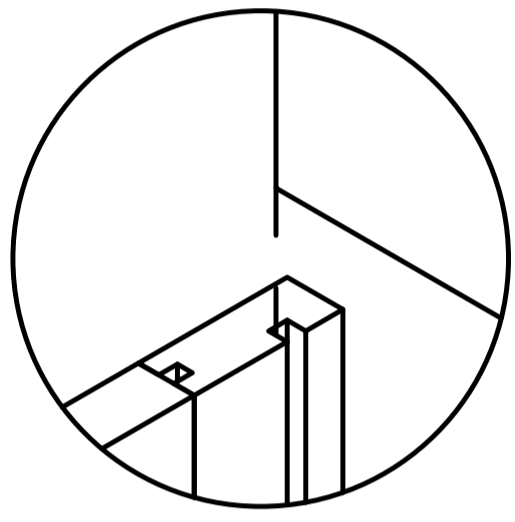
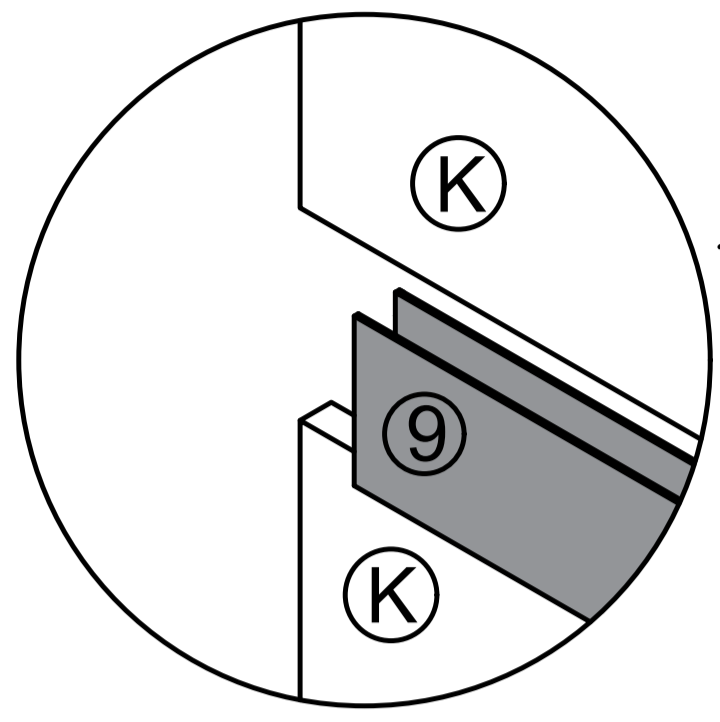
x4



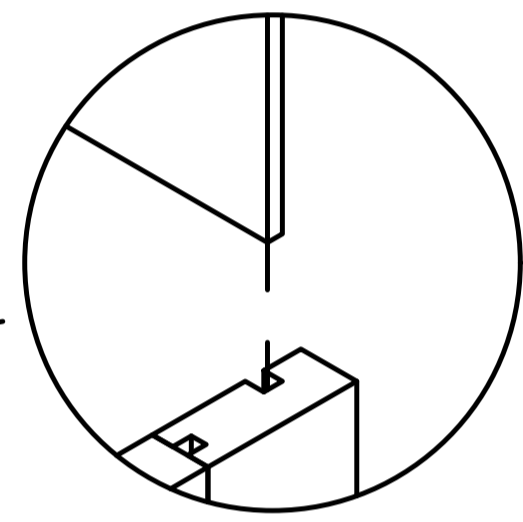
It is recommended that two people work together to install the structural wood panels.

Step 25

- ③  x4
- ⑨  x2



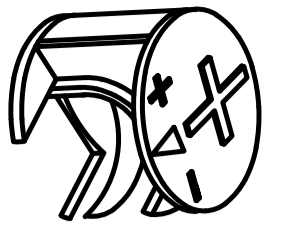
Place the "K" board, Backboard card strip, and "K" board in order



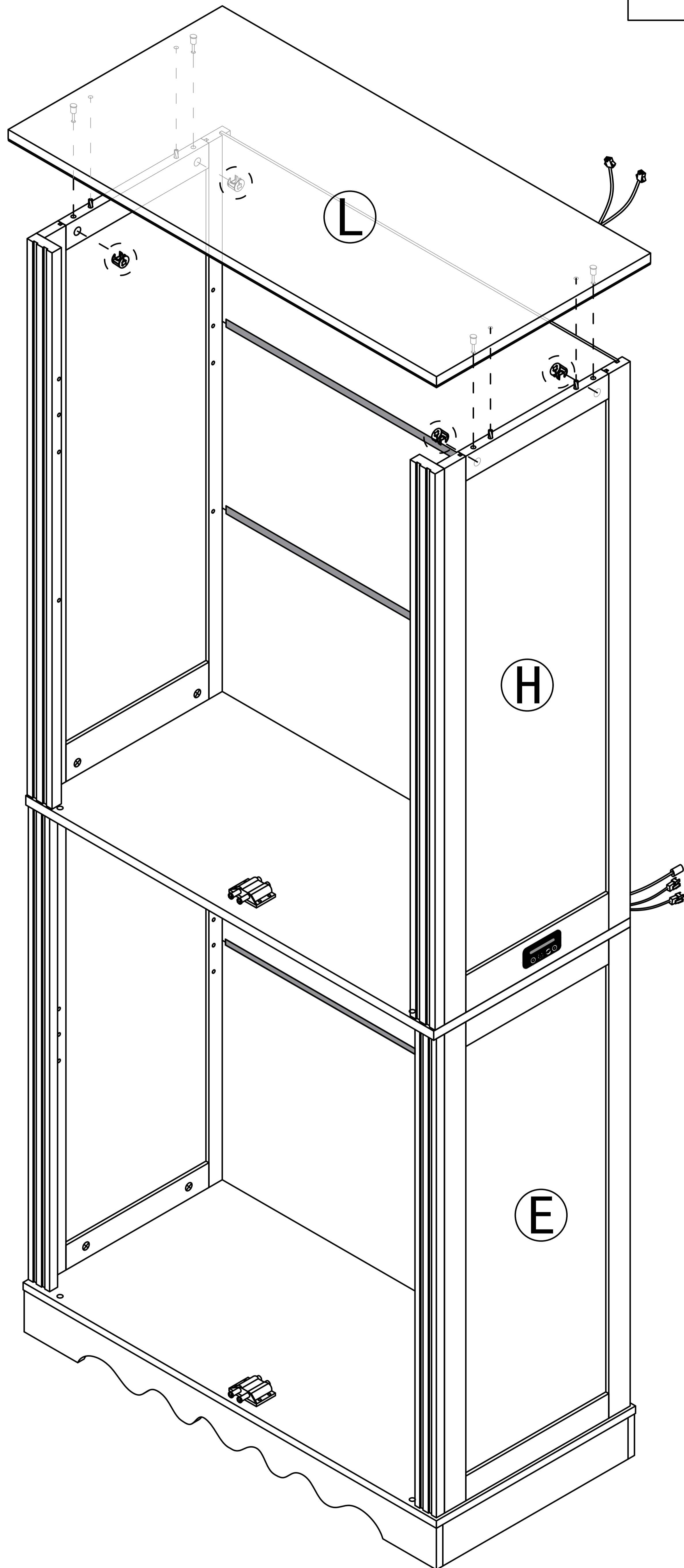
It is recommended that two people work together to install the structural wood panels.

Step 26

2

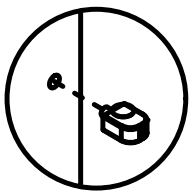
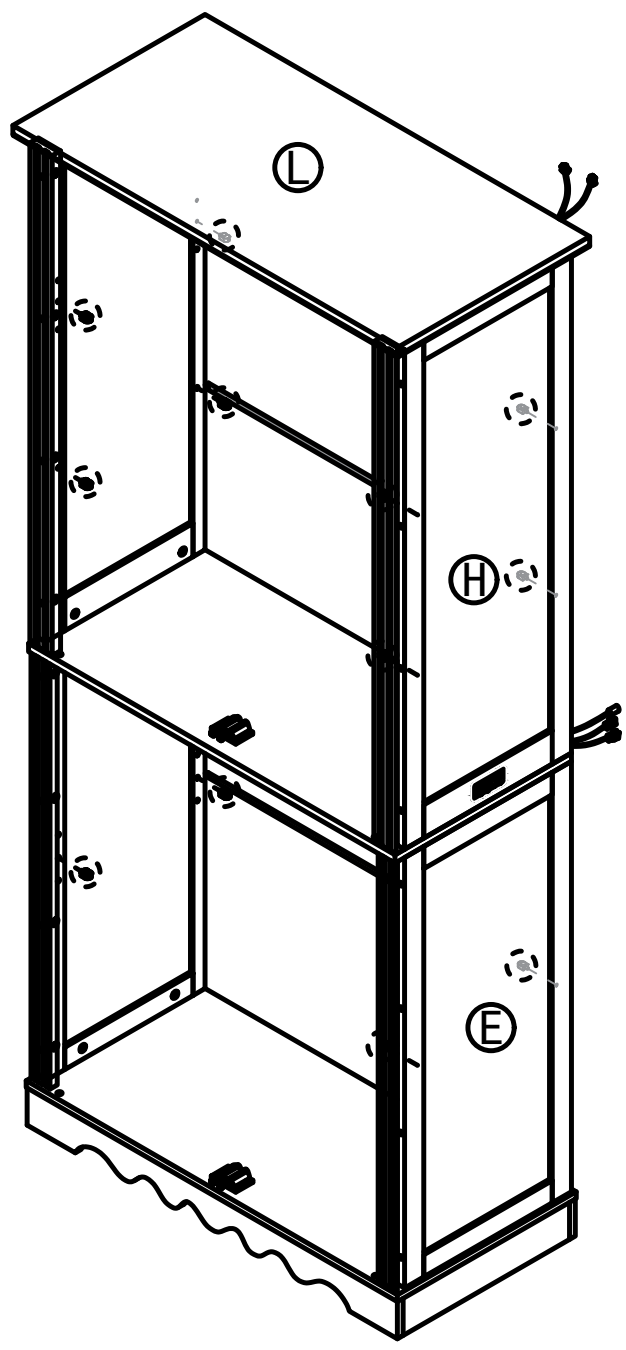


x4

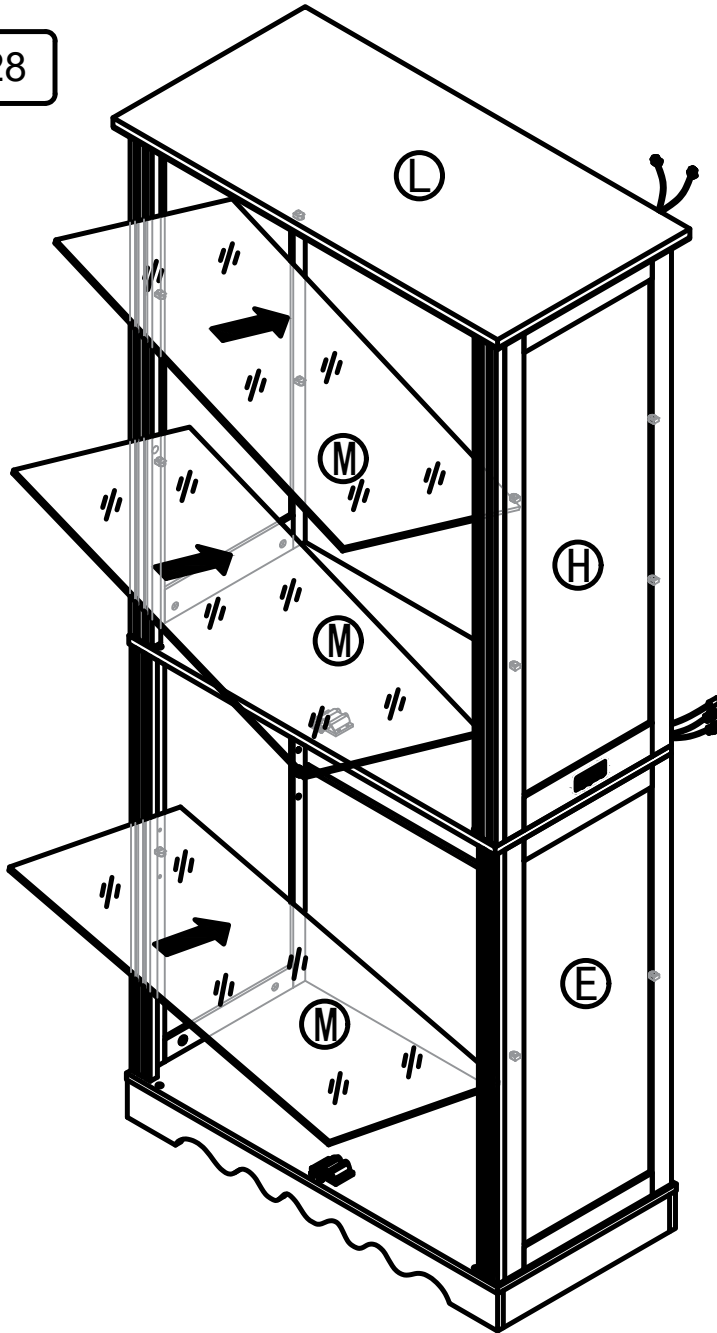


Step 27

⑦  x12



Step 28

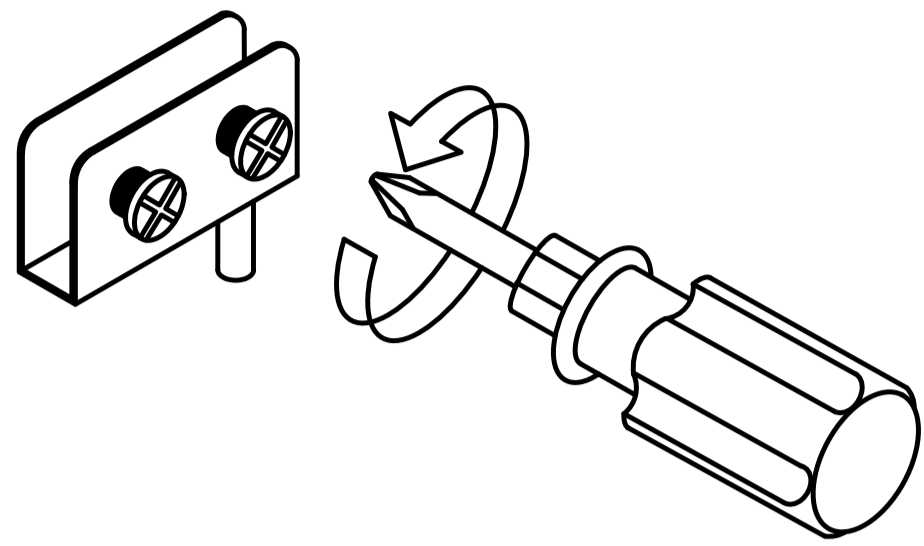


When installing the glass shelf, be sure to insert it into the cabinet at an angle.

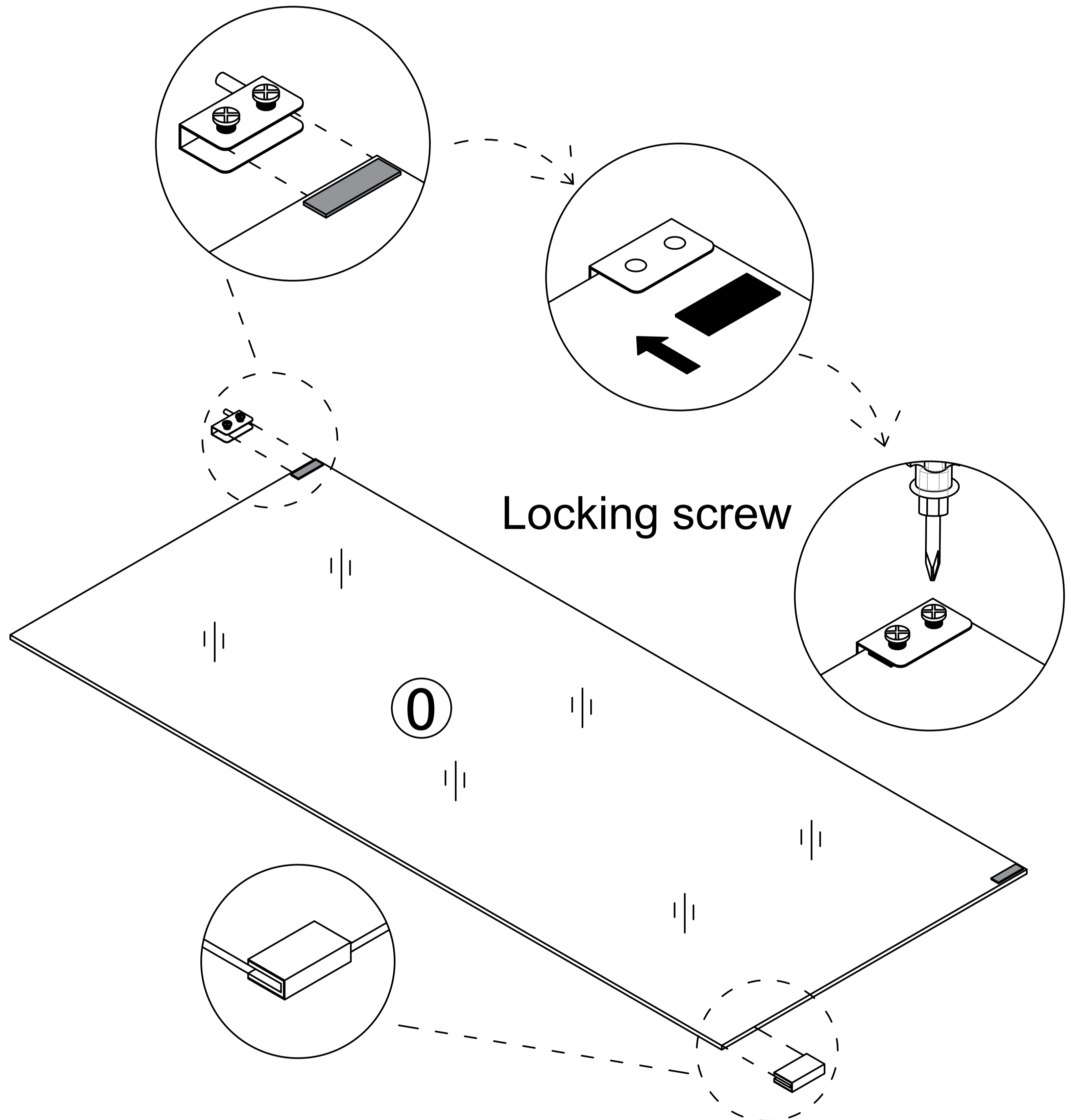
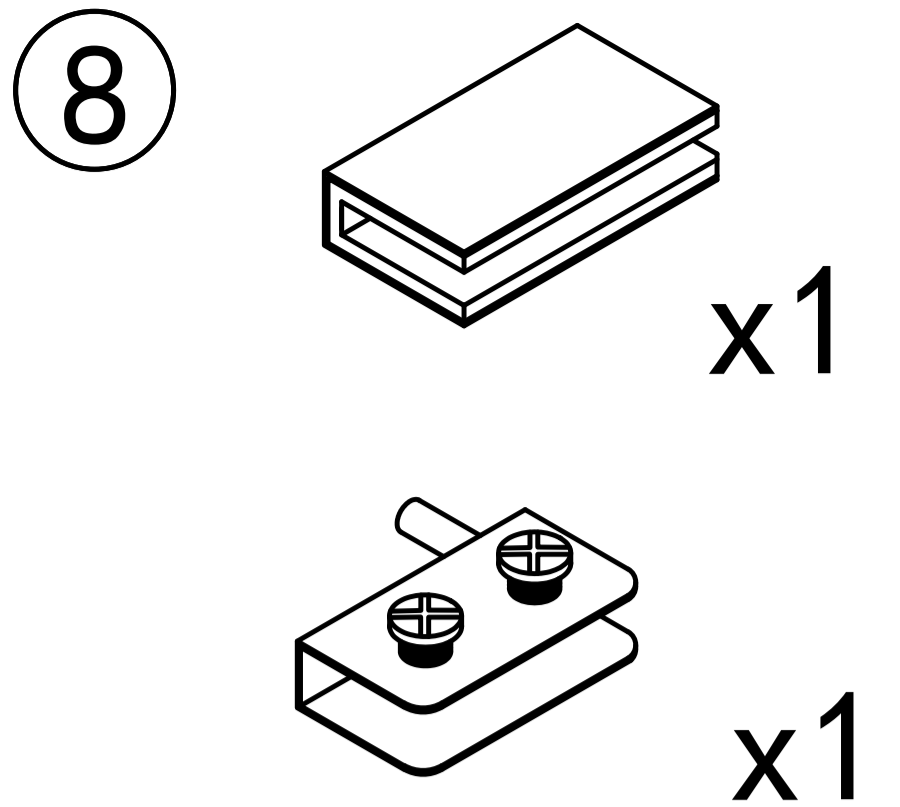
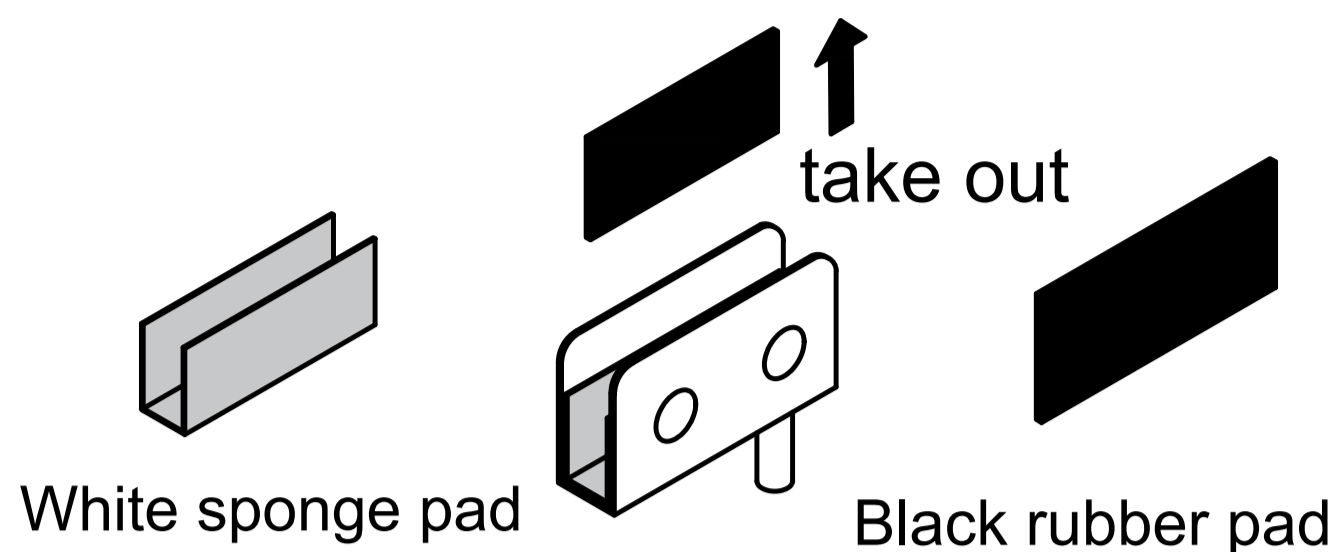
Please handle the glass with care and place it gently.

Step 29

First, completely unscrew the screws on the parts



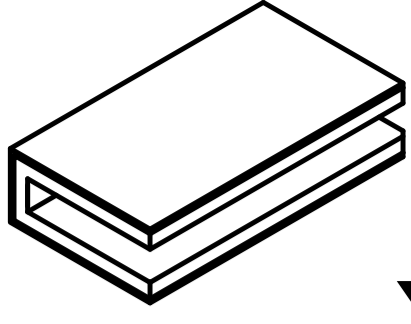
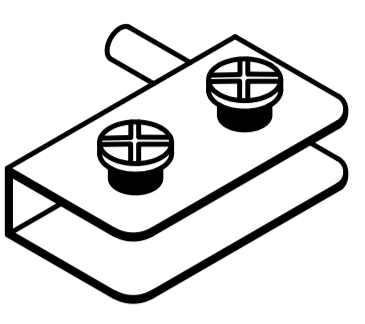
Then take out the black rubber pad from the inside of the part, and the white sponge remains unchanged inside the part.

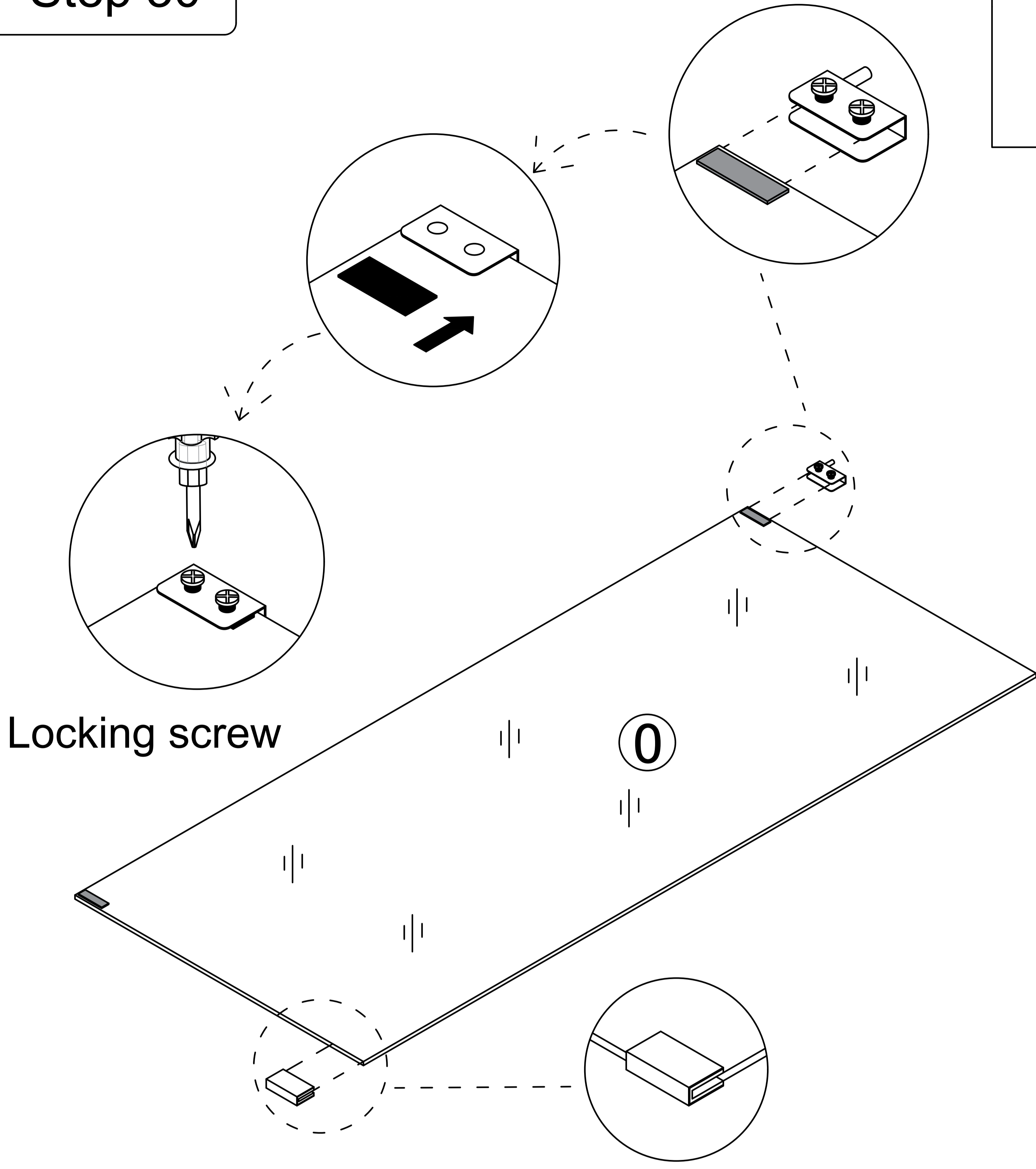


Pay attention to the direction of the door hinge, rotate the screws to compress the black gasket, and do not place it in the opposite direction

Place the black gasket on the side where the screws are installed

Step 30

- 8  x1
-  x1

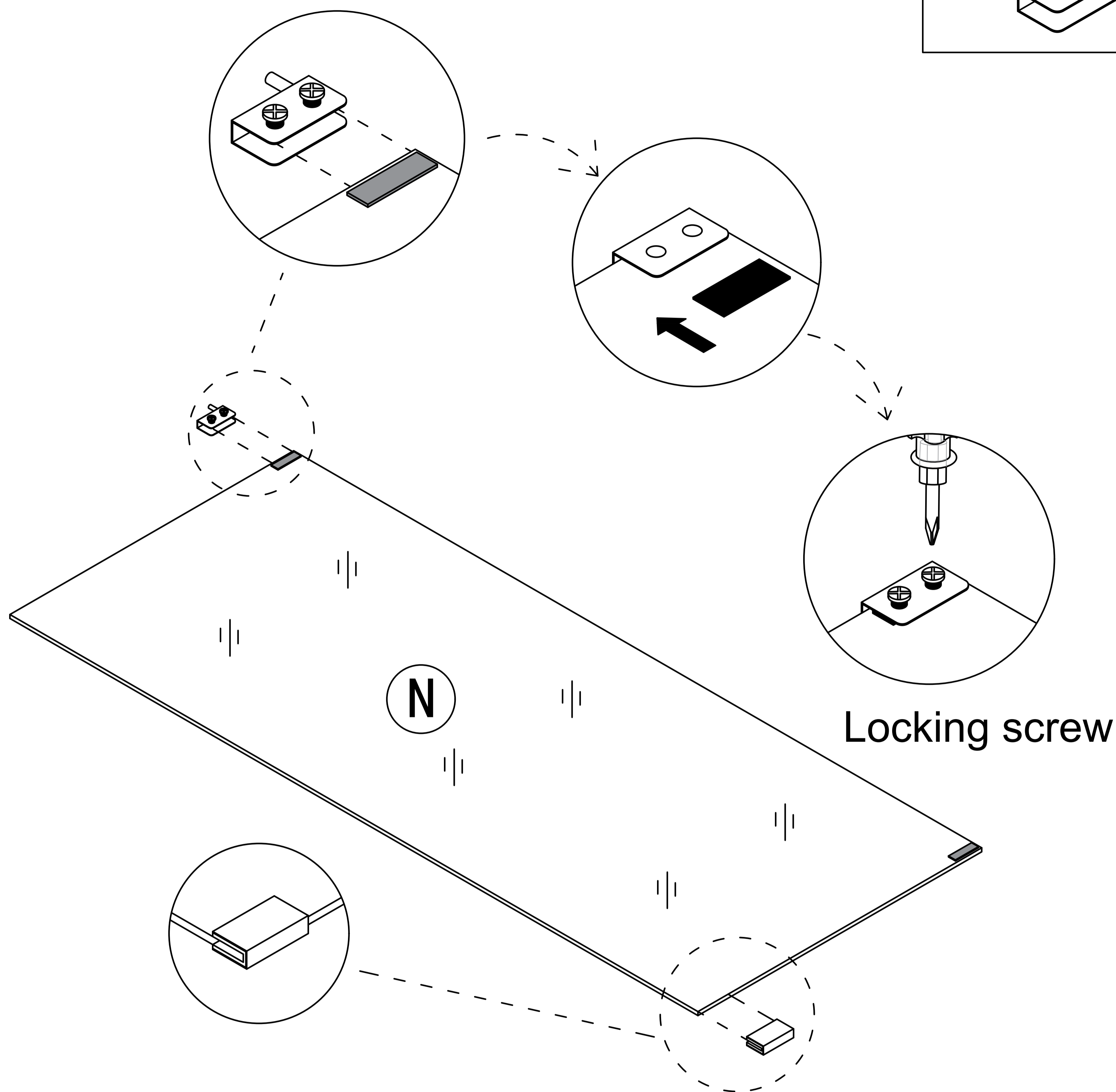
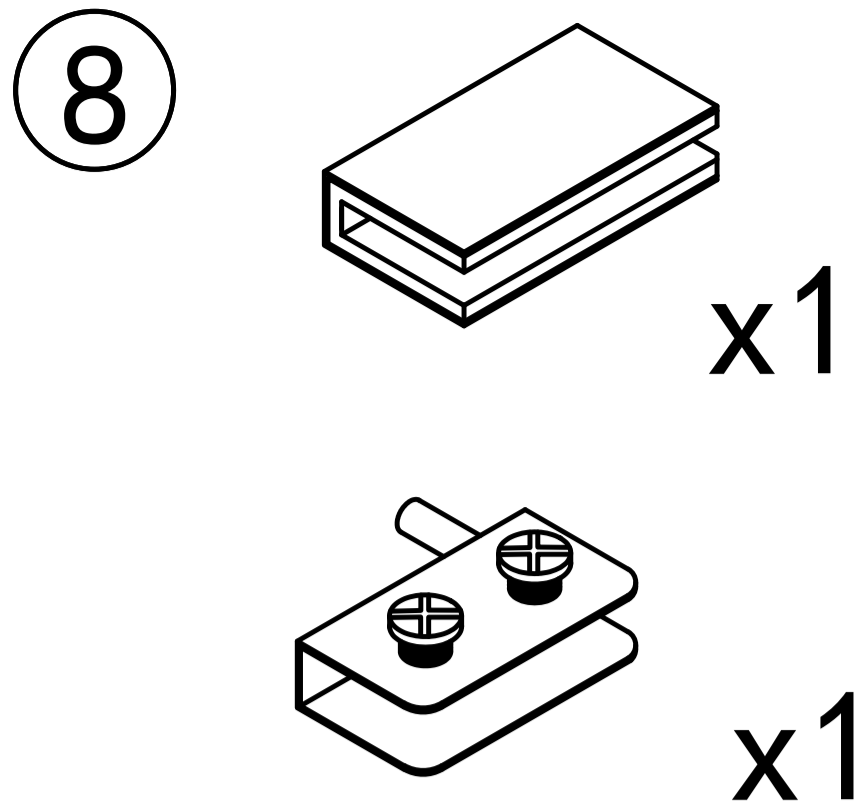


Locking screw

Pay attention to the direction of the door hinge, rotate the screws to compress the black gasket, and do not place it in the opposite direction

Place the black gasket on the side where the screws are installed

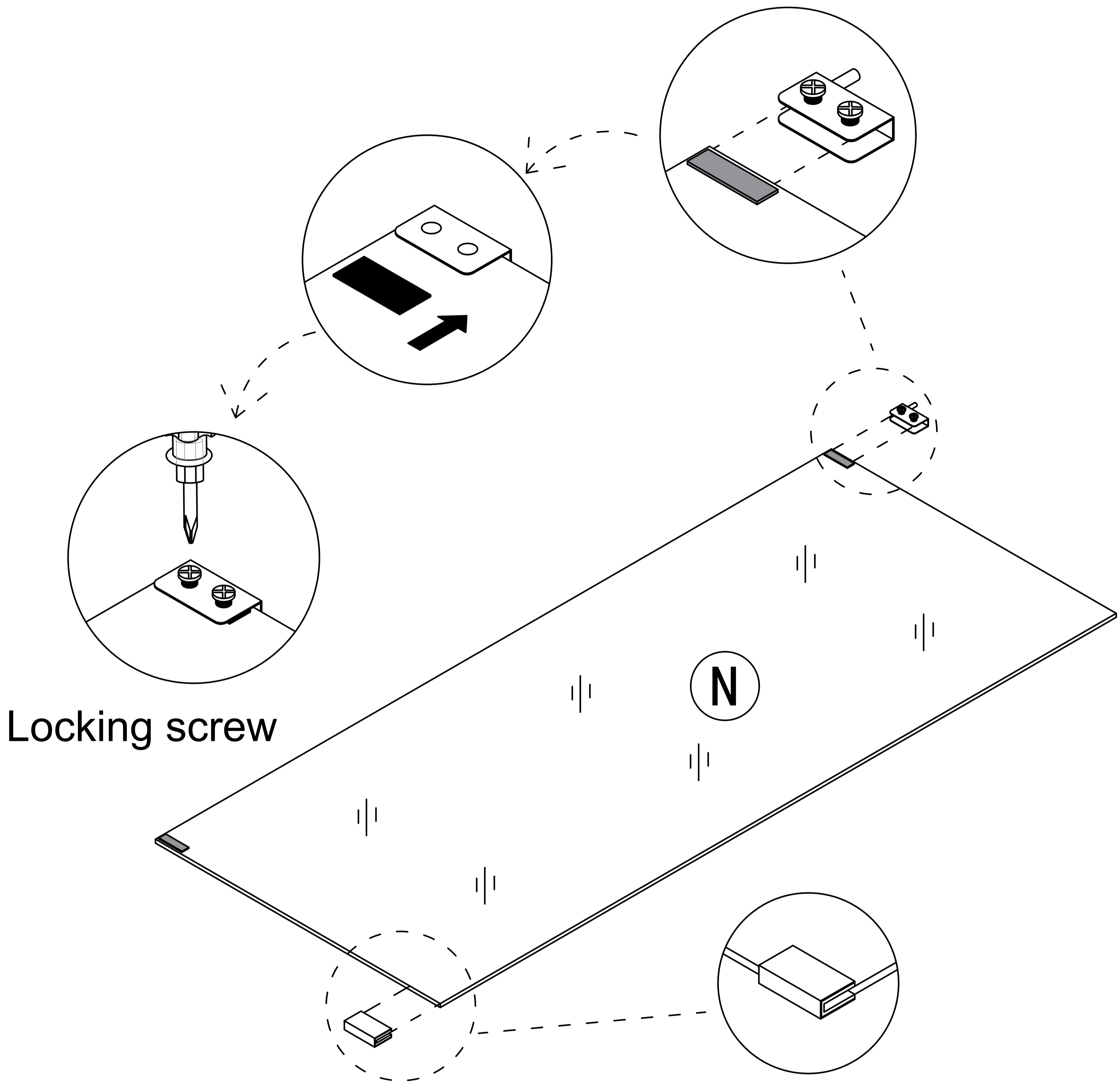
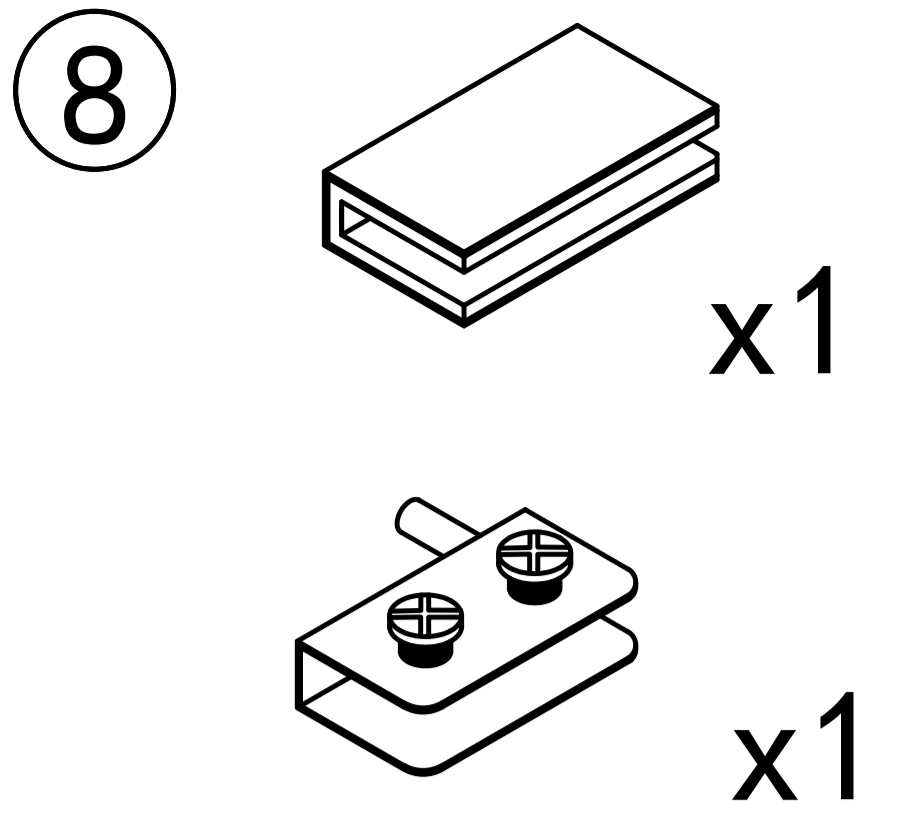
Step 31



Pay attention to the direction of the door hinge, rotate the screws to compress the black gasket, and do not place it in the opposite direction

Place the black gasket on the side where the screws are installed

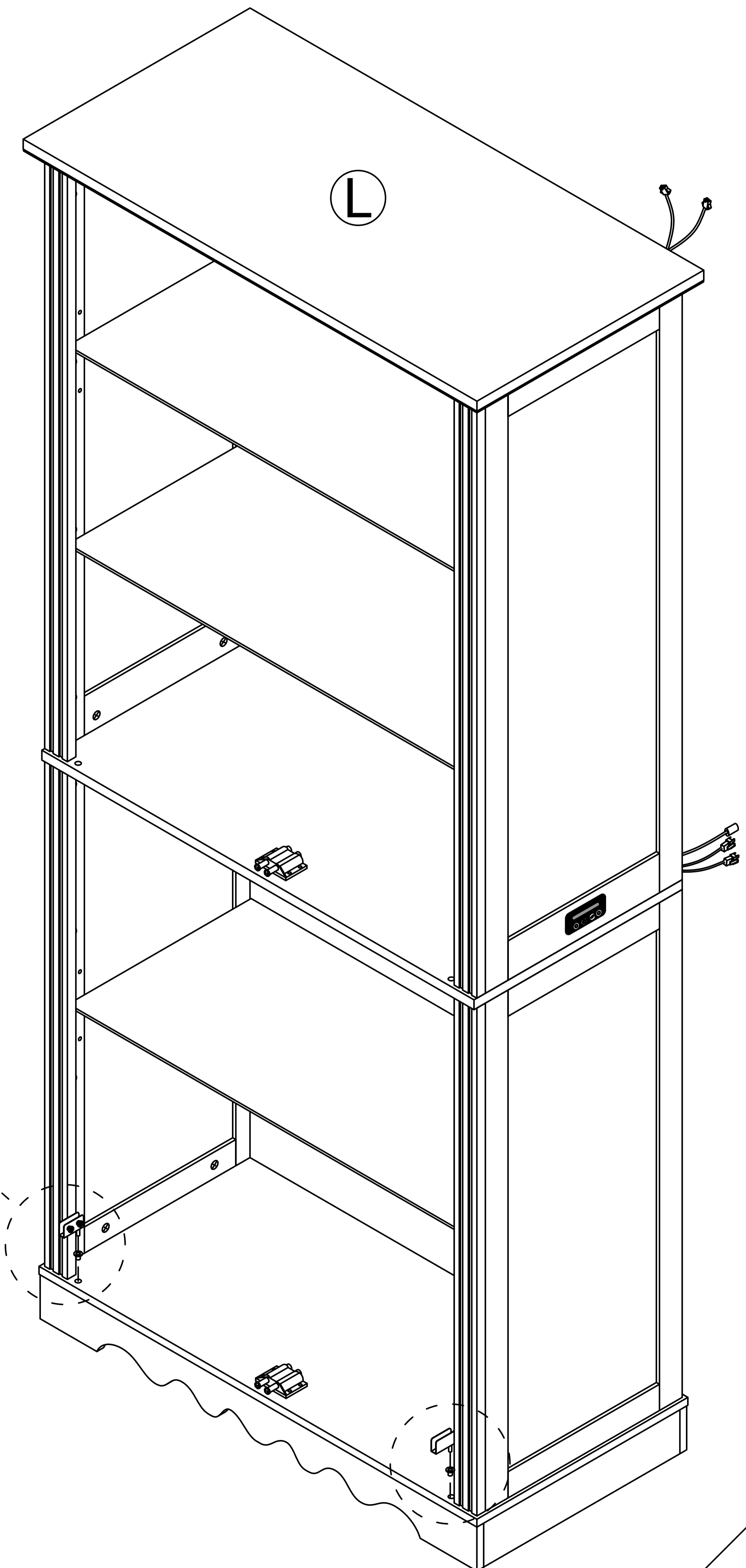
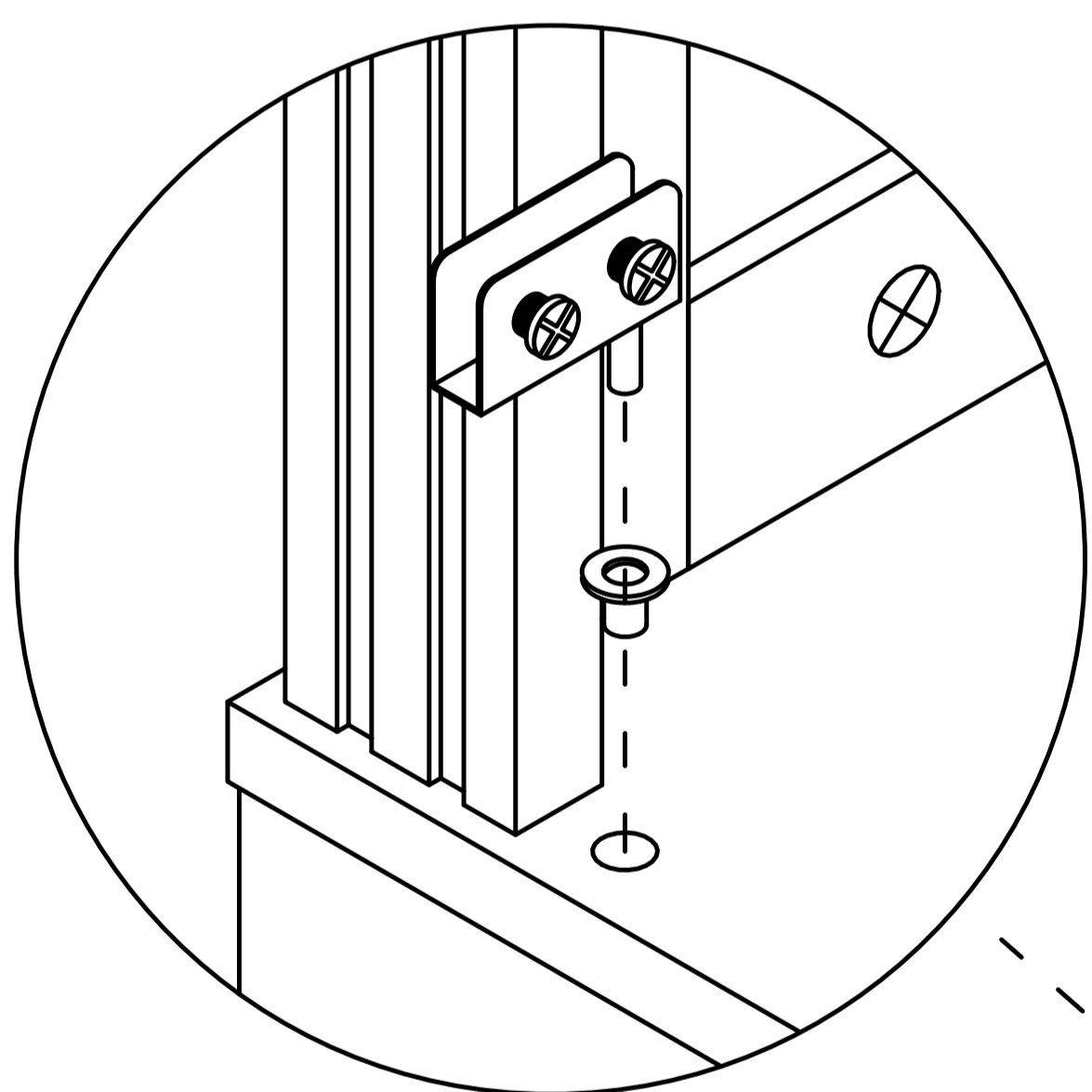
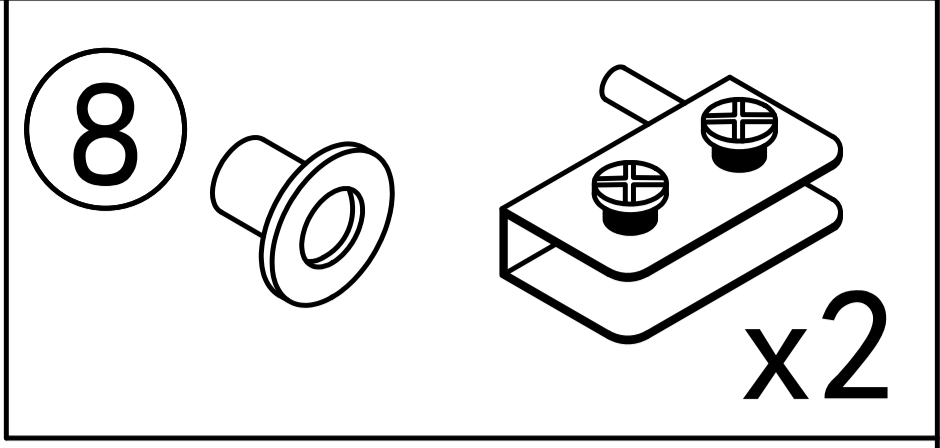
Step 32



Pay attention to the direction of the door hinge, rotate the screws to compress the black gasket, and do not place it in the opposite direction

Place the black gasket on the side where the screws are installed

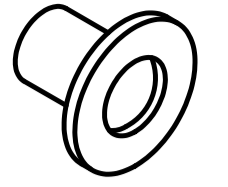
Step 33



Step 34

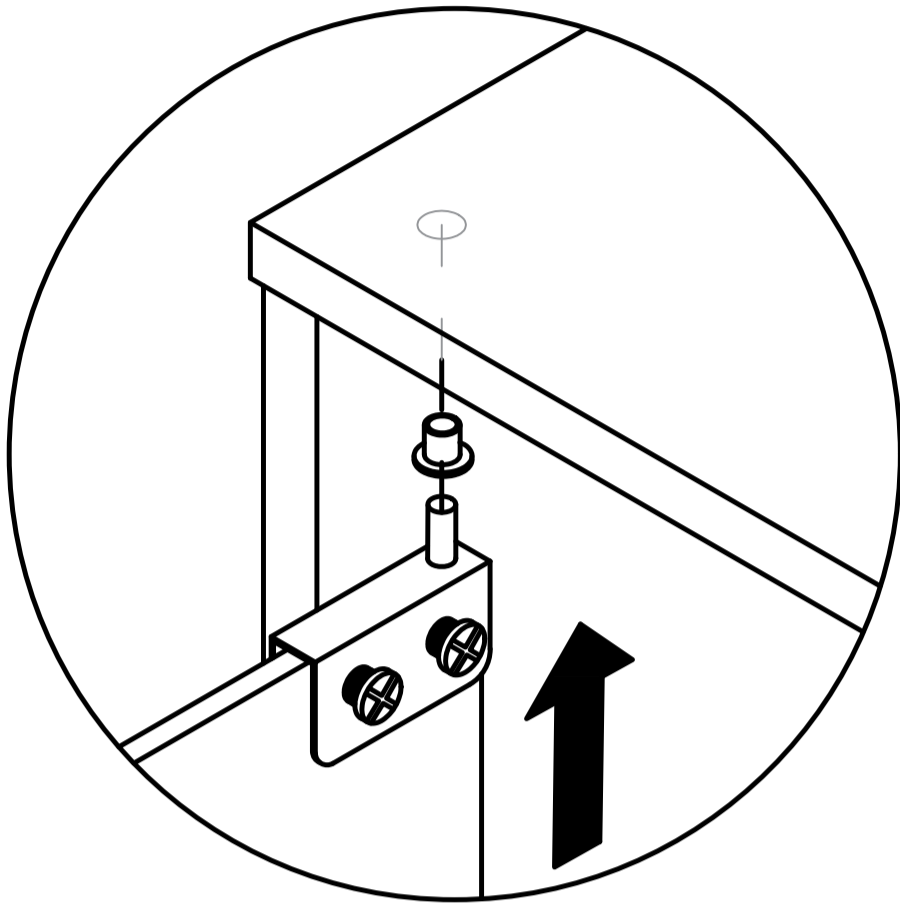
Pay attention to the direction of the door hinge during installation

8

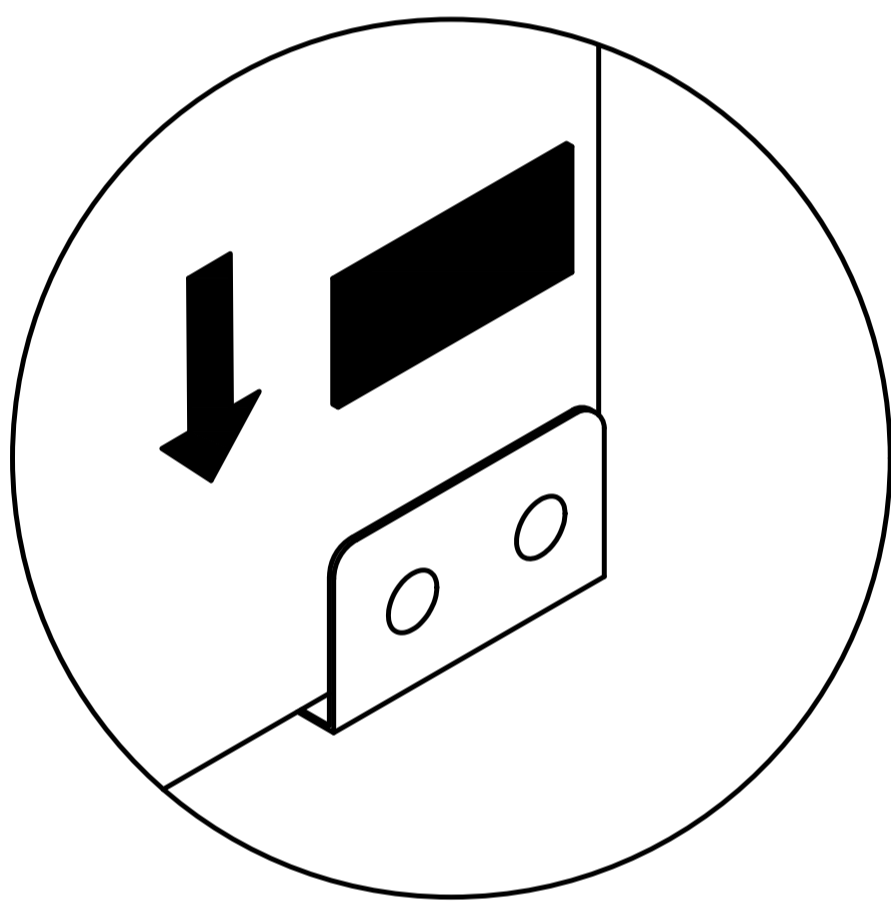


x2

When installing a glass door, it is recommended to have two people install it to avoid the glass door colliding or hitting oneself.

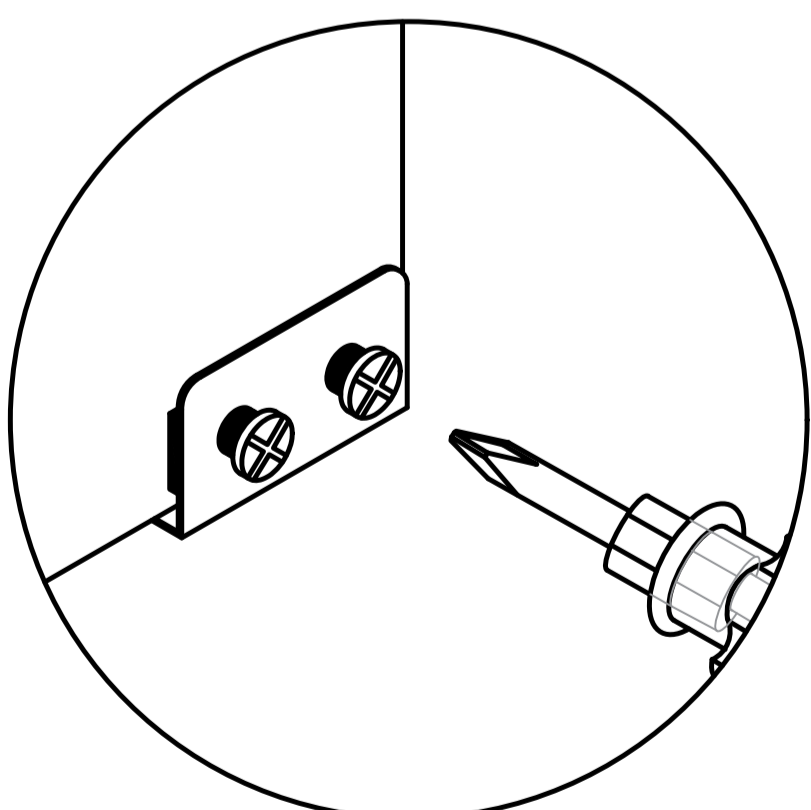


first



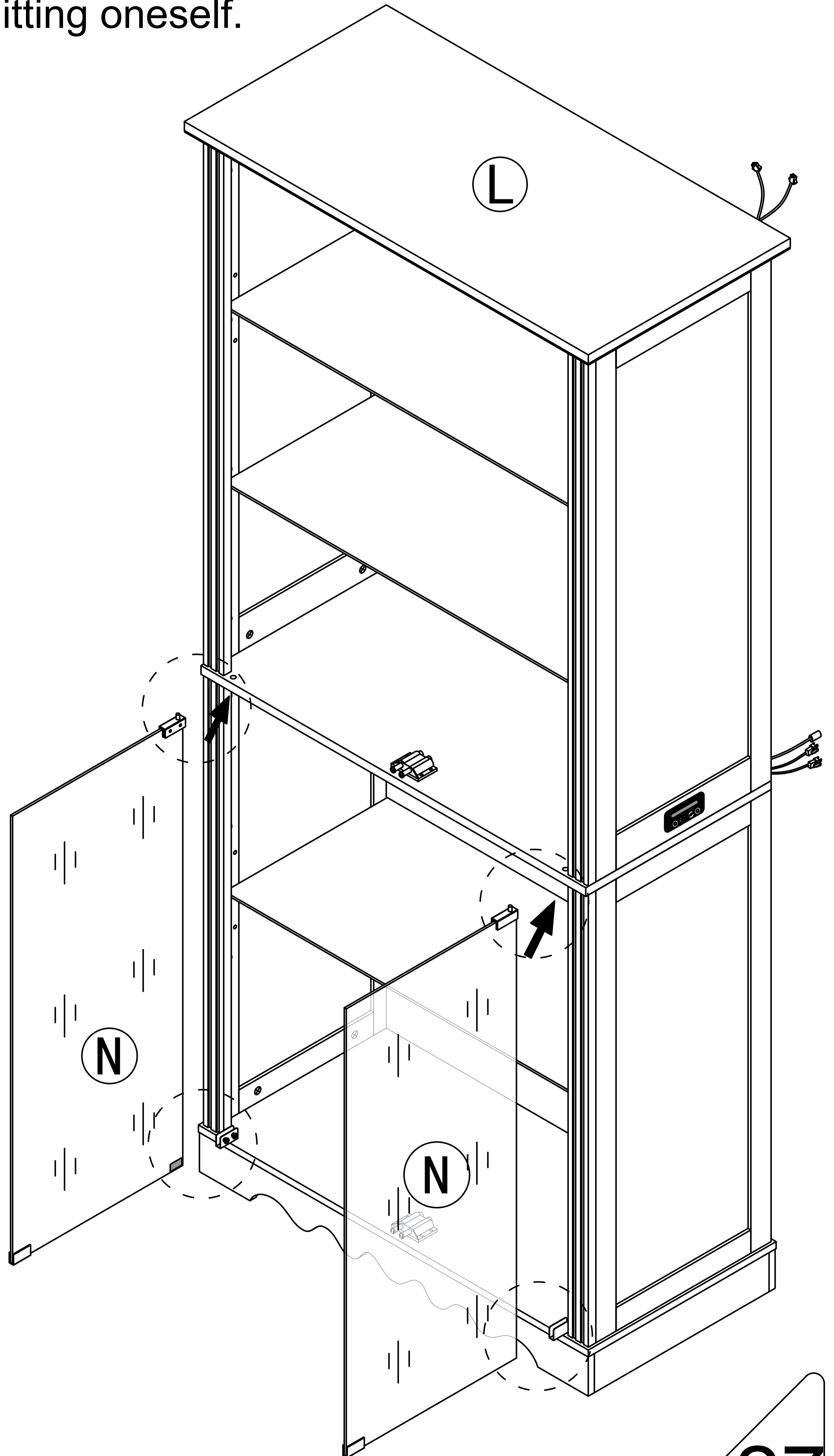
second

After installing the glass door, place the black gasket on the side where the screws are installed

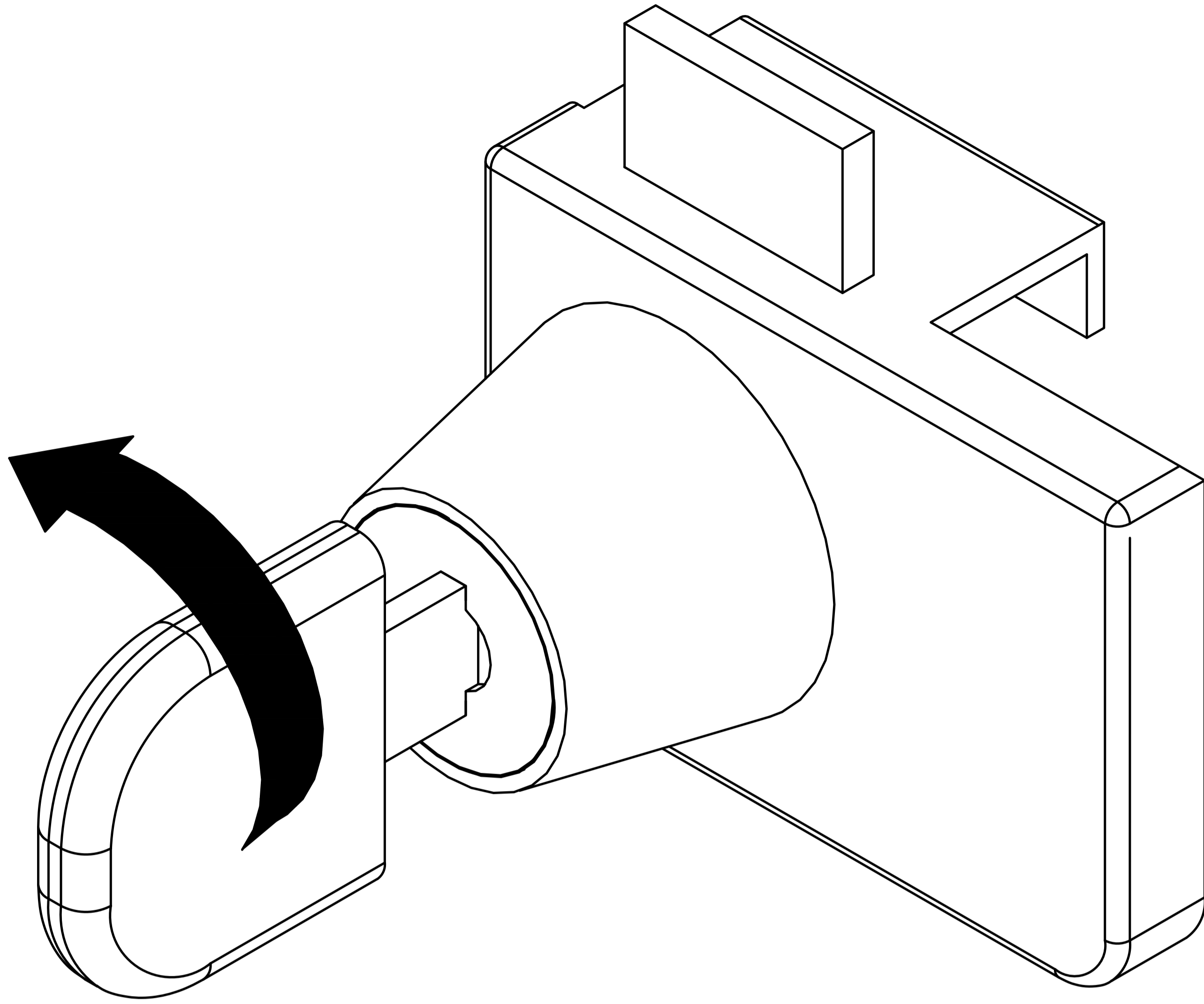


third

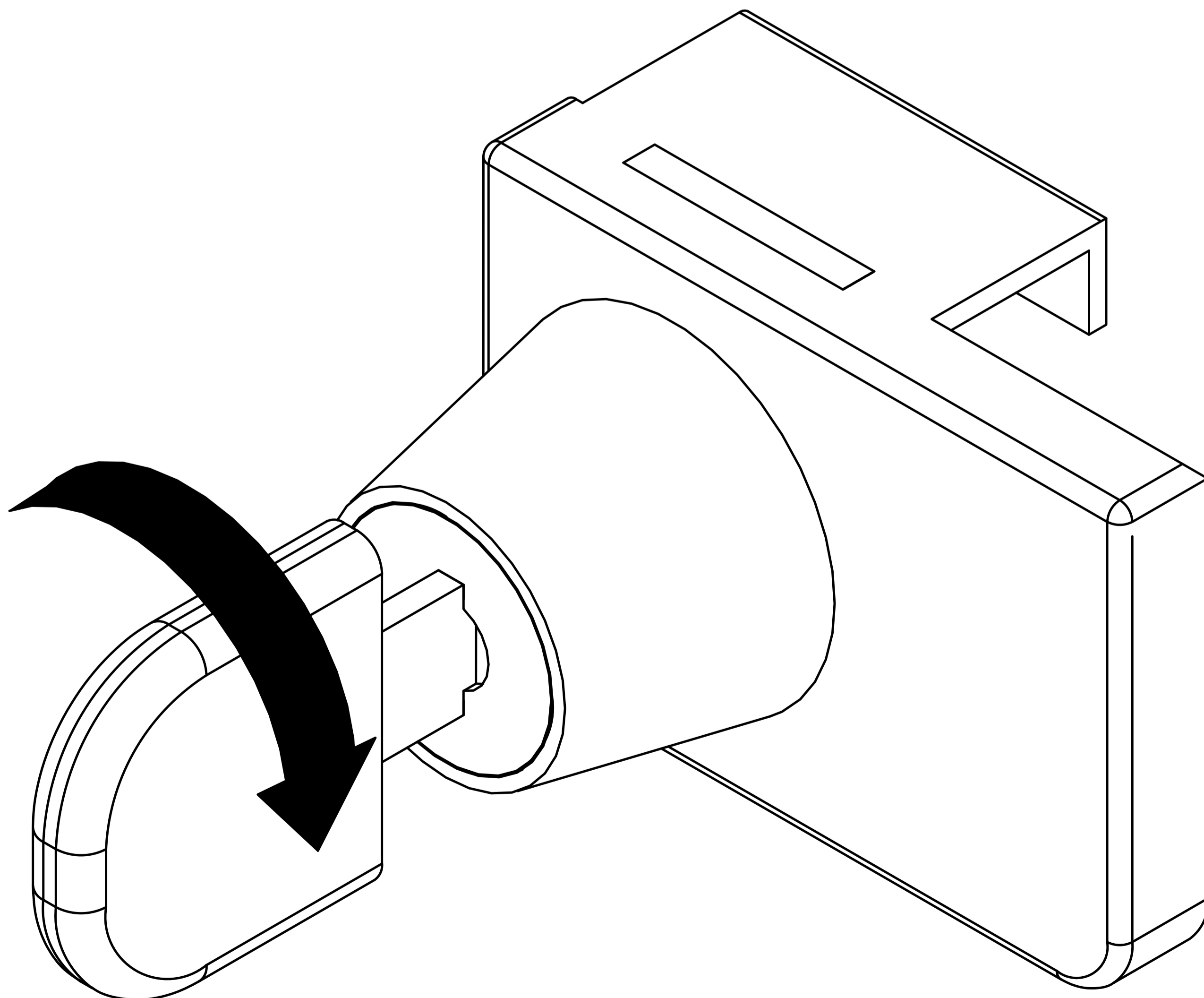
Locking screw



Tip: Turning the door lock to the right will close it

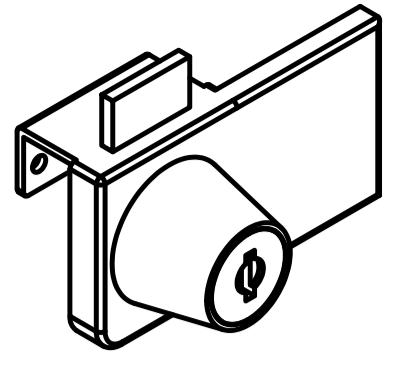


Tip: Turning the door lock to the left opens it



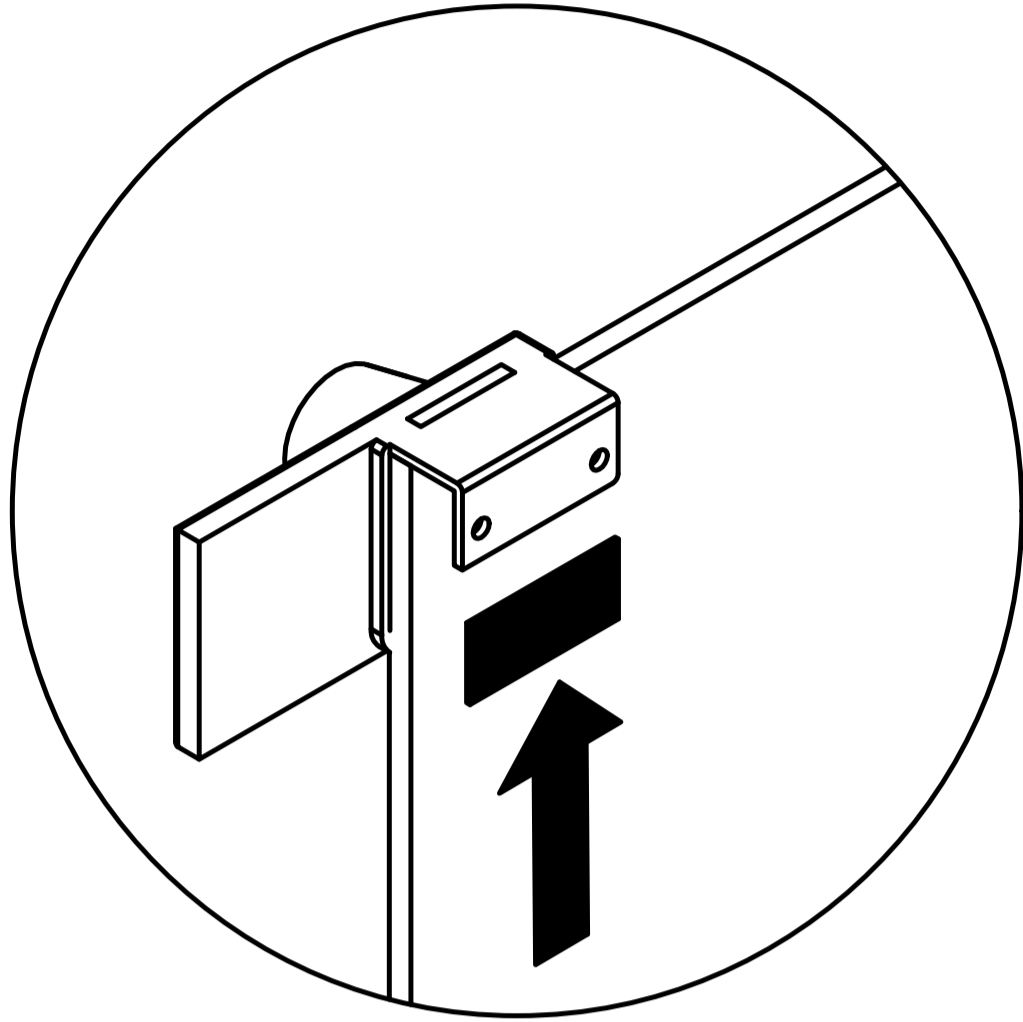
Step 35

10

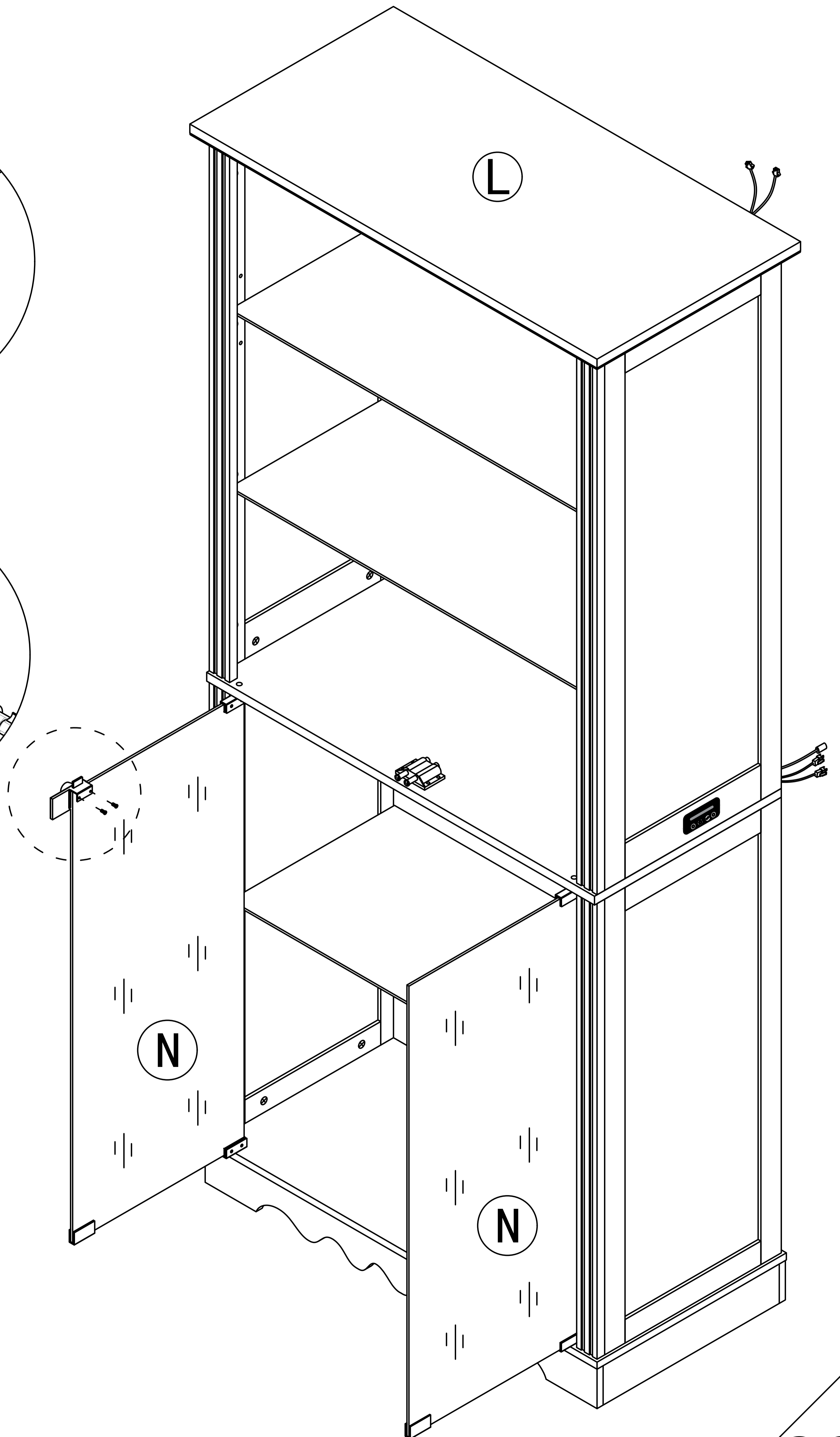
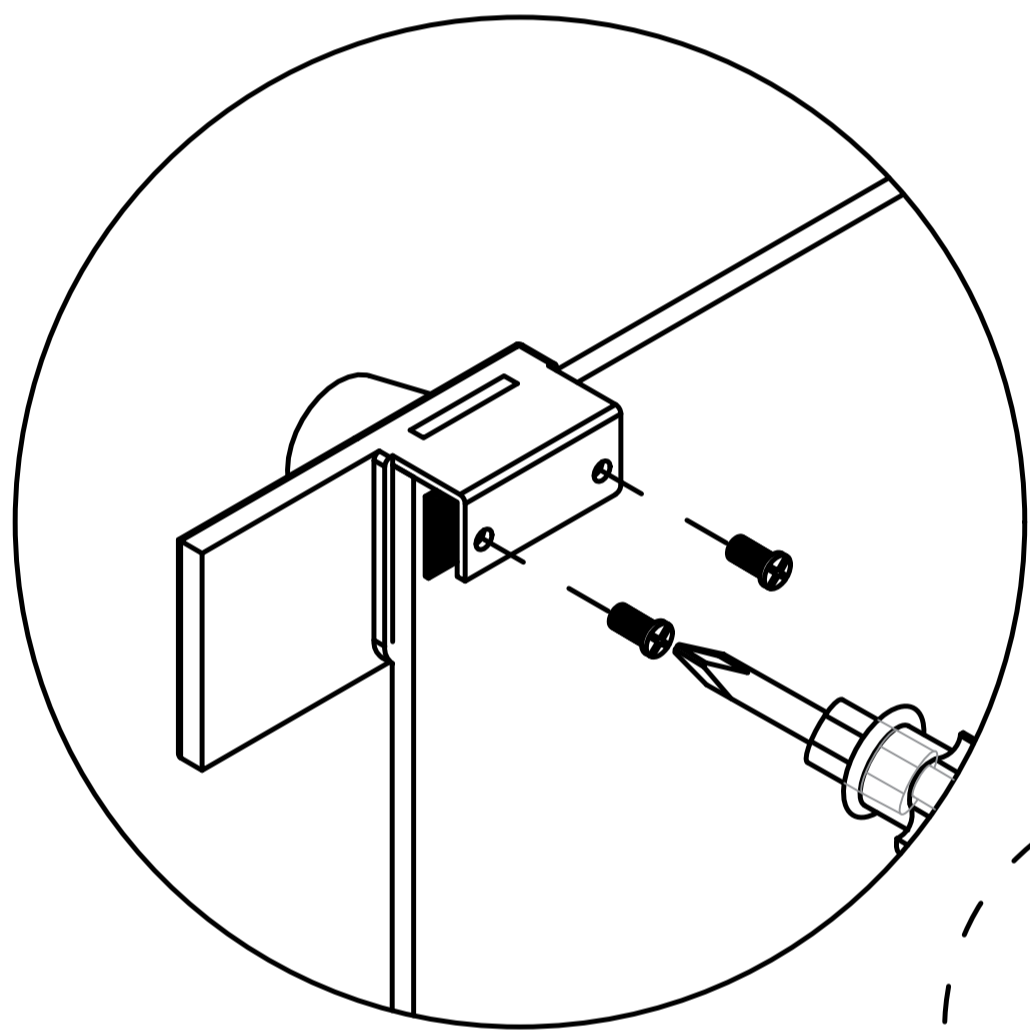


x1

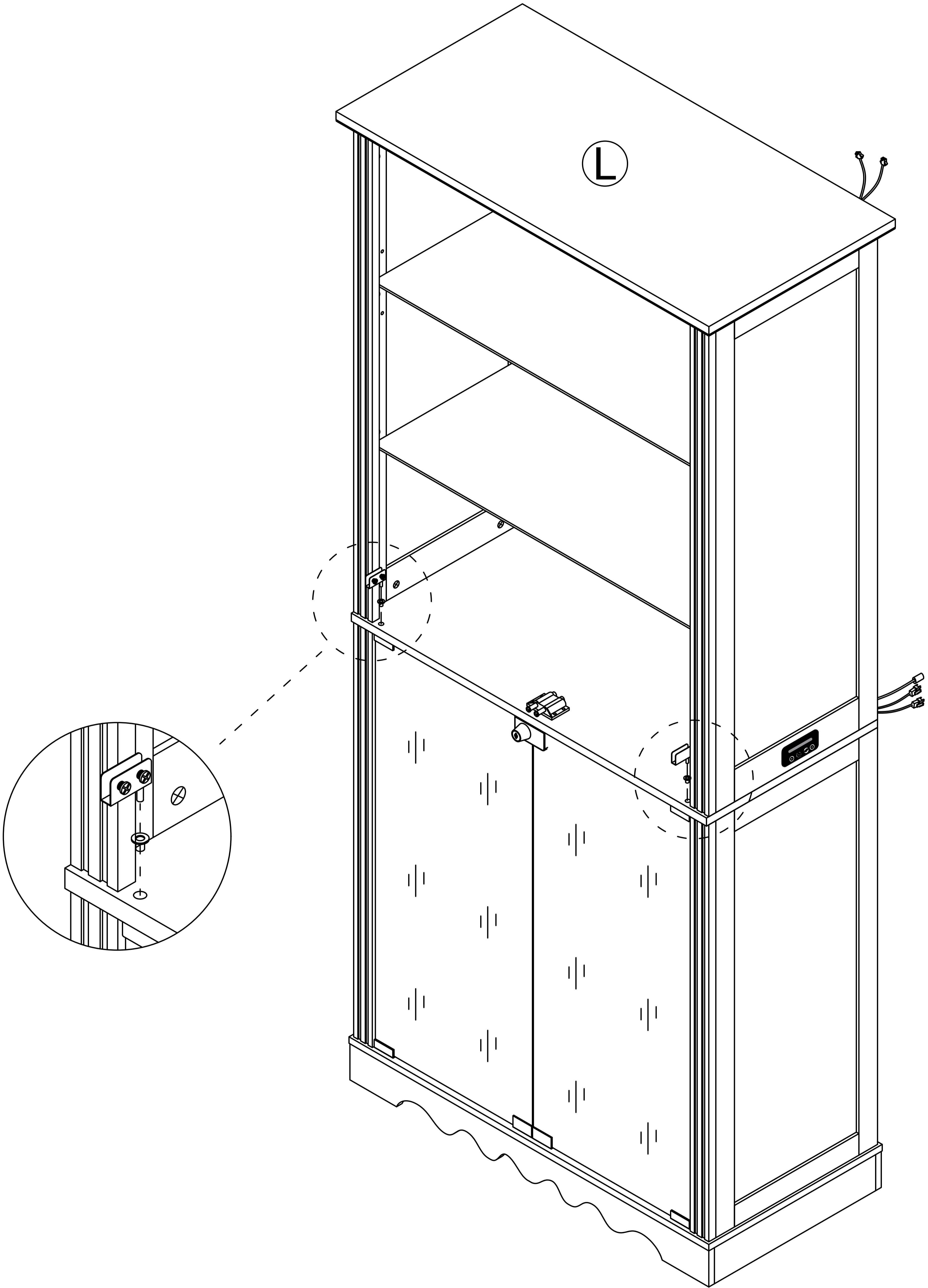
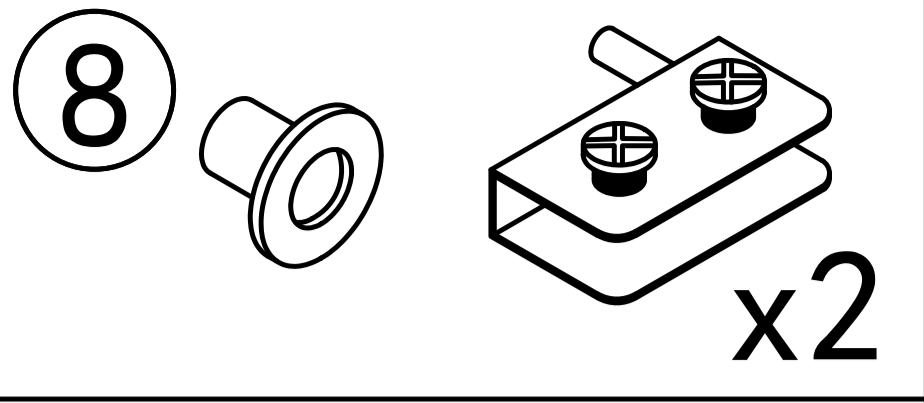
first



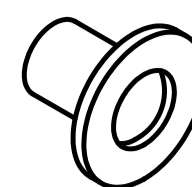
second



Step 36



8

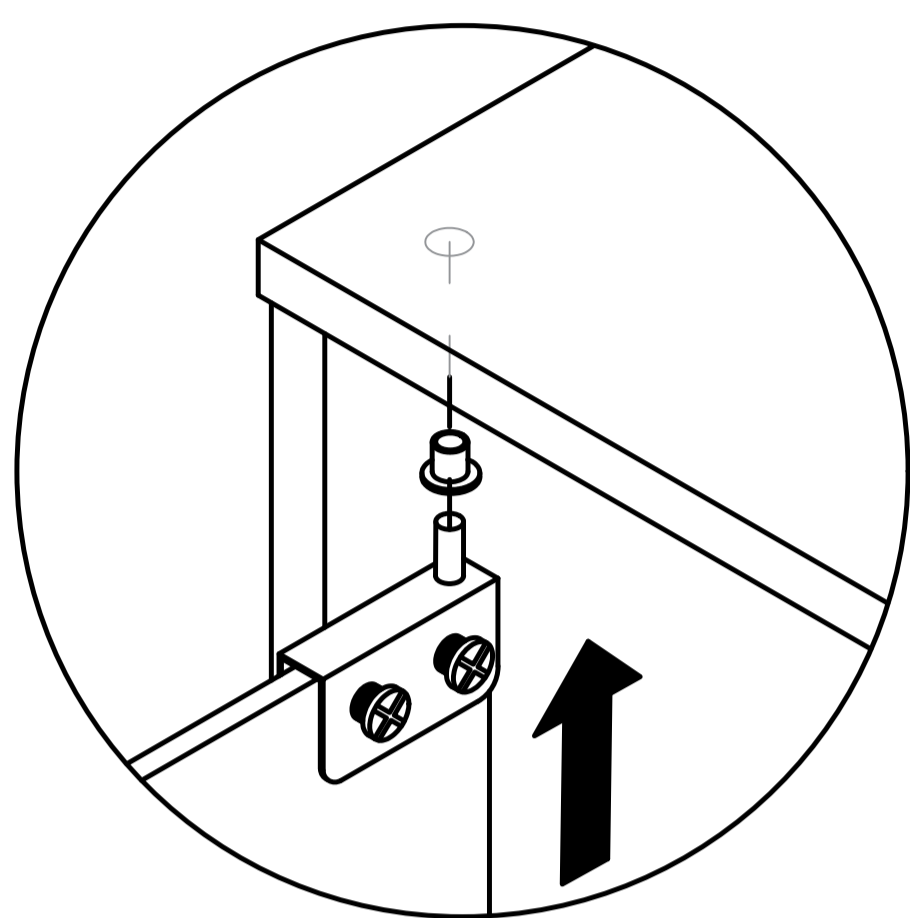


x2

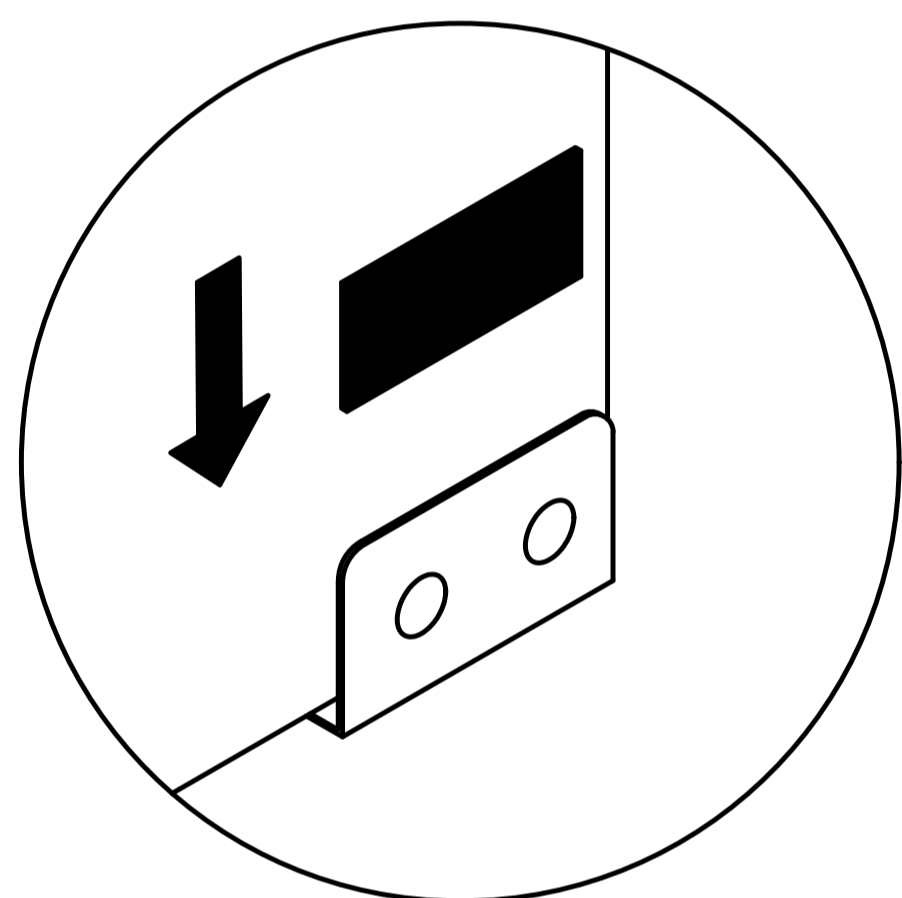
Step 37

Pay attention to the direction of the door hinge during installation

When installing a glass door, it is recommended to have two people install it to avoid the glass door colliding or hitting oneself.

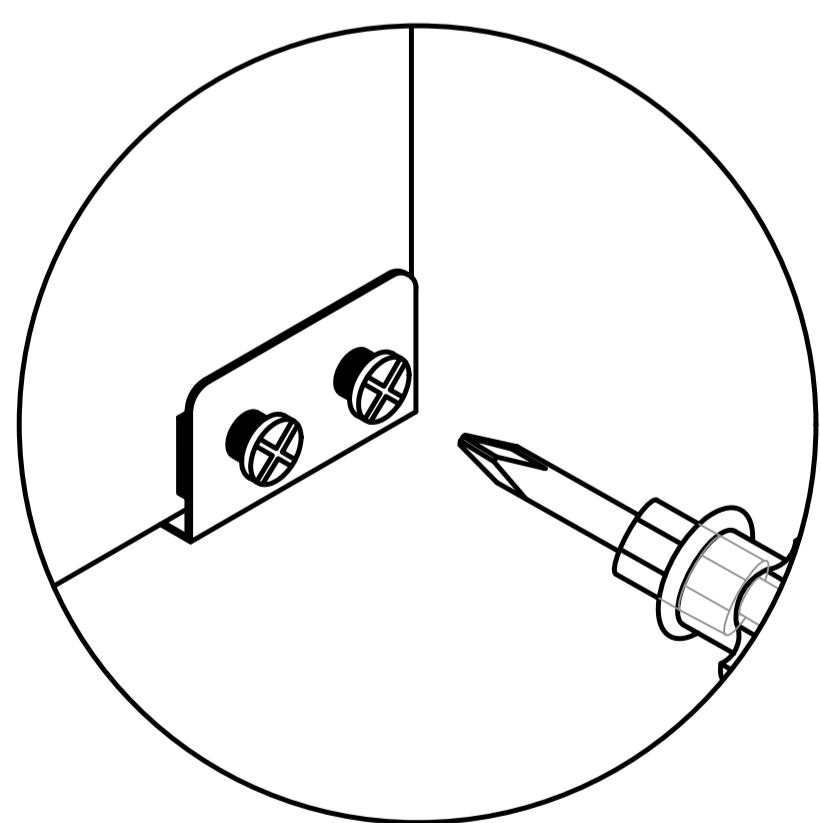


first



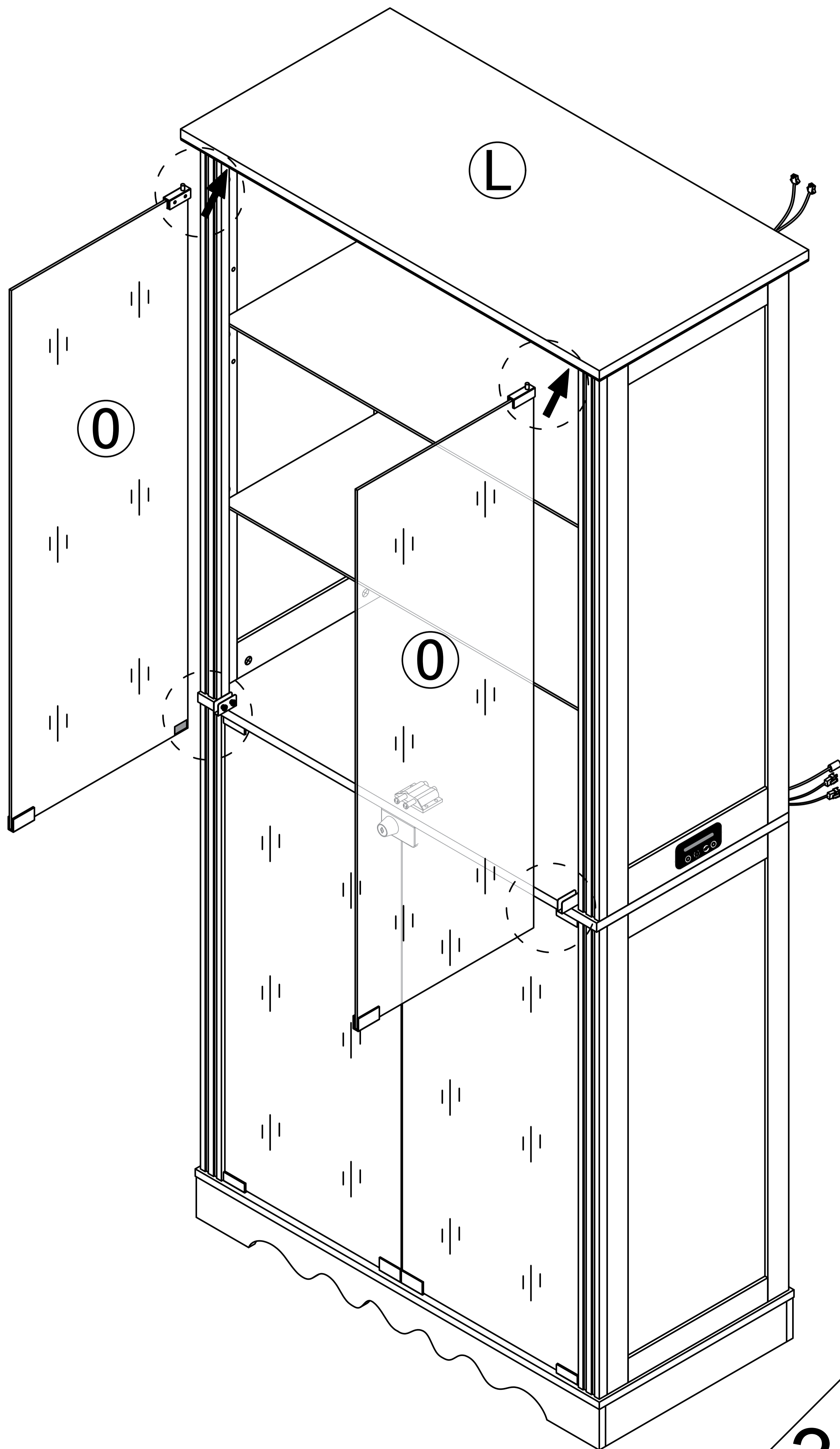
second

After installing the glass door, place the black gasket on the side where the screws are installed



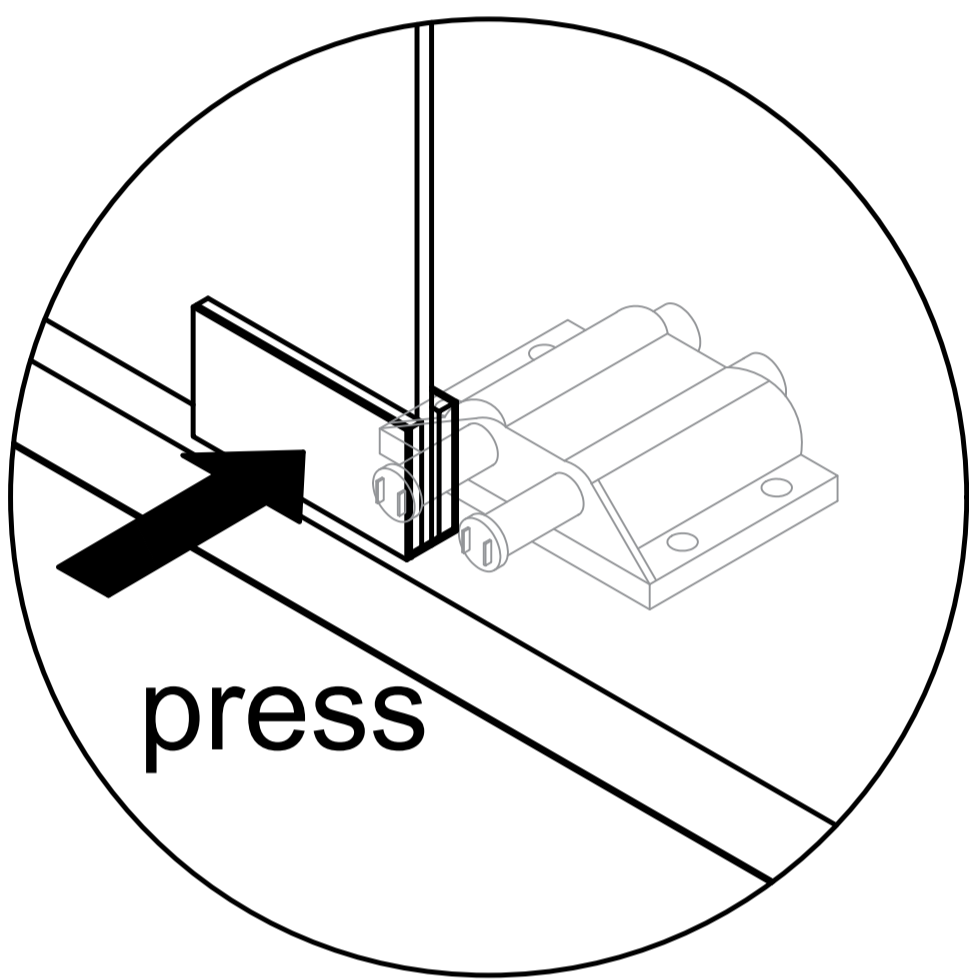
third

Locking screw

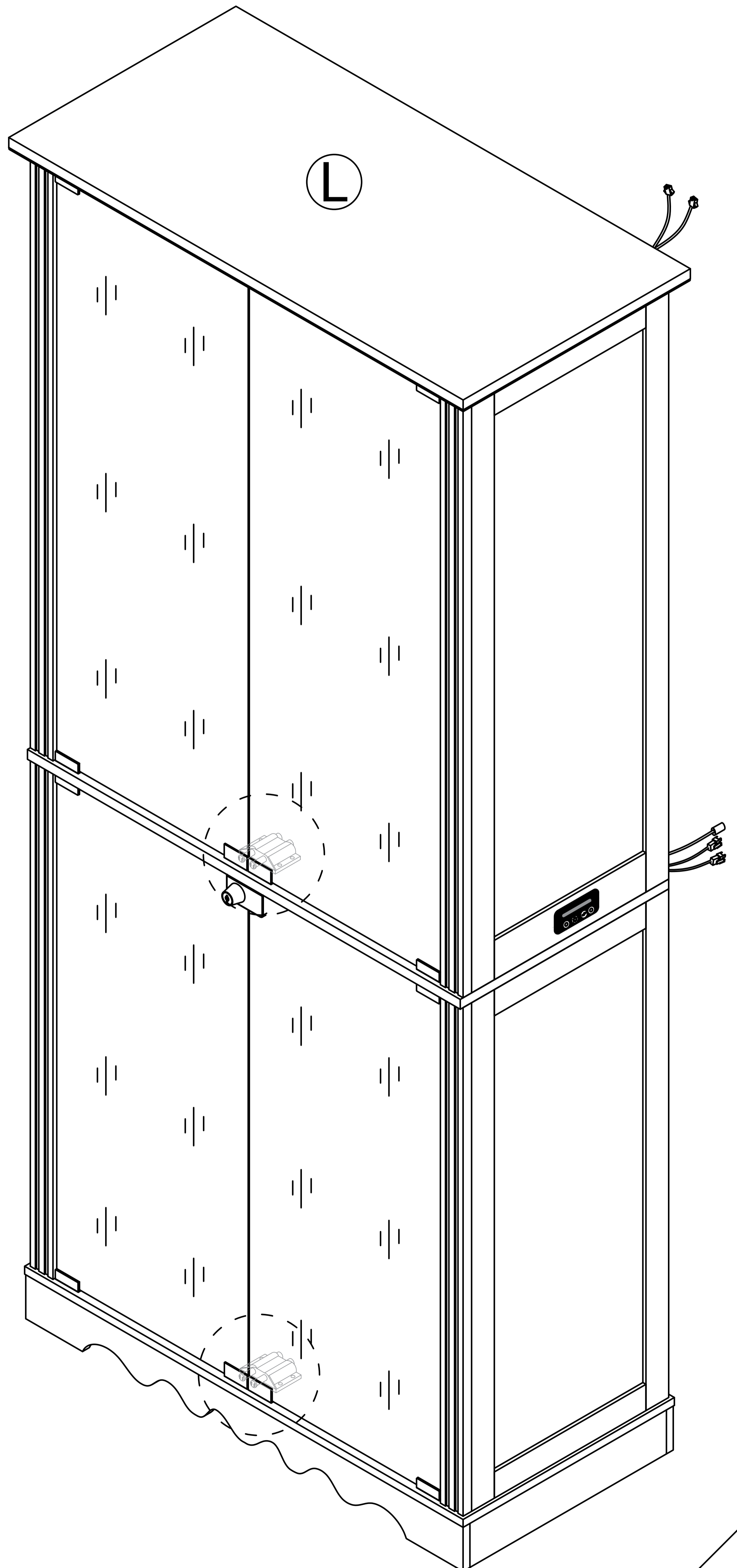
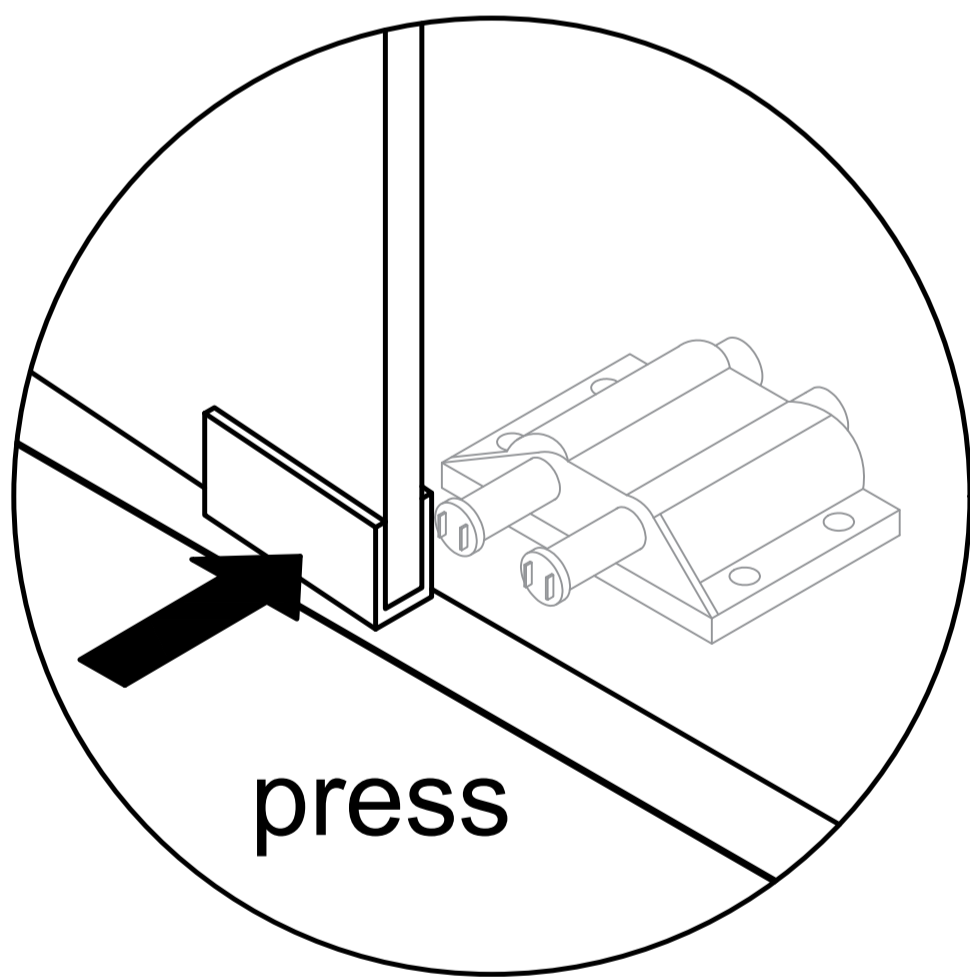


Step 38

Open the glass door

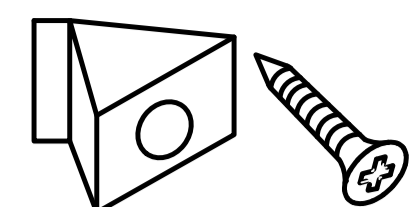


Close the glass door

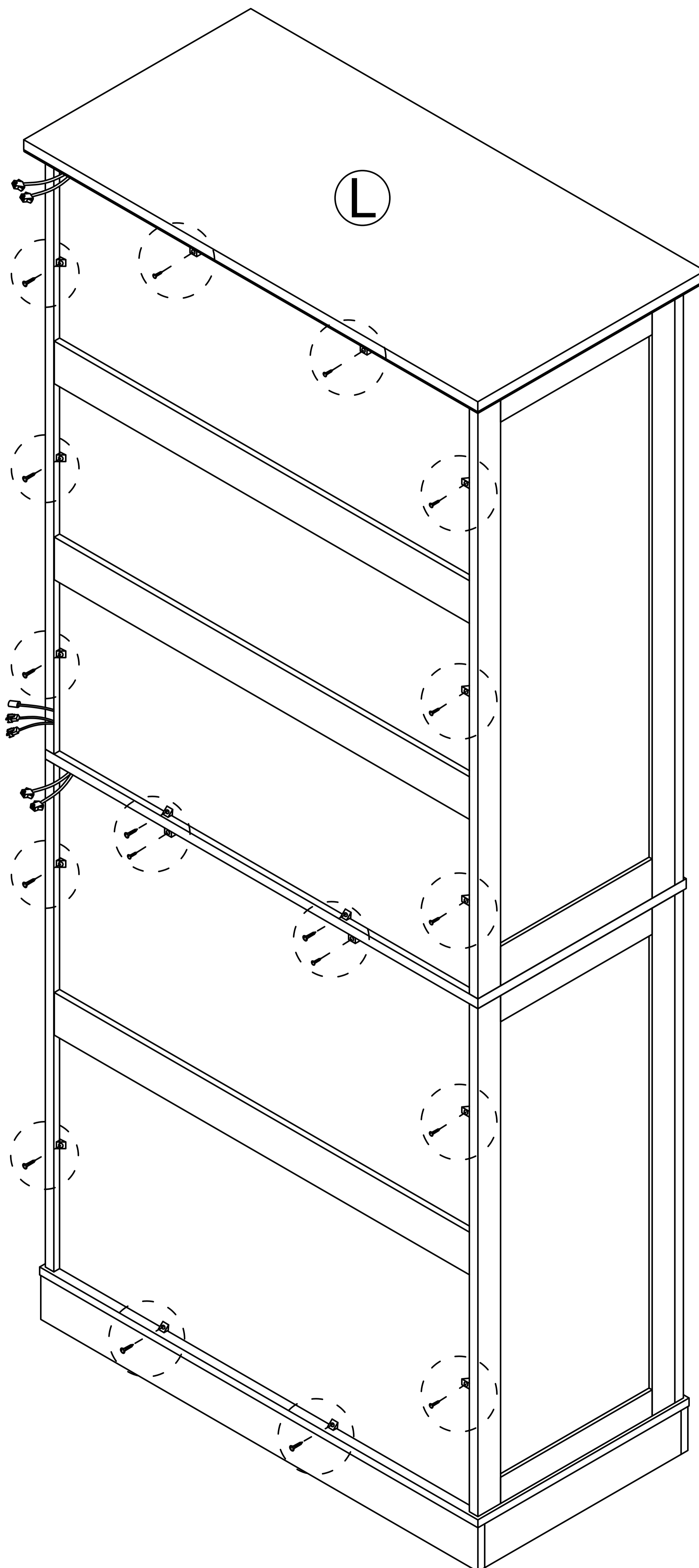
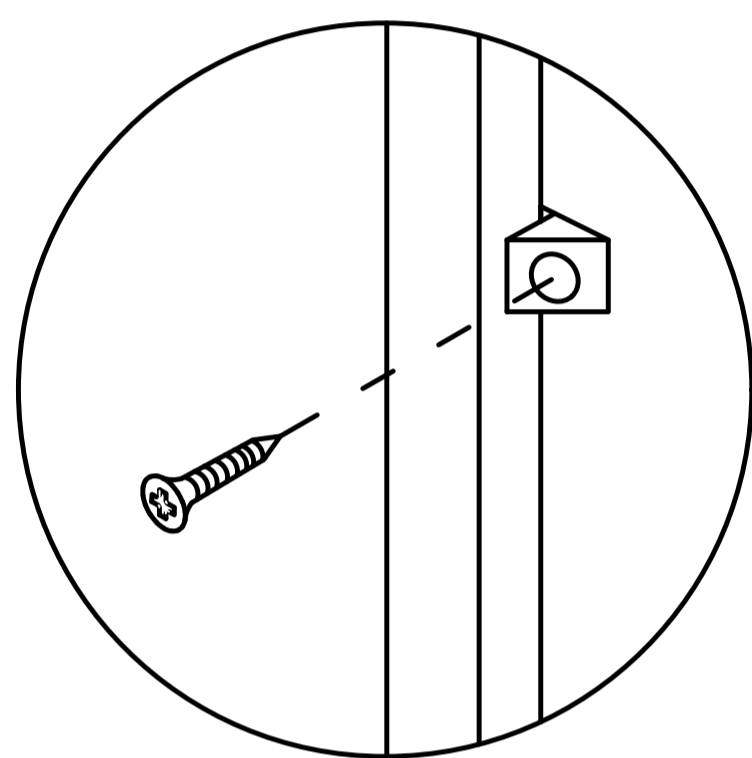


Step 39

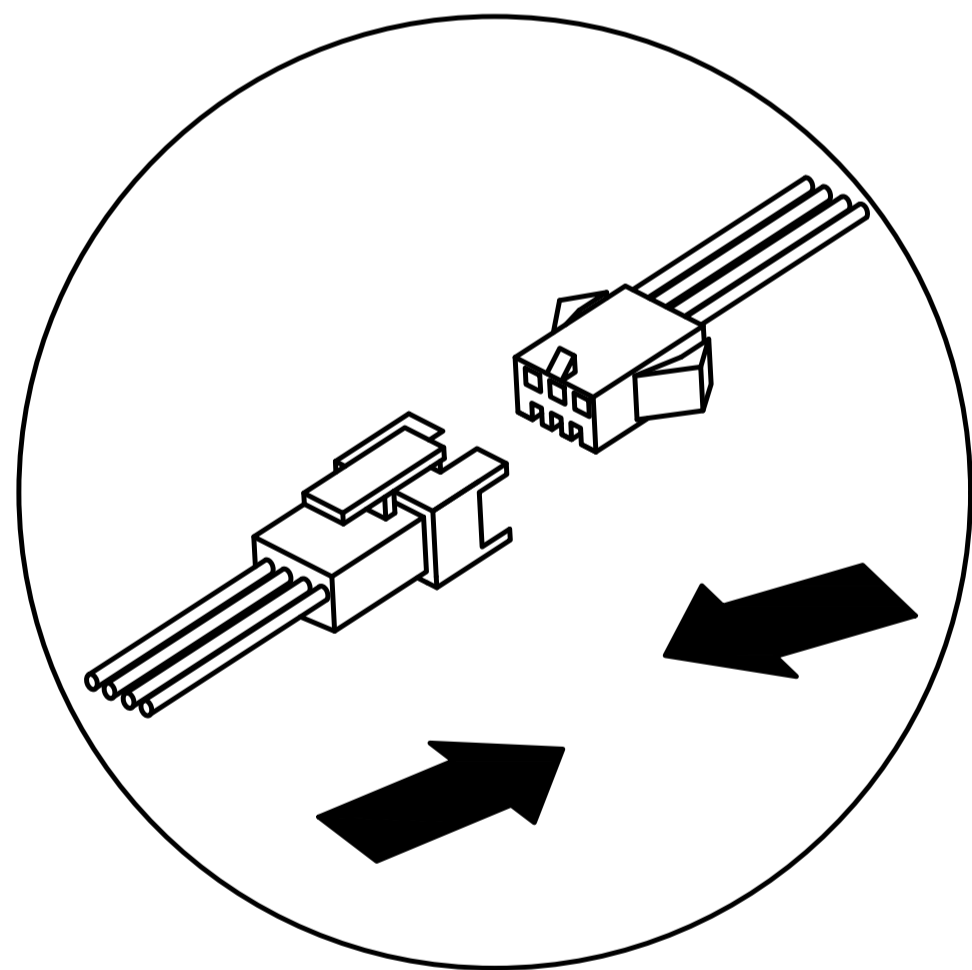
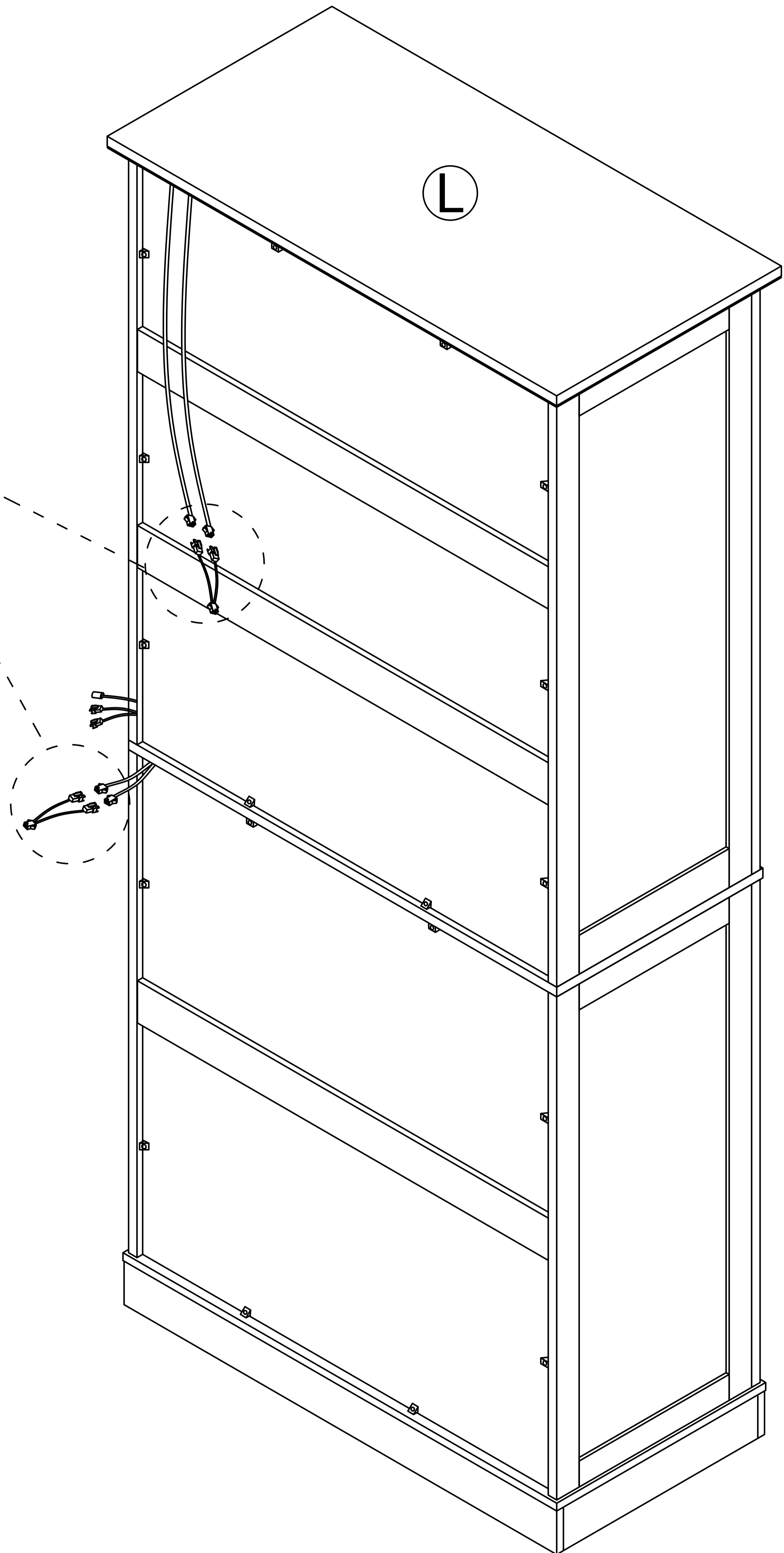
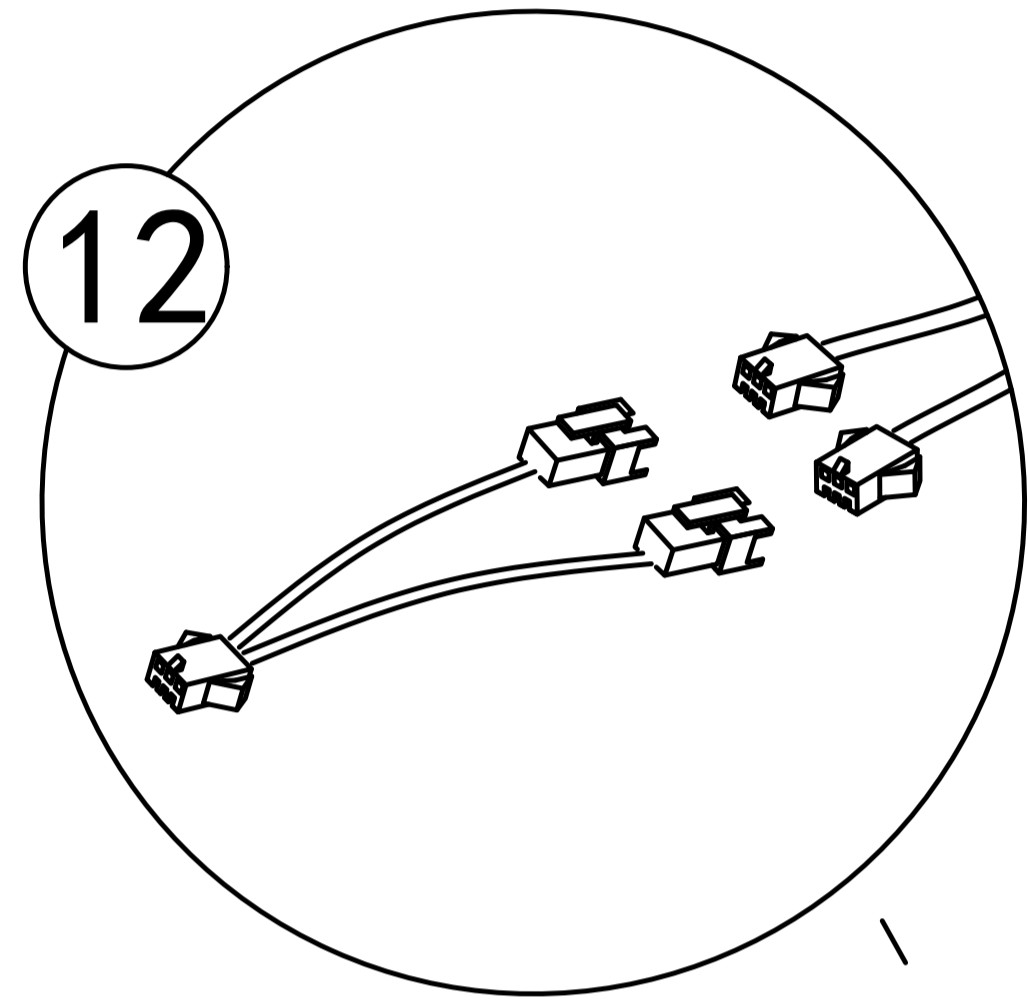
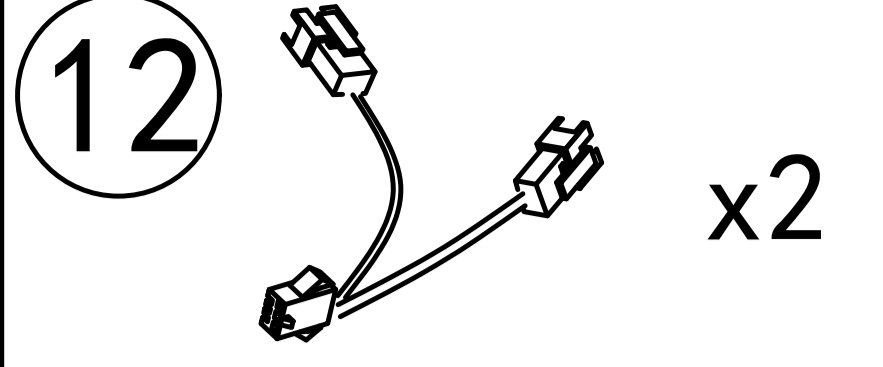
5



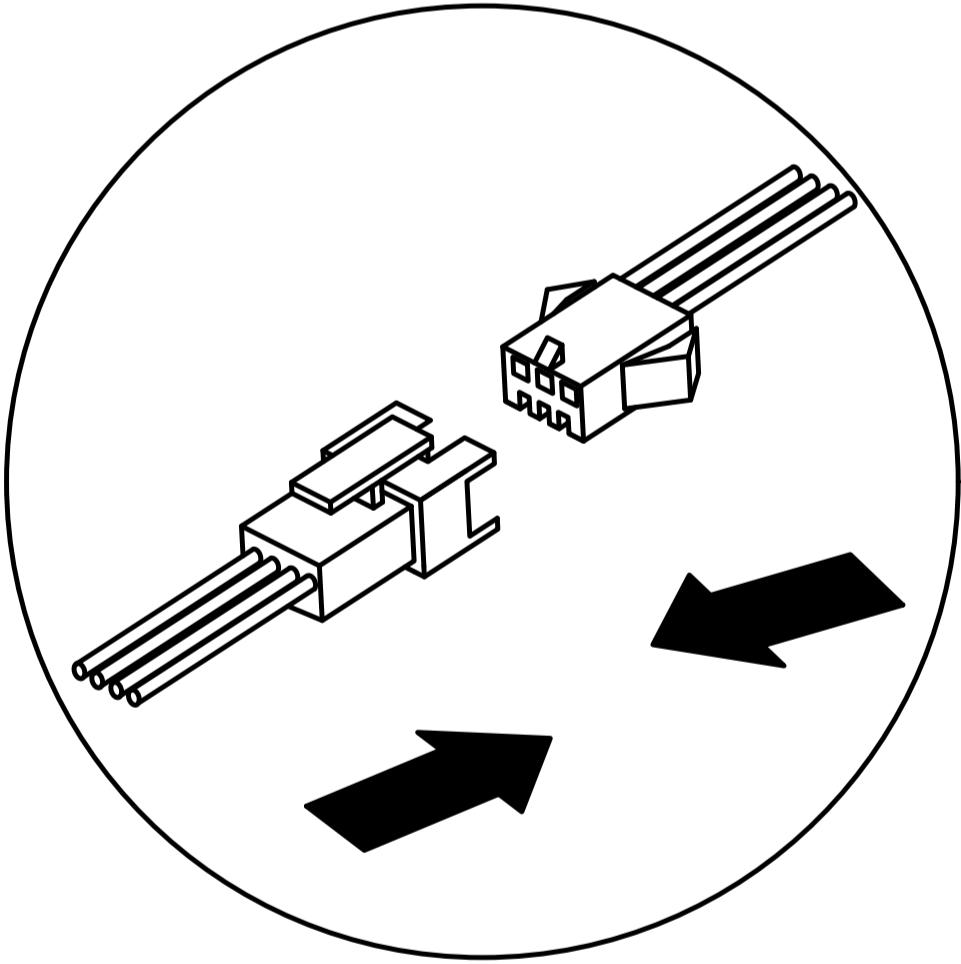
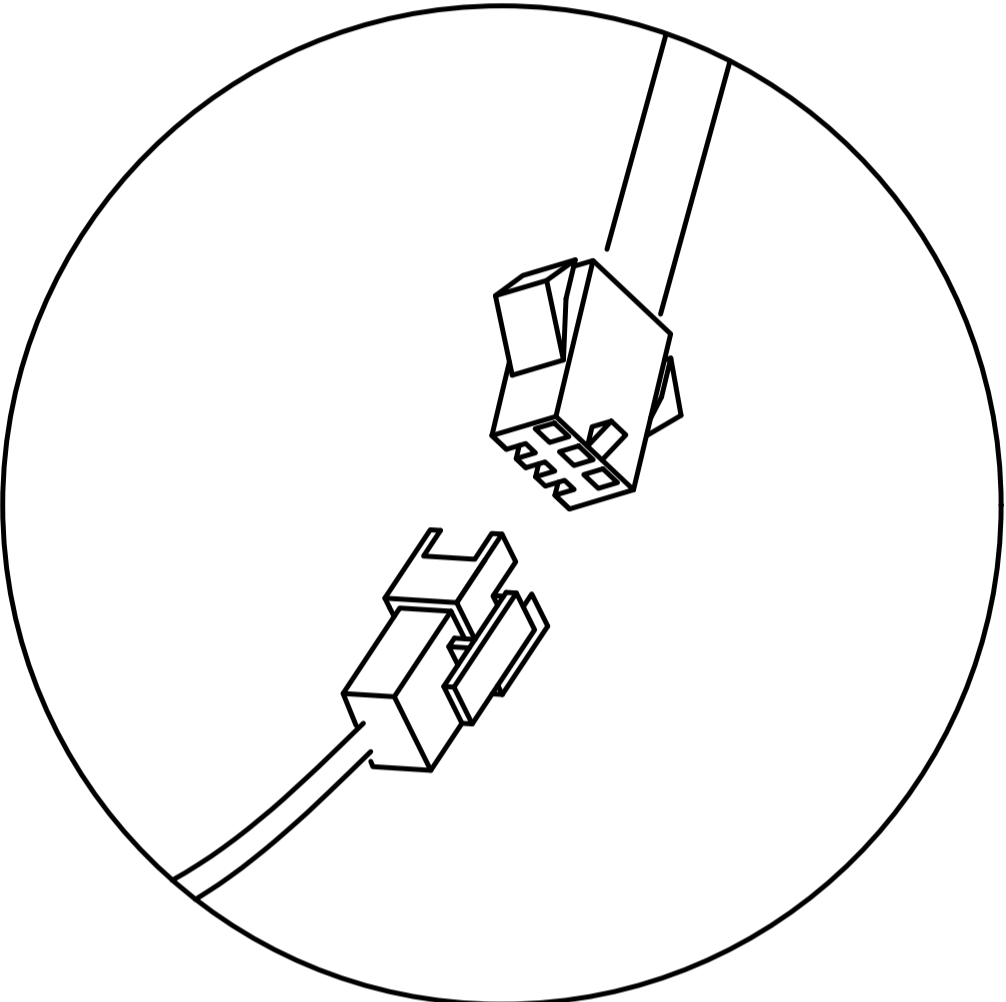
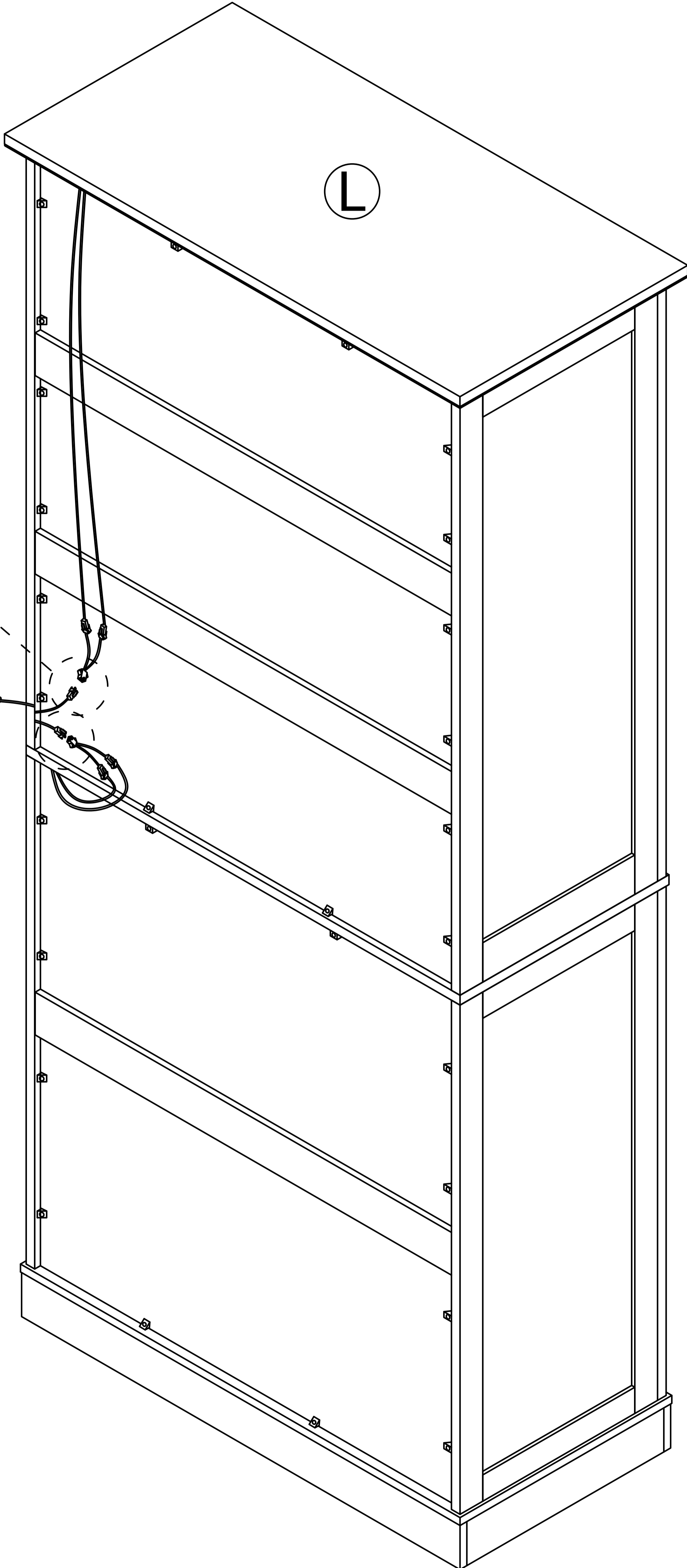
x18



Step 40

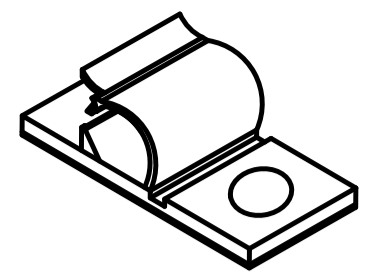


Step 41

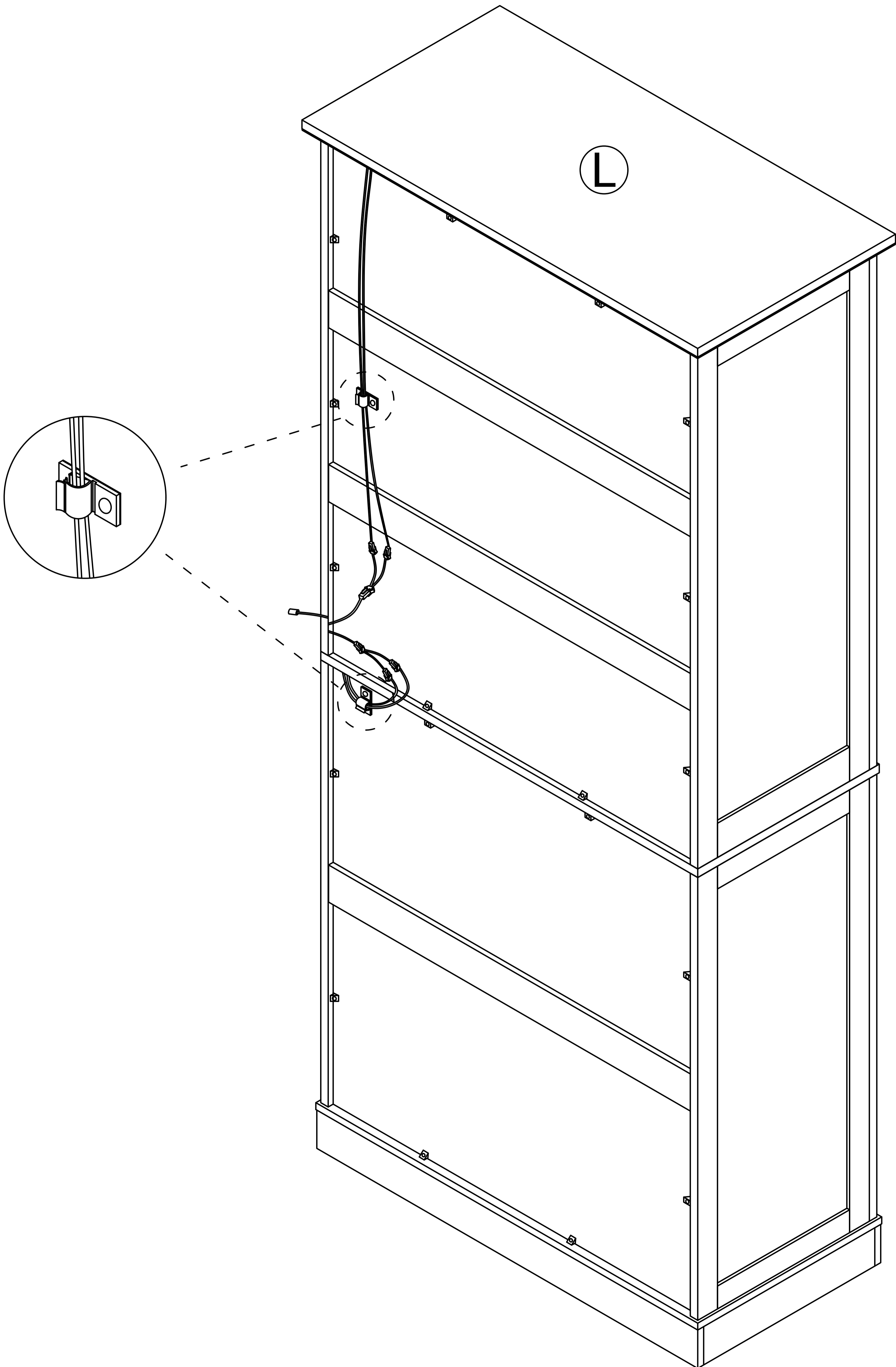


Step 42

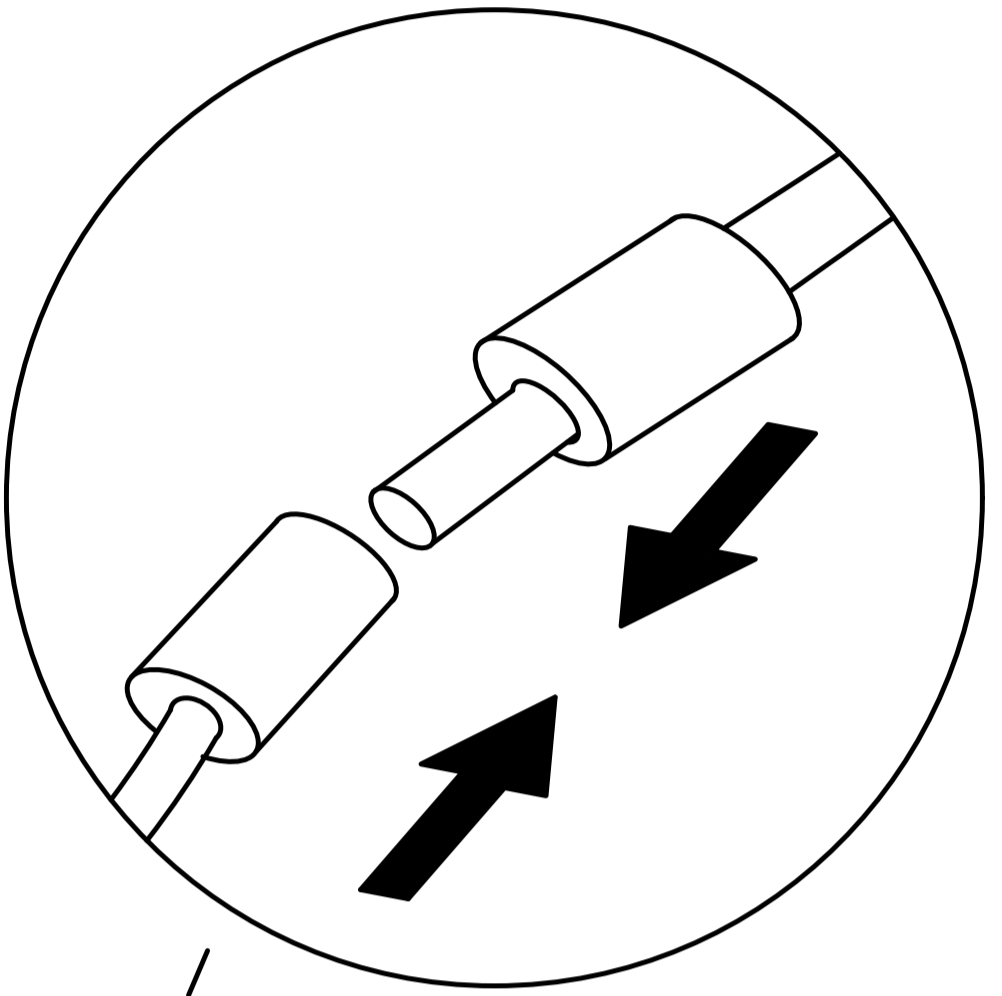
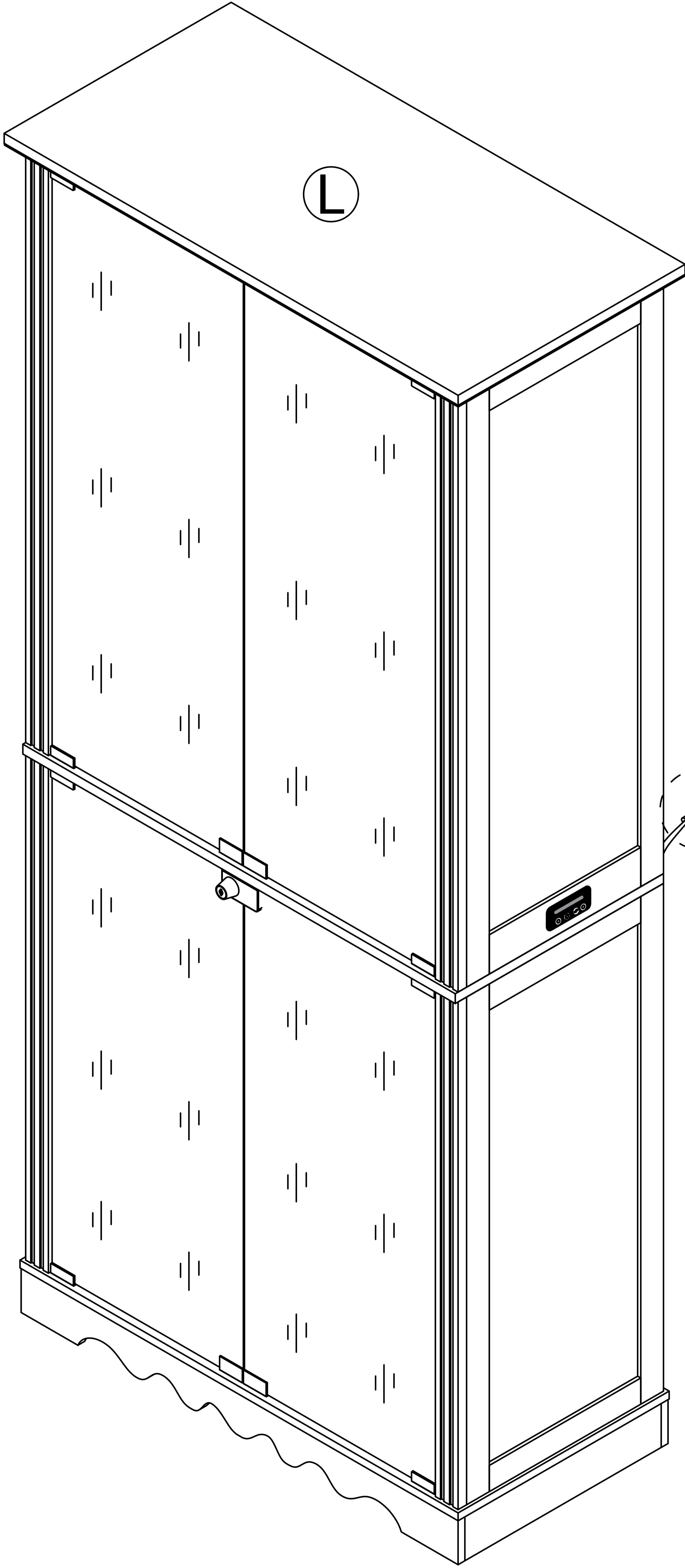
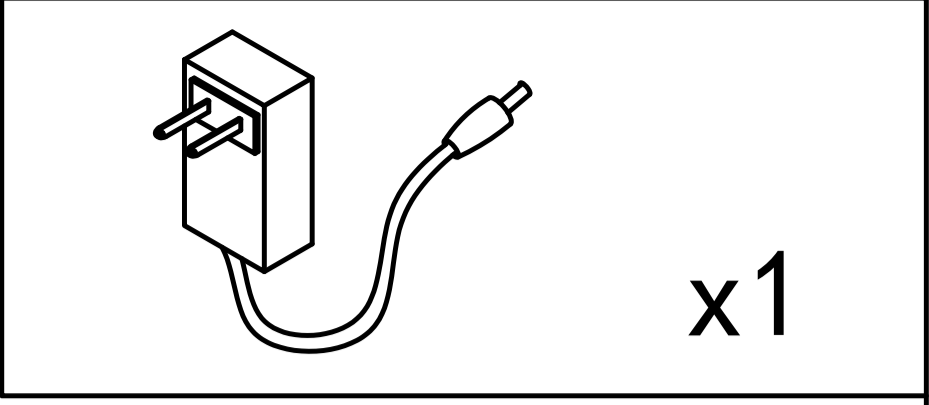
6



x2



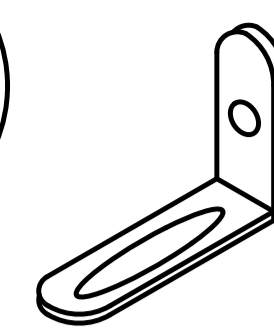
Step 43



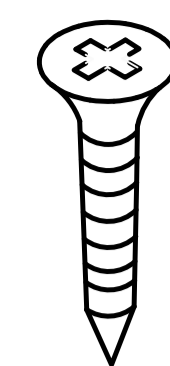
Step 44

Install as required

11



x2

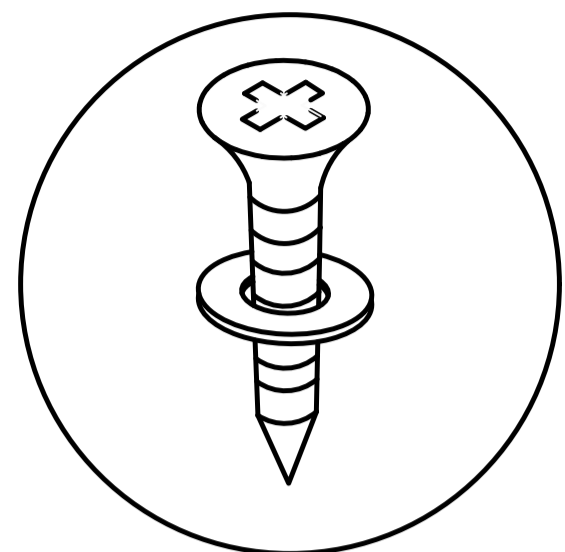


x2

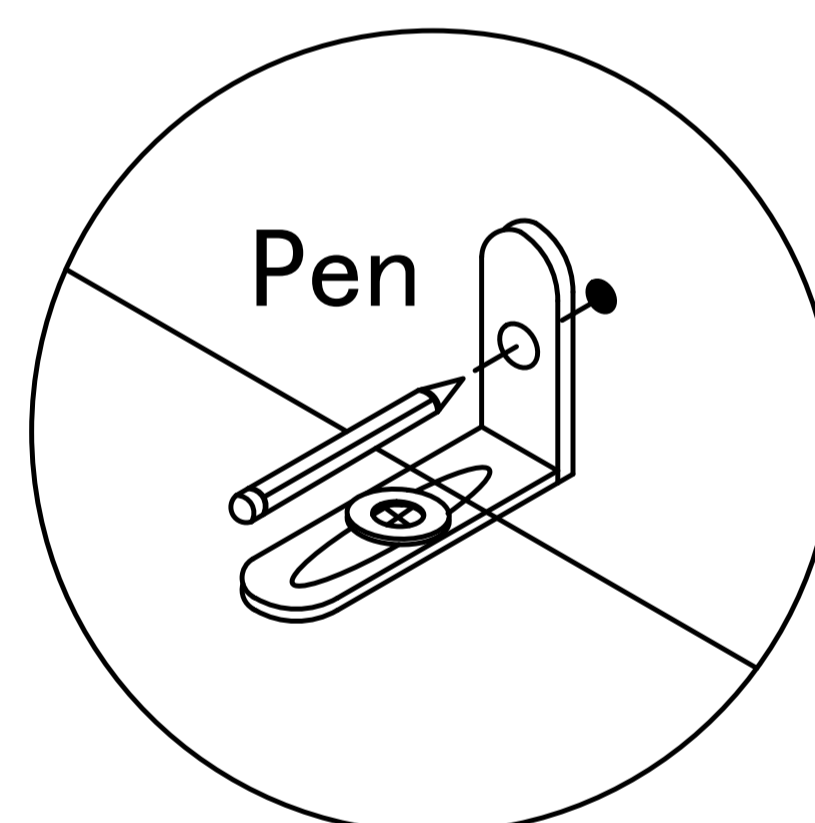
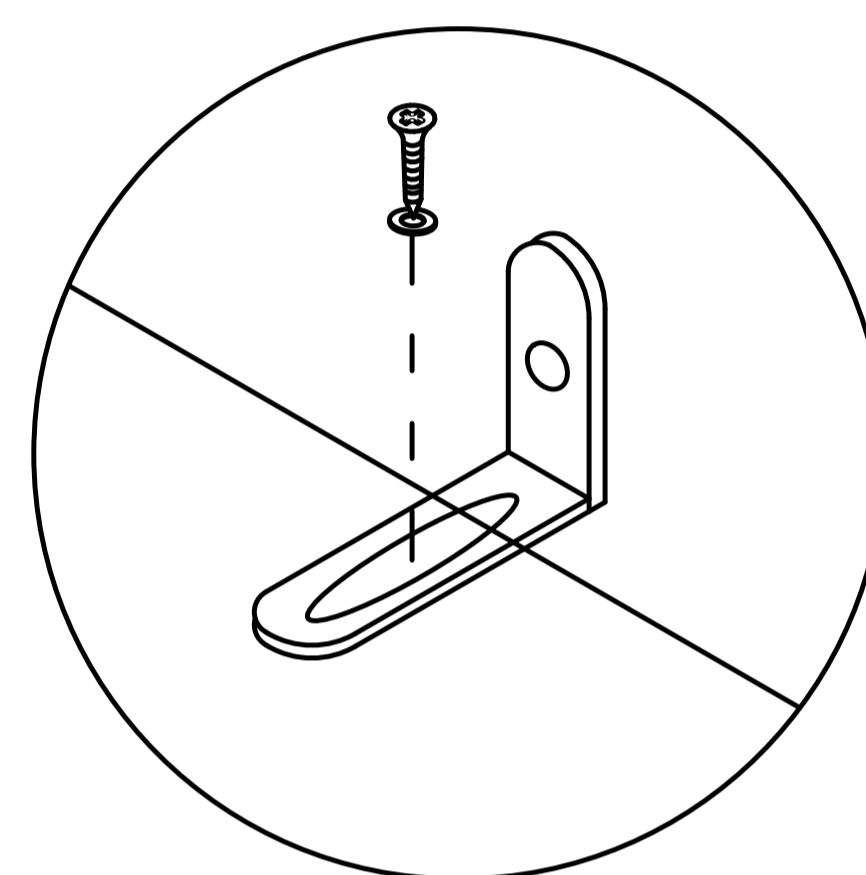
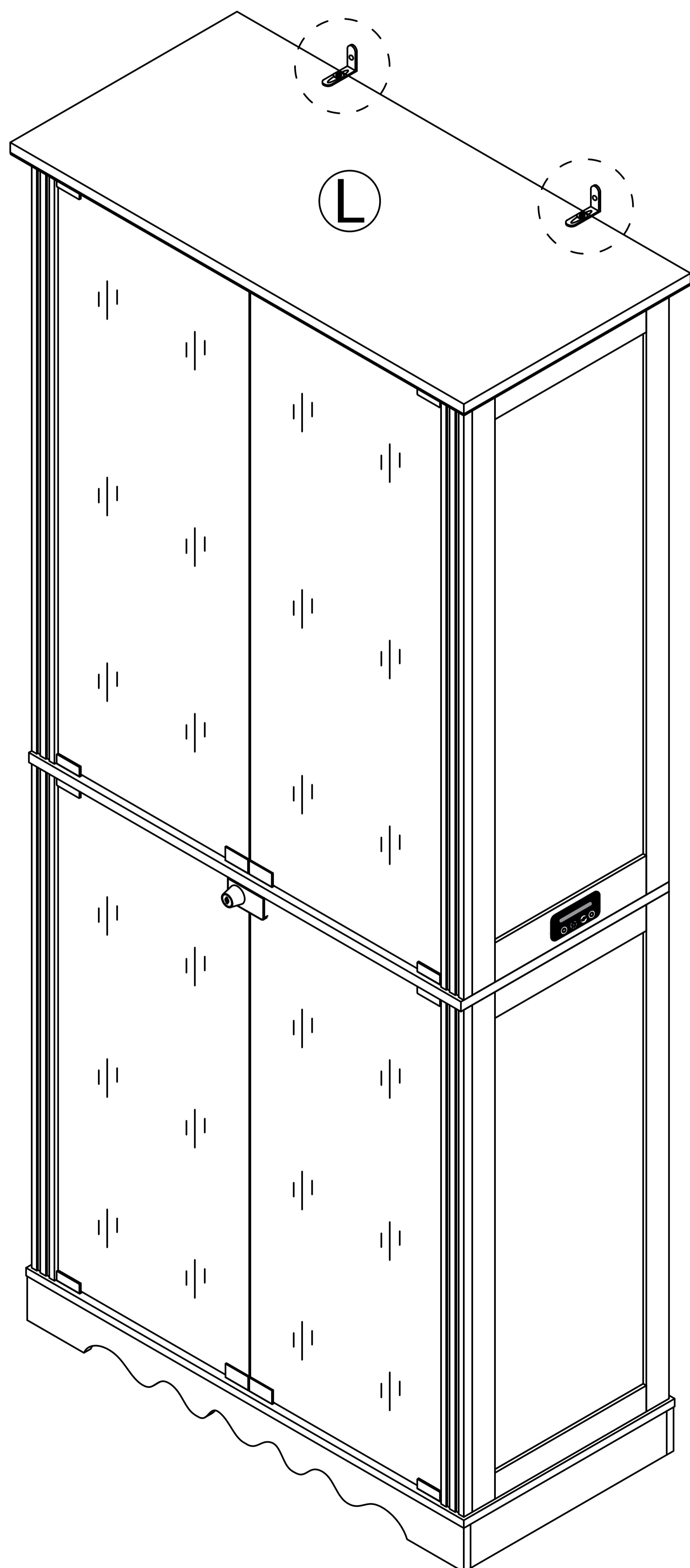


x2

3.5x14mm

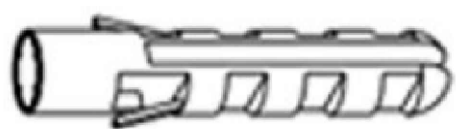
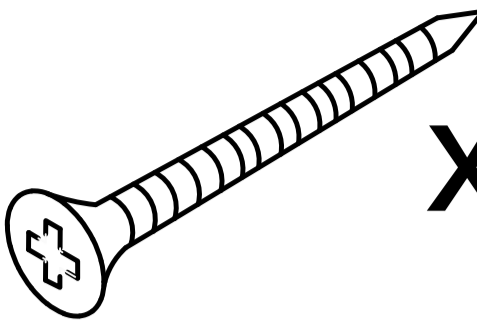



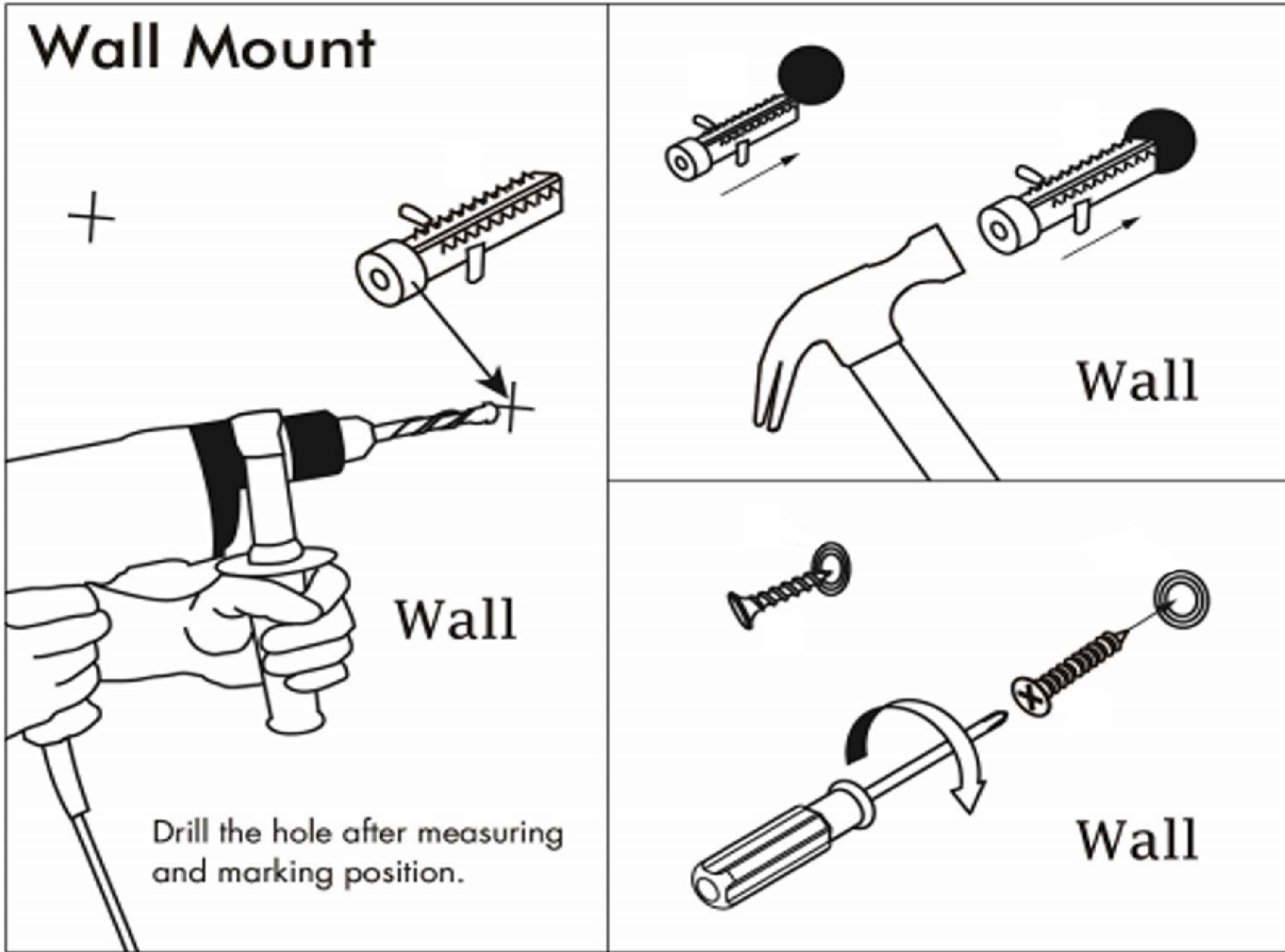
Install the anti fall hardware on the cabinet as shown in the picture first



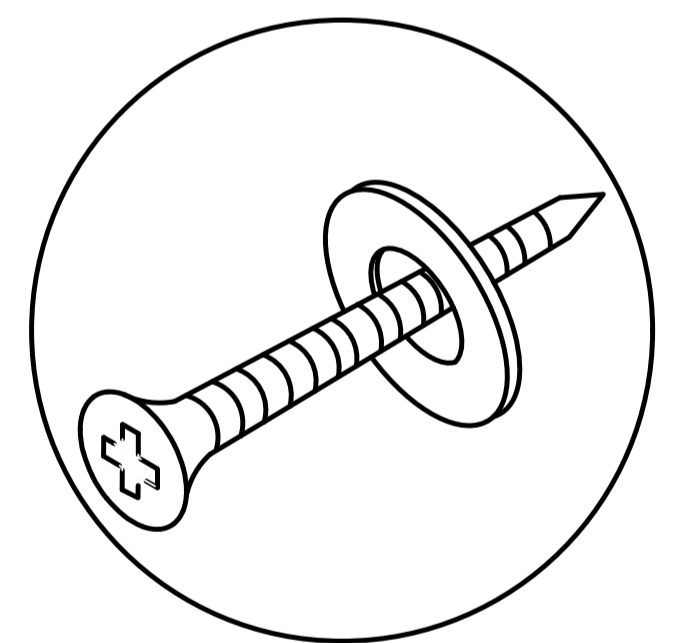
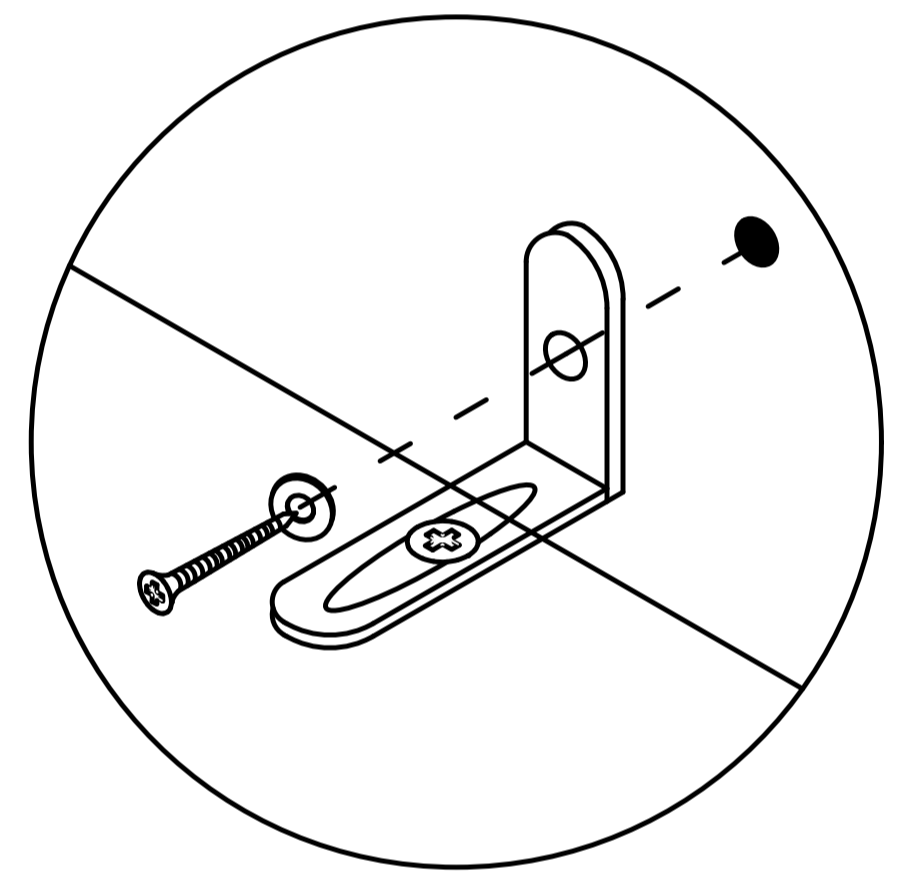
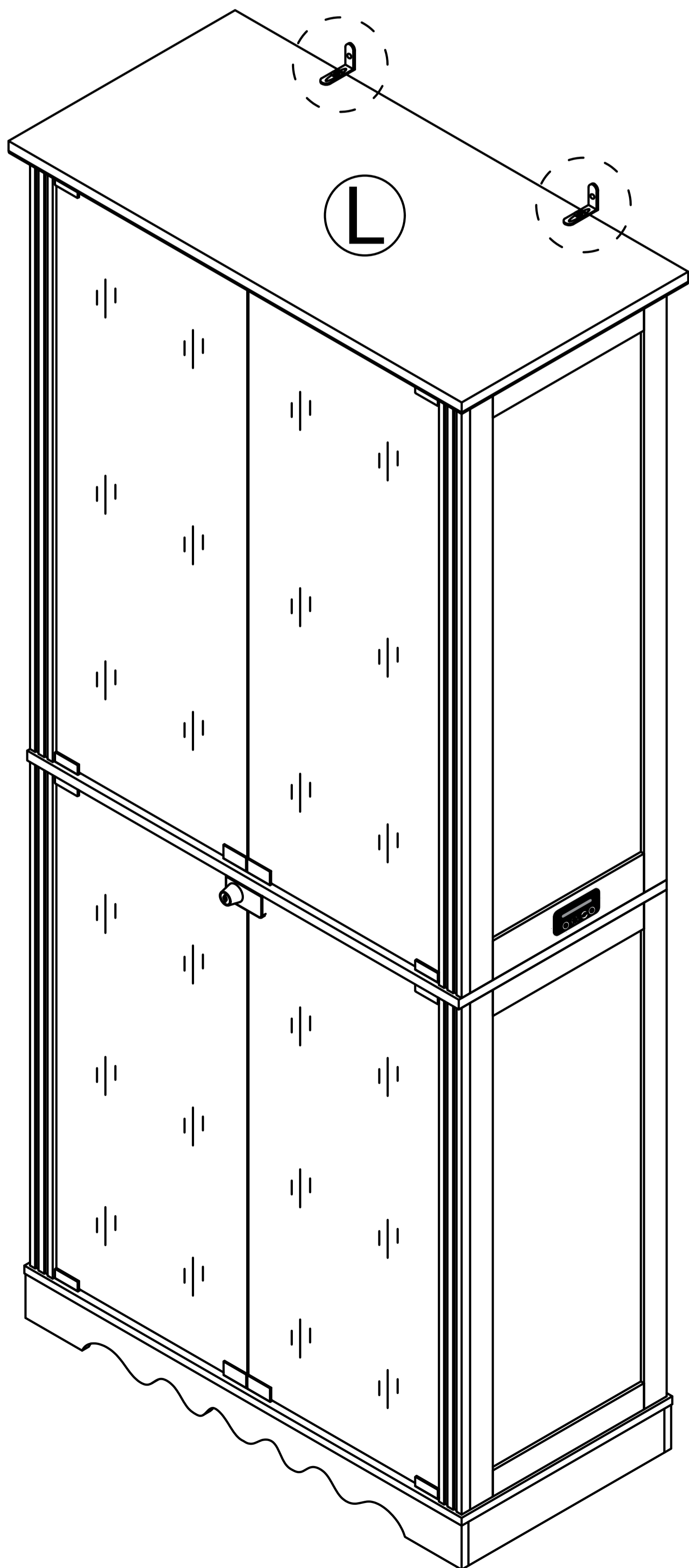
Then mark the wall with a pen through the holes in the anti-fall hardware

Step 45

- 11  x2
-  x2  x2



Drill the hole with an electric drill and punch in the colloidal particles



4x45mm

Fix the dressing table to the wall

User's Guide

Thank you for purchasing this product.

To use this product, please plug it into a 12V DC power supply.


Please use if the product works normally after connecting to power.

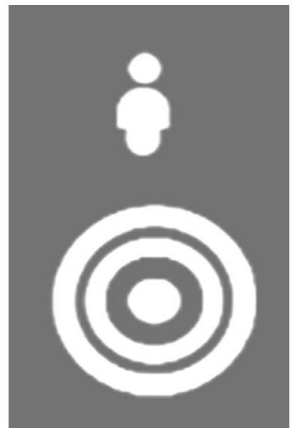
Introduction

The box is an intelligent controller. With 5 touch buttons, it can turn ON/OFF the light and turn ON/OFF the induction function, change light colors, and adjust the light luminance.





Operation

 This touch button is the master switch of the smart box, which can turn off all functions of the box and control the light strips on/off operation. The operation that can be turned on and off with just a light tap. Press and hold to adjust the brightness. Upon first power-up, the default light will be set to white.

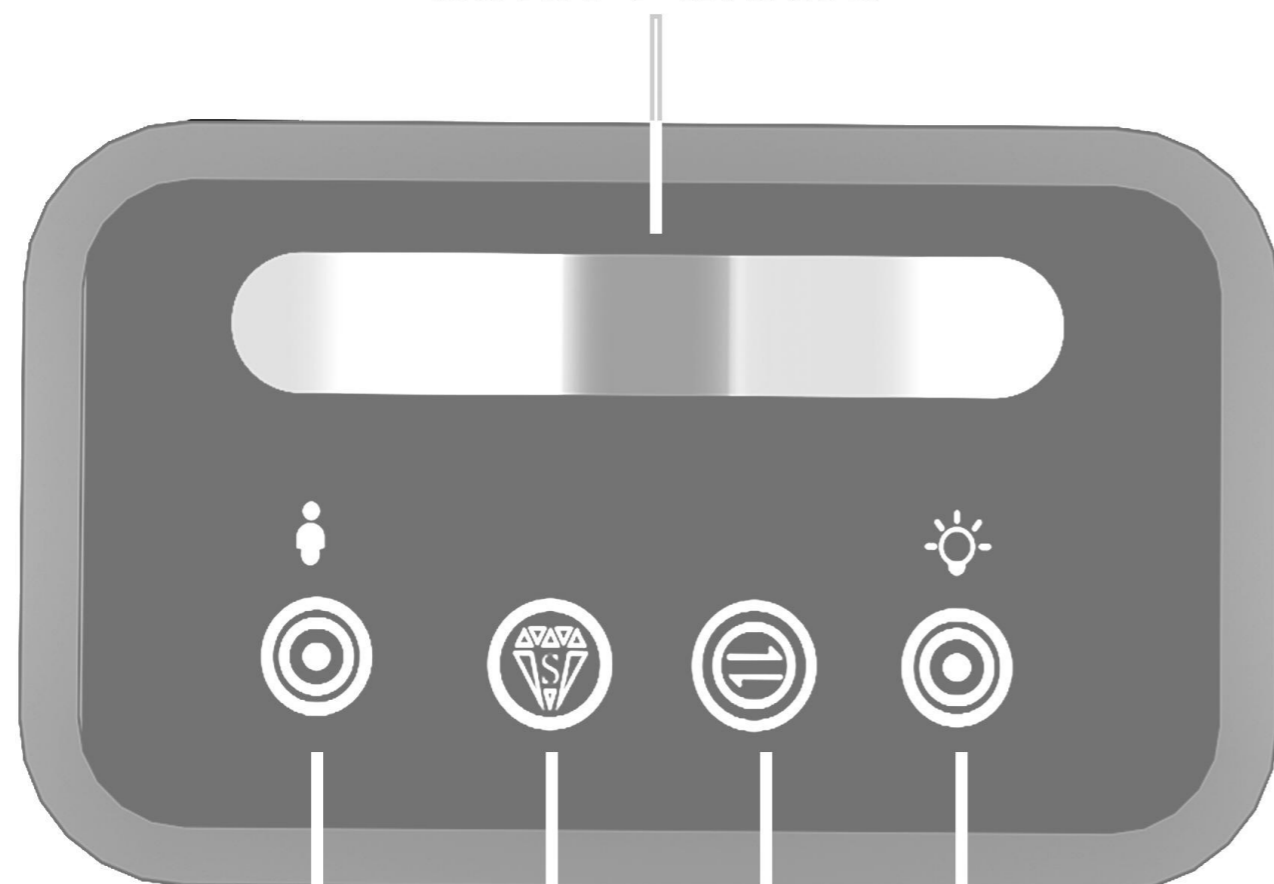
 This touch button is used to turn on/off the induction function.
A. touch this button once to turn on the induction function (indicator light on).
After the person leaves or remains stationary for more than 30 seconds, the light strip goes out; people and objects within a range of 1 meters move will light up the light strip.
B. Long press this button for 0.5 seconds to turn off the human body induction function (the indicator light goes out). At this point, Keep the light strip as it was before turning off and no longer be affected by human and object activities. By default, induction function is enabled when powered on.

 This touch button is the Dynamic Phantom Color Mode, which includes 5 magical lighting effects. Simply tap to cycle through the options. (Attention: This mode cannot adjust the brightness)

 This touch button controls the single-color switching function of the light strips, offering 7 different colors to choose from.

 This area controls the color switching function. You can tap or slide to any color bar position to change the color.

Color Palette



Induction Button

Phantom Color Mode Button

Master Switch Button

7-Color Mode Button



ATTENTION PLEASE

1. If there is no touch response suddenly, Re-plug the power to reset the touch static electricity.
2. If bubbles appear on the panel, remove the protective film.
3. If you have any questions when installing, please feel free to contact us. Thank you.