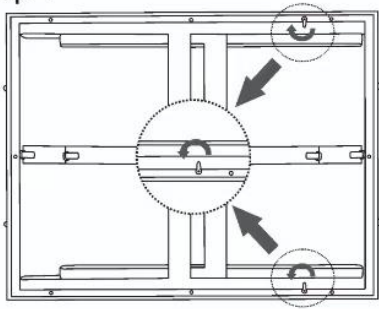


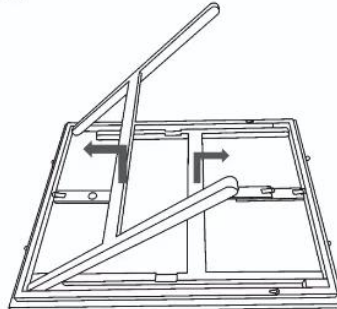
Installation instructions

Step 1



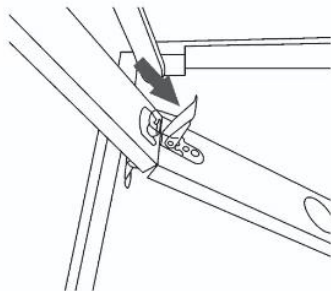
Move the blocking plate.

Step 2



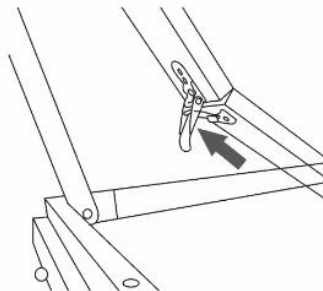
Open the legs.

Step 3



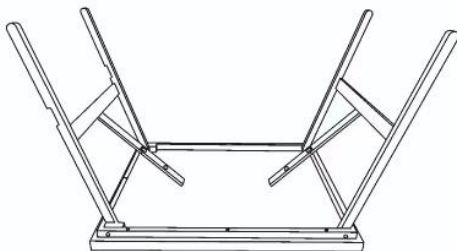
Fasten the buckle on the inside of the table.

Step 4



Secure the buckle on the outside of the table.

Step 5



Secure the buckles on both legs.

Step 6



Flip the table over and complete the installation.