

NOTICE

- * Please make sure that you have all parts indicated and they are in good condition before you begin assembly of this item. Refer to part list and hardware list below for guidance.
- * This item should be assembled on a soft surface to prevent scratching the finish during assembly.
- * This item may require periodic tightening.

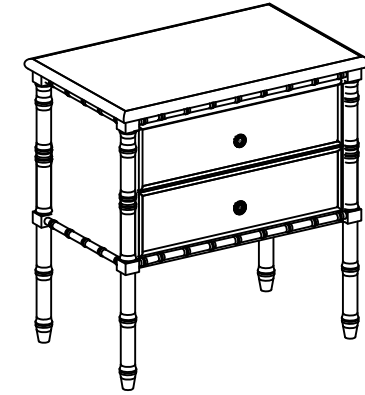
PREPARATION

- * Before beginning assembly of product, make sure all parts are present. Compare parts with part contents list and hardware contents list.
- * If any part is missing or damaged, do not attempt to assemble the product.
- * Estimated Assembly Time: 15 minutes.
- * Tools Required for Assembly : Not Required.

CARE AND MAINTENANCE

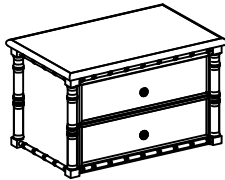
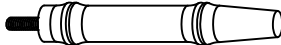
WOOD CARE: Adhesive felt pads should always be applied to areas of furniture which make direct contact with flooring, said application will prevent damage to the furniture and or surfaces on which the furniture lies. Objects placed on articles of furniture should rest on non abrasive material as to prevent damage to the wood finish. Objects whose composition consists of plastic and rubber are known to discolor and damage the wood surfaces on which they rest. Wipe up spills immediately and avoid common hazards such as hot dishes, harsh solvents and abrasives. Cleaning should be done with a soft lint free cotton cloth dampened with water or furniture polish. On highly used surfaces we recommend applying a quality paste wax which should be used on a regular basis to provide additional protection from scratches and spills. How often you apply the wax depends on how much wear the furniture receives.


Product Dimensions: 23"W x 20"D x 25.25"H



Weight Capacity : 25 lbs on top of the product
 Warning : Do not stand on the product
 Warning : Do not over torque bolts

Part List and Hardware List

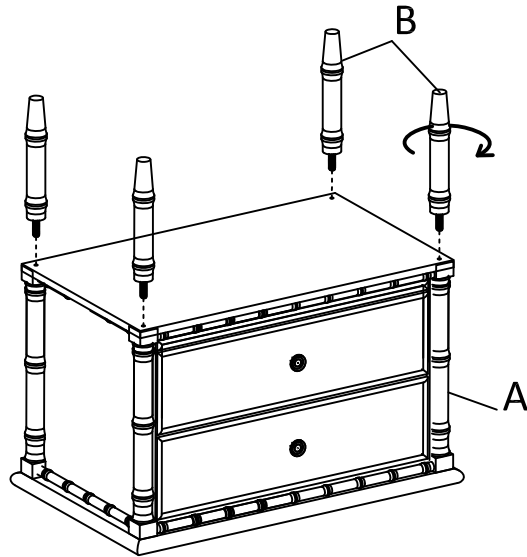
PIECE	DESCRIPTION	PICTURE	QTY
A	CABINET		1x
B	LEG		4x

PIECE	DESCRIPTION	PICTURE	QTY
HW1	Anti-Tip Hardware		1x

PREPARATION

- * Before beginning assembly of product, make sure all parts are present. Compare parts with part contents list and hardware contents list.
- * If any part is missing or damaged, do not attempt to assemble the product.
- * Estimated Assembly Time: 15 minutes.
- * Tools Required for Assembly : Not Required.

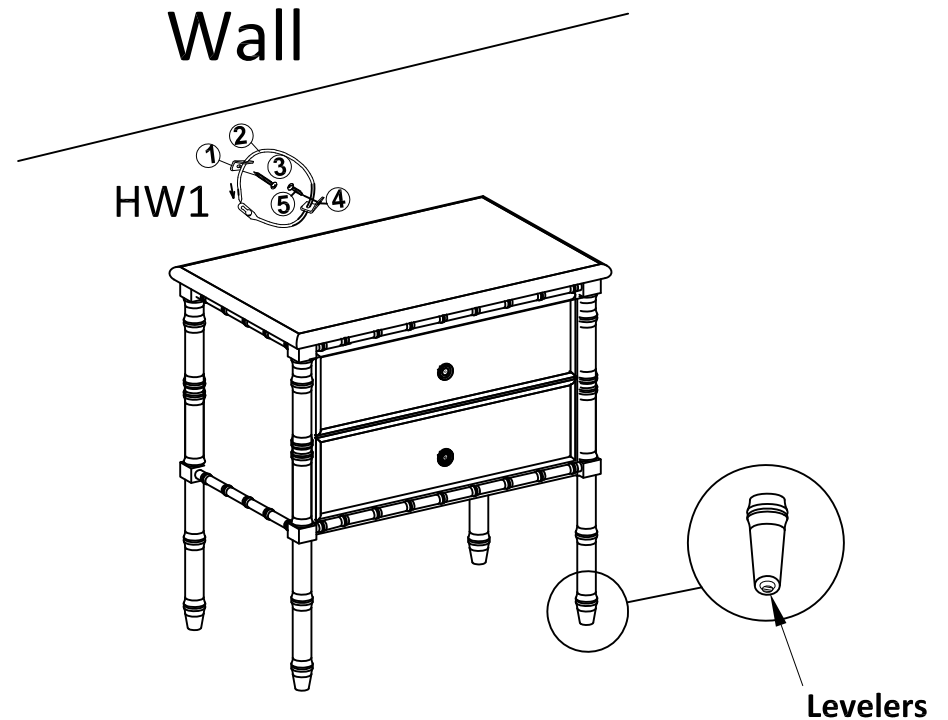
1



Step 1

Screw the 4*Legs (B) in the corresponding screw holes underneath of Drawer Cabinet (A), As picture.

2



Step 2

Turn the assembled product upright. Following the Installation Instructions of anti-tip hardware (HW1) to fix the product with wall by 1 strap. Use the levelers to adjust the product if needed. Assembly is now complete.