

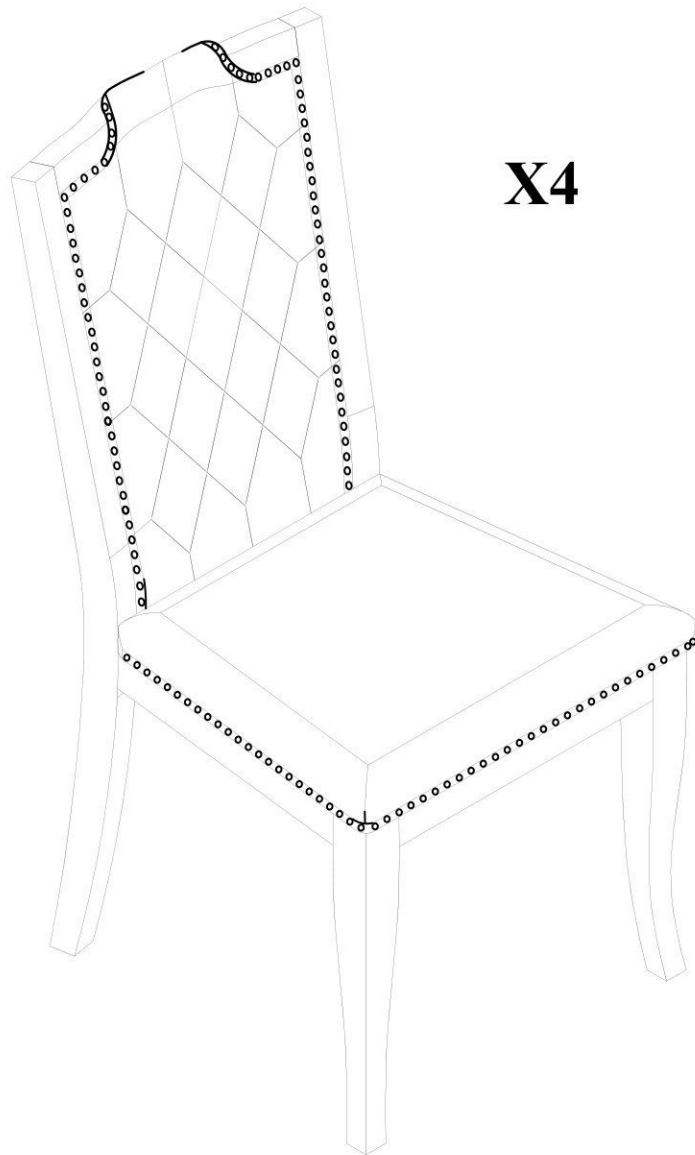
ASSEMBLY INSTRUCTIONS

IMPORTANT NOTE

****PLACE ALL PARTS ON A CLEAN AND SMOOTH SURFACE SUCH AS A RUG OR CARPET TO AVOID THE PARTS FROM BEING SCRATCHED**

****BEFORE YOU BEGIN, KINDLY FOLLOW THE ASSEMBLY INSTRUCTIONS STEP BY STEP**





****DO NOT TIGHTEN ALL SCREWS AND BOLTS UNTIL THE CHAIR IS FULLY SET-UP**

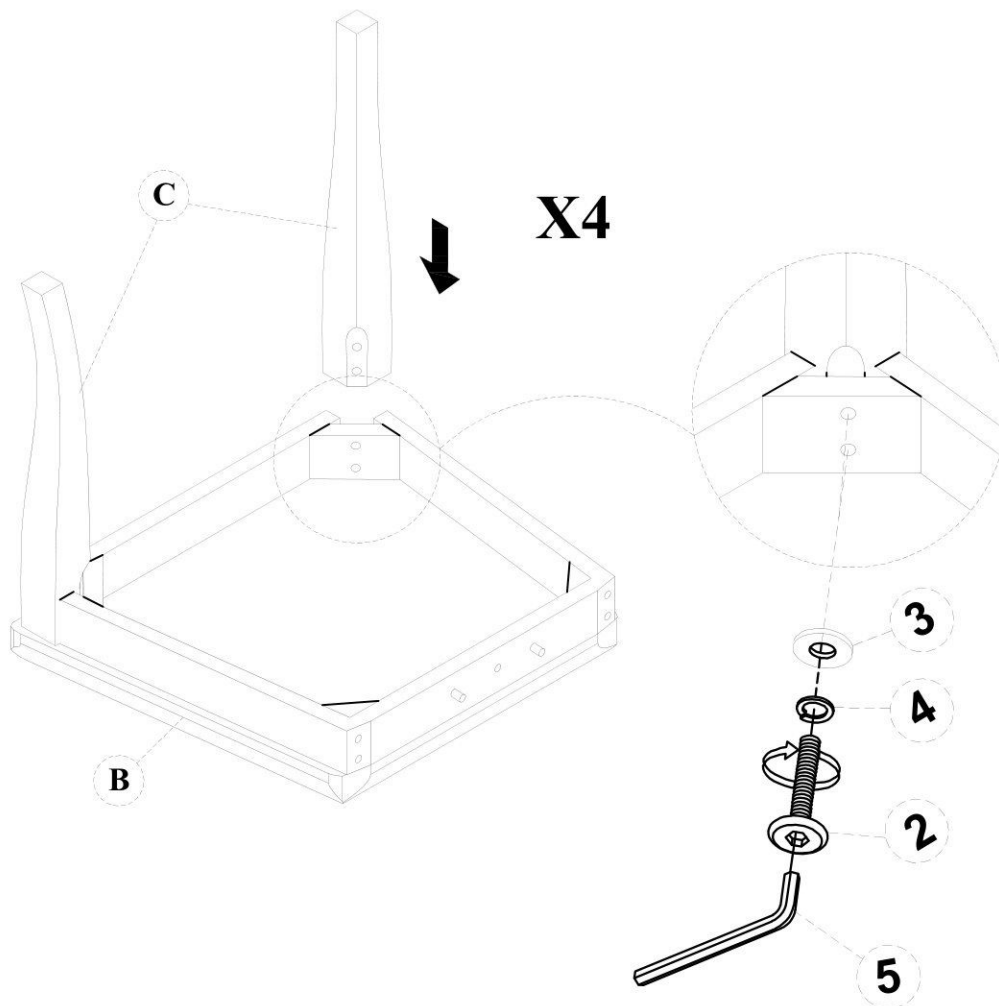


PLEASE DO NOT RETURN PRODUCT TO THE STORE

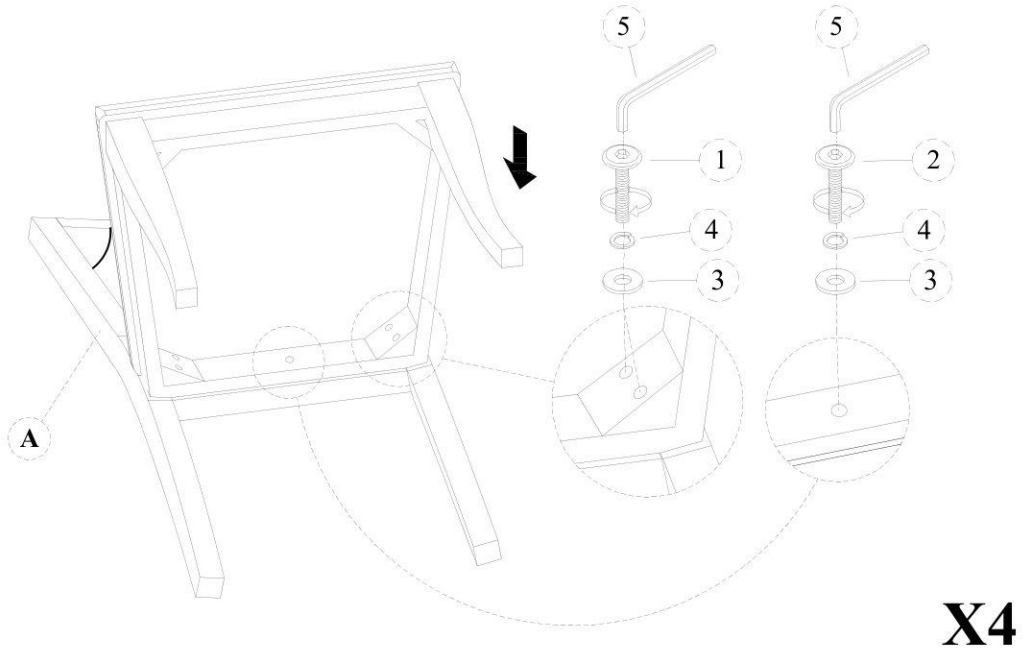
ASSEMBLY INSTRUCTIONS

CARTONS ONLY ONE / HARDWARE LIST

PART LISTS				HARDWARE LIST			
NO	DESCRIPTION	SKETCH	Q'TY	NO	DESCRIPTION	SKETCH	Q'TY
A	CHAIR BACK		4 PCS	1	BOLT Ø5/16*75mm		16 PCS
				2	BOLT Ø5/16*50mm		20 PCS
B	SEAT CUSHION		4 PC	3	WASHER Ø5/16"*19mm		36 PCS
C	LEGS		8 PCS	4	SPRING WASHER Ø5/16"*11mm		36PCS
				5	ALLEN KEY M4*60mm		1 PC



ASSEMBLY INSTRUCTIONS



COMPLETE

