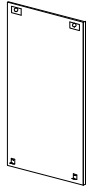
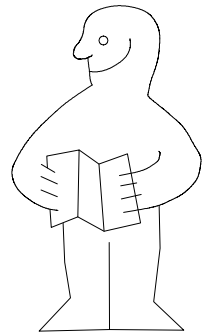
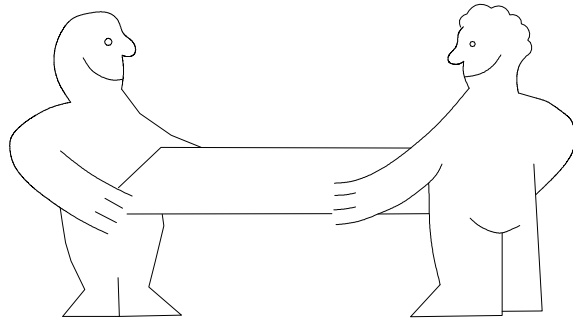
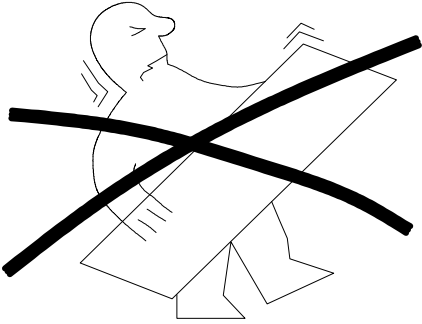
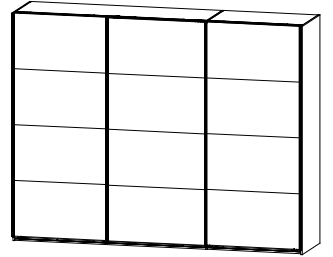
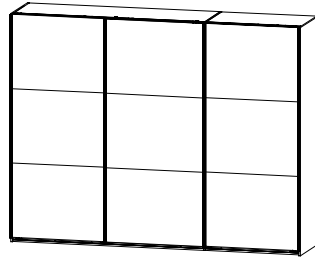
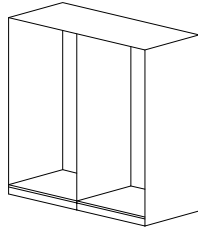


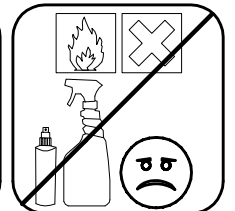
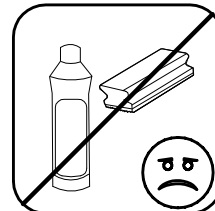
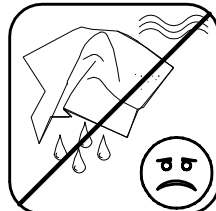
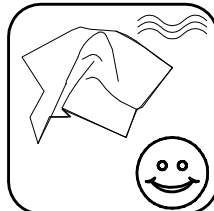
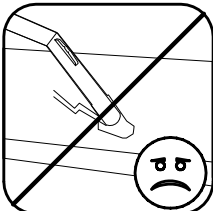
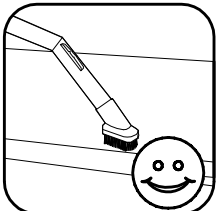
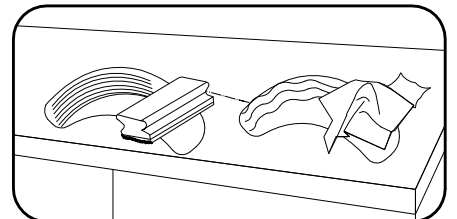
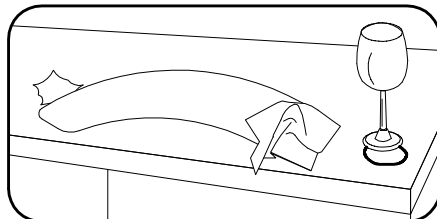
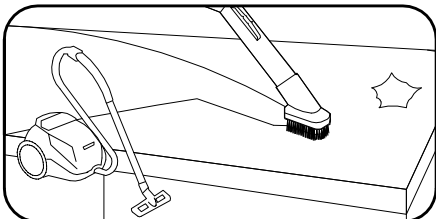
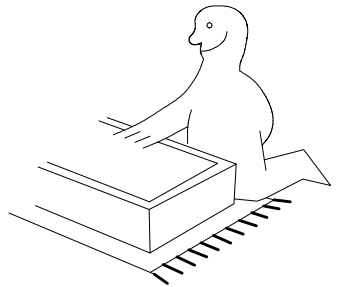
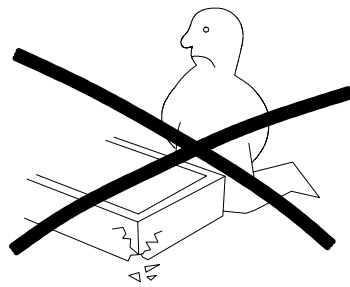
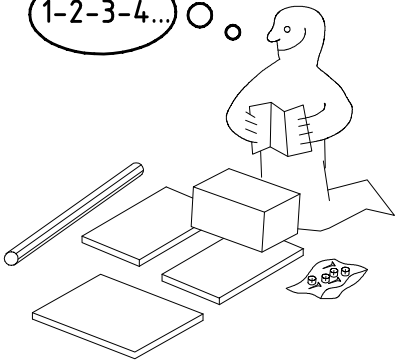
1.

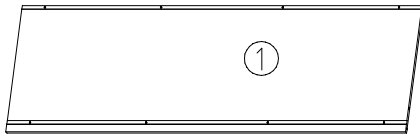
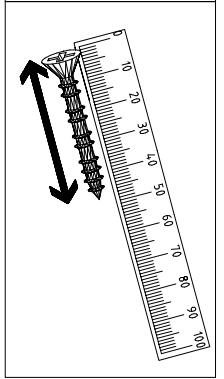
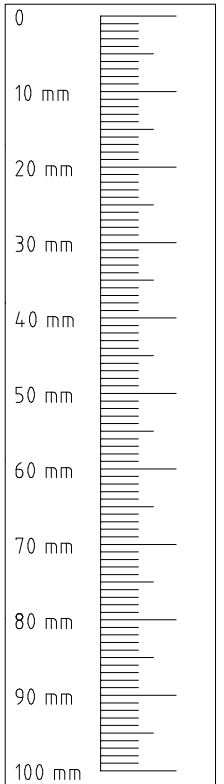
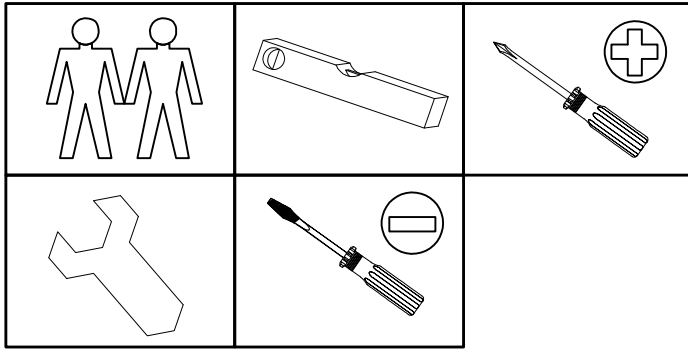


2.

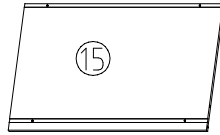


1-2-3-4... ○

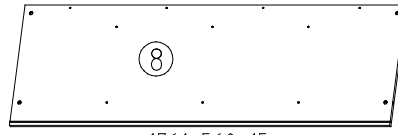




1761x560x15



873x560x15



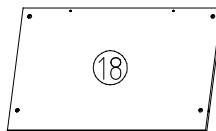
1761x560x15



1761x32x15



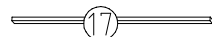
873x32x15



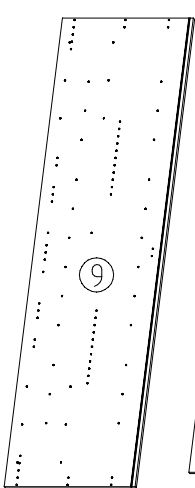
873x560x15



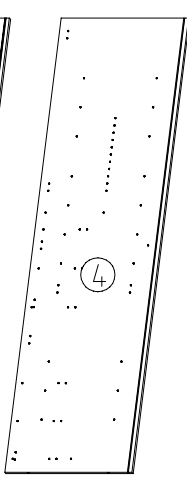
1761x32x15



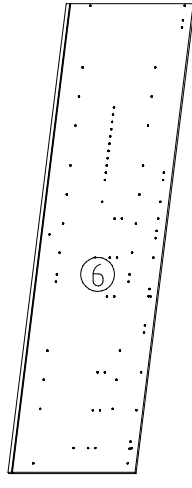
873x32x15



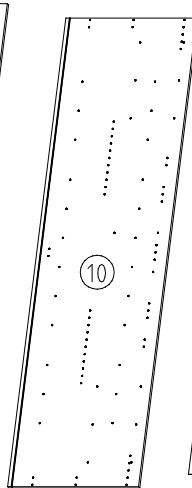
064x577x15



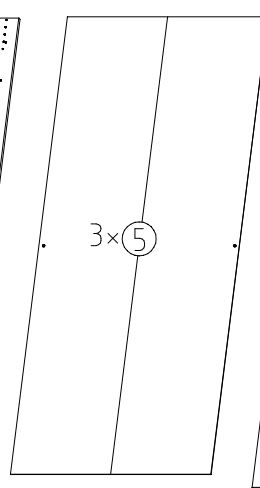
2001x560x15



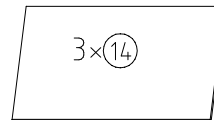
2064x560x15



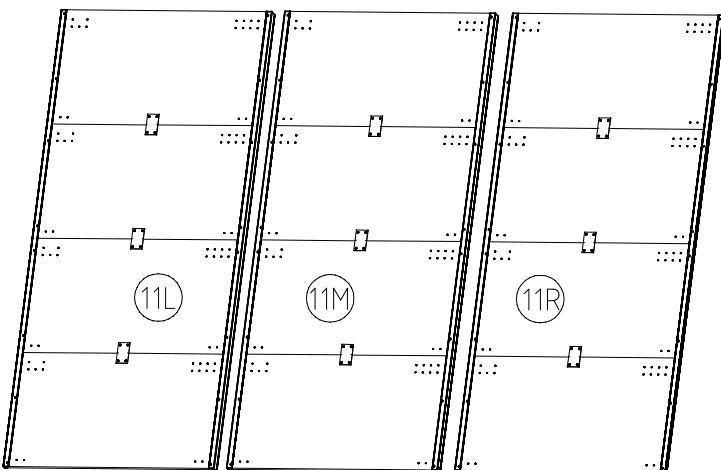
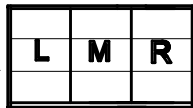
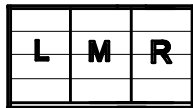
2064x577x15



2015x882x2,5



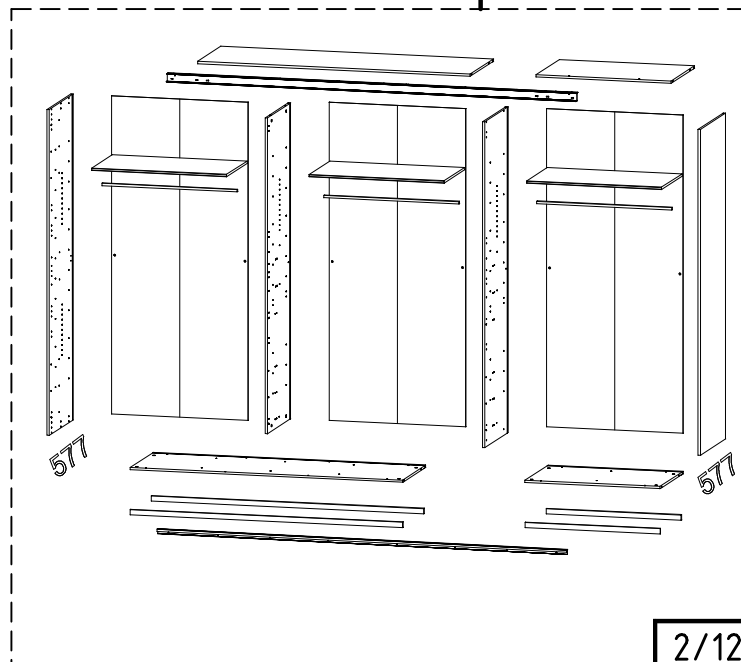
873x500x18

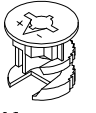
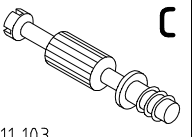



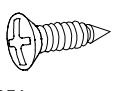

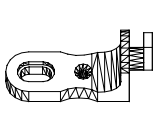
2018x916x15

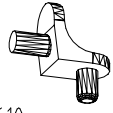

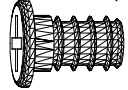
2018x916x15


2018x916x15



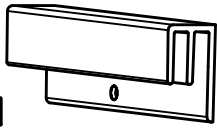
 111 102	<b>A</b> 20x
 111 103	<b>C</b> 12x
	<b>F3</b> 4x

3,5 x 15 mm  121 370	<b>G1</b> 12x
 117 001	<b>K1</b> 6x
 111 174	<b>J1</b> 6x

 111 610	<b>L7</b> 12x
3,5 x 35 mm  121 375	<b>G14</b> 16x
M6 x 11 mm  121 181	<b>T6</b> 6x

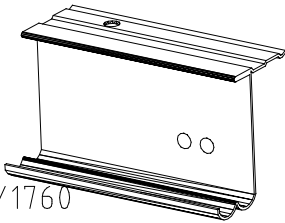
 870mm 112 402	<b>K20</b> 3x
---	------------------

1x  
FPN

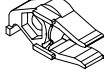
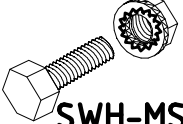
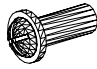
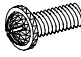


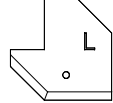
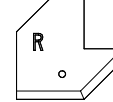
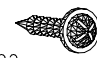
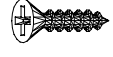
1316/1760  
2204/2648/3092/3536


1x  
LP

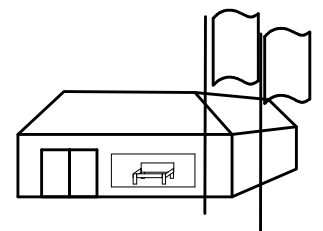
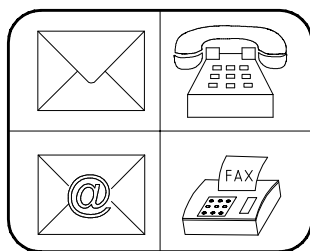
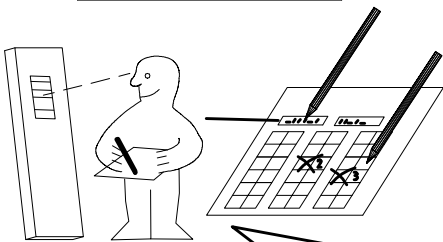
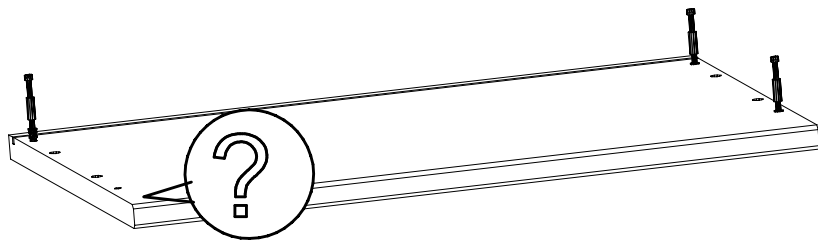
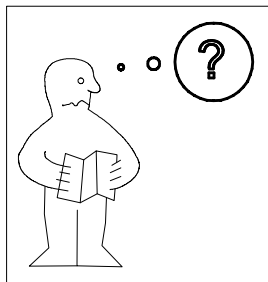


1316/1760  
2204/2648/3092/3536  
ST

 SWH-ST	2x
 SWH-MS	2x
M4 x 13 mm  121 xxx	<b>GH13</b> 7x
M4 x 10 mm  121 xxx	<b>G43</b> 7x

 SWH-SKL	1x
 SWH-SKR	1x
4 X 13mm  121 122	<b>SP13</b>
3,5 x 22 mm  121 004	<b>G24</b> 10x

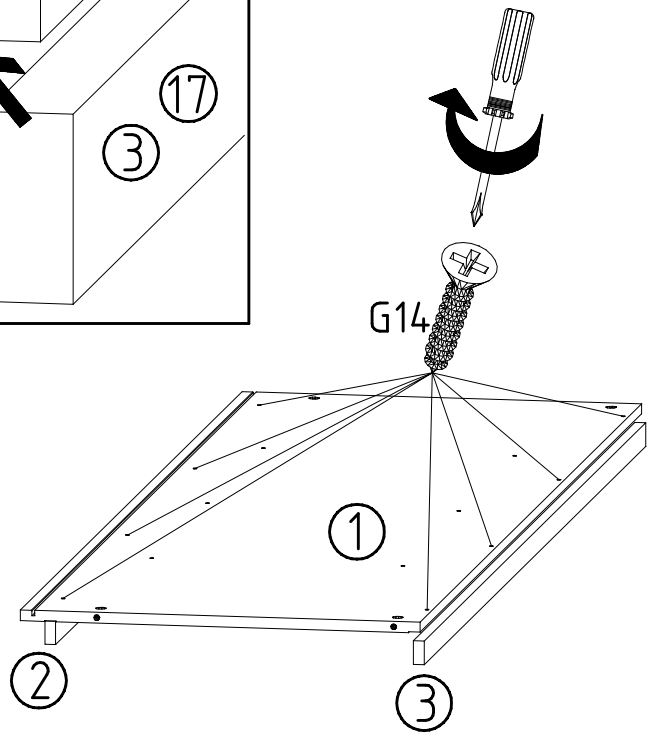
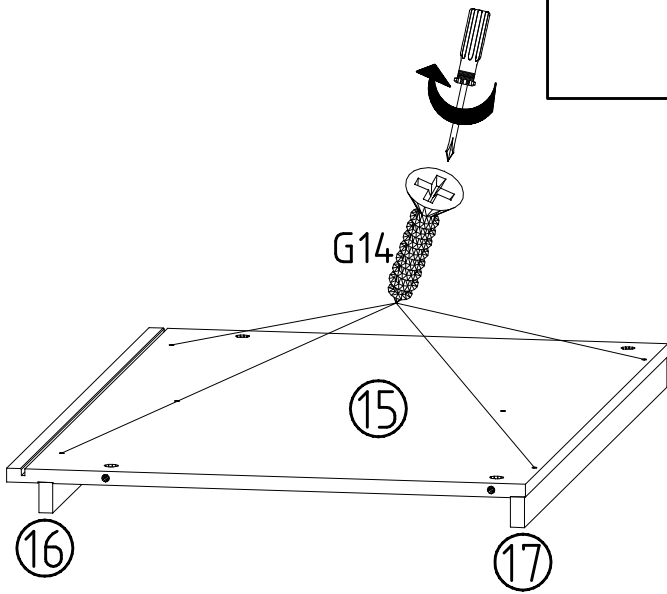
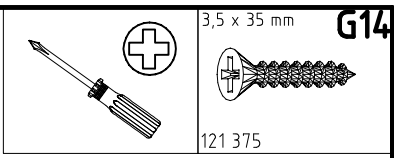
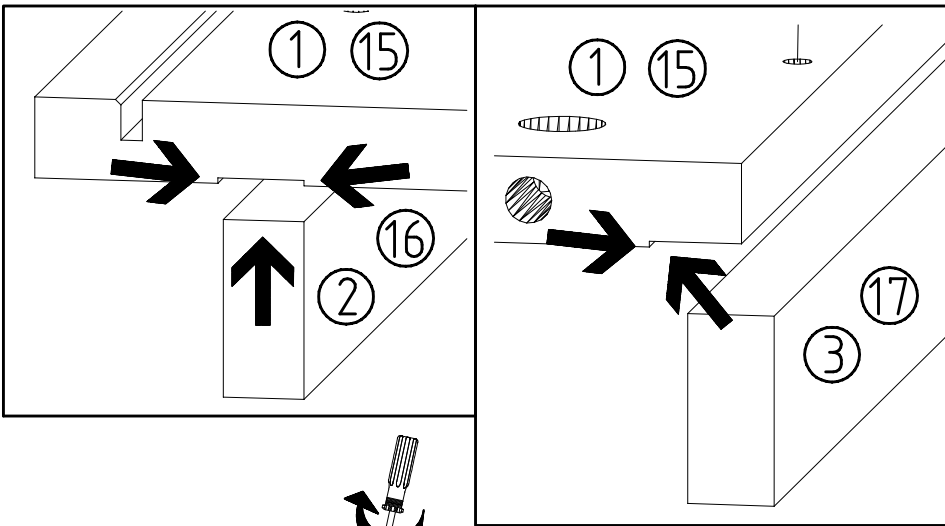
 SW-STM	1x
---	----



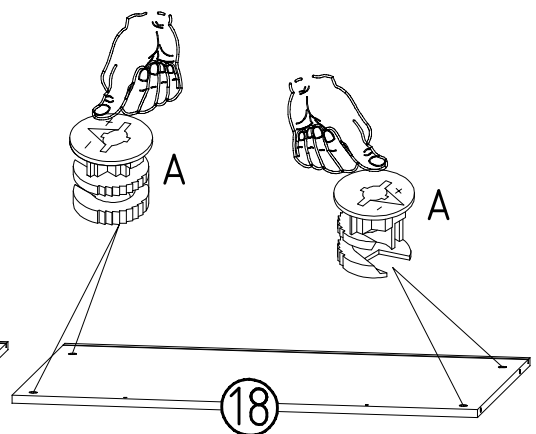
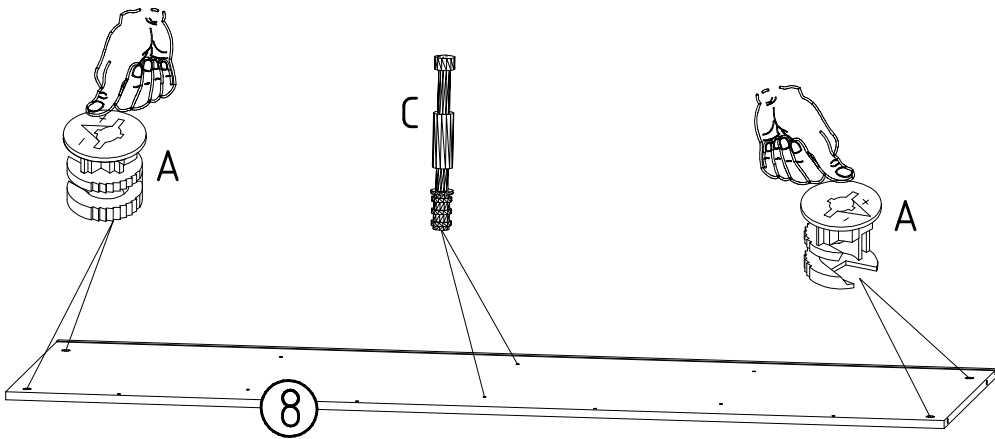
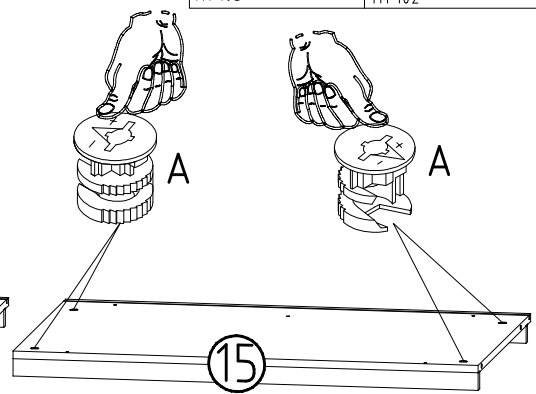
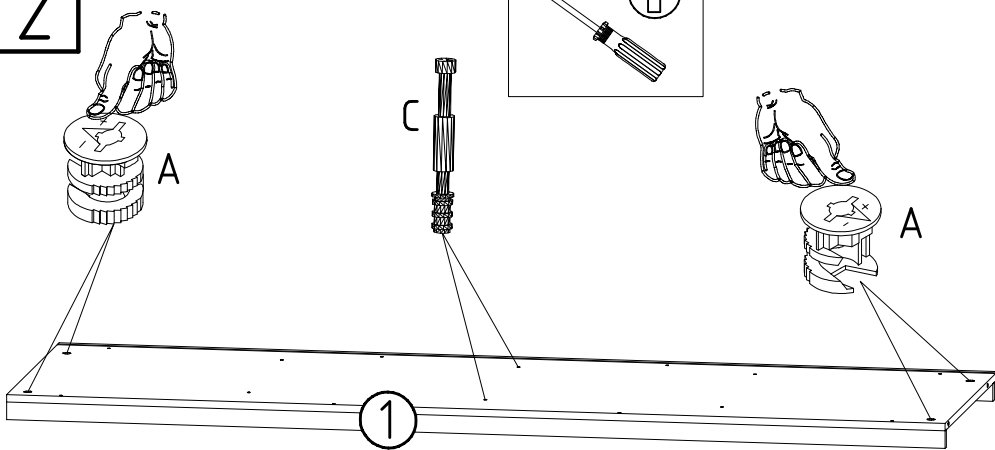
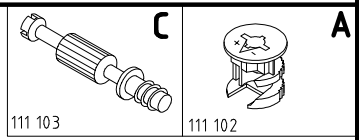
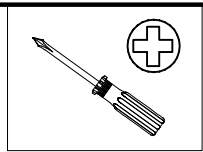
Auftrag/Order-No  
No. de Commande

Kunde/Customer  
Client

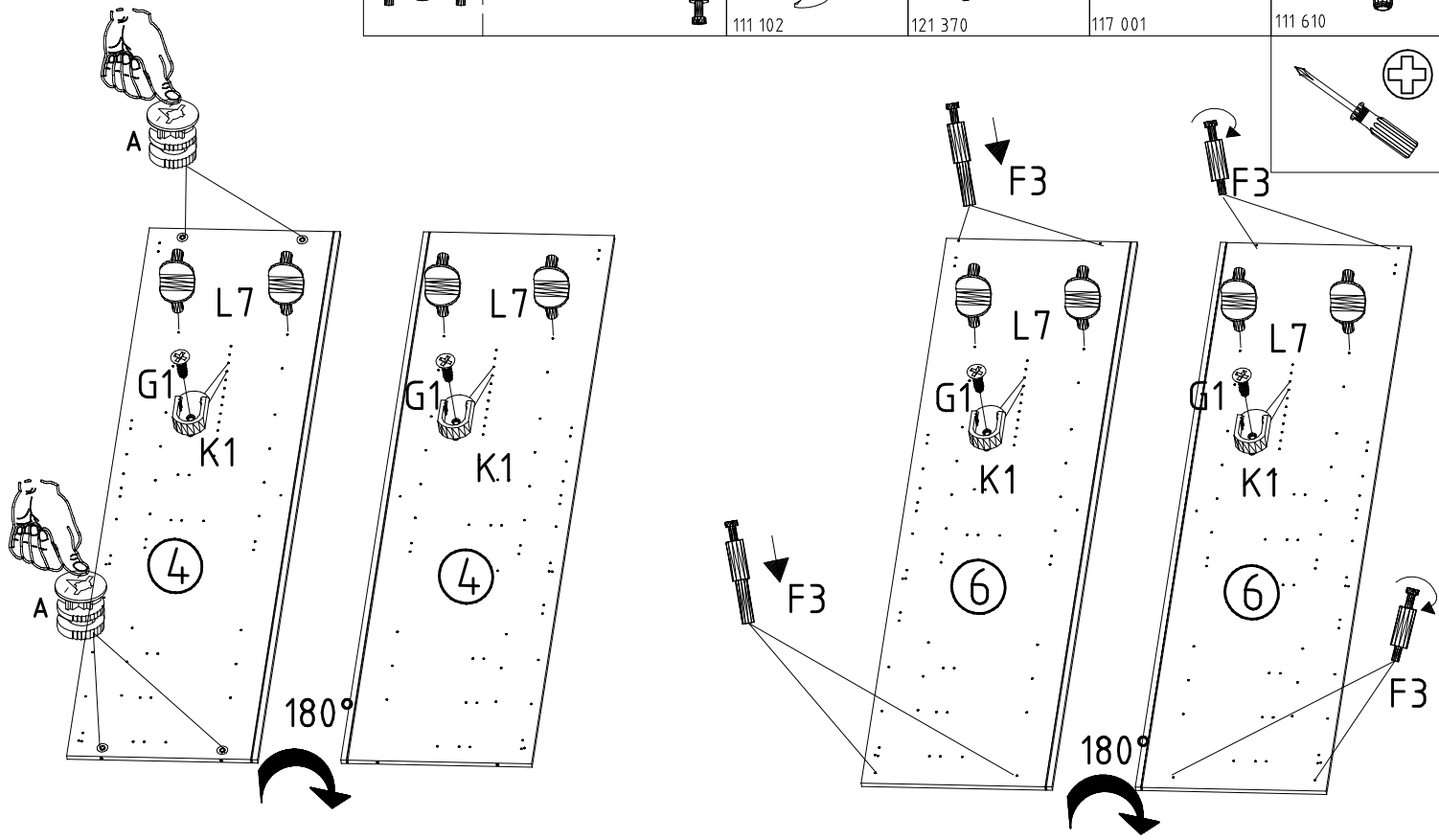
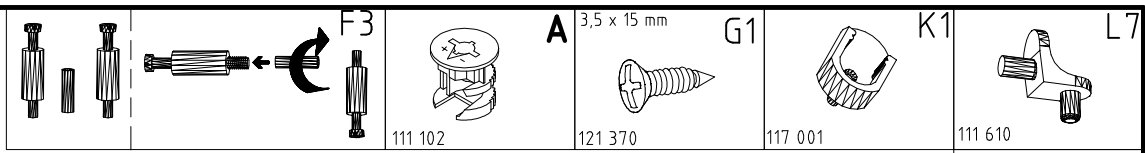
1



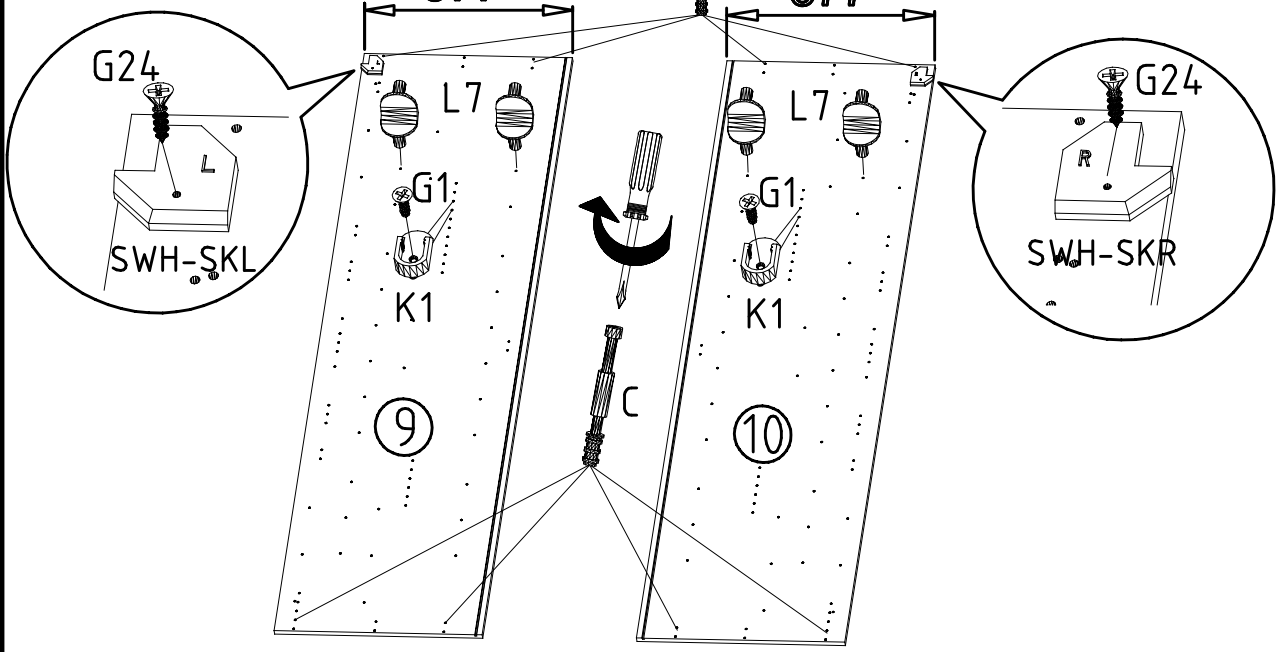
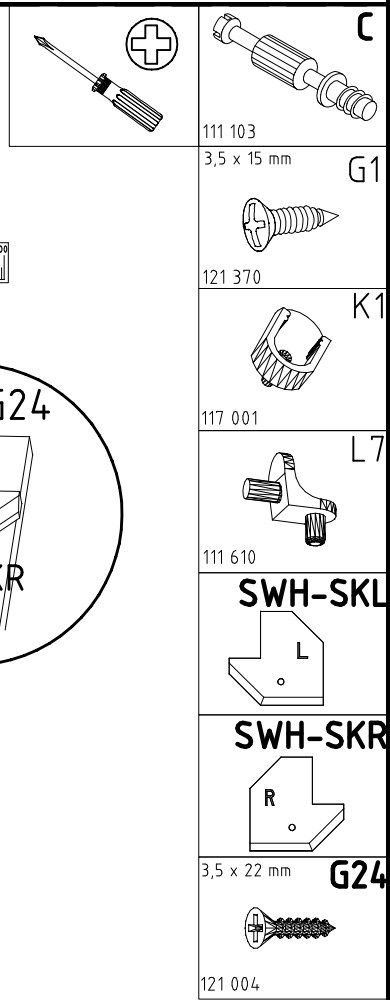
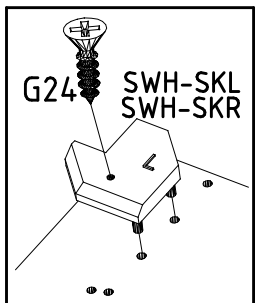
2



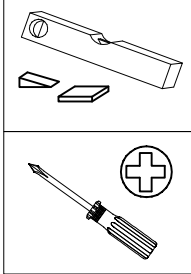
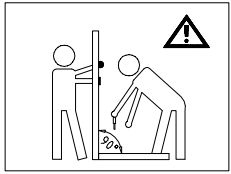
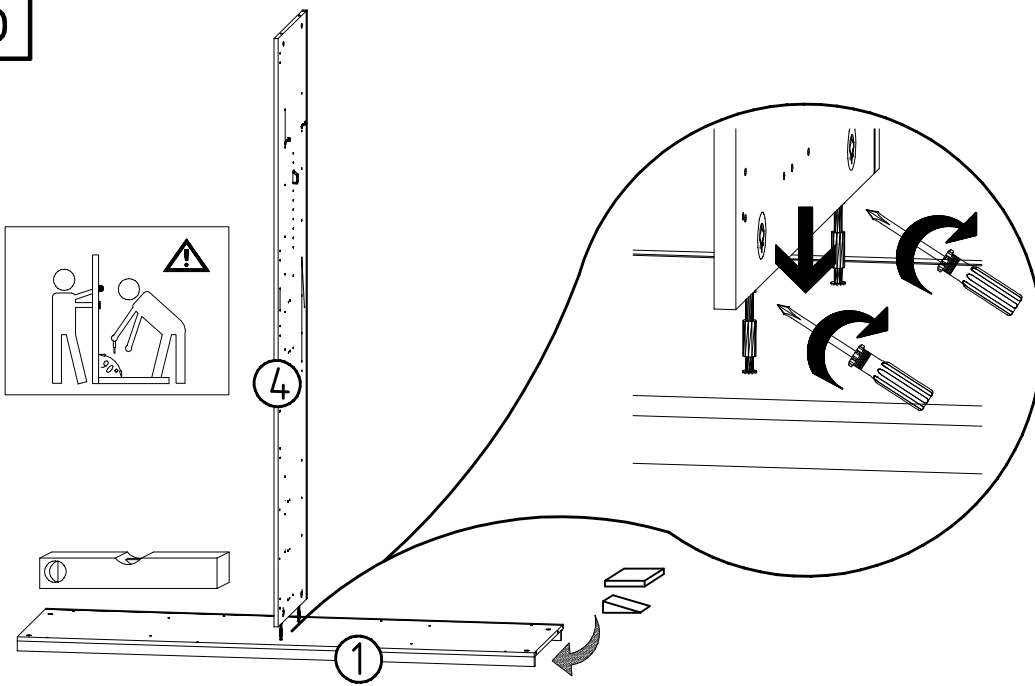
3



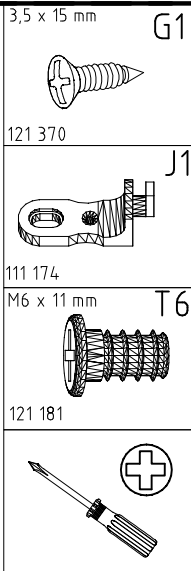
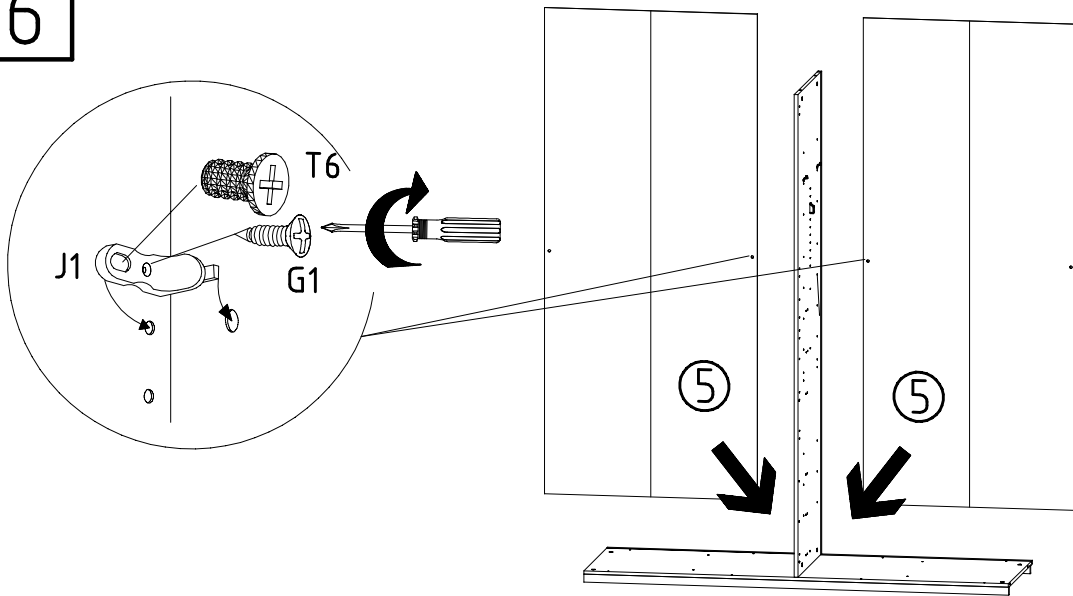
4



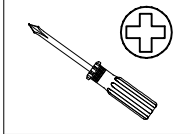
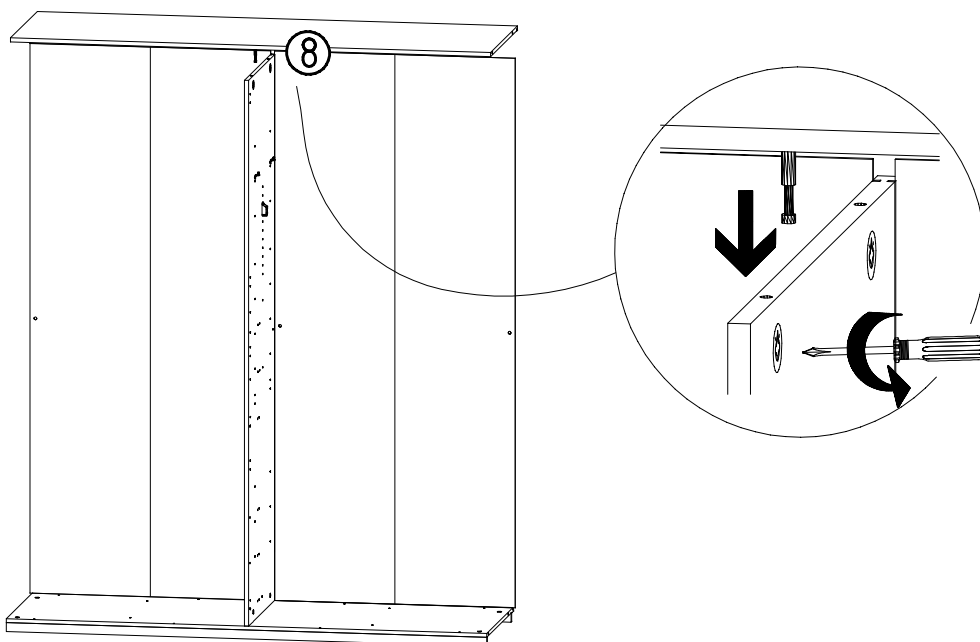
5



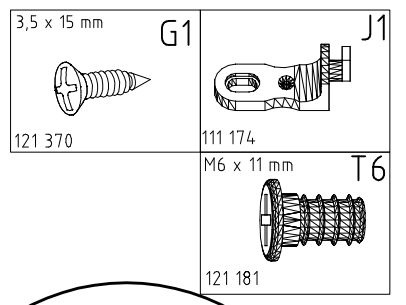
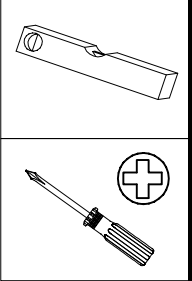
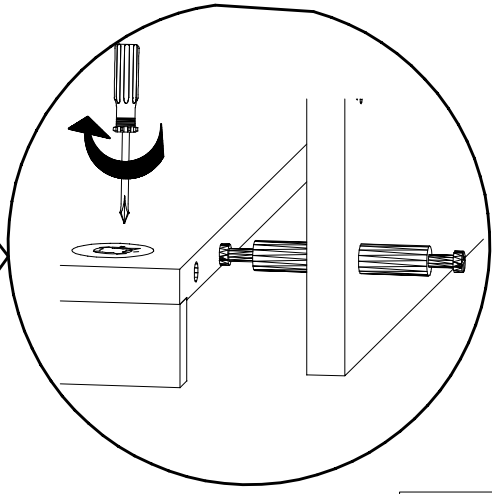
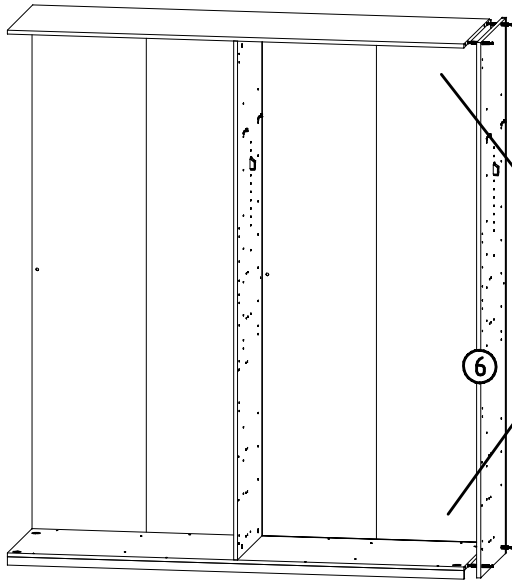
6



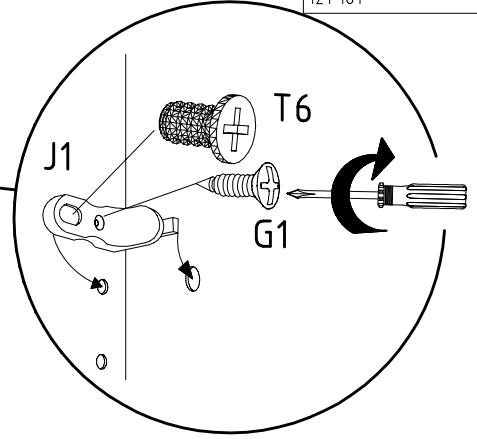
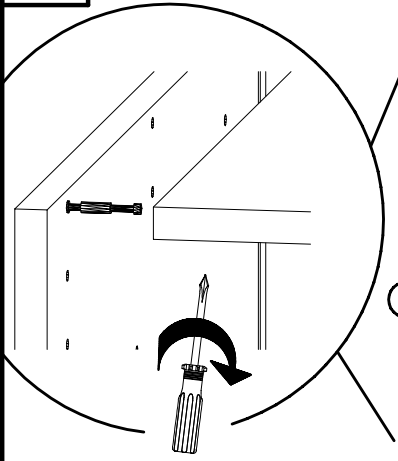
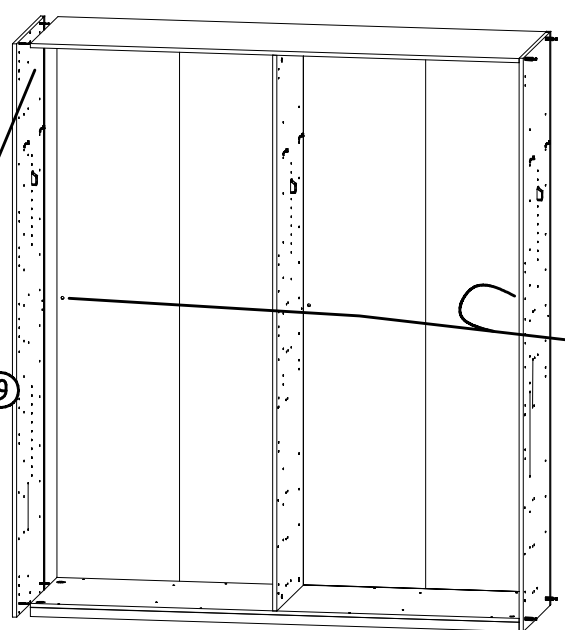
7



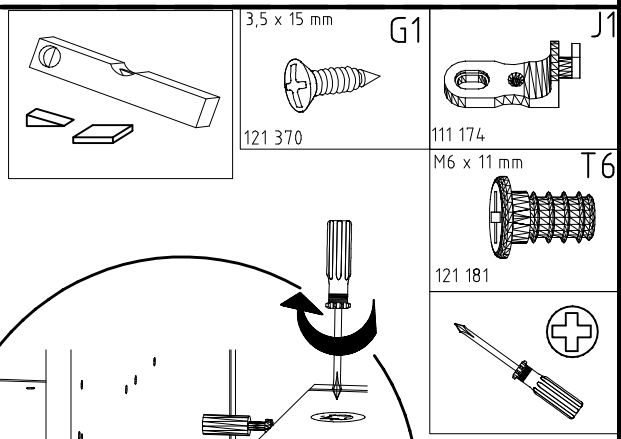
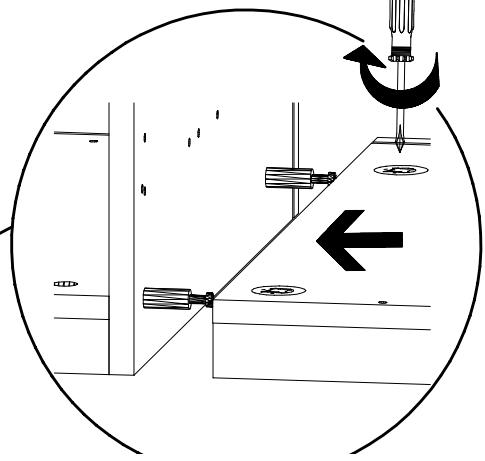
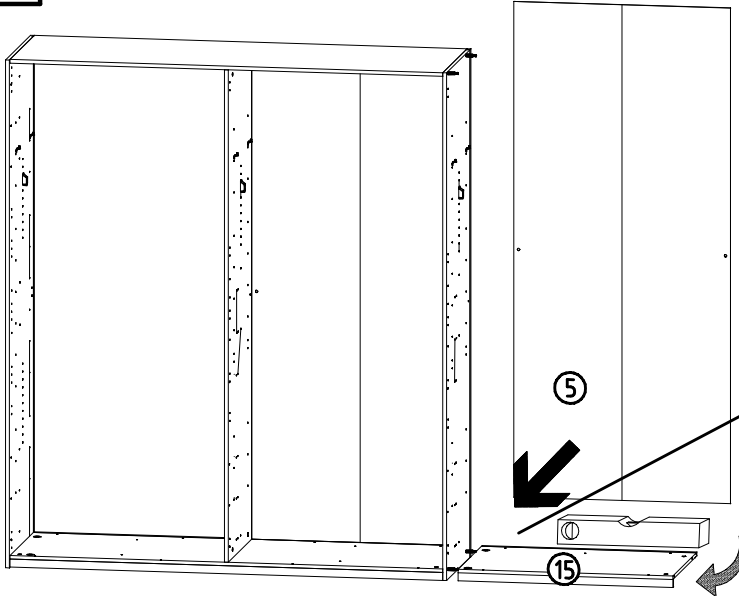
8



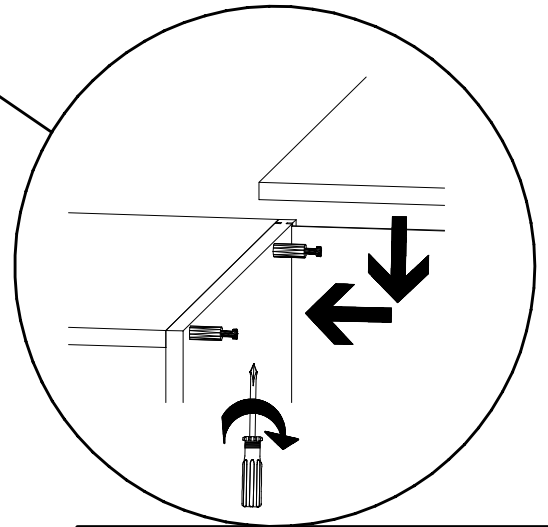
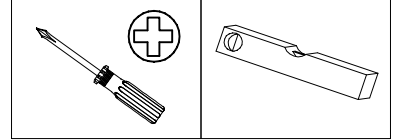
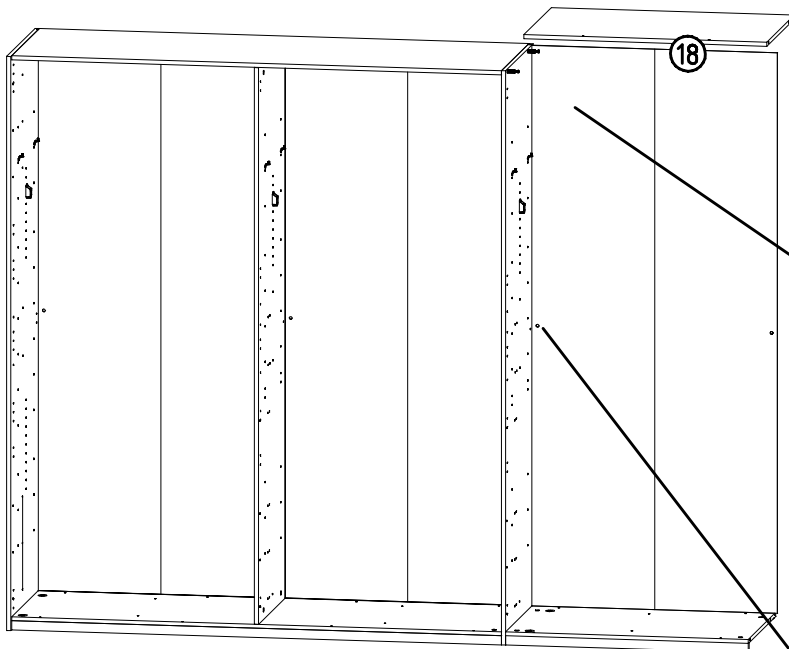
9



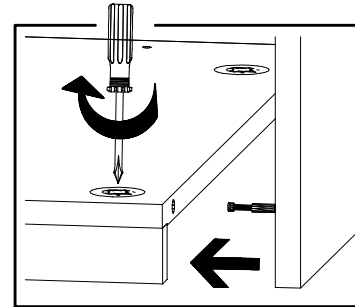
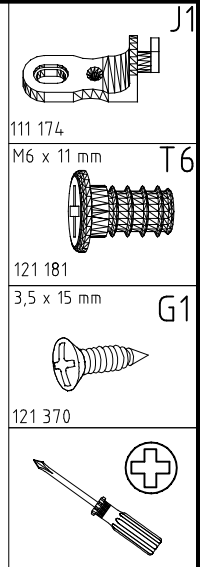
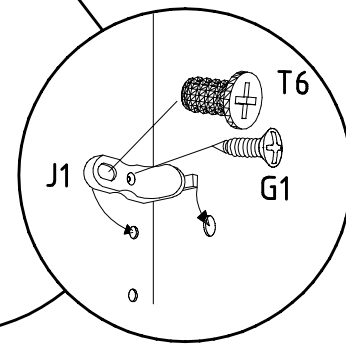
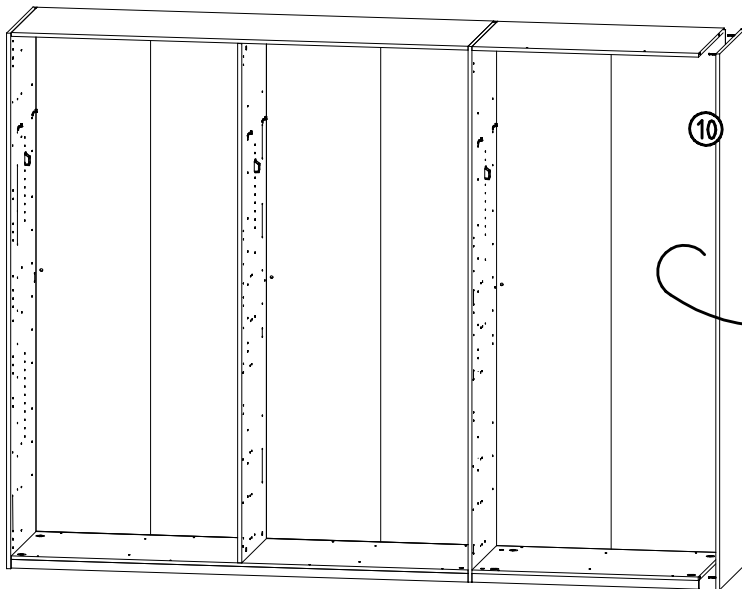
10



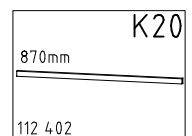
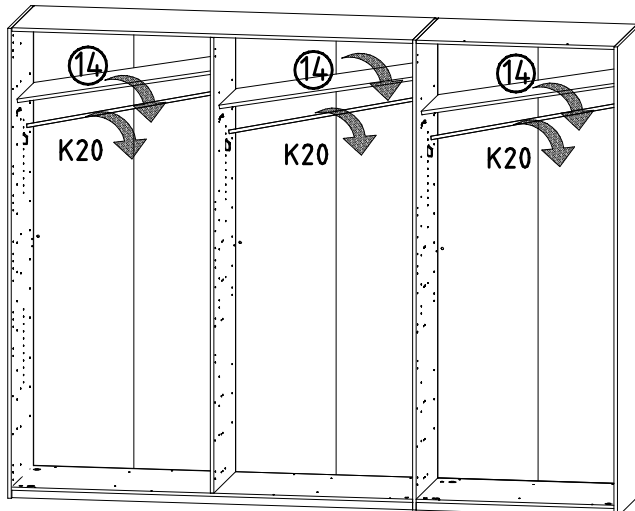
11



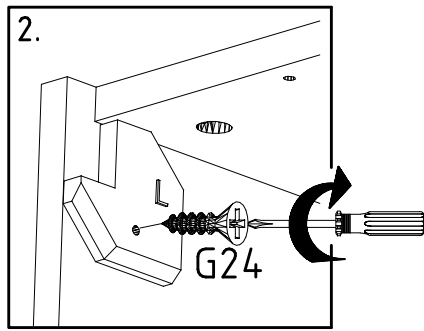
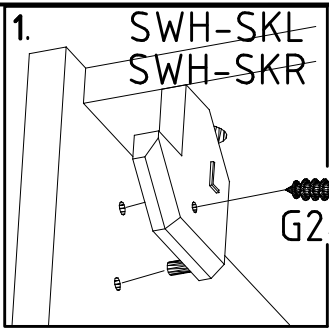
12



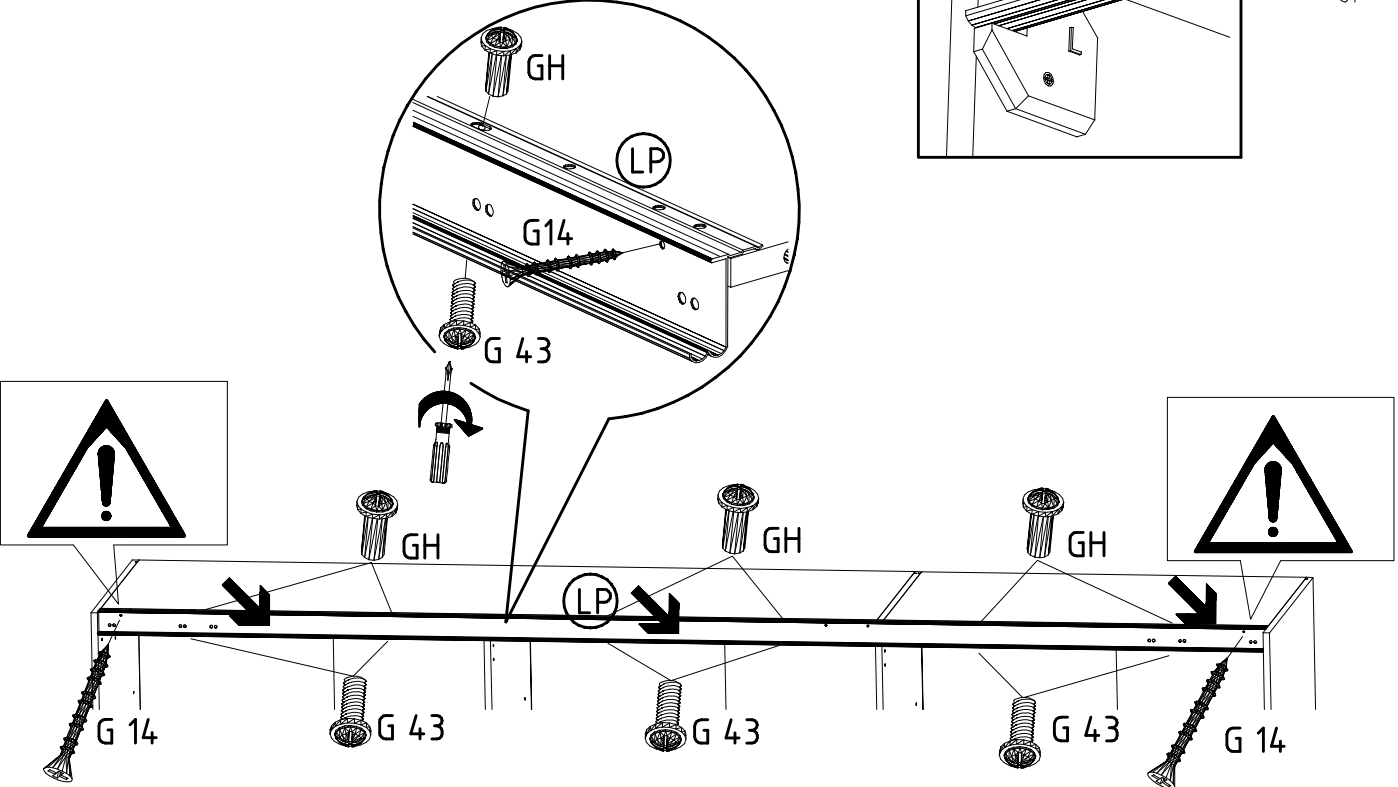
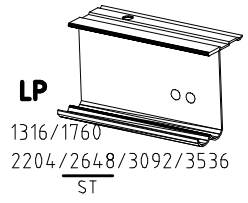
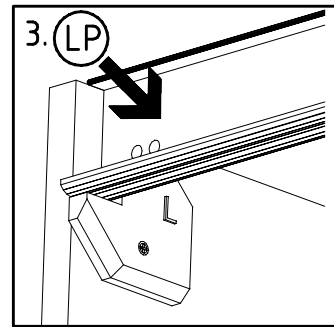
13



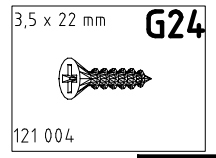
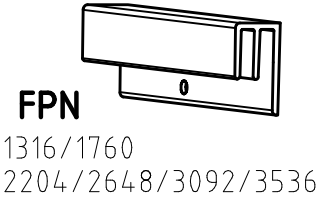
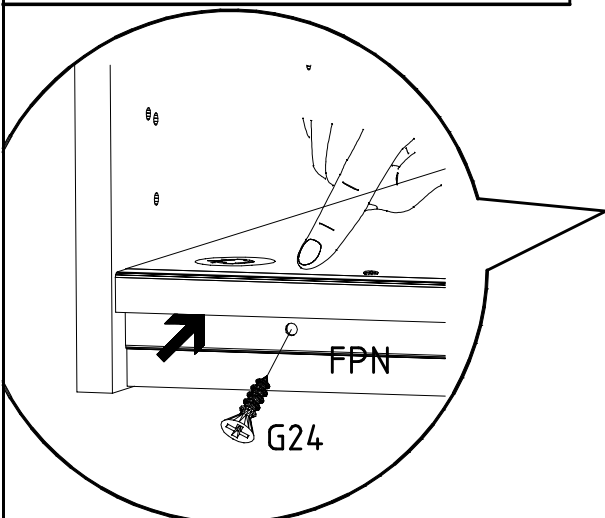
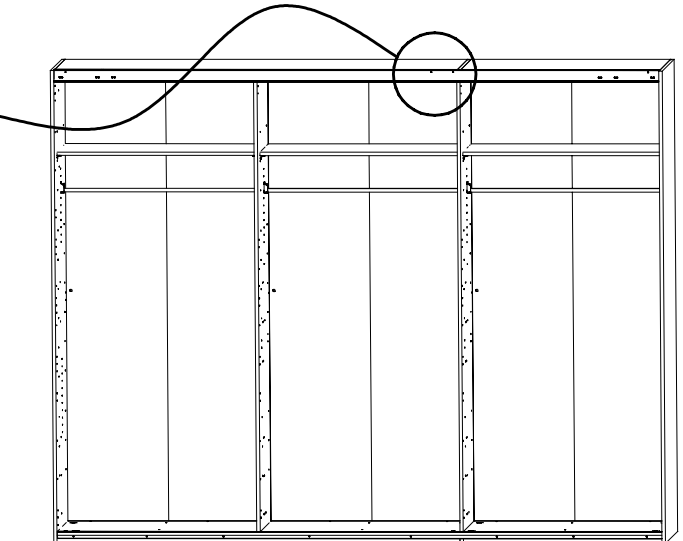
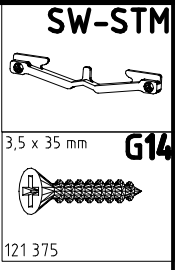
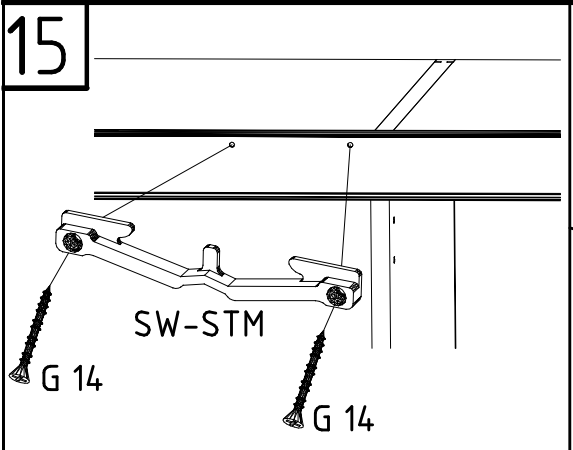
14



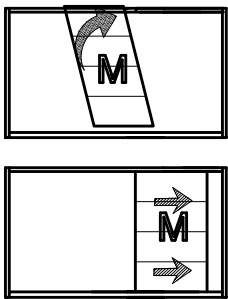
3,5 x 35 mm <b>G14</b> 121 375	M4 x 10 mm <b>G43</b> 121 xxx	M4 x 13 mm <b>GH13</b> 121 xxx
--------------------------------------	-------------------------------------	--------------------------------------



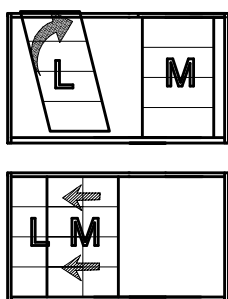
15



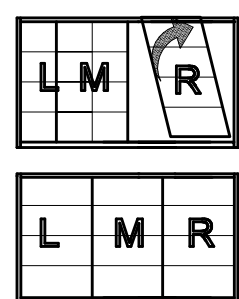
16



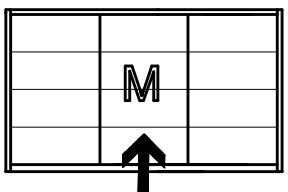
17



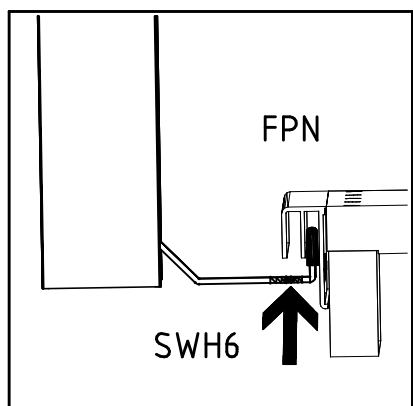
18



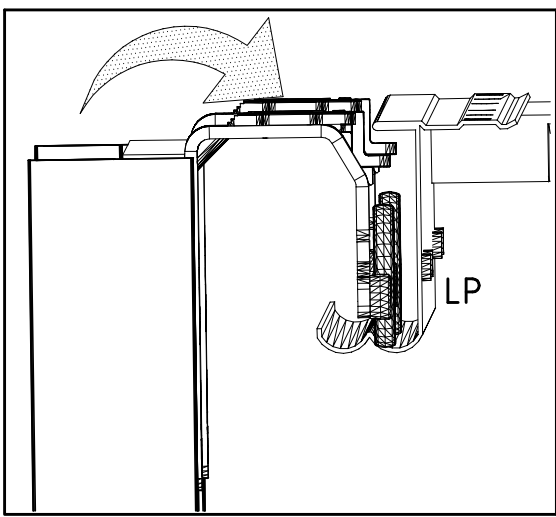
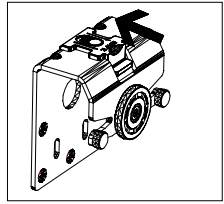
16



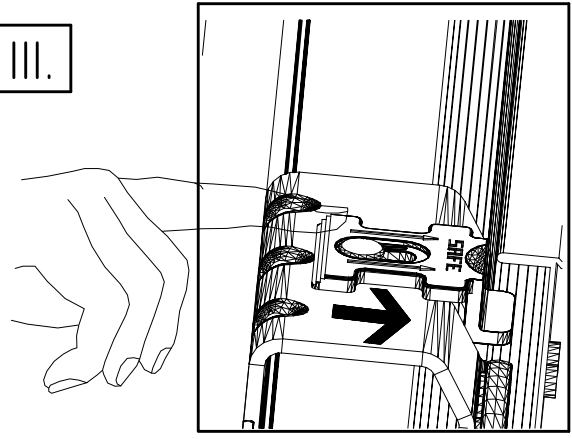
I.



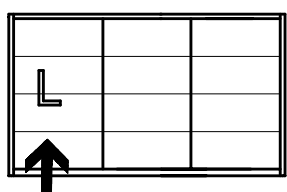
II.



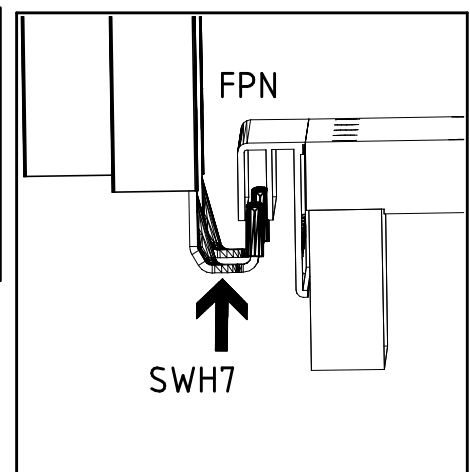
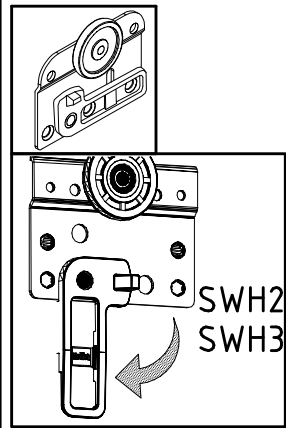
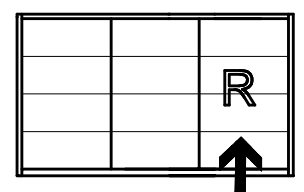
III.



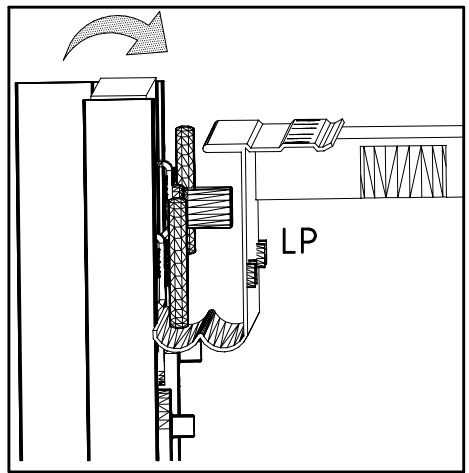
17 + 18



I.



II.



III.

