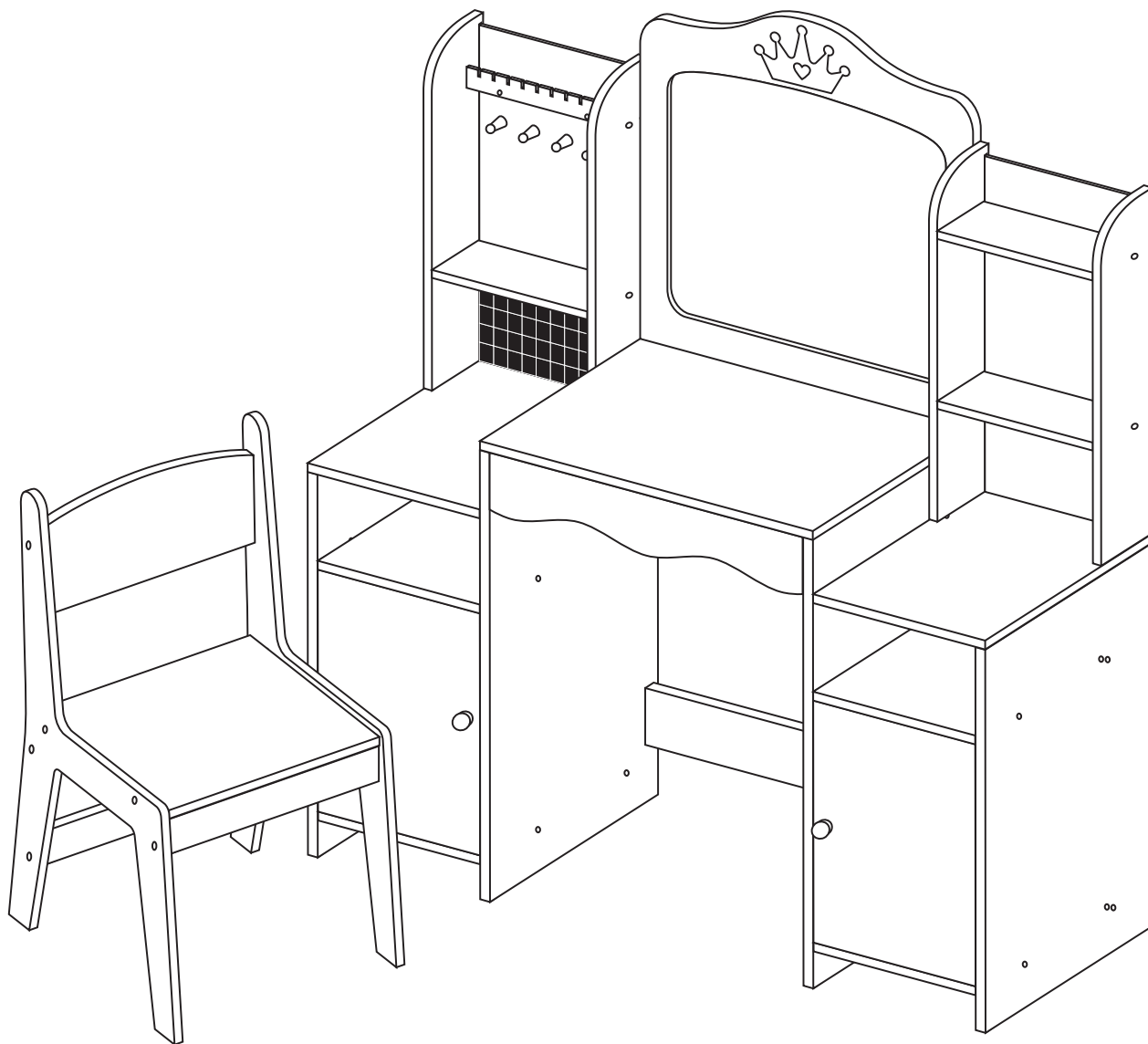
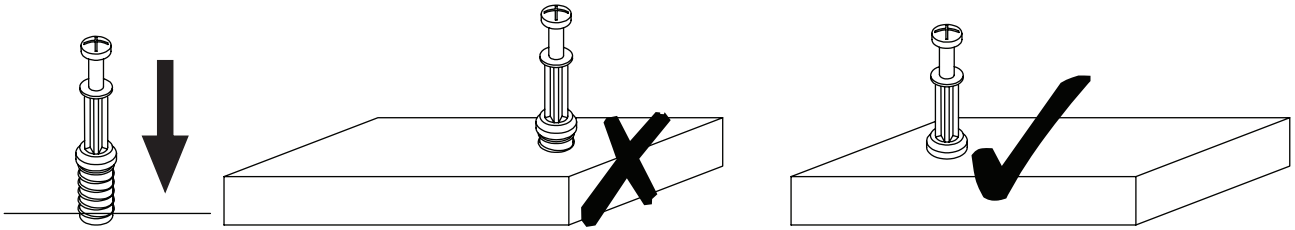


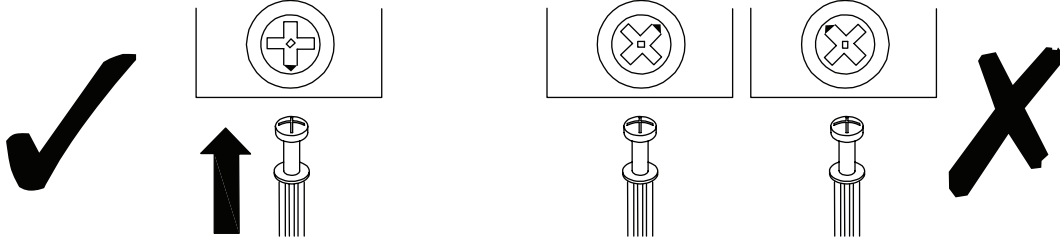
ASSEMBLY INSTRUCTIONS



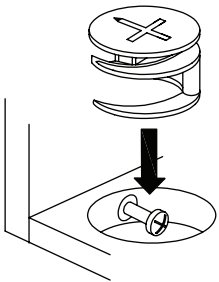
If you have any question about the installation, please do not hesitate to contact us, we will reply to you within 24 hours and do our best to help you solve all problems.



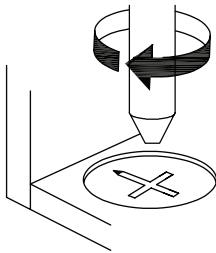
QUICKFIT: Tighten quickfit until shoulder is flush with panel. Do not overtighten or undertighten.



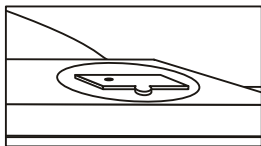
CAM LOCK: When fitting cam lock, ensure starting position is correct before you insert connecting quickfit.



Quickfit head should be in the centre of the cam lock when the two panels are joined.
Cam lock should be inserted before quickfit.

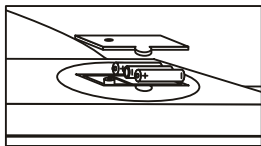


Turn cam lock clockwise to tighten.

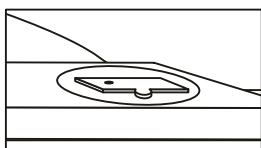


ATTENTION:

Use Phillips screwdriver to open the lid of light strip, put 3pcs of AA batteries in the groove, positive to positive, negative to negative, then close the lid of light strip, lock it with screwdriver.



- Non-rechargeable batteries are not to be recharged;
- Different types of batteries or new and used batteries are not to be mixed;



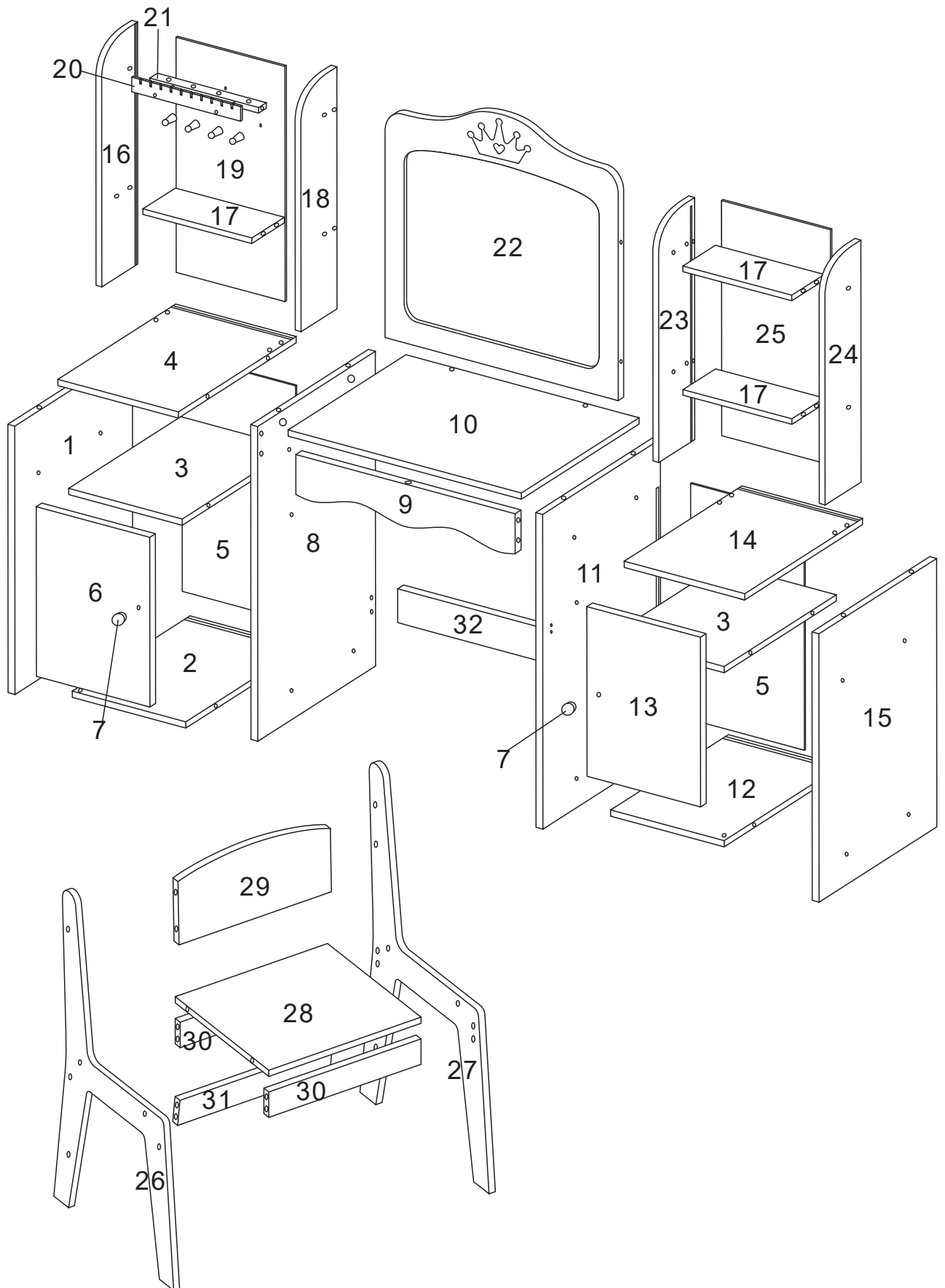
- Batteries are to be inserted with the correct polarity (+ and -);
- Exhausted batteries are to be removed from the toy;
- The supply terminals are not to be short-circuited.
- Do not mix alkaline, standard(carbon-zinc) or rechargeable (nickel-cadmium) batteries.
- Do not mix old and new batteries.



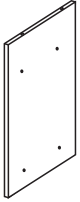
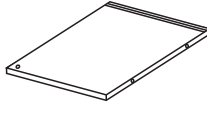
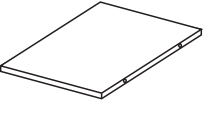
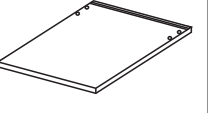
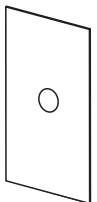
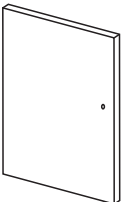
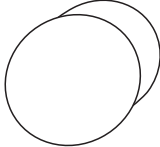

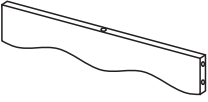
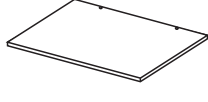
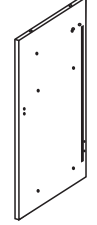
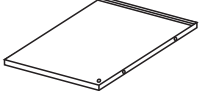
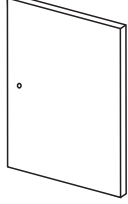
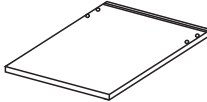
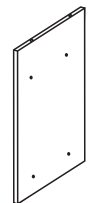
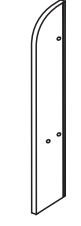


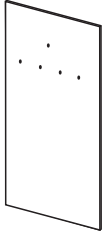
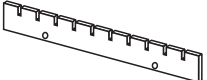
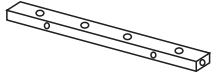
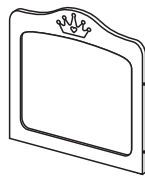


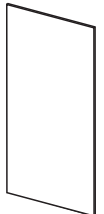
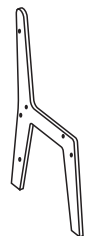
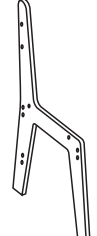
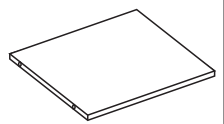
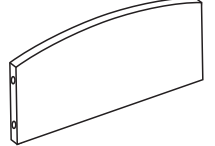
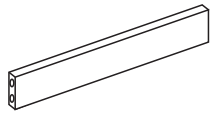





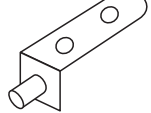

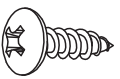
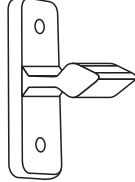
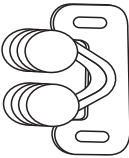

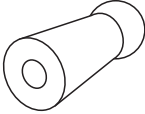

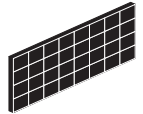
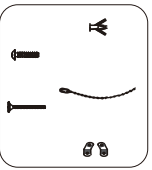
WARNING
CHOKING HAZARD-
Small parts. Not for children under 3 yrs.

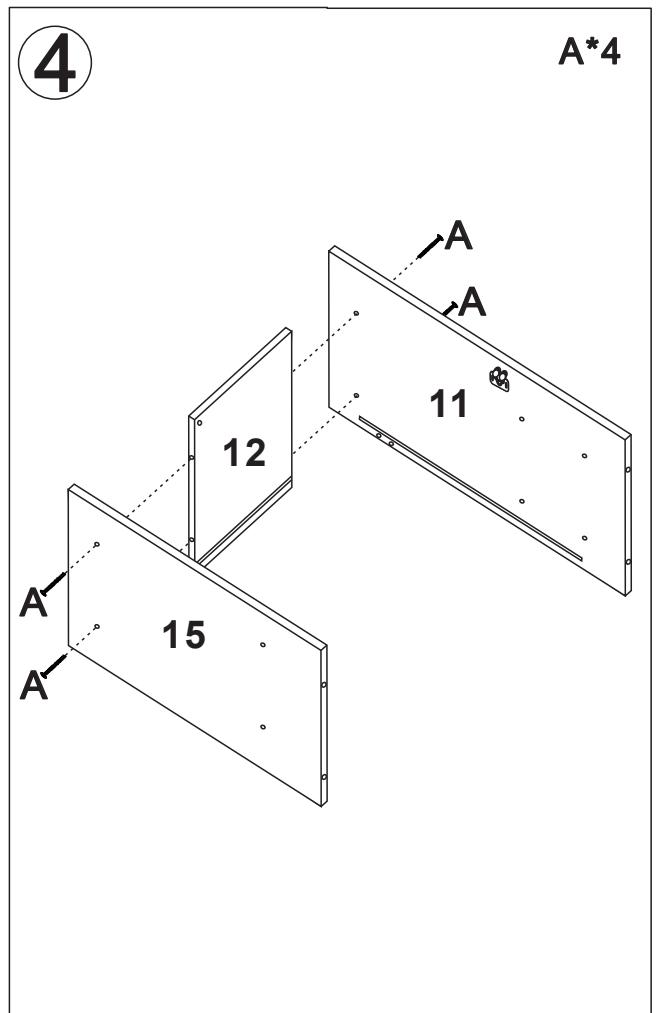
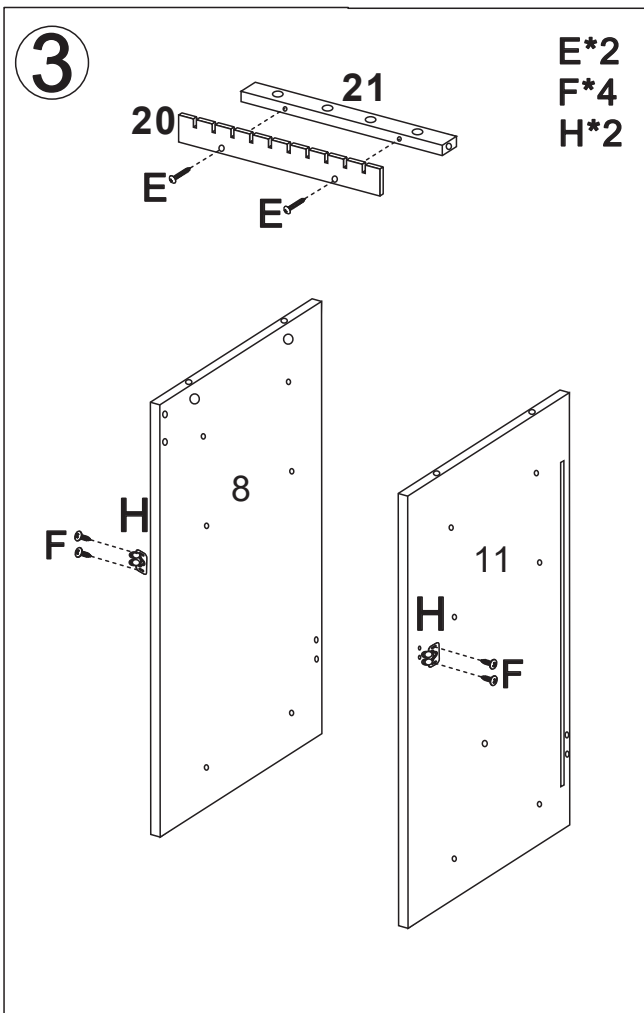
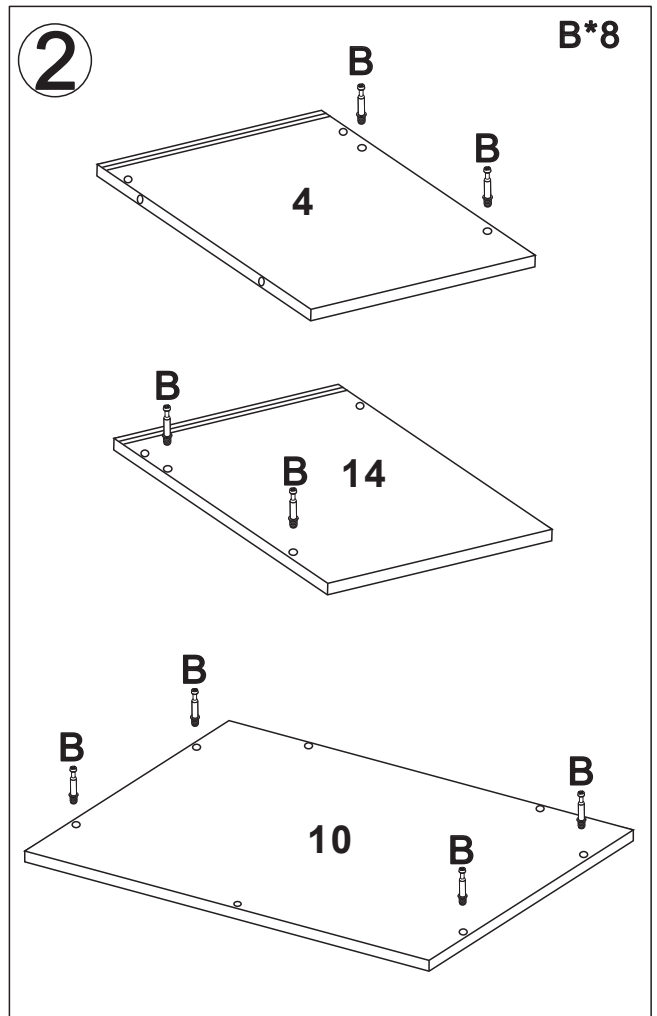
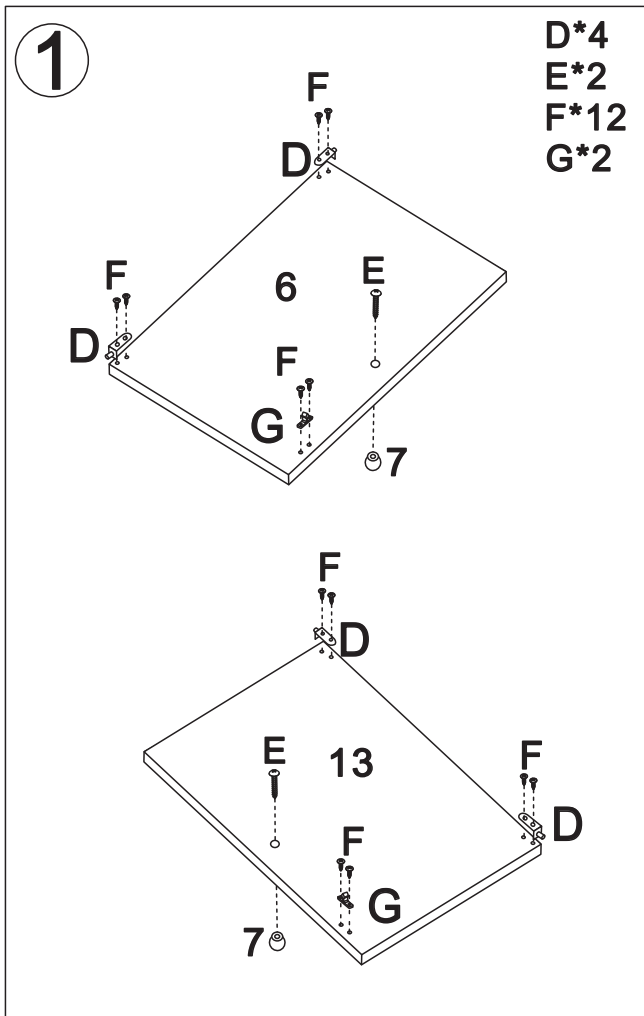
WARNING:
Assembly by an adult

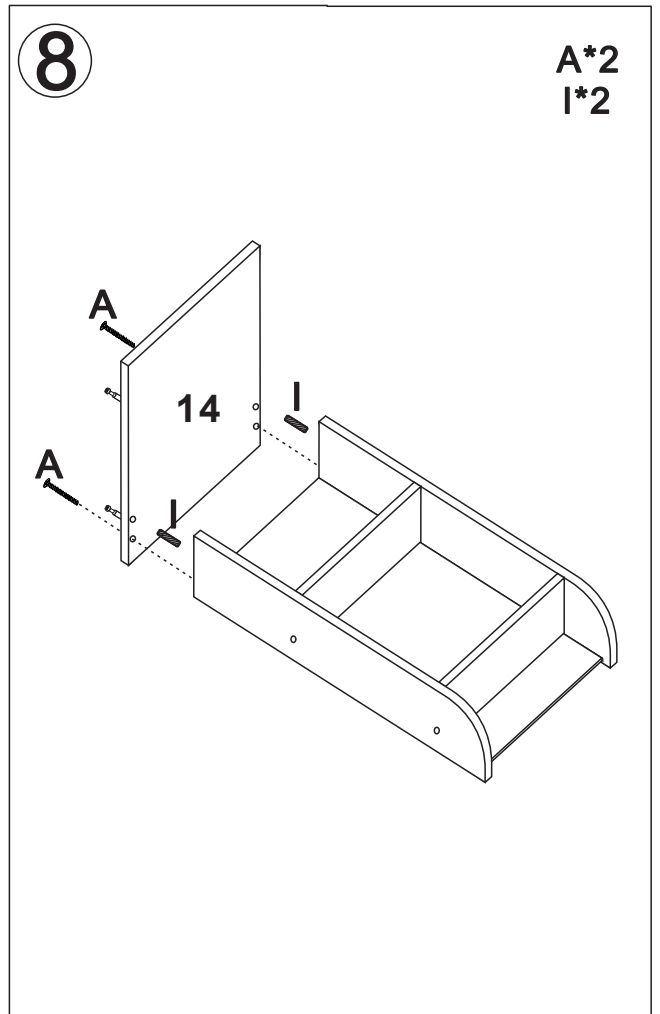
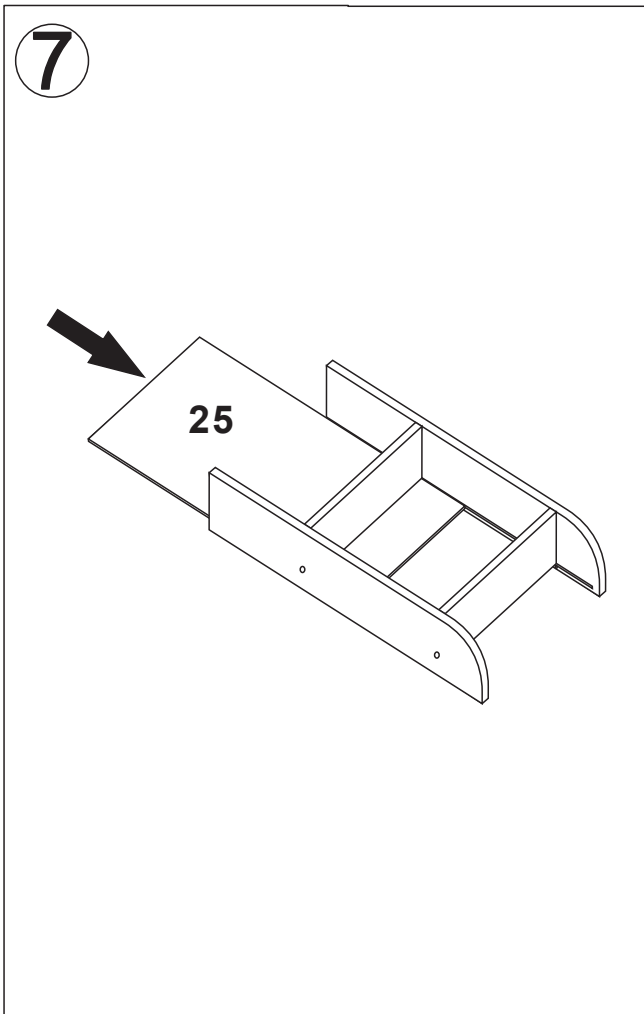
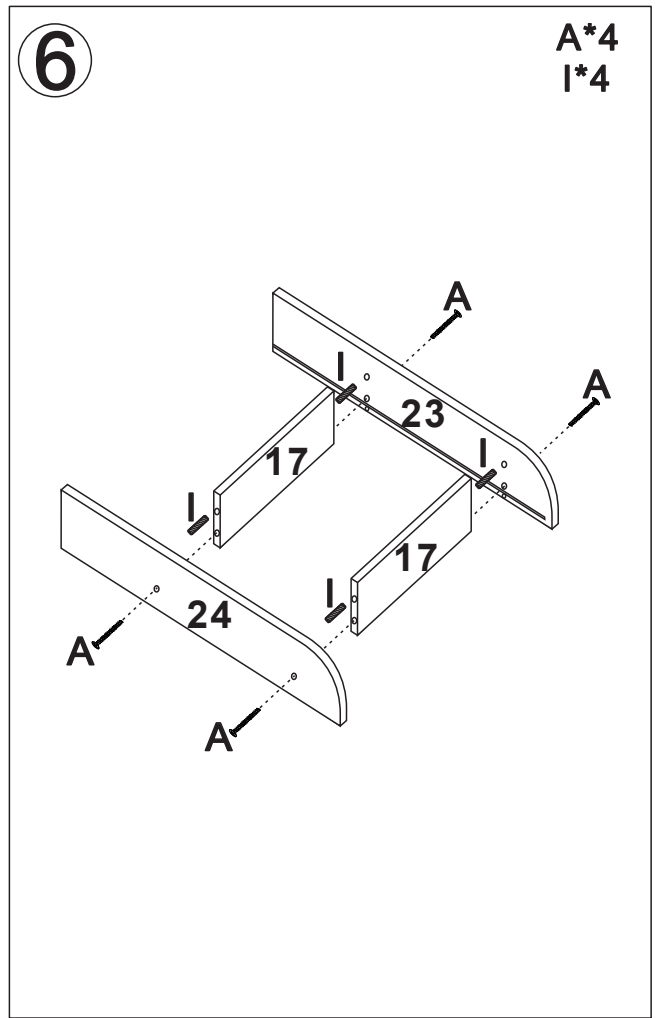
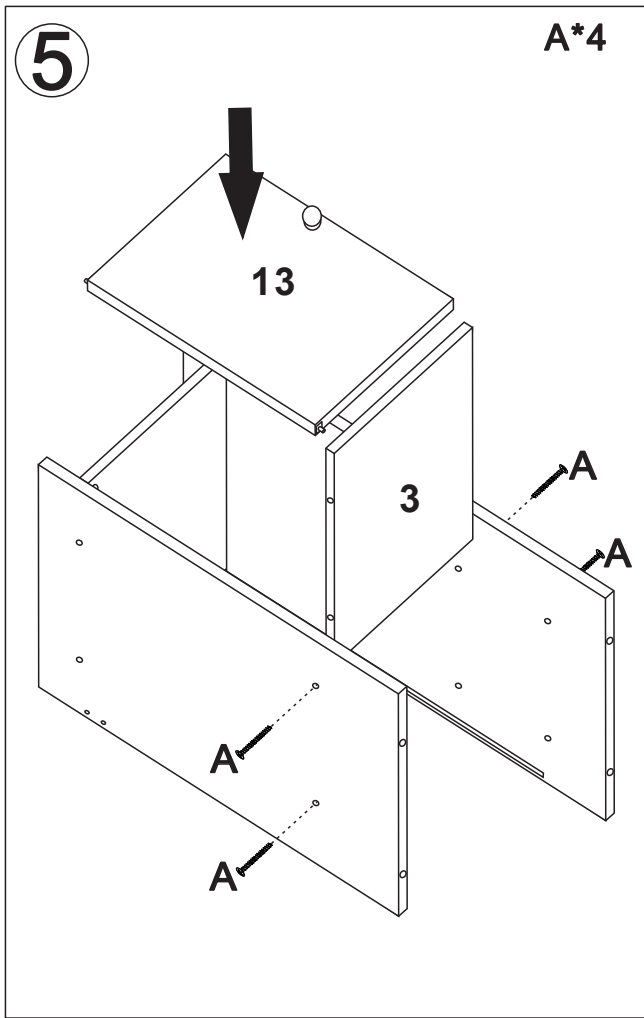
EXPLODED DRAWING

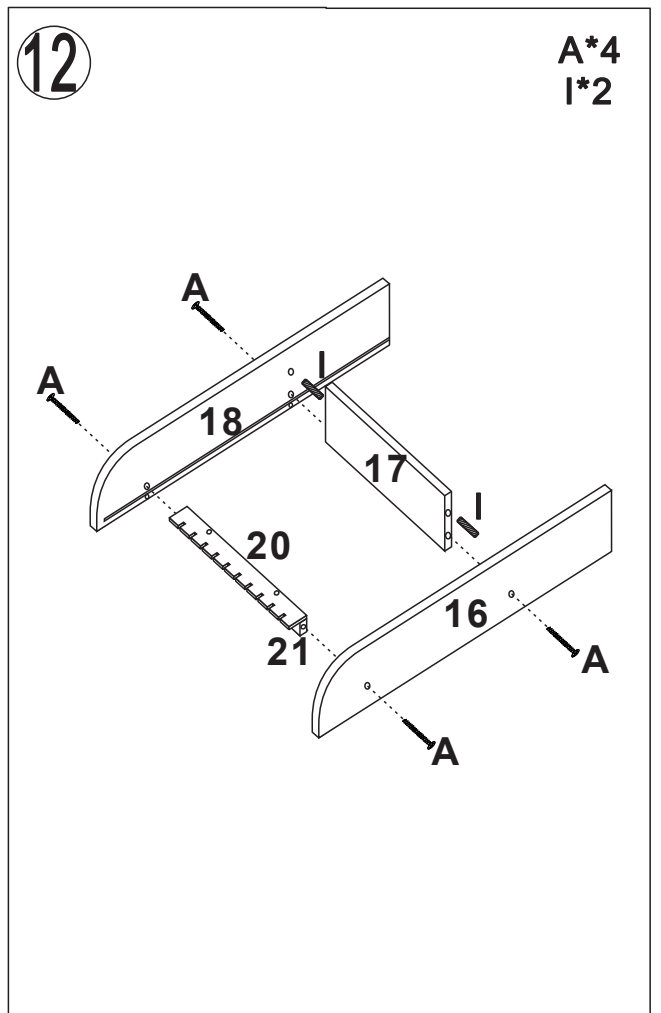
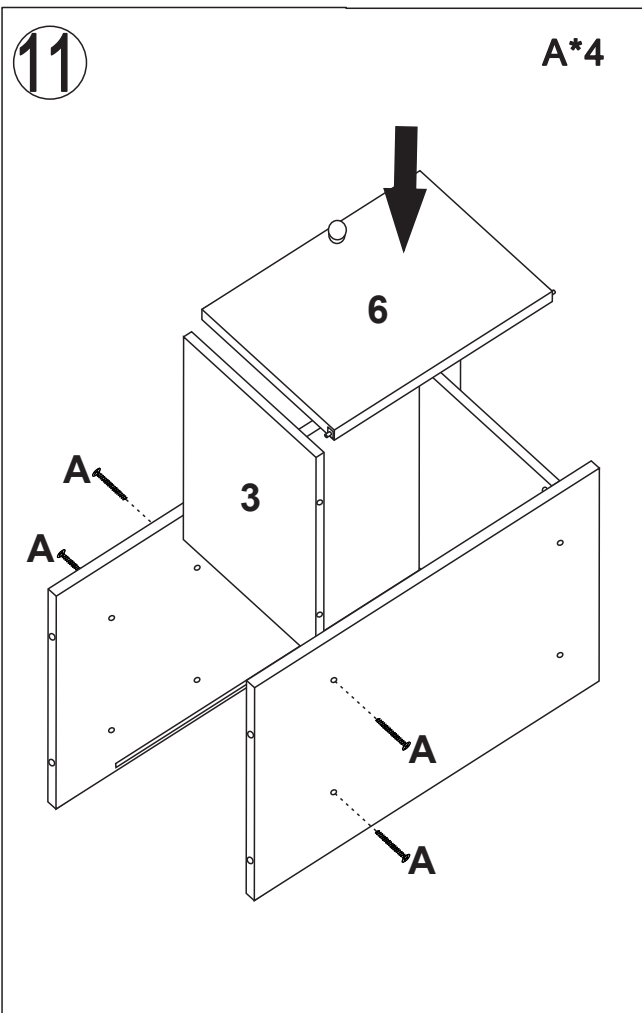
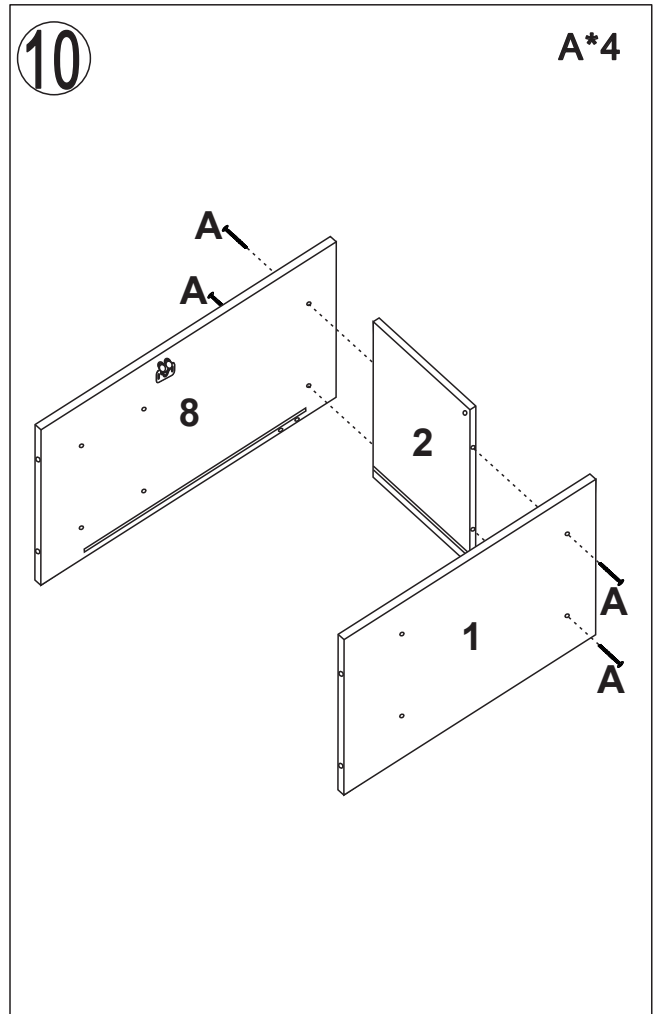
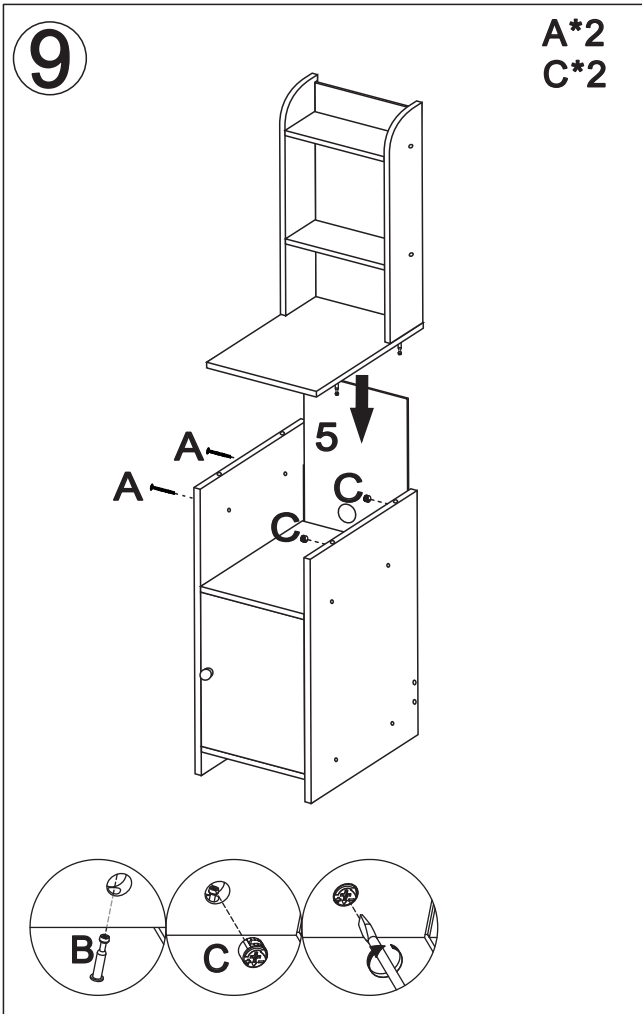


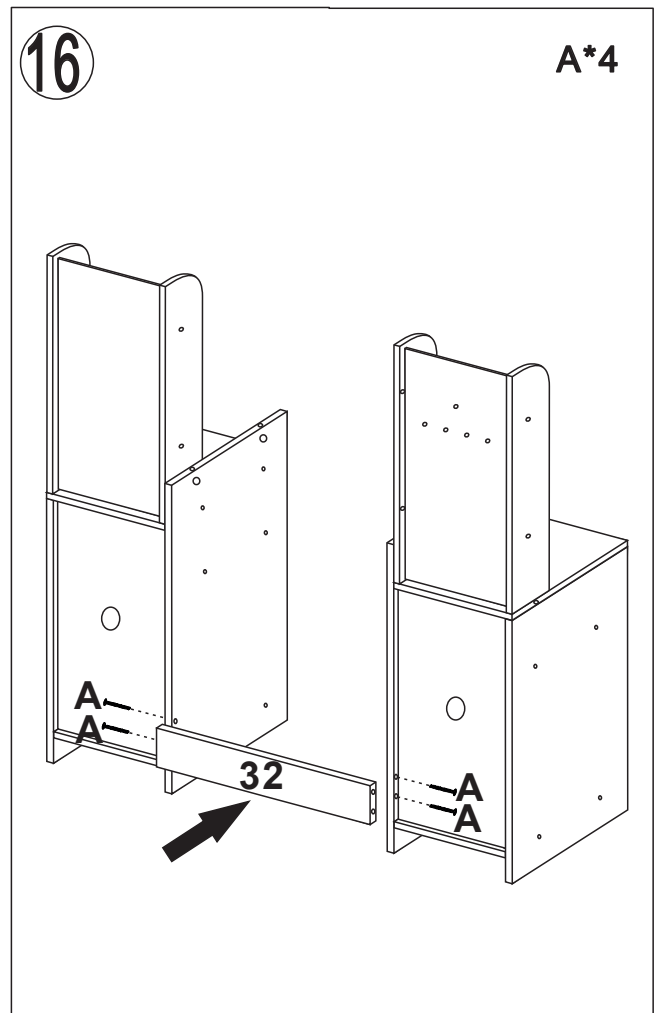
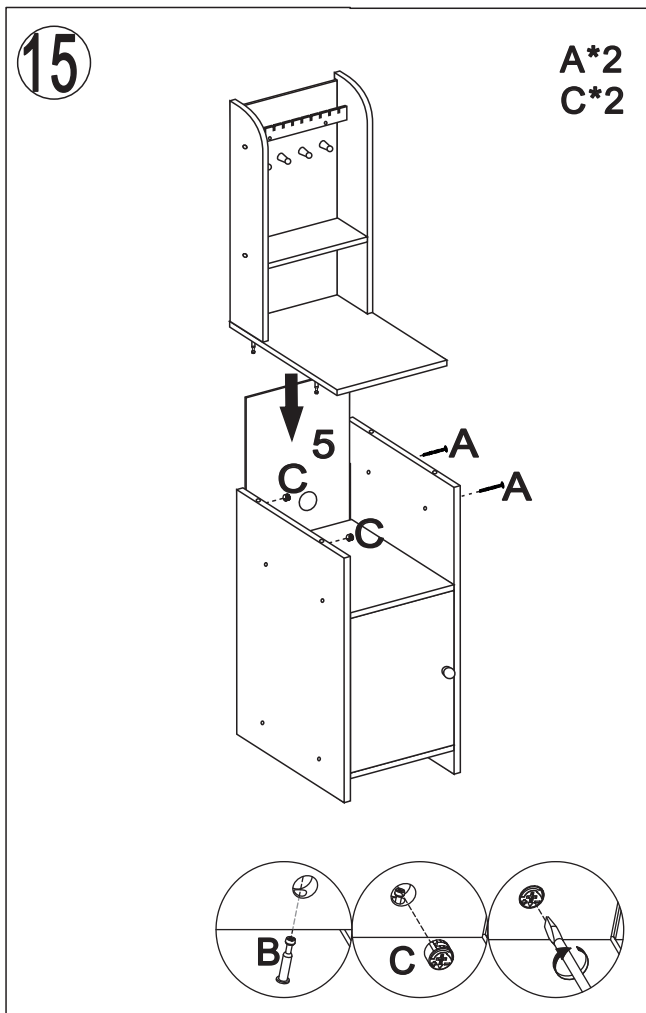
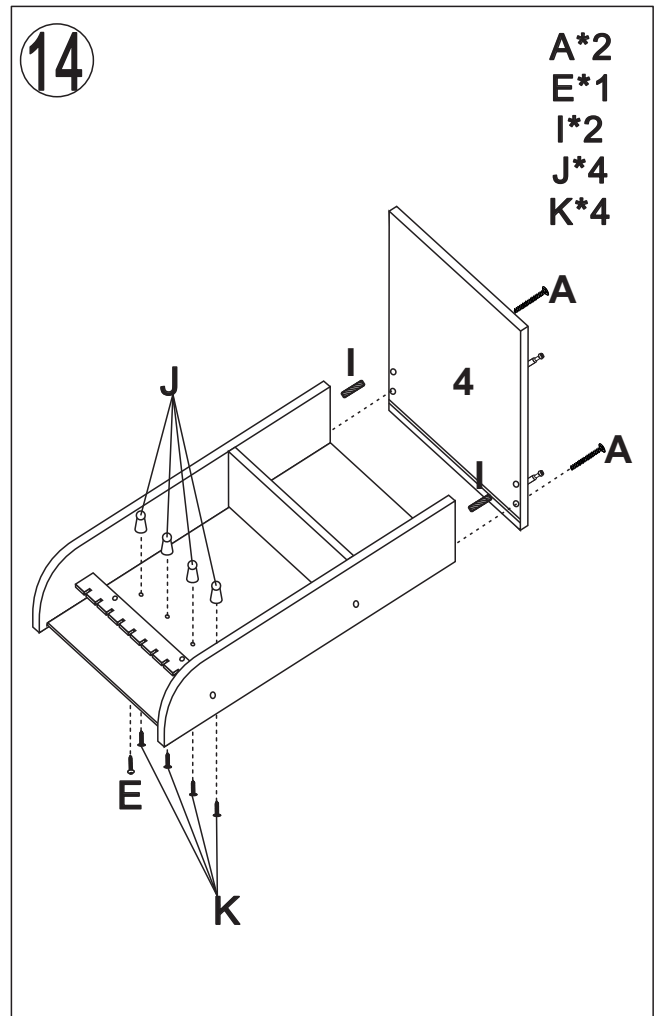
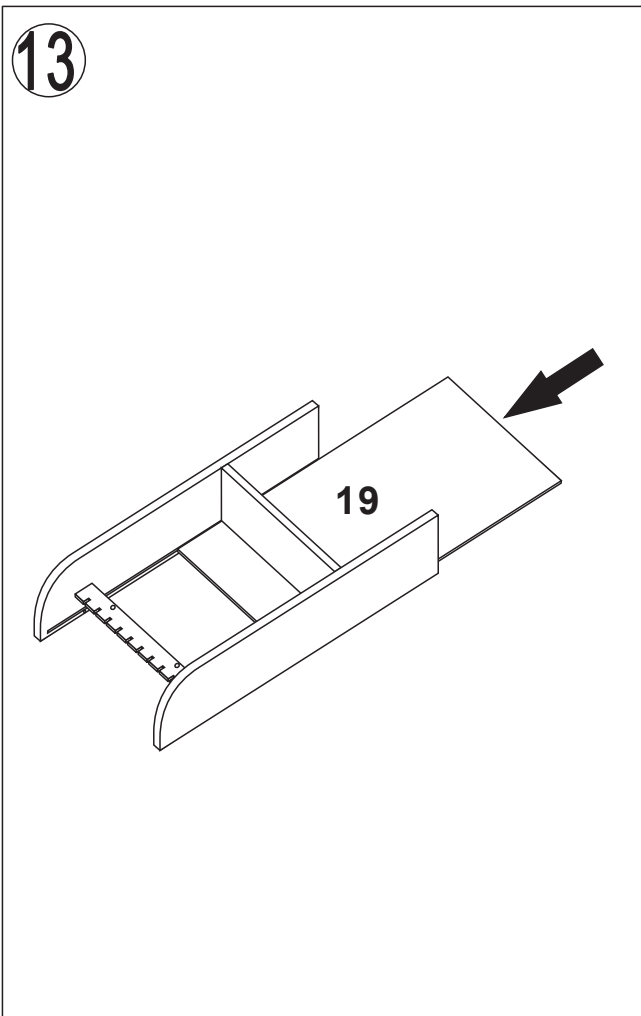
Part List

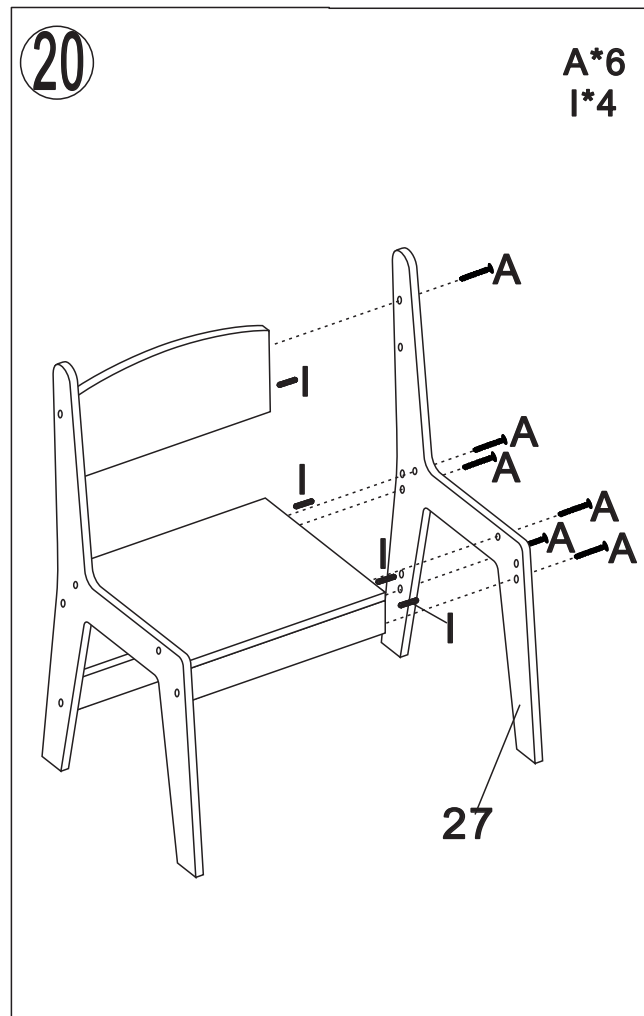
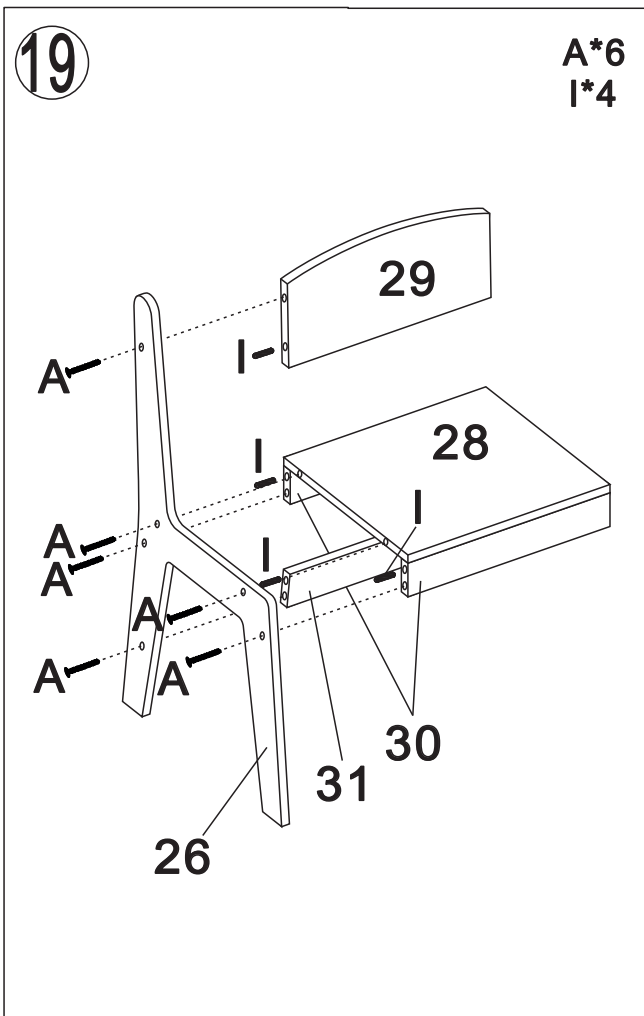
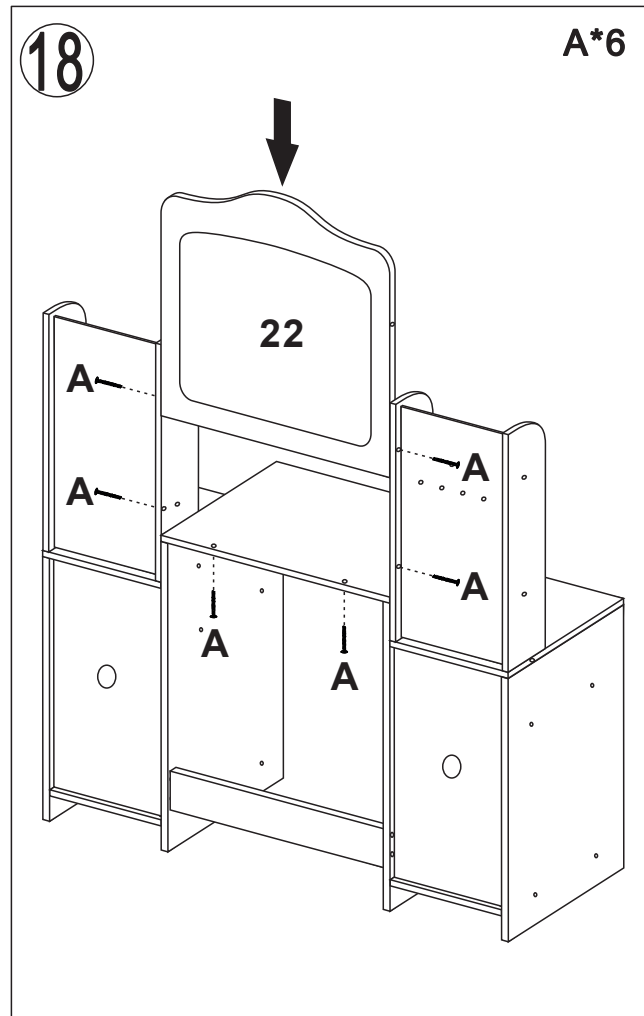
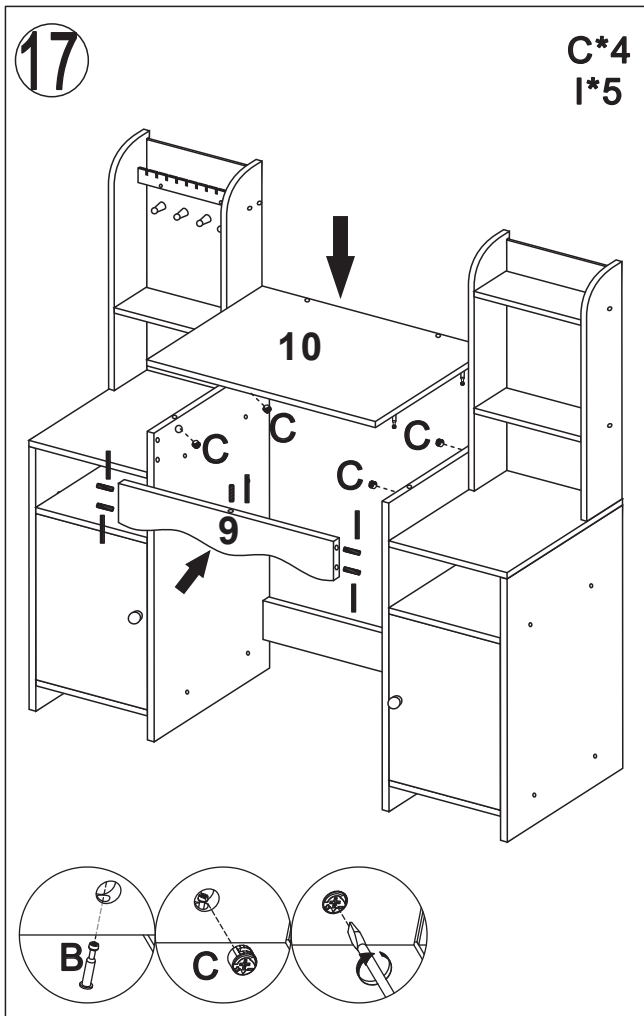
							
1: 1pc	2: 1pc	3: 2pcs	4: 1pc	5: 2pcs	6: 1pc		
							
7: 2pcs	8: 1pc	9: 1pc	10: 1pc	11: 1pc	12: 1pc		
							
13: 1pc	14: 1pc	15: 1pc	16: 1pc	17: 3pcs	18: 1pc		
							
19: 1pc	20: 1pc	21: 1pc	22: 1pc	23: 1pc	24: 1pc		
							
25: 1pc	26: 1pc	27: 1pc	28: 1pc	29: 1pc	30: 2pc		
		 Ø5x40mm A: 54pcs +5(spare)	 B: 8pcs	 C: 8pcs	 D: 4pcs	 Ø4x20mm E: 5pcs	
31: 1pc	32: 1pc						
 Ø3x8mm F: 16pcs +2(spare)	 G: 2pcs	 H: 2pcs	 Ø6x30mm I: 23pcs +1(spare)	 J: 4pcs	 Ø3x16mm K: 4pcs	 L: 1pc	 M: 1pc



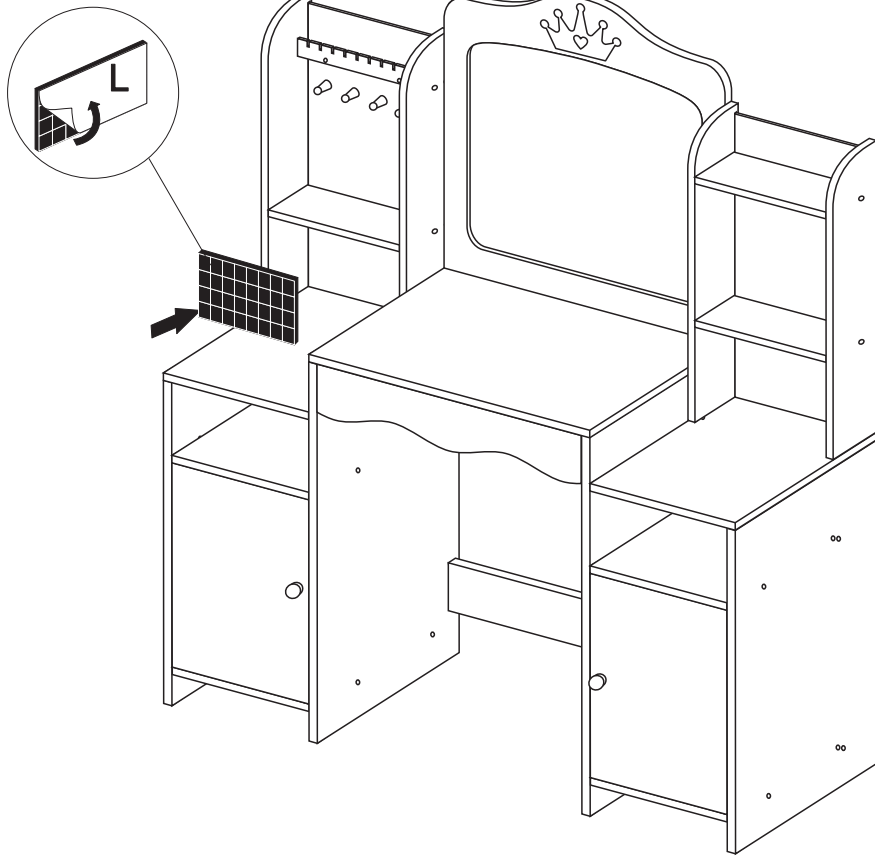




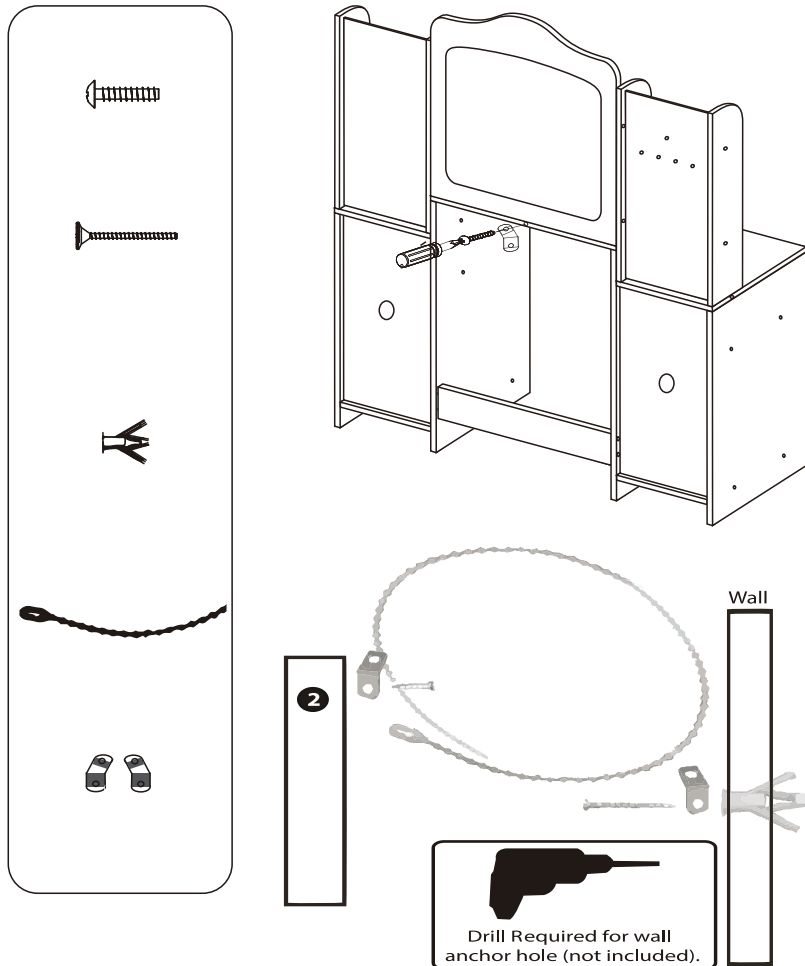




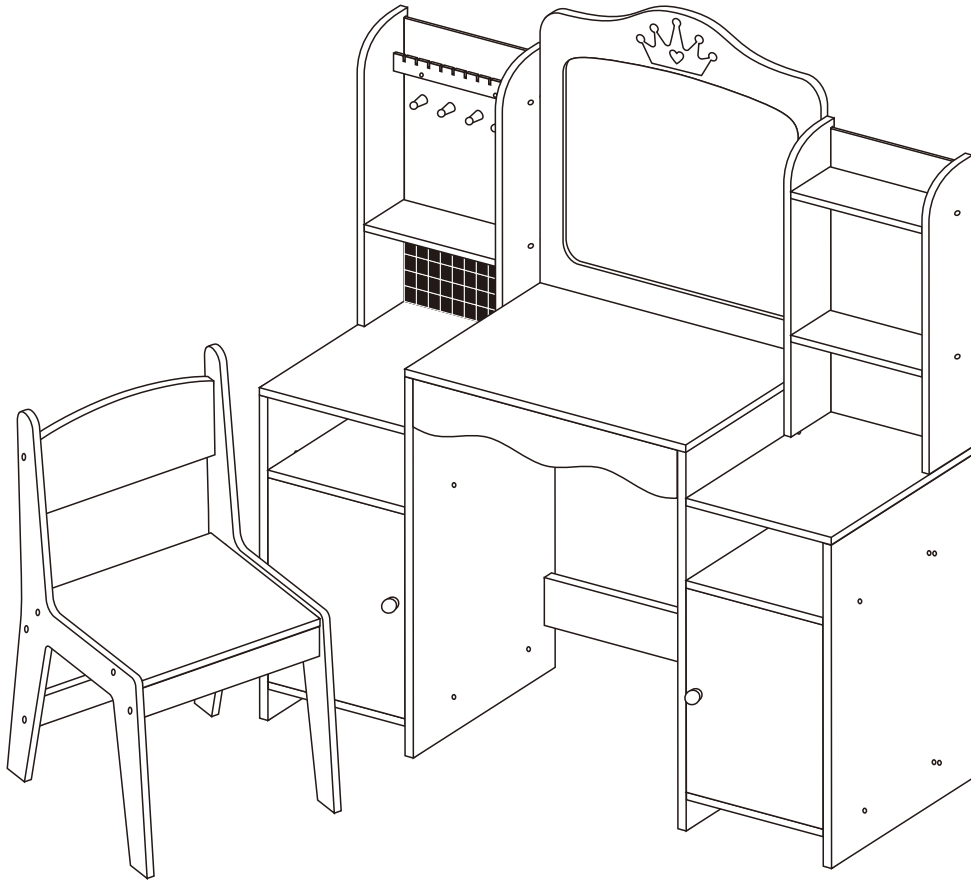
21



22



23



AFTER-SALE SERVICE

If you have any suggestions for our products or find that the products have quality problems, please contact us first, our after-sales team will reply you within 24 hours, and we will do our best to give you solutions until you are satisfied.

Guaranteed Customer Service

Your shopping experience is very important to us!
Feel unsatisfied? **Contact us!**
Have any questions? **Contact us!**

Wanna share your experience with our products?
Share your pictures with us.

Any suggestions? **Contact us!**
We gotcha back!