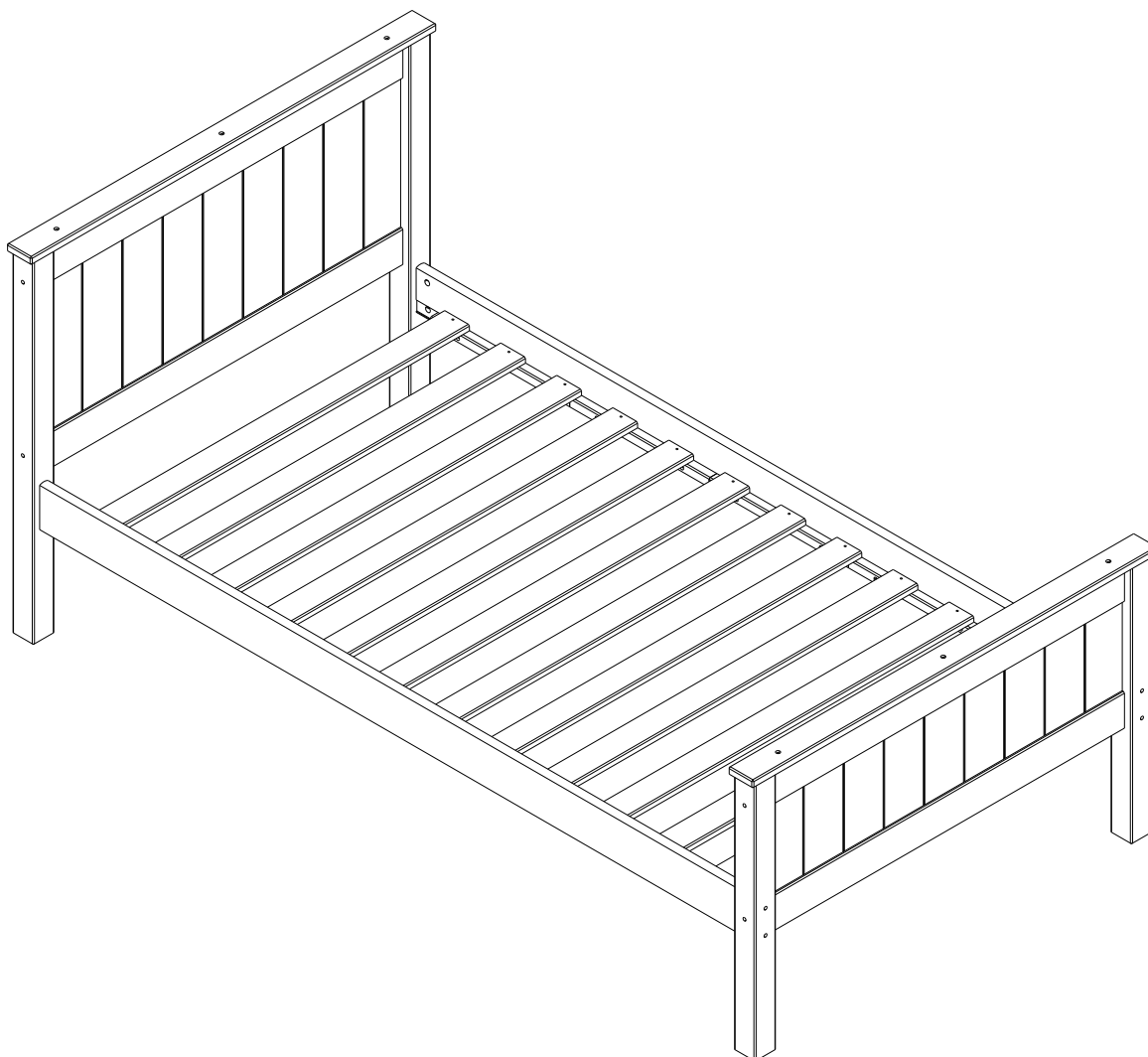


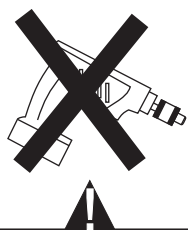
ASSEMBLY INSTRUCTIONS

TWIN HARMONY BED

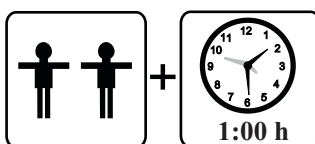


REPLACEMENT PARTS

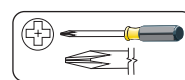
Please do not contact the company purchased from as we can help you faster.
Order replacement parts and hardware at "alaterrefurniture.com"



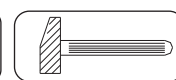
* Use of power tool to assemble this product will invalidate any claim and damage this product making it unsafe !!!
* Please assemble on a clean soft surface to avoid damage.



Tools Required

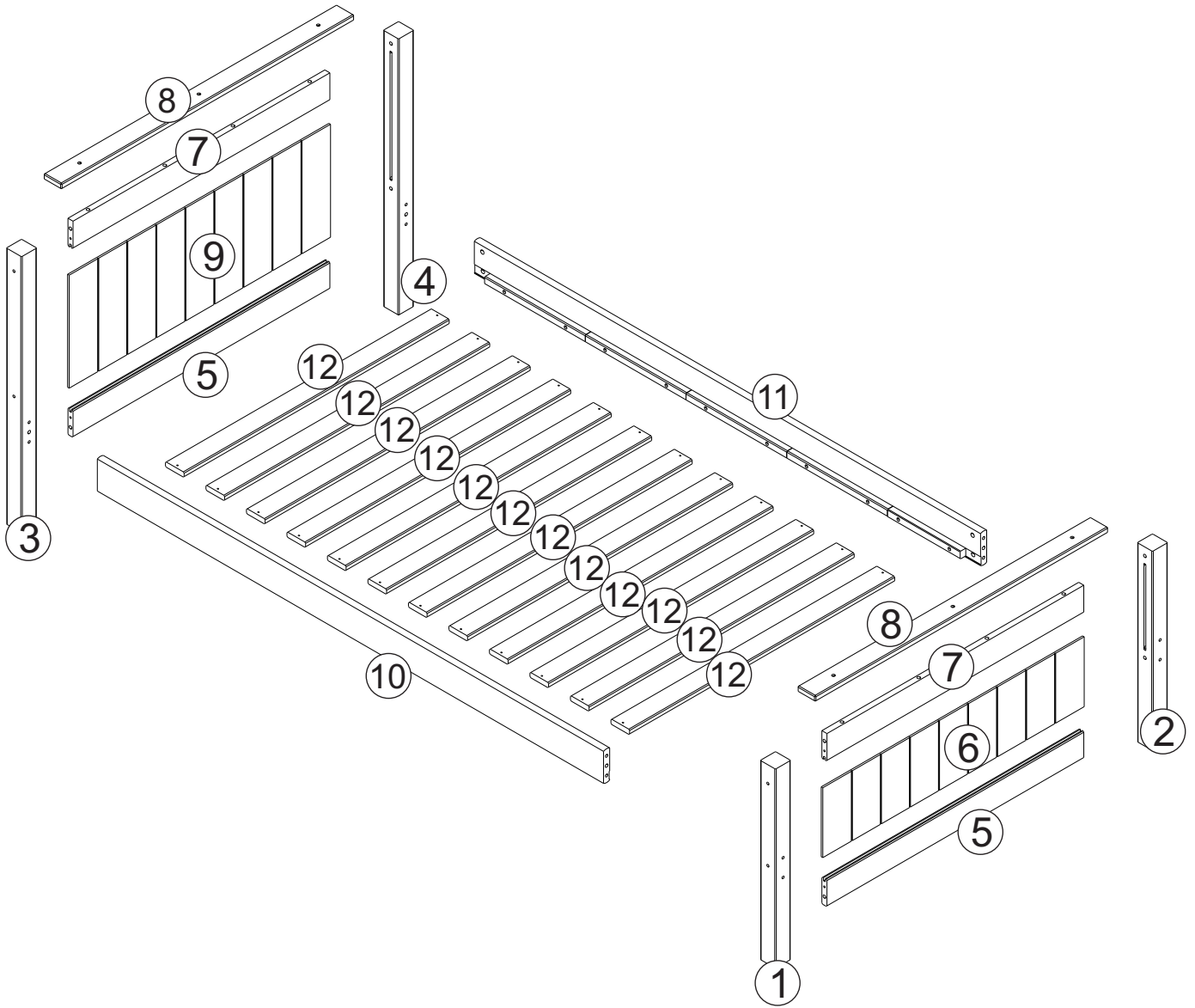


(Not included)


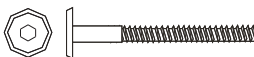
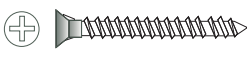


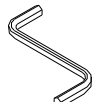




(Not included)

Part List - Twin Harmony Bed

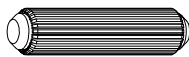


Identifying the Hardware-Identify the hardware using the illustrations below.

<p>A  08 1/4 x 100 x 17mm</p>	<p>B  08 7 x 100 x 17mm</p>	<p>C  06 4,0 x 40</p>
<p>D  20 10X40</p>	<p>E  08 1/4</p>	<p>F  16</p>
<p>G  24 4,0 x 35</p>	<p>H  02 82mm</p>	

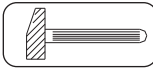
01

D

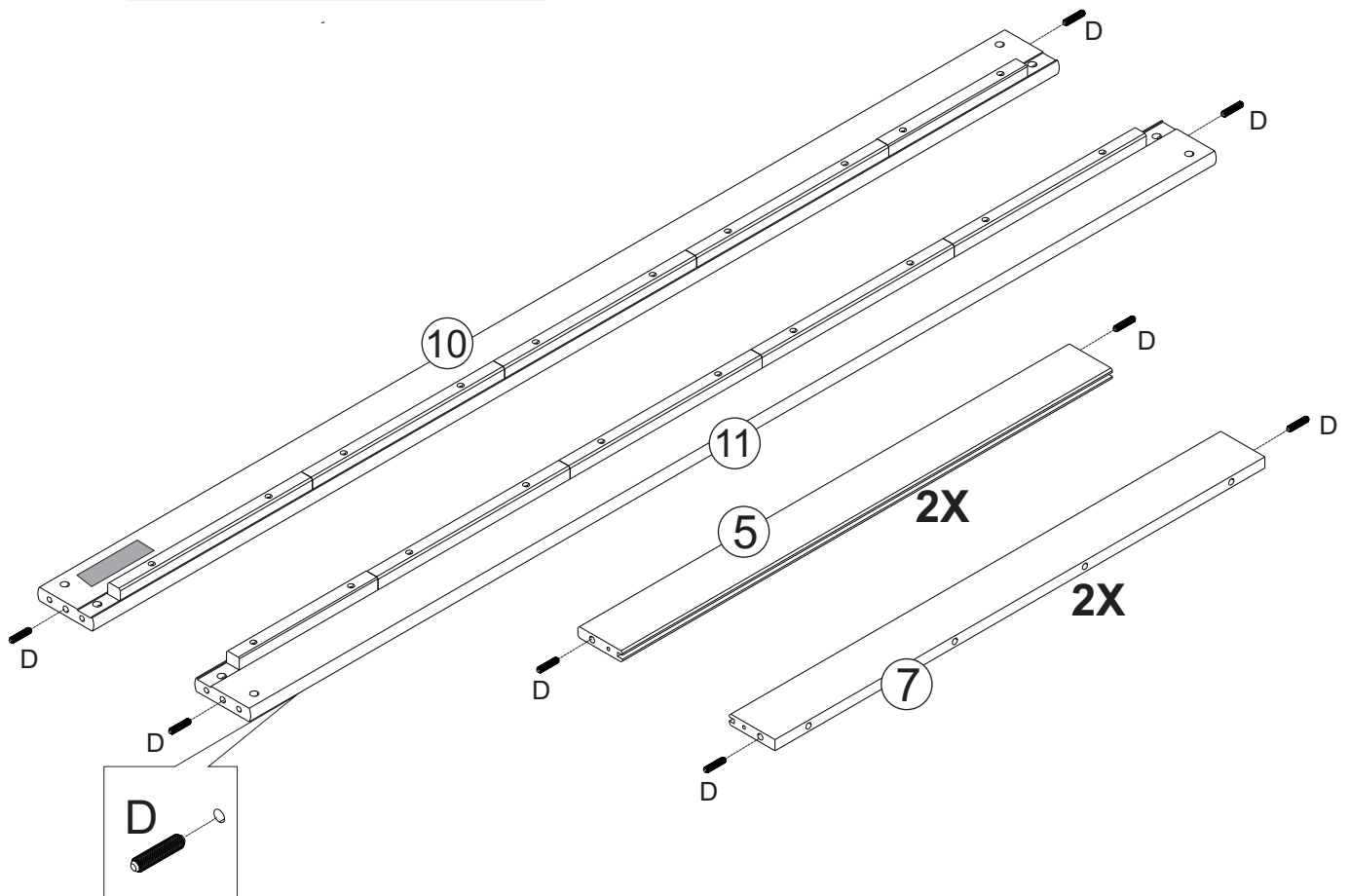


10X40

12

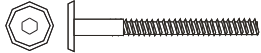


(Not included)



02

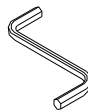
B



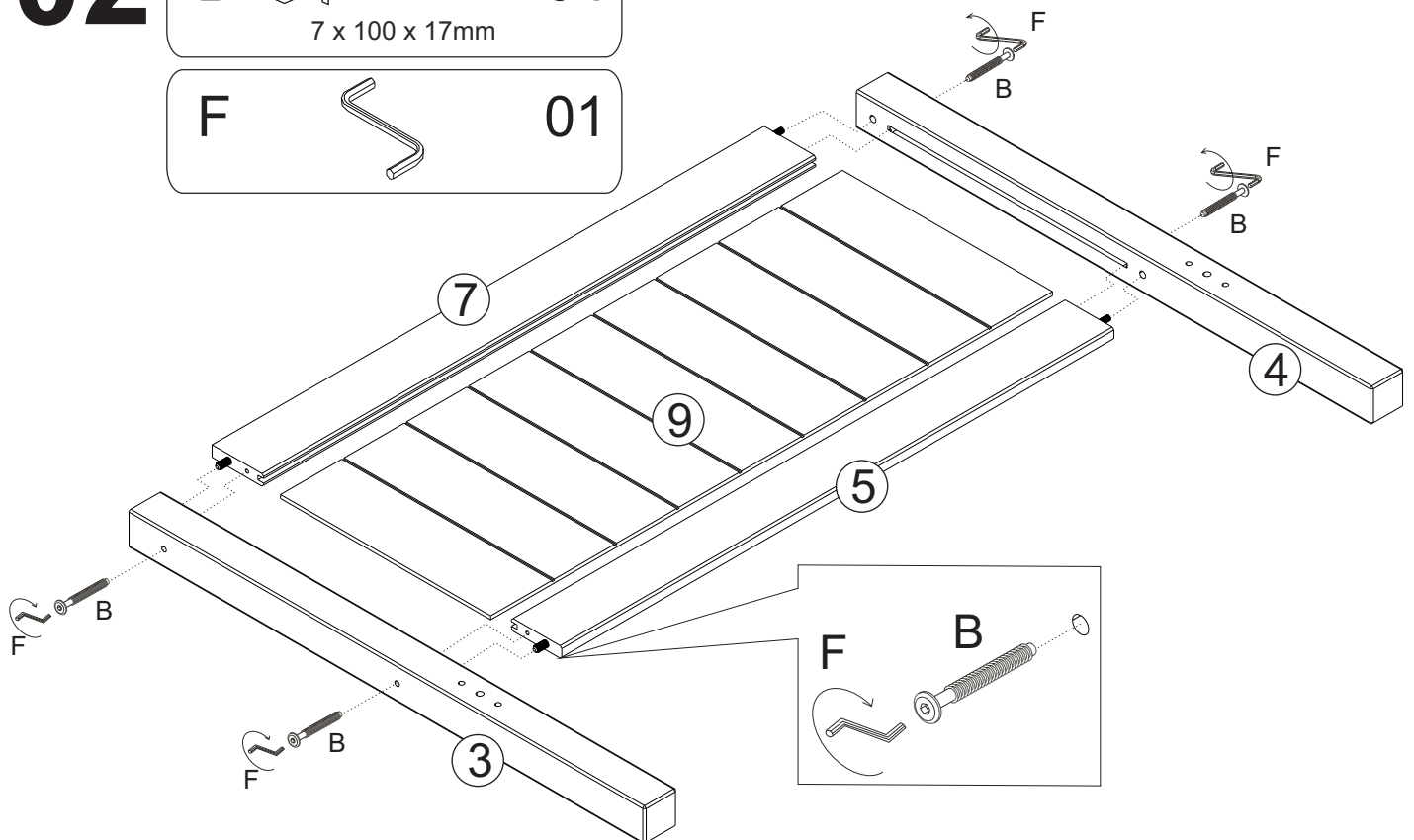
7 x 100 x 17mm

04

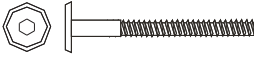
F

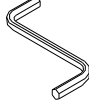


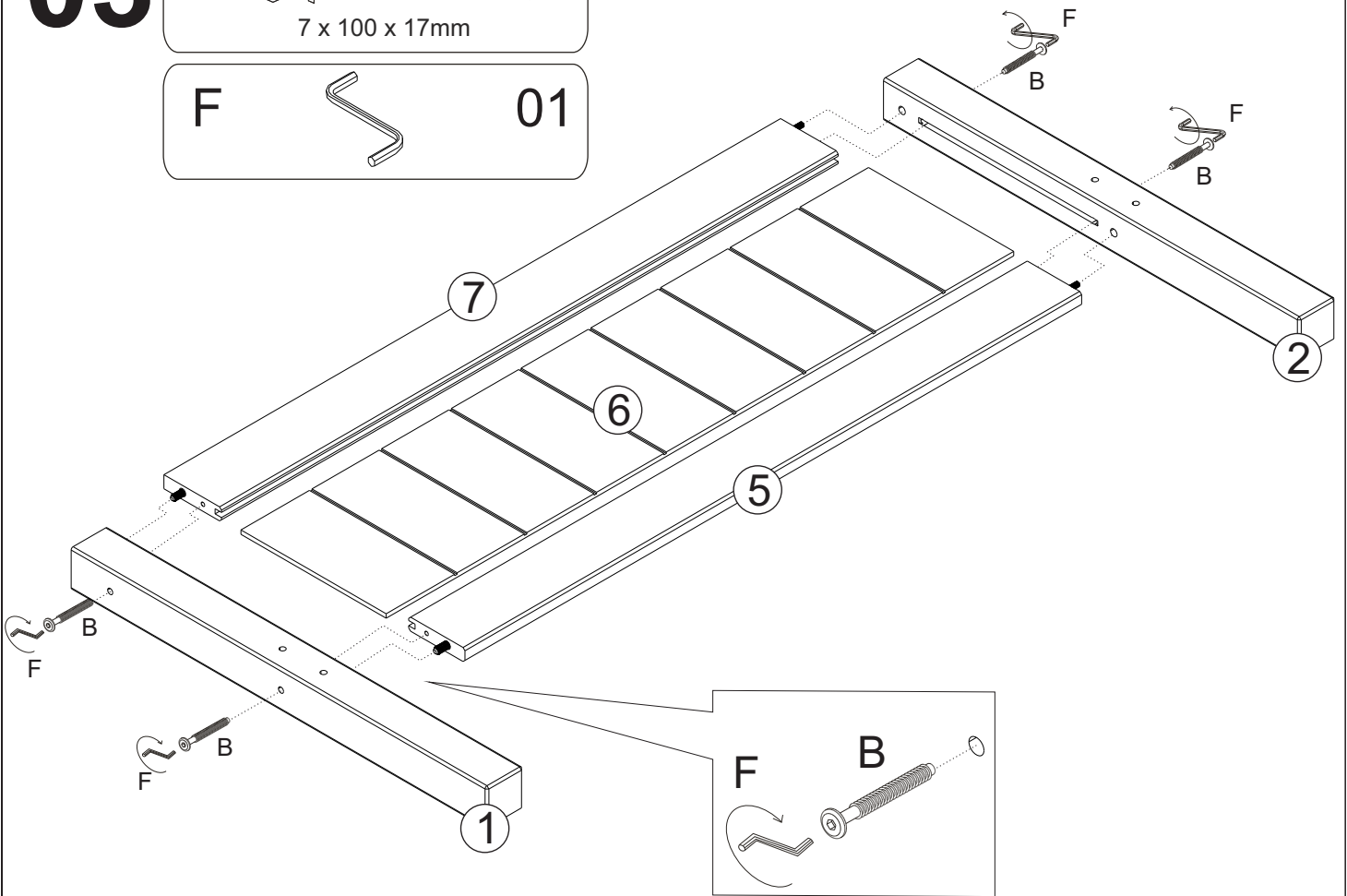
01




03

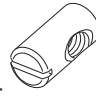
B  **04**
7 x 100 x 17mm

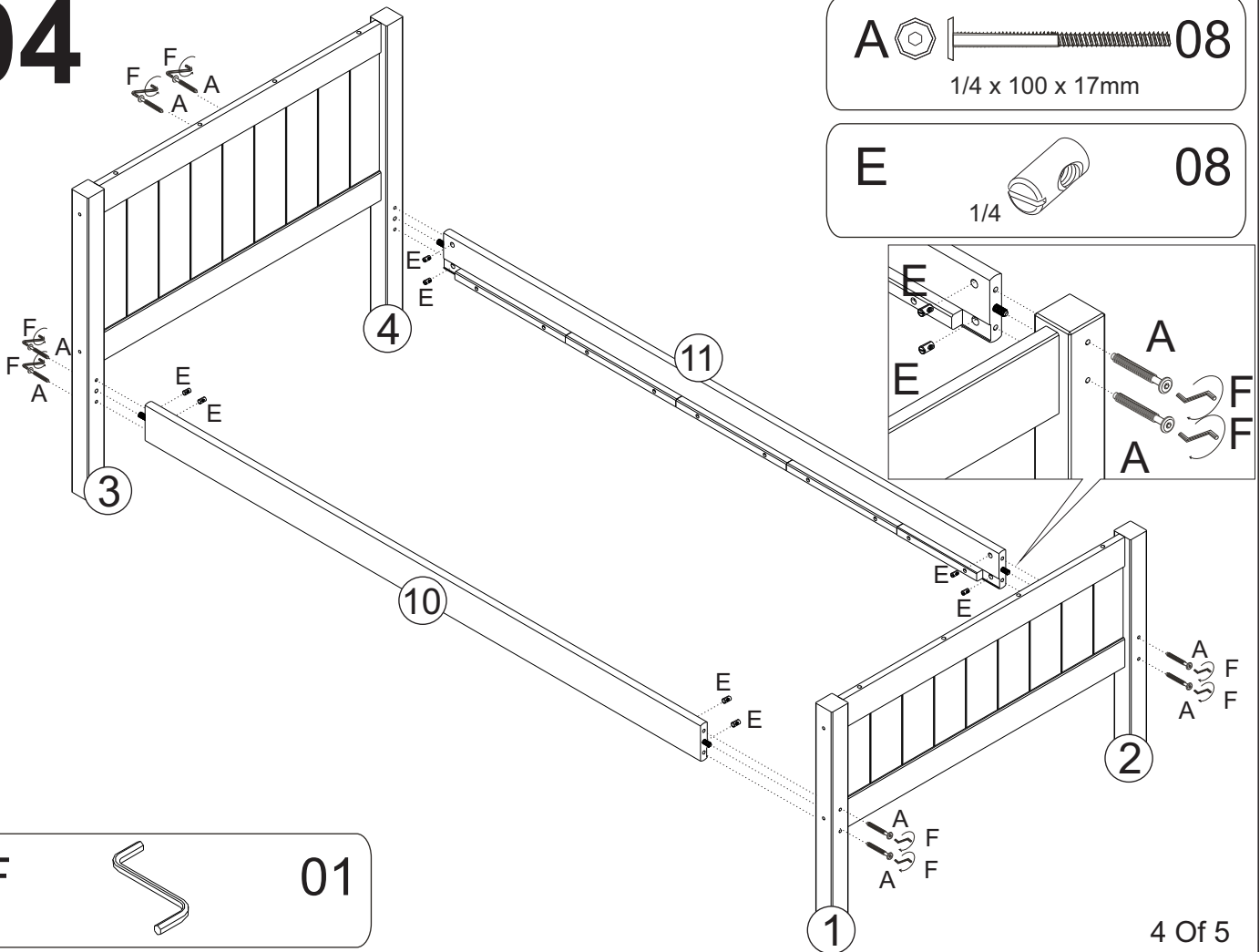
F  **01**



04

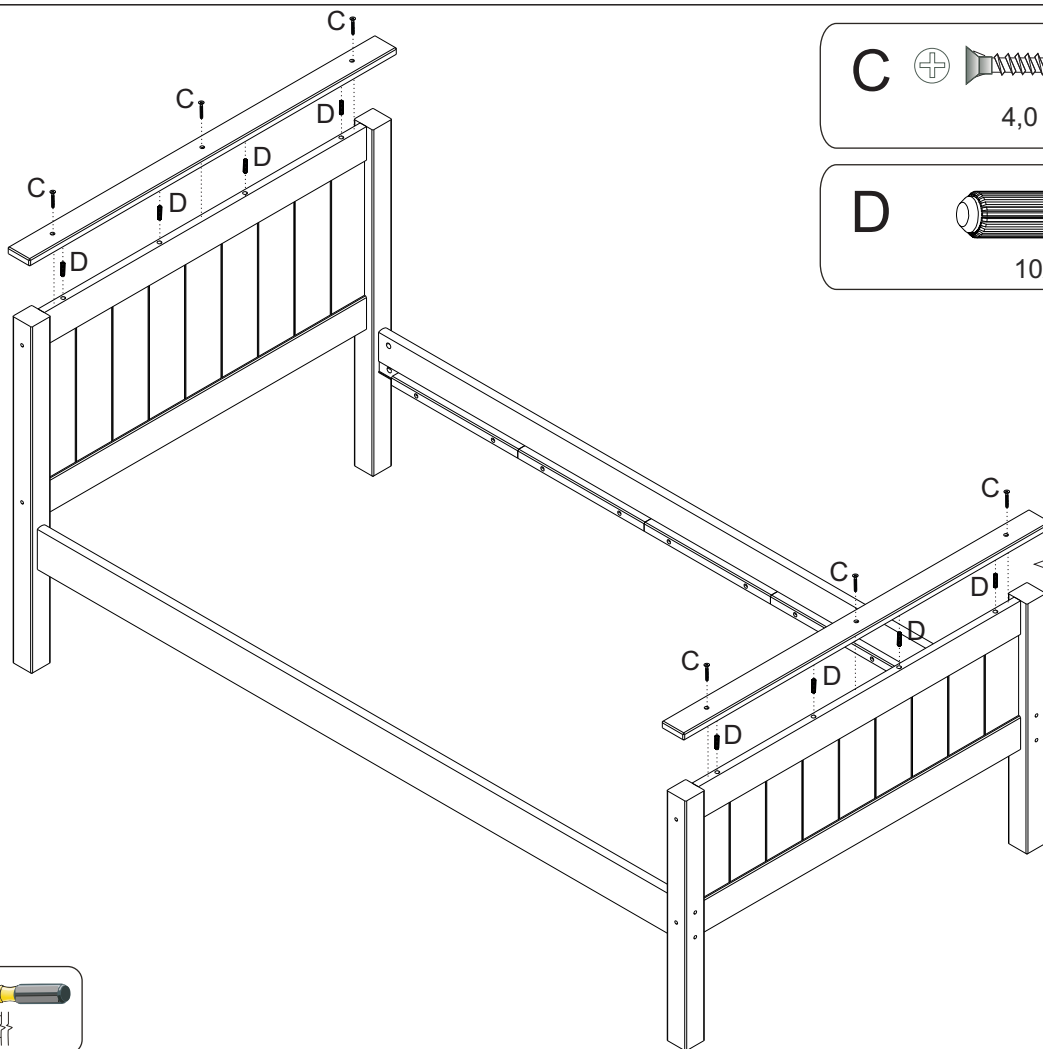
A  **08**
1/4 x 100 x 17mm


E  **08**
1/4

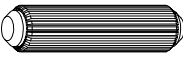


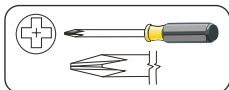
F  **01**

05

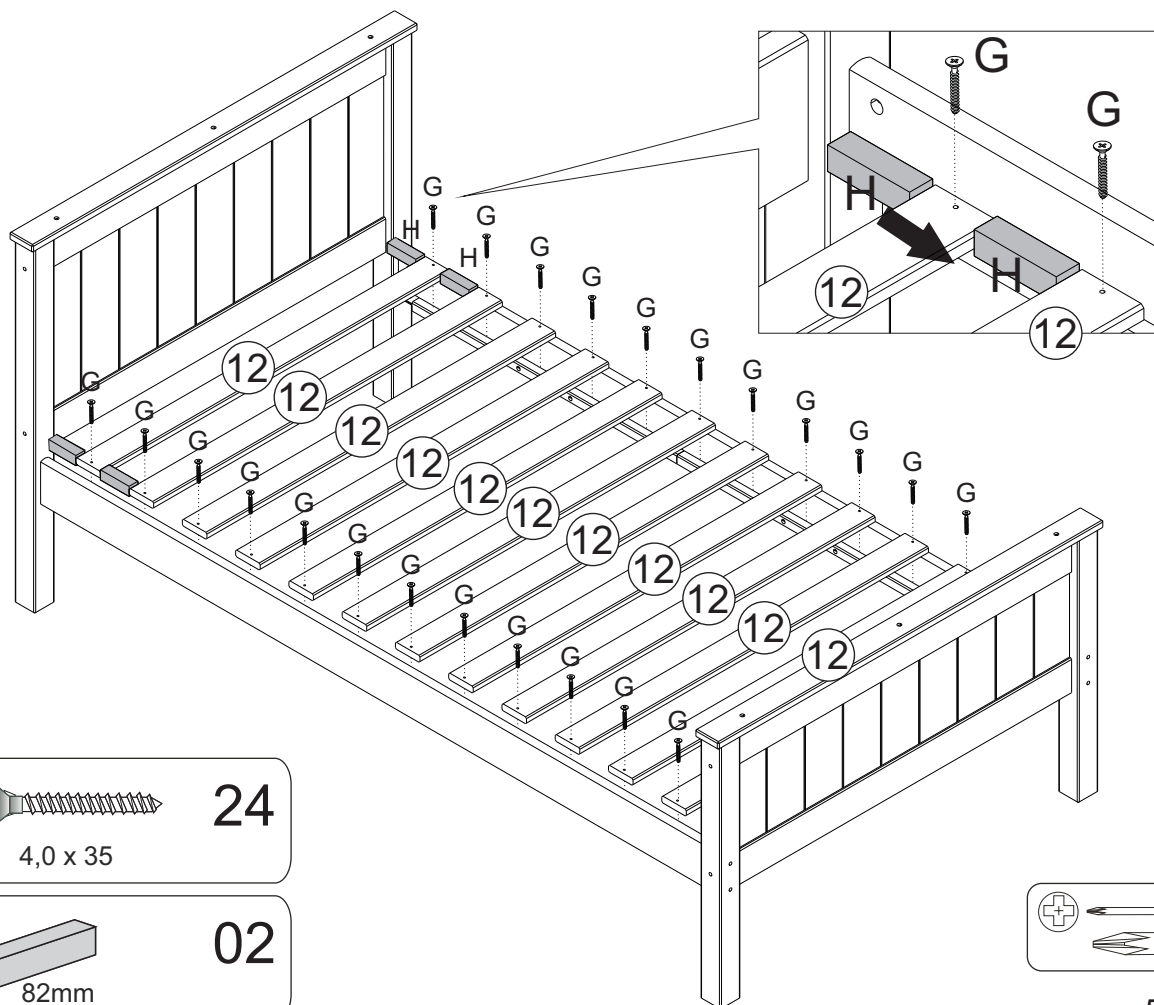



C  **06**
4,0 x 40

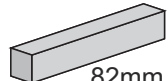
D  **08**
10X40



06



G  **24**
4,0 x 35

H  **02**
82mm

