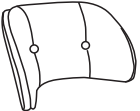

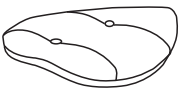


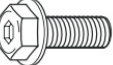

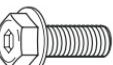
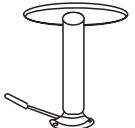



Please check that all fittings are available and in good condition before assembly.  
 If you have any questions, please contact us , we will solve your problem in the first time.

## PARTS LIST

Ax1 	Fx1  Please remove the black cap before assembly
Bx1 	Gx3  M6*20mm
Cx1 	Hx4  M6*20mm
Dx1 	Ix4  M6*16mm
Ex1 	Jx1 

## ASSEMBLE INSTRUCTION

