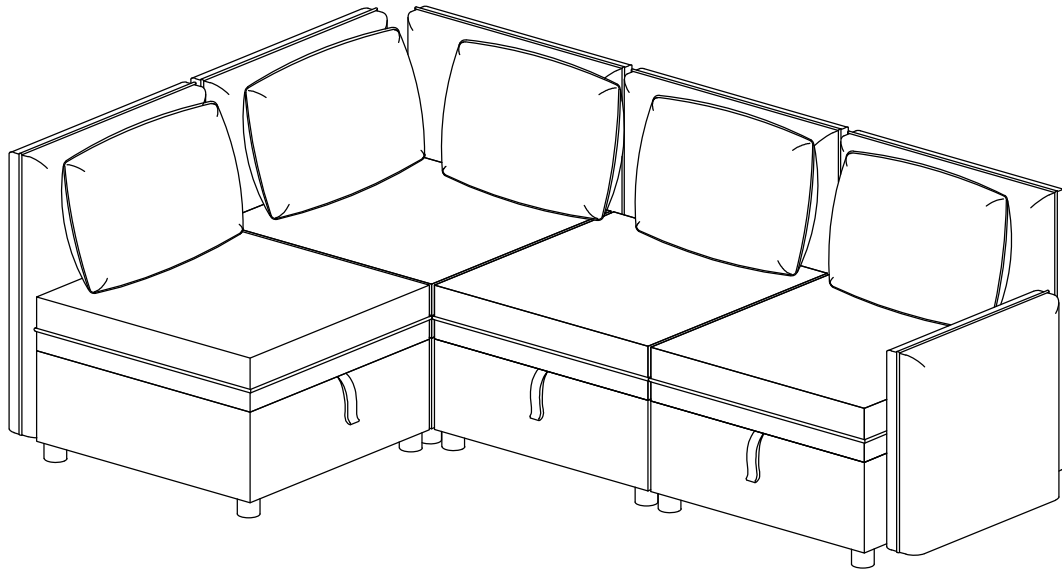
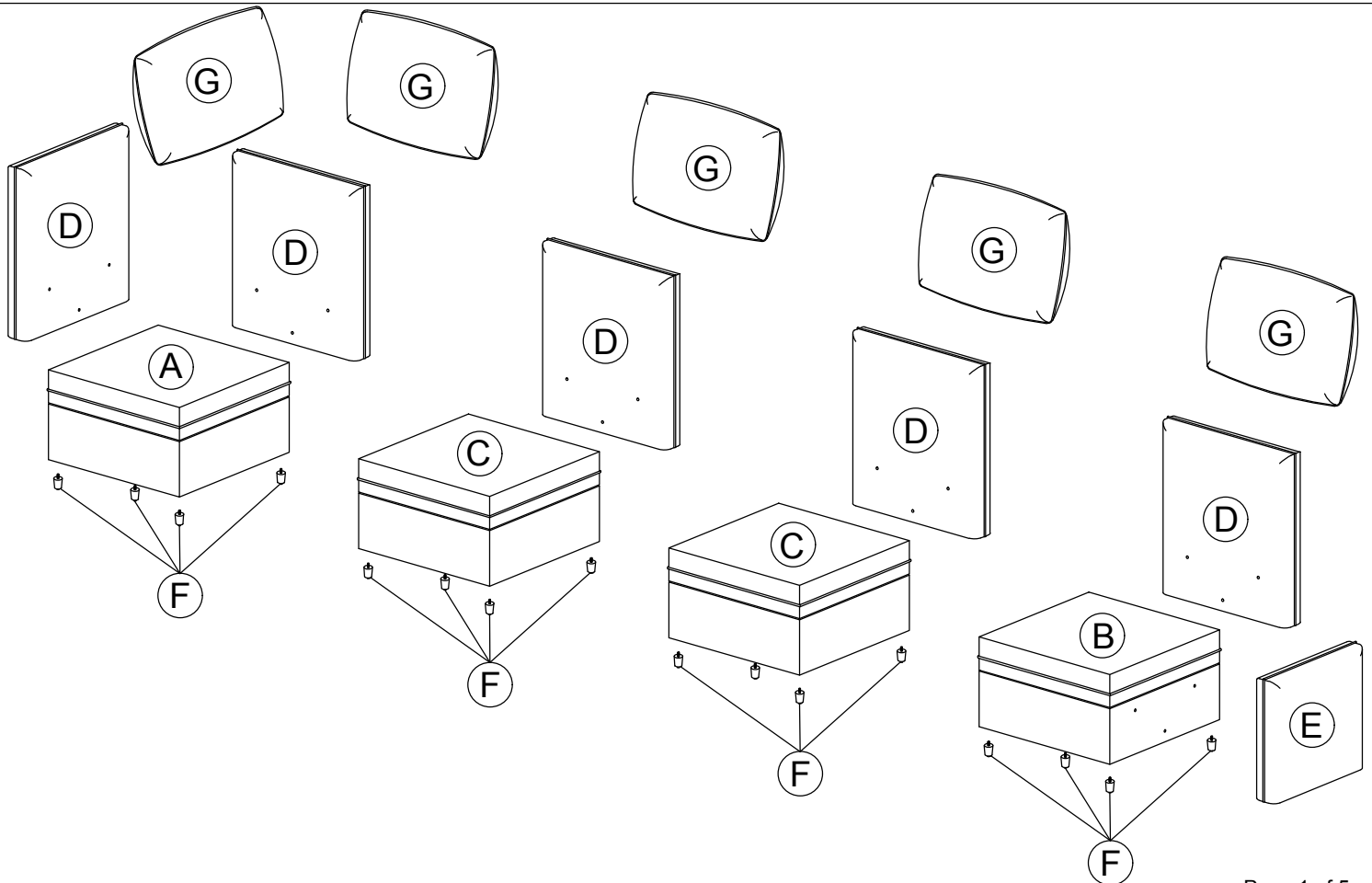


# ASSEMBLY INSTRUCTION

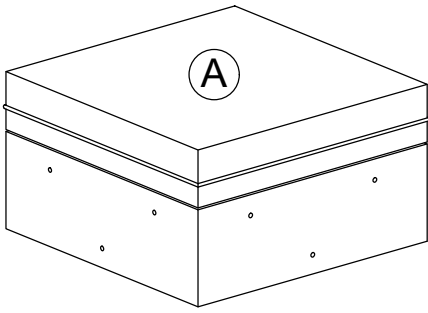
ITEM NO.: WF305490-WF305491-WF305492



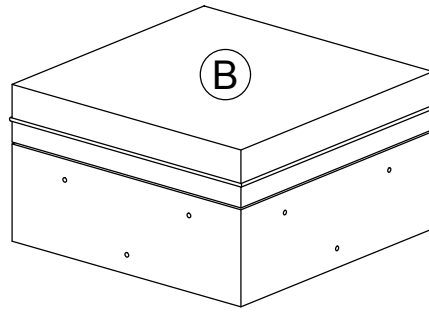
## PARTS



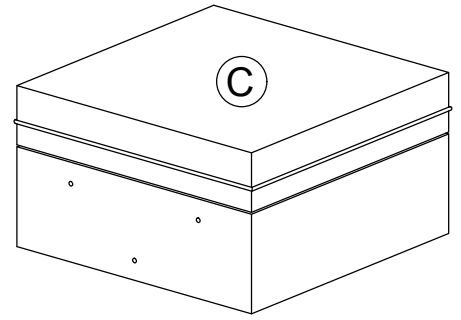
# PARTS LIST



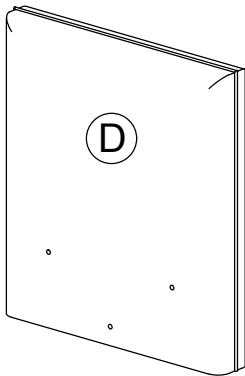
Chair Box Left  
X 1PC



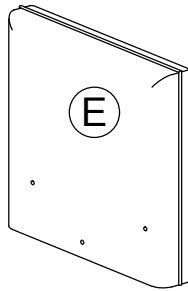
Chair Box Right  
X 1PC



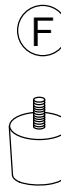
Chair Box Middle  
X 2PCS



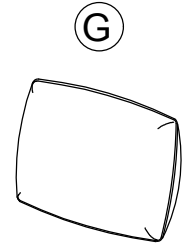
Back Frame  
X 5PCS



Arm Frame  
X 1PC

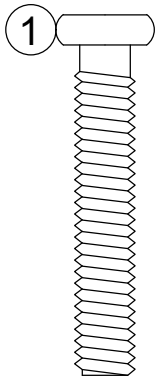


Legs  
X 16PCS

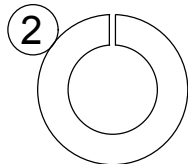


Pillow  
X 5PCS

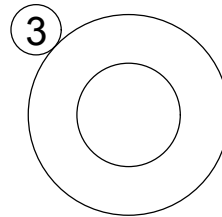
# HARDWARE



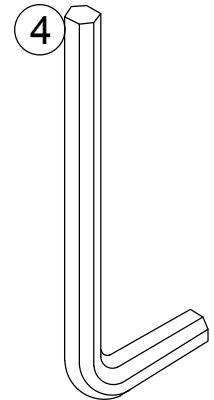
Bolt  
5/16" X 2-1/2" X 18



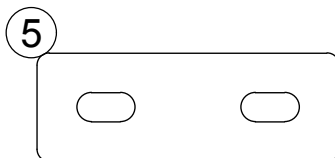
Spring Washer  
X 18



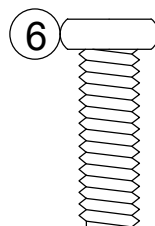
Washer  
5/16" X 19mm X 30



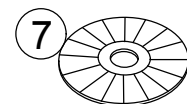
Allen Key 4 mm



Iron link  
X 6



Bolt  
1/4" X 1" X 12



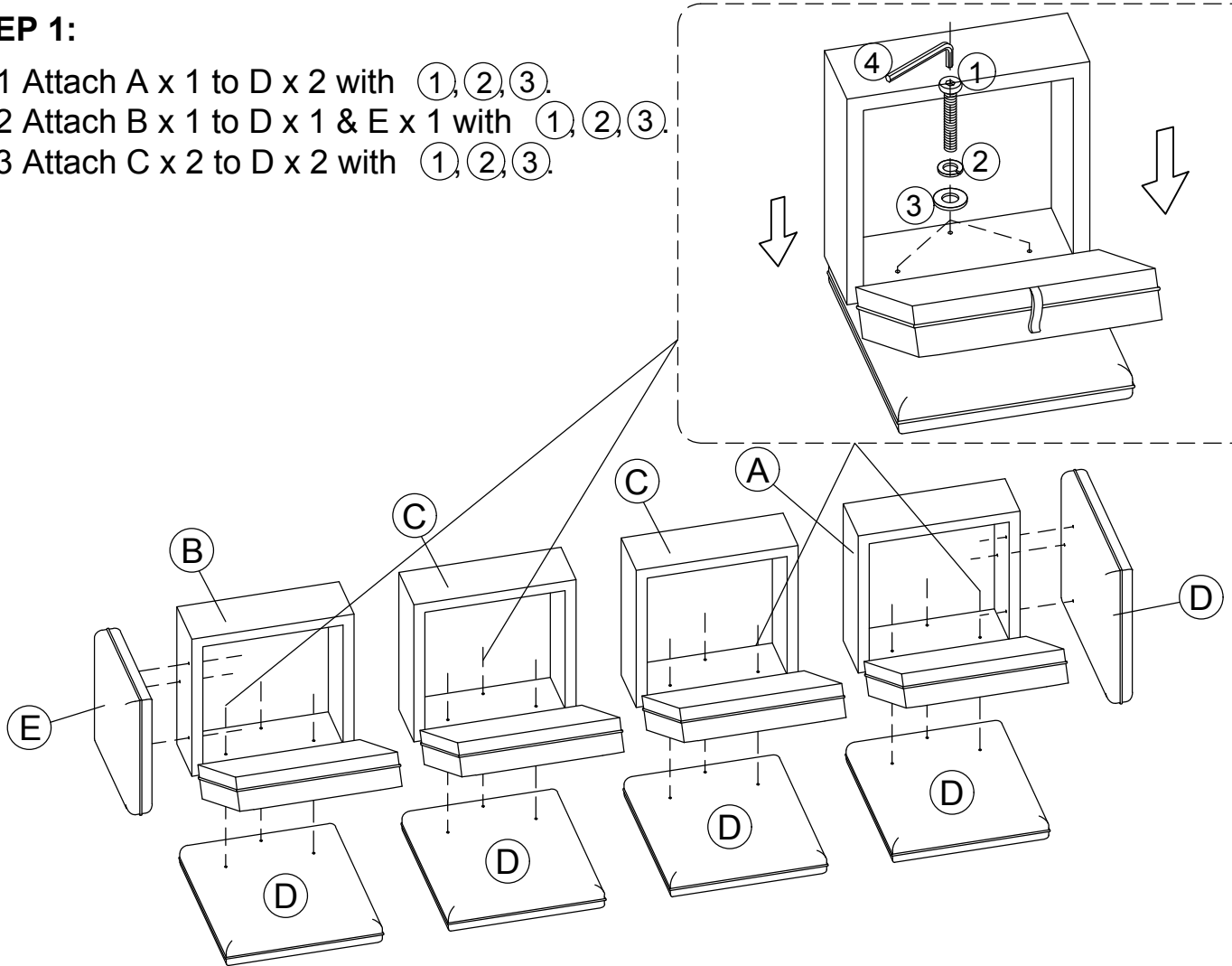
Plastic Washer  
X 16

## STEP 1:

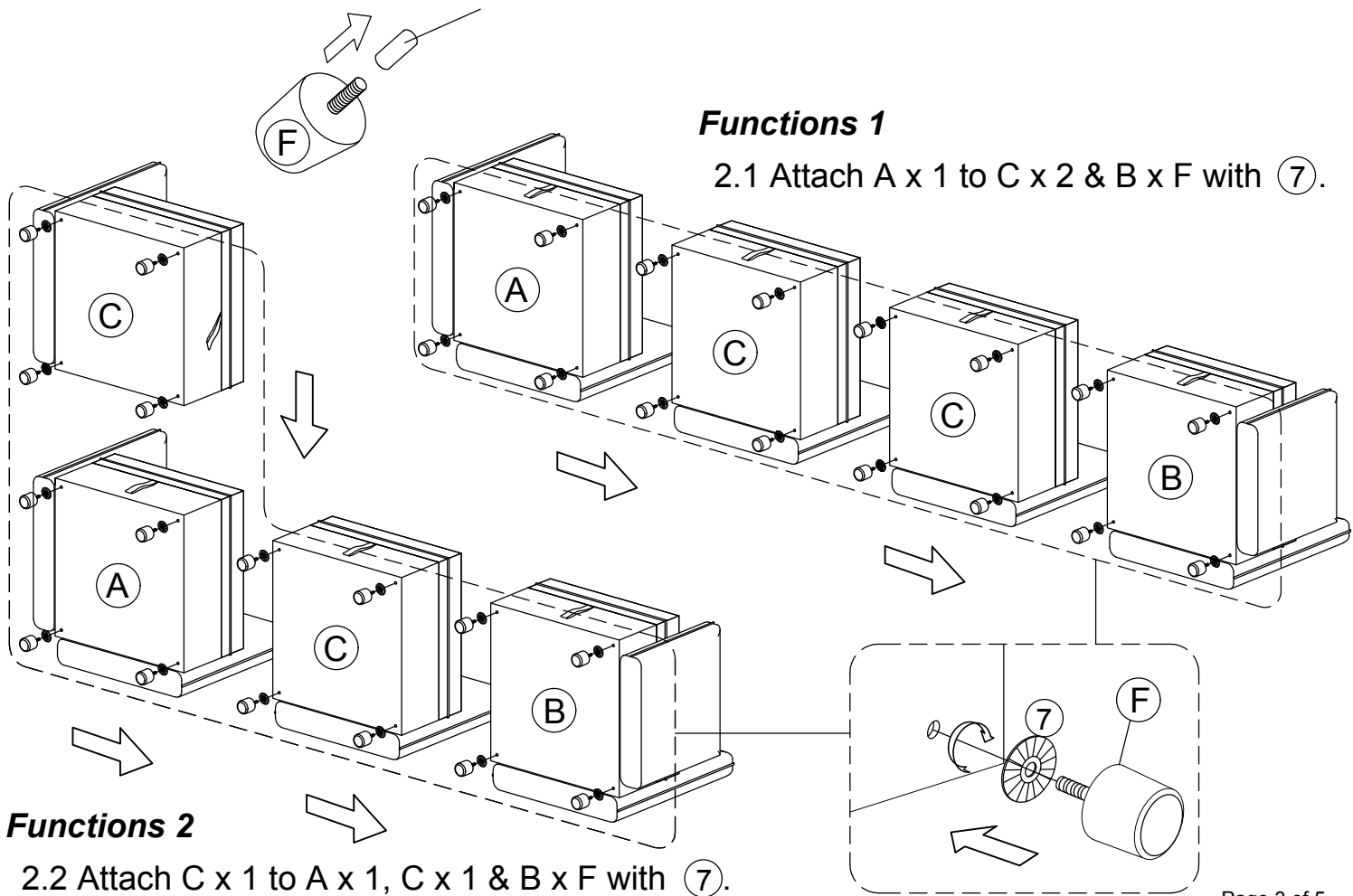
3.1 Attach A x 1 to D x 2 with ①, ②, ③.

3.2 Attach B x 1 to D x 1 & E x 1 with ①, ②, ③.

3.3 Attach C x 2 to D x 2 with ①, ②, ③.

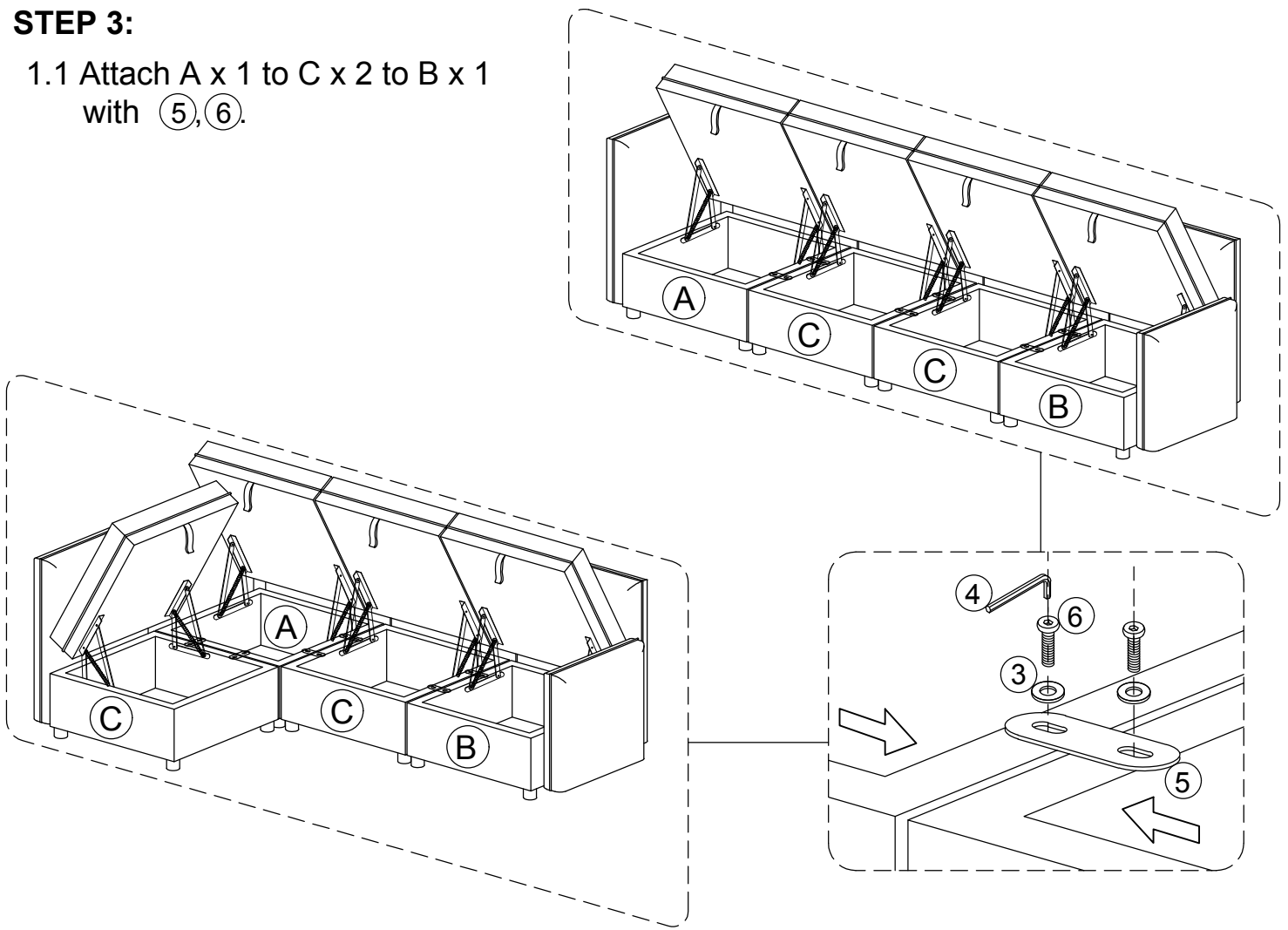


**STEP 2:** Please remove the protective cap on the tip of thread before assembling.



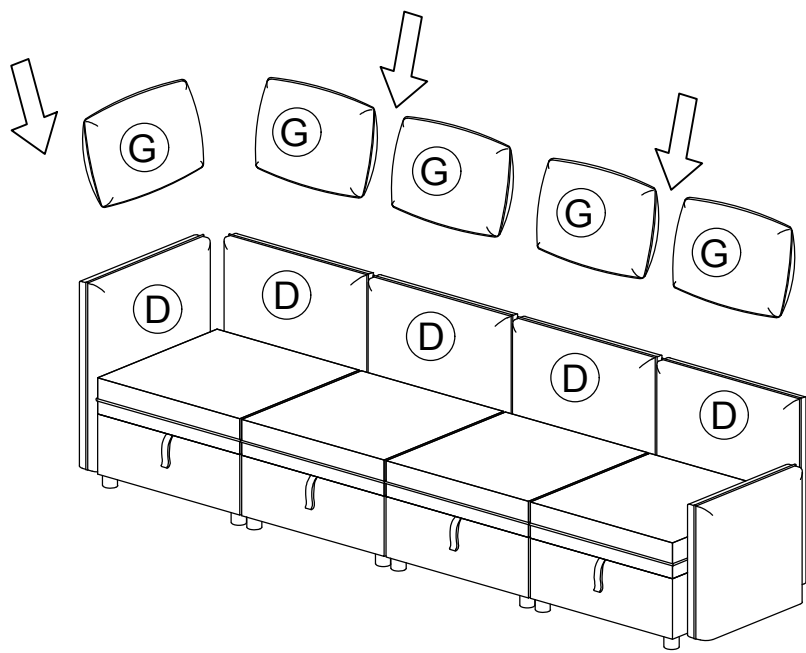
**STEP 3:**

1.1 Attach A x 1 to C x 2 to B x 1  
with ⑤,⑥.

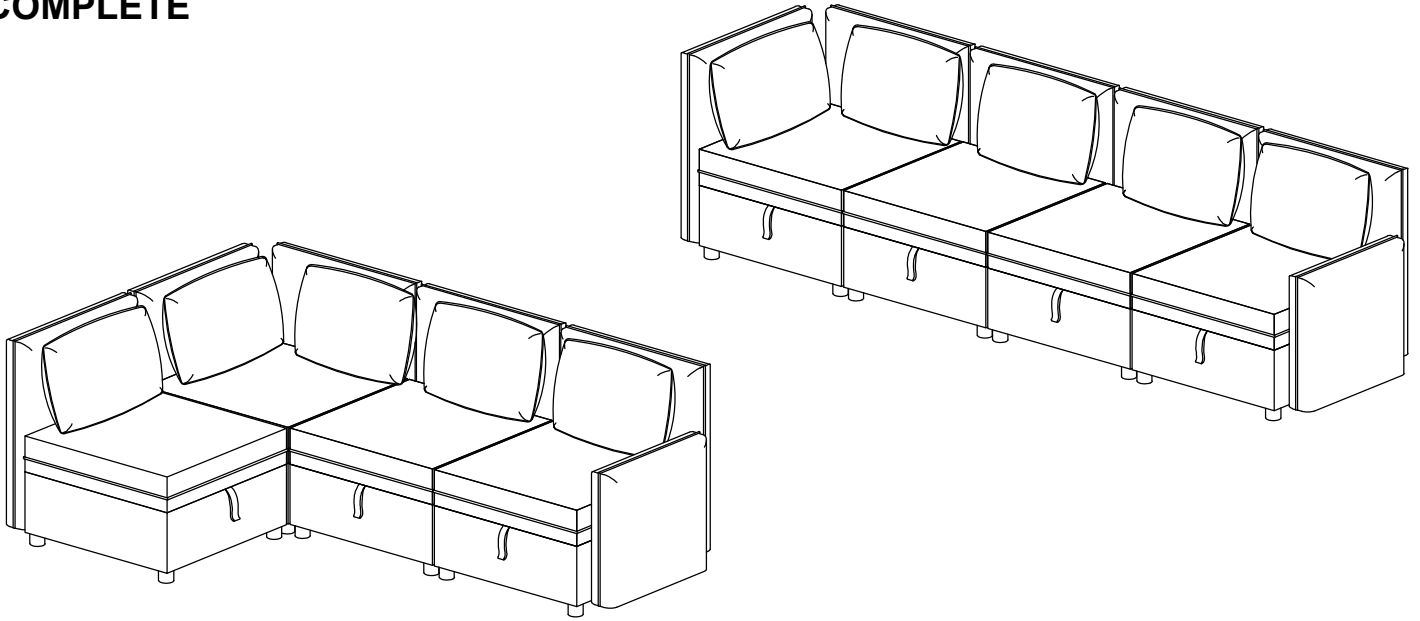


**STEP 4:**

1.1 Attach G x 5 to D.



**COMPLETE**



## Helpful Hints

- Your futon can transform between a Sofa.
- Move your new furniture carefully, with two people lifting and carrying the unit to its new location.
- Your furniture can be disassembled and reassembled to move.
- Clean the product with a soft damp cloth. DO NOT use harsh chemicals or abrasive cleaners.

