

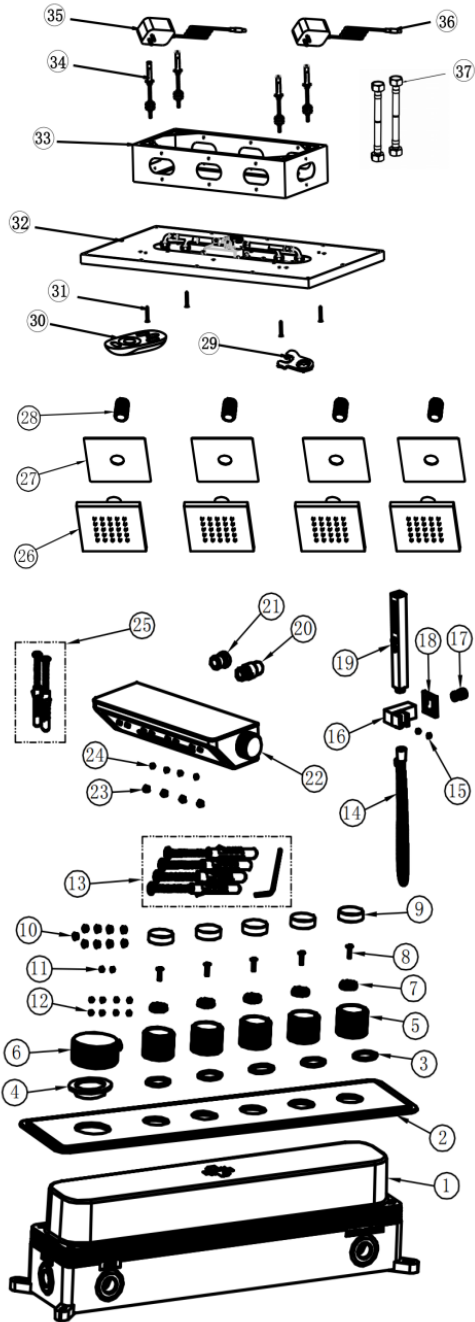
Customer Service  
call our number:888-257-3857  
Or E-mail:[service@casainc.com](mailto:service@casainc.com)

BR1065HHZY



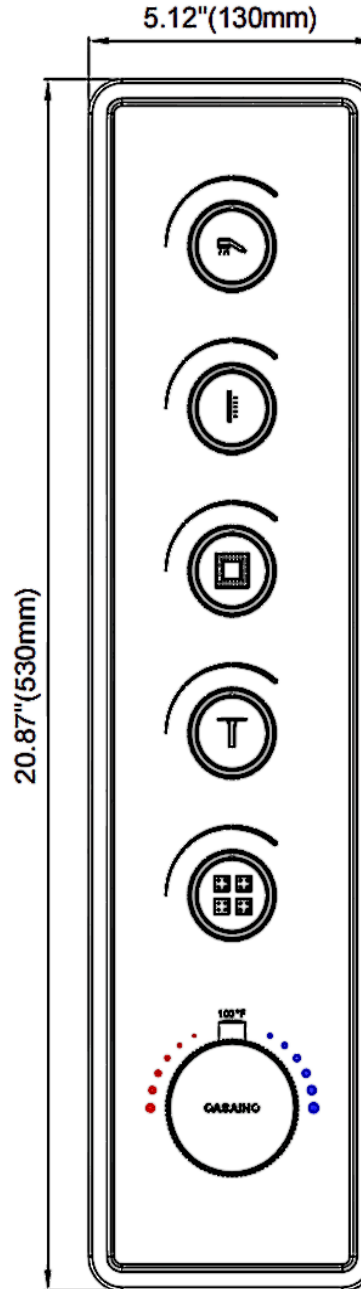
# ◆ Five-function Rain Shower System

## 1. Accessories List

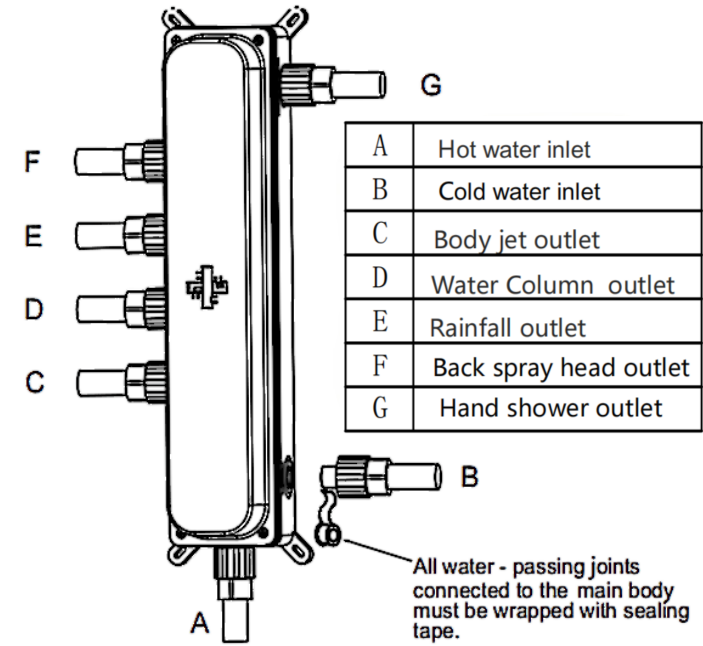


37	Double-headed nut water inlet pipe	2
36	Socket	1
35	Power socket	1
34	Ceiling expansion screw	4
33	Pre -installed frame	1
32	400X750 ceiling shower assembly	1
31	M6 hexagon socket countersunk head screw	4
30	Remote controller	1
29	Granule water Pro bubbler wrench	1
28	Connector	4
27	Trim plate	4
26	4" Shower Head	4
25	Anchor kit	1
24	M5X5 screw	4
23	Screw hole plug	4
22	Back spray connector	1
21	Mounting adapter	1
20	Water inlet joint(back spray)	1
19	Hand shower	1
18	Trim plate	1
17	Hand shower arm connector	1
16	Hand shower arm	1
15	M5X5 screw	2
14	Shower hose	1
13	Anchor kit	1
12	M5X5 screw	8
11	M5X6 screw	2
10	Screw hole plug	9
9	Push button cap	5
8	Screw	5
7	Push button connector	5
6	Temperature knob	1
5	Water diversion flow handwheel	5
4	wear washer	1
3	wear washer	5
2	Square two-stage panel	1
1	Concealed main body	1
HO.	Part name	QTY

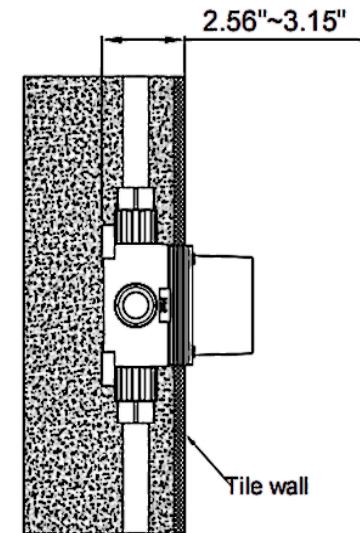
2. Installation diagram of the five - function main body panel.



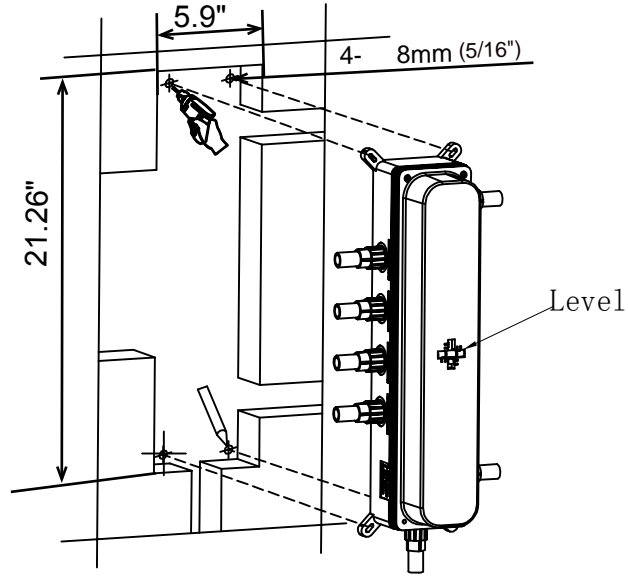
3. Installation method for water inlet and outlet of the five - function main body



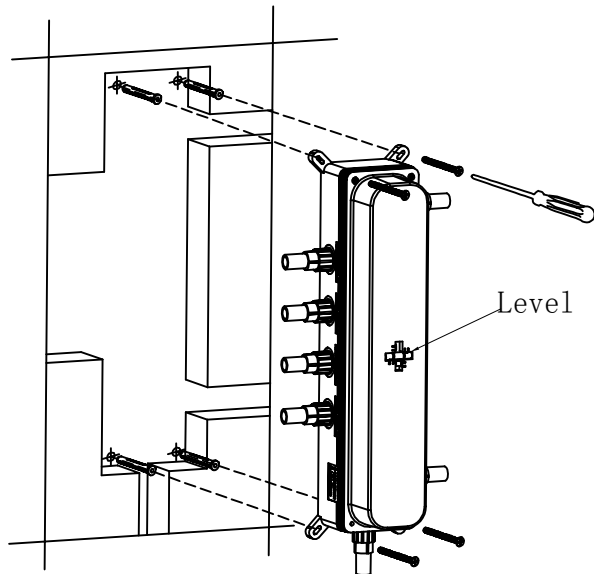
4. The pre - embedding depth of the main body: MIN 2.56" (65mm), MAX 3.15" (80mm).



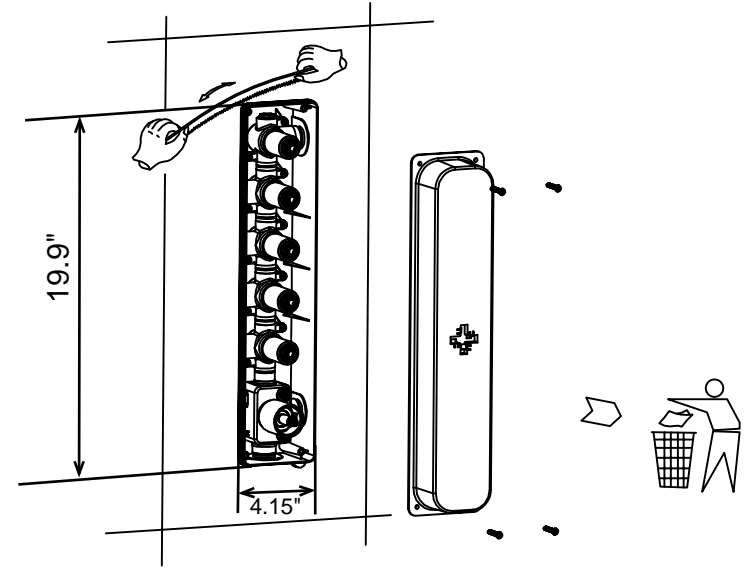
5. Secure the valve body to the mounting surface ensuring the valve body is level. The size of the wall opening is 21.26" x 5.9" ( 540x150mm )



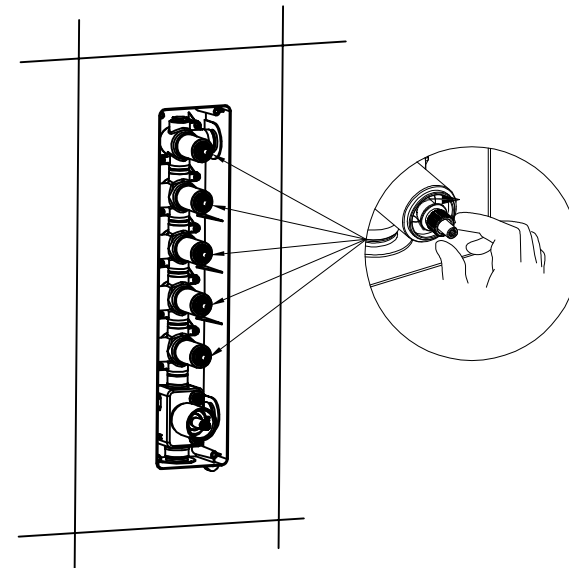
6. Expansion hose plugged into hole; Slightly fix the main body to the wall with self-tapping screws; Tighten the self-tapping screws after aligning the mounting box with a level



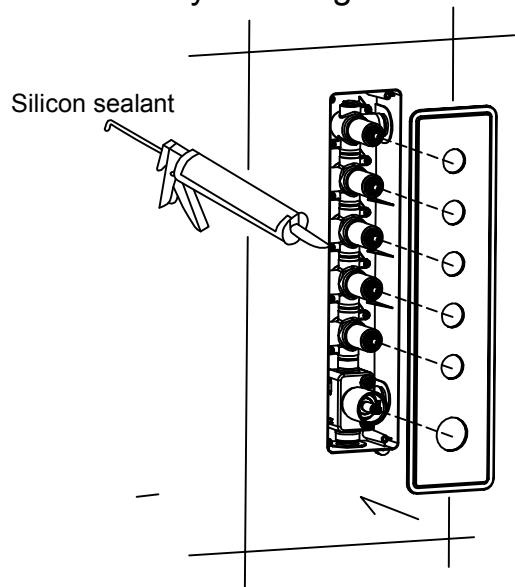
7. After the wall is finished ( The opening size of the tiles is 19.9"x 4.15" ( 505X105MM ) ), remove the plasterboard from the valve body and cut the valve body casing flush with the wall if necessary. Discard the plasterboard.



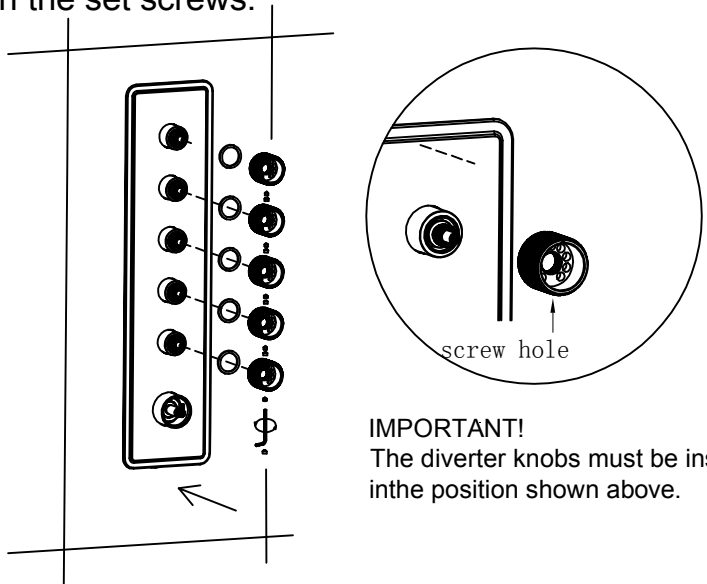
8. Rotate all the valve stems clockwise to their stopping point.



9. On the back side of the valve trim panel, run a bead of silicone around the edge and place it onto the valve body securing it to the finish wall.

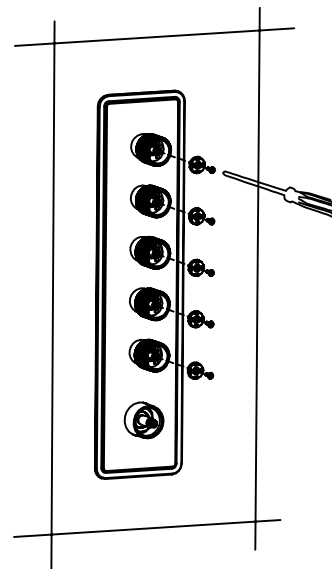


10. Install the valve trim panel and the diverter knobs as shown in the image below. Secure the knobs by using an Allen wrench to tighten the set screws.

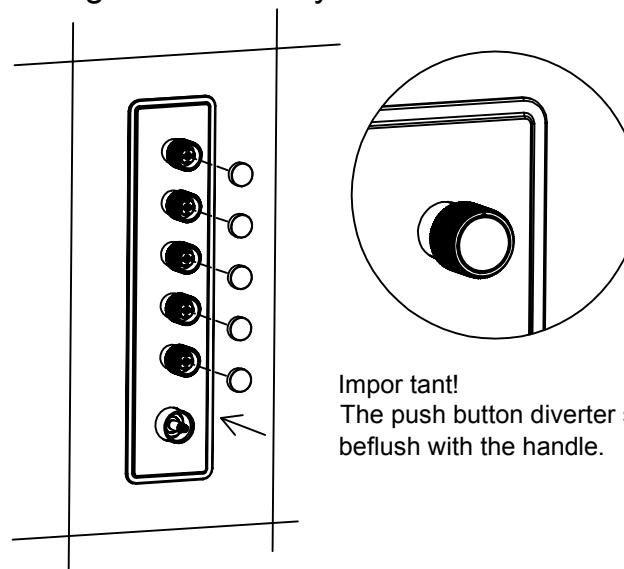


**IMPORTANT!**  
The diverter knobs must be installed in the position shown above.

11. Insert the push button connectors into the knobs and secure

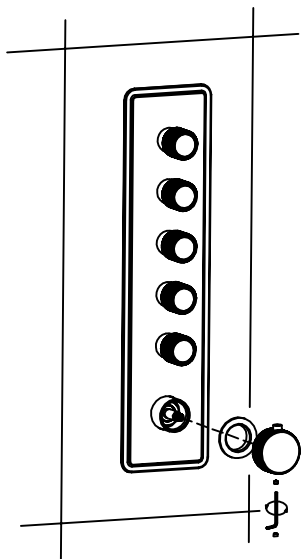


12. Insert the push button caps onto the diverter knob connectors making sure that they are even with the end of the knobs.

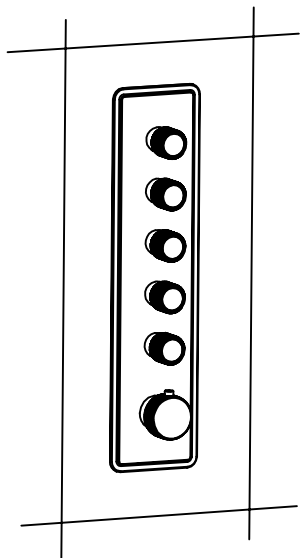


**Important!**  
The push button diverter should be flush with the handle.

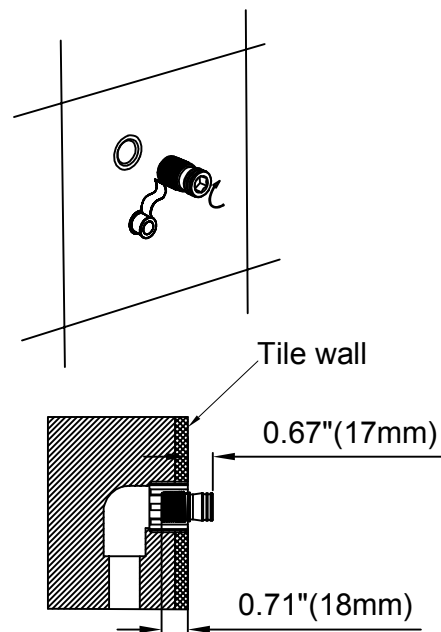
13. Install the temperature control knob exactly how it is shown in the image below. Secure the knob by using an Allen wrench to tighten the set screw.



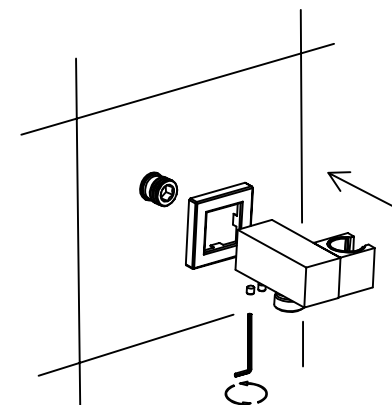
14. Valve trim panel and knob installation finished.



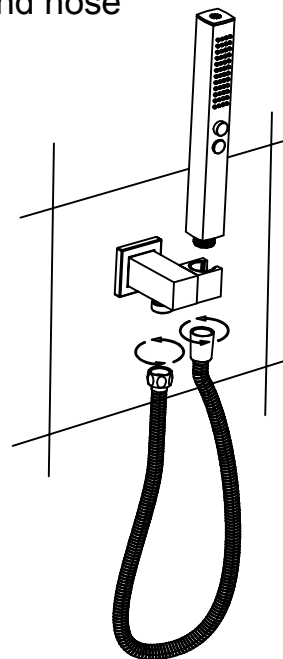
15. Install the wall bracket



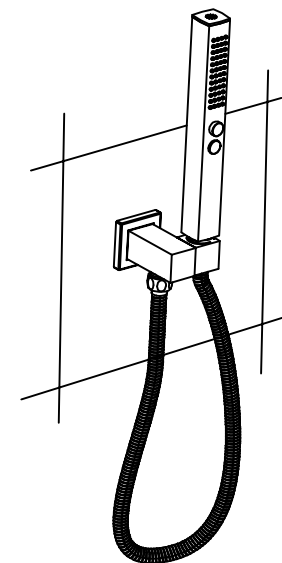
16. Install the decorative cover and holder, then screw it.



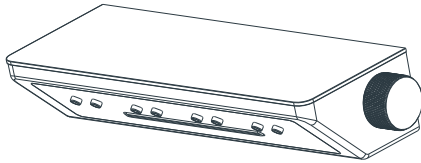
17. Install the hand shower and hose



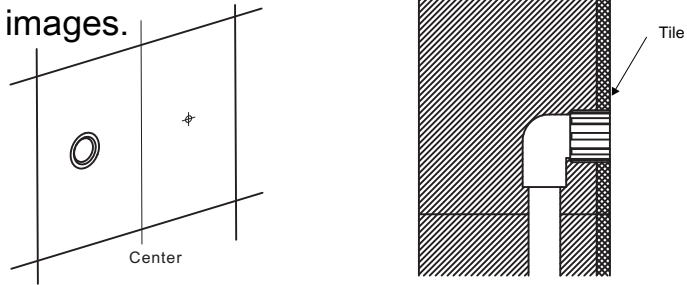
18. Finished.



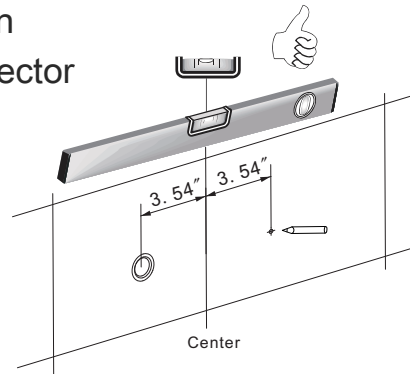
19. Install the back spray head



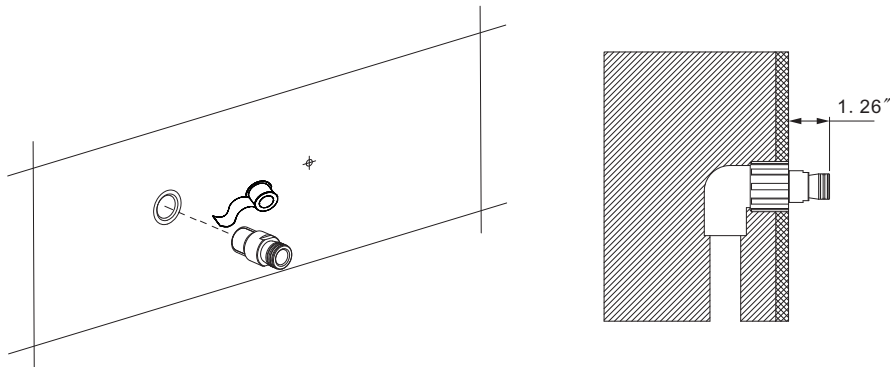
20. When piping the valve body, ensure that the connection for the back spray head piping is installed as shown in the images.



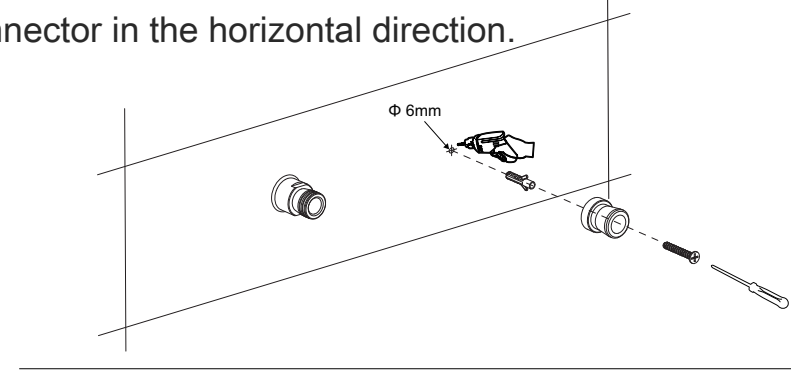
21. The water inlet connector is on the left. Align the water inlet connector horizontally on the same plane, and mark the distance from the right side by  $70/8$ " (180mm).



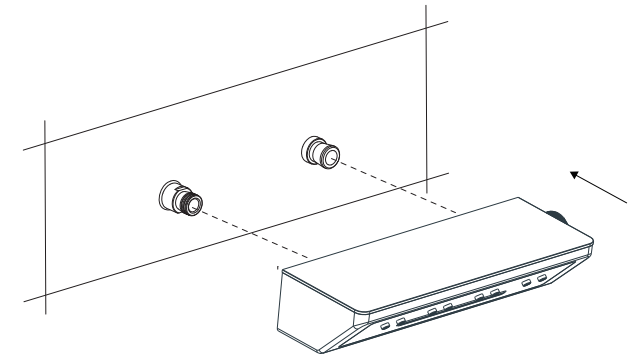
22. Wrap the threads of the back spray head outlet connector and screw it into the wall connection as shown in the images.



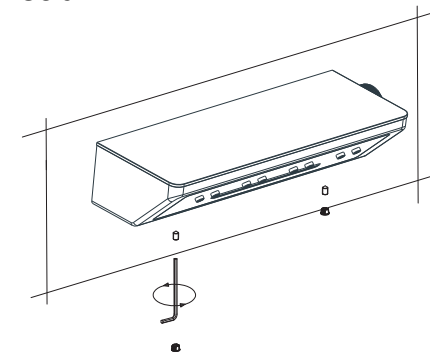
23. Install the right fixing bracket as per step 20, and ensure it is on the same plane as the water inlet connector in the horizontal direction.



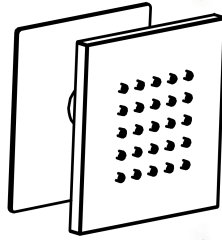
24. Install the back spray head onto the outlet connector and mounting adapters.



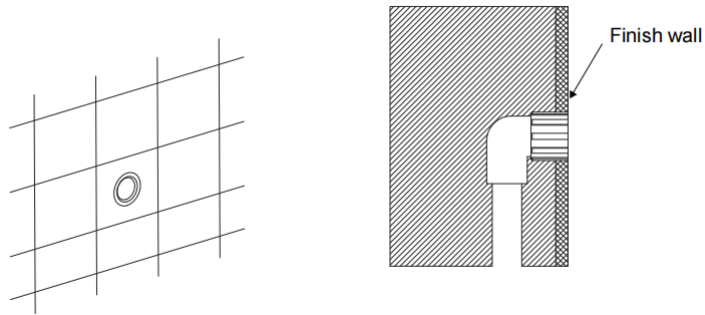
25. Tighten the two M5 screws to secure the back spray head.



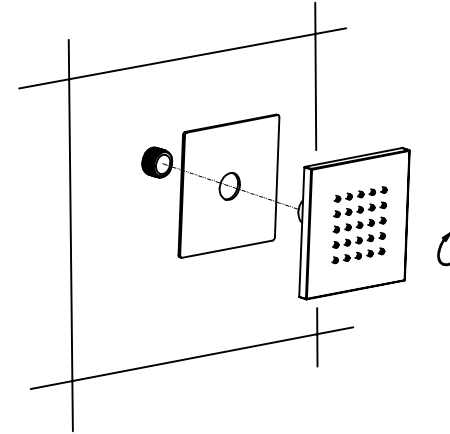
26. Install four shower heads.



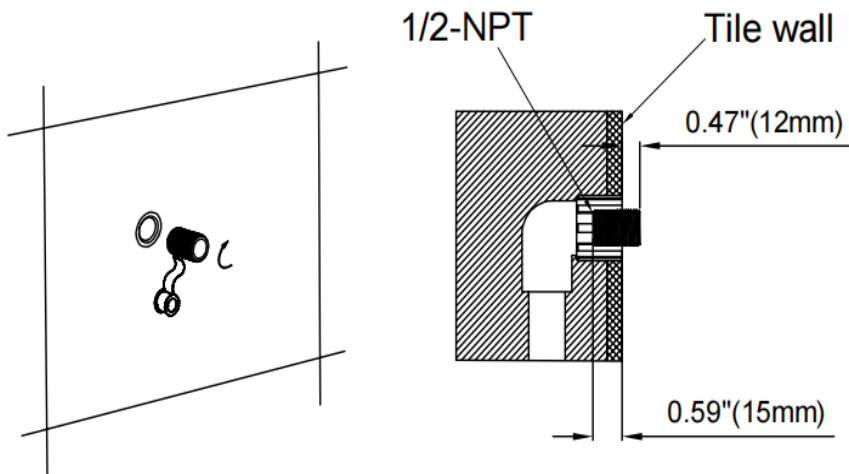
27. When piping the valve body, ensure that the connection for the back spray head piping is installed as shown in the images.



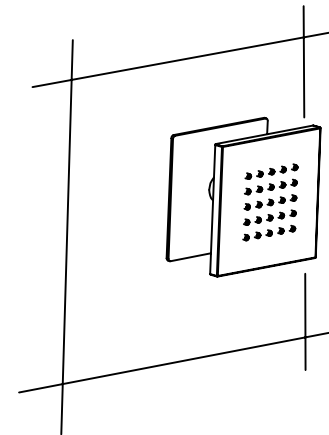
29. Insert the decorative panel and the side spray body into the water inlet pipe on the wall.



28. Install the 1/2-NPT connector as the photos shown



30. Complete the installation of 4 side nozzles



## Important Installation Considerations

1. NOTE: Some showers may not provide an active shower when used with gravity fed heated water systems or where pressures are less than 150kPa at the outlet. Additionally showers with flow rates of less than 9L/min may not allow the following to function correctly:

\_some instantaneous water heaters

\_some tempering valves

\_some thermostatic mixing valves

2. Some shower heads only operate correctly when hot and cold water supplies are both mains pressure and may not be suitable for some instantaneous hot water services.

3. When water pressure is in excess of 500kPa a pressure limiting device is required

warrants this product against manufacturing defects and that it is suitable for use under the general operating conditions specified in this instruction sheet. However, regional regulations apply and may affect your warranty.



Here is a Bluetooth connection tutorial for this hardwired portable speaker:

### 1. Preparation

- ◆ Ensure the speaker is connected to a power source (via the power cord) and powered on.
- ◆ Make sure the Bluetooth function of your device (mobile phone, computer, etc.) is available.

### 2. Device-Side Operation (Taking Mobile Phone as an Example)

- ◆ Open the Settings app on your phone, find and enable Bluetooth.
- ◆ In the list of Bluetooth devices, search for the speaker's name (BL12-A5). Tap to pair.

### 3. Computer-Side Operation (Taking Windows as an Example)

- ◆ Click the Start Menu at the bottom left, select Settings, and go to Bluetooth & other devices.
- ◆ Enable Bluetooth, click Add device, and choose Bluetooth.
- ◆ Find the speaker's name ( BL12-A5 ) in the search results, click to connect, and follow the prompts to finish pairing.

### 4. Confirm Successful Connection

- ◆ Once paired, the speaker's indicator light will stop flashing and stay steady (or there will be a voice prompt). Play audio to test; the sound should come through the speaker.
- ◆ If you encounter issues, try restarting the speaker and device's Bluetooth, or ensure they are within 10 meters with no major obstructions.

## Two Shower System Installation Guide

Operating Pressure:

Min: 150kPa/1.5bar

Max: 500kPa/5.0bar\*

Optimum: 150kPa/1.5bar - 500kPa/5bar

Recommended installation of pressure limiting valve if supply exceeds 500kPa

Operating Temperature:

Hot: Max 80°C\*

Cold: Min 5°C

Inlet Connections:

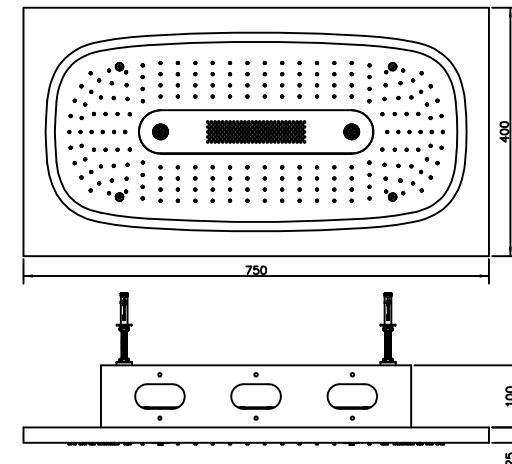
All ½" BSP

NOTE:

\_After installation all connections must be checked for leaks

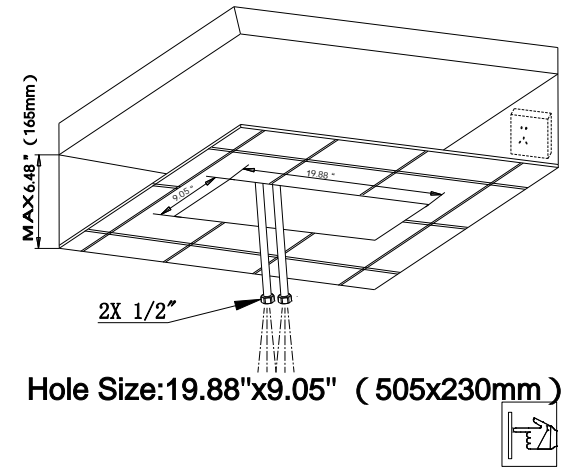
\_All installations must be carried out in compliance with relevant water regulations\*.

## Technical Drawing

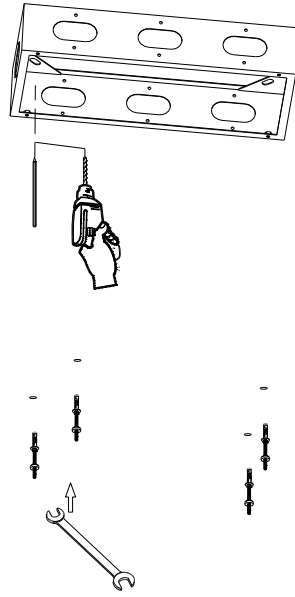


## ◆ Instruction for Installing Shower Head

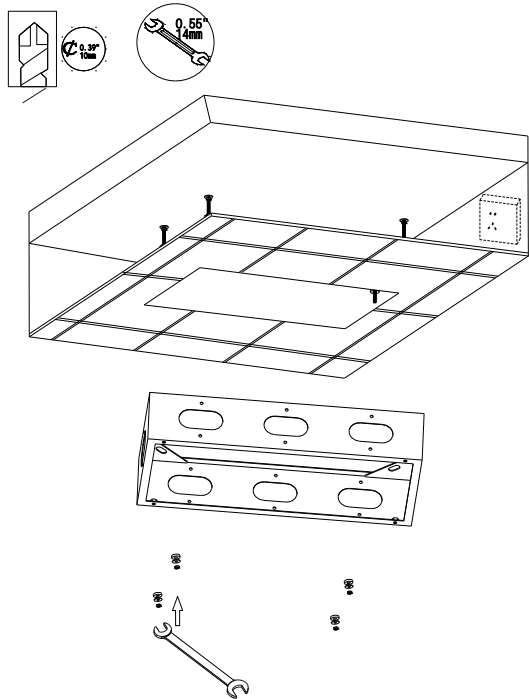
1.



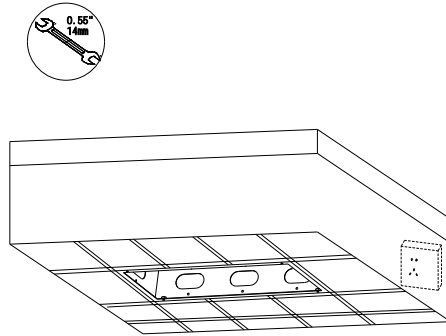
2.



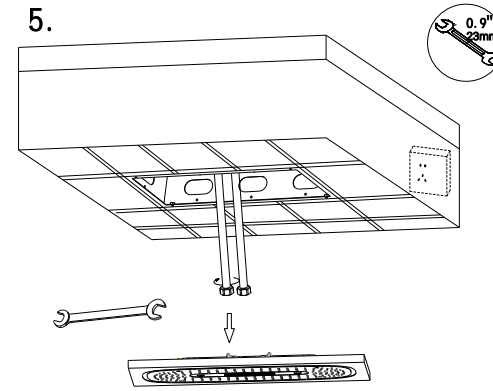
3.



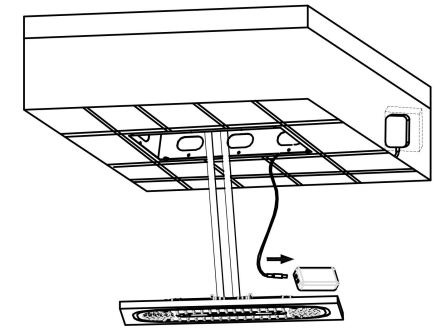
4.



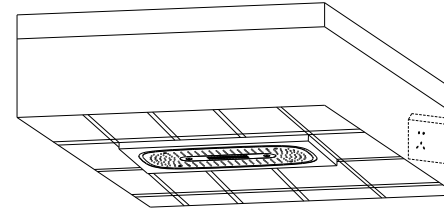
5.



6.



7.



8.

Translate Name: BL12-A5



## Do's

1. In order to keep the mixer surface bright, please clean the mixer regularly.
2. Rinse the faucet with clean water and wipe it with a soft cotton cloth.
3. Use one of the following cleaners to remove dirt from the surface:
  - a. Mild liquid cleaner.
  - b. Colorless glass cleaner and powder cleaner that do not cause abrasion and can be dissolved completely.
  - c. Polish liquid that does not cause abrasion.



## Don'ts

- a. Avoid using cleaning powder, harsh cleaning chemicals, brushes and coarse cloth to prevent scratching and friction.
- b. Do not use acid cleaners to clean the faucet as they may cause surface corrosion of the faucet. If the faucet is exposed to harmful acid substances, please rinse it immediately with water.

# Instruction for Use

V1.0

## ID Learning Method

The remote control and the receiver have been paired before ex-factory. If the remote control is inoperative or when replacing with a new remote control, you can perform ID learning by the following methods:

**Learning ID:** Power off the receiver, wait for 5 seconds and power it on again, then press and hold the #7 button (S+) immediately (within 5 seconds). Now the light flashes slowly for several times, indicating successful learning.

**Deleting ID:** Power off the receiver, wait for 5 seconds and power it on again, then press and hold the #7 button (S+) immediately (within 5 seconds). Now the light flashes quickly for several times, indicating successful deletion.

**Note:** Each receiver can learn 8 remote controls. When it learns the 9th one, the first one will be deleted.

## Troubleshooting:

### 1、 The indicating light will not turn on when operating the remote control

Check sufficient battery power level and correct installation direction of batteries.

### 2、 One or more buttons on the remote control are not sensitive or inoperative.

Check sufficient battery power level, reinstall the batteries, and wait for about 30 seconds.

### 3、 The distance for remote control is very short

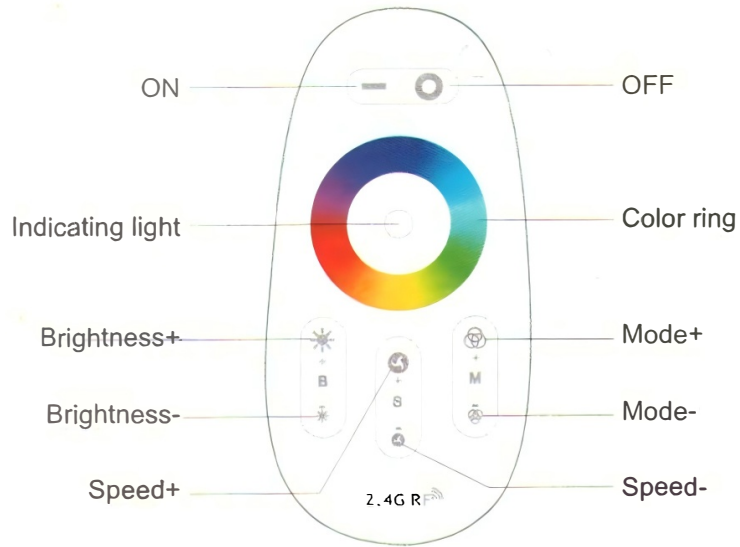
Check sufficient battery power level of the remote control; the receiver shall not be installed in a metal container and it should be installed as far away from the ground as possible.

### 4、 One or more buttons on the remote control are not sensitive or inoperative

Check sufficient battery power level, reinstall the batteries, and wait for about 30 seconds.

### 5、 The LED light connected to the receiver will not turn on

Check normal power supply, correct wiring, proper power supply voltage, and sufficient power supply.



This product adopts wireless RF for communication, through which lights can be remotely controlled over long distance and over obstacles. The remote control uses capacitive sensing touch keys to control the indicating light.

## Remote Control Technical Parameters:

Operating voltage: 3Vdc(battery 2\*AAA)

Standby current: <30UA

Emission current : <10mA

Operating frequency: 2.4~2.48GHZ

Remote control distance: 30m (open space)

Operating temperature: -20℃~55℃

## Receiver Technical Parameters (see the silkscreen on the product shell)

