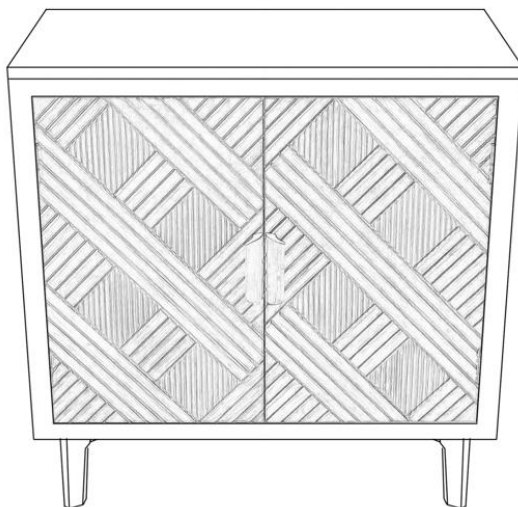


Assembly Instruction

Accent Cabinet









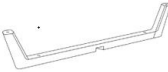
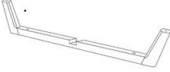






Assembly Instruction

⚠ WARNING:

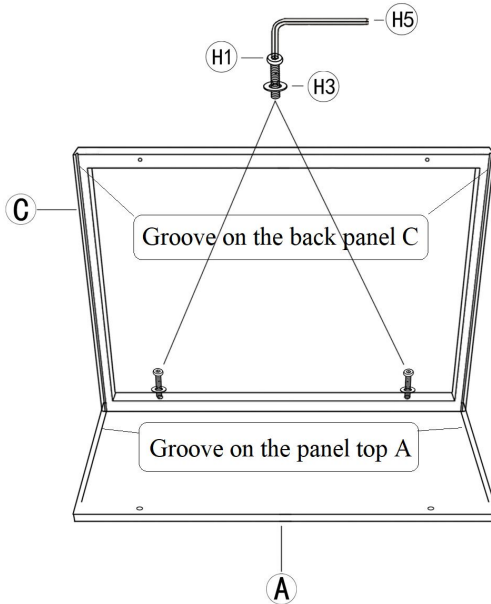
- Read all instructions carefully and completely before assembly and use.
- Retain for future reference.
- **DO NOT use power tools.**
- **DO NOT over-tighten hardware.**
- Periodically check all hardware and re-tighten as necessary.
- DO NOT use product if any component becomes damaged.
- For residential (non-commercial) use only.
- DO NOT sit or stand on product. Use only for intended purpose.
- DO NOT exceed 80lbs for the tabletop and 30lbs for the shelf, evenly distributed.

Parts List

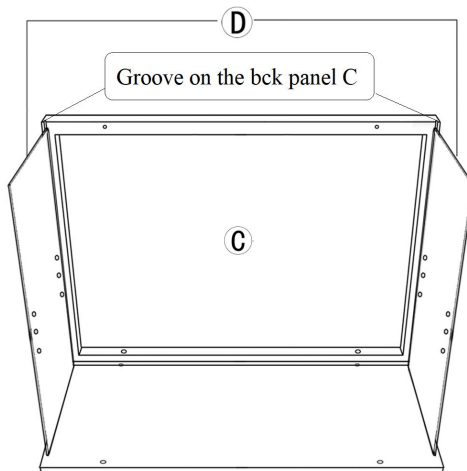
Check all parts before assembly

<p>A. <u>Tabletop</u></p>  <p style="text-align: center;">*1</p>	<p>B. <u>Front panel</u></p>  <p style="text-align: center;">*1</p>	<p>C. <u>Back panel</u></p>  <p style="text-align: center;">*1</p>	<p>D. <u>Side panel</u></p>  <p style="text-align: center;">*2</p>	
<p>E. <u>Bottom panel</u></p>  <p style="text-align: center;">*1</p>	<p>F. <u>Shelf</u></p>  <p style="text-align: center;">*1</p>	<p>G. <u>Leg</u></p>  <p style="text-align: center;">*1</p>	<p>H. <u>Leg</u></p>  <p style="text-align: center;">*1</p>	
<p>H1. <u>Hex bolt</u></p>  <p style="text-align: center;">*8(+1 extra) Short</p>	<p>H2. <u>Hex bolt</u></p>  <p style="text-align: center;">*4(+1 extra) Long</p>	<p>H3. <u>Washer</u></p>  <p style="text-align: center;">*12 (+2 extra)</p>	<p>H4. <u>Foot pad</u></p>  <p style="text-align: center;">*4</p>	<p>H5. <u>Alley key</u></p>  <p style="text-align: center;">*1</p> <hr/> <p>H6. <u>Shelf pin</u></p>  <p style="text-align: center;">*4</p>

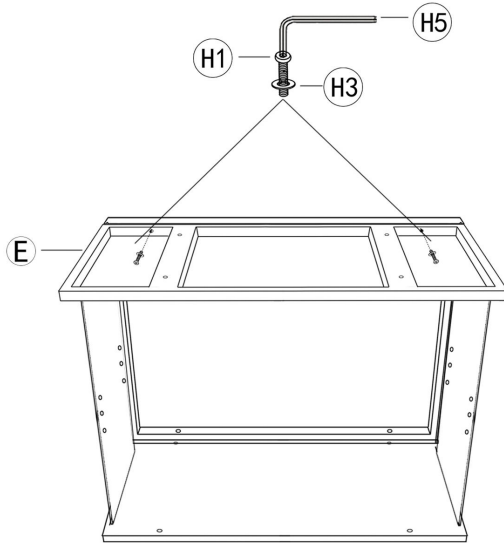
Step 1: Put the Tabletop (A) on a soft surface to protect the finish. Attach Back panel (C) to the Top (A) with Hex bolts (H1) and Washers (H3) using Allen key (H5). Ensure the Back panel (C) aligned with the groove on Top(A). **Leave hardware loose in this step.**



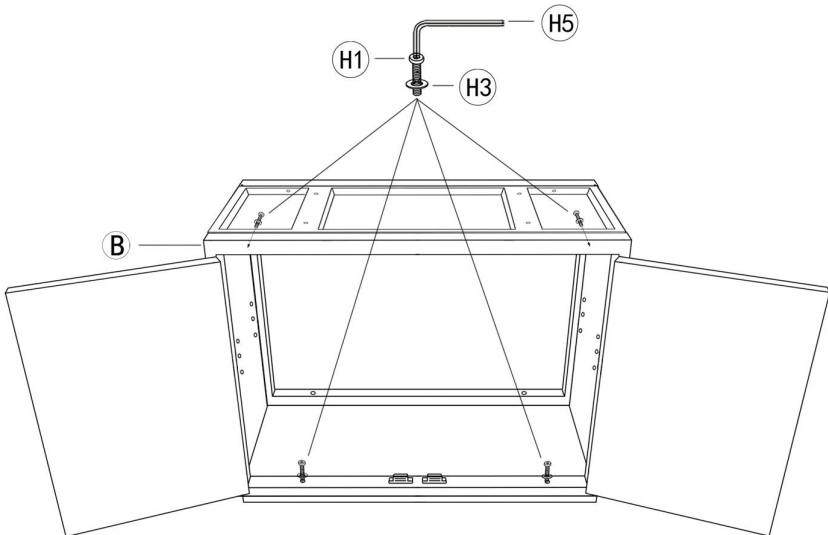
Step 2: Insert the Side panels (D) as shown below. Ensure the side panel (D) aligned with Groove on the Back panel (C).



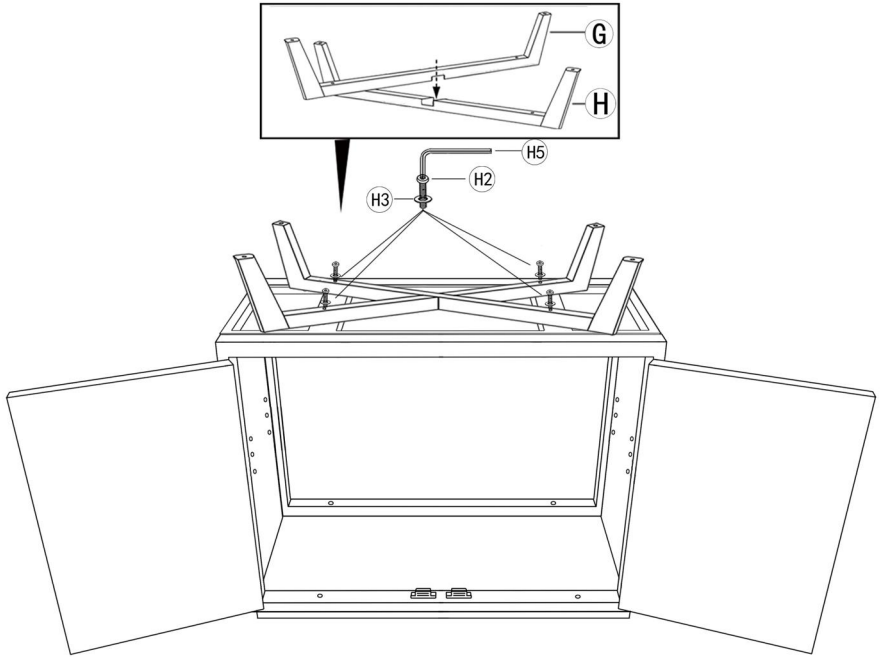
Step 3: Attach the Bottom panel (E) with Hex bolts (H1) and Washers (H3) by Allen key (H5) as shown in picture below. Note doorstop on E faces toward open front. **Leave hardware loose in this step.**



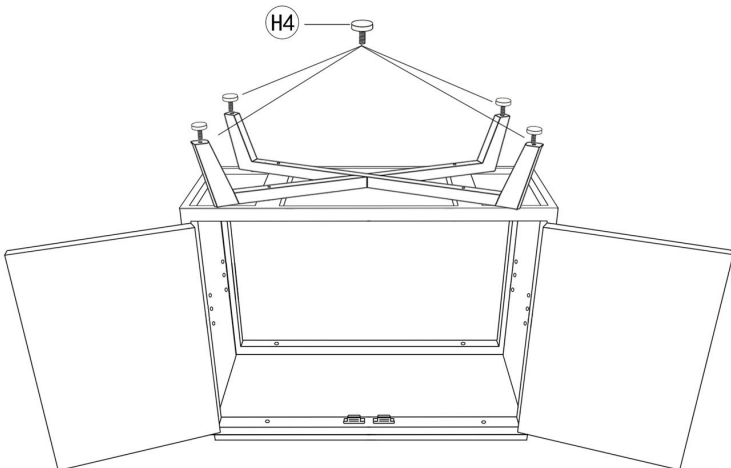
Step 4: Attach the Front panel (B) with Hex bolts (H1) and Washers (H3) by Allen key (H5) as shown below. **Fully tighten all bolts from Step 1 to 4.**



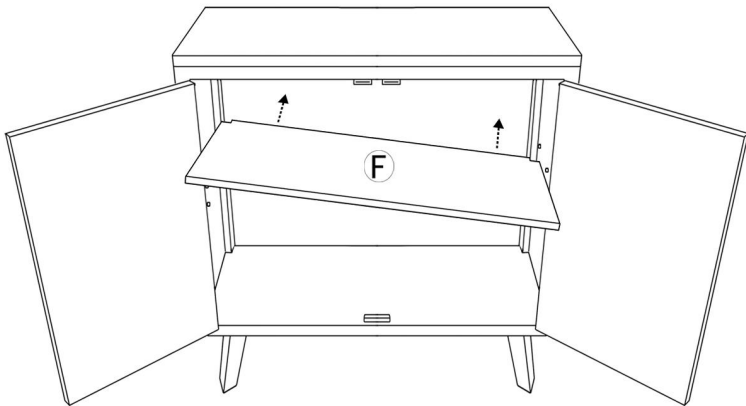
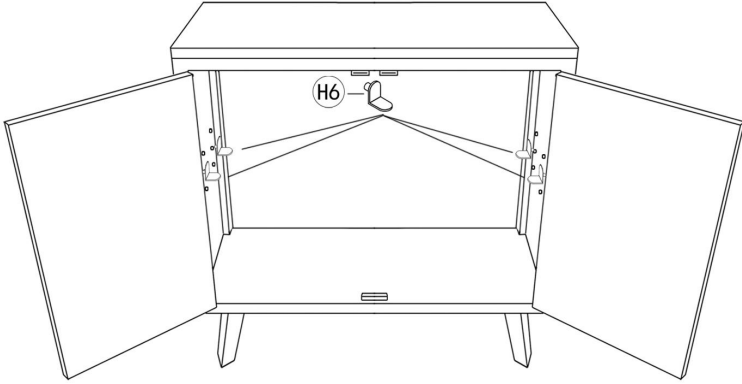
Step 5: Place the Leg (G) with Leg (H) as below photo shown. Attached the Legs (G&H) to the bottom of the cabinet with Hex bolts (H2) and Washers (H3) by Allen key (H5) as shown.



Step 6: Attach the Foot pads (H4) to the bottom of all Legs as shown below.



Step 7: Open the doors, insert the Shelf pin (H6) into the holes. Place the Shelf (F) inside as shown in picture below. (Each side panel with 6 adjustable holes.)



Assembly finished.

Notice:

If you encounter any issues during installation or use, please email us at support@mi-din.com, including your order ID and a detailed description of the problem. If possible, please provide relevant images to expedite assistance. We will strive to resolve any issues promptly.