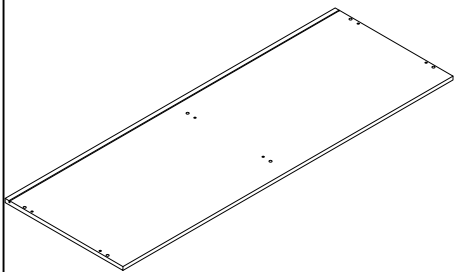


K	3*12	L	6*78	M	672mm	N	
20PCS		10PCS		2PCS		1PCS	
A		B		C	8*40	D	350mm
62PCS		82PCS		6PCS		6PCS	
E		F		G	350mm	H	3.5*35
6PCS		6PCS		6PCS		24PCS	
I		J					
48PCS		20PCS					

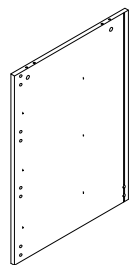
1



1400*500

1PCS

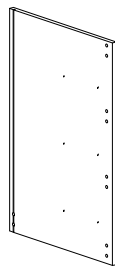
2



695*483

1PCS

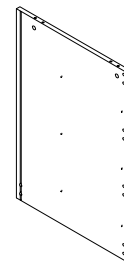
3



695*483

1PCS

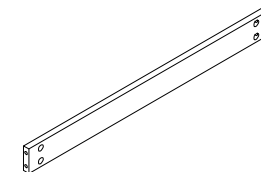
4



695*483

1PCS

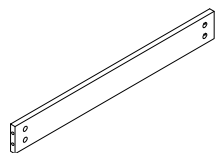
5



676*60

6PCS

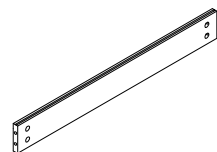
6



676*80

2PCS

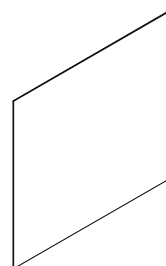
7



676*80

2PCS

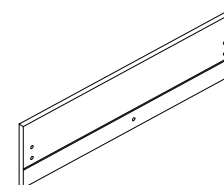
8



685*311

4PCS

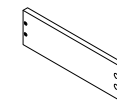
9



695*180

3PCS

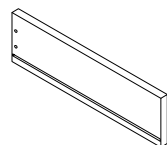
10



350*100

6PCS

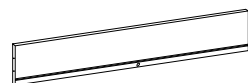
11



350*100

6PCS

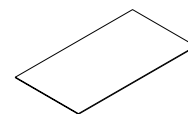
12



621*100

6PCS

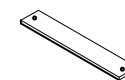
13



630*344

6PCS

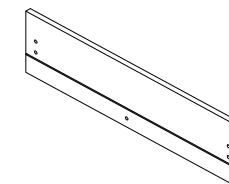
14



334*60

6PCS

15



695*180

3PCS



WARNING!

Children have died from furniture tipover. Fixed wall device have been included with this product;you must install the fixed wall device according to these instructions in order to minimize the risk of furniture.If you have any questions about this product or the Fixed wall device , please contact us immediately.

Never allow children to climb or hang on furniture,including drawers or cabiner doors.

In addition to installing the restrains,to help prevent tip-over.

1. Never put a TV or other heavy objects on top of this product.
2. Do not stand on the product.

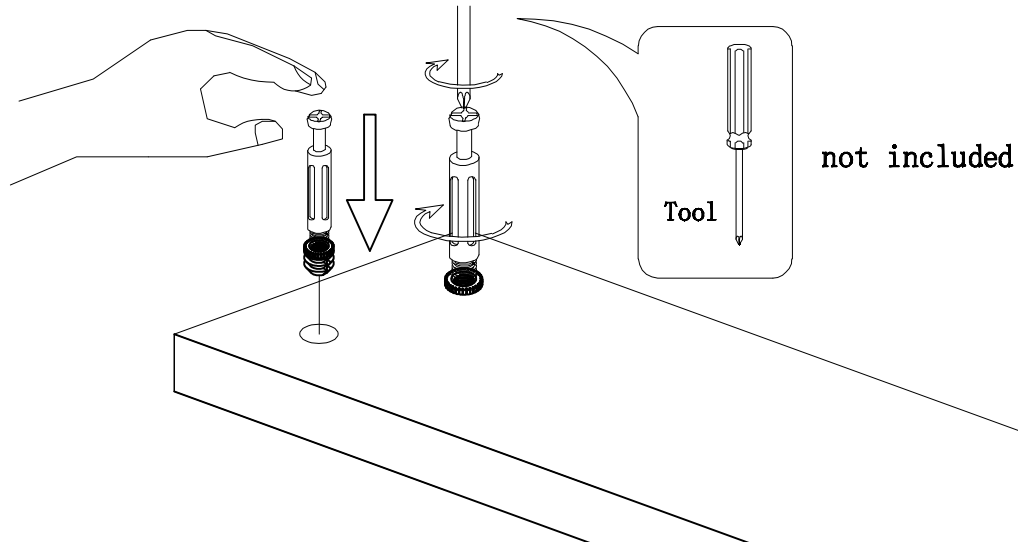
⚠ WARNING	
	<p>Children have died from furniture tipover. To reduce the risk of furniture tipover:</p> <ul style="list-style-type: none">• ALWAYS install tipover restraint provided.• NEVER put a TV on this product.• NEVER allow children to stand, climb or hang on drawers, doors, or shelves.• NEVER open more than one drawer at a time.• Place heaviest items in the lowest drawers.• Do not defeat or remove the drawer interlock system.
	<p><i>This is a permanent label. Do not remove!</i></p>



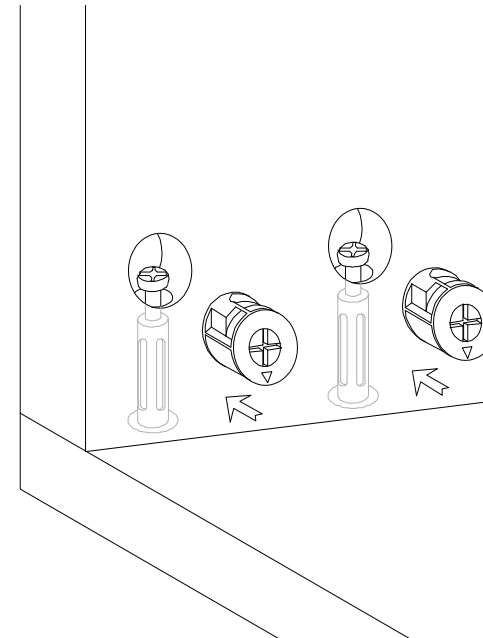
Hardware installation demonstration

NOTE: Please make sure "A" hardware tightened and can't be pulled out!

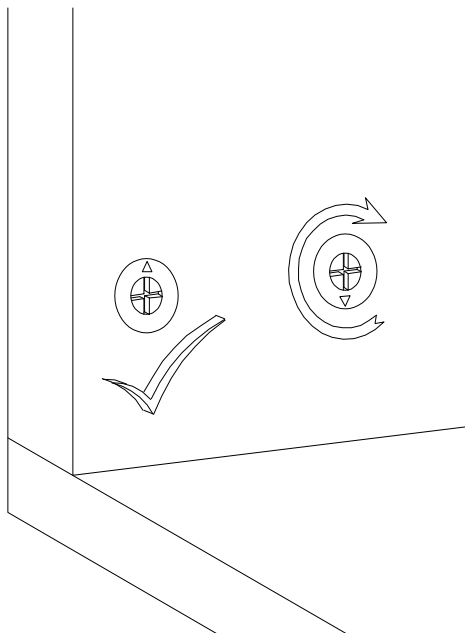
I



II



III

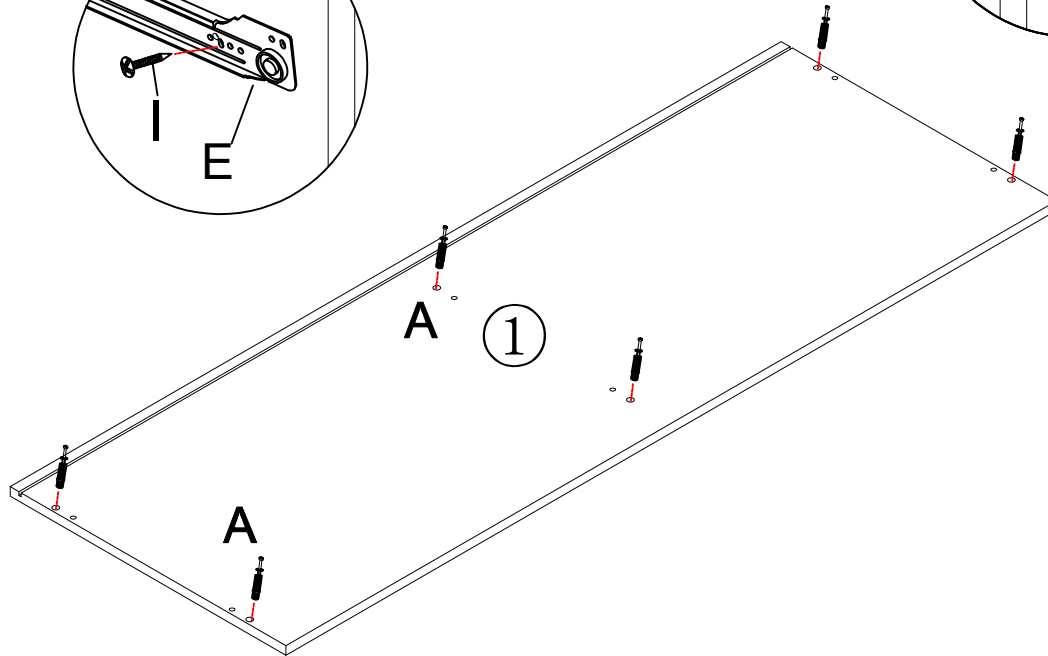
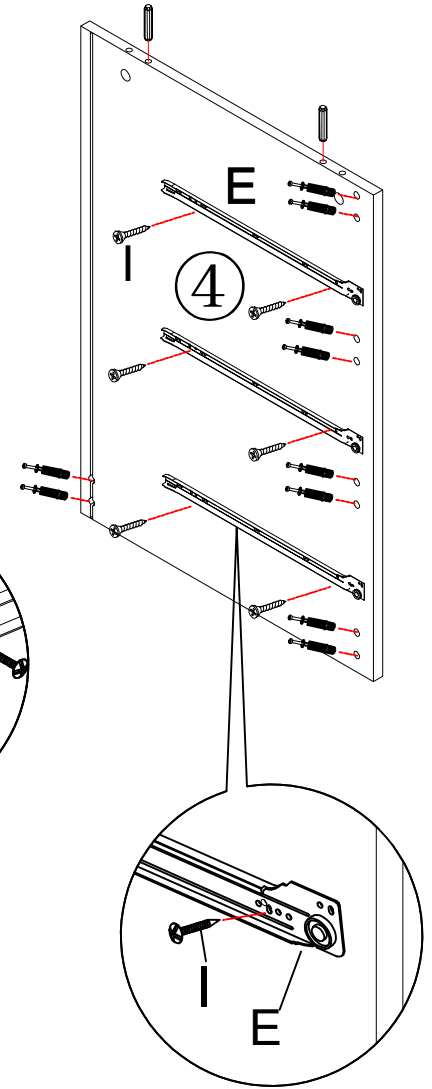
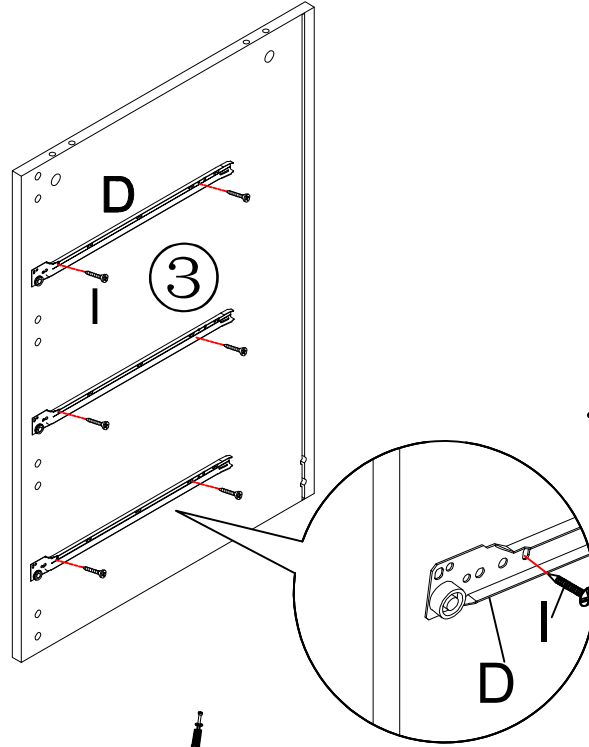
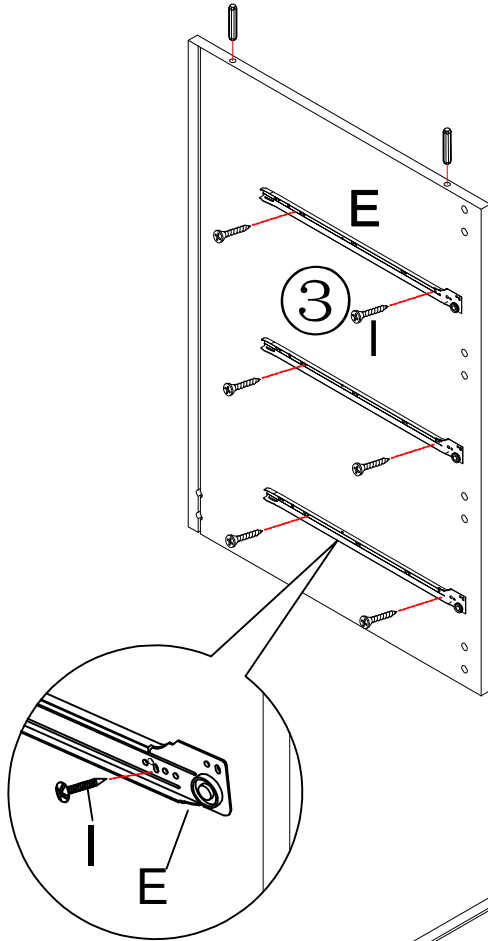
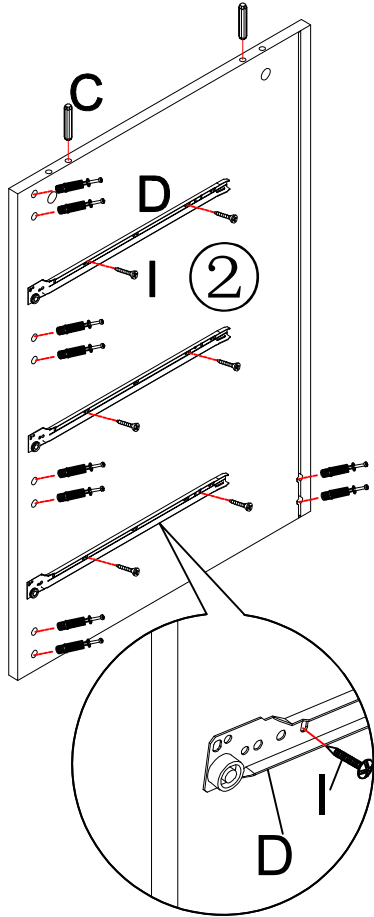


IV



Scan QR code for assembly video

1



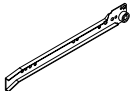
A*26



C*6



D*6

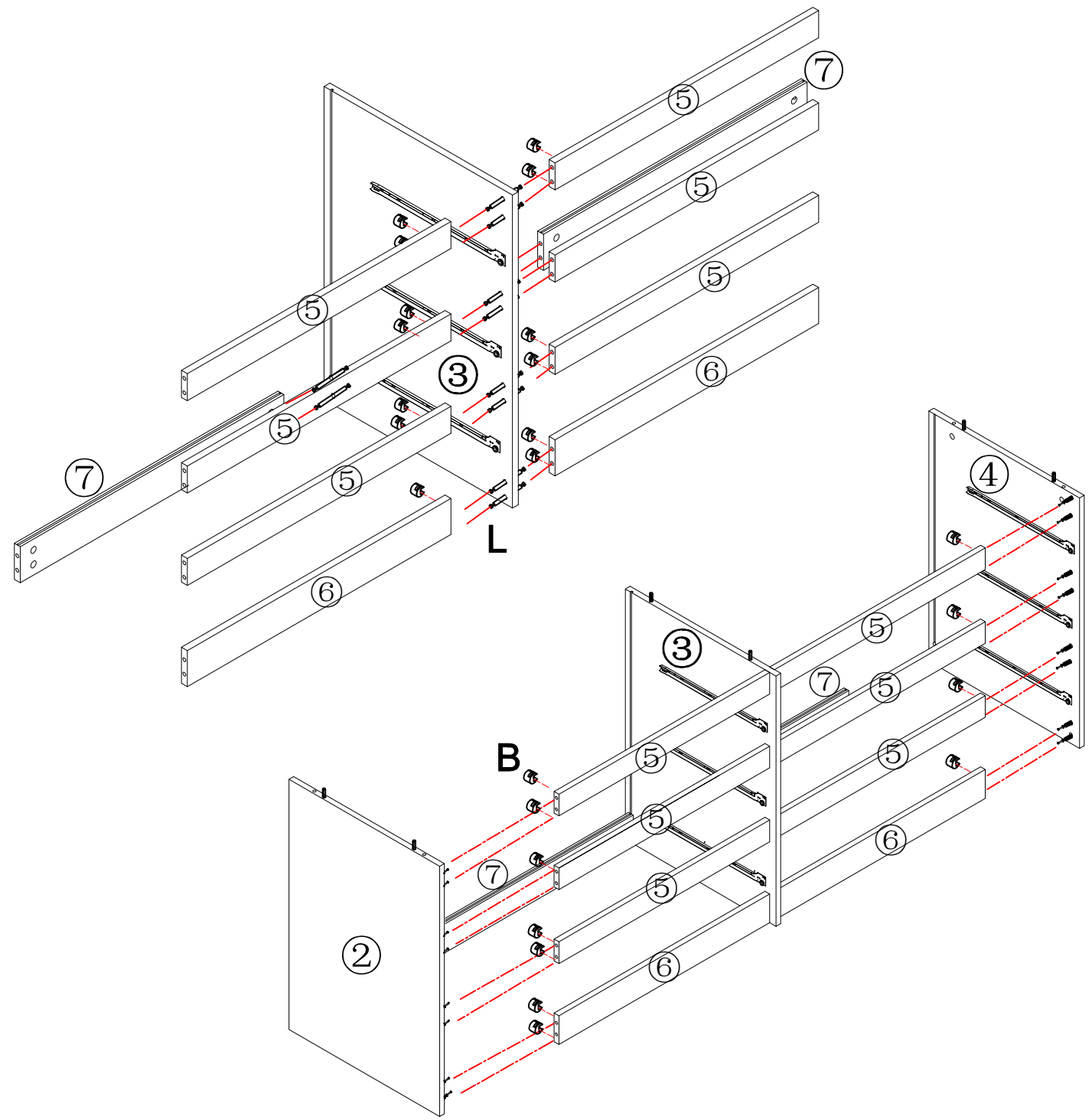



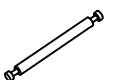
E*6

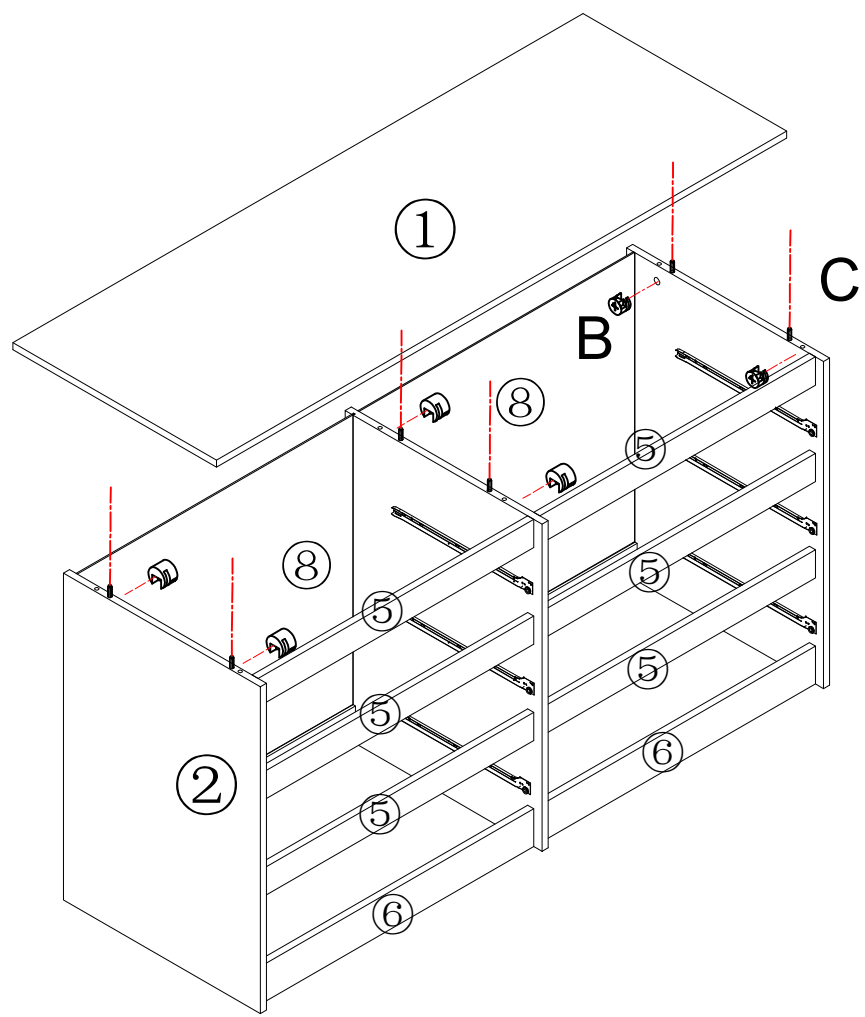
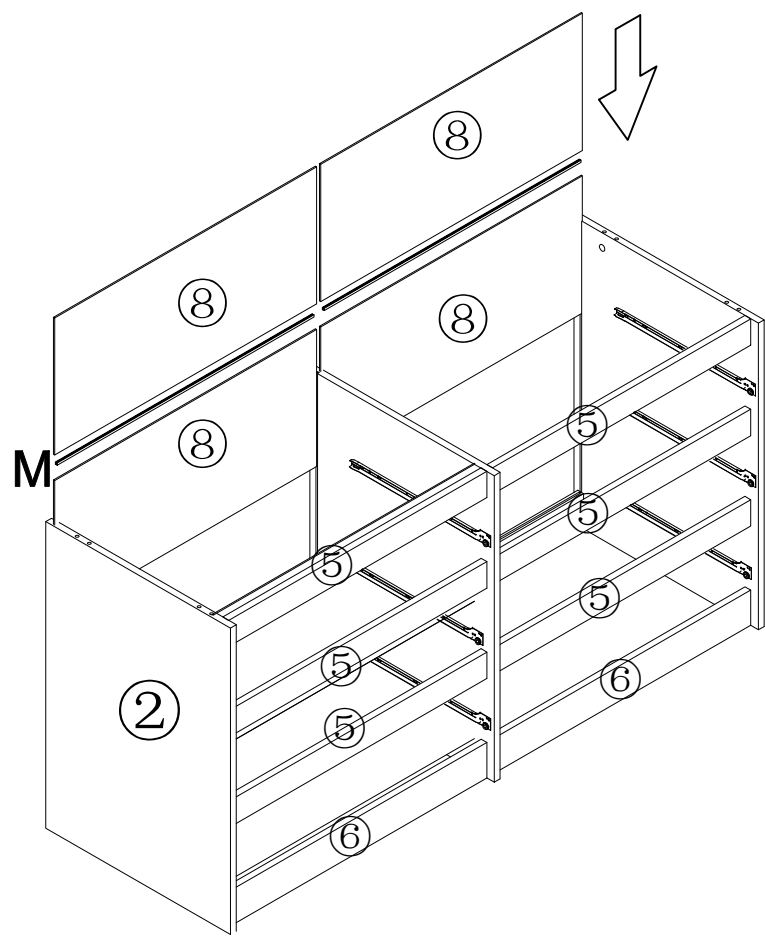




I*24

2

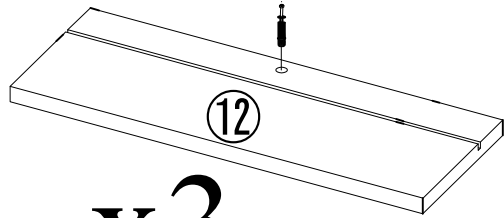


	B*40
	L*10

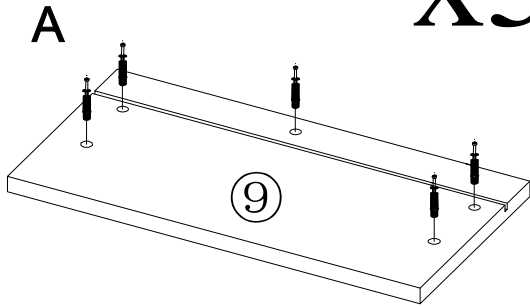


	B*6
	M*2

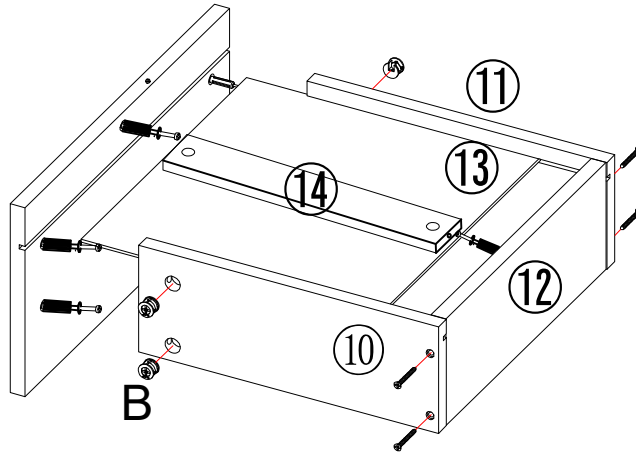
4



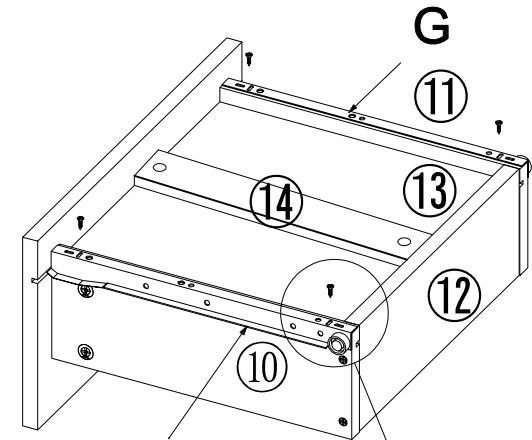
x3



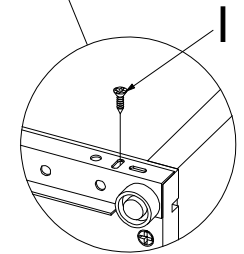
x3



x3



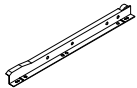
x3



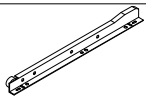
A*18



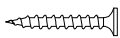
B*18



F*3



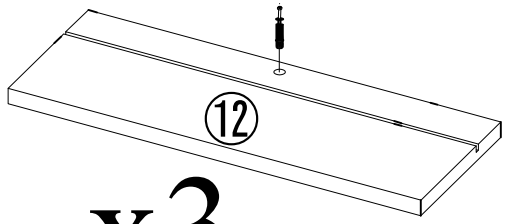
G*3



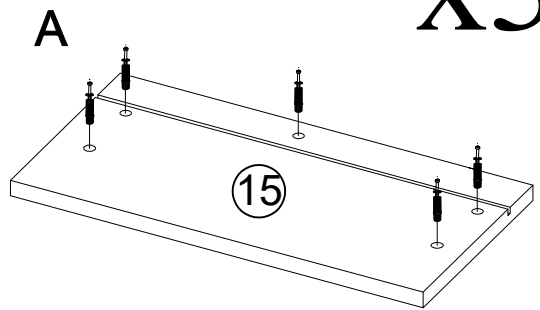
H*12



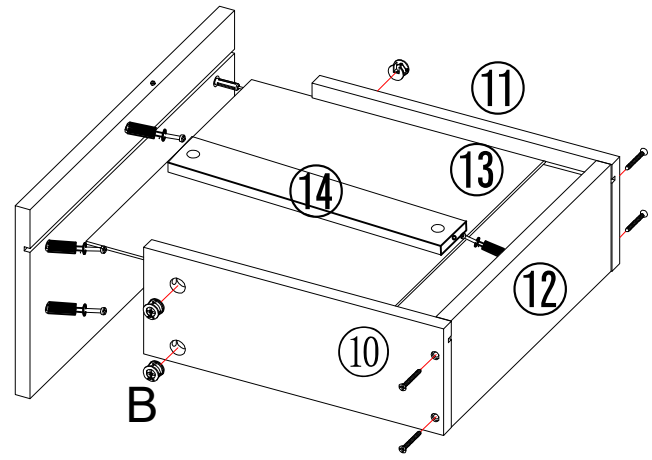
I*12



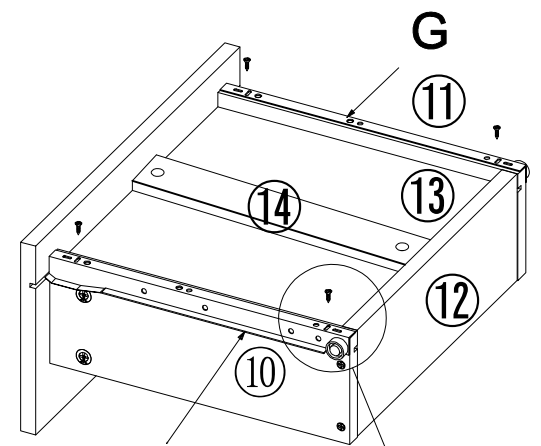
x3



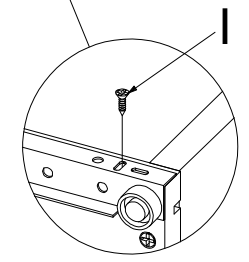
x3



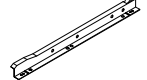
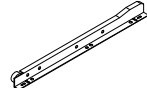
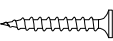



x3

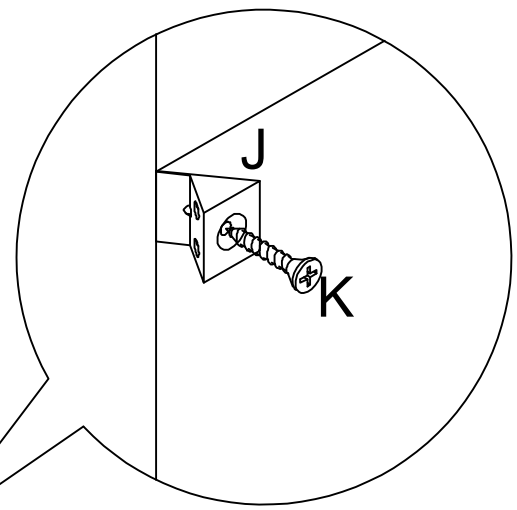
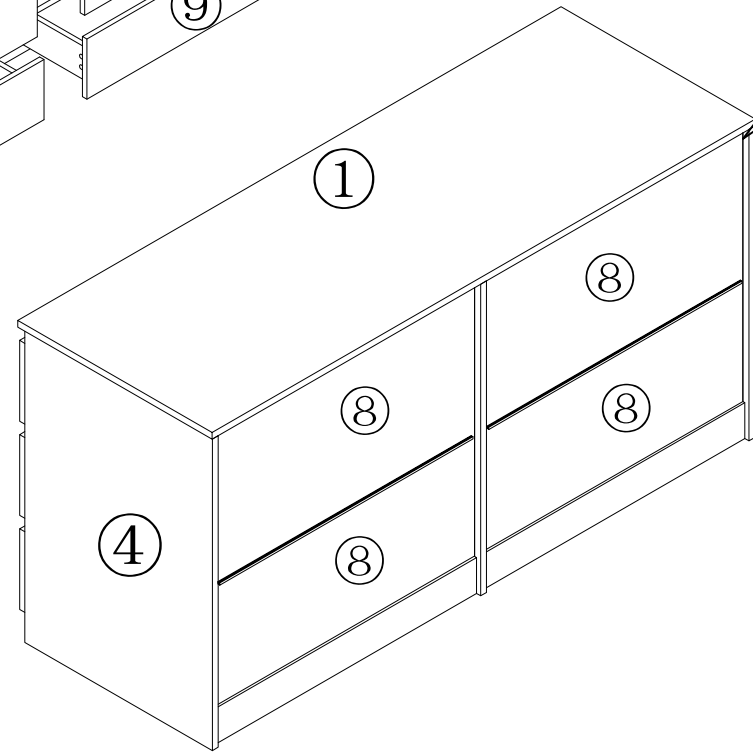
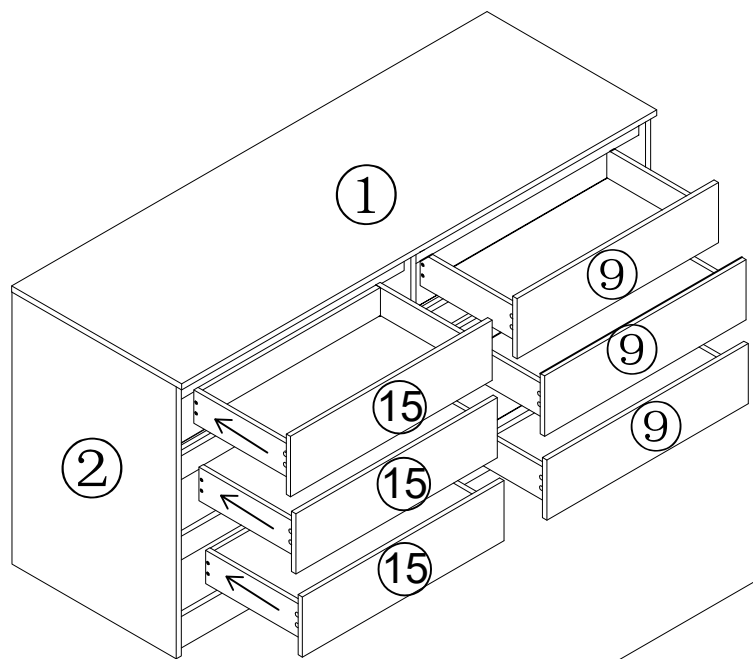


x3



	A*18
	B*18
	F*3
	G*3
	H*12
	I*12

6



J*20

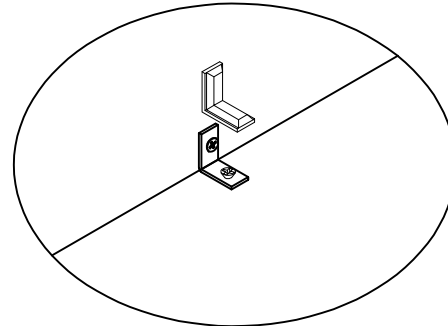
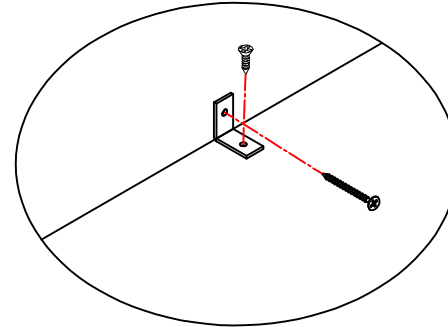
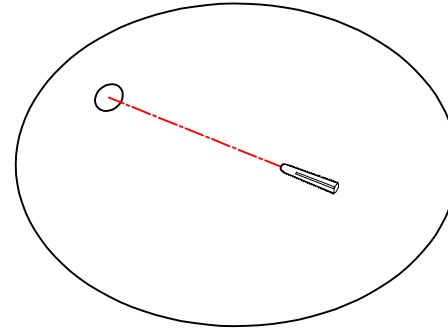
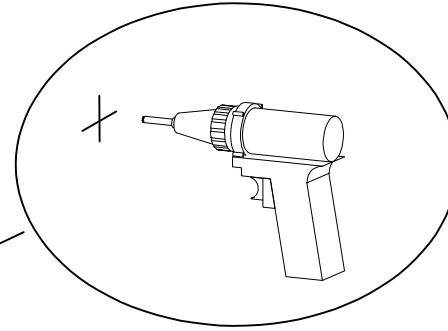
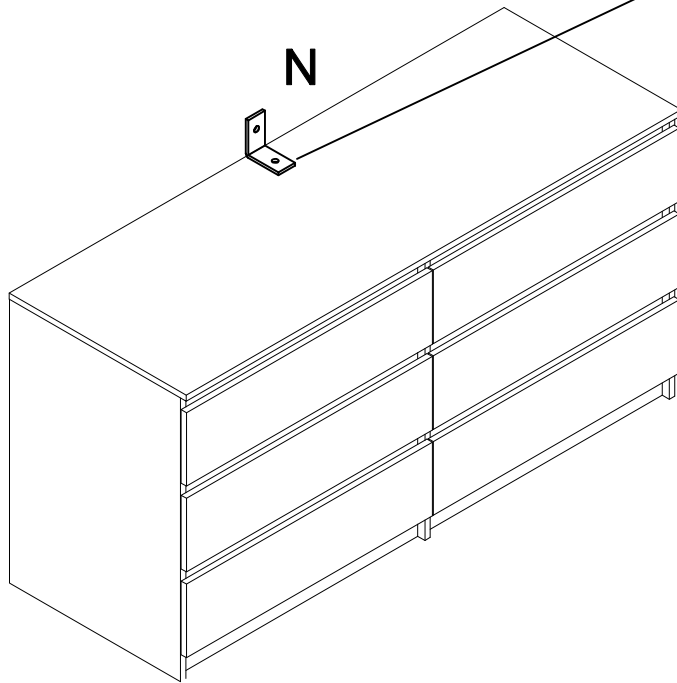


K*20

7



Fixed wall device have been included with this product.
You must install the fixed wall device.



N*1