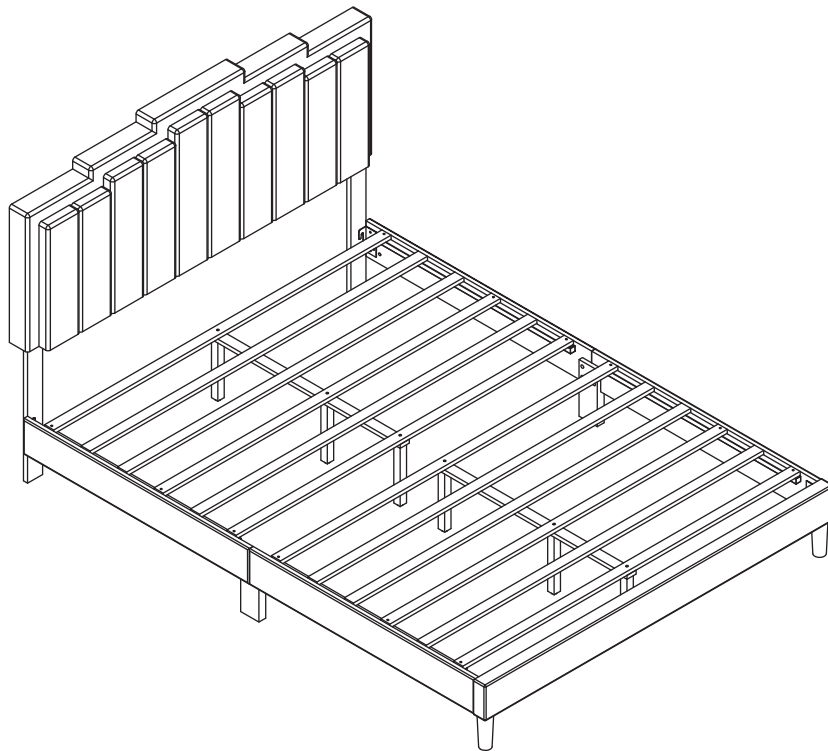


Queen Upholstered Platform Bed with Square LED Headboard



After-sales mailbox:
Homefurnitureserviceteam@outlook.com

NOTICE

Please keep these instructions for future reference.

Dear Customer

● Thank you for your purchase. When you receive the product, please make sure that all the parts are intact. If any parts are missing, please contact us promptly to request replacement parts.

● Then follow the entire installation instructions to install.

● Each part is crucial, so please be careful not to lose any. It is recommended to store parts with different lettered identifiers in separate boxes or bags to avoid confusion during installation.

A . The outer box is damaged

B . The product is damaged / bent / cracked while you open the box

C . The parts / accessories / assembly tools are missing

D . The instructions are not clear and can not be referred

E . The product has functional problems

F . Other aspects that you are not satisfied with

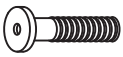
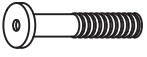
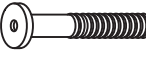





Please feel free to contact us for help, and provide the following information:

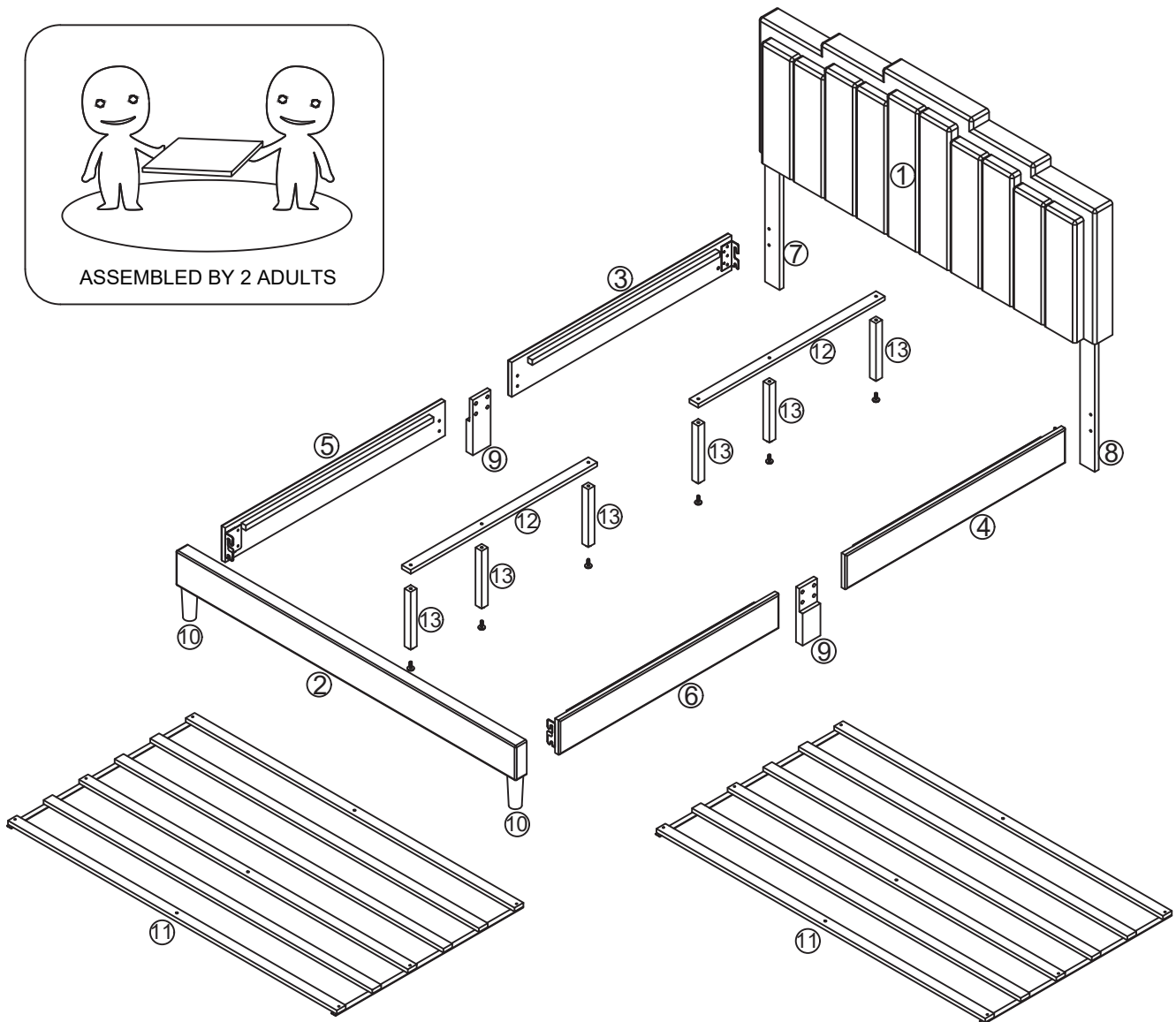
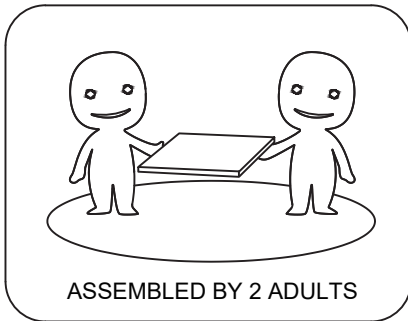
Platform/Shop name/Order ID/buyer's name/ receiver's address/Problem description.

(Homefurnitureserviceteam@outlook.com) will reply within 24 hours and will do our best to resolve the problem for you.



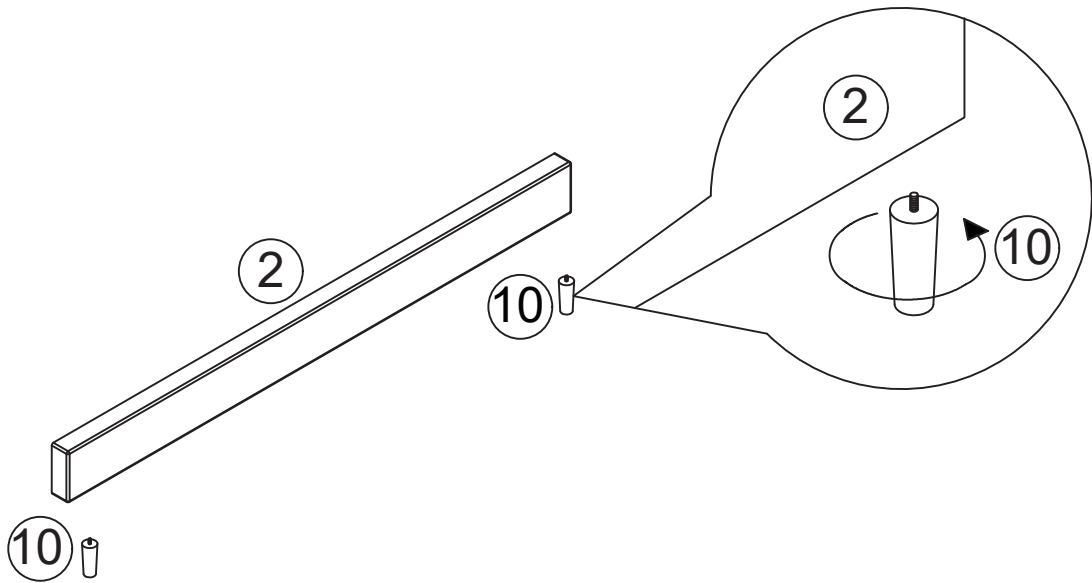
PART LIST

<p>A x 8</p>  <p>M6 x 20 mm</p>	<p>B x 8</p>  <p>M6 x 30 mm</p>	<p>C x 4</p>  <p>M6 x 35 mm</p>	<p>D x 6</p>  <p>M6 x 50 mm</p>
<p>E x 8</p>  <p>JCBC SCREW M7 x 30 mm</p>	<p>F x 20</p>  <p>M6 x Ø19 mm</p>	<p>G x 6</p>  <p>Leveler</p>	<p>H x 1</p>  <p>Allen Key</p>

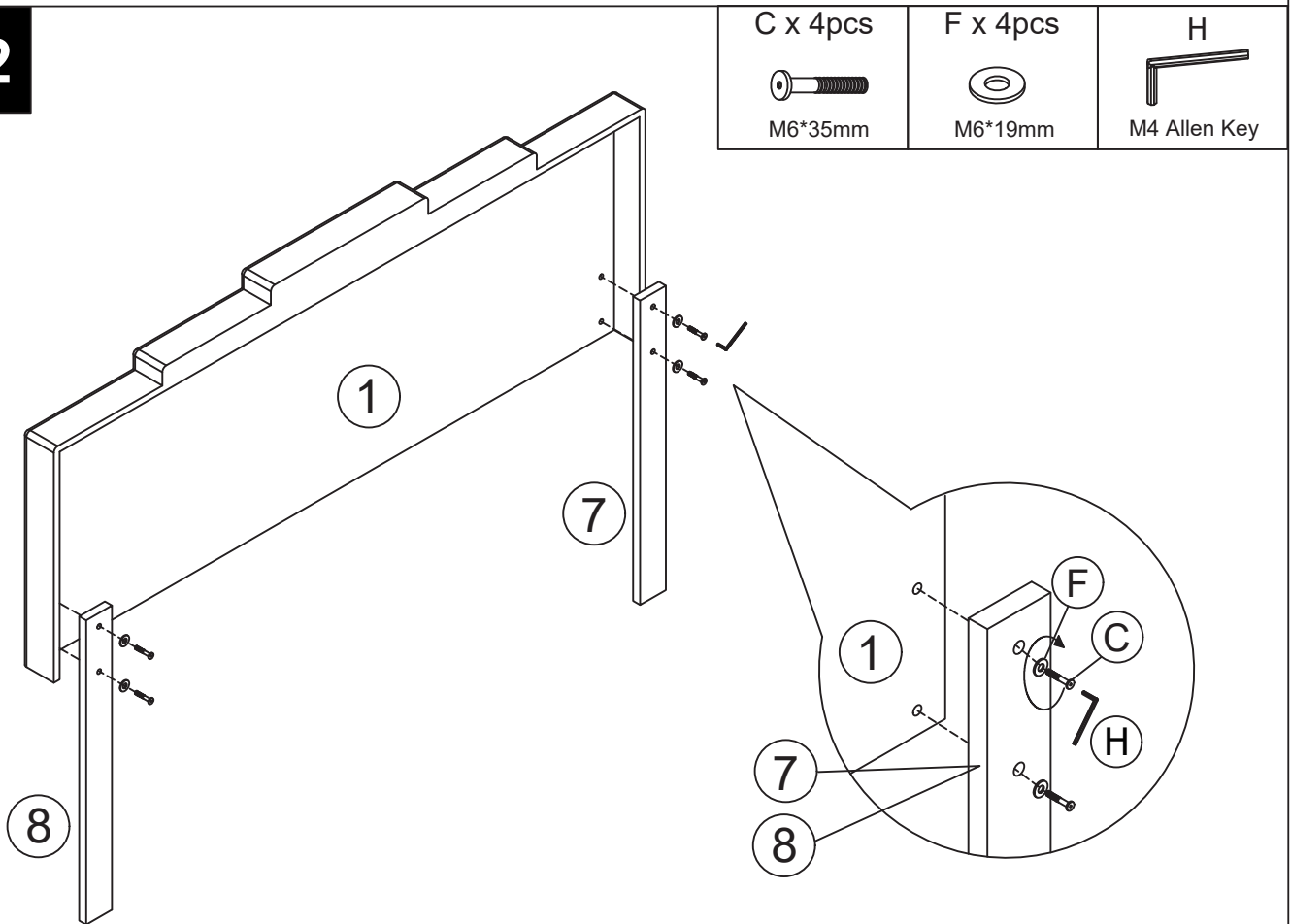


STEP

01



02



03

STEP

03

B x 8pcs



M6*30mm

F x 8pcs

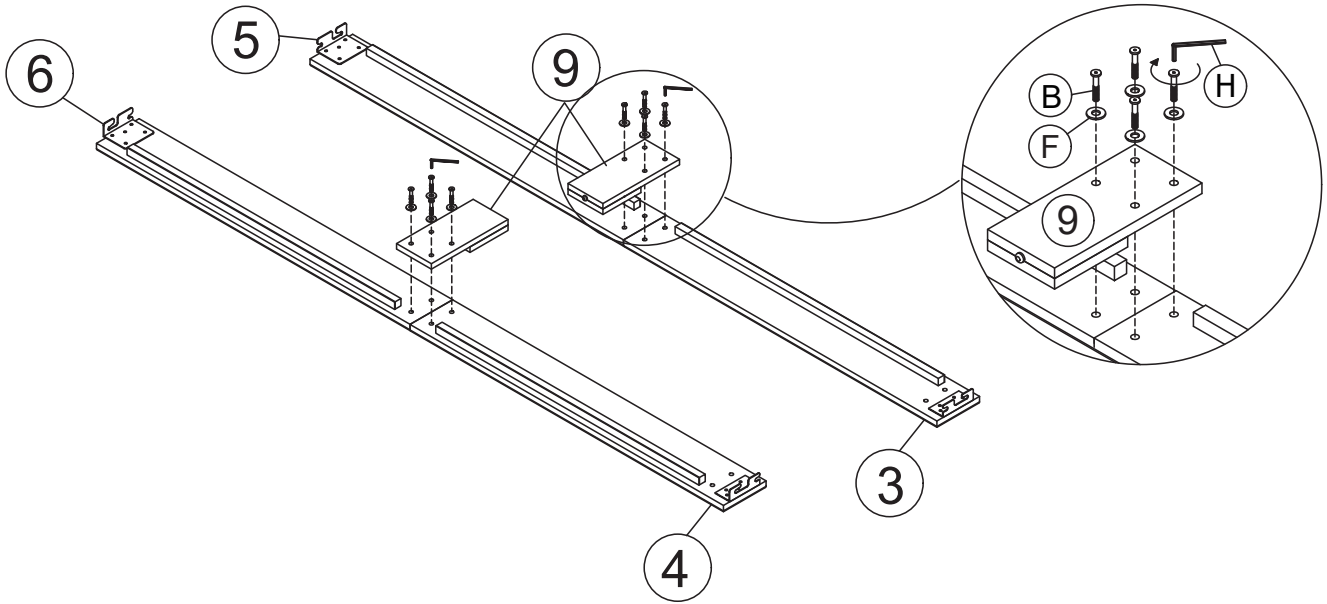


M6*19mm

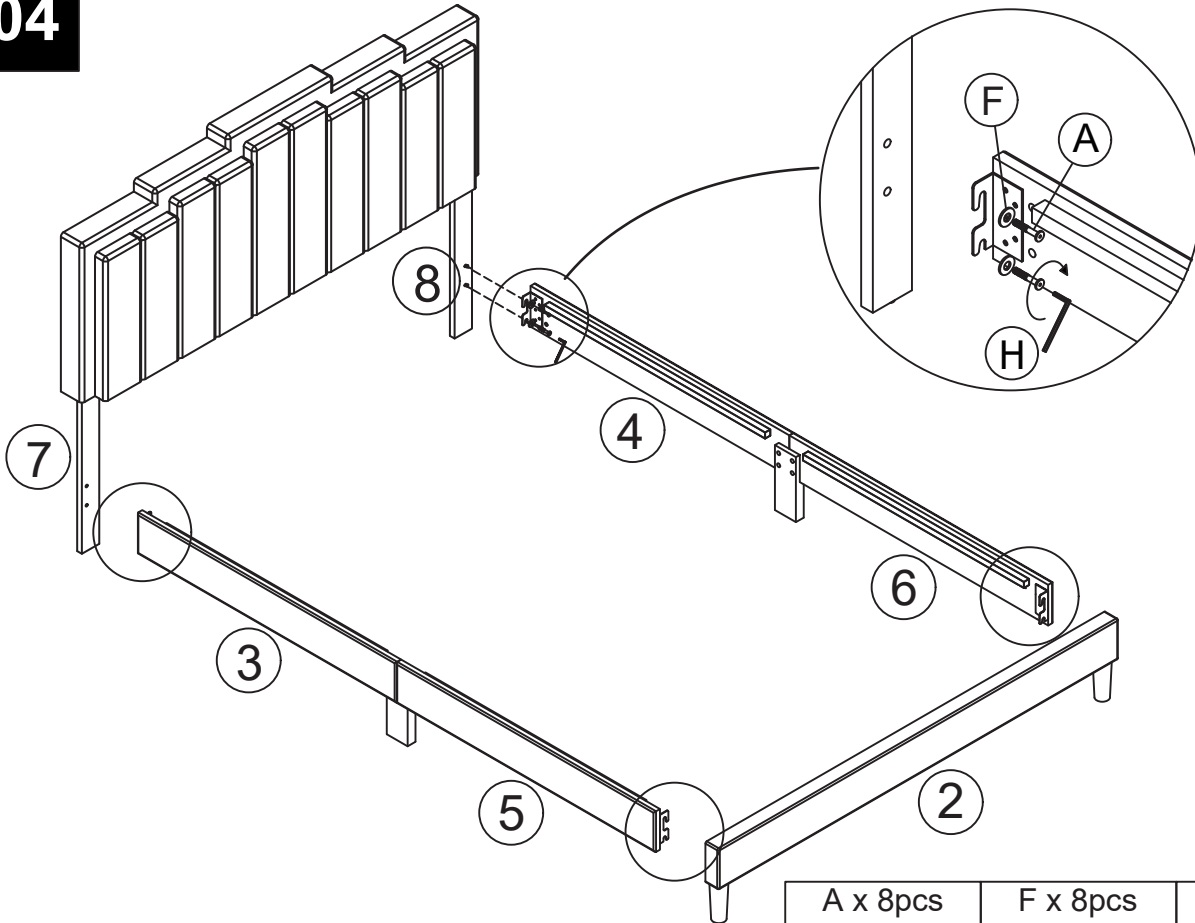
H



M4 Allen Key



04



A x 8pcs



M6*20mm

F x 8pcs



M6*19mm




H

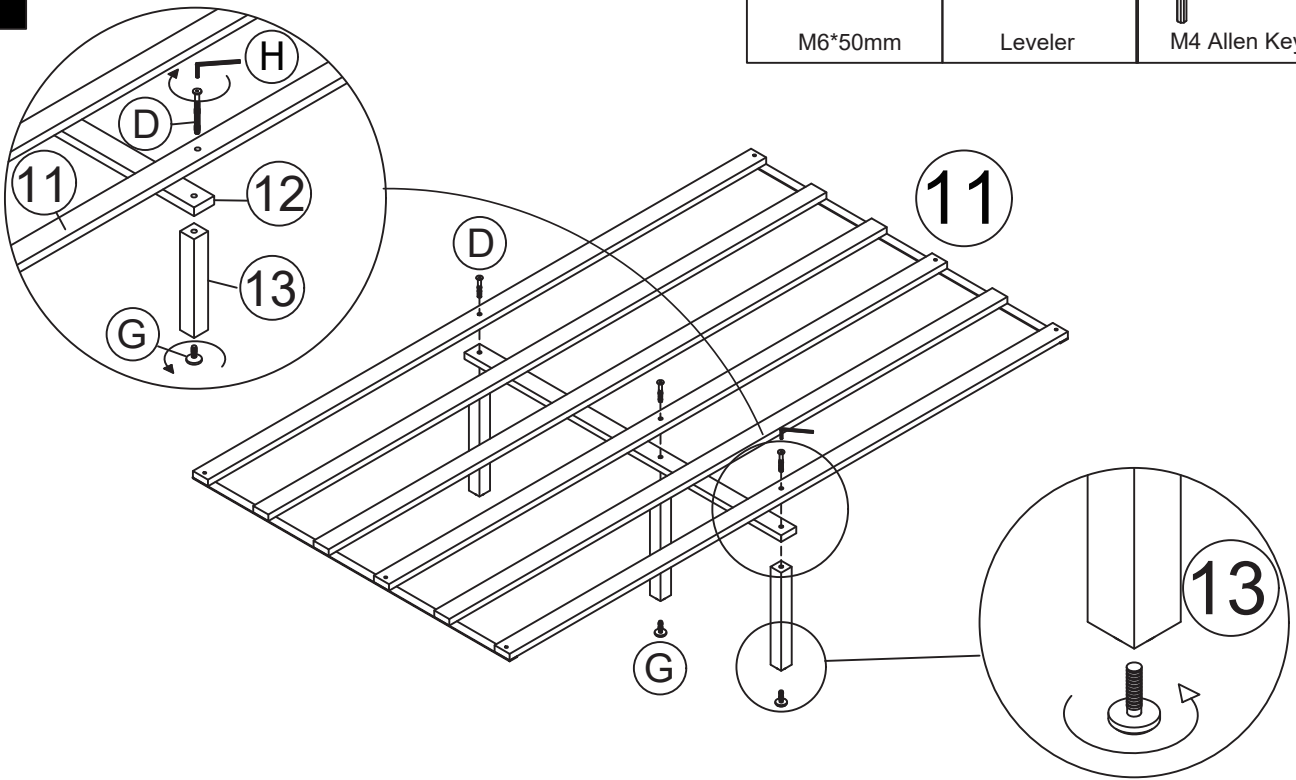


M4 Allen Key

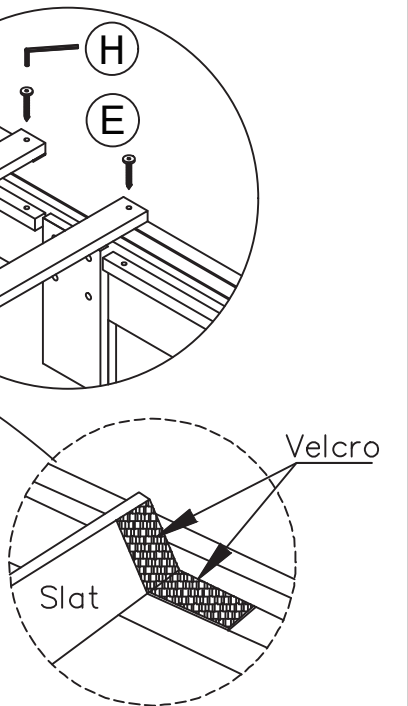
STEP



05

D x 6pcs  M6*50mm	G x 6pcs  Leveler	H  M4 Allen Key
---	--	--



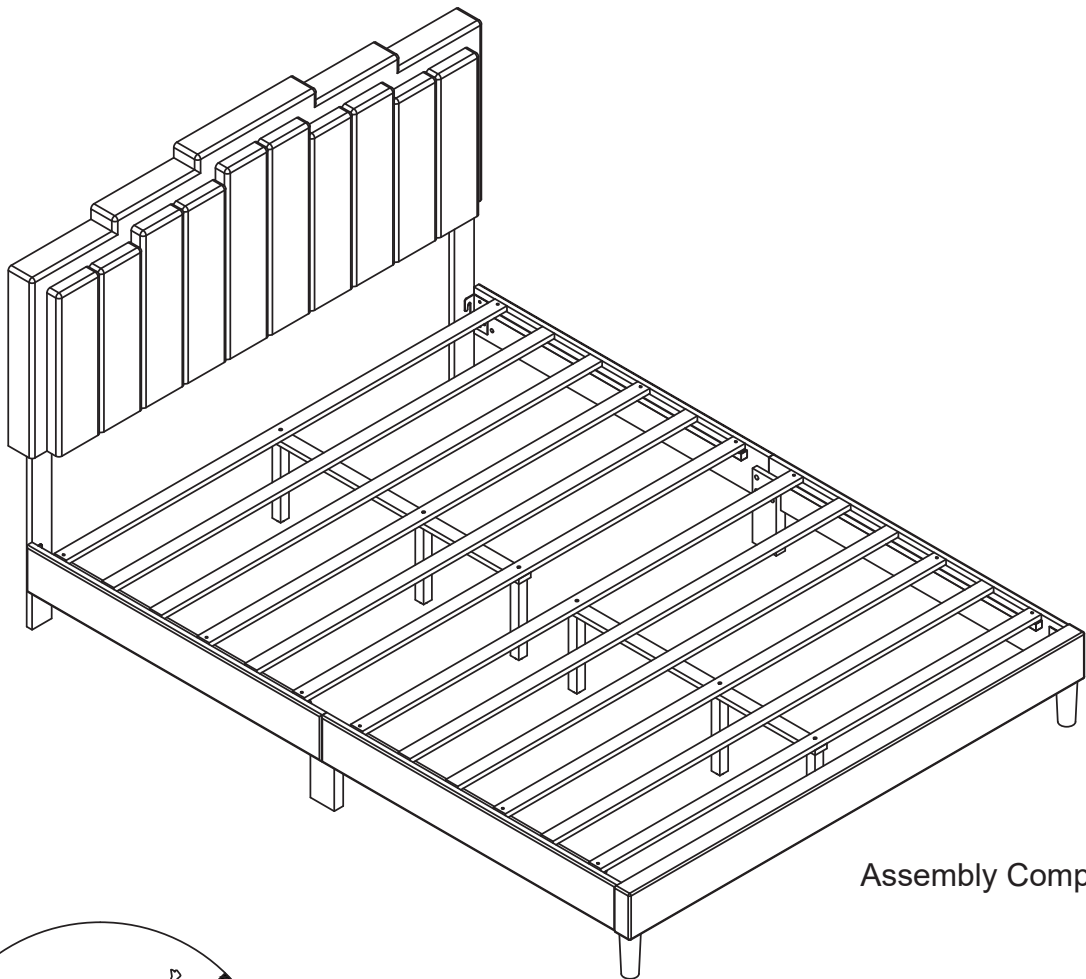
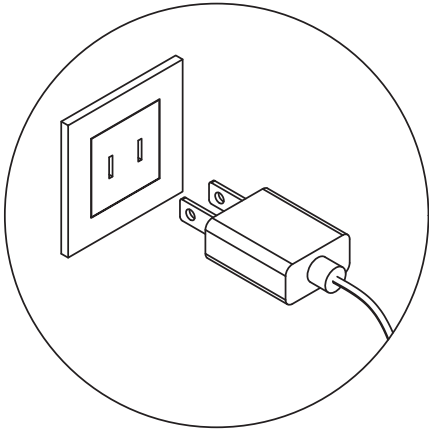
06



E x 8pcs  M7*30mm	H  M4 Allen Key
--	--

STEP

07



Assembly Complete



AFTER-SALE SERVICE

If you have any suggestions for our products or notice any quality issues, please contact us first. Our after-sales team will respond within 24 hours and will do everything possible to provide you with a satisfactory solution.

Guaranteed Customer Service

Your shopping experience is very important to us!

Feel unsatisfied? **Contact us!**

Have any questions? **Contact us!**

Wanna Share how wonderful our smart products make your home?

Share your pictures with us.

Any suggestions? **Contact us!**

We will check and give feedback.



Homefurniture Serviceteam@outlook.com

