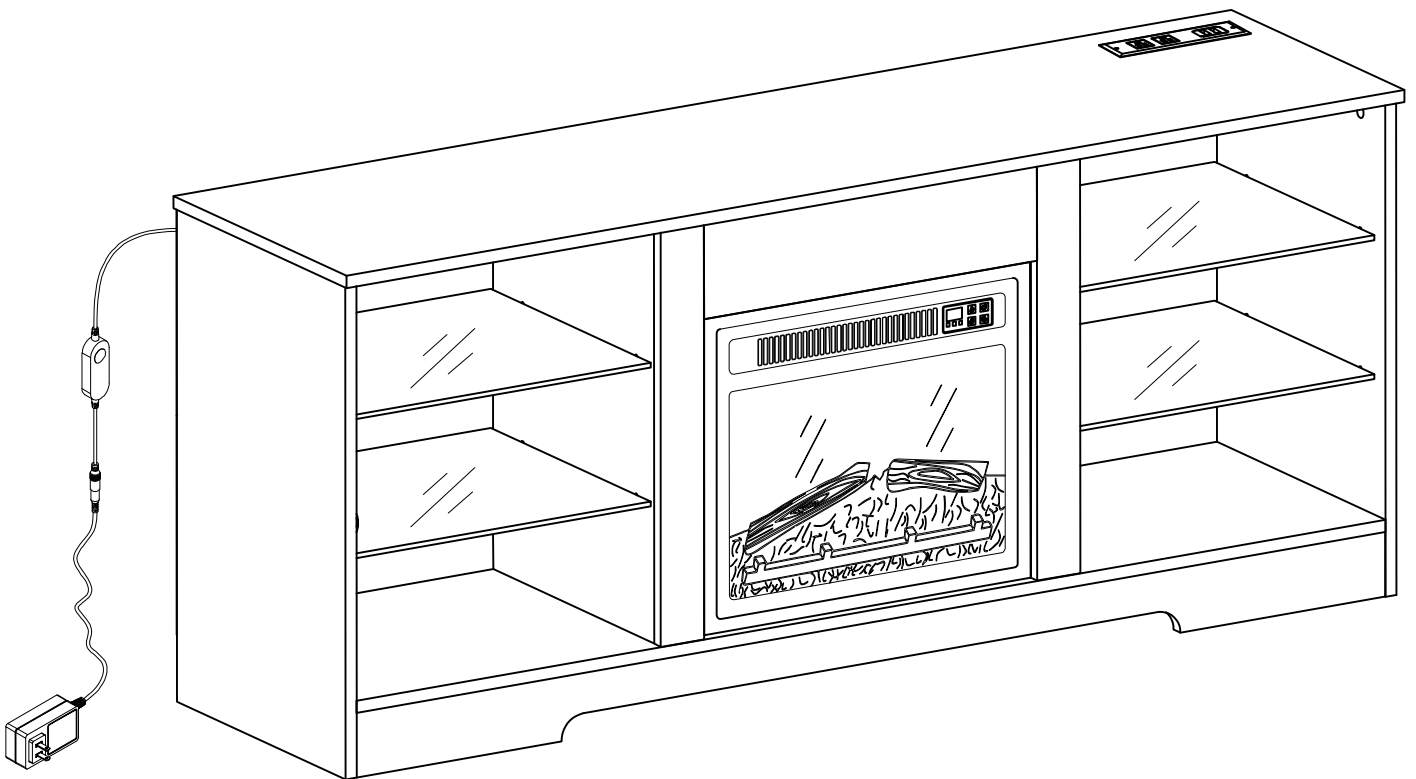
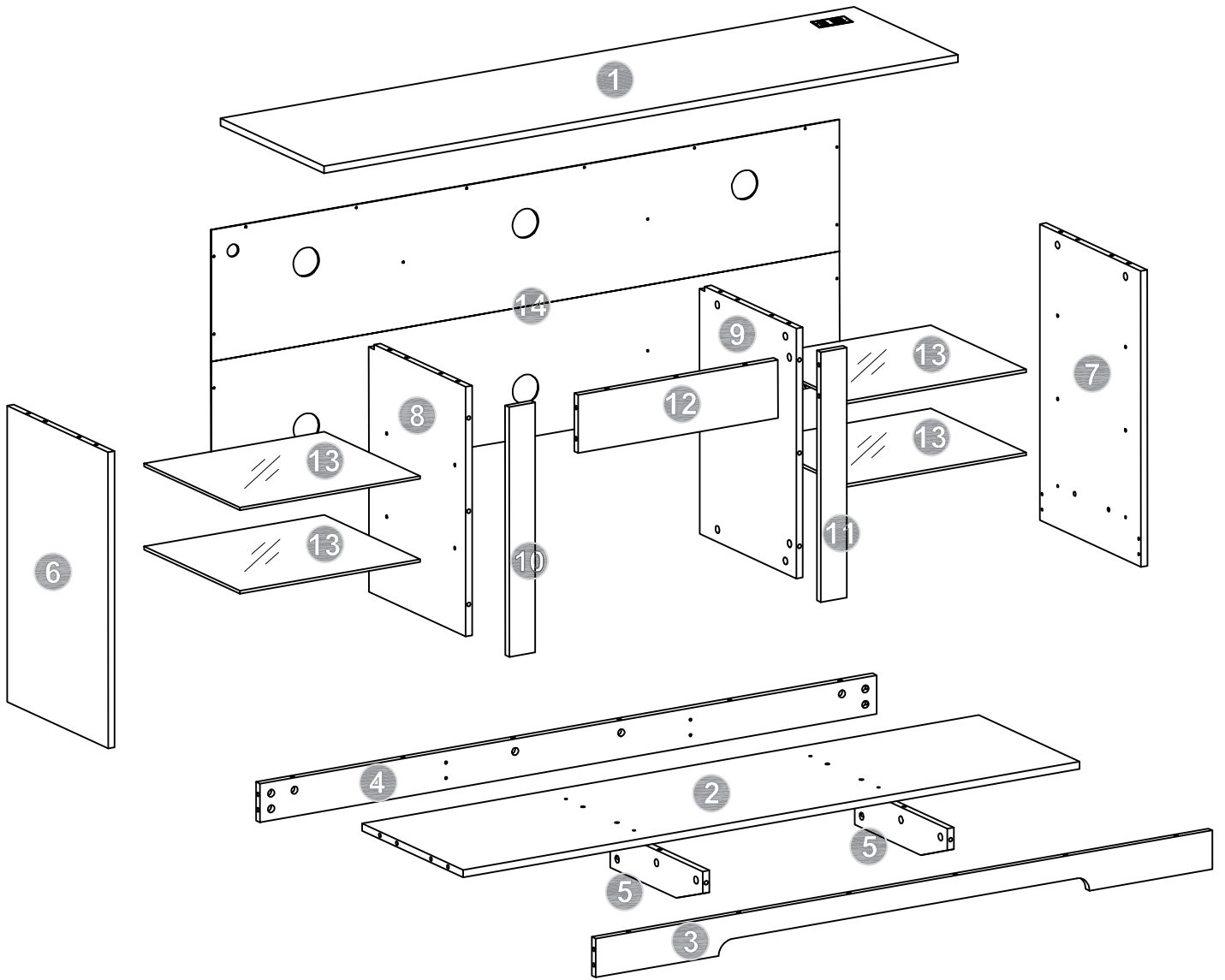



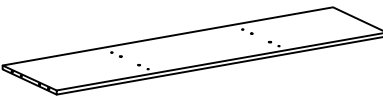
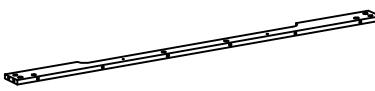
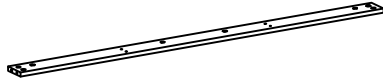
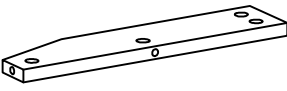
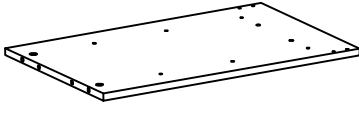
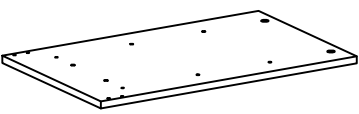
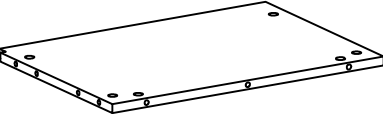
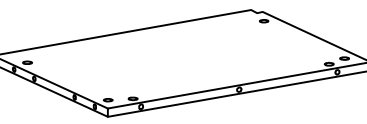
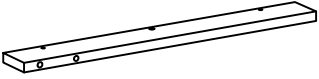
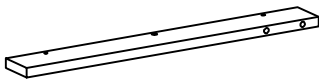
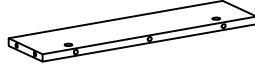
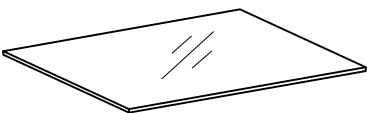
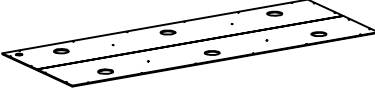
Lighted TV Stand w/Fi replace


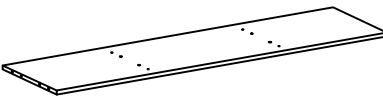
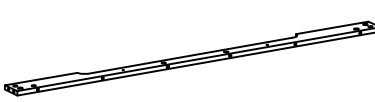
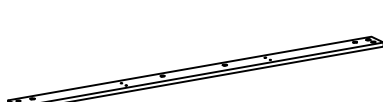
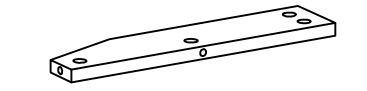
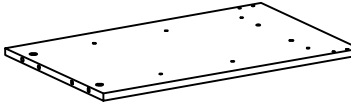
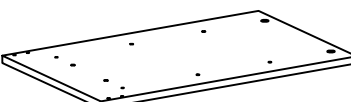

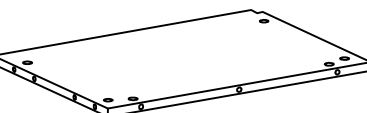
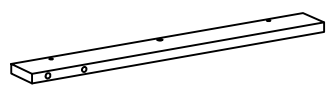
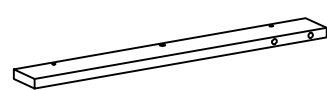
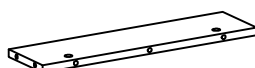
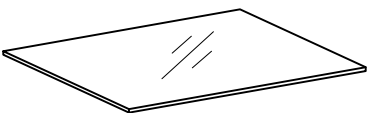
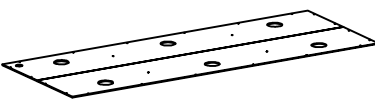
Assembly Instructions



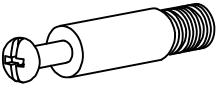
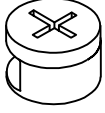
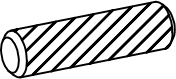
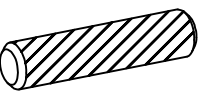
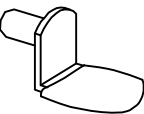
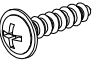
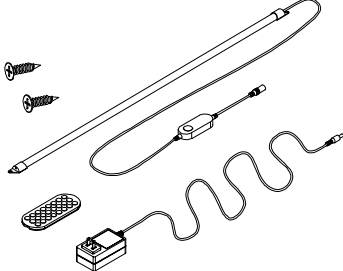
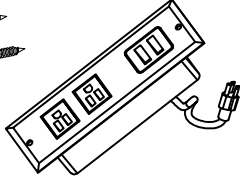
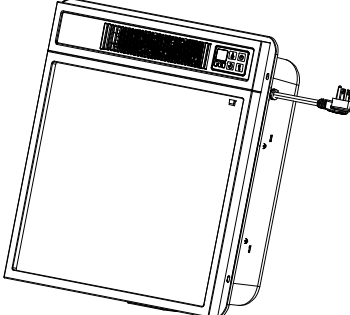
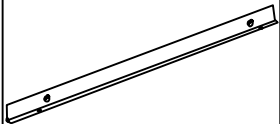


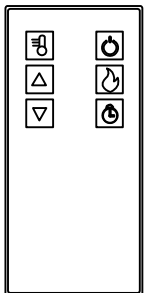
PACKAGE INCLUDE





 <p>1 1x</p>	 <p>2 1x</p>	 <p>3 1x</p>	 <p>4 1x</p>
 <p>5 2x</p>	 <p>6 1x</p>	 <p>7 1x</p>	 <p>8 1x</p>
 <p>9 1x</p>	 <p>10 1x</p>	 <p>11 1x</p>	 <p>12 1x</p>
 <p>13 4x</p>	 <p>14 1x</p>		

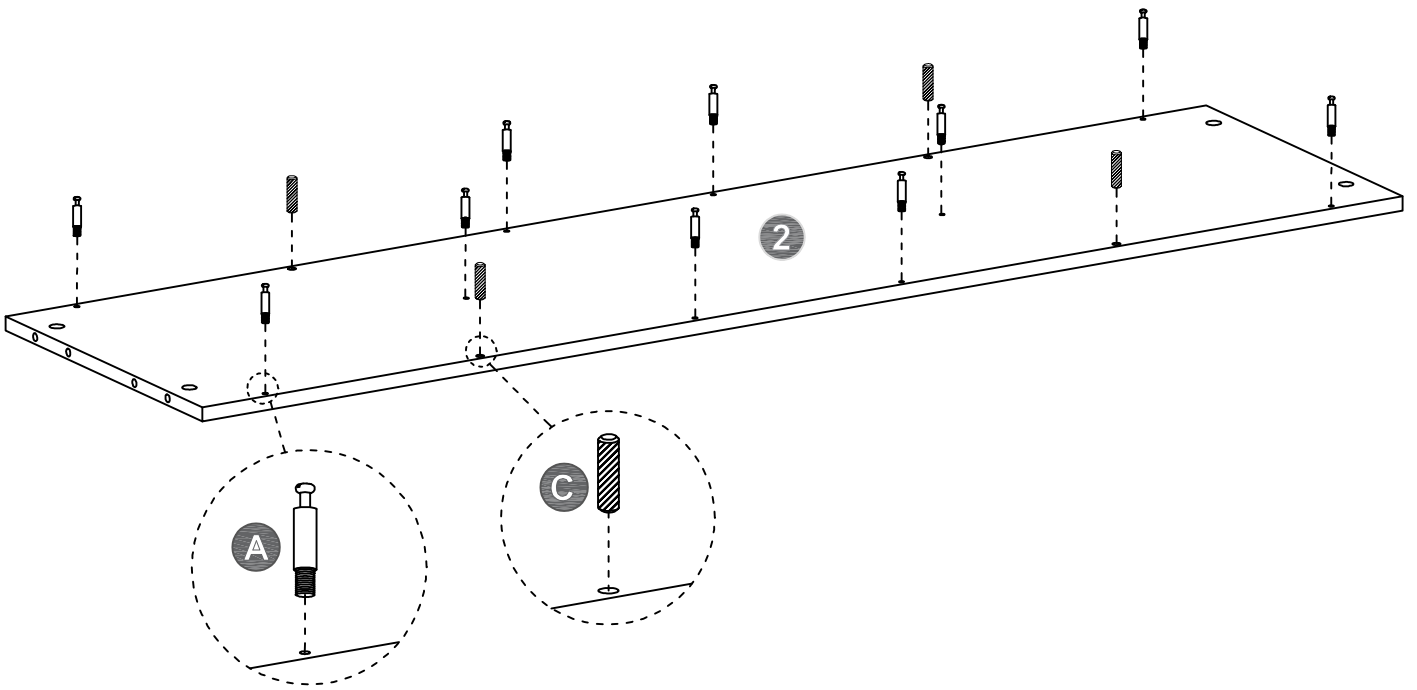
 <p>1 1x</p>	 <p>2 1x</p>	 <p>3 1x</p>	 <p>4 1x</p>
 <p>5 2x</p>	 <p>6 1x</p>	 <p>7 1x</p>	 <p>8 1x</p>
 <p>9 1x</p>	 <p>10 1x</p>	 <p>11 1x</p>	 <p>12 1x</p>
 <p>13 4x</p>	 <p>14 1x</p>		

PACKAGE CONTENT

 <p>A 46x+1</p>	<p>Ø15x11MM</p>  <p>B 46x+1</p>	<p>Ø8x30MM</p>  <p>C 23x+1</p>	<p>Ø8x40MM</p>  <p>D 4x+1</p>	
 <p>E 16x</p>	<p>Ø3x14MM</p>  <p>F 24x+1</p>	 <p>G 1x</p>	<p>Ø3.5X12MM</p>  <p>K</p>	
 <p>Fireplace Unit</p> <p>W 1x</p>	 <p>Top Trim</p> <p>X 1x</p>	 <p>Side Trim</p> <p>Y 2x</p>	 <p>Screw</p> <p>Z 12x</p>	 <p>Remote Control</p> <p>H 1x</p>

STEP 2

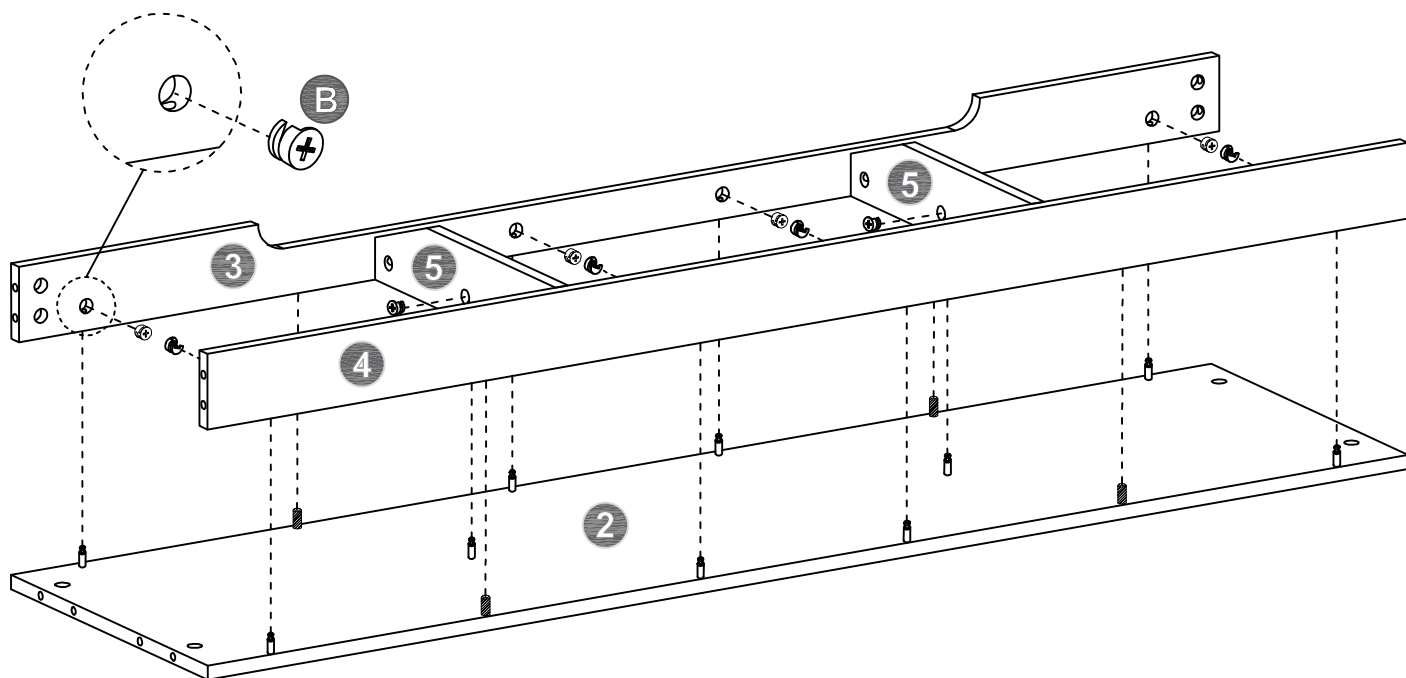
	
A 10X	C 4X



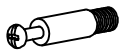
STEP 3



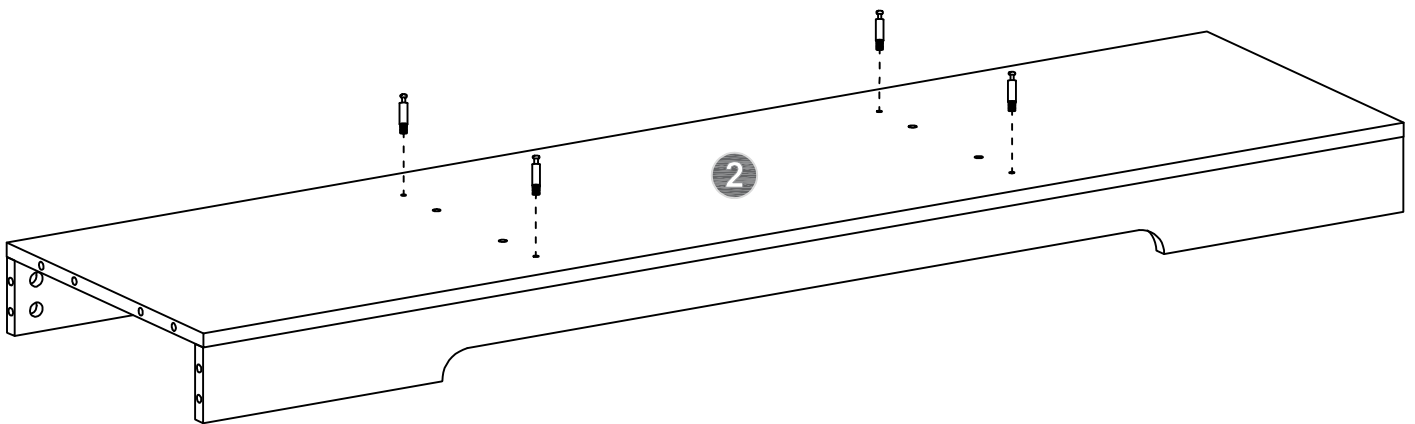
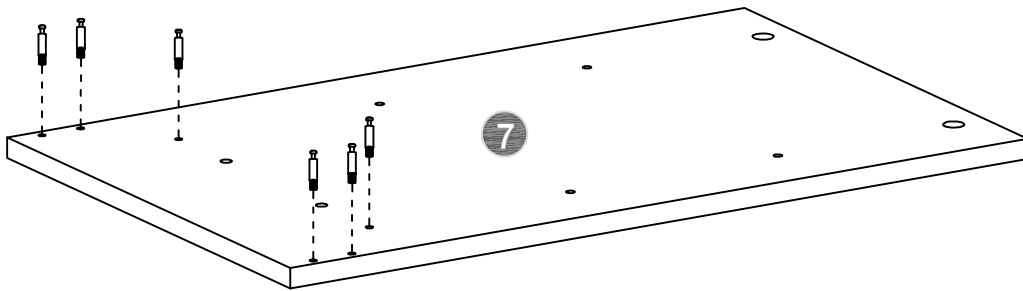
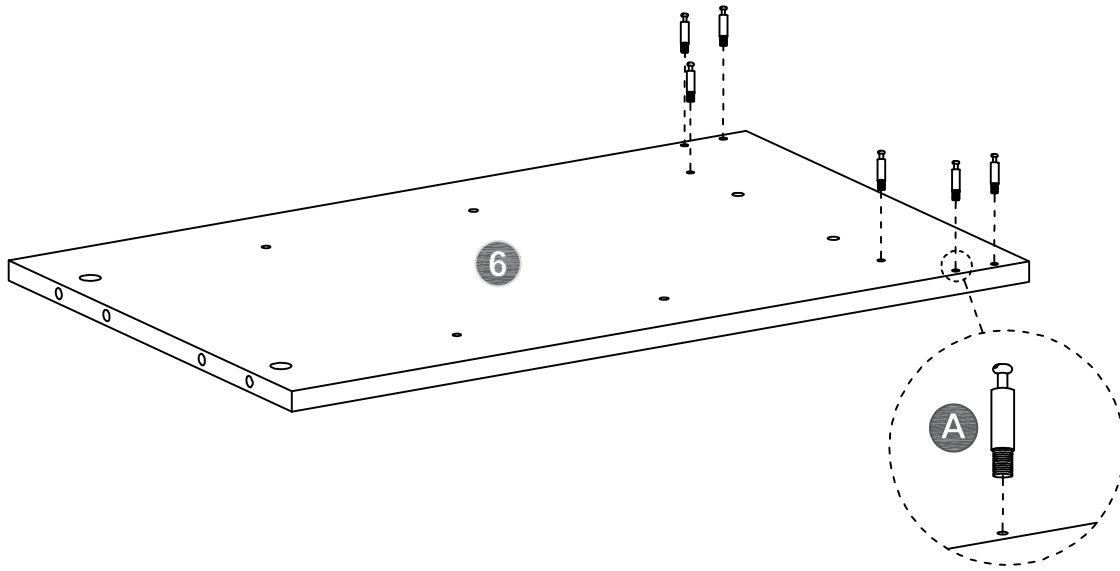
B 10X





STEP 4

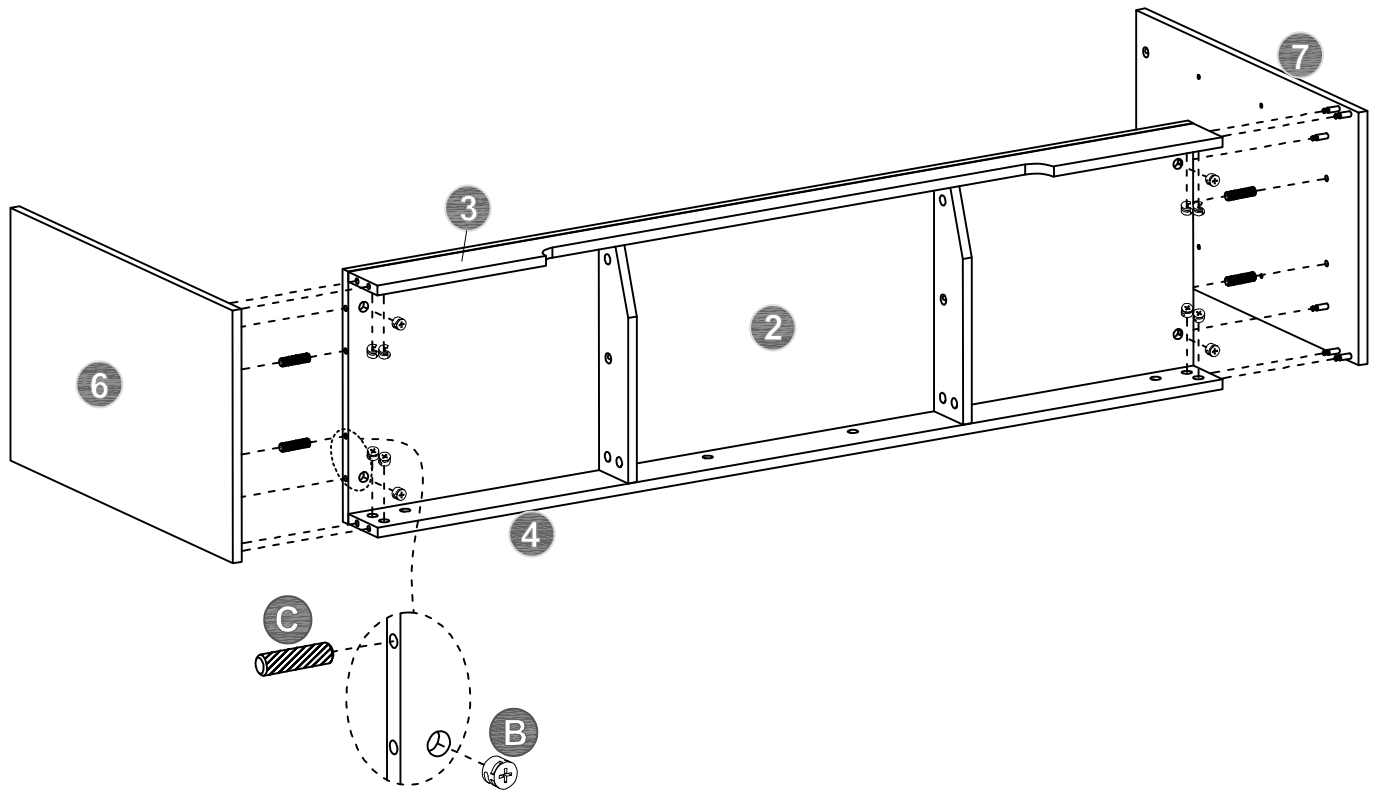


A 16X

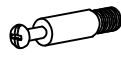




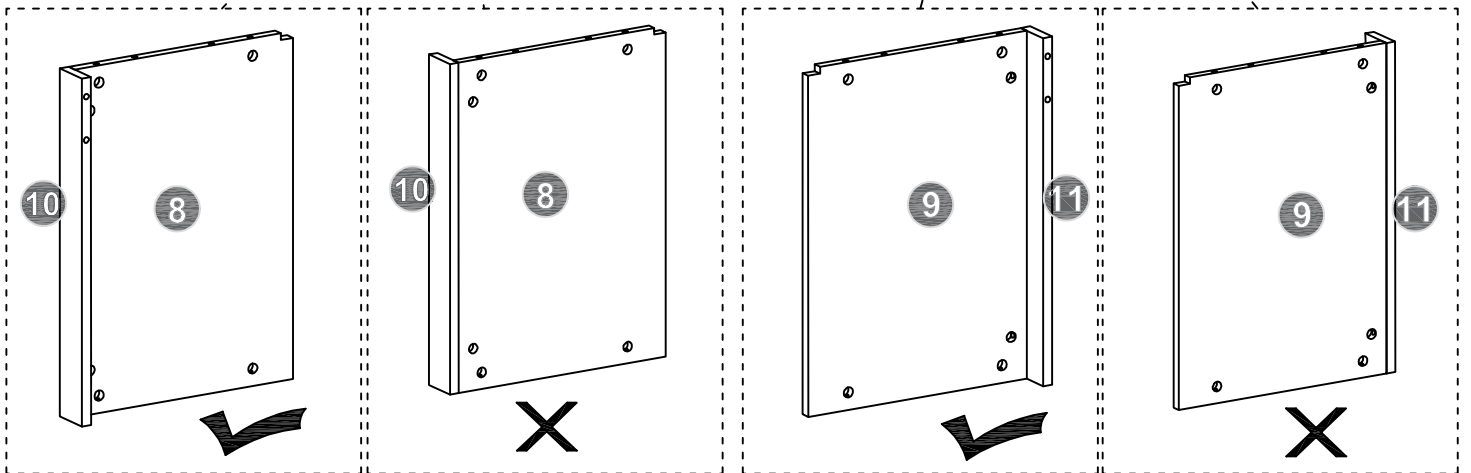
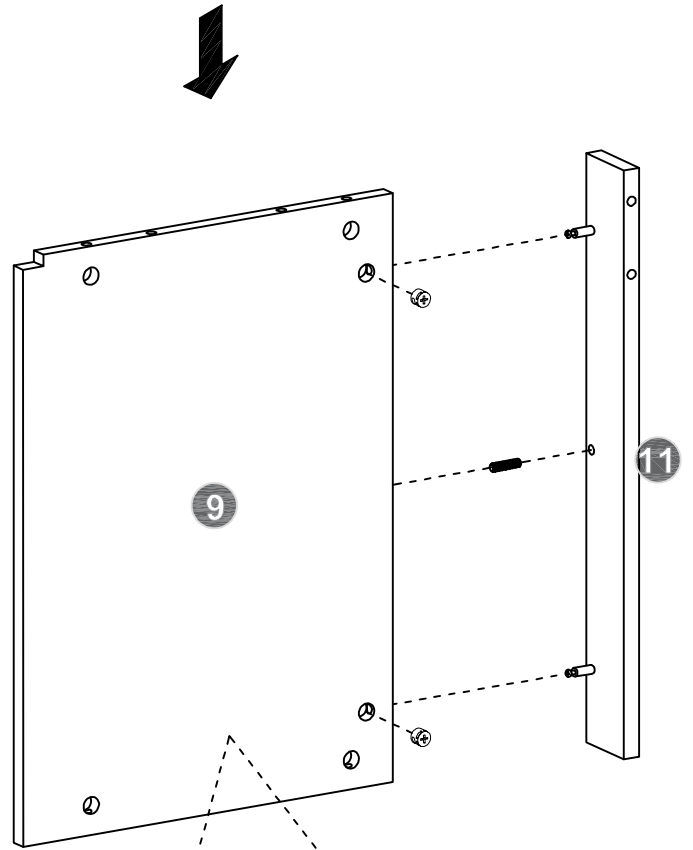
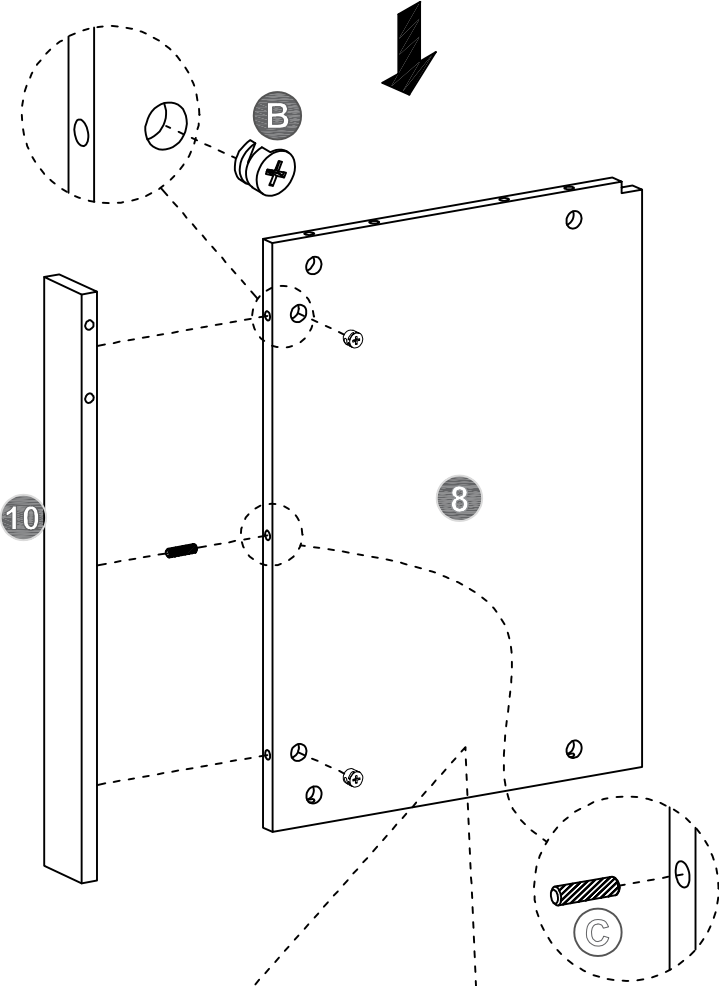
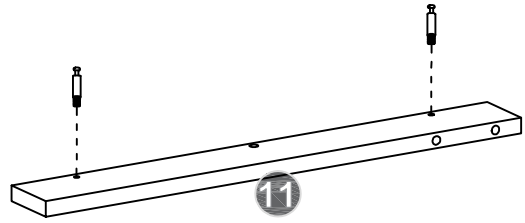
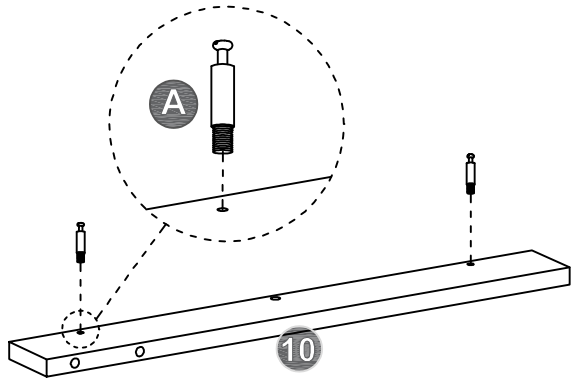
STEP 5

	
B 12X	C 4X



STEP 6

 <p>A 4X</p>	 <p>B 4X</p>	 <p>C 2X</p>
---	---	---

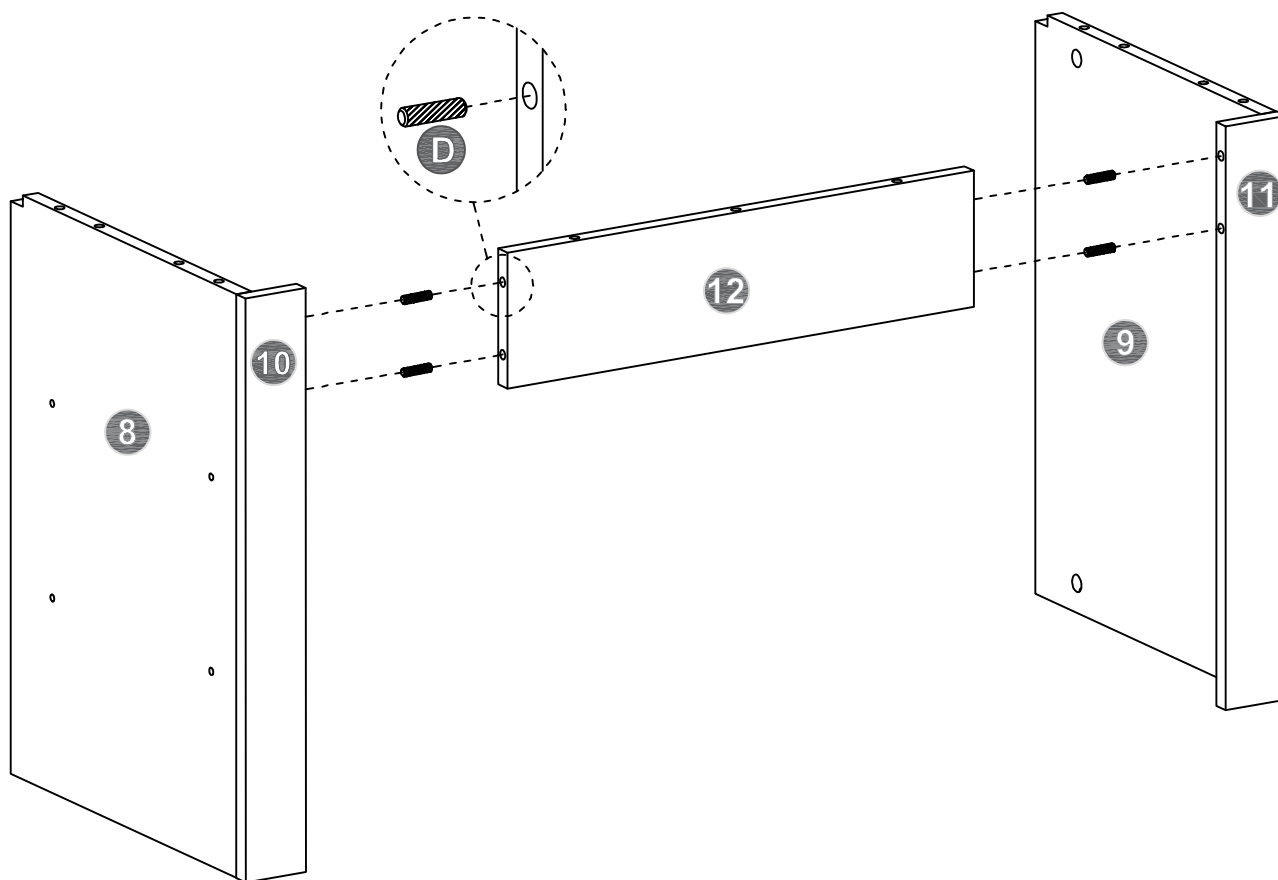


STEP 7





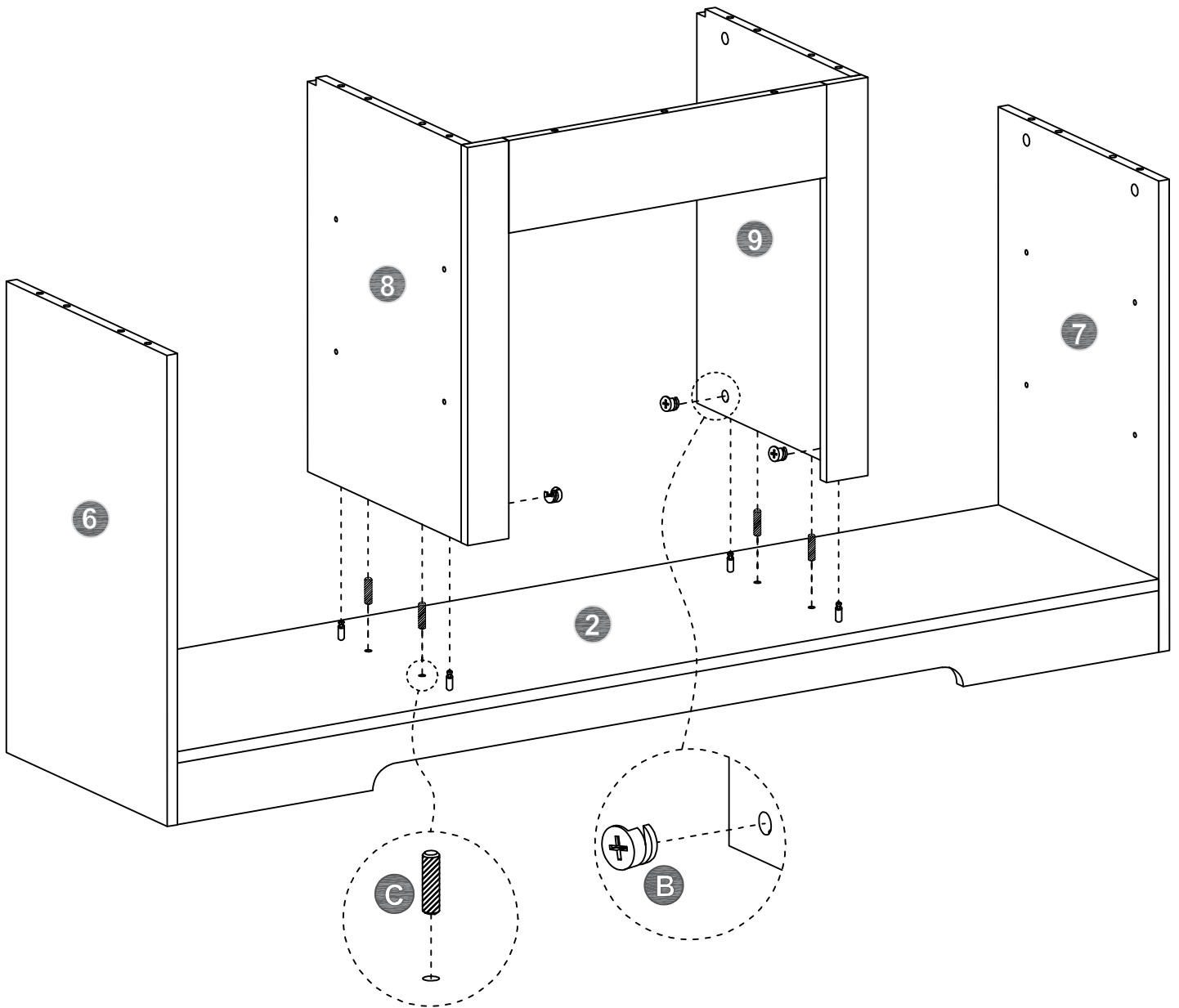
D

4X

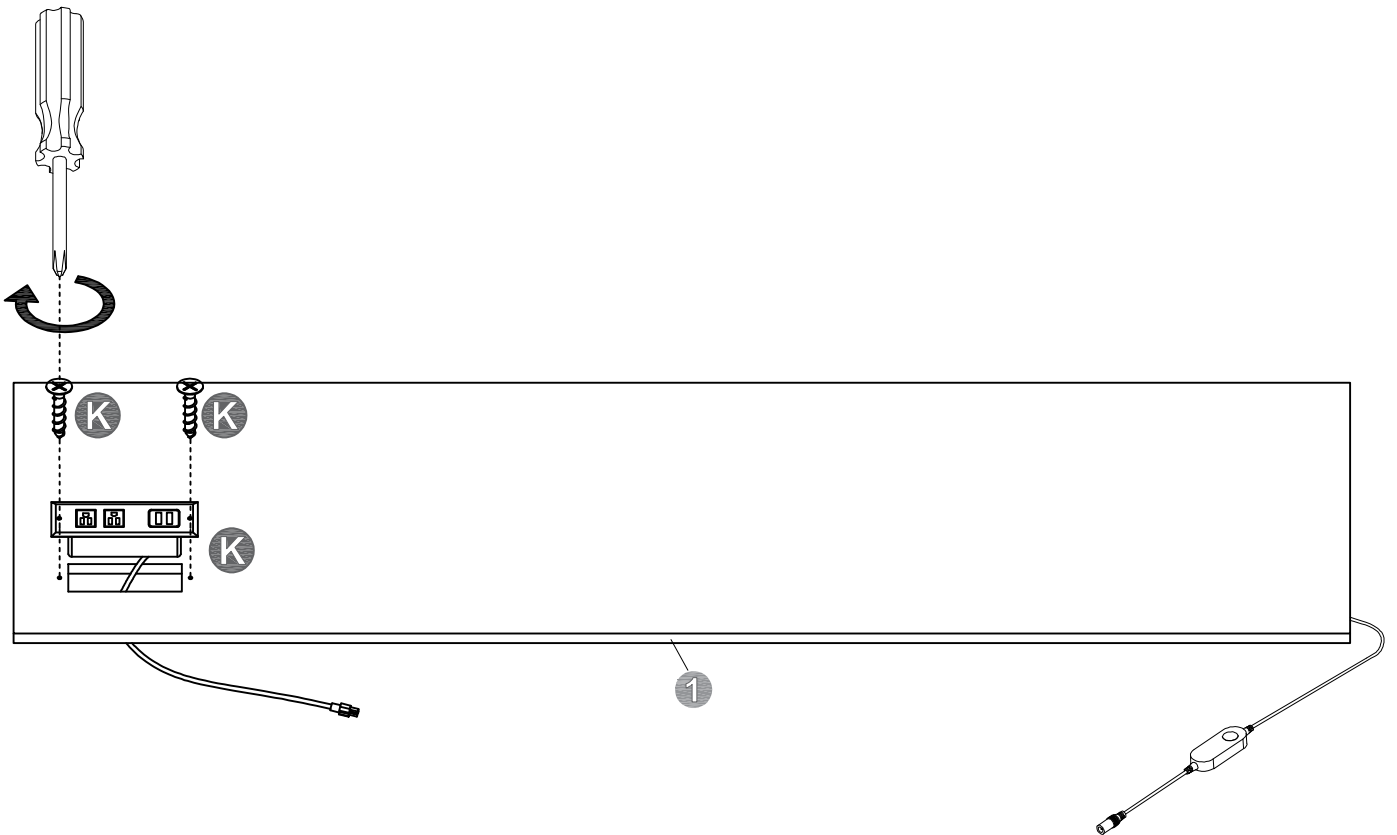
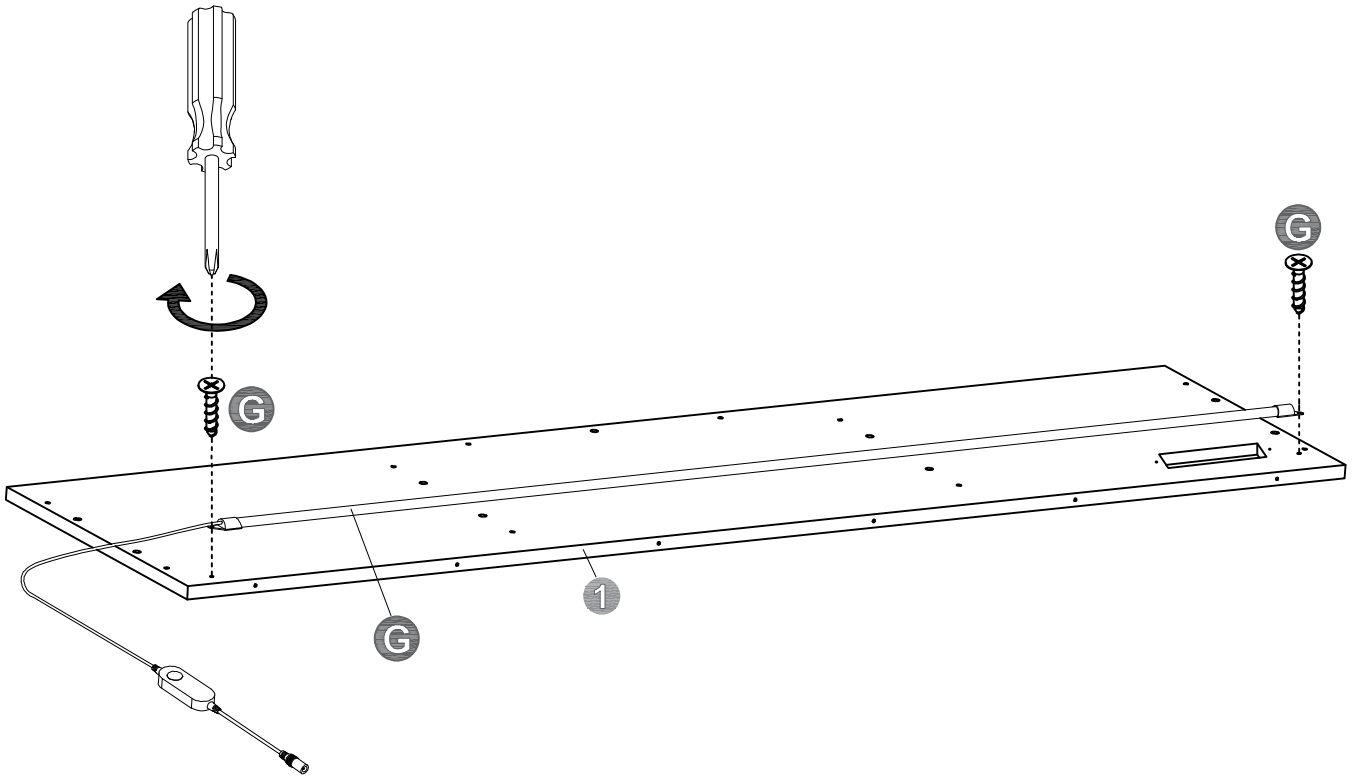
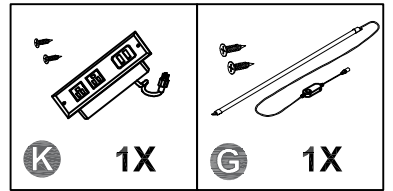


STEP 8

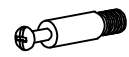


	
B 4X	C 4X

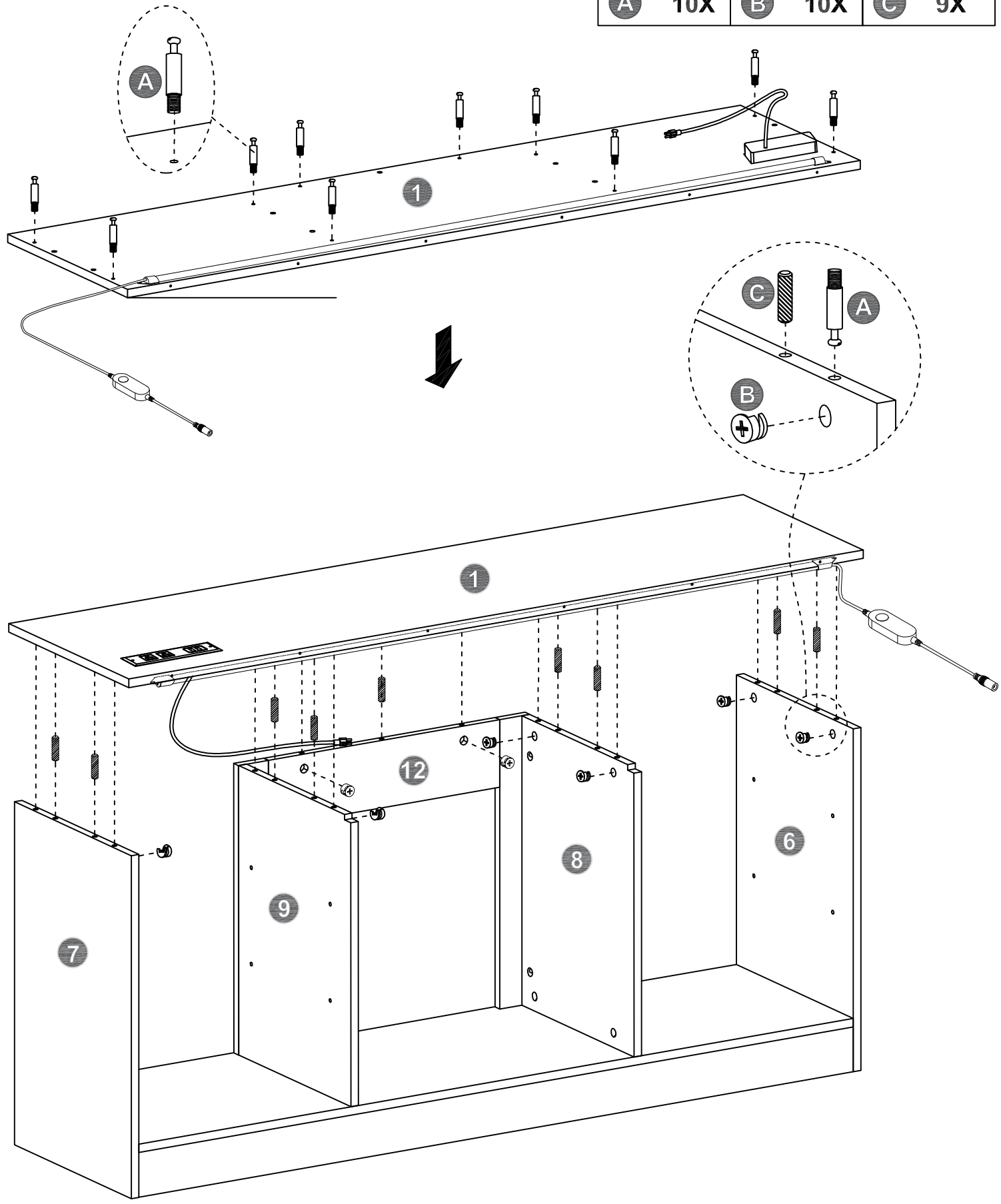


STEP 9

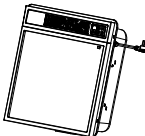



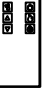


STEP 10

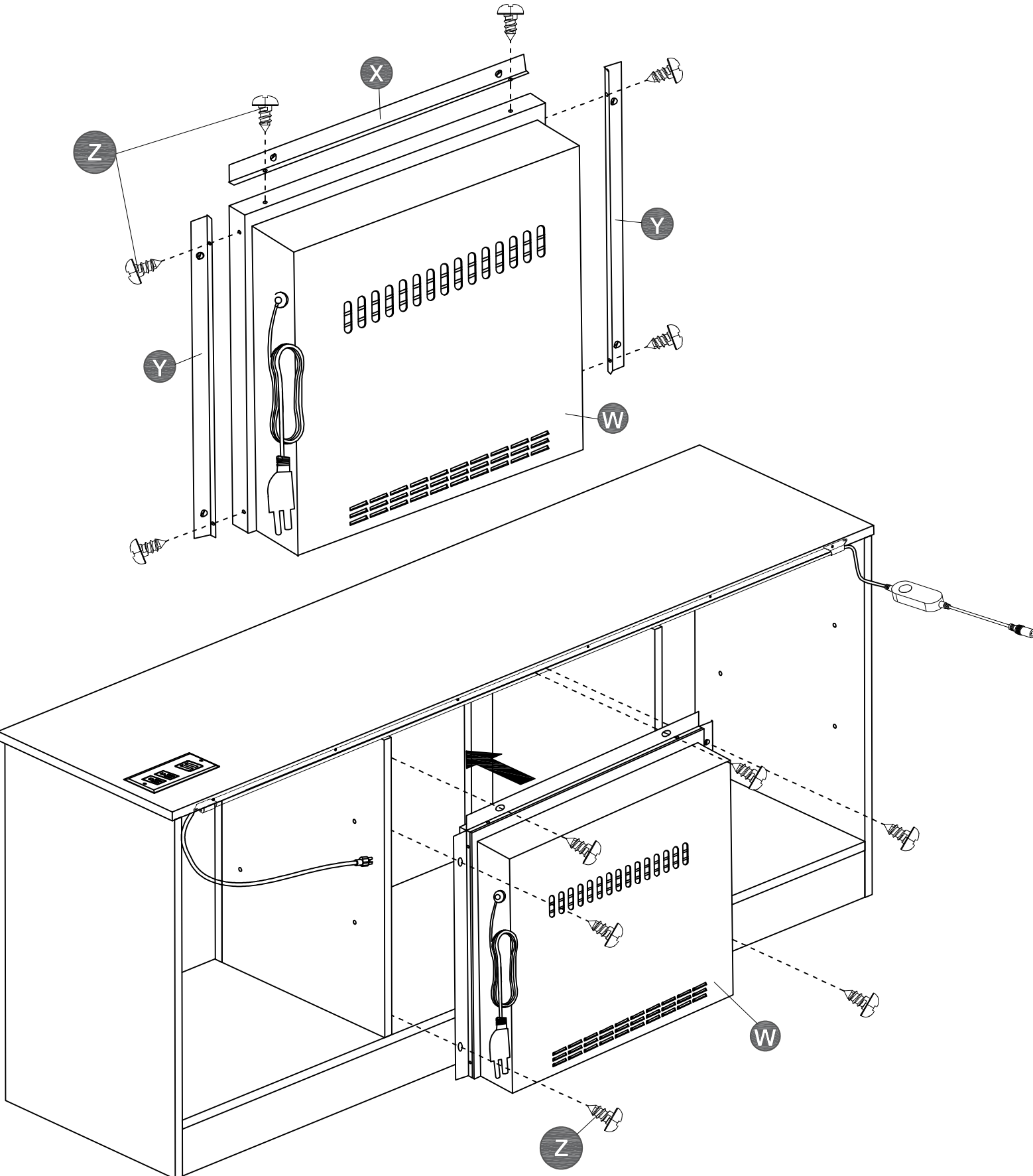
		
A 10X	B 10X	C 9X



STEP 11


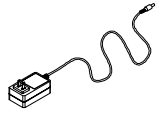
 W 1X	 X 1X	 Y 2X	 Z 12X	 H 1X
---	---	---	--	---

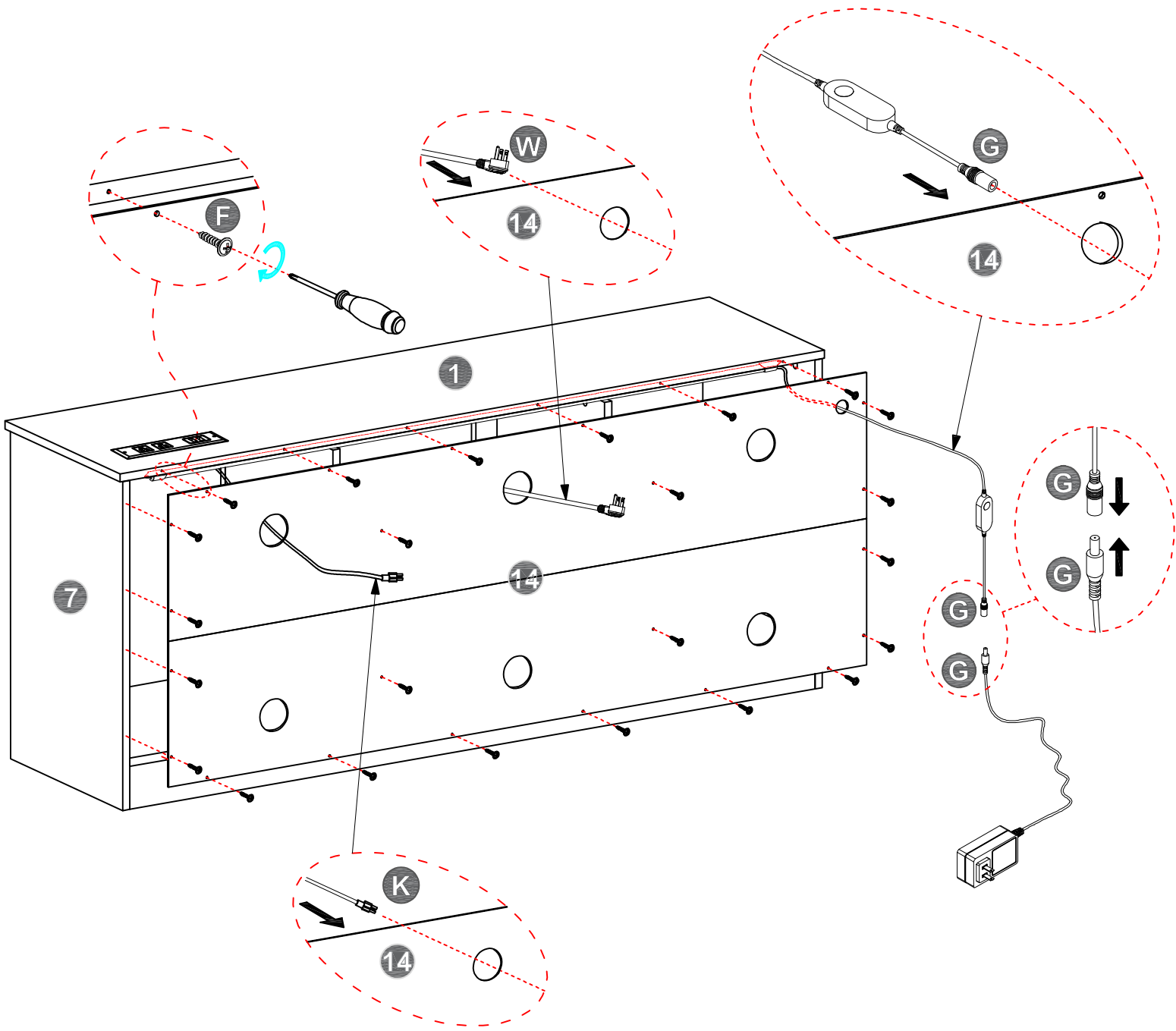
NOTE: Make sure two side trims are installed correctly.

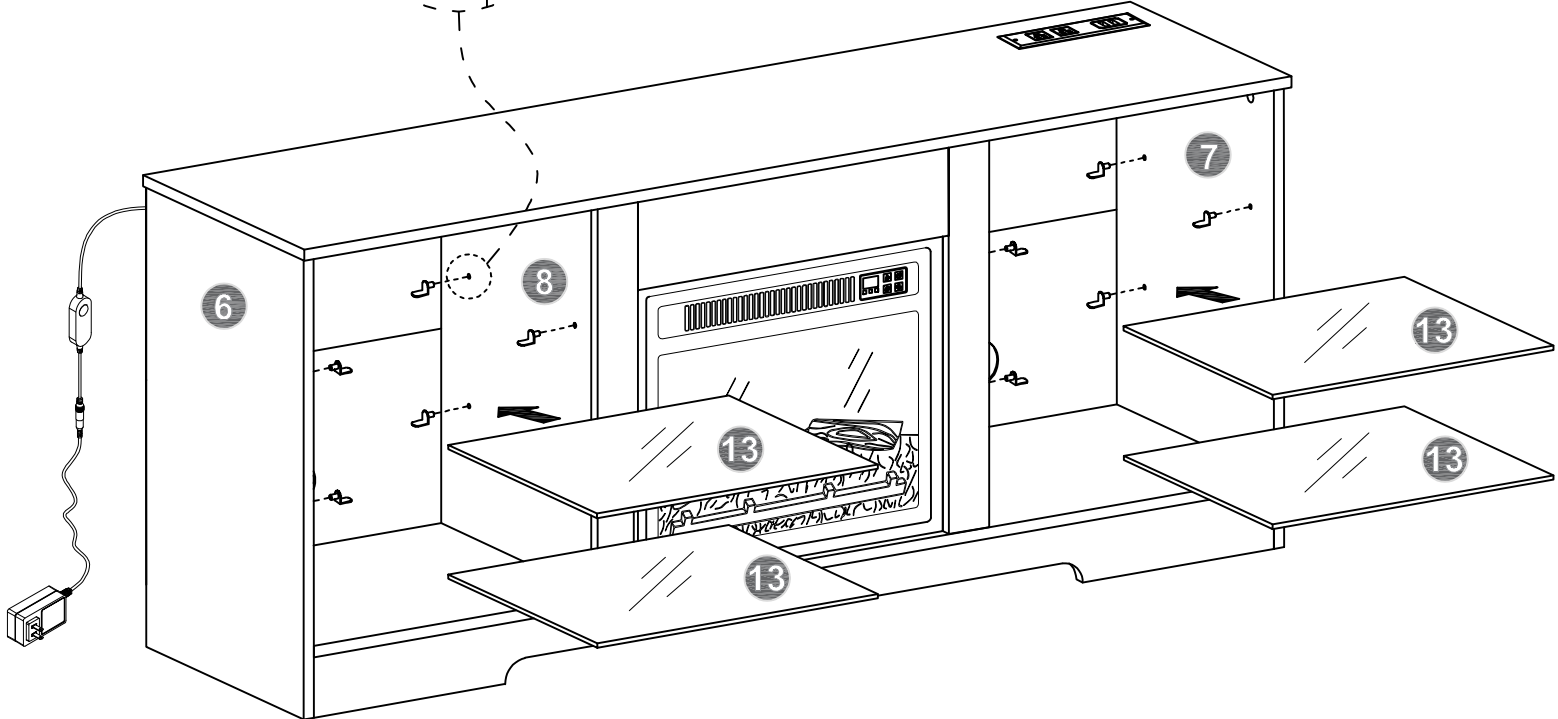
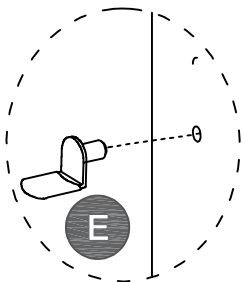
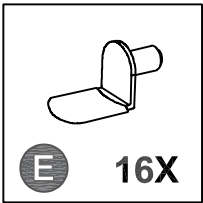


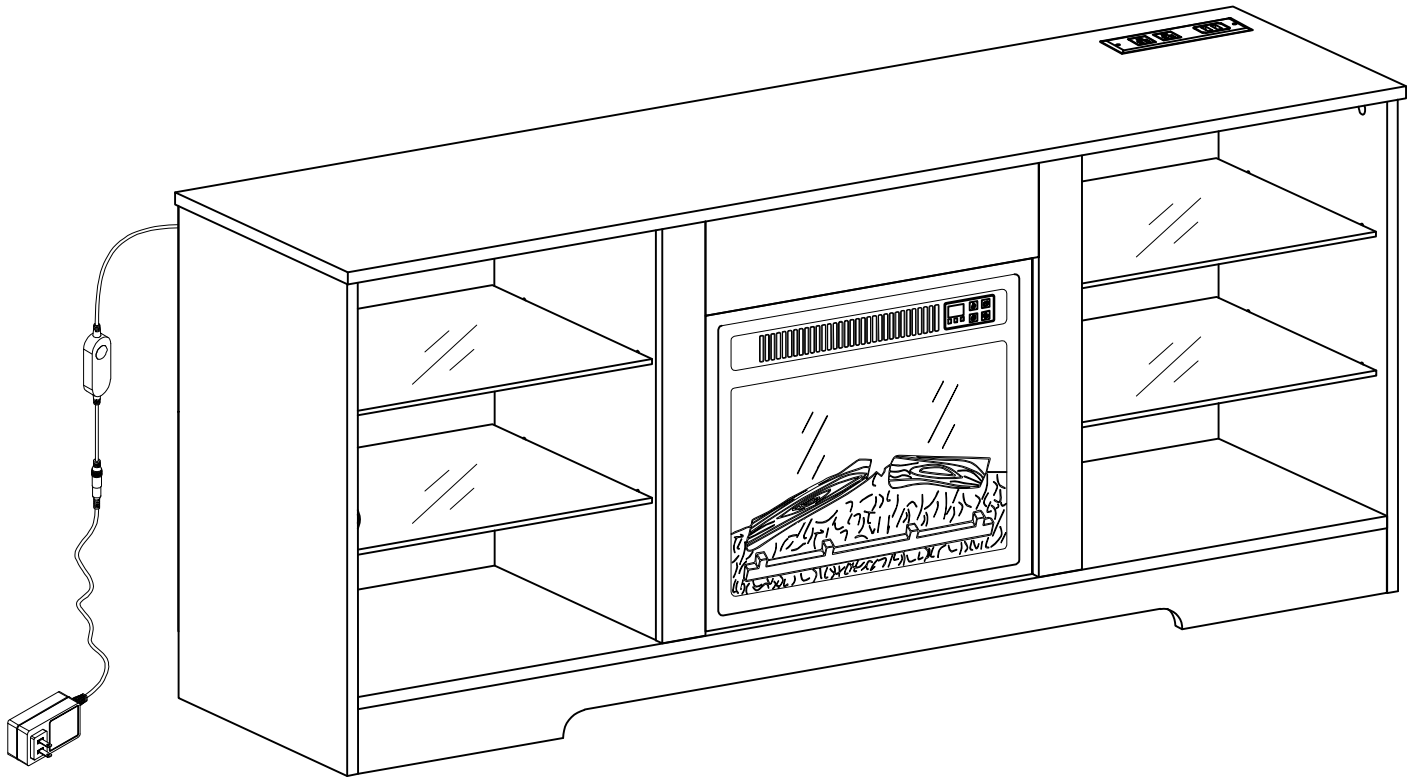
NOTE: Do not attempt to install the unit from the front of the mantel. It will not fit.

STEP 12

	
F 24X	G 1X







Congratulations on doing it.