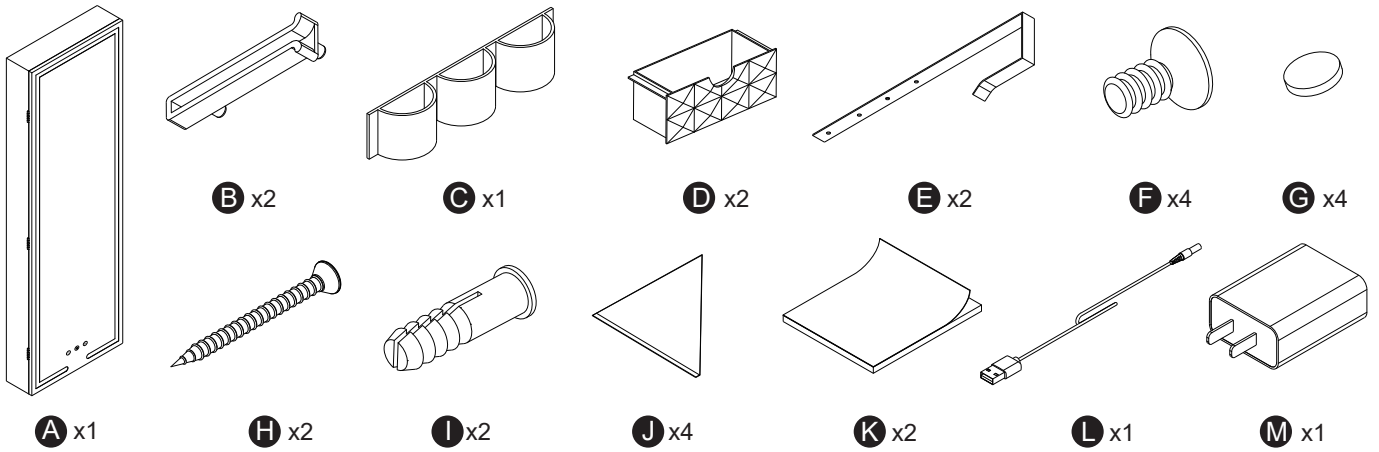
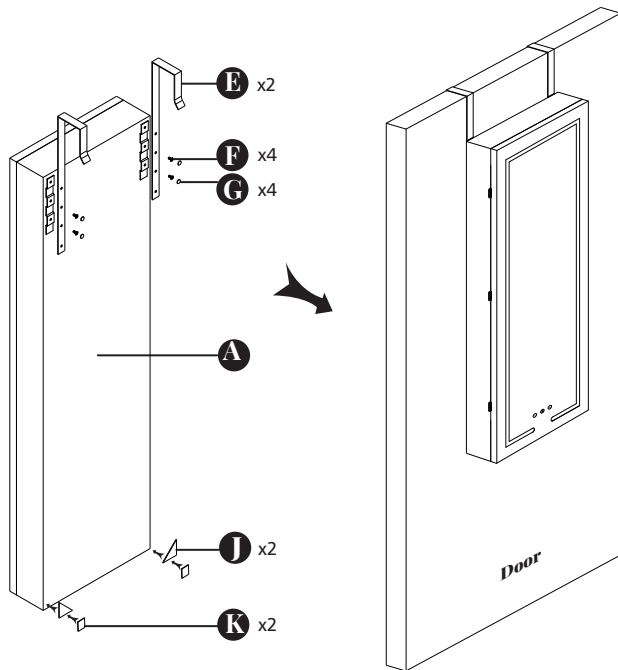


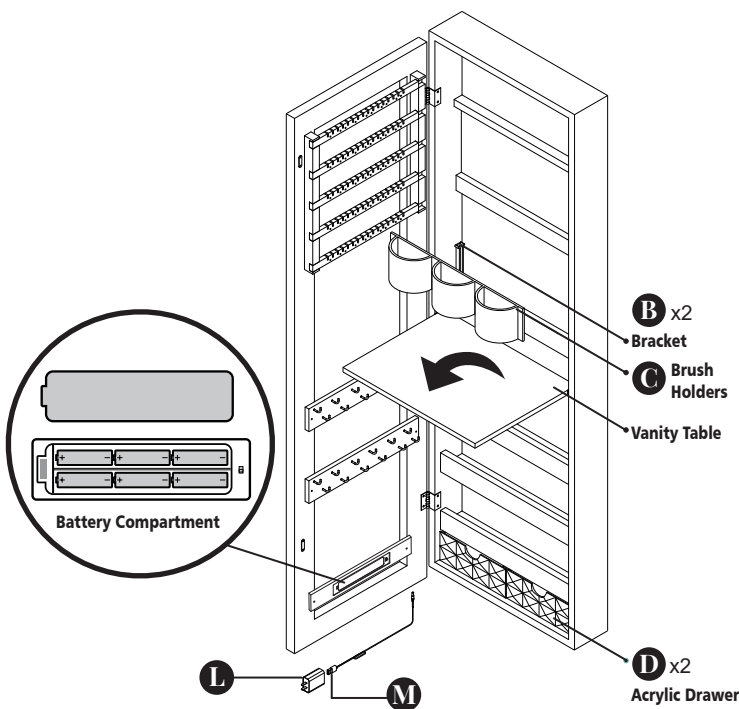
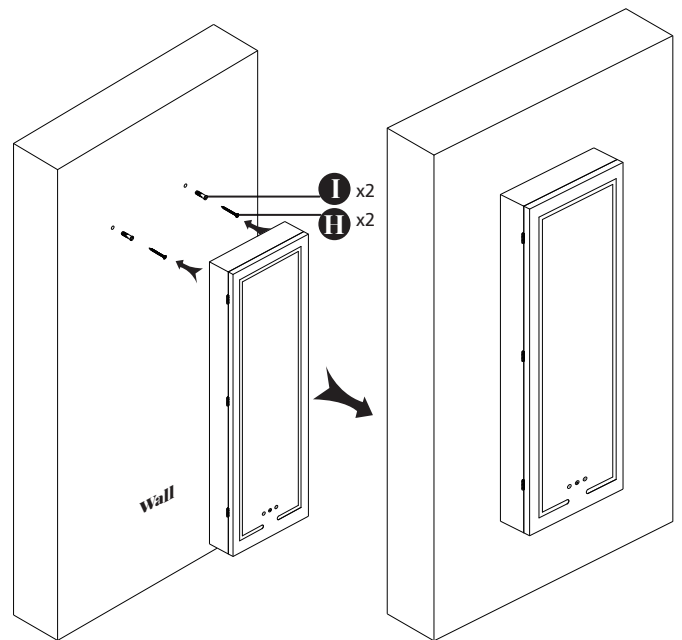
# ASSEMBLY INSTRUCTIONS



## Over-The-Door Assembly



## Wall-Mounted Assembly



## Power Supply Options

**This product can be powered in two ways:**

1. Battery Power: Use 6 AA batteries (not included).
2. USB Power: Connect the USB side of the cable to the adapter. Plug in the adapter to the power outlet. Connect the DC side of the cable to the cabinet.

### Note:

Please ensure the batteries are installed in the correct orientation as indicated in the battery compartment.

## Smart Touch Controls On the Mirror

- ⏻ Press the button to power On/ Off
- 🎛️ Press the button to shift to different color tone options
- 🔊 Press the button to adjust the brightness levels
- 🔌 Disconnect the cabinet from any power source and reapply power after 10 seconds to reset