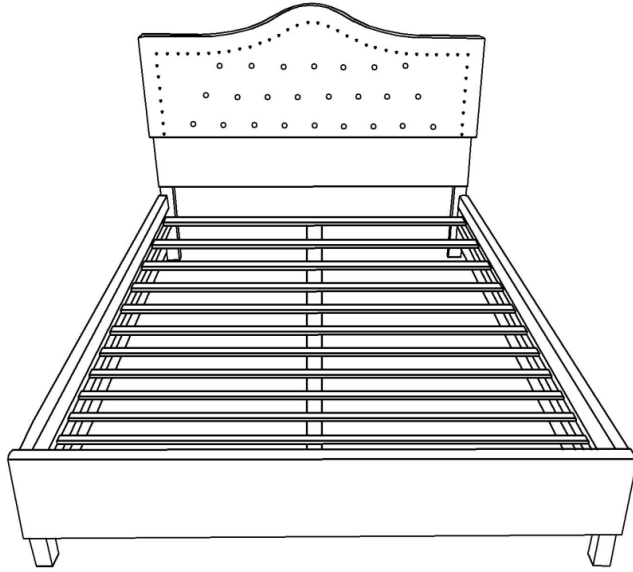


Assembly Instructions

Queen Size Bed

CAUTION: You must read this before you proceed.



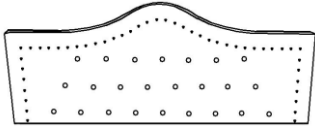
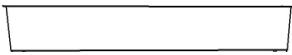

NOTE : This Bed is NOT a TOY.


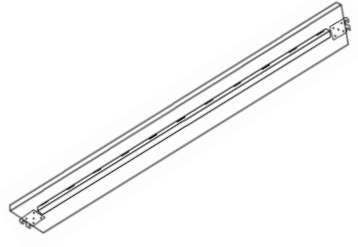

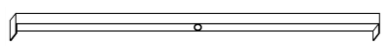

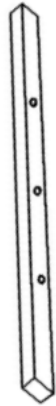
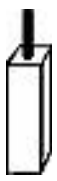
Keep your child / children at bay during the assembly process.


The BED is HEAVY.

To prevent injury to yourself or damage to the product a minimum of two adults are required whenever moving or lifting the product.

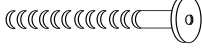








Parts List

No.	Picture	Description	Qty
A		Headboard	1
B		Headboard Panel	1
C		Headboard Left Foot	1

D		Headboard Right Foot	1
E		Side Panel	2
F		Footboard	1
G		Cross Slat With Mounting Position	2
H		Cross Slat Without Mounting Position	9
I		Vertical Slat	1
J		Support Foot for Vertical Slat	3

K		Footboard Foot	2
---	--	----------------	---

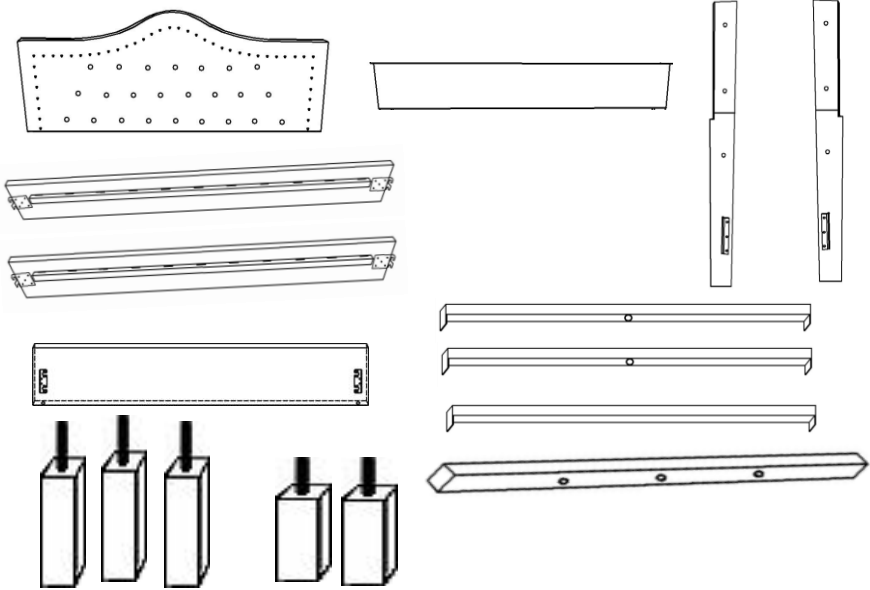
Hardware

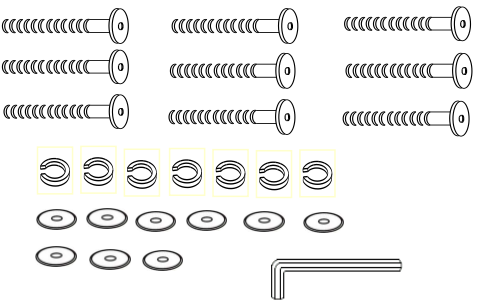
No.	Picture	Description	Qty
①		Bolt (M8x45mm)	9
②		Spring Washer	7
③		Washer	9
④		Allen Key	1
⑤		Screws (1.6cm Self Tapping)	2
⑥		Screws (5cm Self Tapping)	2
⑦		Metal Brackets	4
⑧		Restraint Strap	2
⑨		Screwdriver	Not Provided






Assembly Preparation

Before Beginning Assembly:

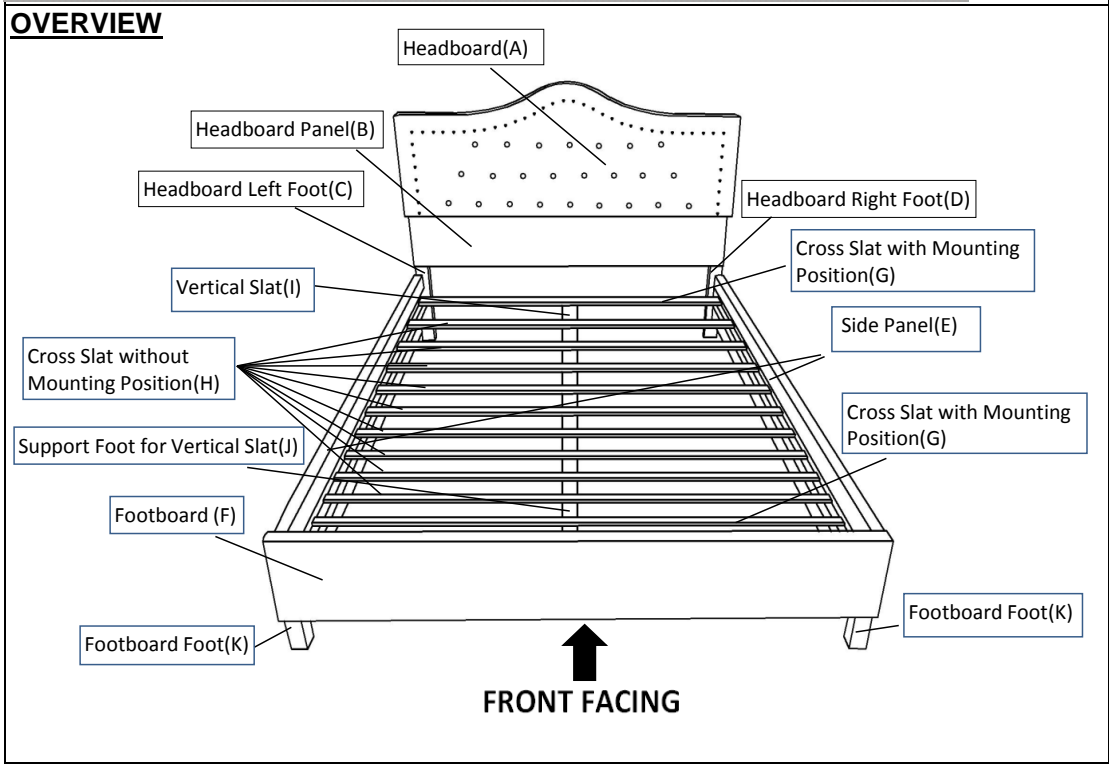
Unpack and place all parts for clear visibility.



<p>Pack A: Hardware for assembly of Bed. Comment: Have provided one more of bolt, washer, spring washer and screw.</p>	<p>Bolt(①) Spring Washer(②) Washer(③) Allen Key(④)</p>	
--	--	---

-  • Read instructions, cover to cover-
-  • Have 2 or 3 adults on hand for assembly-
-  • Do not assemble on flooring or carpet-
-  • Assemble on a clean non-marring surface (packing foam)-
-  • Save all packaging until finished-

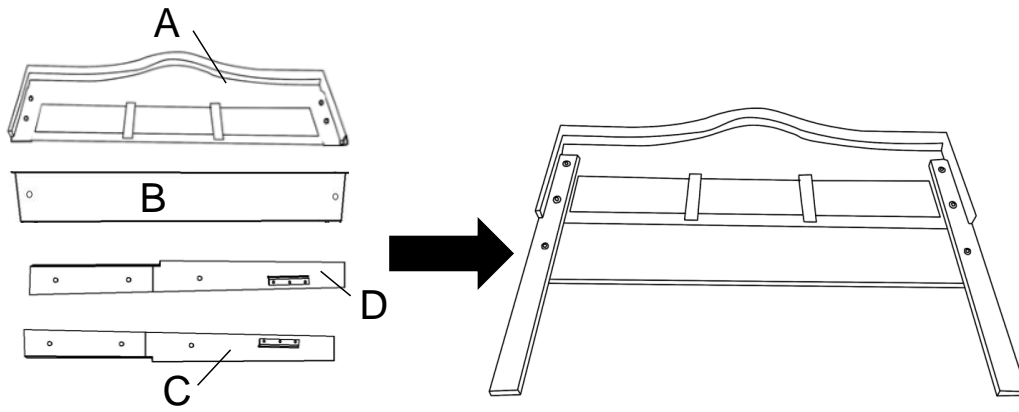
Assembly Steps



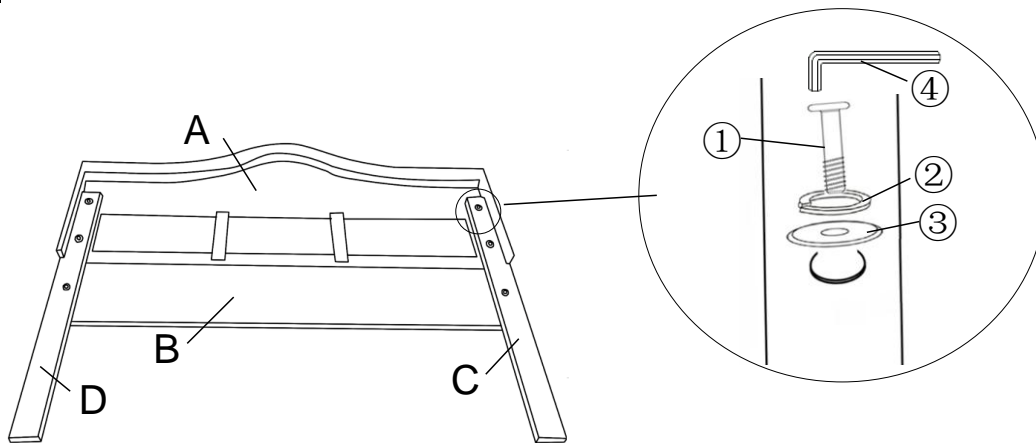
This Bed has multiple parts and may require up to 60 minutes to assemble. To give you an overview of the Bed parts, the above picture is to help you put the various Bed parts into perspective. Please read through the instructions below to familiarise yourself with the parts and steps before assembly.

Step 1

1.1



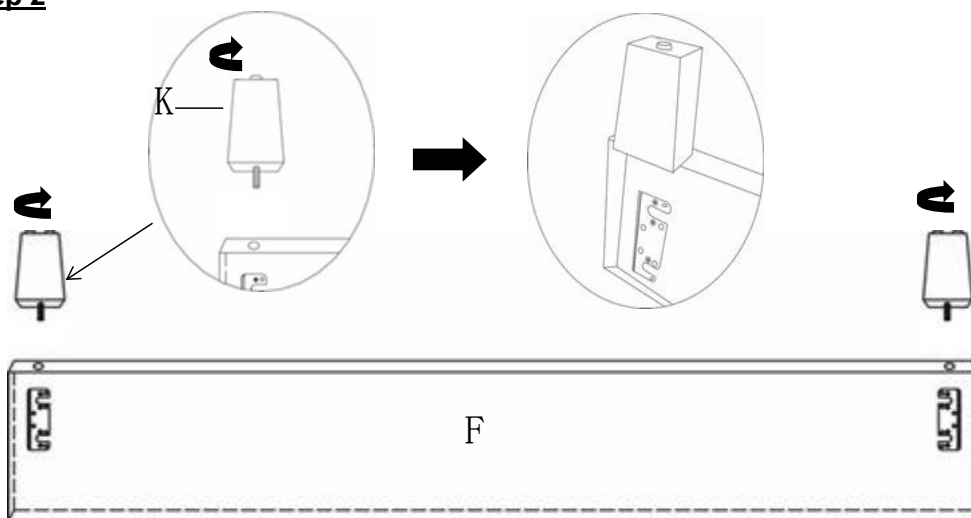
1.2



1.1 - Place the Headboard(A), Headboard Panel(B), Headboard Left Foot(C) and Headboard Right Foot(D) into the position as shown.

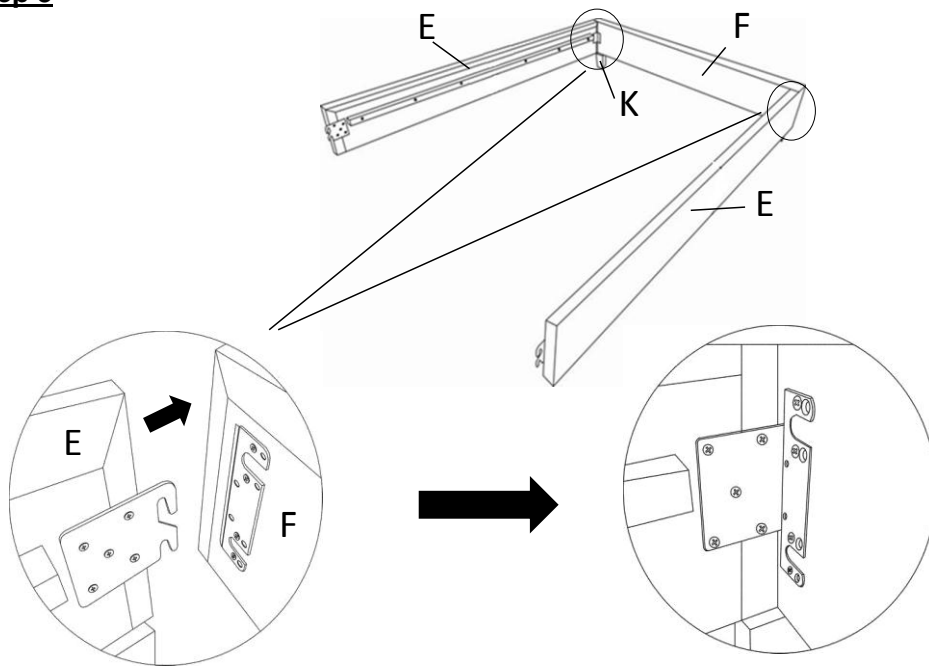
1.2 - Align the Headboard Left Foot(C) and Headboard Right Foot(D) onto the Headboard(A) and Headboard Panel(B) by using Bolts(①), Spring Washers(②), and Washers(③) with Allen Key(④). **First tighten the four Bolts on the Headboard(A), then tighten the Bolts on the Headboard Panel(B), in a sequential manner.**

Step 2



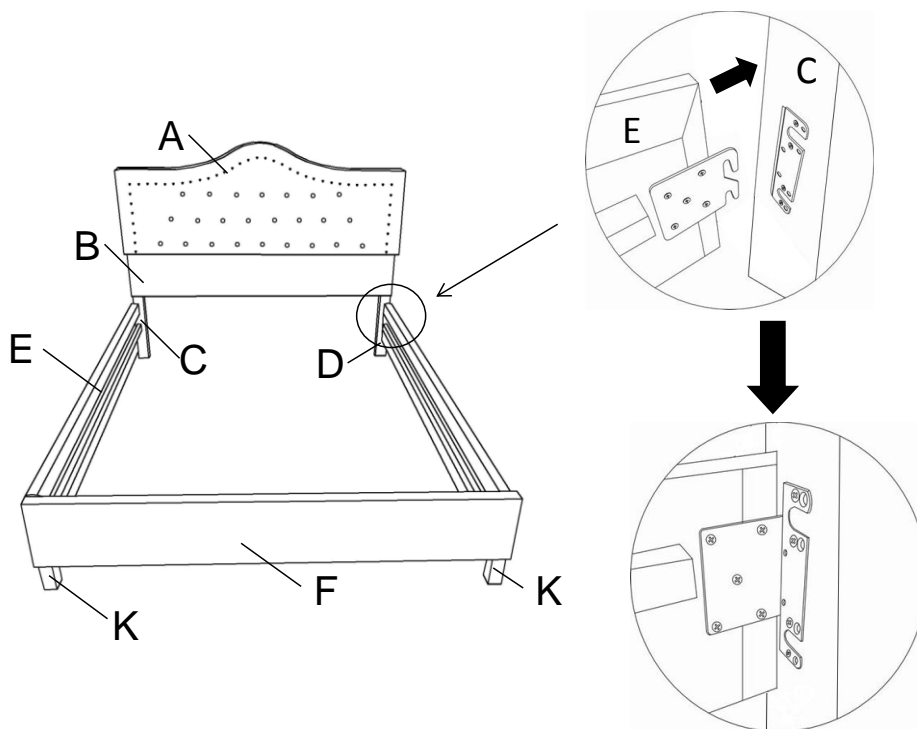
Attach Footboard Foot(K) to Footboard(F) by inserting the threaded stem of the Foot and turning clockwise until secure. The bulge from the Leg should face inside when finished.

Step 3



Attach Side Panel(E) to Footboard(F) by sliding the Metal Plates onto the Bolts as shown. **First insert the Metal Plate, then press it down lightly.** The side Panel(E) should be on the Footboard Foot(K).

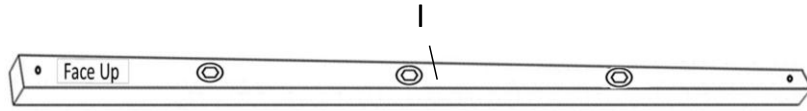
Step 4



Attach Side Panel(E) to Headboard Left Foot(C) and Headboard Right Foot(D) by sliding the iron plates onto the Bolts as shown.

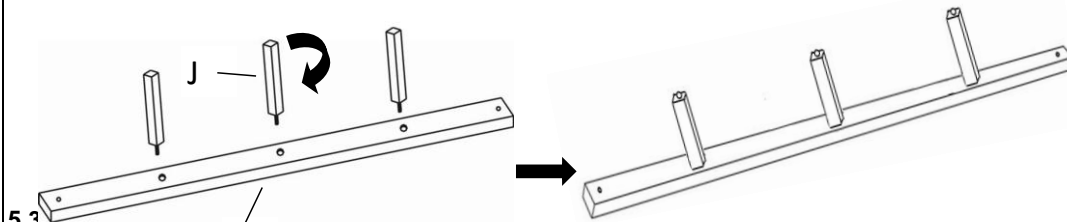
Step 5

5.1

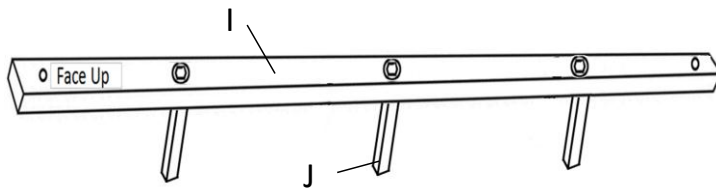


Labelled "Face Up"

5.2



5.3



Labelled "Face Up"

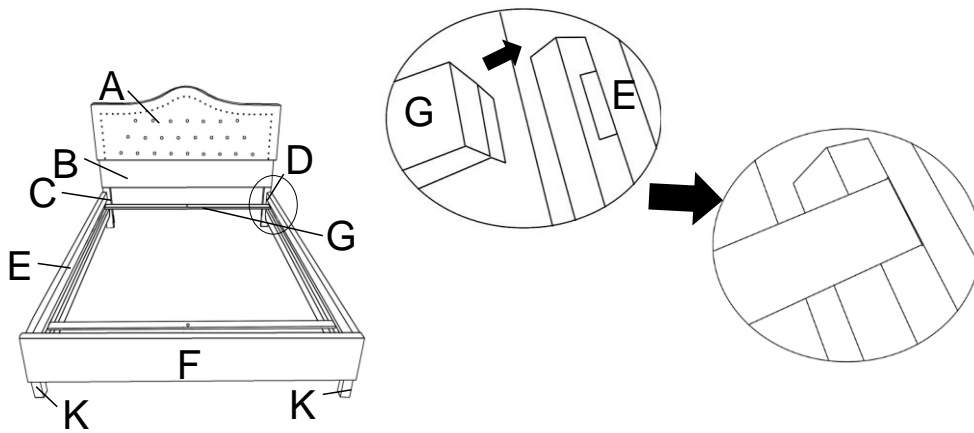
5.1 - Place the Vertical Slat(I) with "Face up" label down.

5.2 - Attach Support Foot for Vertical Slat(J) to the bottom of Vertical Slat(I) by inserting the threaded stem in the Foot and turning clockwise until secure.

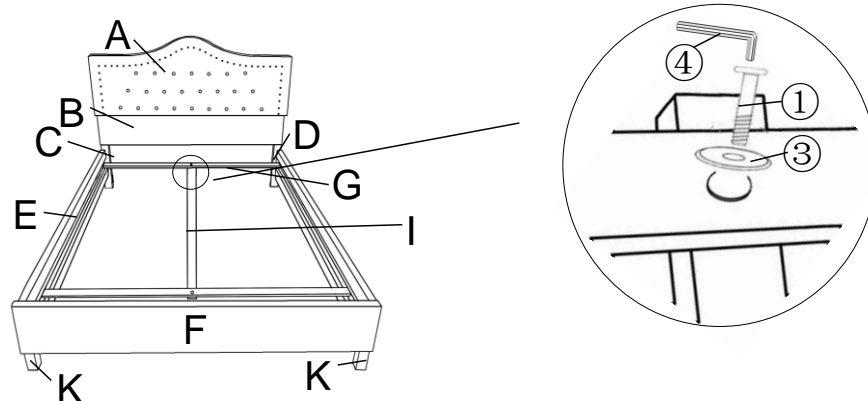
5.3 - Stand the Vertical Slat upright.

Step 6

6.1



6.2

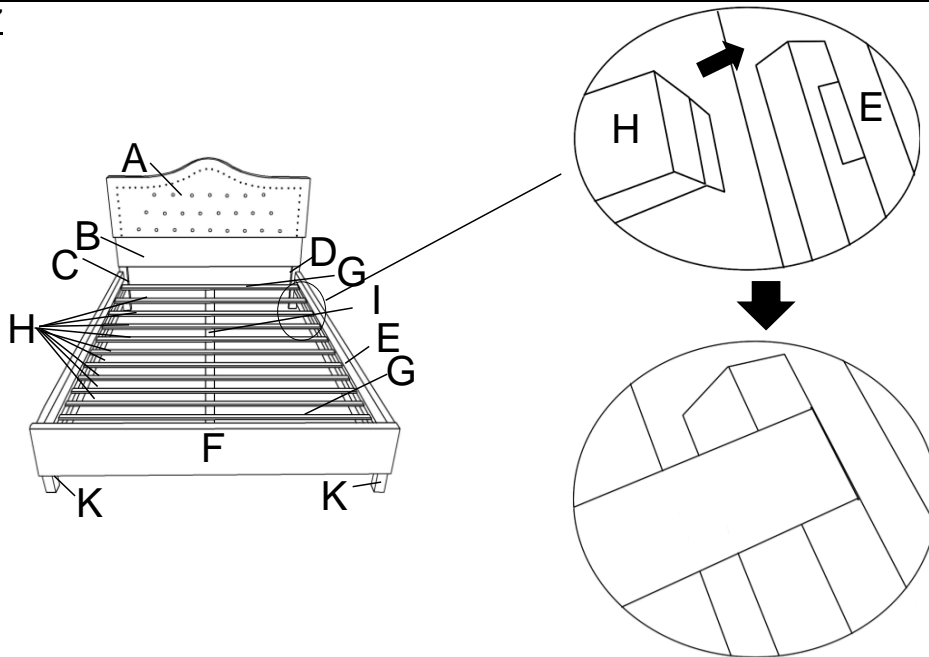


6.1 - Put the Cross Slats(G) into the grooves of the Side Rails(E).

6.2 - Attach Vertical Slat(I) to the bottom of Cross Slats(G) using Bolts(①) and Washers(③) with Allen Key(④).

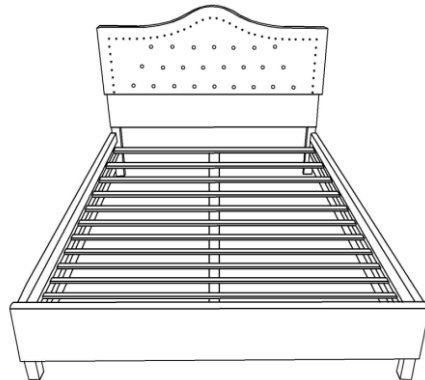
Tighten Bolts until fully secure in a sequential manner.

Step 7



Put the Cross Slats(H) into the grooves of the Side Rails(E).

Step 8



Ensure that all Bolts are secured at all joints.

Your Bed is ready for use.

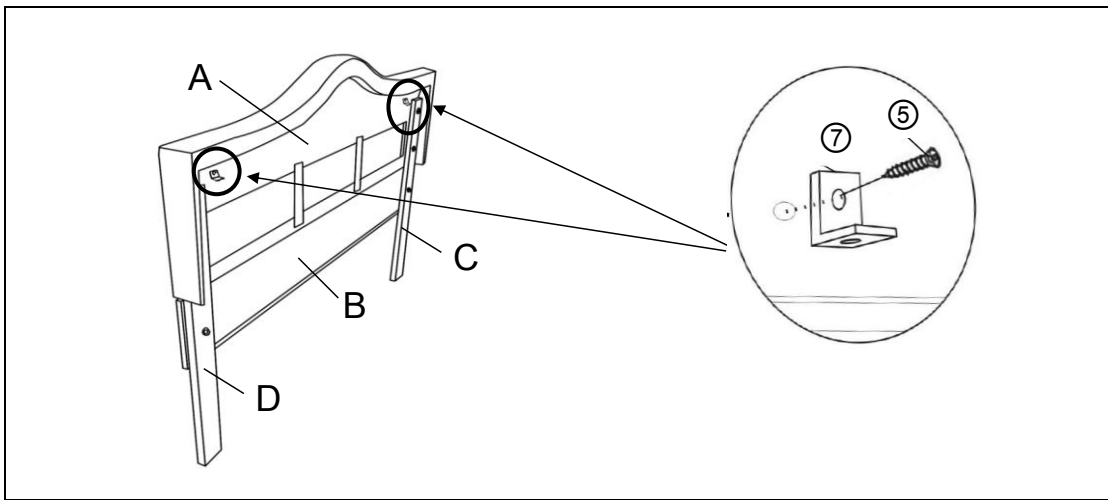
This Bed can only be used on a flat, level surface.



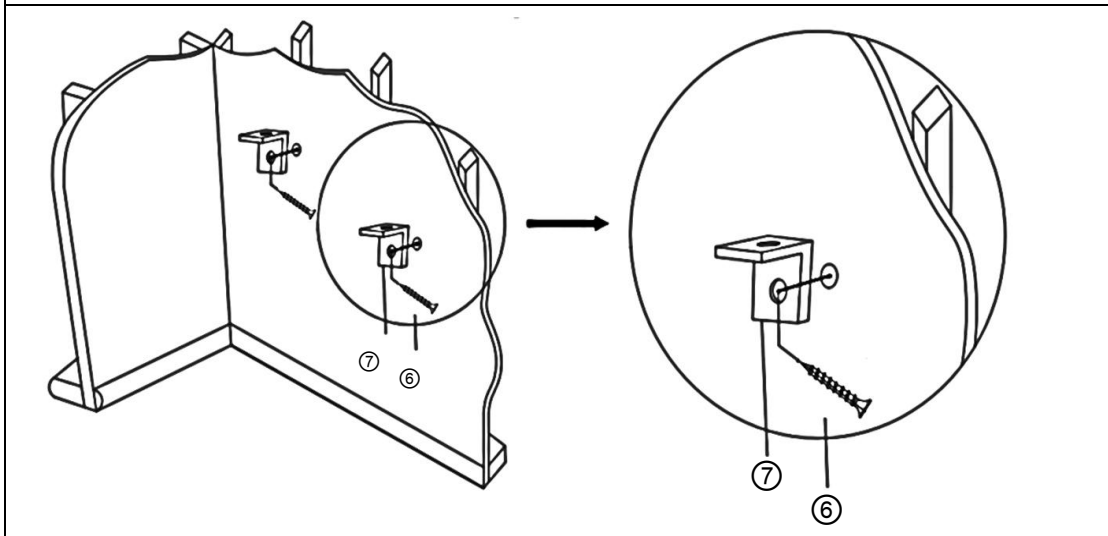
WARNING

Serious or fatal crushing injuries can occur from tipping furniture. To help prevent tip-over: ALWAYS secure this furniture to the wall using a Safety Restraint Device. See product instructions for more ways to help prevent furniture tip-over.

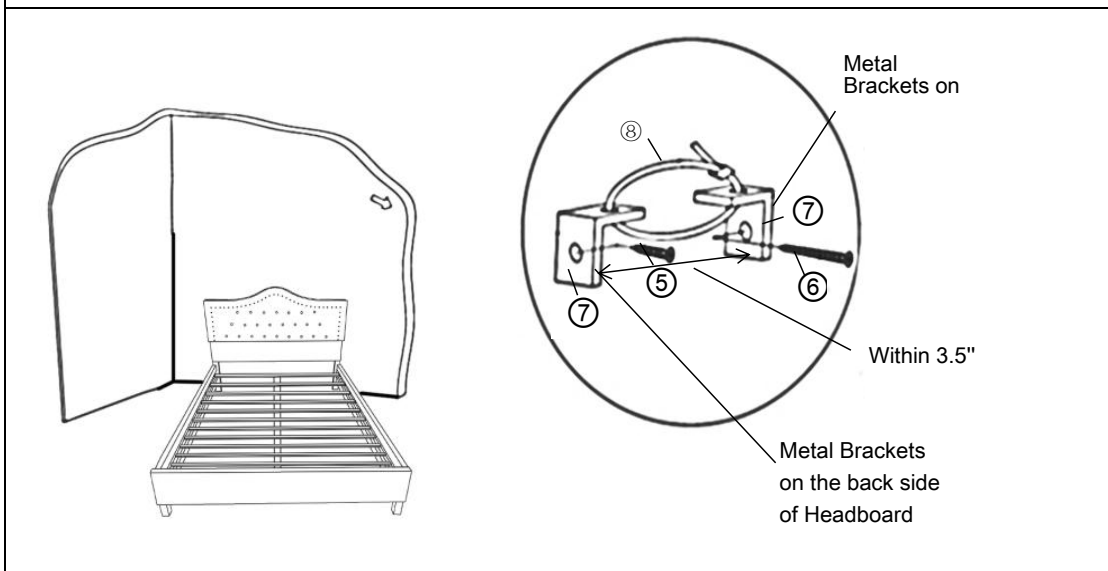
Headboard Restraint Device Installation Instruction



Firstly, turn back the Headboard.
 Find the two marks on the product. Then, Attach the Metal Brackets(7) to the back of Headboard(A) using Screws(5) with Screwdriver(9) as shown above.
 Make sure two parts are connected and securely locked onto Headboard.



Put the Headboard against the wall where desired and mark the location for the Metal Brackets(7) to be the same height as the top of the Headboard.
 Attach Metal Bracket(7) to the wall where you marked using Screws(6) with Screwdriver(9).
 Repeat this process with the other Metal Bracket(7).
 Note: The Metal Brackets need to be secured to solid, load bearing surface. Please use a Stud Finder(not supplied) if needed to locate the Wall Frame.



Move the Headboard back against wall.





















Pull the Restraint Straps(⑧) through the Metal Brackets(⑦) on the wall and Headboard(A) one by one, and pull the Restraint Straps(⑧) tight.

Note: 2pcs of Restraint Straps(⑧) for each side.

Headboard Restraint Device is installed and Headboard is ready for use.

The strap between Headboard and Metal Brackets on wall should be within 3.5".

Care & Maintenance

-   • Do not put hot items directly on furniture surface
 -   • Do not clean furniture with harsh cleansers or polish.
 -   • Do not place furniture under direct sunlight.
 -   • Do not place furniture near heating or cooling vents.
 -   • Do not write on furniture without a padded barrier to protect the surface.
 -   • Do not place furniture outside . For indoor use only .
 -   • Not for commercial use. For residential use only .
 -   • Stains may be removed with mild soap solution and damp cloth.
 -   • Children should not climb or jump on the furniture.
-
-   • Dust and pick-up spills using a clean, non-colored, lint-free cloth .

What is Proposition 65?

Proposition 65 is a California law that requires warning labels on products that may contain one of more than 800-plus chemicals or ingredients that the California Office of Environmental Health Hazard Assessment (OEHHA) has deemed to cause cancer or other reproductive toxicity. Chemicals and elements on this list include wood dust, brass, and other everyday substances, which can be found in very common household items, such as: lamps, tableware, jewelry, crystal glasses, electric cords, beauty products, automobiles, and furniture.

Why Did I Find a Proposition 65 Warning on My Home Goods Product?

We include Proposition 65 warnings on all of our products because there is always a chance that one of the 800-plus common chemicals and ingredients listed under this law could potentially be on our furniture or packing materials. We risk large fines under this law, if we don't include this warning.

Should I worry?

We realize you may be worried finding this warning on our products, but we want to reassure you that the hazardous exposure limits for any of these chemicals have never been found on furniture products that we've shipped to our customers. Additionally, this warning label is very common and can be found on almost every piece of furniture sold in the state of California.

Just How Common Are Proposition 65 Warnings?

Proposition 65 warnings have become so common in California that it is hard to take a trip to a local bank, grocery store, or restaurant without finding at least one warning. In fact, even the Disney Land Resort has a Proposition 65 warning:

