



USER MANUAL

Please carefully check the unit and make sure there is no damage when you open the carton.

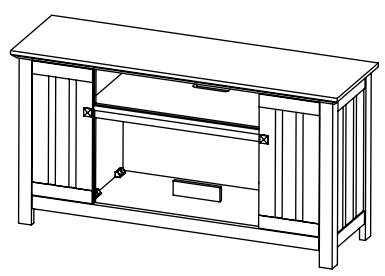
**QUESTIONS, PROBLEMS, OR MISSING PARTS?
Please Contact Customer Service Before Returning to Store**

Keep this manual for future reference

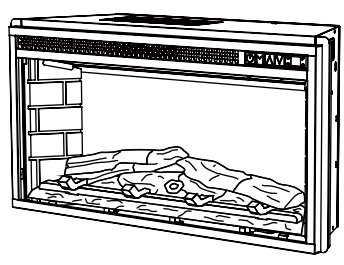
Table of Contents //

- **GENERAL INFORMATION**
 - Package Contents _____ 2
 - Safety Instructions _____ 3
 - Warranty _____ 4
- **ASSEMBLY INSTRUCTIONS**
 - Preparation _____ 5
 - Assembly _____ 7
- **FIREBOX OPERATIONS**
 - FCC/IC Information _____ 15
 - Safety Information _____ 16
 - Operating Instructions _____ 17
 - Care And Maintenance _____ 18
 - Troubleshooting _____ 19

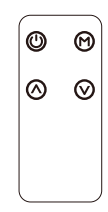
Package Contents //



Fireplace Mantel



Firebox



Remote Control

Safety Instructions

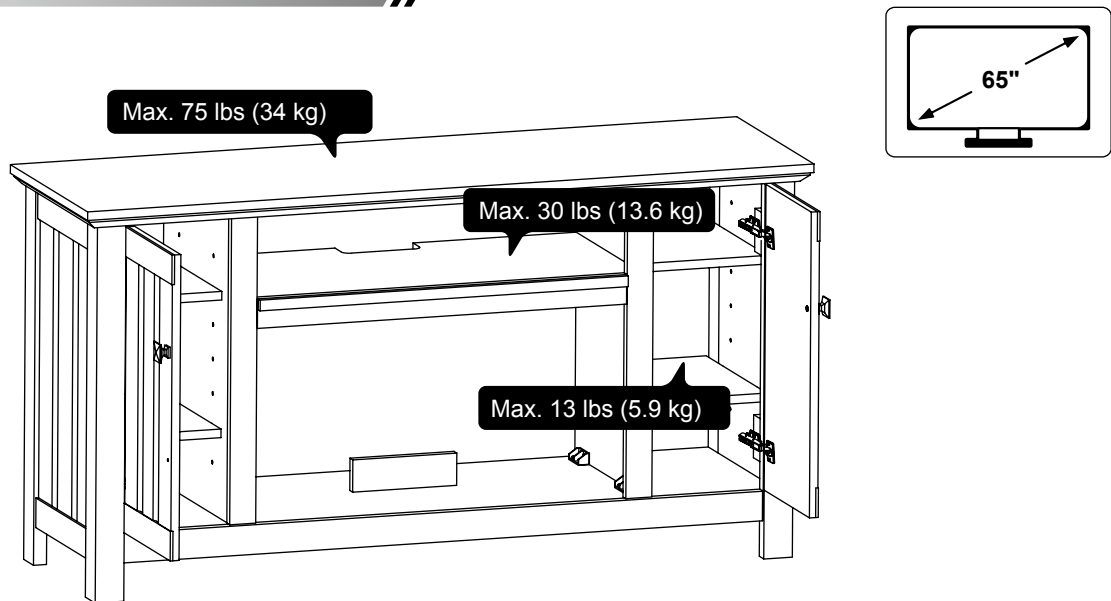
Please read and understand this entire manual before attempting to assemble, operate or install the product.

IMPORTANT NOTICE

When using electrical appliances, basic precautions should always be followed to reduce the risk of fire, electric shock and injury to persons, including the following:

- ⚠ **WARNING:** Place this unit in a location that avoids direct sunlight and high temperatures.
- ⚠ **WARNING:** Plastic bags, nails, etc. should be kept out of reach of children.
- ⚠ **WARNING:** This appliance is hot when in use. To avoid burns, DO NOT let bare skin touch hot surfaces. Keep combustible material, such as furniture, pillows, bedding, papers, clothes and curtains, at least 3 feet from the front of the heater and keep them away from the side and rear.
- ⚠ **WARNING:** Extreme caution is necessary when any heater is used by or near children or individuals with disabilities and whenever the fireplace is left operating and unattended.
- ⚠ **WARNING:** DO NOT run cord under carpeting. DO NOT cover cord with throw rugs, runners, or similar covering. Do not route cord under furniture or appliances. Arrange cord away from traffic areas and where it will not be tripped over.
- ⚠ **WARNING:** DO NOT insert or allow foreign objects to enter any ventilation or exhaust opening as this may cause an electric shock or fire, or damage the appliance.
- ⚠ **WARNING:** This appliance has hot and arcing or sparking parts inside. DO NOT use it in areas where gasoline, paint or flammable vapors or liquids are used or stored. This fireplace should not be used as a drying rack for clothing. Christmas stockings or decorations should not be hung in the area of it.

Maximum Load Warning



- ⚠ **CAUTION:** This unit is intended for use only with the products and maximum weights indicated. Use with other products or products heavier than the maximum weights indicated may result in instability causing possible injury.
- ⚠ **NOTE:** Flat panel TVs with base support should be placed squarely in the center of the stand with no overhang on any side.

Warranty



1-YEAR LIMITED WARRANTY

We warrant that your new Electric Fireplace is free from manufacturing and materials defects for a period of one (1) year from date of purchase. Subject to the following conditions and limitations:

1. The electric fireplace must be installed and operated at all times in accordance with the installation and operating instructions furnished with the product. Any unauthorized repair, alteration, willful abuse, accident, or misuse of the product shall nullify this warranty.
2. This warranty is non-transferable, and is made to the original owner, provided that the purchase was made through an authorized supplier of the Company.
3. The warranty is limited to the repair or replacement of part(s) found to be defective in material or workmanship – provided that such part(s) have been subjected to normal conditions of use and service – after said defect is confirmed by the Company's inspection. All replacement parts or products will be new, remanufactured, or refurbished.
4. The Company may, at its discretion, require that any defective part(s) be returned in exchange for the replacement part(s).
5. The Company may, at its discretion, fully discharge all obligations with respect to this warranty by refunding the wholesale price of the defective part(s).
6. This warranty does not cover the LED light bar included with the electric fireplace.
7. Any installation, labor, construction, transportation, or other related costs/expenses arising from defective part(s), repair, replacement, or otherwise of same, will not be covered by this warranty, nor shall the Company assume responsibility for the same.
8. The owner/user assumes all other risks – if any – including but not limited to the risk of any direct, indirect or consequential loss or damage arising out of the use, or inability to use the product, except as provided by law.
9. All other warranties – express or implied – with respect to the unit, its components and accessories, or any obligations/liabilities on the part of the Company are hereby expressly excluded.
10. The Company neither assumes, nor authorizes any third party to assume on its behalf, any other liabilities with respect to the sale of the unit.
11. The warranties as outlined within this document do not apply to non-accessories used in conjunction with the installation of this product.
12. This warranty gives you specific legal rights, and you may also have other rights which vary from state to state.

This warranty is void if:

- (a) The fireplace is subjected to prolonged periods of dampness or condensation.
- (b) Any unauthorized alteration, willful abuse, accident, or misuse of the product.
- (c) You do not have the original purchase receipt.

IF WARRANTY SERVICE IS NEEDED Please Contact Customer Service



Make sure you have the following information ready:

- Warranty
- Sales Receipt
- Product Model/Serial Number
- Date of Purchase
- Location of Purchase

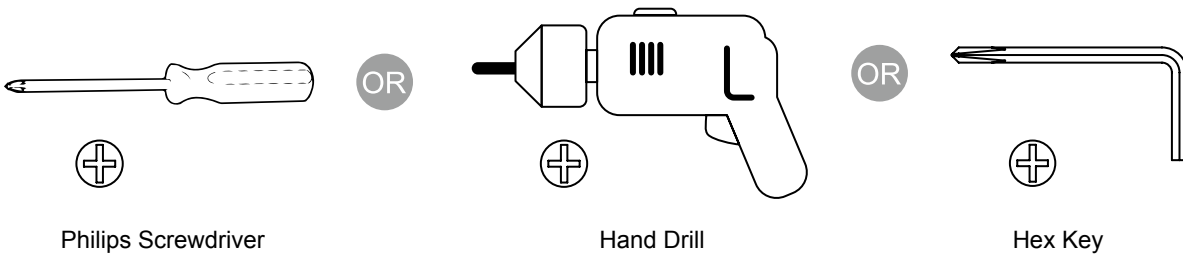
Preparation



⚠ IMPORTANT INFORMATION

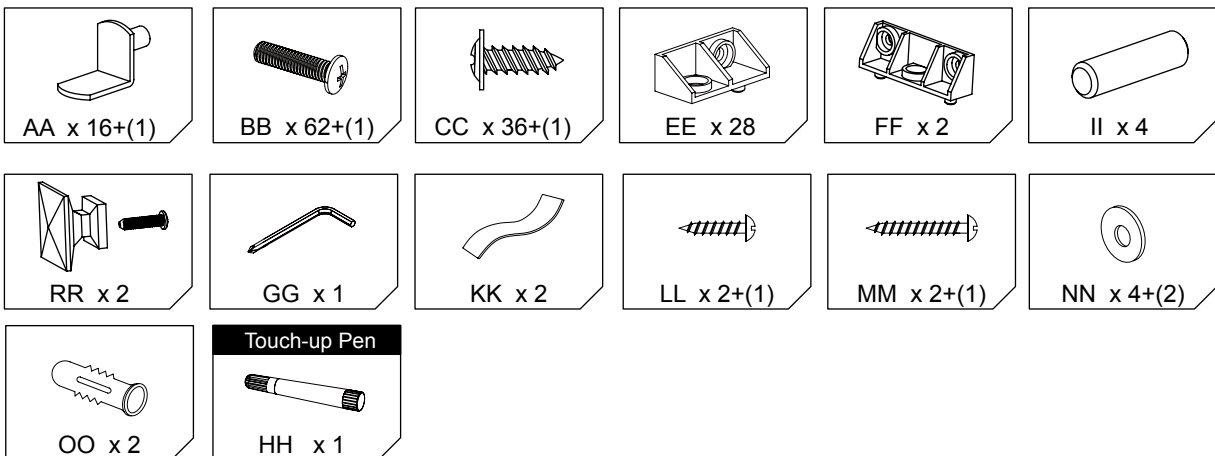
1. Before you begin, locate the instructions and hardware. Be sure you have all of the parts and can identify them.
2. To avoid scratching the finish, assemble the product on a soft, non-abrasive surface such as carpet or cardboard.
3. Assembly of this product may require more than one person.

Tools Required



Hardware Identification

Number of spare hardware is indicated in ().



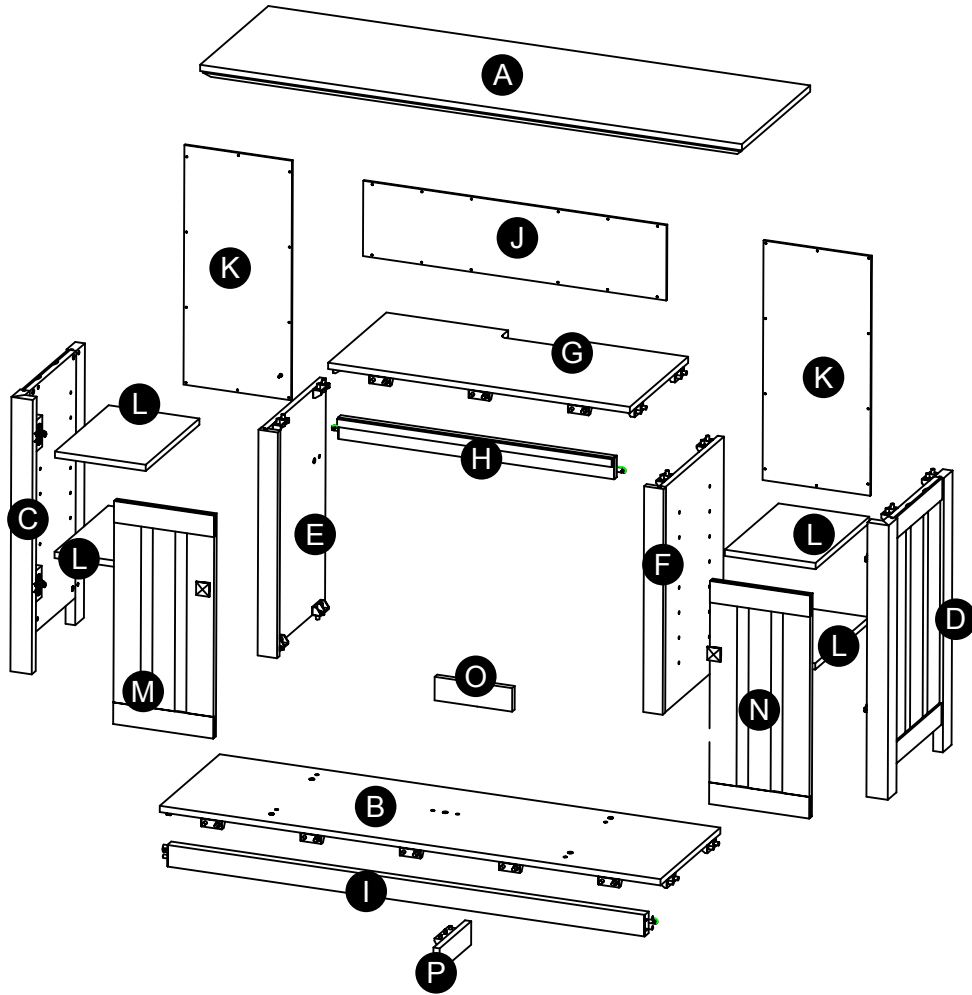
Use the Touch-up Pen to cover surface scratches.

⚠ WARNING: The included plastic wall anchors (OO) are intended for use with solid wall applications only (tile and concrete). DO NOT USE WITH DRYWALL OR OTHER HOLLOW WALL APPLICATIONS.

Preparation



Parts List



A	x 1
B	x 1
C	x 1
D	x 1
E	x 1
F	x 1
G	x 1
H	x 1

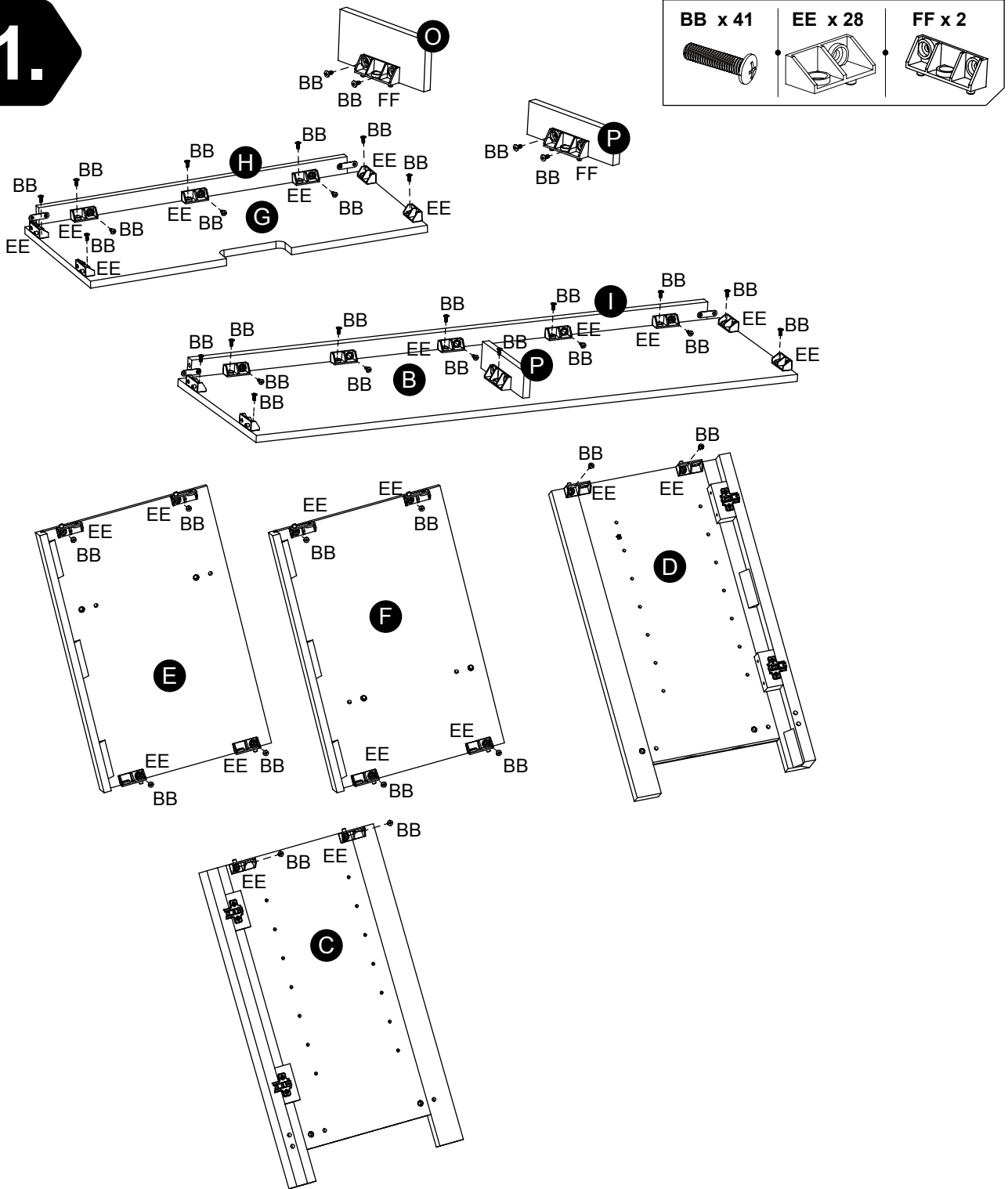
I	x 1
J	x 1
K	x 2
L	x 4
M	x 1
N	x 1
O	x 1
P	x 1

Assembly



Do not fully tighten screws during assembly. Only tighten when all parts are installed in place.

1.

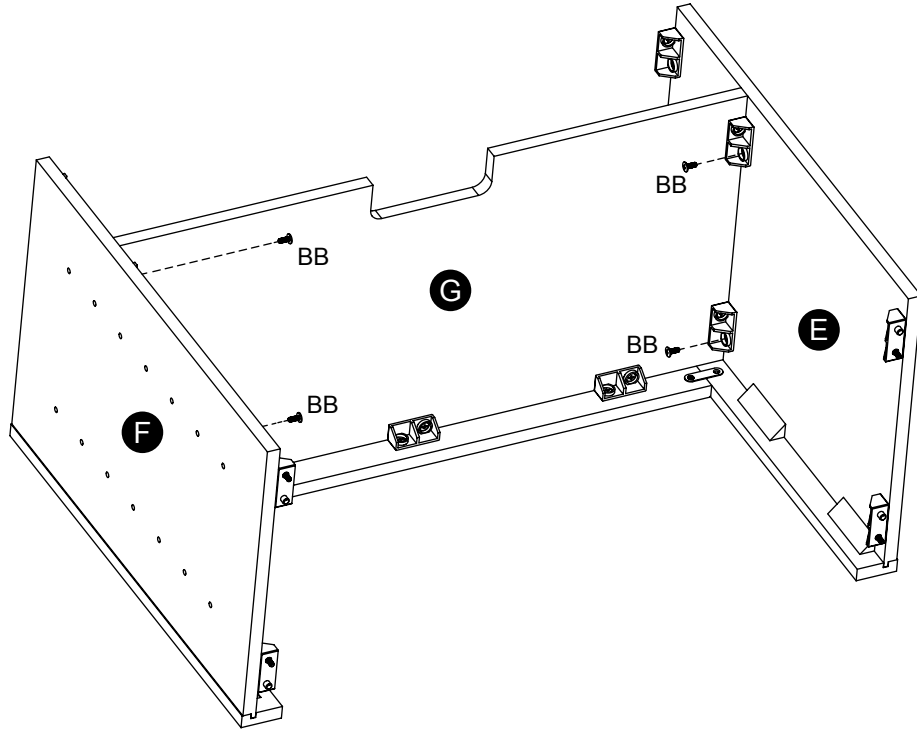


Assembly



Do not fully tighten screws during assembly. Only tighten when all parts are installed in place.

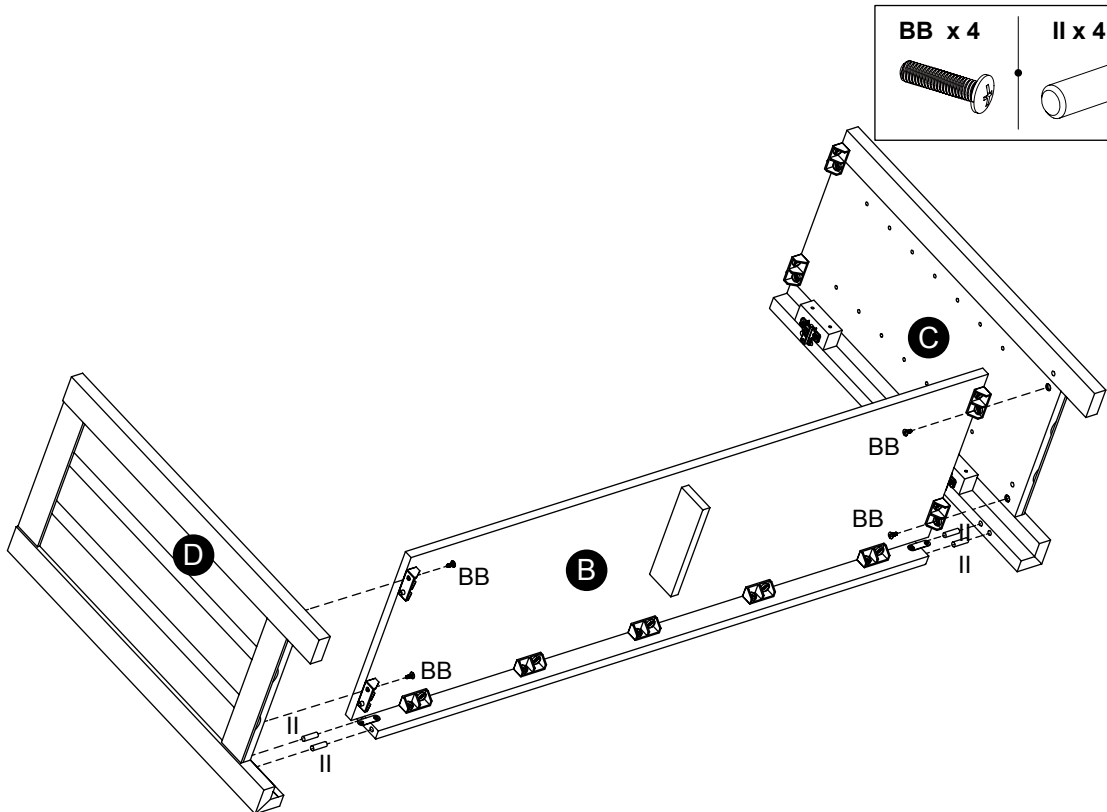
2.



BB x 4

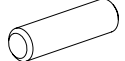


3.



BB x 4

II x 4

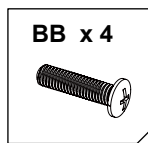
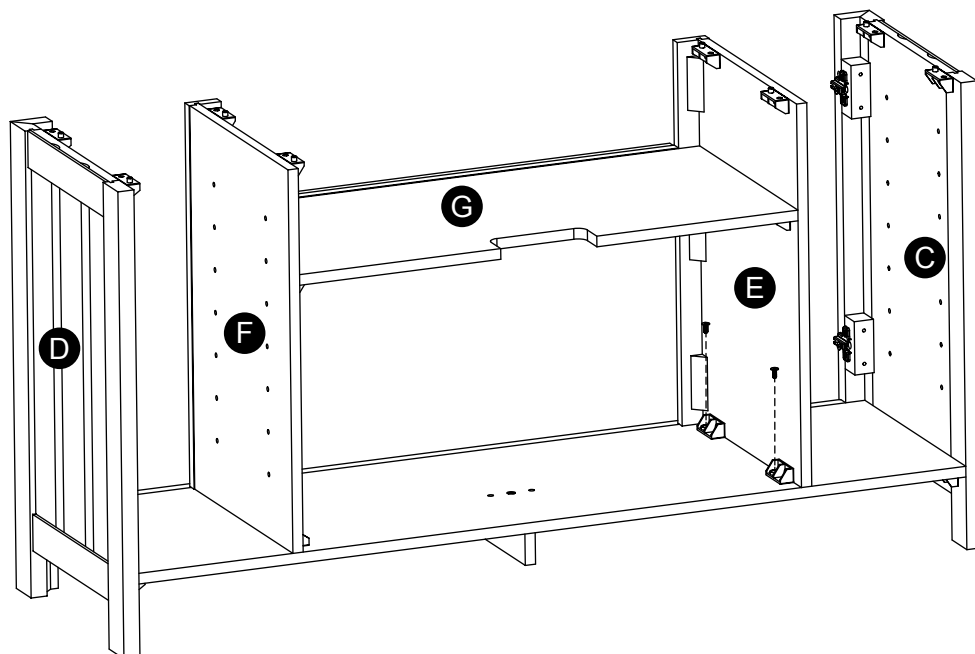


Assembly

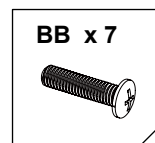
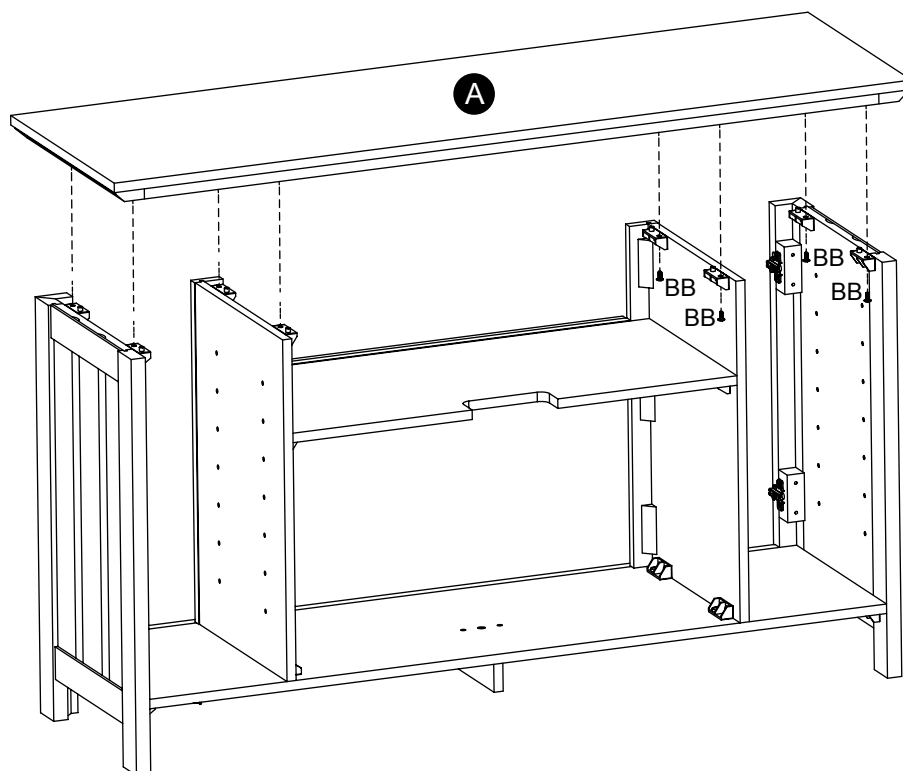


Do not fully tighten screws during assembly. Only tighten when all parts are installed in place.

4.



5.



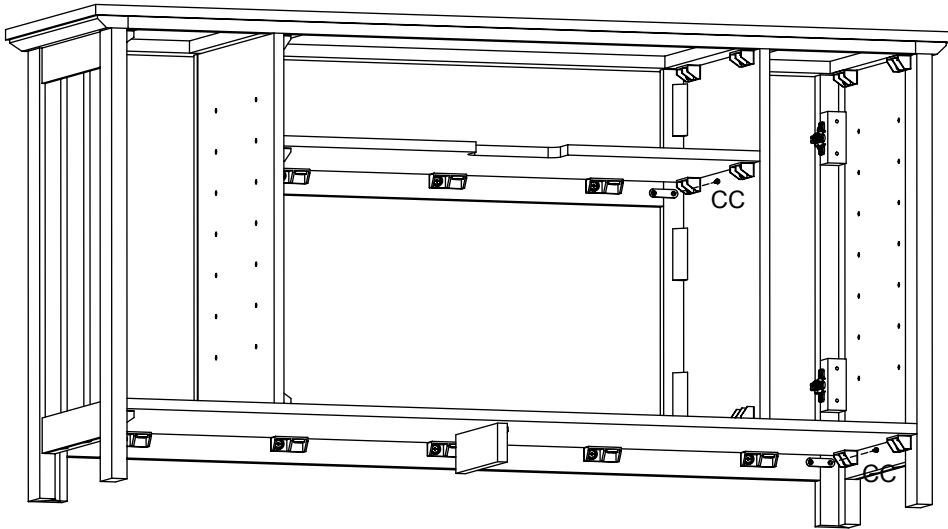
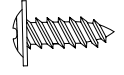
Assembly



Do not fully tighten screws during assembly. Only tighten when all parts are installed in place.

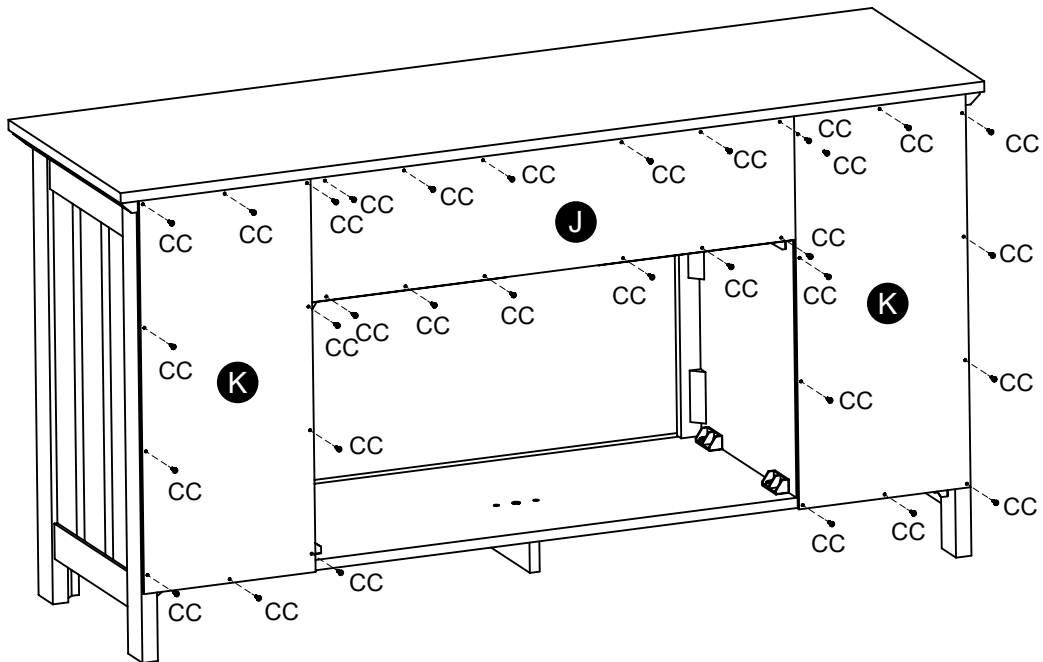
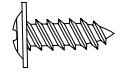
6.

CC x 4



7.

CC x 32

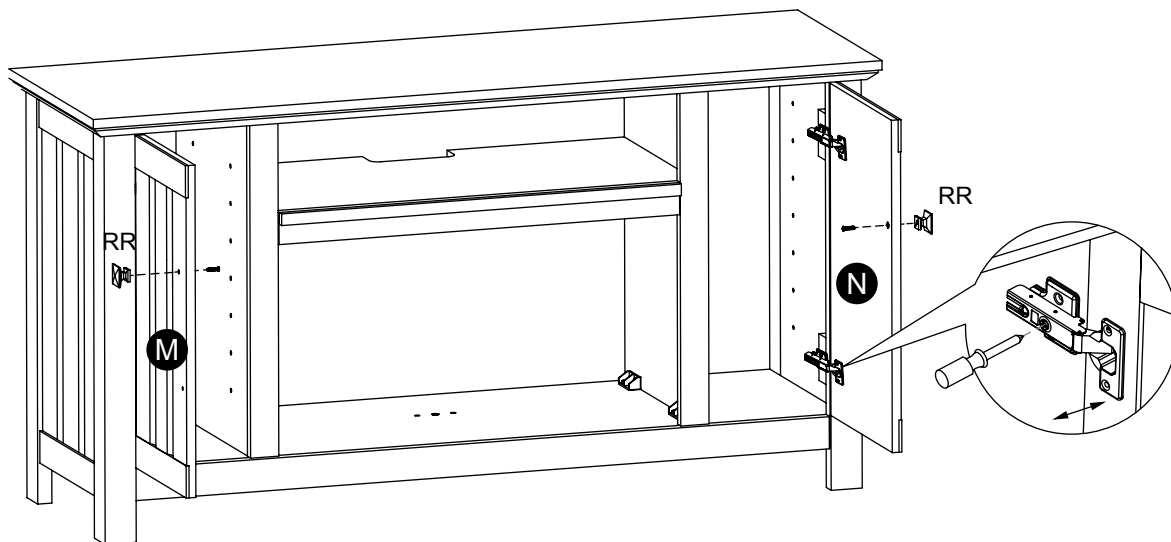
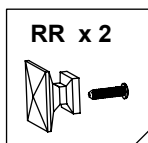


Assembly

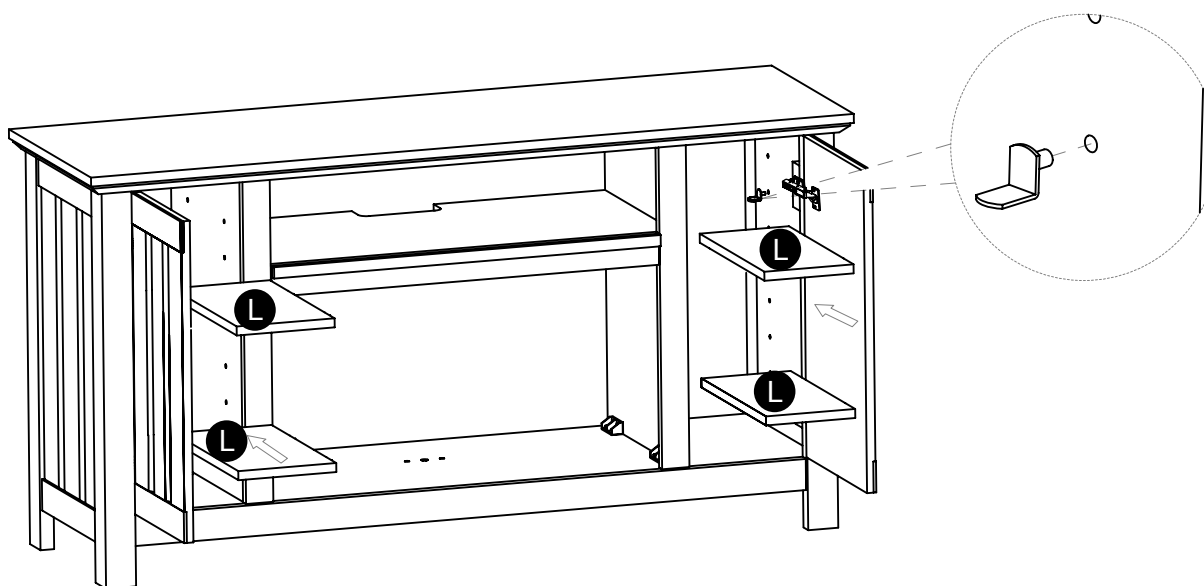
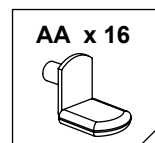


Do not fully tighten screws during assembly. Only tighten when all parts are installed in place.

8.



9.

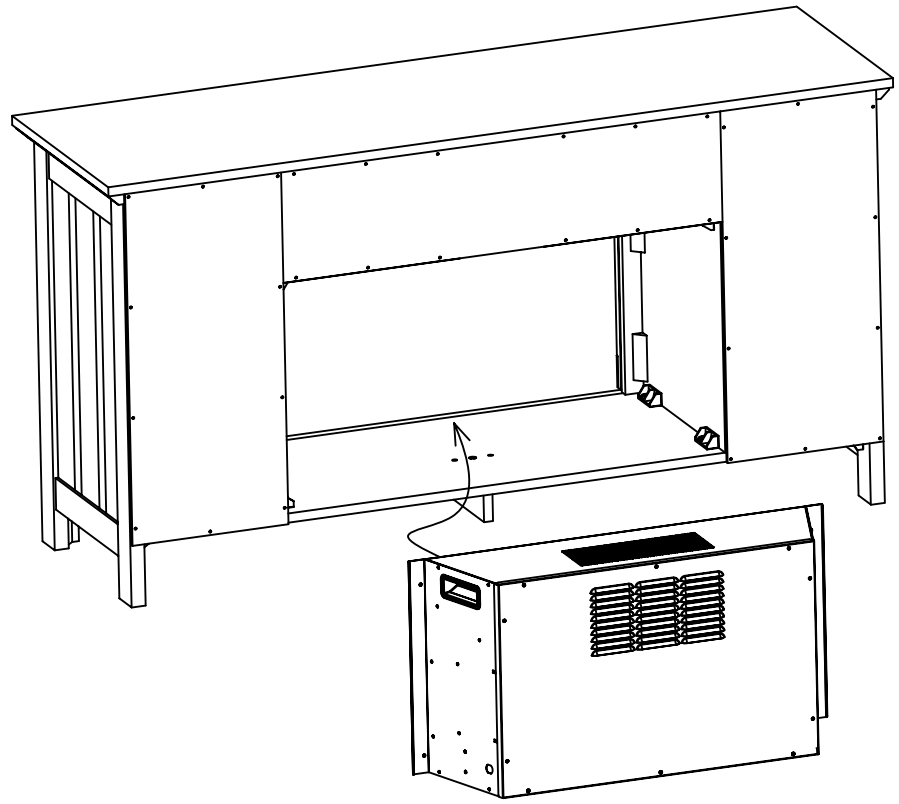


Assembly



Do not fully tighten screws during assembly. Only tighten when all parts are installed in place.

10.



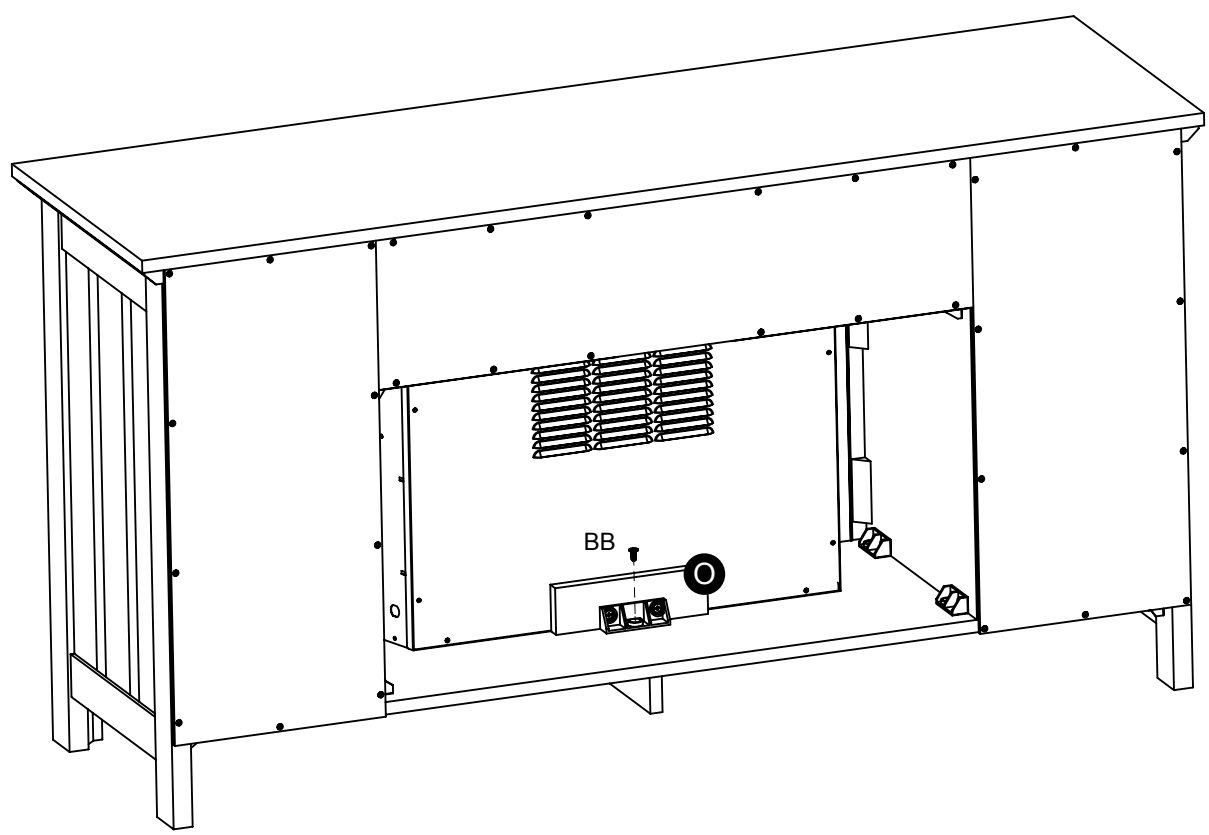
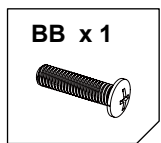
ASSEMBLY INSTRUCTIONS

Assembly



Do not fully tighten screws during assembly. Only tighten when all parts are installed in place.

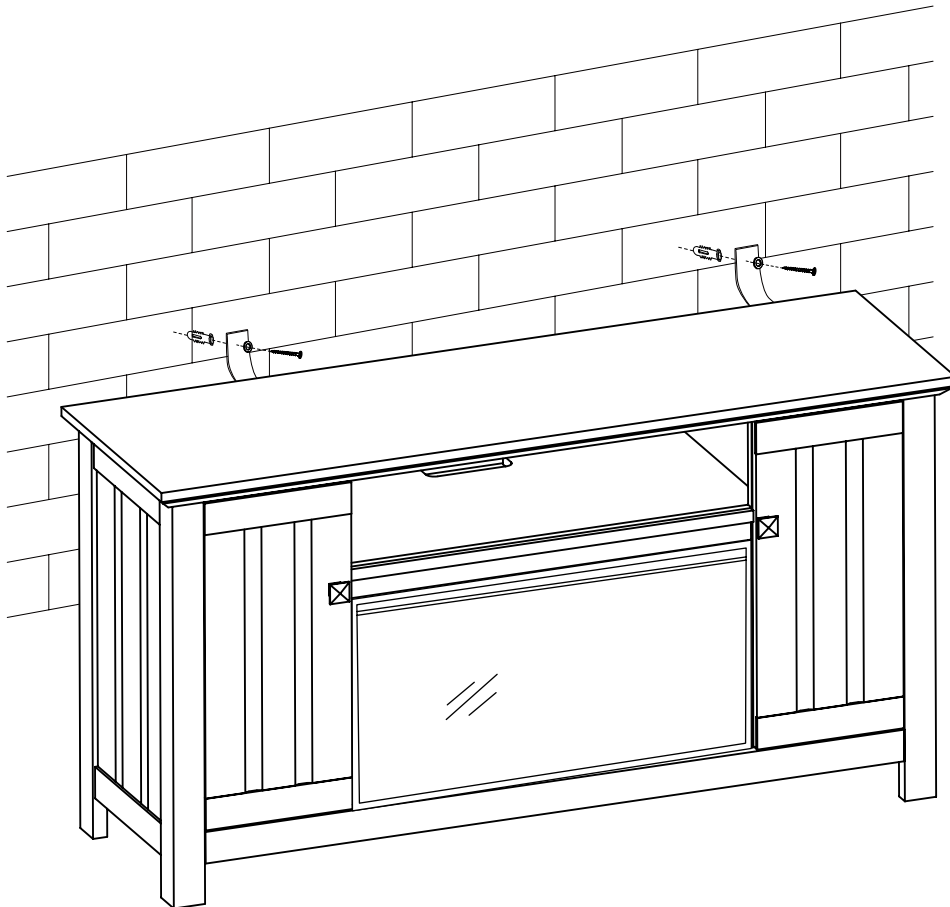
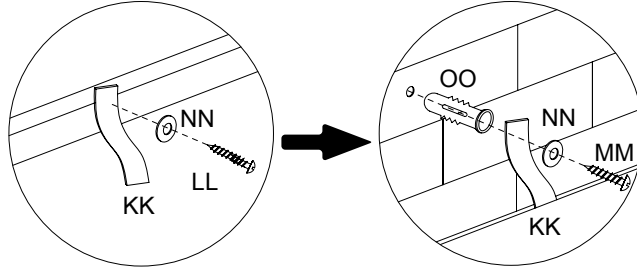
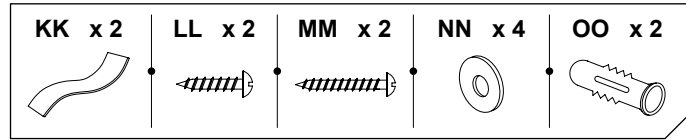
11.



Assembly



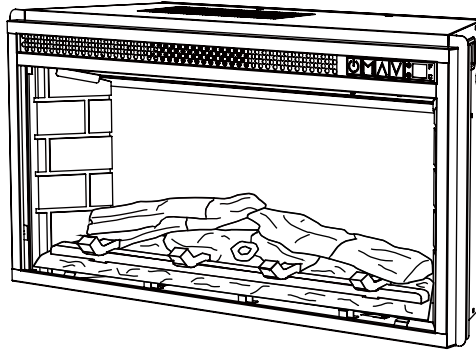
Do not fully tighten screws during assembly. Only tighten when all parts are installed in place.



WARNING:

- If installing the mantel on drywall or other hollow wall applications, the safety mounting tape (KK) must be fastened to studs, headers, or other structural wall members. The included plastic wall anchors (OO) are intended for use with solid wall applications only (tile or concrete).
- DO NOT USE WITH DRYWALL OR OTHER HOLLOW WALL APPLICATIONS.

Firebox Model



ATTENTION:

- Find a location for the firebox that is protected from direct sunlight.
- Failure to read all instructions may result in a possible electric shock, fire hazard and/or injury and will void the warranty.



WARNING:

- If the information in this manual is not followed exactly, an electric shock or fire may result causing property damage, personal injury or loss of life.
- Do not store or use gasoline or other flammable vapors or liquids in the vicinity of this appliance.

FCC / IC Information



This equipment has been tested and found to comply with the limits for Class B digital devices, pursuant to part 15 of the FCC rules. These limits are designed to provide reasonable protection against harmful interference in a residential installation. The equipment generates, uses and can radiate radio frequency energy and, if not installed and used in accordance with the instructions, may cause harmful interference to radio or television reception, which can be determined by turning the equipment off and on. The user is encouraged to try and correct the interference by one or more of the following measures:

- (a) Reorient or relocate the receiving antenna
- (b) Increase the separation between the equipment and the receiver
- (c) Connect the equipment into an outlet on a circuit different from that to which the receiver is connected.
- (d) Consult the dealer or an experienced radio/TV technician for help.

This device complies with Part 15 of the FCC rules. Operation is subject to the following two conditions:

- (a) This device may not cause harmful interference, and
- (b) This device must accept any interference received, including interference that may cause undesired operation.

Modifications not approved by the party responsible for compliance could void user's authority to operate the equipment.

This Class B digital apparatus complies with Canadian ICES-003.

Safety Information



Use this firebox only as described in the manual. Any other use is NOT recommended by the manufacturer and may cause fire, electric shock or injury to persons.

CAUTION:

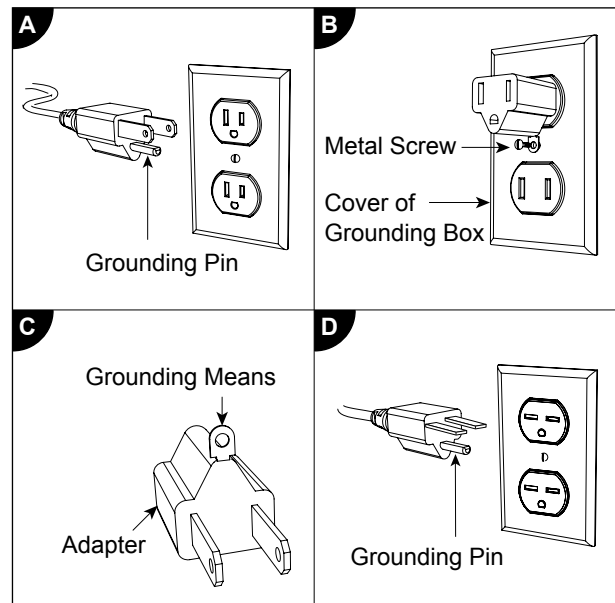
- If possible, ALWAYS unplug this firebox when not in use.
- DO NOT operate any firebox with a damaged cord or plug or after the heater malfunctions.
- DO NOT operate any firebox if it has been dropped or damaged in any manner. Disconnect power at service panel and have firebox inspected by a reputable electrician before reusing.
- Any repairs to this unit should be carried out by appropriately qualified service personnel.
- Under no circumstances should this unit be modified. Parts having to be removed for servicing must be replaced prior to operating this unit again.
- DO NOT use outdoors.
- This unit is not intended for use in bathrooms, laundry areas and similar indoor locations. NEVER place heater where it may fall into a bathtub or other water container.
- To disconnect this unit, turn all controls to the OFF position, then remove plug from outlet.
- ONLY connect to properly grounded outlets.
- This appliance, when installed, must be electrically grounded in accordance with local codes, with the current CSA C22.1 Canadian Electrical Code or, for USA installations, follow the National Electrical Code, ANSI/NFPA NO.70.
- To prevent a possible fire, DO NOT block any air intakes or exhaust in any manner. DO NOT use on soft surfaces, like a bed, where opening may become blocked.
- ALWAYS plug this unit directly into a wall outlet/receptacle. NEVER use with an extension cord or relocatable power tap (outlet/power strip).
- This heater includes an automatic protection system that will shut off the unit to prevent overheating. If the unit is at risk of overheating, the front panel will display "E1" and a thermal cut out will shut off the heater to prevent damage or risk of fire.
- DO NOT slide firebox on top of wood to avoid scratching wood surface.
- DO NOT place any objects on top of firebox and top air intake vents as this will cause the unit to overheat and can cause a fire.

ELECTRICAL CONNECTION:

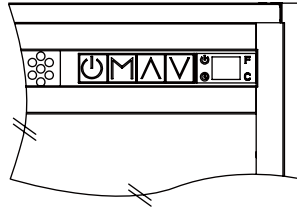
- A 15-amp, 120-volt, 60 Hz circuit with a properly grounded outlet is required. Preferably, the fireplace will be on a dedicated circuit as other appliances on the same circuit may cause the circuit breaker to trip or the fuse to blow when the heater is in operation. The unit comes standard with 6-ft. three-wire cord, exiting from the rear of the fireplace. DO NOT exceed the current rating of the current tap. ALWAYS plug this unit directly into a wall outlet/receptacle. NEVER use with an extension cord or relocatable power tap (outlet/power strip).
- This firebox is for use on 120 volts. The cord has a plug as shown below. See illustration for grounding instruction. An adapter as shown at C is available for connecting three-blade grounding type plugs to two-slot receptacles. The green grounding lug extending from the adapter must be connected to a permanent ground such as a properly grounded outlet box. The adapter should not be used if a three-slot grounded receptacle is available.

ELECTRICAL SPECIFICATIONS

Voltage:	120 VAC, 60 Hz
Amps:	12.5 Amps
Watts:	1500 Watts



Operating Instructions //



Power Button

- Press the POWER button to turn ON or OFF the unit.
- When the unit is in ON mode, the power icon indicator light will be shown green.
- When the unit is in OFF mode, the power icon indicator light will be shown red. When power OFF, unit will be stopped, if heater is working before power OFF the unit, fan will have 20 seconds delay to ensure heat will not be trapped inside the unit.

Each time the firebox is plugged in, a 5-second fan and heater will turn on for internal check program.

The unit has a memory function with last settings for heating level and flame brightness effect, unless the main power to the unit has been interrupted.

Mode Button

- Press the MODE button to cycle through the different functions. Each time the MODE button is pressed, the mode will enter the next function – Temperature, Timer, Ember Bed Brightness, Flame Brightness, or Flame Color.

Temperature Mode

- The Temperature Mode controls the heater's thermostat setting.
- Press UP arrow button or DOWN arrow button to scroll through temperature settings: 59°F – 86°F (15°C – 30°C), ON, OF (OFF).
- Hold the MODE button for 3 seconds; this toggles the temperature unit between °C or °F.

This function is only available if using the control panel.

- When the ambient temperature is higher than the set temperature, heater will turn off automatically.

Timer Mode

- The Timer Mode sets the fireplace to automatically shutoff.
- Press UP arrow button or DOWN arrow button to adjust the timer setting from 0 hour (OFF) to 9 hours with 0.5 hour intervals.

Ember Bed Brightness Mode

- The Ember Bed Brightness Mode sets the ember bed brightness.
- Use the UP arrow button or DOWN arrow button to scroll through the log brightness settings: L0 (dimkest), L1, L2, L3, L4, L5 (brightest).

Flame Brightness Mode

- The Flame Brightness Mode sets the flame brightness.
- Use UP arrow button or DOWN arrow button to scroll through the flame brightness settings: F0 (no flame), F1, F2, F3, F4, F5 (brightest).

Flame Color Mode

- The Flame Color Mode should be used to set the flame color.
- Use UP arrow button or DOWN arrow button to scroll through the flame color settings: C1, C2, C3, C4.

Setting	Color	Setting	Color
C1	Orange	C3	Orange + Blue
C2	Blue	C4	Color Rotation

Up Arrow Button

- Use UP arrow button to increase the setting of the selected function.

Down Arrow Button

- Use DOWN arrow button to decrease the setting of the selected function.

Child Lock

Activate Child Lock

- When the unit is ON, hold the POWER button for 10 seconds to activate the Child Lock function. "E3" will be displayed and a "beep" will sound 3 times to indicate the Child Lock function is activated. Then, all function keys are locked. When pressing any button, "E3" will be displayed to indicate the Child Lock function has been activated.

Deactivate Child Lock


- To deactivate the Child Lock function, hold the POWER button for 10 seconds. Then, all functions keys are unlocked.

Child Lock function is only available if using the control panel.


Care And Maintenance //


CLEANING INFORMATION:


- Make sure the unit is turned off, unplugged and the heating elements of heater are cool whenever you are cleaning the heater.
- Clean the metal trim using a water-dampened, soft, and clean cloth. DO NOT use brass polish or household cleaners as these products will damage the metal trim.
- The motors used on the fan and the flame generator assembly are pre-lubricated for extended bearing life and require no further lubrication. However, periodic cleaning/vacuuming of the fan/heater and air intake/output vents is recommended.


 **WARNING:** Make sure the power is turned off before proceeding. Any electrical repairs or rewiring of this unit should be carried out by a licensed electrician in accordance with national and local codes.


If repairing or replacing an electrical component or wiring, the original wire routing, color coding and securing locations must be followed.

 **WARNING:** Electrical outlet wiring must comply with local building codes and other applicable regulations to reduce the risk of fire, electrical shock and injury to persons.

 **WARNING:** Do not use this fireplace if any part of it has been under water. Immediately call a qualified service technician to inspect the fireplace and replace any part of the electrical system.


 **WARNING:** Disconnect the power before attempting any maintenance or cleaning to reduce the risk of fire, electrical shock or personal injury.

 **WARNING:** During any service of this appliance, the power to the unit must be turned off. First turn the main power switch to the "OFF" position. Then remove the electrical plug from the wall outlet.

 **NOTE:** When the heater is not in use, it should be stored in a dry location, away from possible damage. The power cord should be stored properly to avoid contact with hot or sharp objects.

REPLACING THE REMOTE CONTROL BATTERY:

When the remote control stops operating or its range seems reduced, it is time to replace the batteries.

 **NOTE:** The batteries should be removed if the product is to be left unused for a long time.

CAUTION:

Non-rechargeable battery is not to be recharged. Exhausted battery is to be removed from the product:

1. The battery compartment is located on the back end of the remote control.
2. Press the small tab inward as you slide the battery door open and remove the old battery.
3. Insert a new CR2025 lithium battery (not included), ensuring the polarities of the battery match the inside of the battery compartment.
4. Re-insert the battery door.

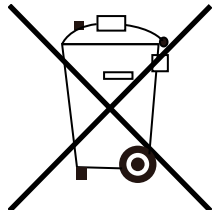
WARNING - KEEP BATTERIES OUT OF REACH OF CHILDREN

1. Swallowing may lead to serious injury in as little as 2 hours or death, due to chemical burns and potential perforation of the oesophagus.
2. If you suspect your child has swallowed or inserted a button battery, immediately seek urgent medical assistance.
3. Examine devices and make sure the battery compartment is correctly secured, e.g that the screw or other mechanical fastener is tightened. Do not use if compartment is not secure.
4. Dispose of used button batteries immediately and safely. Flat batteries can still be dangerous.
5. Tell others about the risk associated with button batteries and how to keep their children safe.



Care And Maintenance //

DISPOSAL OF USED BATTERY:



A battery may contain hazardous substances that could be endangering to the environment and human health.

- This symbol marked on the battery and/or packaging indicates that used battery shall not be treated as municipal waste. Instead it shall be left at the appropriate collection point for recycling.
- By ensuring the used battery is disposed of correctly, you will help prevent potential negative consequences for the environment and human health. The recycling of materials will help to conserve natural resources.

For more information about collection and recycling of used batteries, please contact your local municipality, your waste disposal service or the point of sale where you purchased this item.

Troubleshooting //

Problems	Possible Causes	Solutions
1. No power, logs do not glow.	1. The unit does not have power.	1. Check that unit is plugged into a standard 120 volt outlet. Then make sure power is set at "ON" position.
2. "E1" is displayed on control panel.	2. The overheat protection device has been engaged.	2. Unplug unit, wait 5-10 minutes, then the sensor will reset itself. Plug the unit back in and turn on the heater. If the problem persists, call customer service.
3. "E2" is displayed on control panel.	3. The ambient temperature sensor is broken or not working correctly.	3. Unplug unit, wait 5-10 minutes, then the sensor will reset itself. Plug the unit back in and turn on the heater. If the problem persists, call customer service.
4. "E3" is displayed on control panel.	4. Child Lock function is activated.	4. To inactivate the Child Lock function, hold the POWER button for 10 seconds.
5. Fan motor continues to blow after unit is powered off.	5. Normal operation.	5. This is a standard feature; the blower runs for an additional 20 seconds to ensure heat will not be trapped inside the unit.
6. Power cord gets warm to the touch.	6. Normal operation.	6. This is normal for a heater appliance as it requires more current to operate. Check the connections of the appliance cord and the outlet. Make sure the plug fits tightly into the outlet. During use, check the plug and outlet frequently to determine if it is HOT; if so, discontinue use of the appliance and consult with a qualified electrician to check or change the overheating outlet(s).

QUESTIONS, PROBLEMS, OR MISSING PARTS?
Please Contact Customer Service Before Returning to Store



MANUEL D'UTILISATEUR

Vérifiez soigneusement l'appareil et assurez-vous qu'il n'y a pas de dommages lorsque vous ouvrez le carton.

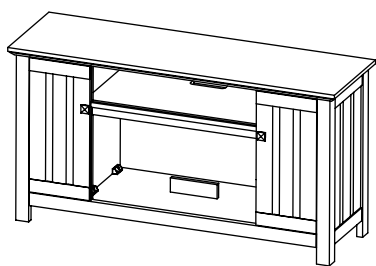
**QUESTIONS, PROBLÈMES OU PIÈCES MANQUANTES?
Contactez le service clientèle avant de le retourner au magasin**

Conservez ce manuel pour référence future

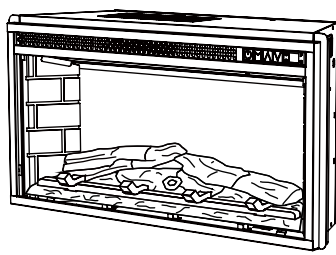
Table des matières //

- **GENERAL INFORMATION**
 - Contenu de la boîte 22
 - Consignes de sécurité 23
 - Garantie 24
- **INSTRUCTIONS D'ASSEMBLÉE**
 - Préparation 25
 - Assemblée 27
- **OPÉRATIONS DE FOYER**
 - Informations FCC / IC 35
 - Information de securite 36
 - Instructions d'operation 37
 - Soins et entretien 38
 - Guide de depannage 39

Contenu de la boîte //



Manteau de cheminée



Foyer



Télécommande

Consignes de sécurité //

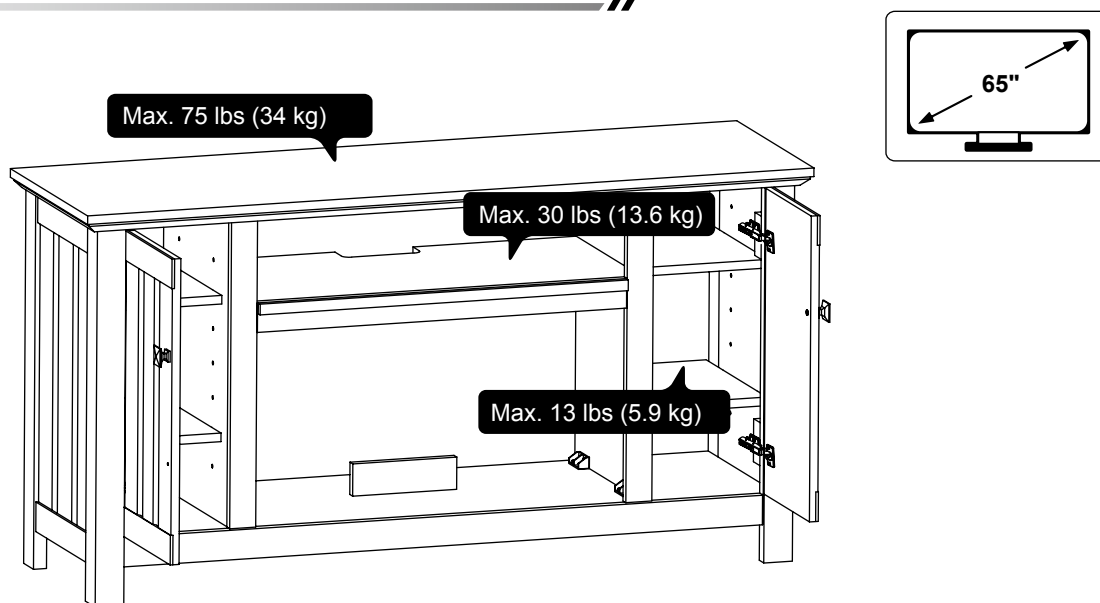
Assurez-vous de lire et de comprendre l'intégralité du présent manuel avant de tenter d'assembler, d'installer ou d'utiliser l'article.

AVIS IMPORTANT

Quand vous utilisez un appareil électrique, des précautions de base doivent être toujours suivies pour réduire le risque d'incendie, de choc électrique, de blessure corporelle incluant les suivantes:

- ⚠ **AVERTISSEMENT:** Placez cette unité dans un endroit qui évite la lumière directe du soleil et des températures élevées.
- ⚠ **AVERTISSEMENT:** Les sacs en plastique, les clous, etc. doivent être gardés hors de la portée des enfants.
- ⚠ **AVERTISSEMENT:** Cet appareil est chaud lors de l'utilisation. Pour éviter des brûlures, NE PAS laisser la peau nue toucher les surfaces chaudes. Garder les matériaux combustibles comme les meubles, oreillers, draps, papiers, vêtements et rideaux à moins de 3 pieds du devant de l'appareil et les tenir à l'écart des côtés et de l'arrière.
- ⚠ **AVERTISSEMENT:** Des précautions extrêmes sont nécessaires lorsque l'appareil est utilisé par ou près d'enfants ou de personnes avec un handicap et lorsque le foyer est laissé sans surveillance.
- ⚠ **AVERTISSEMENT:** NE PAS utiliser une rallonge sous un tapis. NE PAS couvrir le fil d'alimentation avec une moquette ou tout autre objet du genre. Placer le fil d'alimentation en dehors d'emplacement où il y a de la circulation.
- ⚠ **AVERTISSEMENT:** NE PAS insérer ou laisser des objets étrangers entrer dans les fentes de ventilation ou sortie d'air. Ceci peut causer un choc électrique, un incendie ou des dommages à l'appareil.
- ⚠ **AVERTISSEMENT:** Cet appareil contient des pièces chaudes et qui cause des arcs électriques à l'intérieur. NE PAS utiliser dans une pièce où de l'essence, peinture, liquide inflammable sont utilisés ou entreposés. Cet appareil ne doit pas être utilisé comme sèche-linge. Les bas de Noël ou les décorations ne devraient pas être accrochés près du foyer.

Avertissement de charge maximale //



- ⚠ **ATTENTION:** Cet appareil est destiné à être utilisé uniquement avec les produits et les poids maximum indiqués. L'utilisation avec d'autres produits ou produits plus lourds que les poids maximaux indiqués peut entraîner une instabilité provoquant des blessures possibles.
- ⚠ **REMARQUE:** les téléviseurs à écran plat avec support de base doivent être placés directement au centre du support sans surplomb de n'importe quel côté.

GARANTIE



1 AN GARANTIE LIMITEE

Nous garantissons que votre nouveau foyer électrique est libre de tous défauts de fabrication pour une période de un an de la date d'achat. Sujet aux conditions et limitations suivantes.

1. Le foyer électrique doit être installé et utilisé en accord avec le manuel d'installation et d'utilisation fournis avec l'appareil. Toute réparation non autorisée, modification, abus volontaire, accident, mauvaise utilisation du produit annulera la garantie.
2. Cette garantie est non transférable et est pour le propriétaire original qui a acheté le produit d'un fournisseur autorisé de la compagnie.
3. La garantie est limitée à la réparation ou le remplacement des pièces défectueuses à condition que ces pièces ont été utilisées de façon normale, après que les dites pièces ont été confirmées défectueuses par l'inspection de la compagnie.
4. La Compagnie, à sa discrétion, exige que toutes les pièces défectueuses soient retournées en échange de la (les) pièce (s) de rechange.
5. La Compagnie, à sa discrétion, peut se décharger de toutes ses obligations à l'égard de cette garantie en remboursant le prix d'achat des pièces défectueuses.
6. Cette garantie ne couvre pas les lumières DEL incluses avec les foyers électriques.
7. Toute installation, main-d'œuvre pour la construction, le transport, ou d'autres frais et / ou dépenses découlant de la pièce défectueuse, de la réparation, du remplacement, ne sera pas couvert par cette garantie et la Compagnie n'en assume pas la responsabilité.
8. Le propriétaire / utilisateur assume tous les autres risques. Y compris le risque de perte ou de dommages directs, indirects ou consécutifs découlant de l'utilisation. Ou l'impossibilité d'utiliser le produit, sauf dans les cas prévus par la loi.
9. Toutes les autres garanties en ce qui concerne le produit, ses composants et accessoires, ou des obligations / responsabilités de la part de la Compagnie sont expressément exclues.
10. La Compagnie n'assume, ni autorise un tiers à assumer, à ce nom, toute autre responsabilité à l'égard de la vente du produit.
11. Les garanties décrites dans le présent document ne sont pas applicables aux accessoires non utilisés en conjonction avec l'installation de ce produit.
12. Cette garantie vous donne des droits spécifiques, et vous pouvez également avoir d'autres droits qui varient d'un État à l'autre.

Cette garantie est nulle si:

- (a) Le foyer est soumis à des périodes prolongées d'humidité ou de la condensation.
- (b) Toute modification non autorisée, abus volontaire, accident ou mauvais usage du produit.
- (c) Vous n'avez pas le reçu d'achat original.

SI LE SERVICE DE GARANTIE EST NÉCESSAIRE

Contactez le service à la clientèle



Assurez-vous que vous disposez des informations suivantes:

- Garantie
- Facture de vente
- Modèle de produit / numéro de série
- Date d'achat
- Emplacement de l'achat

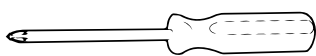
Préparation



⚠ UNE INFORMATION IMPORTANT

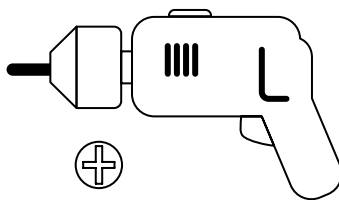
1. Avant de commencer, localisez les instructions et le matériel. Assurez-vous d'avoir toutes les pièces et peut les identifier.
2. Pour éviter de gratter la finition, assemblez le produit sur une surface douce et non abrasive comme le tapis ou le carton.
3. L'assemblage de ce produit peut exiger plus d'une personne.

Outils requis



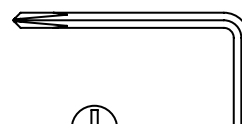
Tournevis cruciforme

OU



Perceuse

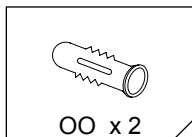
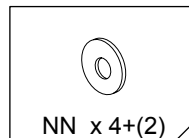
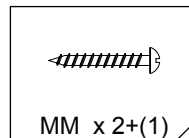
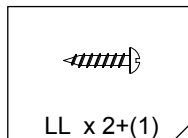
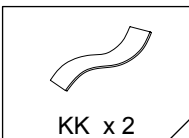
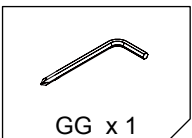
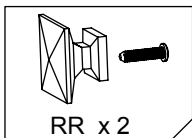
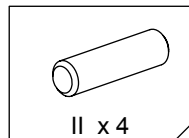
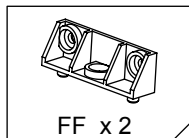
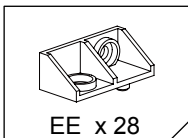
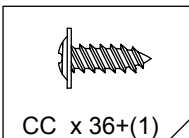
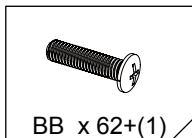
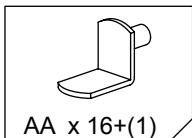
OU



Cle hexagonale

Identification de la quincaillerie

Nombre de matériel en () est séparé pour la sauvegarde



Utilisez le stylet de retouche pour couvrir les rayures superficielles.

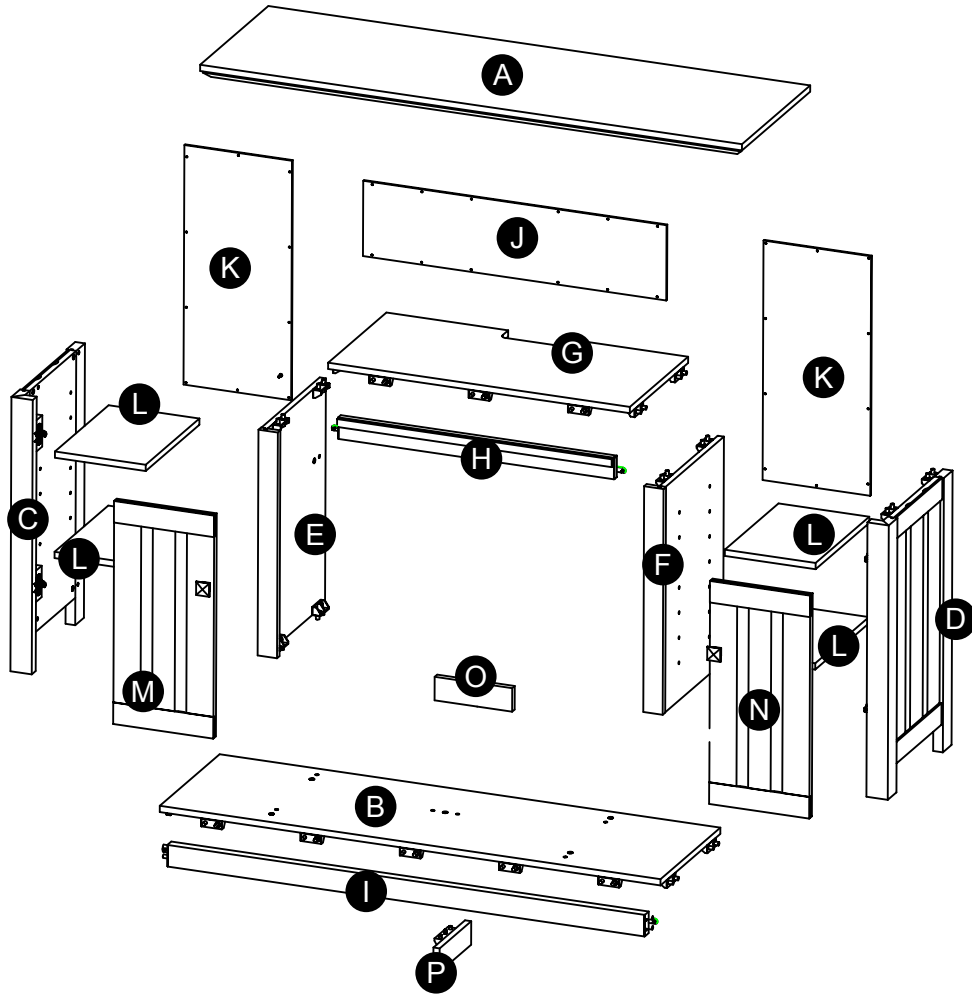


AVERTISSEMENT : Les chevilles en plastique inclus (OO) sont destinés à être utilisés avec des murs solides seulement (Tuile et béton). NE PAS UTILISER AVEC DES PANNEAUX DE GYPSE OU AUTRES MUR CREUX.

Préparation



Liste des pieces



A	x 1
B	x 1
C	x 1
D	x 1
E	x 1
F	x 1
G	x 1
H	x 1

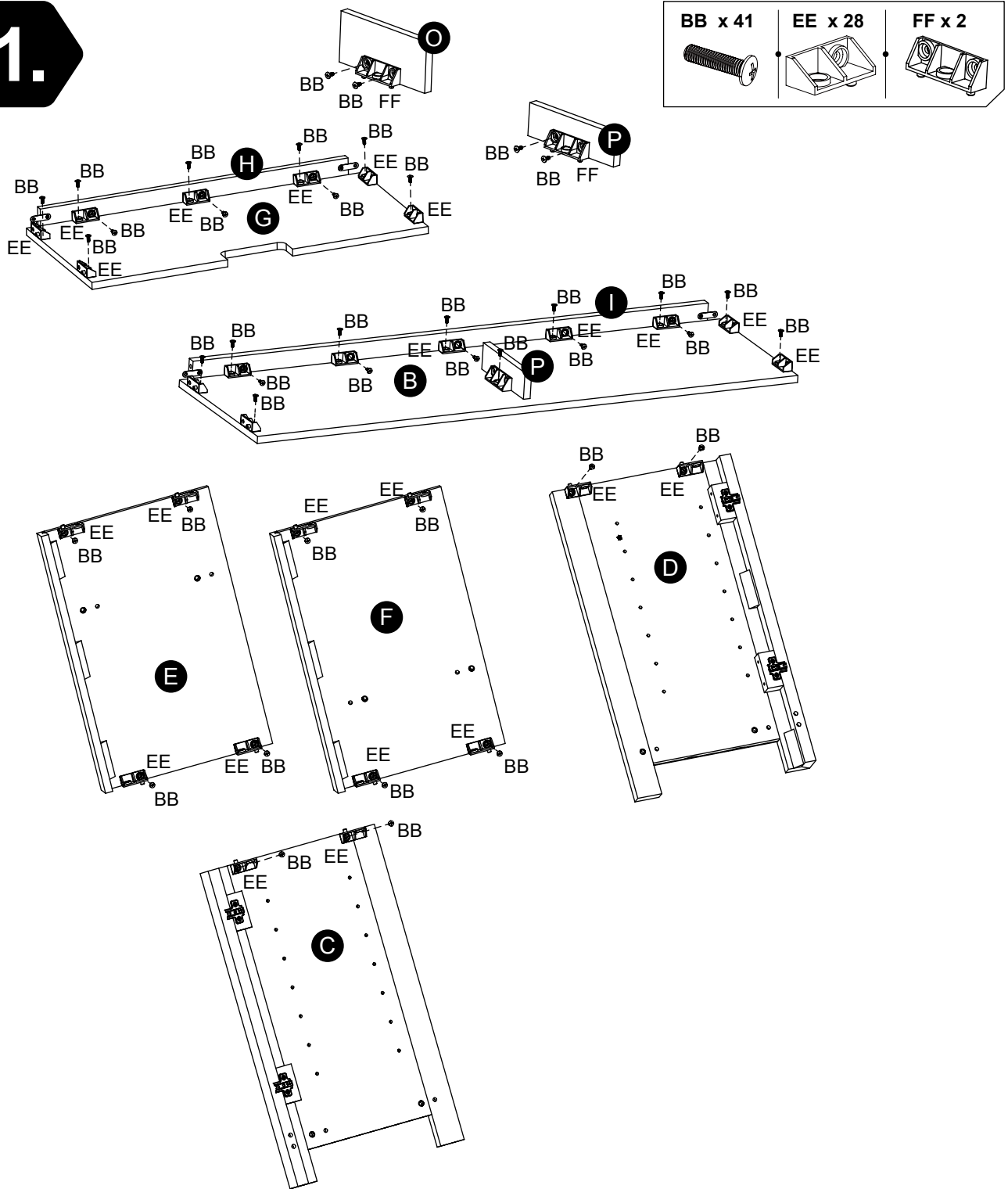
I	x 1
J	x 1
K	x 2
L	x 4
M	x 1
N	x 1
O	x 1
P	x 1

Assemblée



Ne pas serrer complètement les vis pendant l'assemblage. Ne serrez que lorsque toutes les pièces sont installées en place.

1.

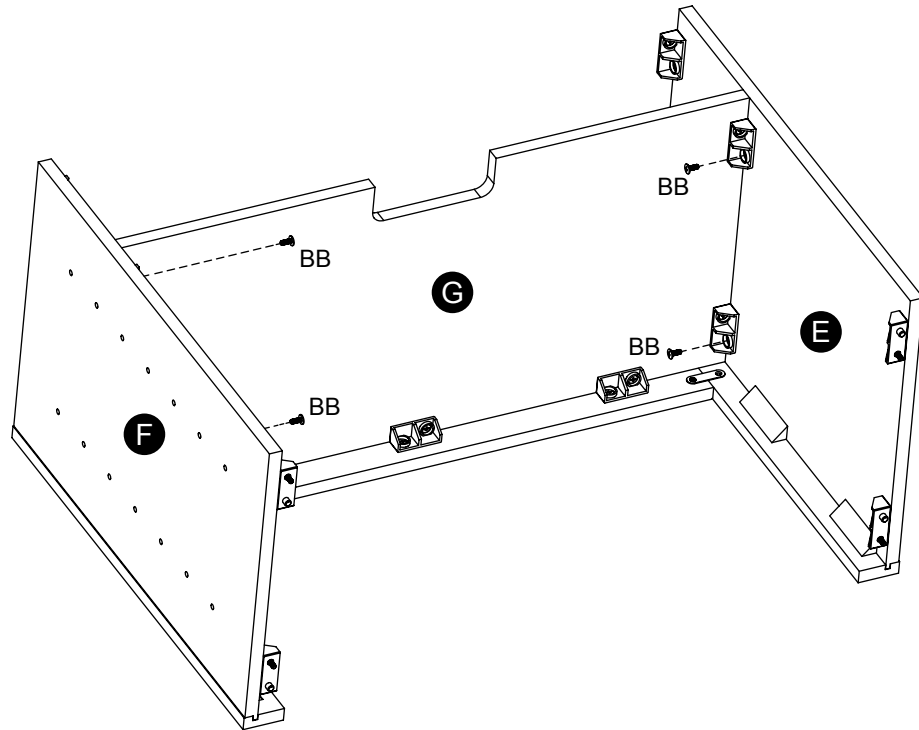


Assemblée



Ne pas serrer complètement les vis pendant l'assemblage. Ne serrez que lorsque toutes les pièces sont installées en place.

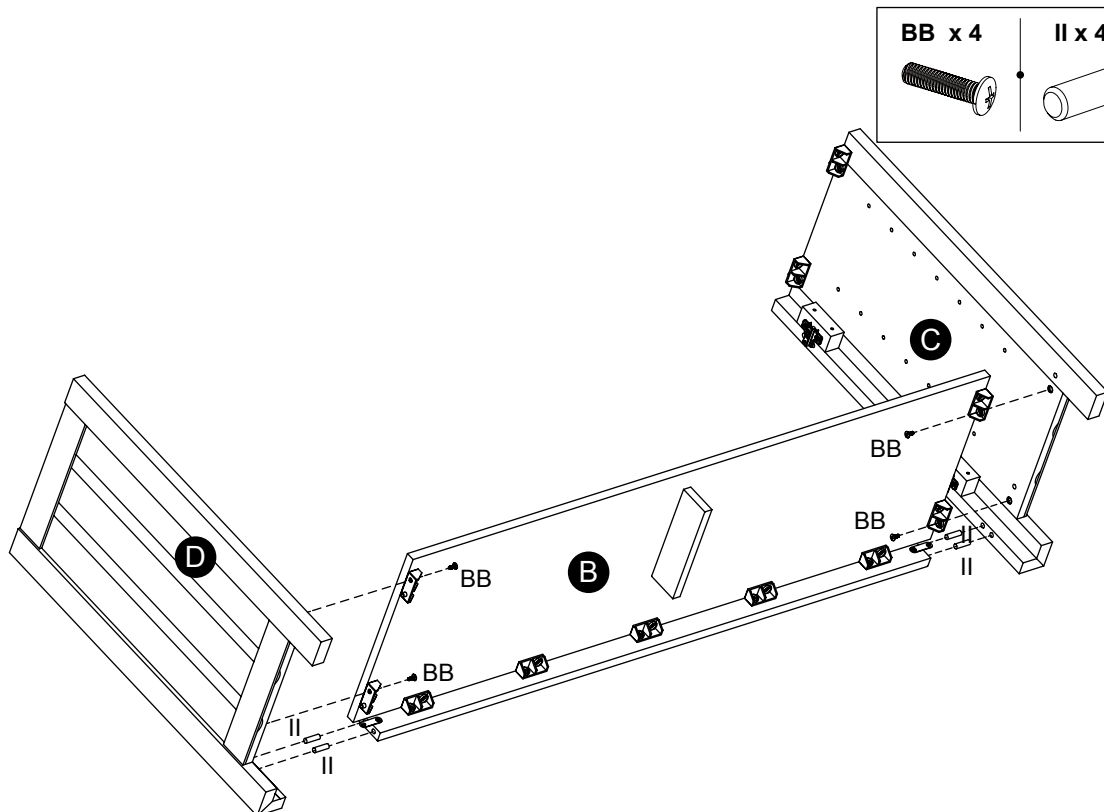
2.



BB x 4



3.



BB x 4

II x 4



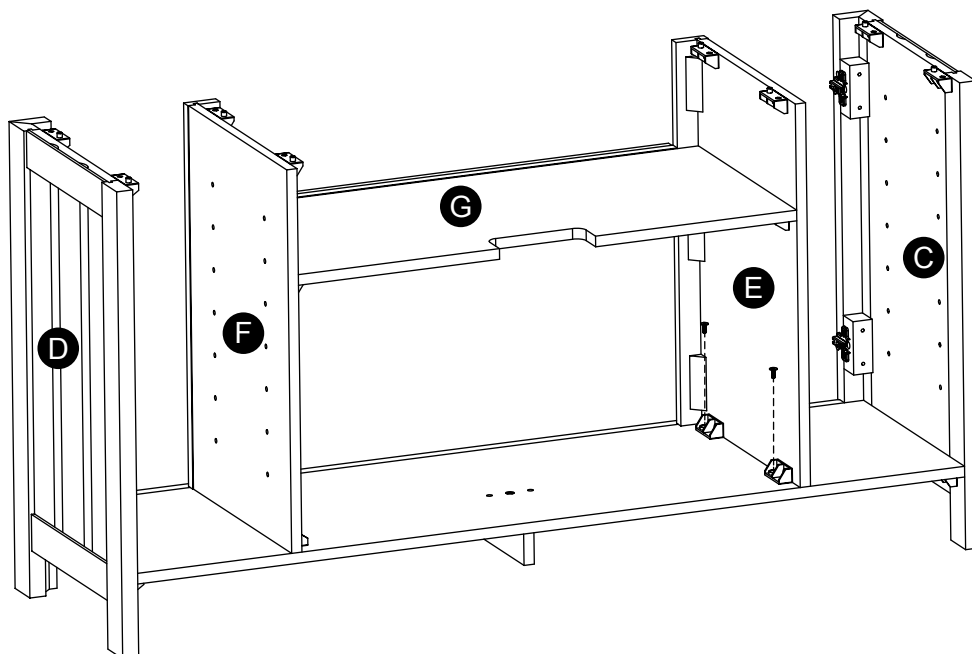
Assemblée



Ne pas serrer complètement les vis pendant l'assemblage. Ne serrez que lorsque toutes les pièces sont installées en place.

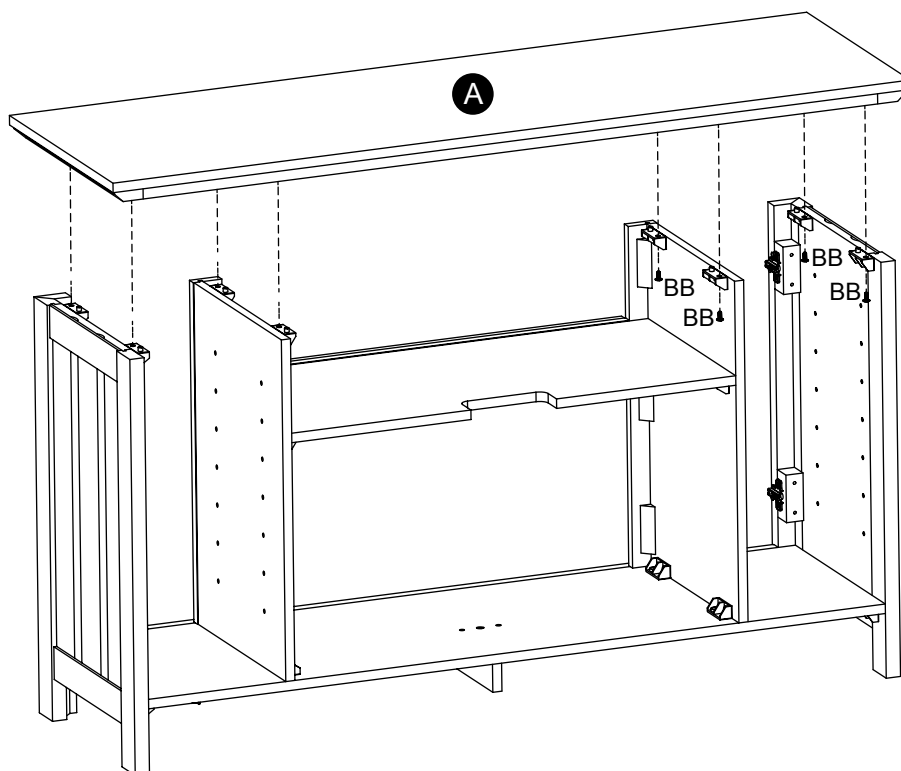
4.

BB x 4



5.

BB x 7



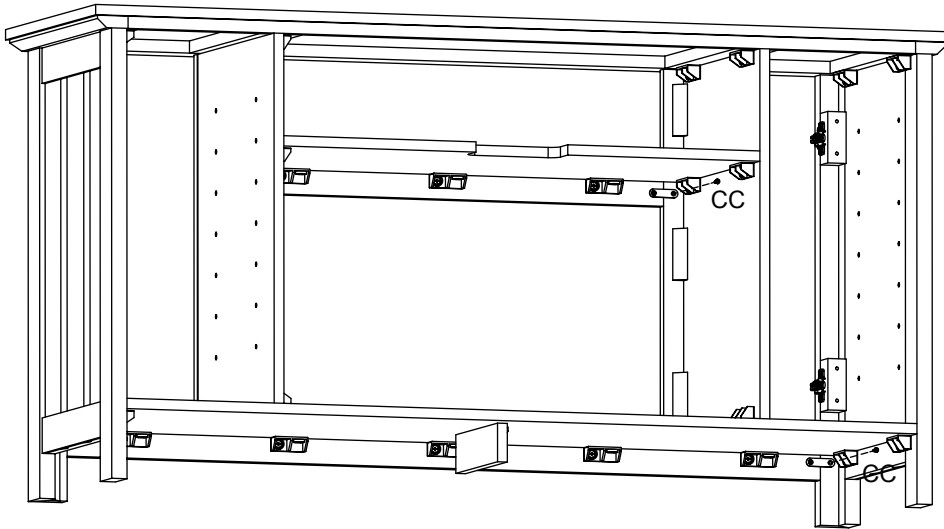
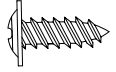
Assemblée



Ne pas serrer complètement les vis pendant l'assemblage. Ne serrez que lorsque toutes les pièces sont installées en place.

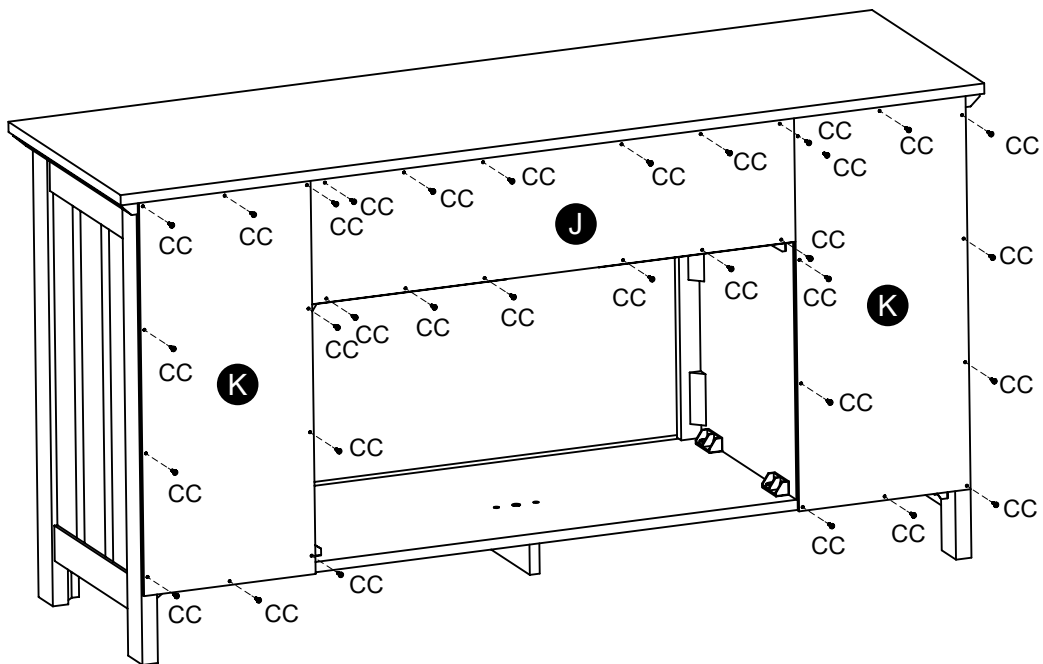
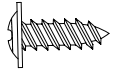
6.

CC x 4



7.

CC x 32



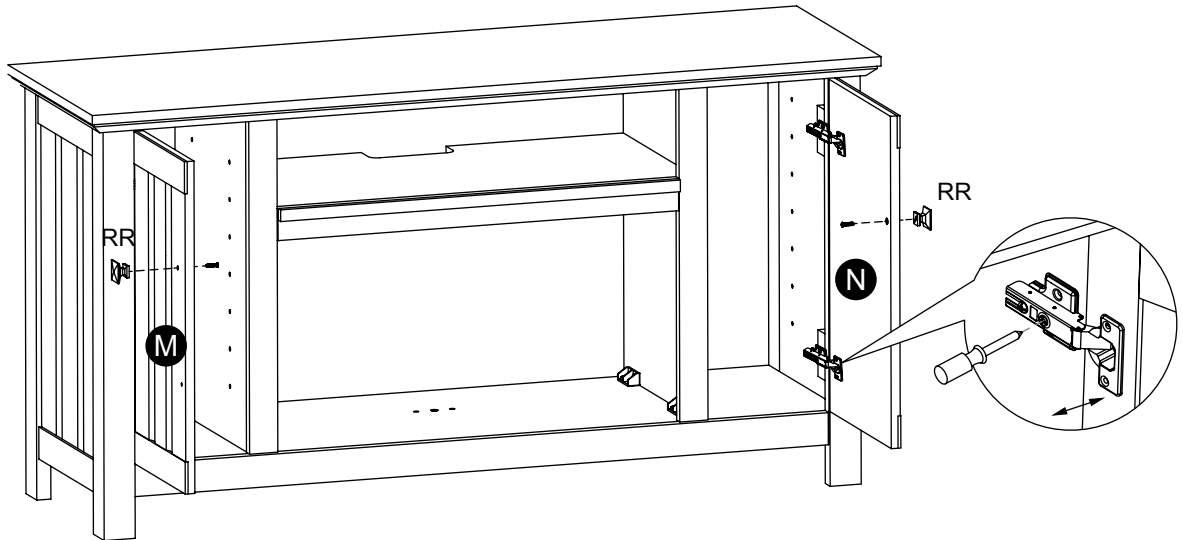
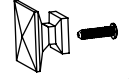
Assemblée



Ne pas serrer complètement les vis pendant l'assemblage. Ne serrez que lorsque toutes les pièces sont installées en place.

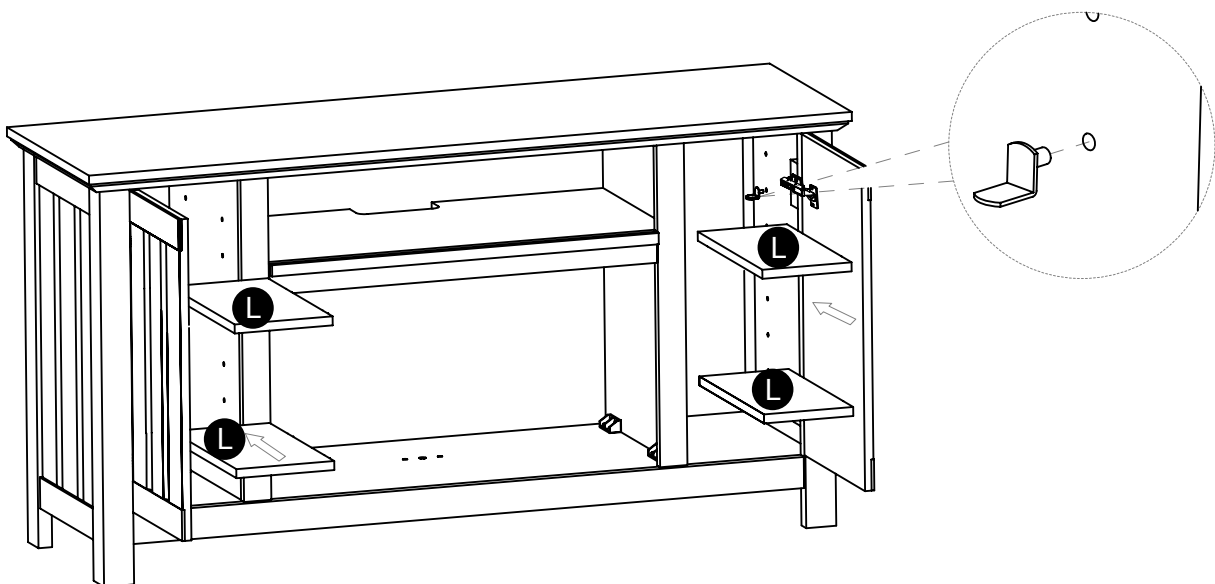
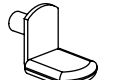
8.

RR x 2



9.

AA x 16

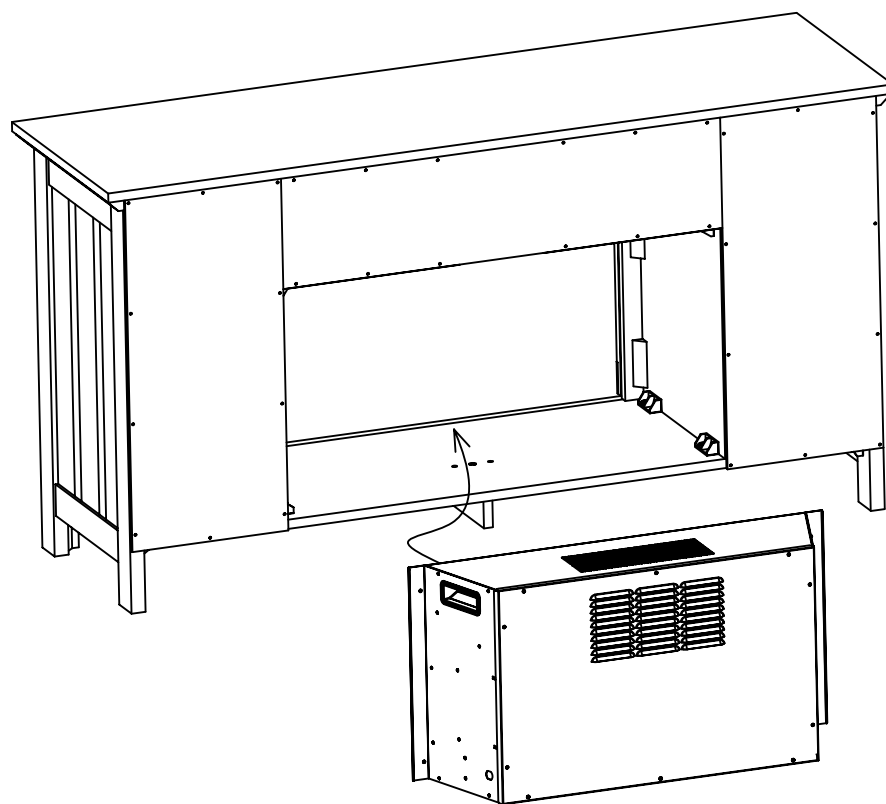


Assemblée



Ne pas serrer complètement les vis pendant l'assemblage. Ne serrez que lorsque toutes les pièces sont installées en place.

10.



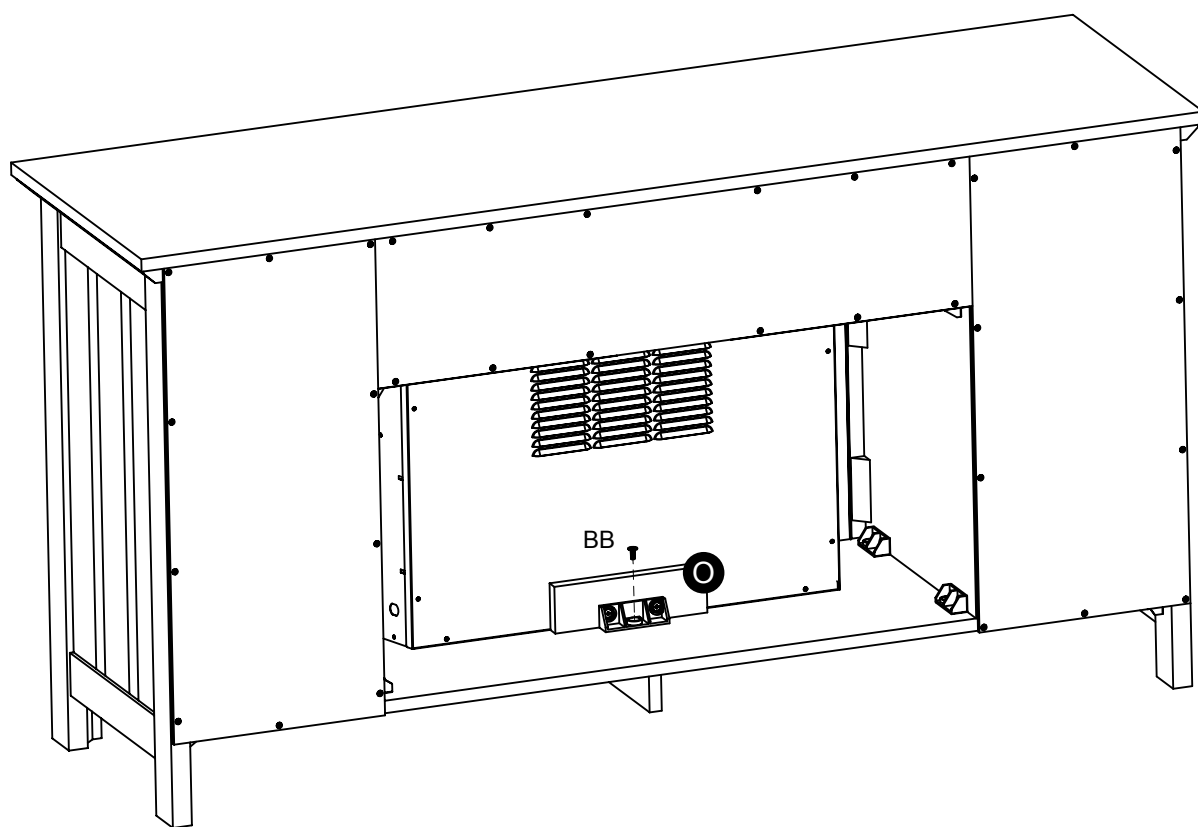
Assemblée



Ne pas serrer complètement les vis pendant l'assemblage. Ne serrez que lorsque toutes les pièces sont installées en place.

11.

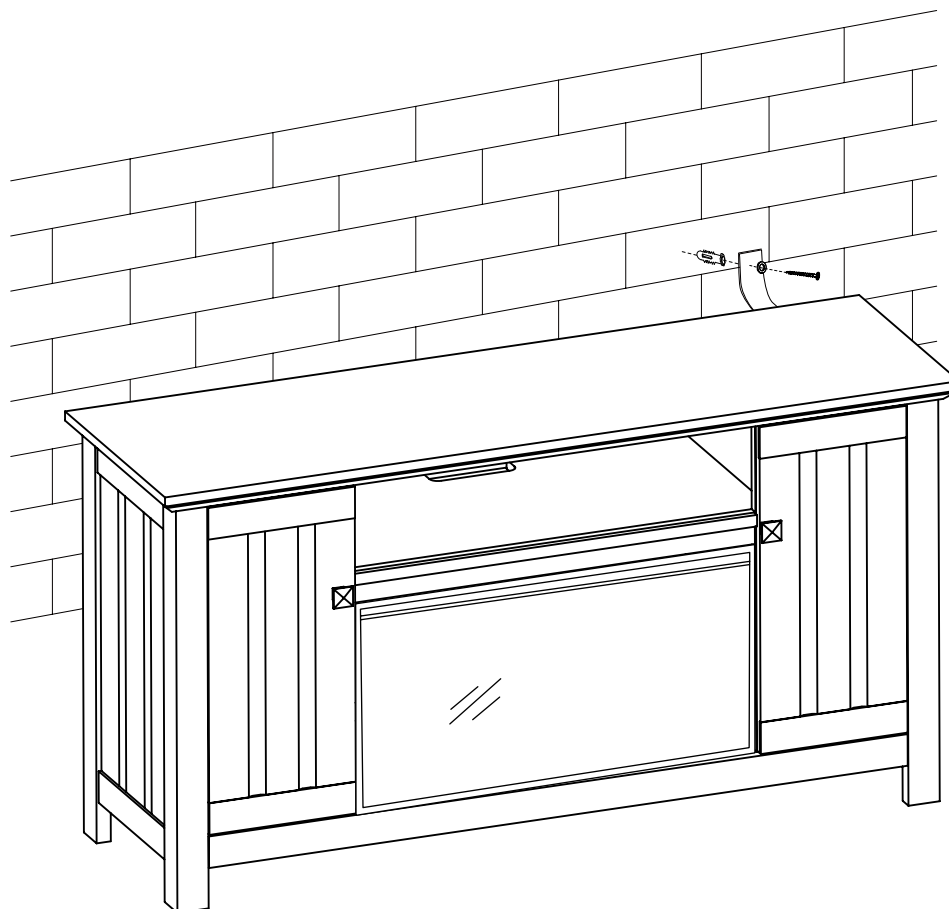
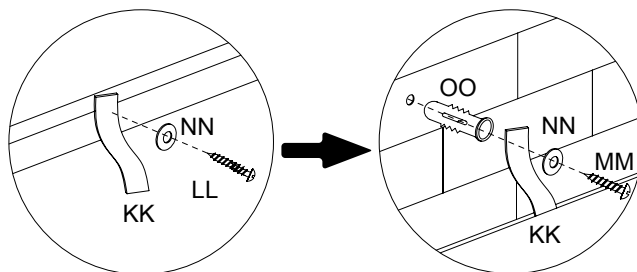
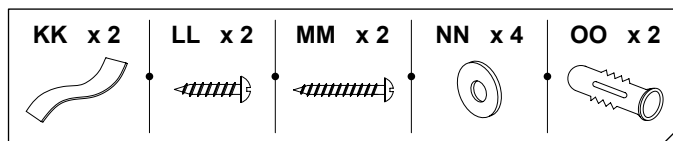
BB x 1



Assemblée



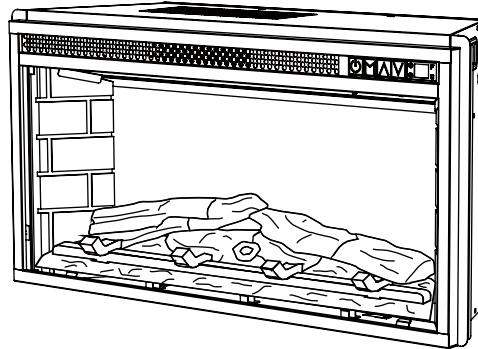
Ne pas serrer complètement les vis pendant l'assemblage. Ne serrez que lorsque toutes les pièces sont installées en place.



ATTENTION:

- Si l'installation du foyer est sur une cloison sèche ou d'autres mur creux, la bande de montage (KK) doit être fixée aux montants ou à d'autres éléments de structure de mur. Les chevilles en plastique inclus (OO) sont destinées à être utilisées avec des murs solides seulement (de tuiles ou en béton).
- NE PAS UTILISER AVEC DES PANNEAUX DE GYPSE OU D'AUTRES MURS CREUX.

Modèle de foyer



⚠ ATTENTION :

- Trouver un emplacement pour le foyer protégé contre les rayons directs du soleil.
- Le fait de ne pas lire toutes les instructions peut provoquer un choc électrique, un risque d'incendie et / ou des blessures et annulera la garantie.

⚠ AVERTISSEMENT :

- Si les informations contenues dans ce manuel ne sont pas suivies exactement, il peut résulter en un choc électrique ou un incendie qui peut entraîner des dommages matériels, des blessures ou des pertes de vie.
- Ne rangez ni ne utilisez de l'essence ou d'autres vapeurs ou liquides inflammables à proximité de cet appareil.

Informations FCC / IC //

Cet article a été testé et déclaré conforme aux limites imposées aux dispositifs numériques de classe B, conformément à l'alinéa 15 du règlement de la FCC. Ces limites sont destinées à assurer une protection raisonnable contre les interférences nuisibles dans un environnement résidentiel. Cet article génère, utilise et peut émettre de l'énergie radiofréquence et, s'il n'est pas installé et utilisé conformément aux instructions, risque de provoquer des interférences nuisibles lors de la réception d'émissions de radio ou de télévision (il suffit, pour le vérifier, d'allumer et d'éteindre successivement l'article). L'utilisateur devra prendre les mesures nécessaires suivantes pour tenter d'éliminer ces interférences:

- (a) reorienter ou déplacer l'antenne receptrice;
- (b) accroître la distance entre l'appareil et le receptrice;
- (c) brancher l'appareil sur une prise de courant appartenant à un autre circuit que celui du receptrice;
- (d) obtenir de l'aide auprès du détaillant ou d'un technicien en radio ou en télévision expérimenté.

Cet appareil est conforme à l'alinéa 15 du règlement de la FCC. Son utilisation est soumise aux deux conditions suivantes :

- (a) cet appareil ne doit provoquer aucune interférence nuisible; et
- (b) cet appareil doit accepter toute interférence reçue, y compris des interférences susceptibles de causer un fonctionnement non désiré.

Les modifications non autorisées expressément par la partie responsable de la conformité peuvent annuler le droit de l'utilisateur de se servir de cet appareil.

Cet appareil numérique de classe B est conforme à la norme NMB-003 du Canada.

INFORMATION DE SECURITE //

N'utilisez cet appareil que pour l'usage prévu dans ce manuel. Toute autre utilisation n'est PAS recommandée par le fabricant et peut provoquer un incendie, une décharge électrique ou des blessures.

MISE EN GARDE:

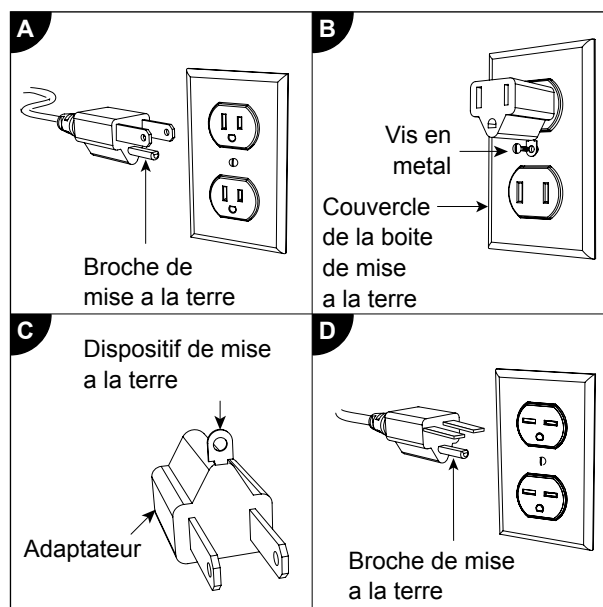
- Dans la mesure du possible, débranchez TOUJOURS cet appareil lorsqu'il n'est pas utilisé.
- N'utilisez PAS un appareil muni d'une fiche ou d'un cordon endommagés ou qui a subi une défaillance.
- Ne faites PAS fonctionner un appareil qui est tombé ou qui a été endommagé de quelque façon que ce soit. Coupez l'alimentation électrique à partir du tableau de distribution et faites inspecter l'appareil par un électricien qualifié avant de le réutiliser.
- Confiez toute réparation de ce foyer à un technicien qualifié.
- Ne modifiez jamais ce foyer. Remplacez les pièces qui ont dû être retirées pour l'entretien avant d'utiliser de nouveau le foyer.
- N'utilisez PAS ce produit à l'extérieur.
- Cet appareil n'est pas conçu pour être utilisé dans une salle de bains, une salle de lavage ou tout autre endroit humide semblable. Ne placez JAMAIS l'article dans un endroit où il pourrait tomber dans une baignoire ou un autre contenant rempli d'eau.
- Pour débrancher cet appareil, tournez les commandes en position d'arrêt, puis retirez la fiche de la prise.
- Branchez UNIQUEMENT la fiche sur une prise correctement mise à la terre.
- Lors de l'installation, veillez à ce que l'appareil soit mis à la terre conformément aux codes locaux, à la plus récente version du Code canadien de l'électricité, CSA C22.1, ou au code national de l'électricité, ANSI/NFPA No 70.
- Afin de prévenir les risques d'incendie, ne bloquez JAMAIS les ouvertures de ventilation ou de sortie d'air de quelque façon que ce soit. Ne placez PAS l'appareil sur une surface molle, comme un lit, car l'ouverture pourrait se bloquer.
- Ne placez PAS l'appareil directement sous une prise de courant. Branchez TOUJOURS l'article directement sur une prise murale. N'utilisez JAMAIS une rallonge ni une prise rechargeable (barre d'alimentation).
- À l'intérieur de cet appareil se trouve un limiteur. Lorsque l'appareil surchauffe ou que sa température devient anormalement élevée, le dispositif de protection du thermostat coupe l'alimentation électrique afin d'éviter d'endommager l'appareil ou de causer un incendie.
- Ne faites PAS glisser le foyer encastrable sur une surface en bois afin de prévenir les égratignures.
- Ne placez AUCUN objet sur le dessus du foyer encastrable et des prises d'air supérieures, car cela pourrait causer une surchauffe de l'appareil et provoquer un incendie.

Branchement électrique

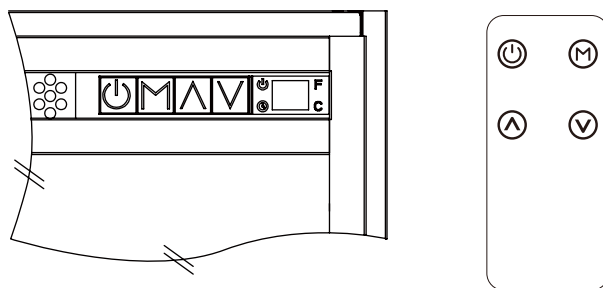
- Un circuit de 15 A, 120 V et 60 Hz avec une prise correctement mise à la terre est nécessaire. Il est recommandé de réserver un circuit au foyer, car d'autres appareils alimentés par le même circuit pourraient causer le déclenchement du disjoncteur ou faire sauter le fusible lorsque le foyer est en fonction. L'appareil est muni d'un cordon à trois broches d'une longueur de 1,83 m (6 pi) se trouvant à l'arrière. Ne dépassez PAS le courant nominal de la prise de courant. Branchez TOUJOURS l'article directement sur une prise murale. N'utilisez JAMAIS de rallonge ni de prise mobile (barre d'alimentation).
- Cet appareil est conçu pour être utilisé sur un circuit de 120 volts. La fiche dont est muni le cordon est illustrée ci-dessous. Consultez l'illustration pour connaître les instructions de mise à la terre. L'adaptateur illustré (C) devrait être utilisé pour brancher les fiches à trois broches avec mise à la terre aux prises à deux fentes. La cosse de mise à la terre verte de l'adaptateur doit être branchée sur une mise à la terre permanente, comme une boîte de sortie mise à la terre. Ne vous servez pas de l'adaptateur si une prise à trois fentes avec mise à la terre est disponible.

CARACTERISTIQUES

Tension:	120 VAC, 60 Hz
Amperes:	12.5 Amps
Watts:	1500 Watts



INSTRUCTIONS D'OPERATION //



Power Button

Appuyer sur le bouton d'alimentation pour mettre en marche ou à l'arrêt.

- Quand l'unité est en mode MARCHE, le voyant d'alimentation sera vert.
- Quand l'unité est en mode ARRÊT, le voyant d'alimentation sera rouge. Quand l'unité est en mode ARRÊT, il s'arrêtera, si le chauffage fonctionnait avant l'arrêt de l'appareil, le ventilateur fonctionnera pour 20 secondes pour s'assurer que la chaleur se dissipe.

A chaque fois que l'unité est branchée, le ventilateur et l'élément de chauffage fonctionnera pendant 5 secondes pour une vérification interne.

Cette unité a une mémoire qui garde le dernier réglage des fonctions de chauffage et d'effet de flamme, sauf si la source d'alimentation est rompue.

Bouton Mode

- Appuyer sur le bouton MODE pour passer les différentes fonctions. A chaque fois que le bouton MODE est presse, la fonction passe à la suivante - Température, Minuteur ou Effet de Flamme.

Reglage de Temperature

- Le mode température contrôle le thermostat du chauffage.
- Appuyer sur le bouton flèche en HAUT ou en BAS pour faire défiler les température pré-réglée de 59°F (15°C) à 86°F (30°C), MARCHE & ARRÊT.
- Tenir le bouton MODE pour 3 secondes, ceci permettra de changer de °C to °F ou °F to °C. L'unité est en °F par défaut.

Cette fonction est disponible seulement en utilisant le panneau de contrôle.

- Quand la température ambiante est plus haute que la température réglée, le chauffage s'arrêtera automatiquement.

Reglage Minuterie

- Le mode MINUTERIE devrait être utilisé comme un compte à rebours.
- Appuyer sur le bouton flèche en HAUT ou en BAS pour ajuster le réglage de la minuterie de 0 heure (ARRÊT) à 9 heures avec 0.5 heure d'intervalle.

Reglage d'Effet de ensemble de bûches

- Le mode Luminosité des bûches permet de régler la luminosité des bûches.
- Utilisez les flèches Haut et Bas pour voir les différentes luminosités : F0 (plus faible), L1, L2, L3, L4, L5 (luminosité).

Reglage d'Effet de Flamme

- Le mode effet de flamme est utilisé pour régler la luminosité de la flamme.
- Utilisez la flèche en HAUT ou en BAS pour faire défiler les réglages de luminosité: F0 (pas de Flamme), F1, F2, F3, F4, F5 (luminosité)

Reglage de la Couleur de Flamme

- Le mode couleur de flamme doit être utilisé pour définir la couleur de flamme.
- Le mode couleur de flamme doit être utilisé pour définir la couleur de flamme.

Réglage	Couleur	Réglage	Couleur
C1	Jaune	C3	Jaune + Bleu
C2	Bleu	C4	Changement Automatique (Fondu / Disparaître)

Bouton fleche du HAUT

- Utilisez le bouton flèche en HAUT pour augmenter la fonction sélectionnée.

Bouton fleche en BAS

- Utilisez le bouton flèche en HAUT pour diminuer la fonction sélectionnée.

Verrouillage Sécuritaire

Active le Verrouillage de Sécurité

- Quand l'unité fonctionne, tenir le bouton POWER 10 secondes pour activer la fonction de verrouillage. E3 s'affichera et 3 bip sonore indiquera que la fonction verrouillage est active. Toutes les fonctions sont verrouillées. Quand vous appuyez sur n'importe quel bouton, E3 apparaît ce qui indique que la fonction verrouillage est active.

Desactive la fonction verrouillage

- Pour désactiver la fonction verrouillage, tenir le bouton POWER pour 10 secondes.


La fonction verrouillage est seulement disponible lors de l'utilisation du panneau de contrôle.

SOINS ET ENTRETIEN



RENSEIGNEMENTS SUR LE NETTOYAGE :

- Assurez-vous que l'appareil est éteint, débranche l'appareil, attendre que l'appareil soit froid avant de nettoyer.
- Nettoyer la garniture métallique à l'aide d'un chiffon doux et propre imbibé d'eau. NE PAS utiliser de vernis pour laiton ou de nettoyeurs ménagers, car ces produits endommageraient la garniture métallique.
- Les moteurs utilisés pour le ventilateur et pour la flamme sont pré-lubrifiés à vie et ne nécessitent aucune lubrification supplémentaire. Cependant, le nettoyage périodique / passer l'aspirateur dans le ventilateur, de l'élément de chauffage de l'admission d'air et des événements de sortie est recommandé.

 **ATTENTION** : Assurez-vous que l'alimentation est coupée avant de procéder. Toutes les réparations électriques ou recablage de cet appareil doivent être effectuées par un électricien agréé conformément aux codes nationaux et locaux.

Si la réparation ou le remplacement de composant électrique ou de câblage, le diagramme des fils d'origine, le codage couleur et la sécurisation des emplacements doivent être suivies.



ATTENTION : Le câblage électrique doit être conforme aux codes de construction locaux et autres réglementations applicables pour réduire le risque d'incendie, d'électrocution et de blessures corporelles.



ATTENTION : Ne pas utiliser ce foyer si une partie quelconque de celui-ci a été sous l'eau. Appelez immédiatement un technicien de service qualifié pour inspecter le foyer et pour remplacer toute une partie du système électrique.



ATTENTION : Coupez l'alimentation avant tout entretien ou nettoyage afin de réduire le risque d'incendie, d'électrocution ou de blessure.

ATTENTION : Pendant tout service de cet appareil, l'alimentation de l'appareil doit être mise hors tension. Tout d'abord tourner l'interrupteur d'alimentation principal sur la position (ARRÊT). Ensuite, retirez la fiche électrique de la prise murale.



Remarque : Lorsque le poêle n'est pas utilisé, il devrait être entreposé dans un emplacement sec, loin des dommages potentiels. Le cordon d'alimentation devrait être entreposé correctement afin d'éviter tout contact avec des objets chauds ou tranchants.

Remplacement de la pile de la télécommande :

Lorsque la télécommande ne fonctionne plus ou si sa portée semble réduite, il est temps de remplacer la pile.



Remarque : Retirez la pile si vous ne prévoyez pas utiliser la télécommande pendant une période prolongée.



Mise en garde :

N'essayez pas de recharger des piles non rechargeables. La pile doit être retirée de l'article une fois qu'elle est déchargée.

1. Le compartiment à pile se trouve à l'arrière de la télécommande.
2. Appuyez sur la petite languette vers l'intérieur en glissant le couvercle du compartiment à pile pour l'ouvrir, puis retirez la pile usagée.
3. Insérez une nouvelle pile au lithium CR2025 (non incluse) et assurez-vous que les polarités positive et négative sont placées de la façon indiquée dans le compartiment.
4. Re-insérez la batterie dans le compartiment.

AVERTISSEMENT - GARDER LES BATTERIES HORS DE LA PORTÉE DES ENFANTS

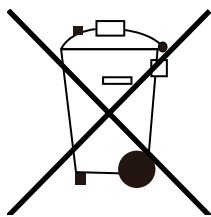


1. L'ingestion peut entraîner des blessures graves en moins de 2 heures ou la mort, en raison de brûlures chimiques et perforation potentielle de l'œsophage.
2. Si vous pensez que votre enfant a avalé un bouton de batterie, immédiatement Demander une assistance médicale urgente.
3. Examinez les appareils et assurez-vous que le compartiment de la batterie est correctement sécurisé, Par exemple, que la vis ou autre attache mécanique est serrée. Ne pas utiliser si Le compartiment n'est pas sécurisé.
4. Éliminer immédiatement les piles bouton utilisées de façon sécuritaire. Les piles plates peuvent toujours être dangereux.
5. Renseignez-vous sur le risque associé aux batteries bouton et la façon de conserver les enfants en sécurité.





Elimination de la pile usagée :



Une pile contient des substances dangereuses qui peuvent être nocives pour l'environnement ou votre santé.

- Ce symbole apposé sur une pile ou sur son emballage indique que la pile ne doit pas être éliminée de la même manière que les déchets ménagers. Elle doit être apportée à un point de collecte approprié pour être recyclée.
- En vous assurant d'éliminer la pile usagée de la façon appropriée, vous contribuez à éviter de possibles conséquences négatives sur l'environnement et la santé. Le recyclage des matériaux aide à conserver les ressources naturelles.

Pour en savoir davantage sur la collecte et le recyclage des piles usagées, veuillez communiquer avec votre municipalité, votre service d'élimination des déchets ou le point de vente où vous avez acheté cet article.

GUIDE DE DEPANNAGE



1. L'appareil n'est pas alimenté; les bâches ne scintillent pas.	1. L'appareil n'est pas alimenté.	1. Assurez-vous que le cordon d'alimentation est branché convenablement sur une prise standard de 120 V. Assurez-vous ensuite que l'appareil est mis sous tension.
2. E1 s'affiche sur le panneau de commande avec un bip sonore.	2. Le capteur de surchauffe est engagé.	2. Débrancher l'unité, attendre 5 à 10 minutes, le capteur se réinitialisera par lui-même. Rebrancher l'unité et mettre l'appareil en marche. Si le problème persiste, contacter le service à la clientèle.
3. E2 s'affiche sur le panneau de contrôle.	3. Le détecteur du thermostat est brisé ou ne fonctionne pas correctement.	3. Débrancher l'unité, attendre 5 à 10 minutes, le capteur se réinitialisera par lui-même. Rebrancher l'unité et mettre l'appareil en marche. Si le problème persiste, contacter le service à la clientèle.
4. E3 s'affiche sur le panneau de contrôle.	4. Fonction Verrouillage est activée.	4. Pour désactiver la fonction verrouillage, tenir le bouton POWER pour 10 secondes.
5. Le moteur du ventilateur continue de fonctionner après la mise hors tension de l'appareil.	5. Fonctionnement normal.	5. Ceci est une fonction standard; le ventilateur fonctionne pendant un 20 secondes additionnelle pour s'assurer que la chaleur se disperse à l'intérieur de l'unité.
6. Le cordon d'alimentation est chaud au toucher.	6. Fonctionnement normal.	6. Cela est normal pour un radiateur; cet appareil utilise beaucoup d'énergie pour fonctionner. Vérifiez les raccords du cordon de l'appareil et de la prise. Assurez-vous que la fiche est fermement insérée dans la prise. Lors de l'utilisation, vérifiez la fiche et la prise fréquemment afin de déterminer si elles sont chaudes. Si c'est le cas, cessez d'utiliser l'appareil et faites appel à un électricien qualifié afin qu'il vérifie ou remplace les prises qui surchauffent.

QUESTIONS, PROBLÈMES OU PIÈCES MANQUANTES?
Contactez le service clientèle avant de le retourner au magasin