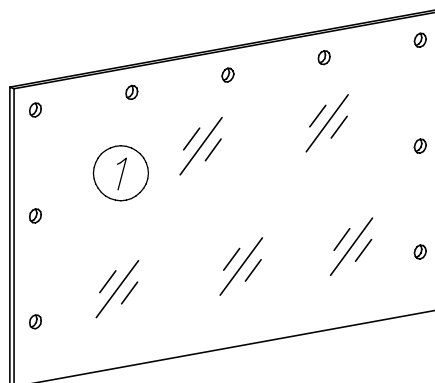
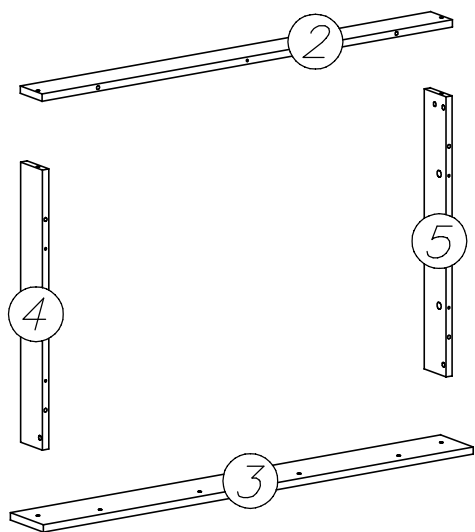
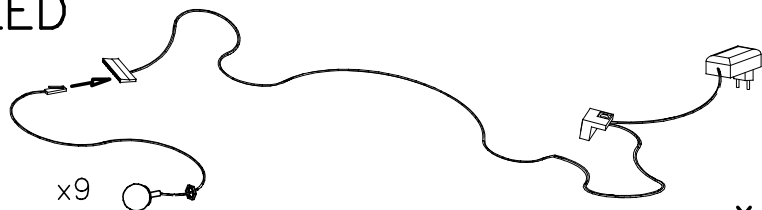


nr	L[mm]	B[mm]	T[mm]	Menge	Colli
1	1100	650	16	1	1/1
2	1055	79	16	1	1/1
3	1104	120	16	1	1/1
4	611	79	1	1/1	
5	611	79	16	1	1/1



LED



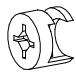
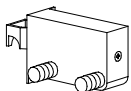
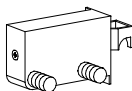


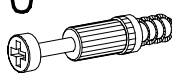

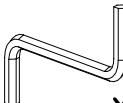


G3

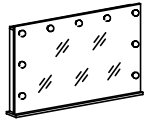


x...(1)

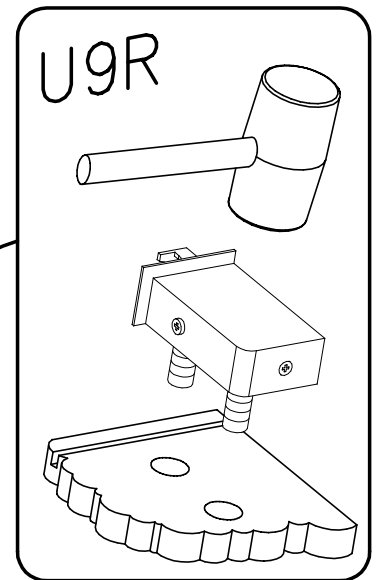
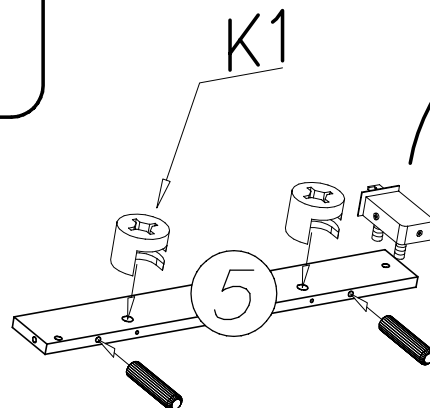
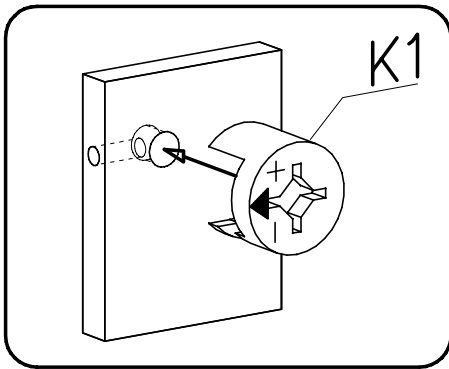
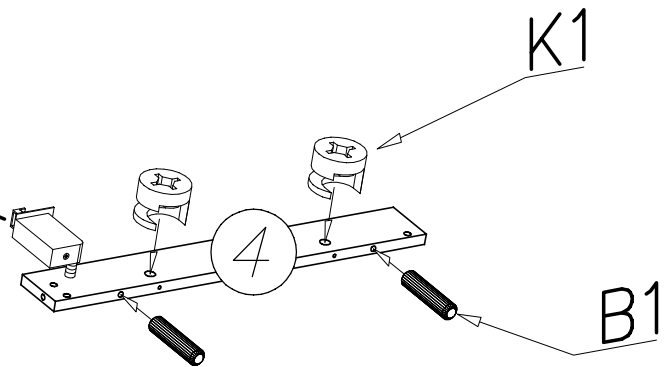
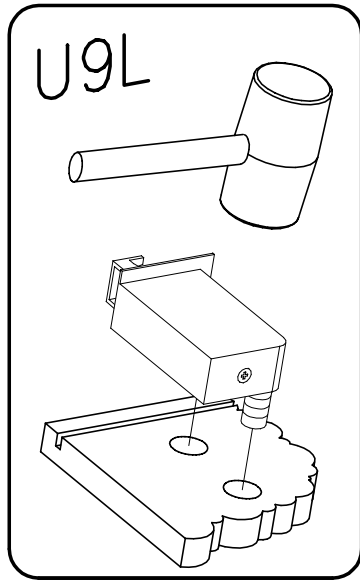
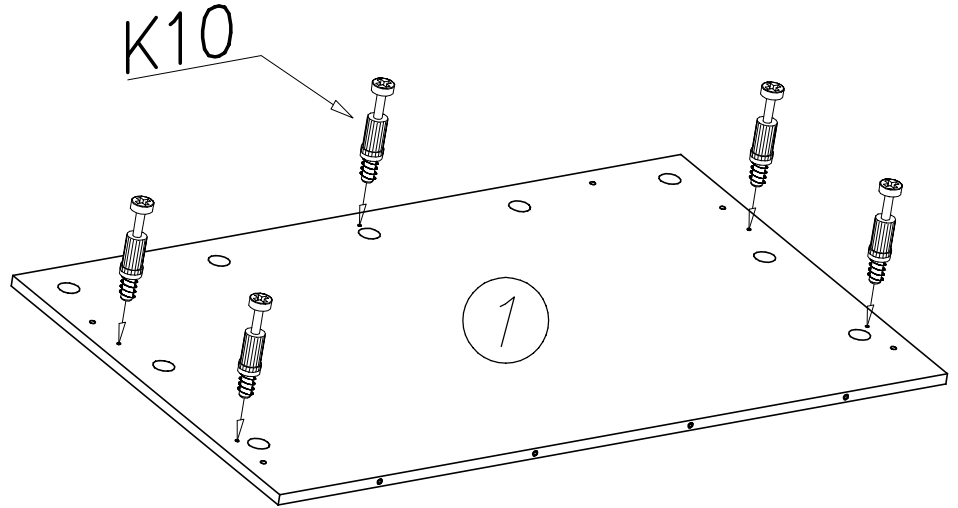
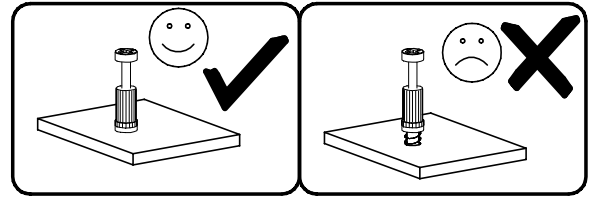
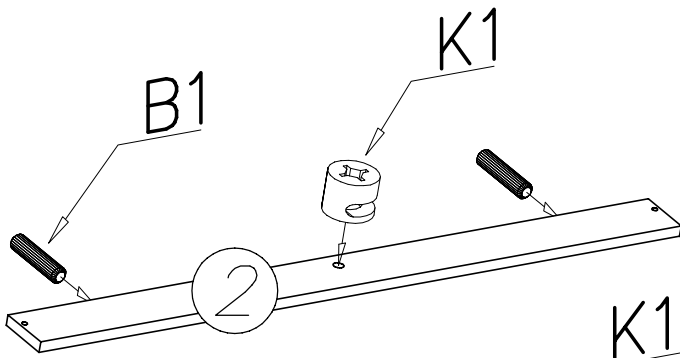
4x30

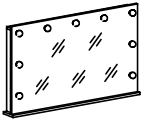
x...(2)

<p>K1</p>  <p>∅15x12 x...(5)</p>	<p>U9L</p>  <p>x...(1)</p>	<p>U9R</p>  <p>x...(1)</p>	<p>I7</p>  <p>∅18 x...(5)</p>	<p>I10</p>  <p>∅10 x...(1)</p>
<p>K10</p>  <p>x...(5)</p>	<p>B1</p>  <p>∅8x35 x...(6)</p>	<p>W2</p>  <p>x...(1)</p>	<p>A1</p>  <p>∅7x50 x...(8)</p>	<p>I9</p>  <p>∅12 x...(8)</p>

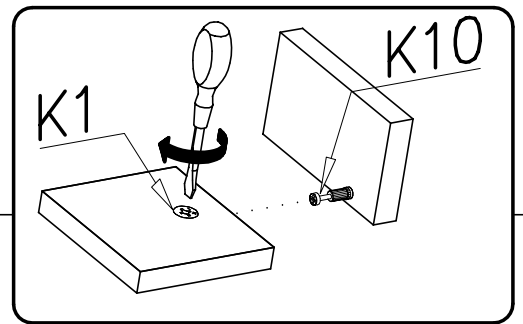
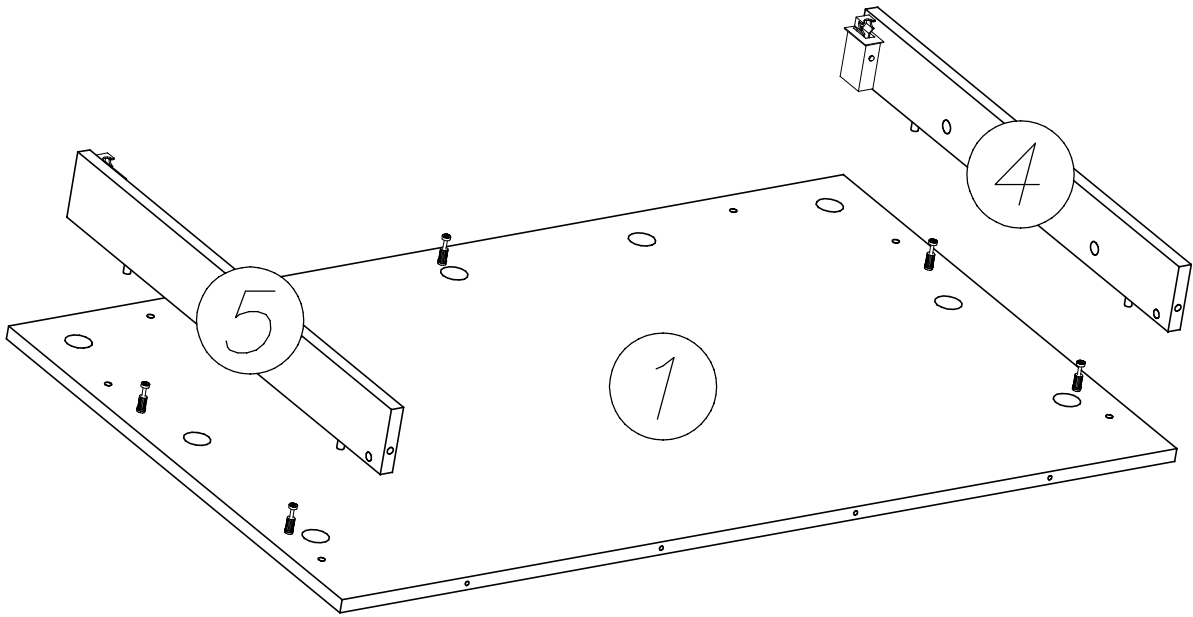


I

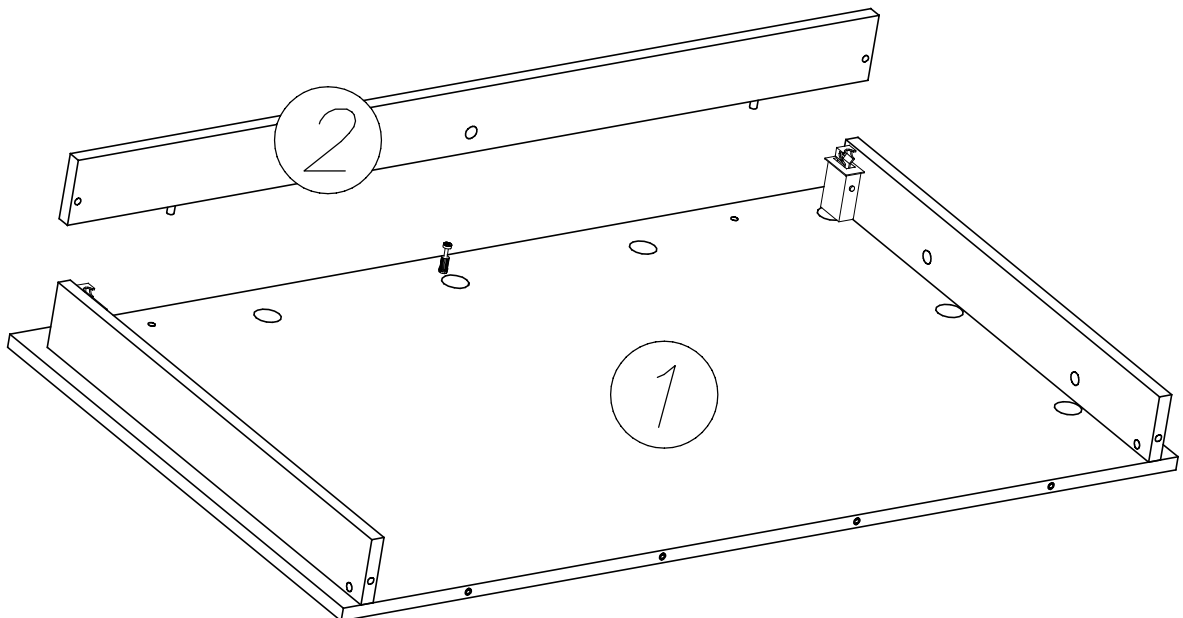


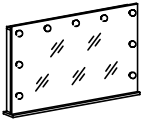


II

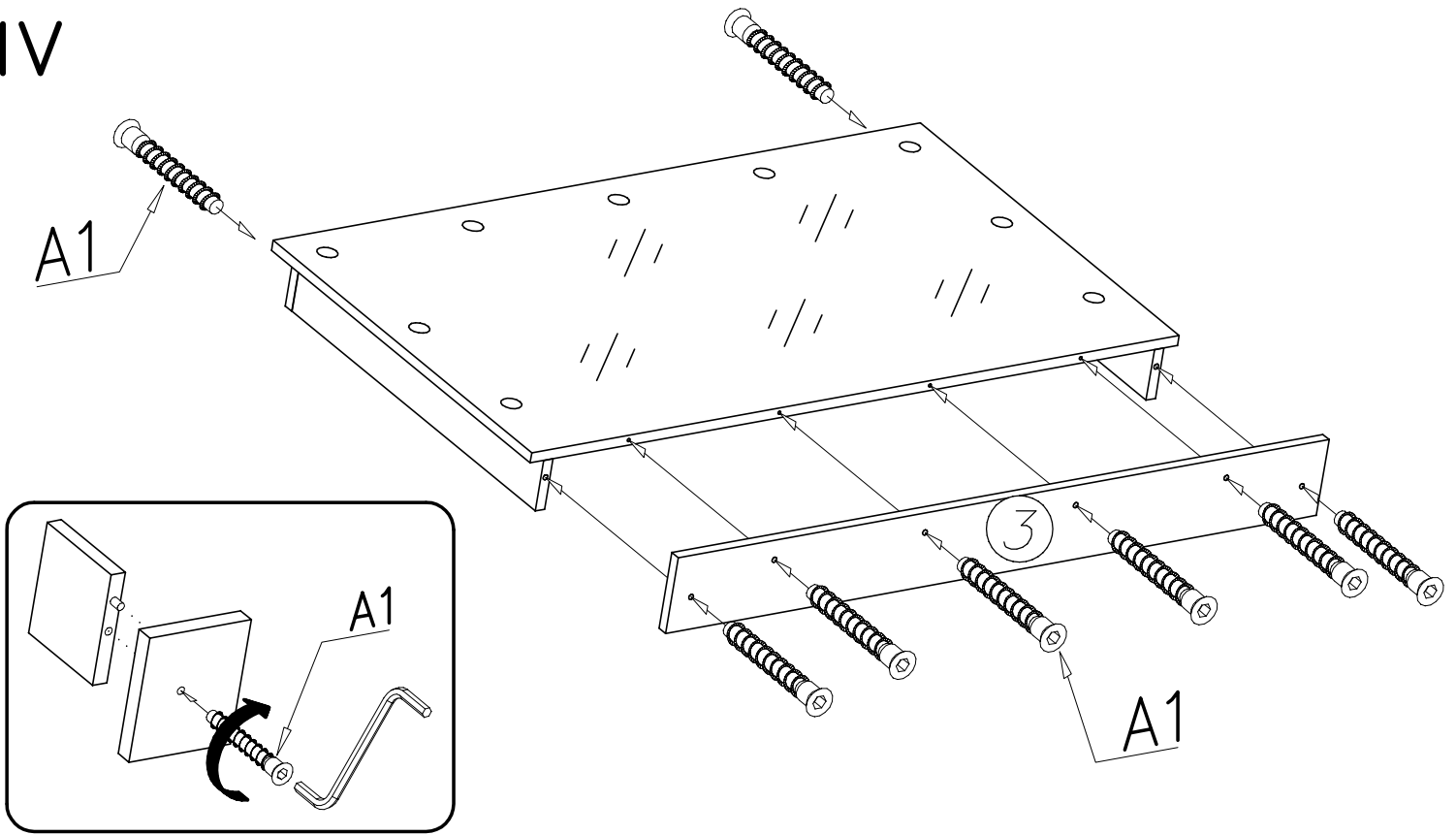


III

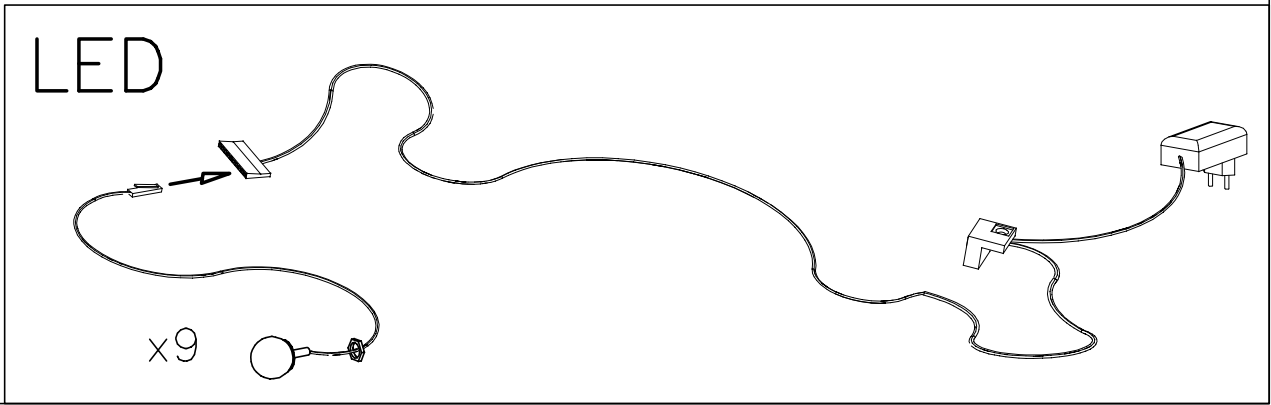
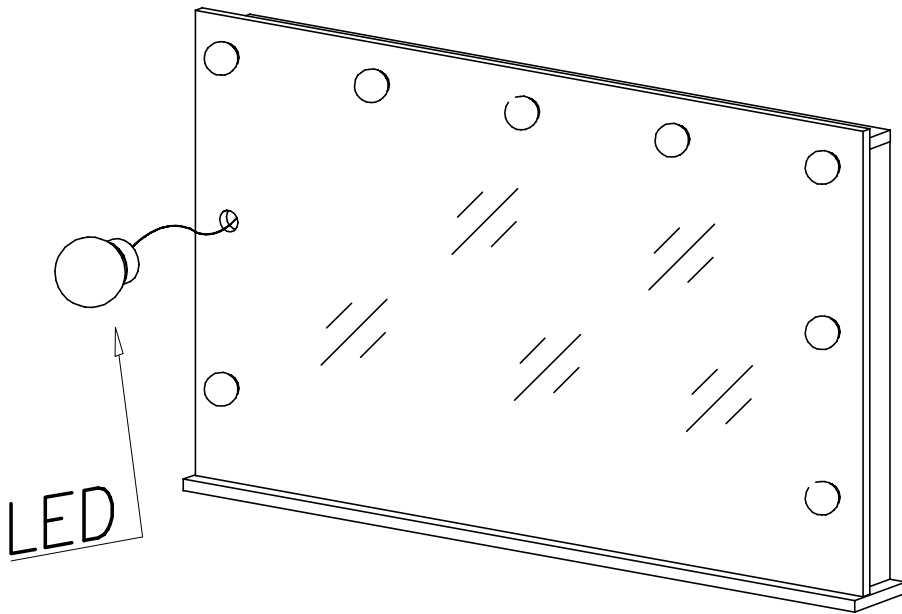


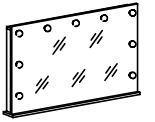


IV

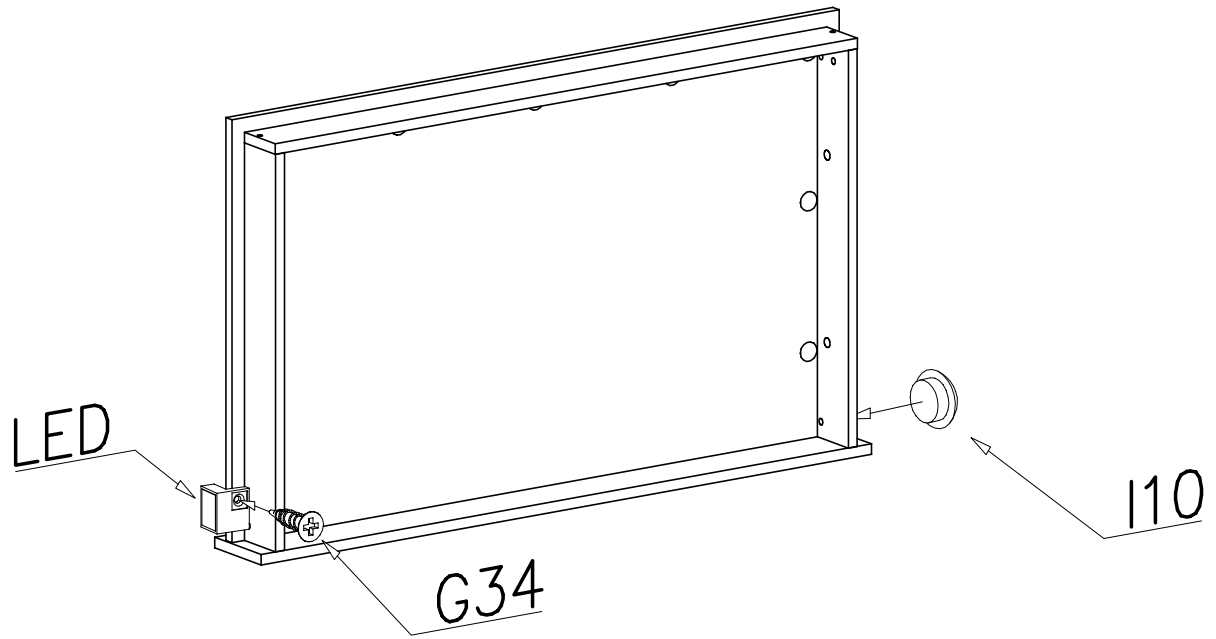


V



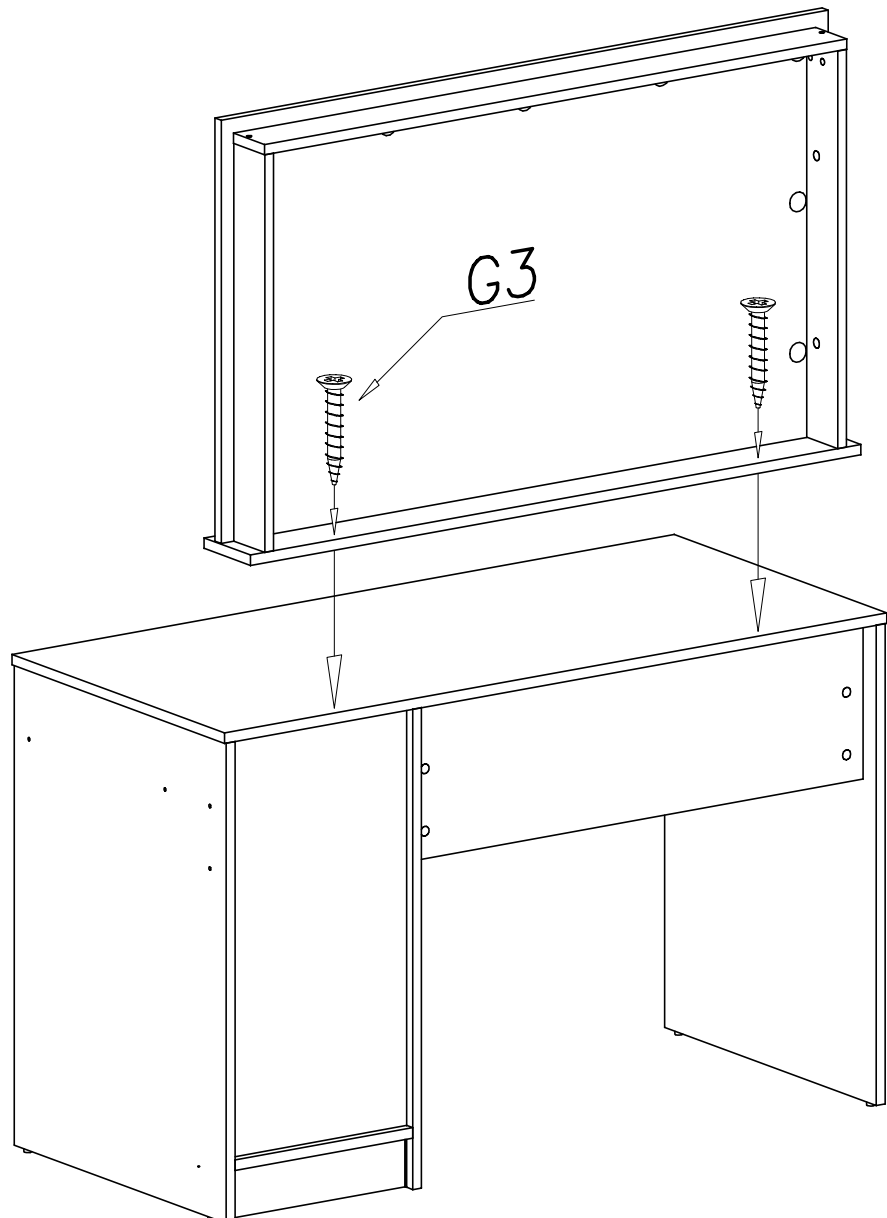
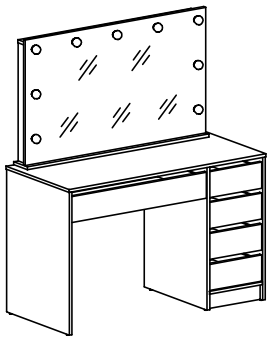


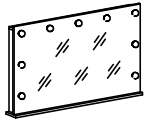
VI



VII

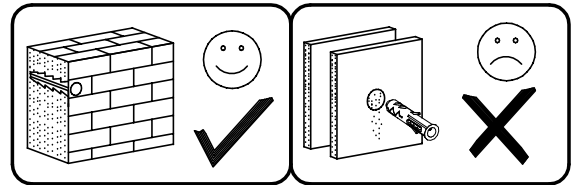
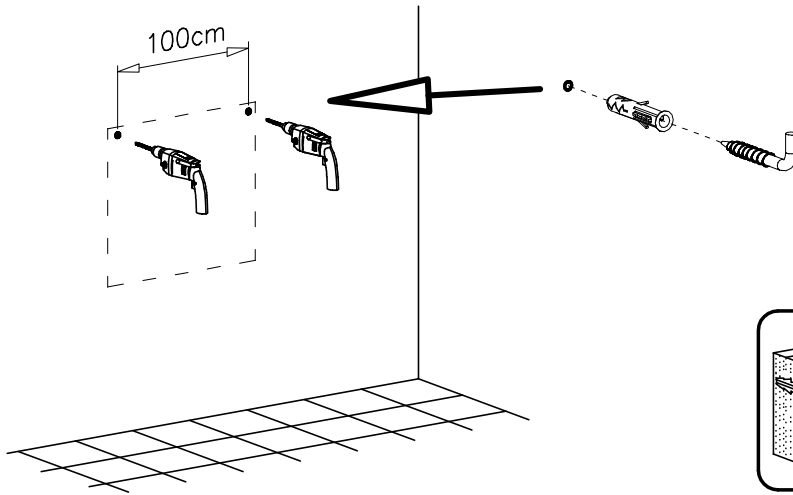
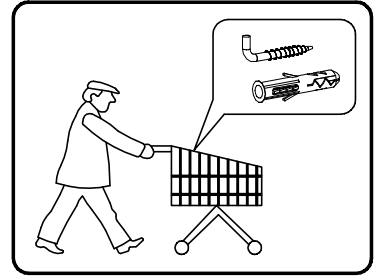
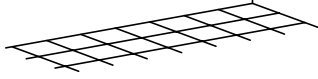
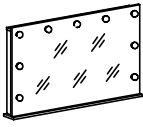
wersja A



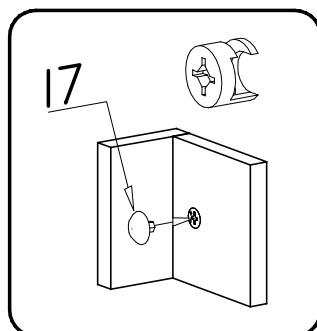
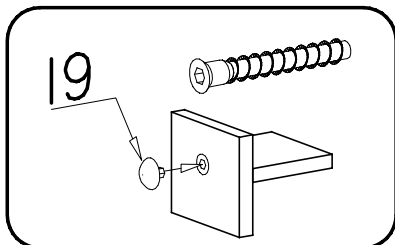
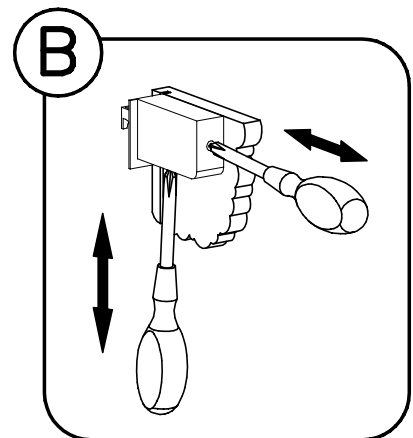
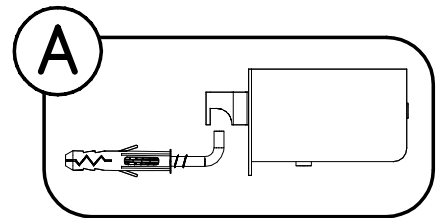
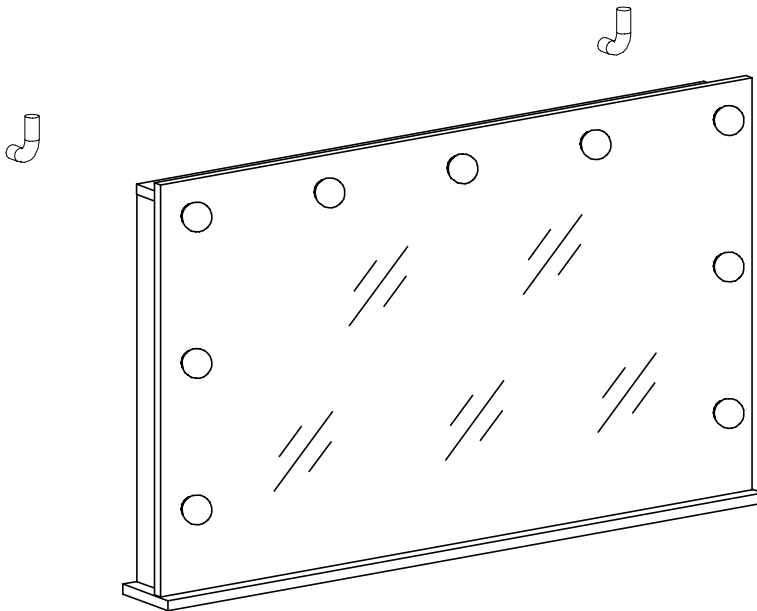


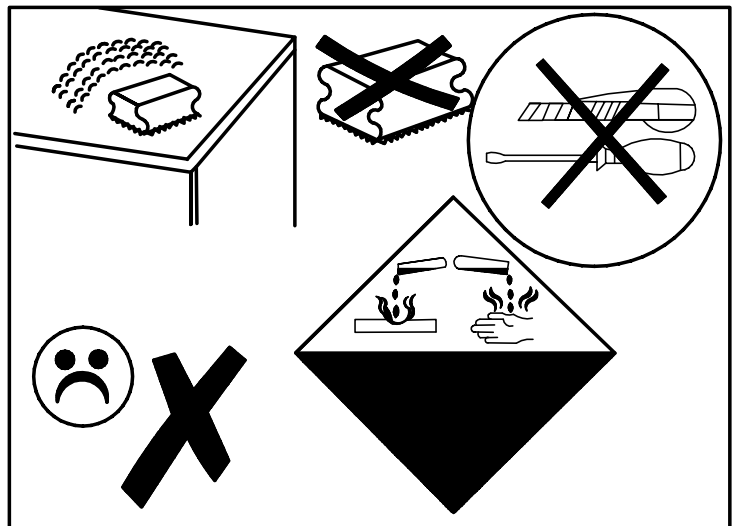
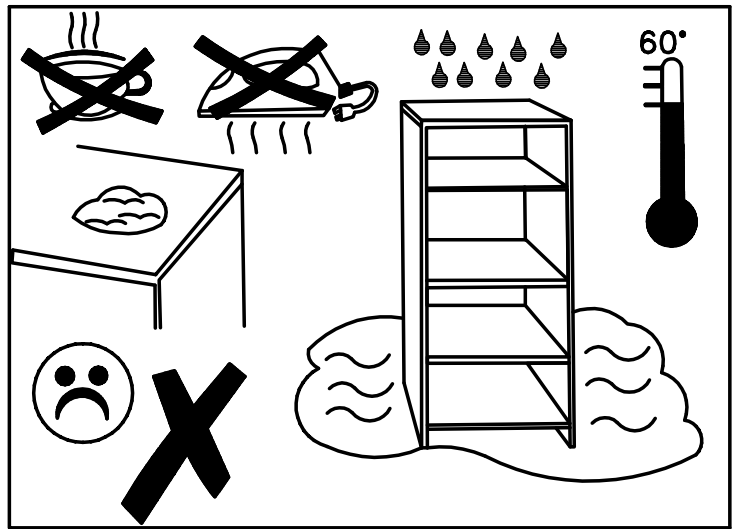
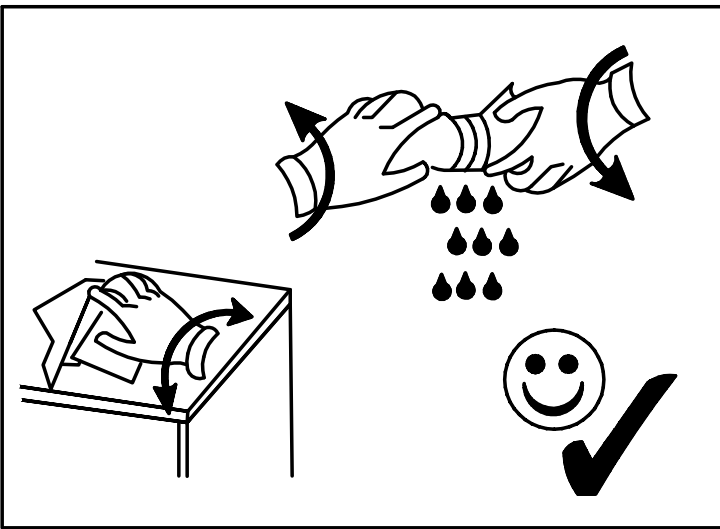
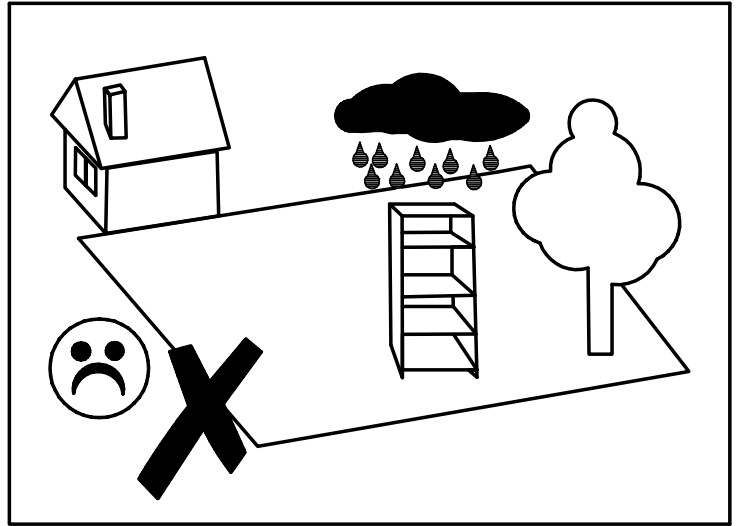
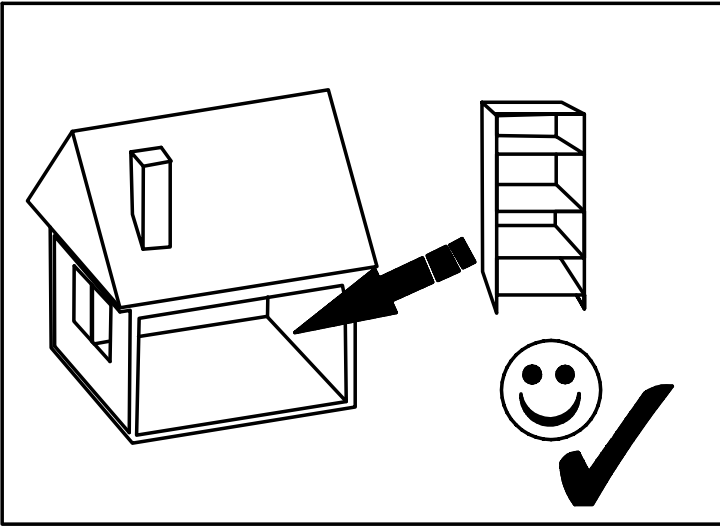
VIII

wersja B

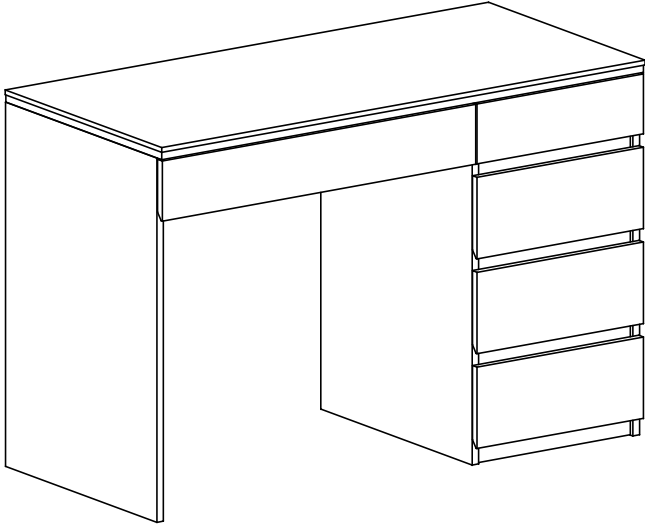


IX

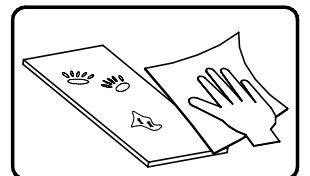
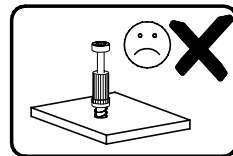
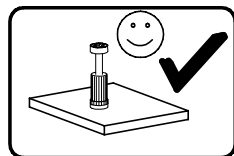
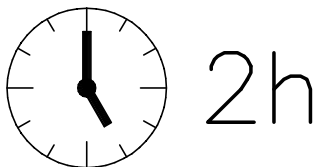
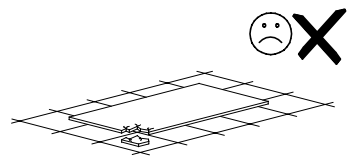
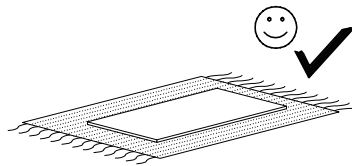
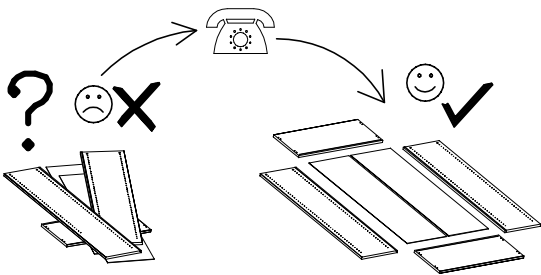
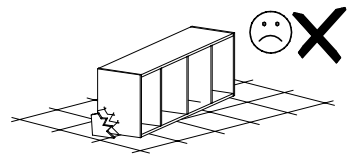
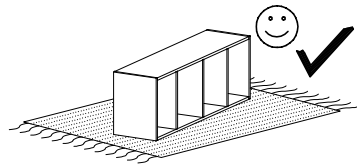
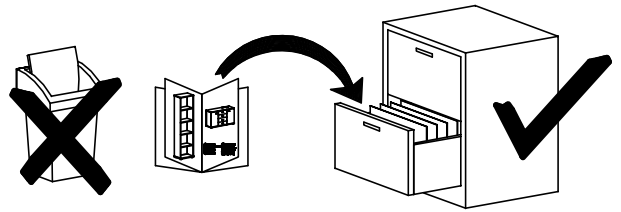
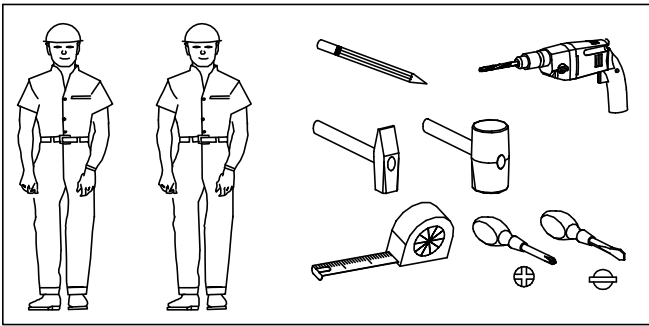
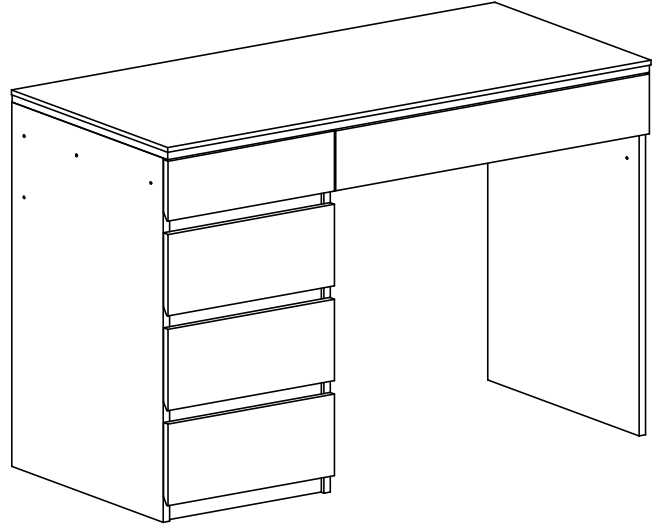


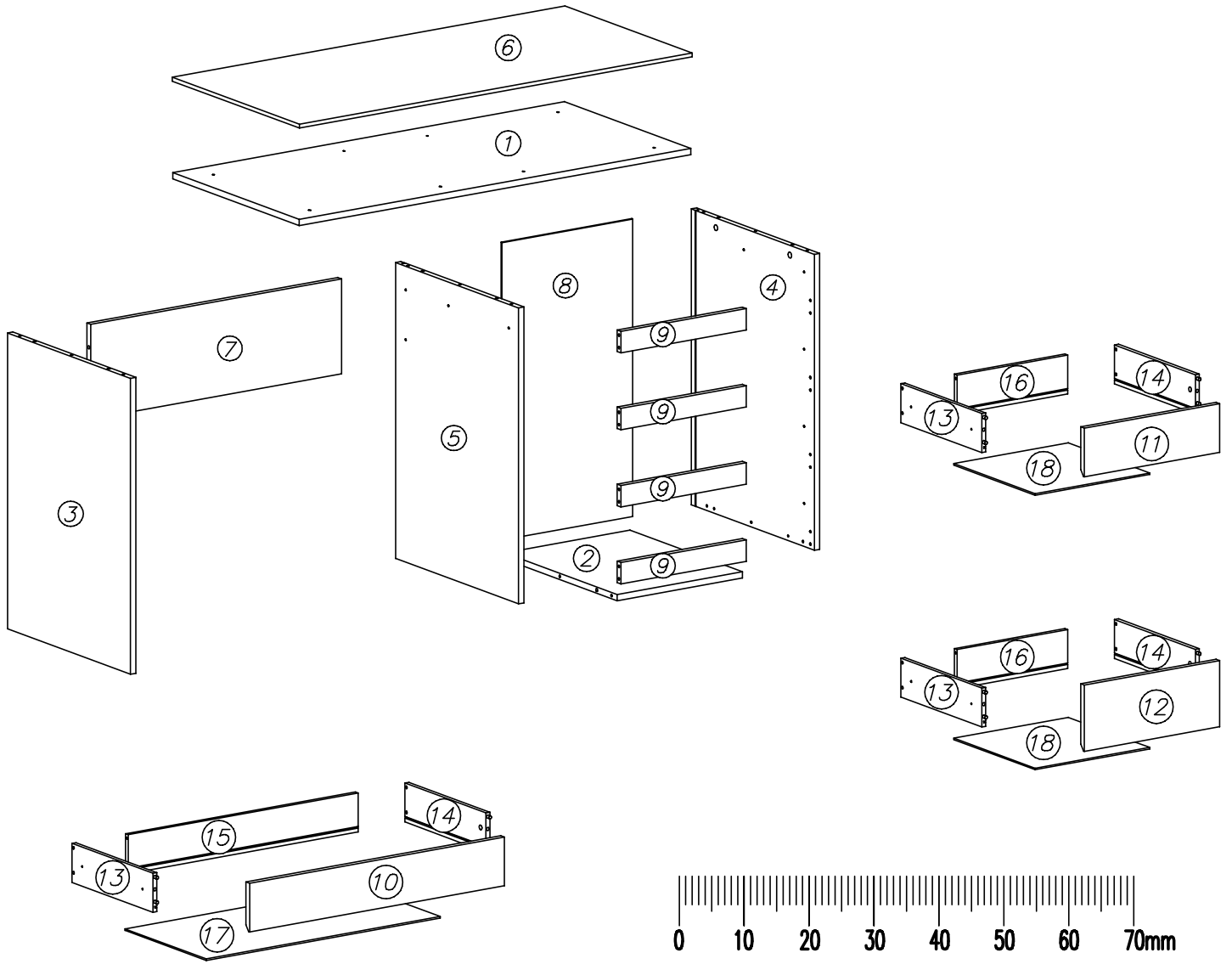
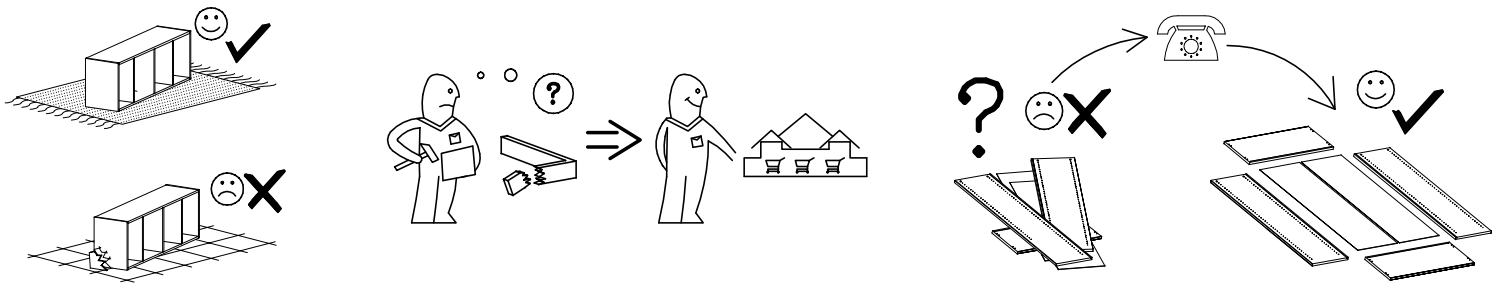


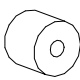
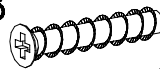




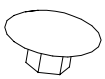
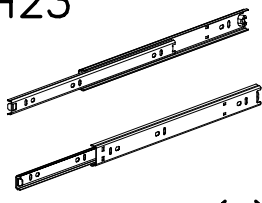


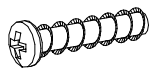
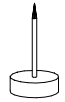
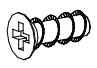
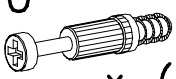
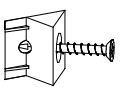
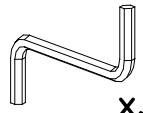


L



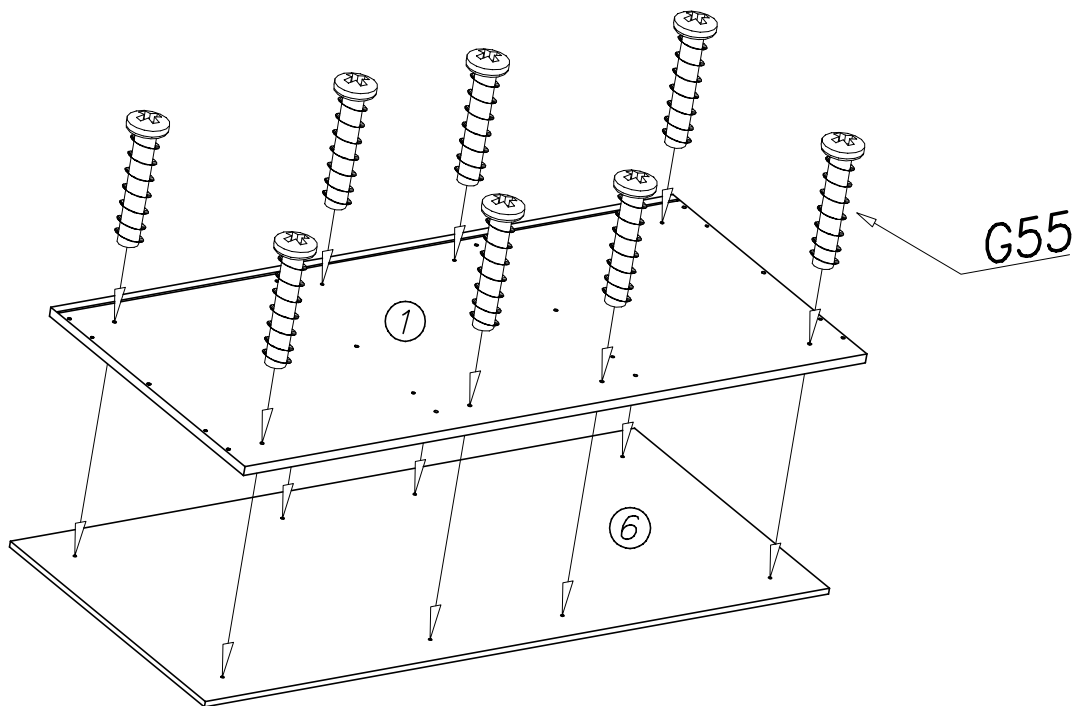
P



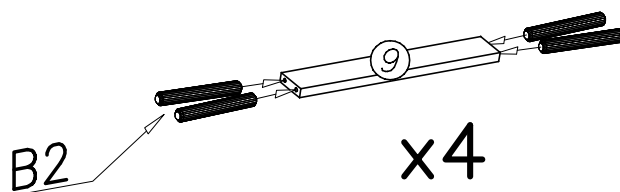
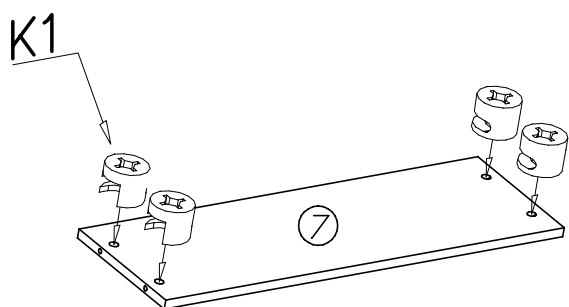
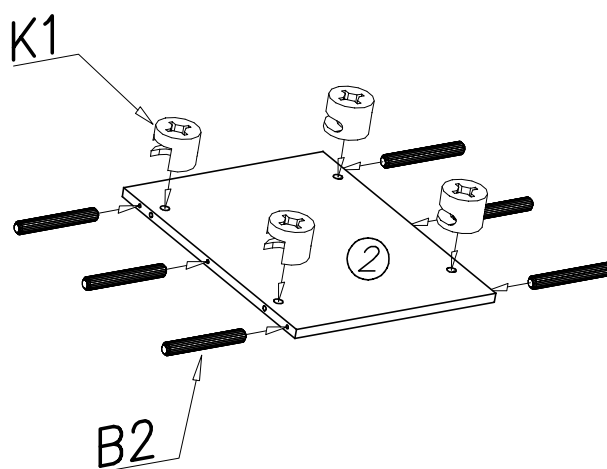
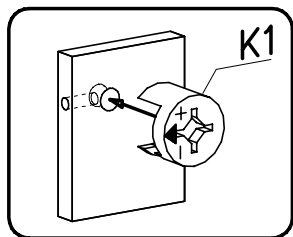
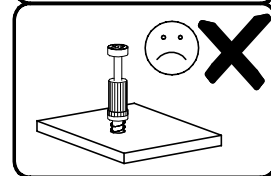
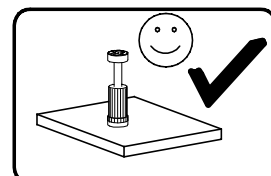
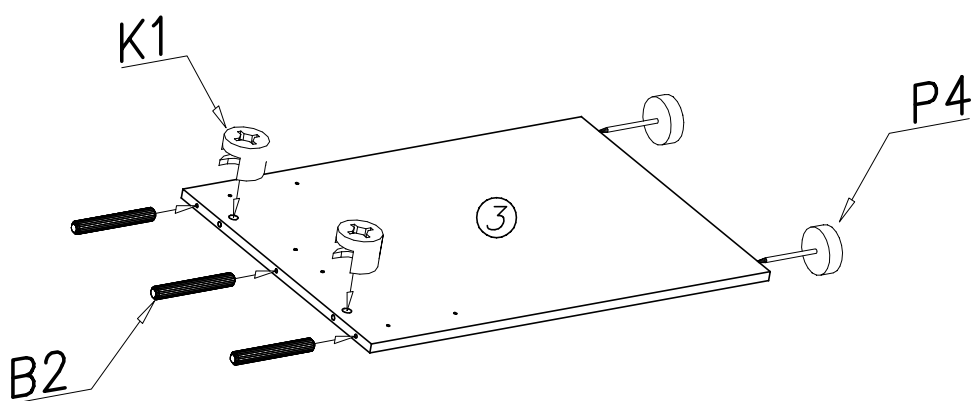


I27  18mm x...(2)	G58  6x32 x...(2)	A6  ø7x40 x...(20)	K4  ø12x10 x...(10)	G10  6x13 x...(18)
G34  3,5x16 x...(7)	I7  ø18 x...(18)	H23  H27-350mm x...(5)	M8  350mm x...(1)	
K1  ø15x12 x...(14)	G55  6x22 x...(8)		P4  x...(6)	G20  5x11 x...(20)
K10  x...(24)	I1  x...(5)	W2  x...(1)	I4  ø5 x...(5)	B2  ø6x35 x...(31)

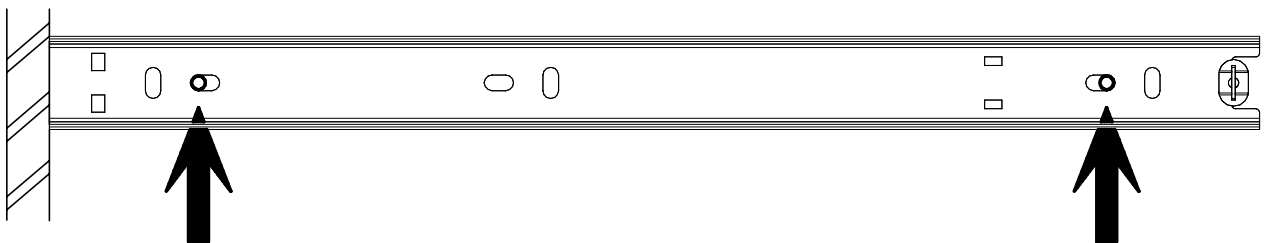
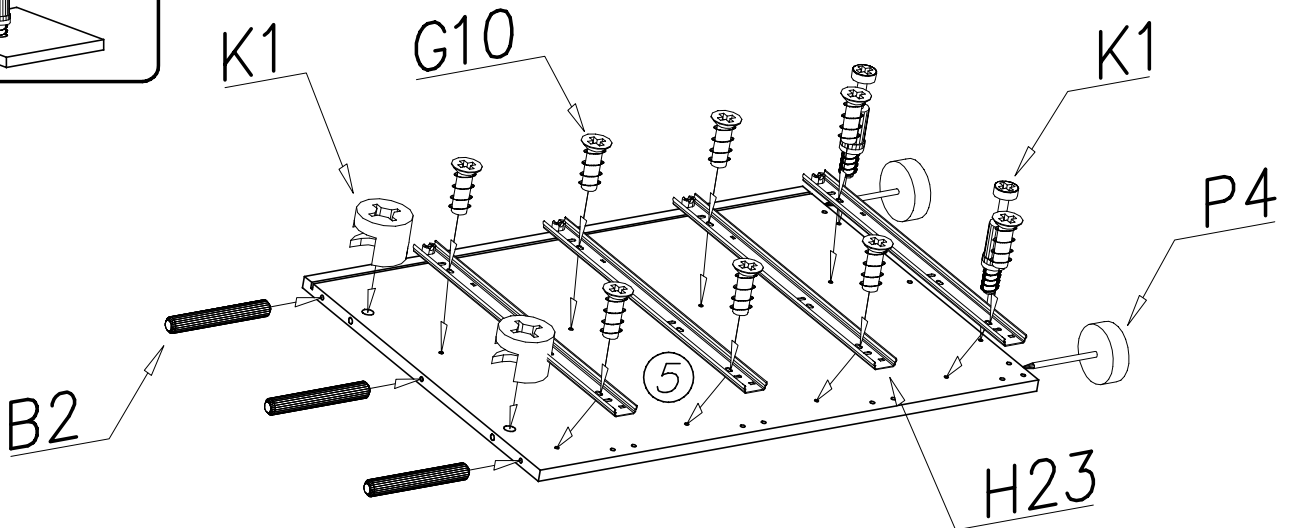
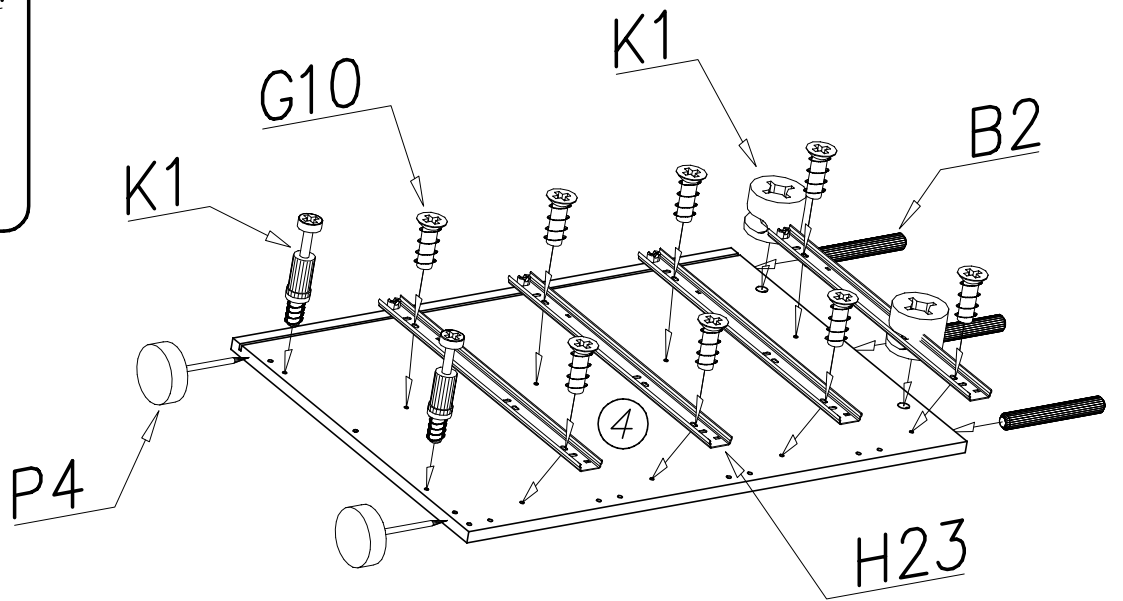
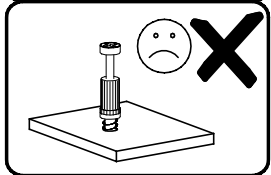
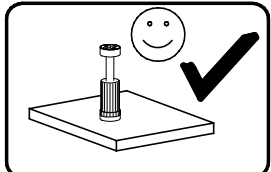
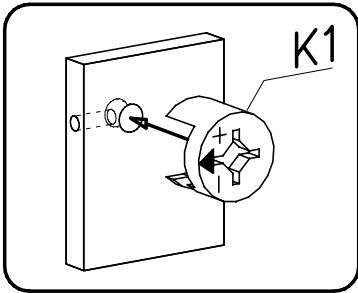
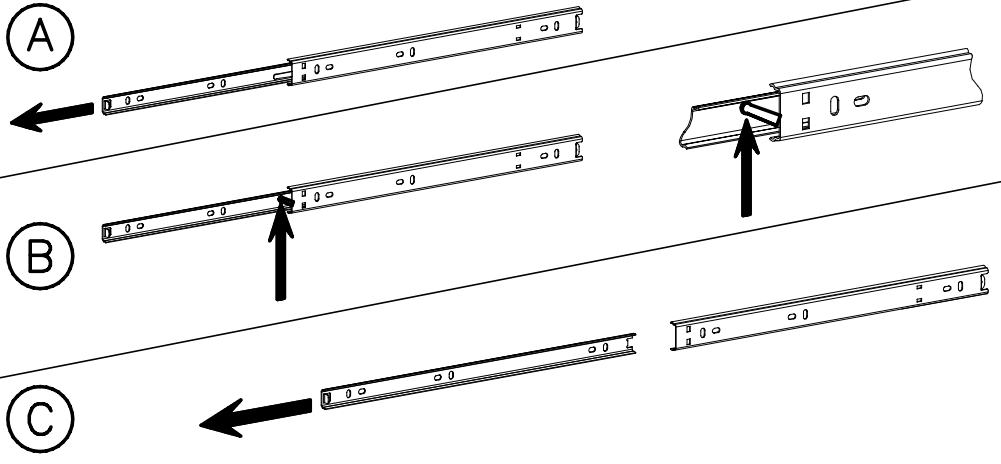
I



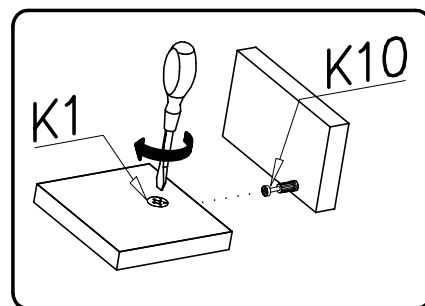
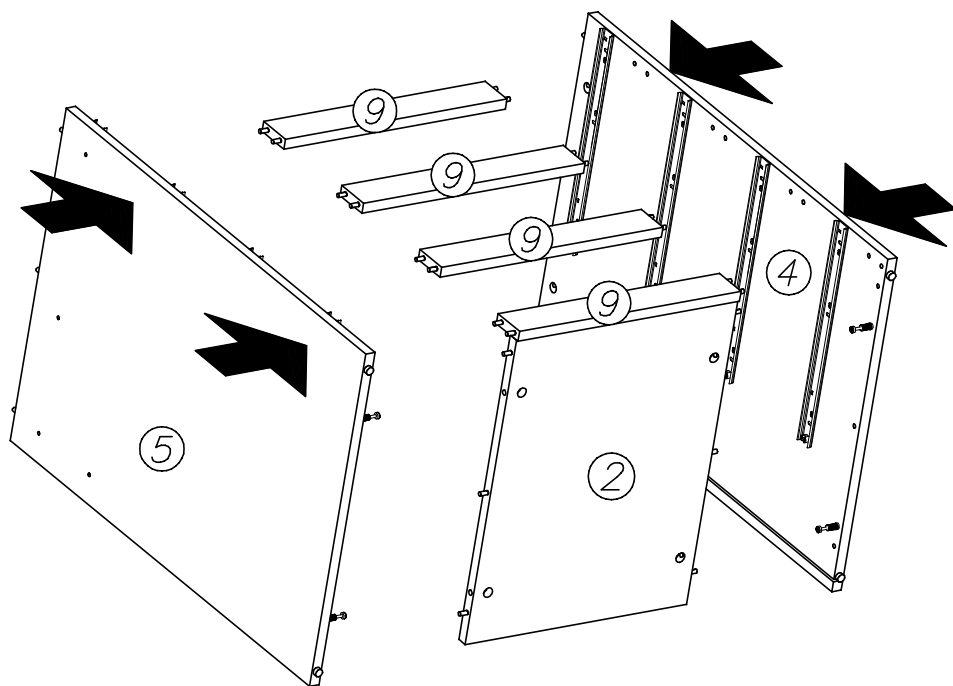
II



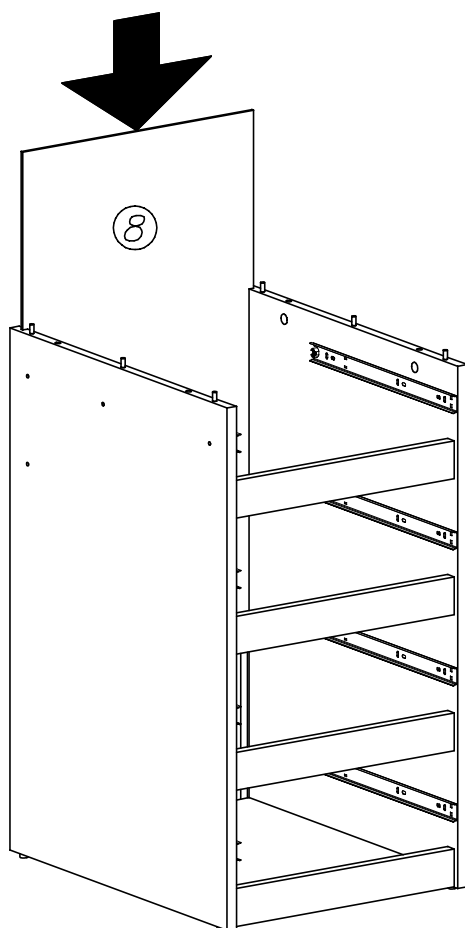
III

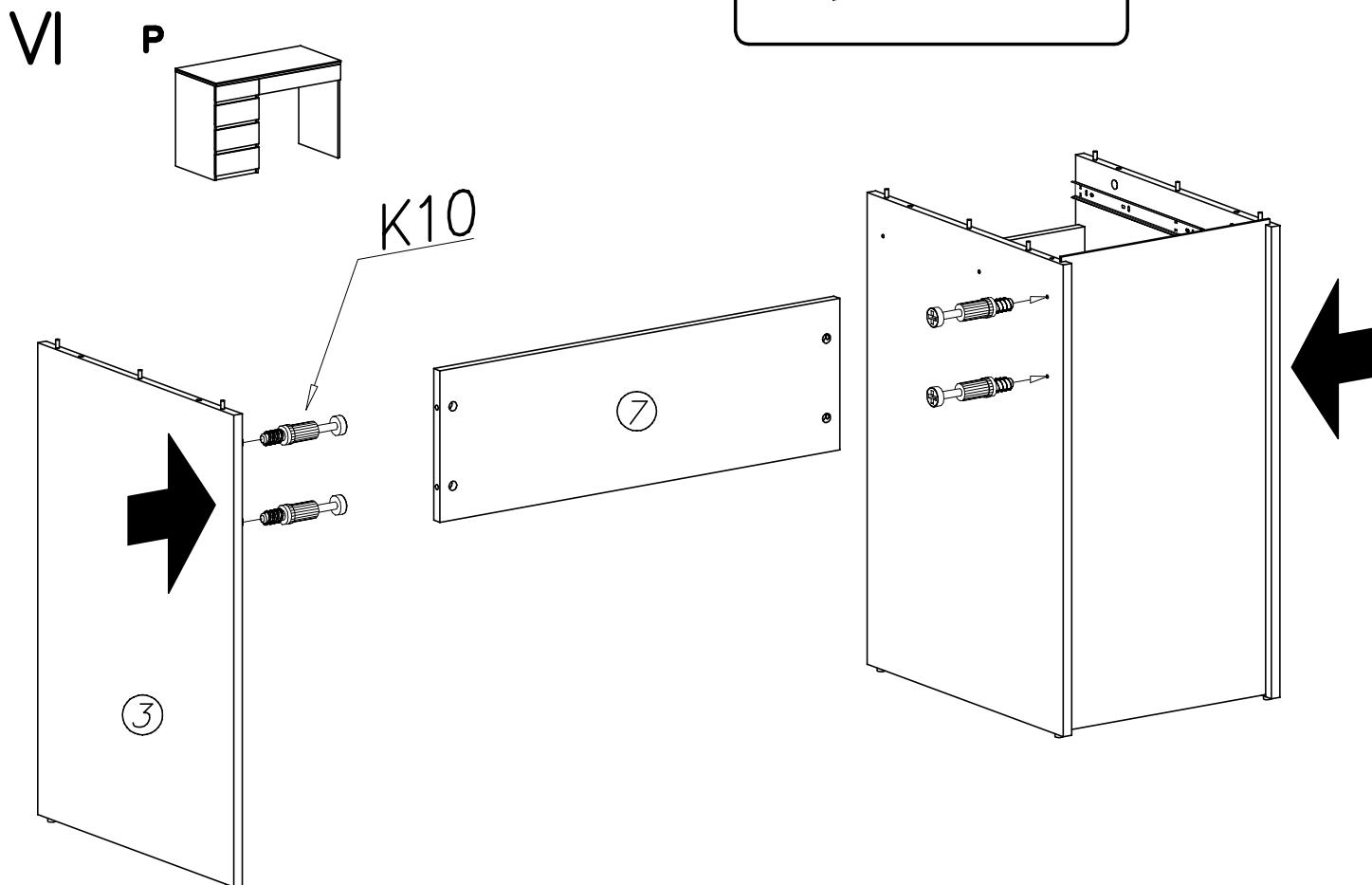
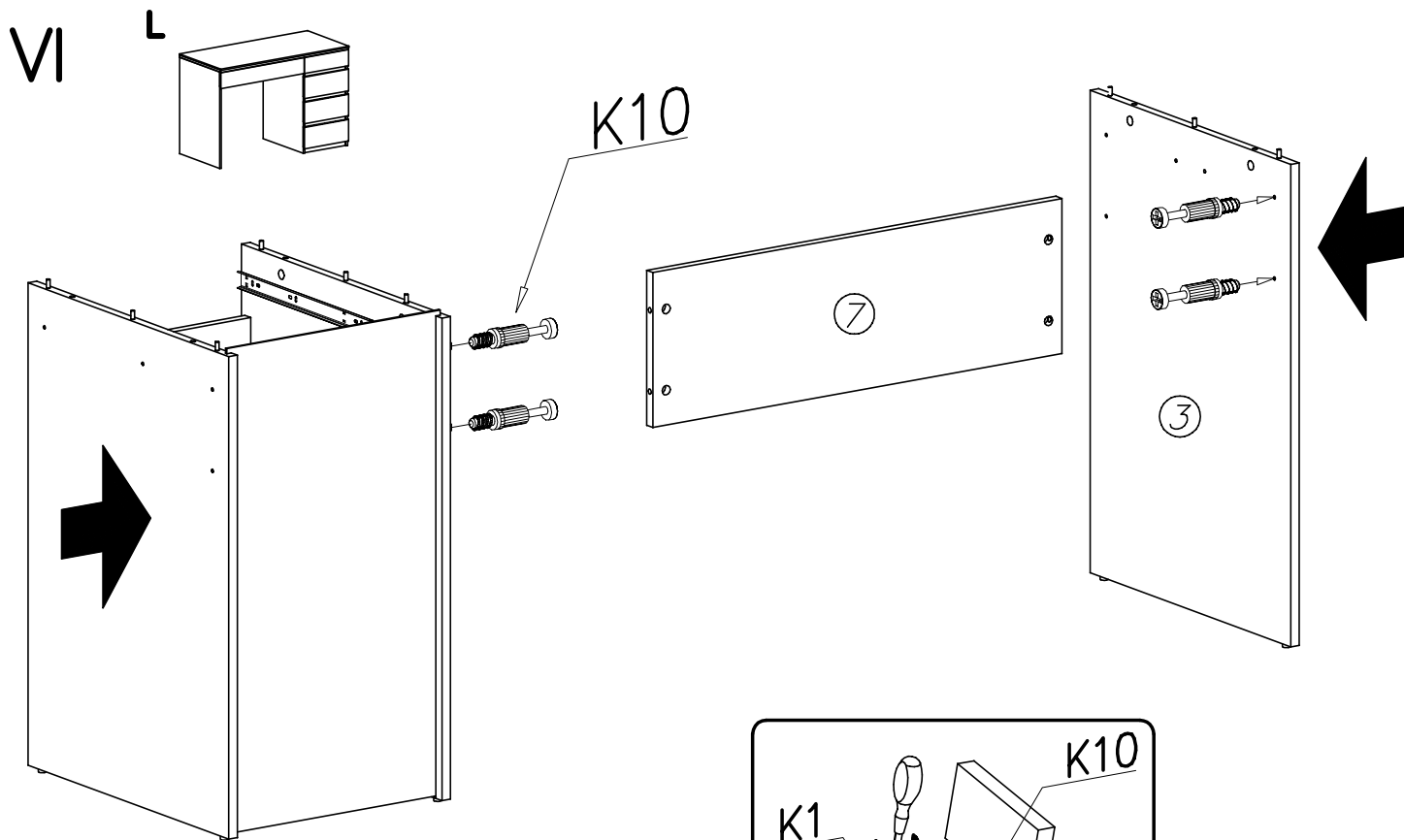


IV



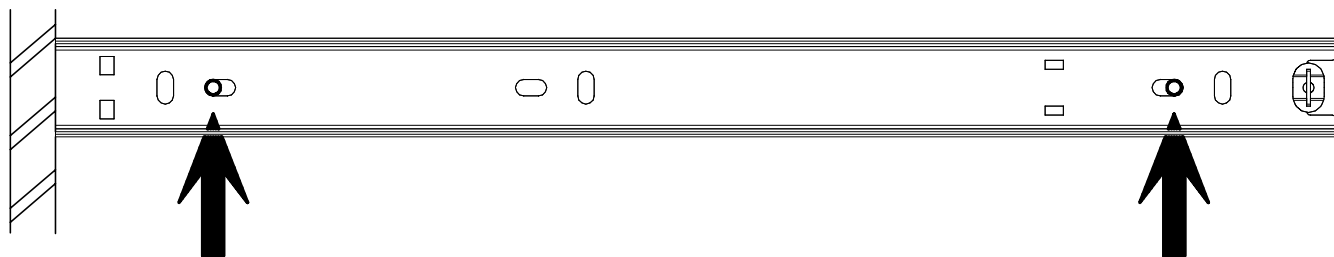
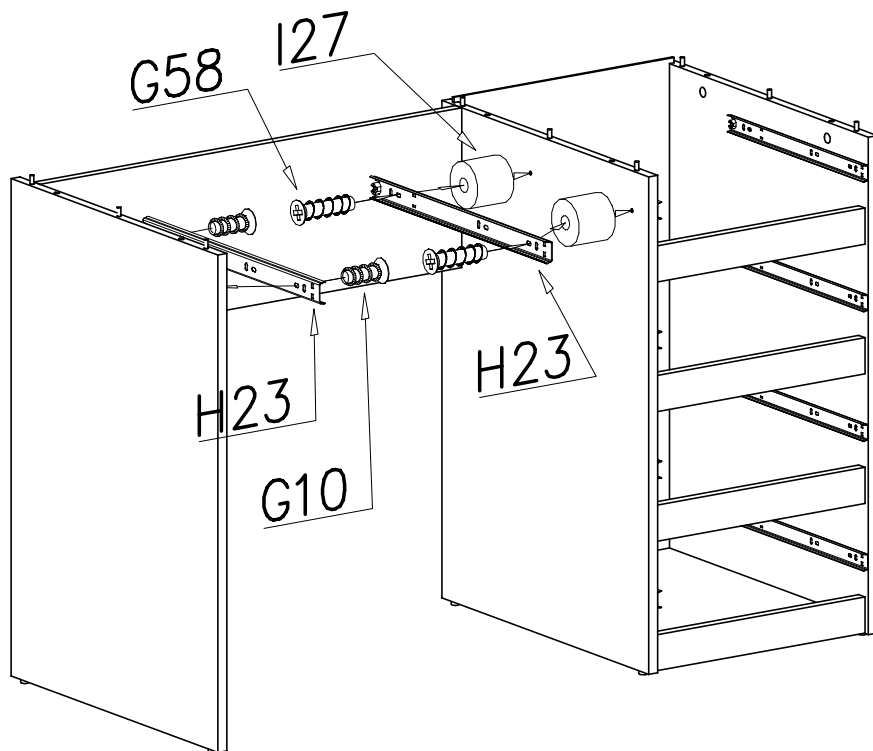
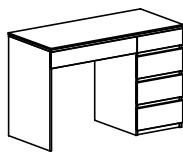
V





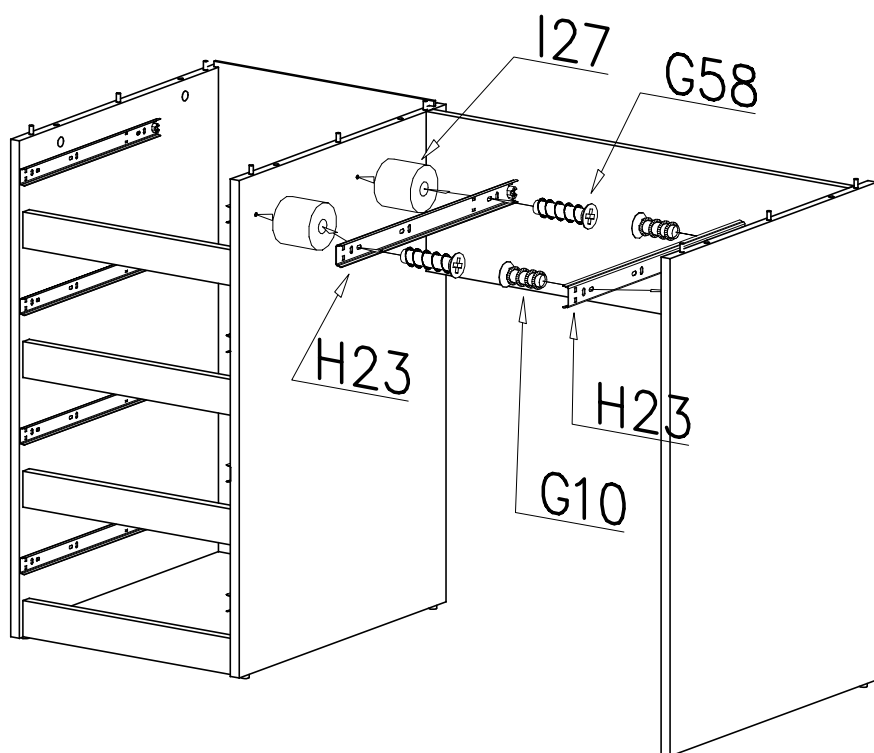
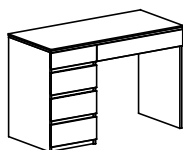
VII

L



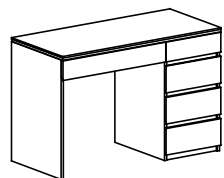
VII

P

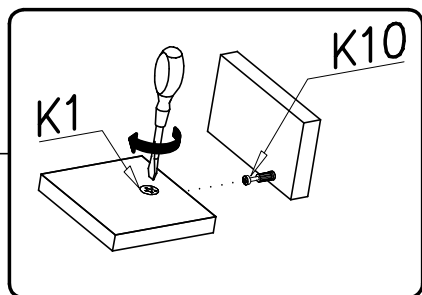
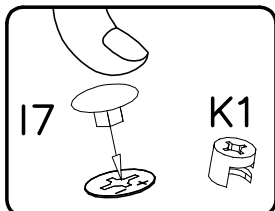
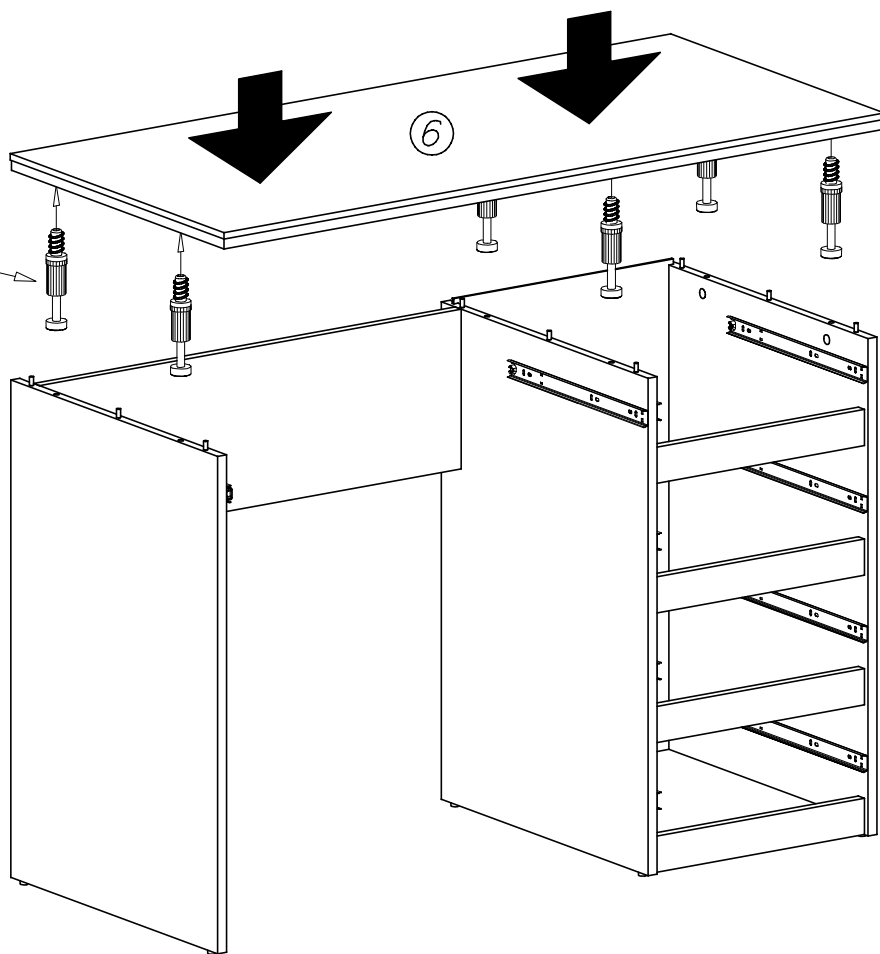


VIII

L

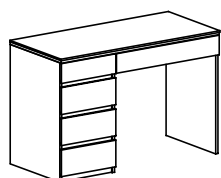


K10

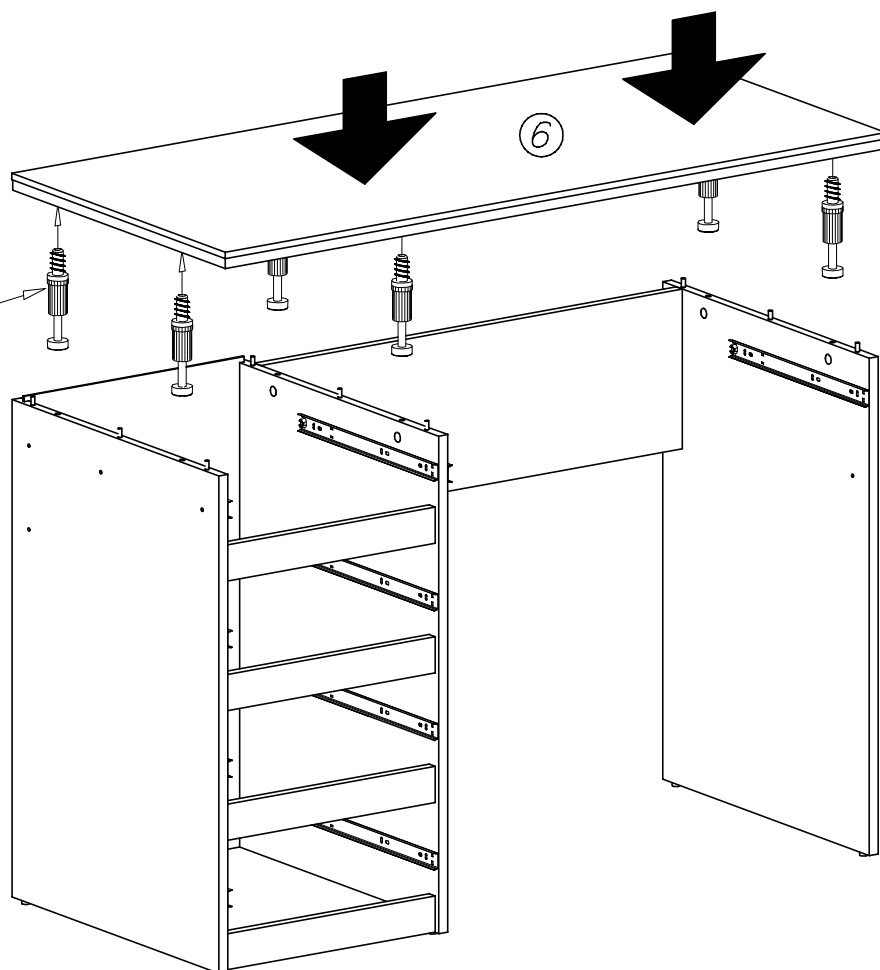


VIII

P

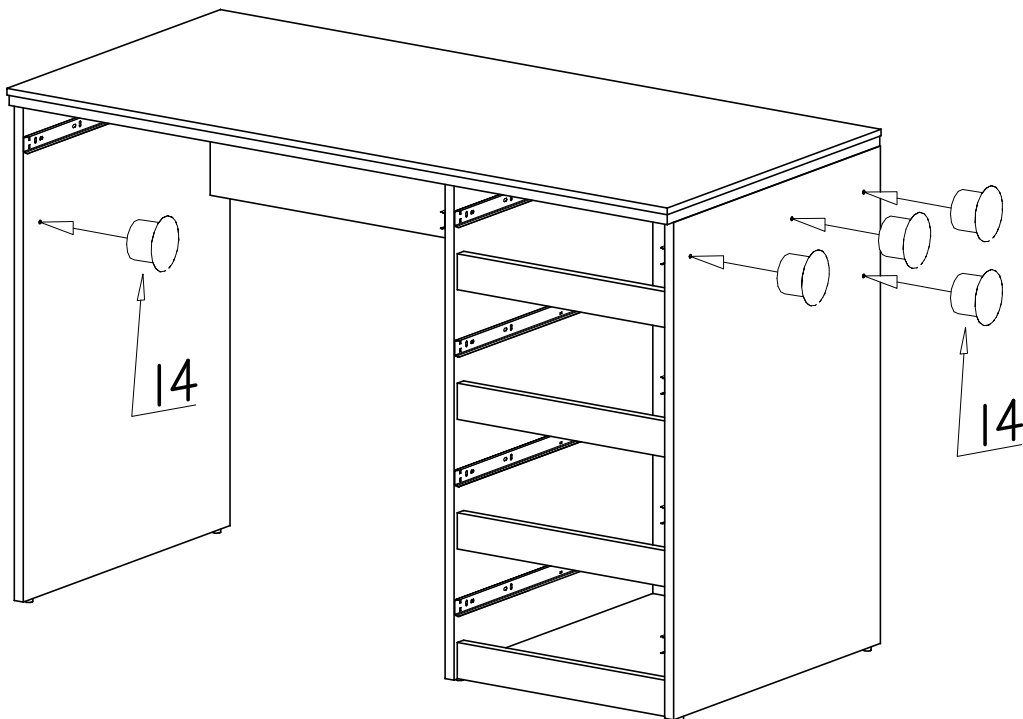
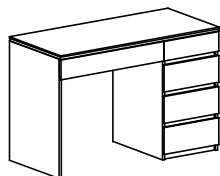


K10



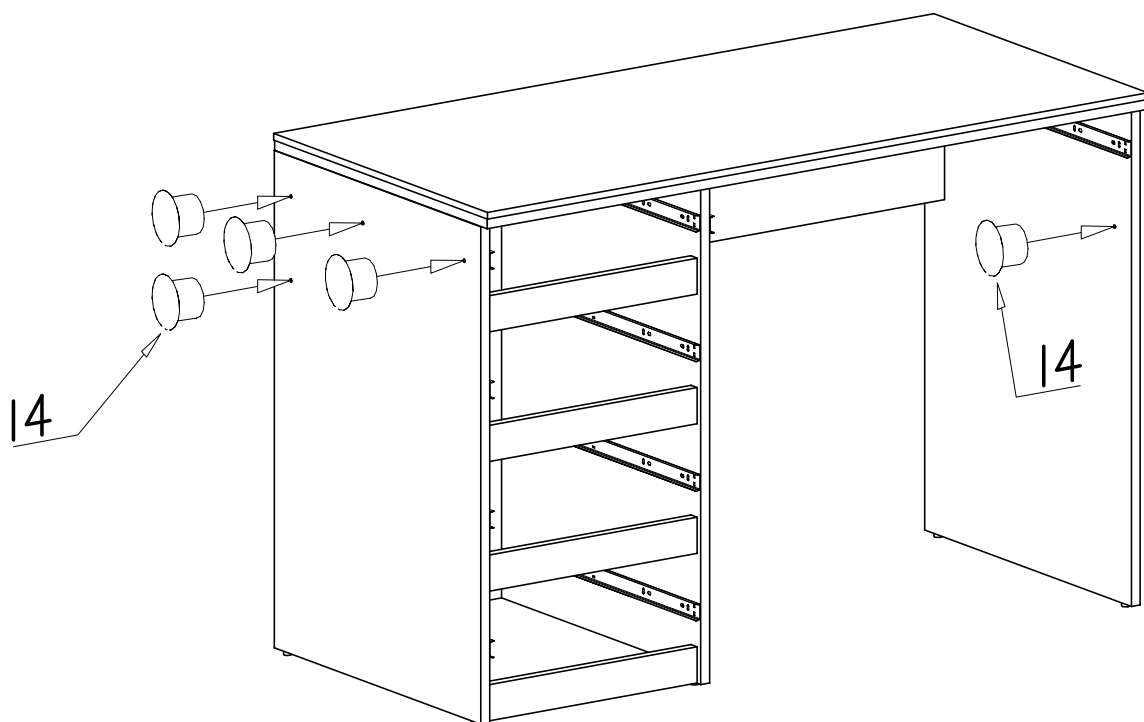
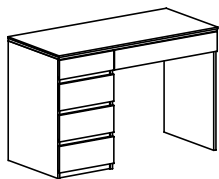
IX

L



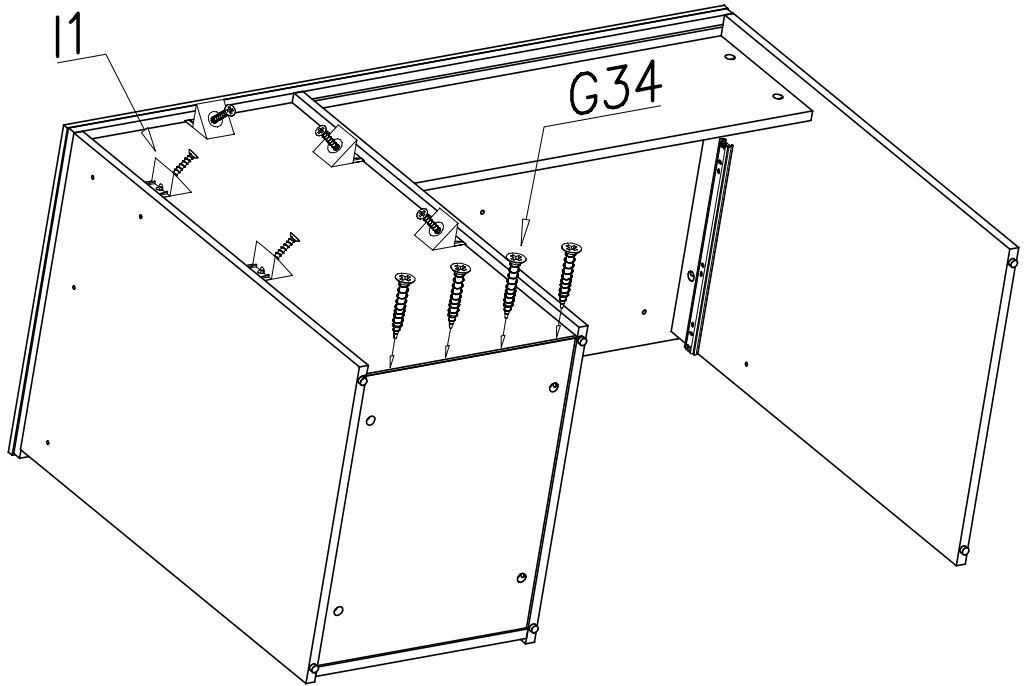
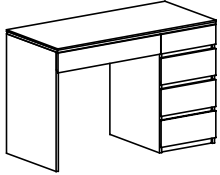
IX

P



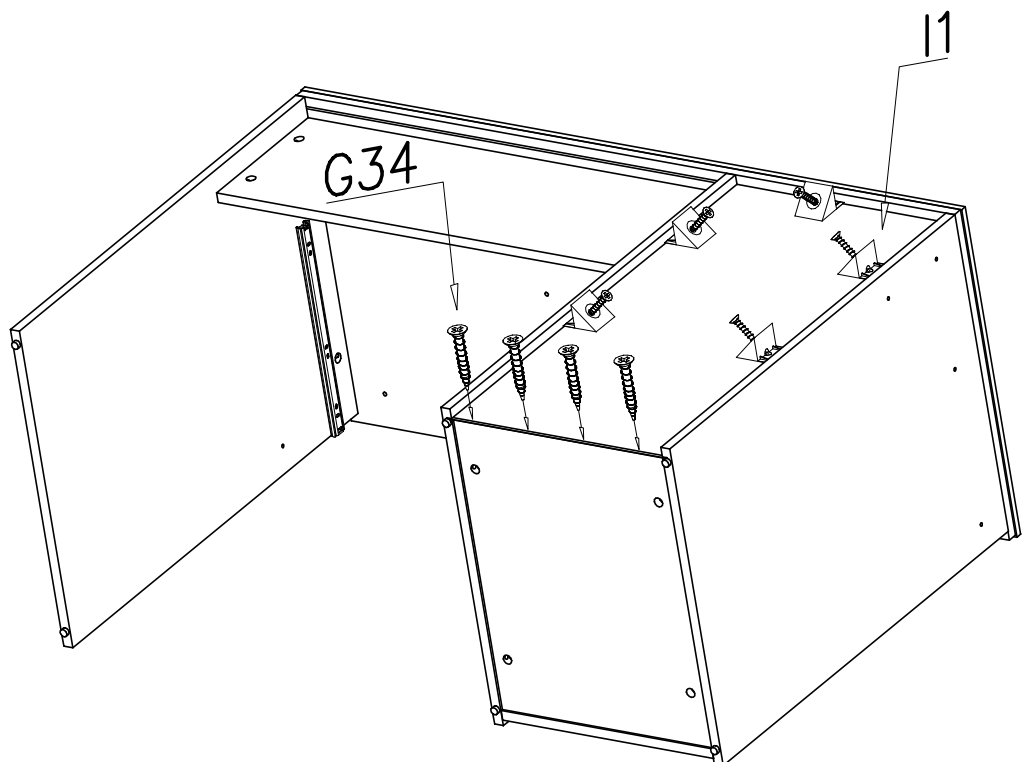
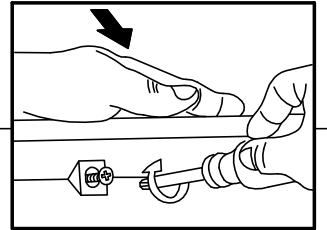
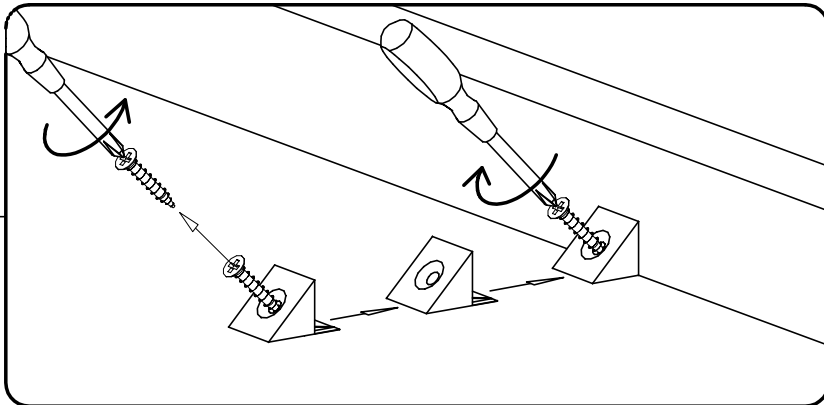
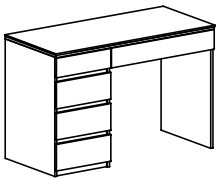
X

L

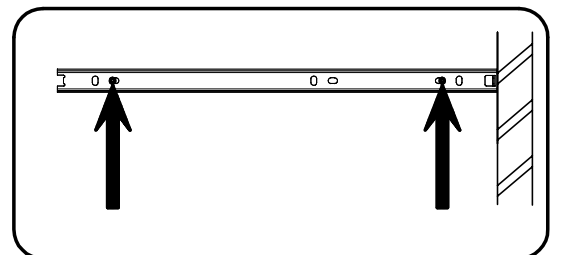
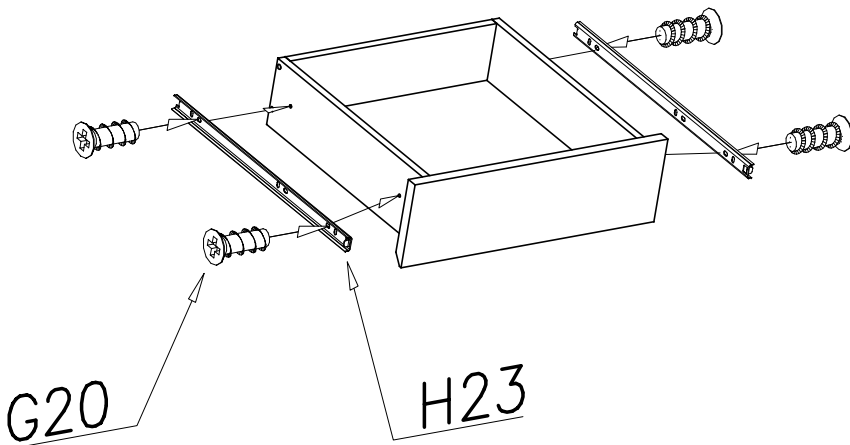
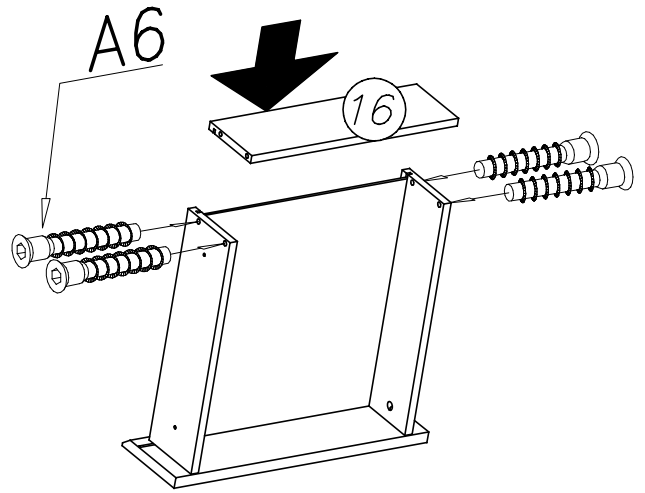
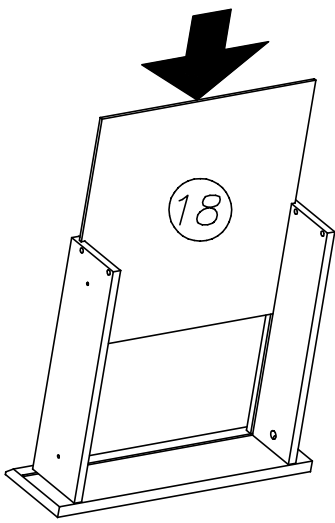
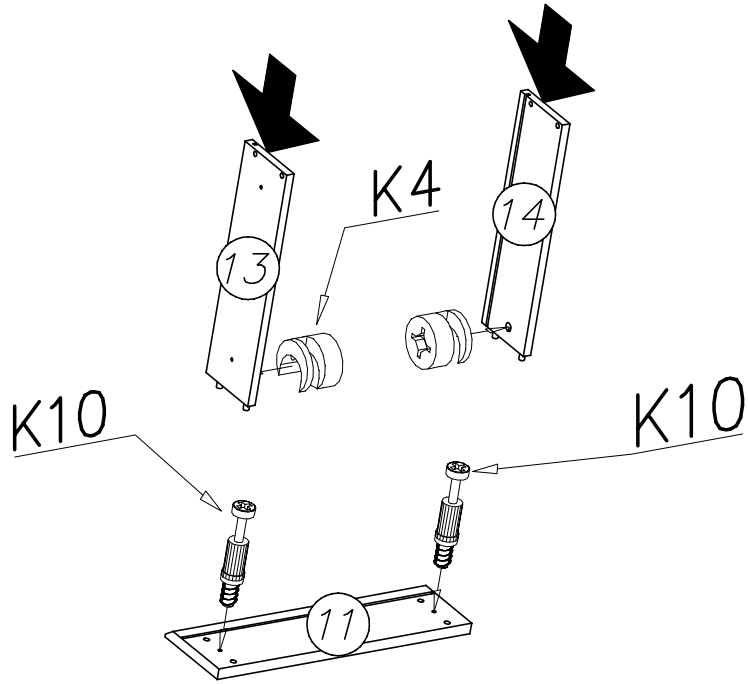


X

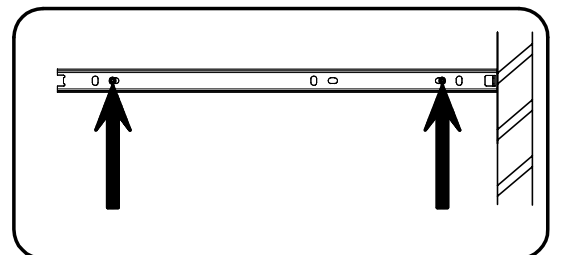
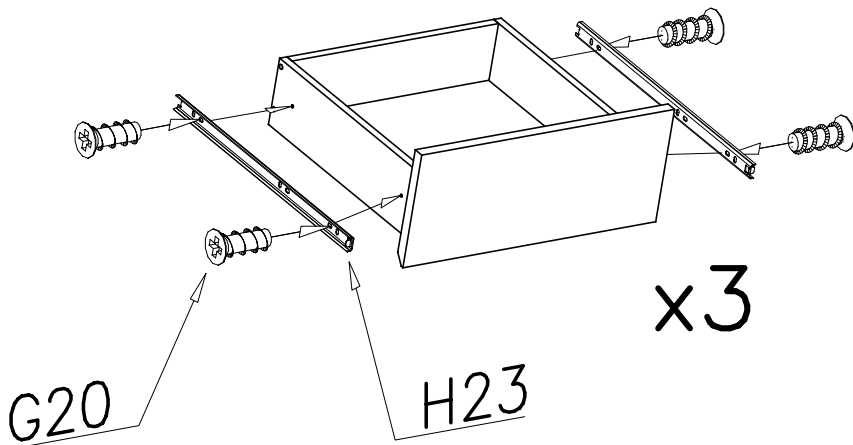
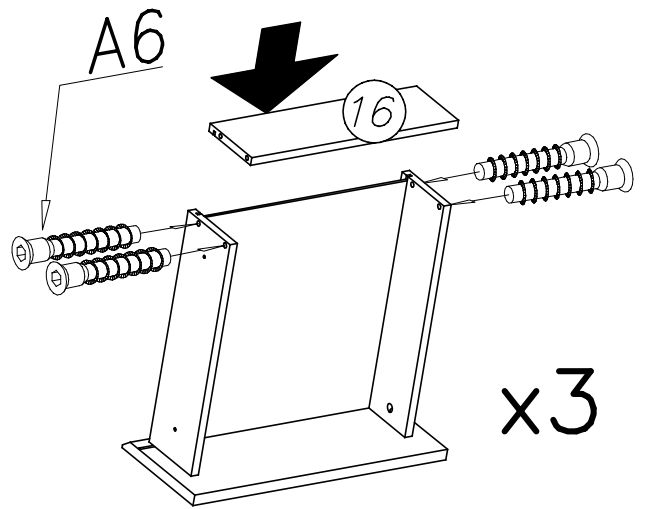
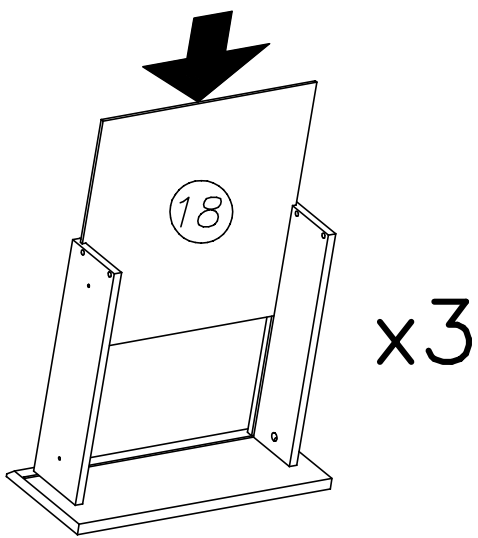
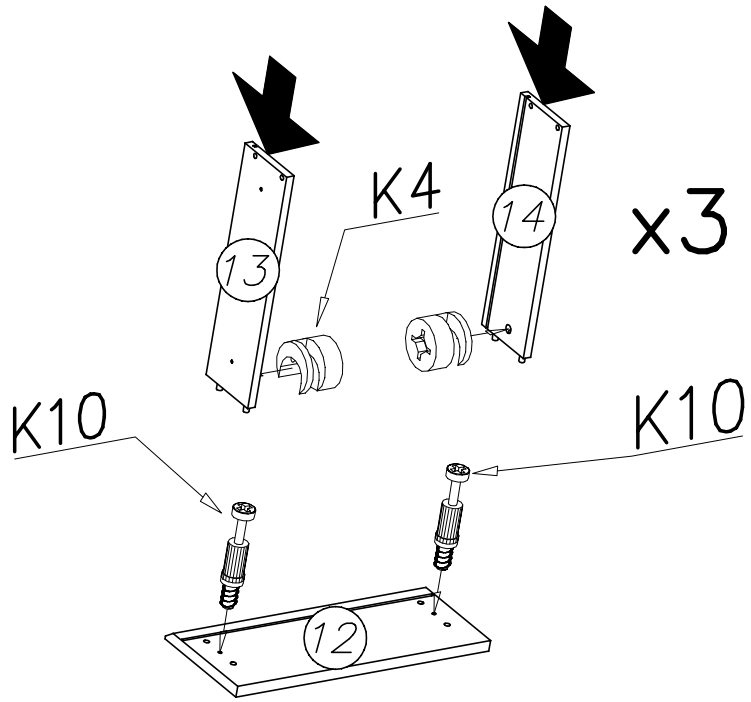
P



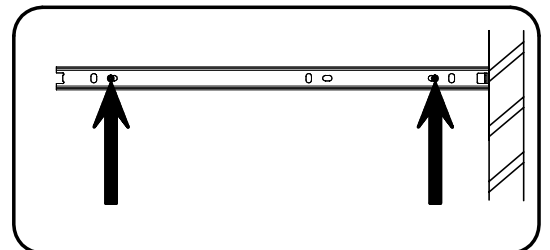
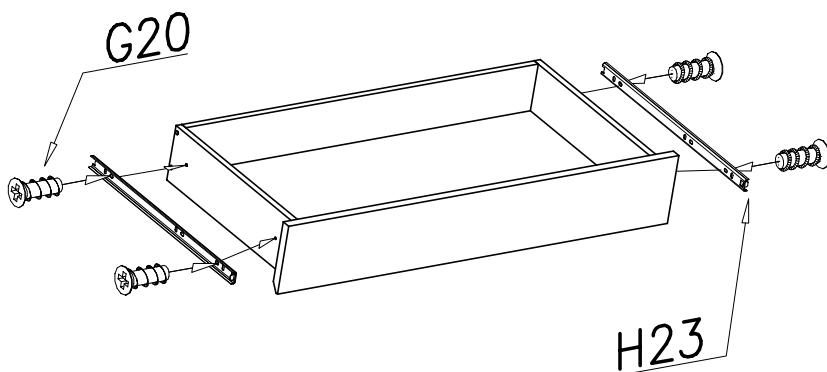
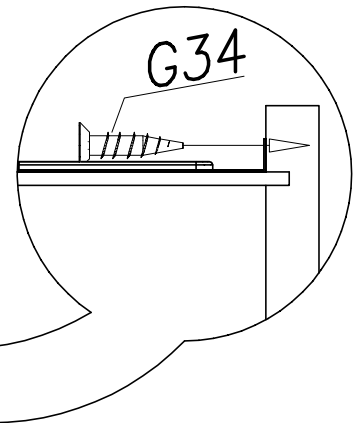
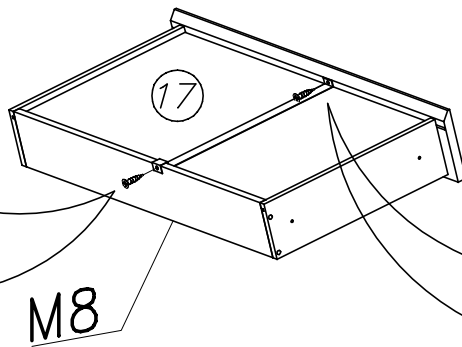
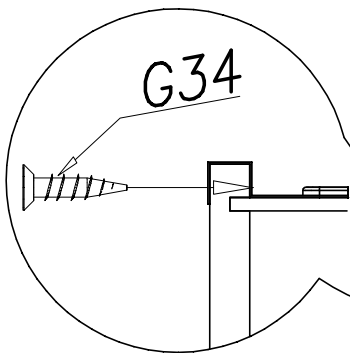
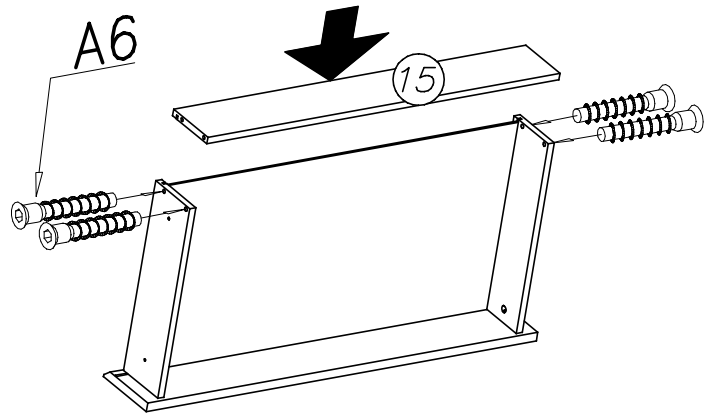
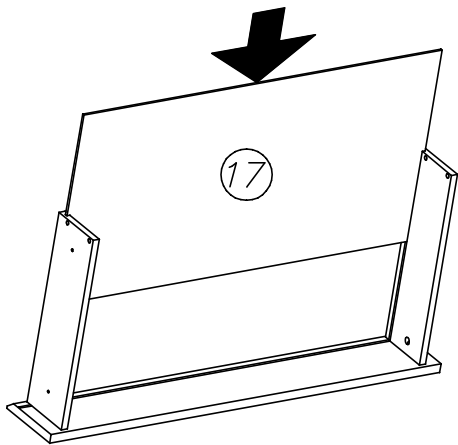
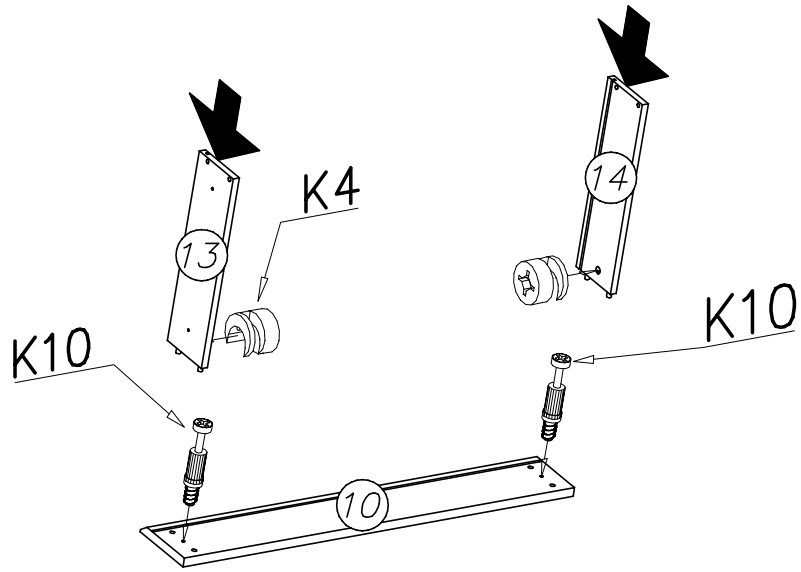
XI



XII

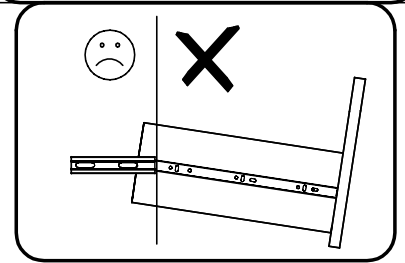
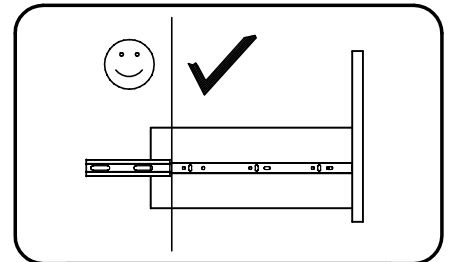
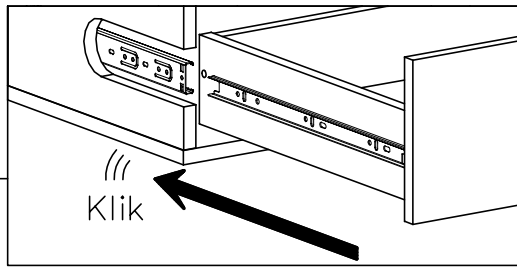
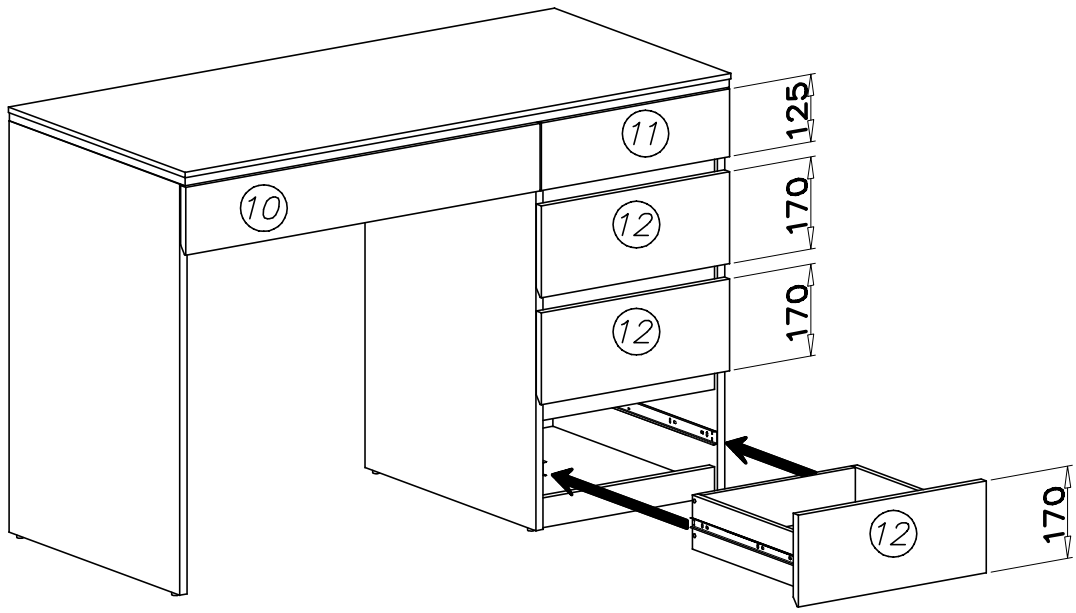


XIII



XIV

L



XIV

P

